

# HIDROMEK®

KAZICI YÜKLEYİCİ  
BACKHOE LOADER

**HMK 102S ALPHA**



## YEDEK PARÇA KATALOĞU SPARE PARTS CATALOG

SERİ NO / SERIAL NO : S140001- REXROTH  
BASKI TARİHİ / EDITION DATE : 30.09.2015  
KATALOG NO / CATALOG NO : Y1012725

CLICK HERE TO **DOWNLOAD** THE COMPLETE MANUAL

- Thank you very much for reading the preview of the manual.
- You can download the complete manual from: [www.heydownloads.com](http://www.heydownloads.com) by clicking the link below



- Please note: If there is no response to CLICKING the link, please download this PDF first and then click on it.

CLICK HERE TO **DOWNLOAD** THE COMPLETE MANUAL

## İÇİNDEKİLER / CONTENTS

F060.11.01	HİDROLİK TESİSAT, PİLOT (STD ARM & DİŞLİ POMPA) (TİP B) (OP)	HYDRAULIC PIPING, PİLOT (STD ARM & GEAR PUMP) (TYPE B) (OP)
F060.12.01	HİDROLİK TESİSAT, PİLOT (TELESKOPIK ARM & DİŞLİ POMPA) (TİP B) (OP)	HYDRAULIC PIPING, PİLOT (TELESCOPIC ARM & GEAR PUMP) (TYPE B) (OP)
F060.13.01	HİDROLİK TESİSAT, PİLOT (STD ARM & DİŞLİ POMPA & SOL EL) (TİP B) (OP)	HYDRAULIC PIPING, PİLOT (STD ARM & GEAR PUMP & LEFT HAND) (TYPE B) (OP)
F060.14.01	HİDROLİK TESİSAT, PİLOT (TELESKOPIK ARM & DİŞLİ POMPA & SOL EL) (TİP B) (OP)	HYDRAULIC PIPING, PİLOT (TELESCOPIC ARM & GEAR PUMP & LEFT HAND) (TYPE B) (OP)
F065.01.01	KUMANDA DEĞİŞTİRİCİ	PATTERN SHIFTER
F070.05.01	YÜKLEYİCİ HİDROLİK TESİSATI, SABİT KEPÇE (TİP B & DİŞLİ POMPA) (OP)	LOADER HYD. PIPING, SHOVEL (TYPE B & GEAR PUMP) (OP)
F070.07.01	YÜKLEYİCİ HİDROLİK TESİSATI, AÇILIR KEPÇE (TİP B & DİŞLİ POMPA) (OP)	LOADER HYD. PIPING, MULTIPURPOSE BUCKET (TYPE B & GEAR PUMP) (OP)
F070.08.01	KALDIRICI SİLİNDİR HİDROLİĞİ, YÜKLEYİCİ	CIRCUIT, RAM, LIFT, LOADER
F070.09.01	DEVİRİCİ SİLİNDİR HİDROLİĞİ, YÜKLEYİCİ	CIRCUIT, RAM, SHOVEL, LOADER
F070.11.01	YÜKLEYİCİ HİDROLİK TESİSATI, MSS (TİP B)	LOADER HYDRAULIC PIPING, MSS (TYPE B)
F070.15.01	YÜKLEYİCİ HİDROLİK TESİSATI, SABİT KEPÇE (TİP B & PİSTONLU POMPA) (OP)	LOADER HYD. PIPING, SHOVEL (TYPE B & PISTON PUMP) (OP)
F070.16.01	YÜKLEYİCİ HİDROLİK TESİSATI, AÇILIR KEPÇE (TİP B & PİSTONLU POMPA) (OP)	LOADER HYD.PIPING, MULTIPURPOSE BUCKET (TYPE B & PISTON PUMP) (OP)
F080.00.01	HORTUM TUTUCU SETİ (STD. ARM)	HOSE HOLDER SET (STD. ARM)
F080.01.01	HORTUM TUTUCU SETİ (TELESKOPIK) (OP)	HOSE HOLDER SET (TELESCOPIC ARM) (OP)
F090.01.01	HİDROLİK TESİSAT, AYAK SİLİNDİR	HYD. PIPING, STABILIZER CYLINDER
F090.02.01	HİDROLİK TESİSATI, AYAK SİLİNDİRİ (KAZ AYAK)	HYDRAULIC PIPING, RAM, STABILIZER (WING TYPE)
F090.03.01	HİDROLİK TESİSATI, AYAK SİLİNDİRİ (KAZ AYAK)	HYDRAULIC PIPING, RAM, STABILISER (WING TYPE)
F090.04.01	HİDROLİK TESİSAT, AYAK SİLİNDİRİ (TİP B)	HYDRAULIC PIPING, STABILIZER CYLINDER (TYPE B)
F100.01.01	HİDROLİK TESİSATI, SIKMA PİSTONU	HYDRAULIC PIPING, HYDROCLAMP
F110.02.01	HİDROLİK TESİSAT, DÖNÜŞ SİLİNDİRİ (TİP B)	HYDRAULIC PIPING, SWING CYLINDER (TYPE B)
F120.01.01	KAZICI HİDROLİK TESİSATI, BOM SİLİNDİRİ	BACKHOE HYD. PIPING, BOOM CYLINDER
F120.02.01	KAZICI HİDROLİK TESİSATI, BOM SİLİNDİRİ (KAZ AYAK)	BACKHOE HYDRAULIC PIPING, BOOM CYLINDER (WING TYPE STABILIZER)
F120.03.01	KAZICI HİDROLİK TESİSATI, BOM SİLİNDİRİ (EMNİYET VALFLİ, KAZ AYAK)	BACKHOE HYD.PIPING,BOOM CYLINDER(WITH SAFETY LOCK VALVE,WING TYPE STABILIZER)
F120.06.01	KAZICI HİDROLİK TESİSATI, BOM SİLİNDİRİ (TİP B)	BACKHOE HYDRAULIC PIPING, BOOM CYLINDER (TYPE B)
F130.00.01	KAZICI HİDROLİK TESİSATI, ARM SİLİNDİRİ	BACKHOE HYDRAULIC PIPING, ARM CYLINDER
F130.01.01	KAZICI HİDROLİK TESİSATI, ARM SİLİNDİRİ, EMNİYET VALFLİ	BACKHOE HYD. PIPING, ARM CYLINDER,WITH SAFETY LOCK VALVE
F130.02.01	KAZICI HİDROLİK TESİSATI, ARM SİLİNDİRİ (KAZ AYAK)	BACKHOE HYDRAULIC PIPING, ARM CYLINDER (WING TYPE STABILIZER)
F130.06.01	KAZICI HİDROLİK TESİSATI, ARM SİLİNDİRİ (TİP B)	BACKHOE HYDRAULIC SYSTEM, ARM CYLINDER (TYPE B)
F140.02.01	KAZICI HİDROLİK TESİSATI, KEPÇE SİLİNDİRİ (TELESKOPIK BOM & TİP B)	BACKHOE HYDRAULIC PIPING, BUCKET CYLINDER (TELESCOPIC BOOM & TYPE B)
F140.03.01	KAZICI HİDROLİK TESİSATI, KEPÇE SİLİNDİRİ (KAZ AYAK & TİP B)	HYD. PIPING, BUCKET CYLINDER (WING TYPE STABILIZER & TYPE B) (OP)
F140.04.01	KAZICI HİDROLİK TESİSATI, KEPÇE SİLİNDİRİ (TELESKOPIK BOM & TİP B)	BACKHOE HYDRAULIC PIPING, BUCKET CYLINDER (TELESCOPIC BOOM & TYPE B)
F140.06.01	KAZICI HİDROLİK TESİSATI, KEPÇE SİLİNDİRİ (TİP B)	BACKHOE HYDRAULIC PIPING, BUCKET CYLINDER (TYPE B)
F150.03.01	TEK ETKİLİ HİDROLİK TESİSATI (KIRICI & STD.ARM ) (TİP B)	SINGLE ACTING HYDRAULIC PIPING (BREAKER & STD.ARM ) (TYPE B)
F150.04.01	TEK ETKİLİ HİDROLİK TESİSATI (KIRICI & STD. ARM & LEVYE & KAZAYAK) (TİP B) (OP)	SINGLE ACTING HYD. PIPING(BREAKER & STD. ARM & LEVERS & WING TYPE)(TYPE B)(OP)
F150.05.01	TEK ETKİLİ HİDROLİK TESİSATI (KIRICI & STD.ARM & JY) (TİP B)	SINGLE ACTING HYDRAULIC PIPING (BREAKER & STD.ARM & JY) (TYPE B)

**MOTOR VE ŞANZİMAN MONTAJI (LUCK-UP)  
ENGINE & TRANSMISSION MOUNTING (LUCK-UP)**

No	Parça No	Parça Adı		Adet	S.K.	Bas.S.N	Bit.S.N	Y.K.	Not
No	Part no		Description	Qty	SC	S/N from	S/N to	ICA	Note
1	N030810001	PUL	WASHER	4					M12
2	N025910062	SOMUN	NUT	1					
3	01990090	MOTOR BAĞLANTI KULAĞI, ARKA- SAĞ	ENGINE MOUNTING BRACKET, REAR- RH	1					
4	N025910194	SOMUN	NUT	4					M16
5	N030810001	PUL	WASHER	2					
6	N010380602	CIVATA	BOLT	12					M10x40
7	80500077	PUL	WASHER	8					
8	N010671442	CIVATA	BOLT	4					M16x100
9	N102003325	O-RİNG	O-RING	1					
10	N010232846	CIVATA	BOLT	2					M12x30
11	N010232486	CIVATA	BOLT	16					M12x30
12	F9960021	BAĞLANTI TAKOZU	MOUNTING RUBBER	4					
13	N025910086	SOMUN	NUT	16					M10
14	80500047	PUL	WASHER	4					
15	01990108	MOTOR BAĞLANTI KULAĞI, SOL	ENGINE MOUNTING BRACKET, LH	1					
16	N010381238	CIVATA	BOLT	4					M16x55
17	N030020029	PUL	WASHER	4					M16
18	01990113	ŞANZİMAN BAĞLANTI KULAĞI, SOL	TRANSMISSION MOUNTING BRACKET, LH	1					
19	F9930030	FAN	FAN	1					
20	02040333	FLANŞ	FAN BRACKET	1					
21	N025910062	SOMUN	NUT	4					M8
22	N010232162	CIVATA	BOLT	4					M8x30
23	N010380554	CIVATA	BOLT	4					M8x110
24	N030810014	PUL	WASHER	4					M8
25	N025910062	SOMUN	NUT	1					M6
26	N077012508	KELEPÇE	CLAMP	2					
27	F0110272	KAPAK, YAĞ, MOTOR	COVER	1					
28	01890408	YAĞ SEVİYE ÇUBUĞU KOMPLESİ, ŞANZİMAN	TRANSMISSION OIL LEVEL CHECK ASS'Y	1					
29	01990112	ŞANZİMAN BAĞLANTI KULAĞI, SAĞ	TRANSMISSION MOUNTING BRACKET, RH	1					
30	81009552	MOTOR YAĞI DOLDURMA BORUSU	PIPE	1					
31	N010232090	CIVATA	BOLT	8					M8x16
32	N010232138	CIVATA	BOLT	1					M8x25
33	N030810015	PUL	WASHER	12					
34	N010380842	CIVATA	BOLT	4					M12x40
35	N030810014	PUL	WASHER	8					M8
36	N010232510	CIVATA	BOLT	8				C	M10x40
37	020003218	BRACKET, ŞANZİMAN BORUSU	BRACKET	1					
38	N010232438	CIVATA	BOLT	1					M10x20
39	N030810015	PUL	WASHER	1					
40	02019075	SAC, KELEPÇE BAĞLANTI	PLATE	1					
41	N010232822	CIVATA	BOLT	1					M12x25
42	N030810001	PUL	WASHER	1					M12
43	81404090	TAPA	PLUG	2					
44	N102001119	O-RİNG	O-RING	2					

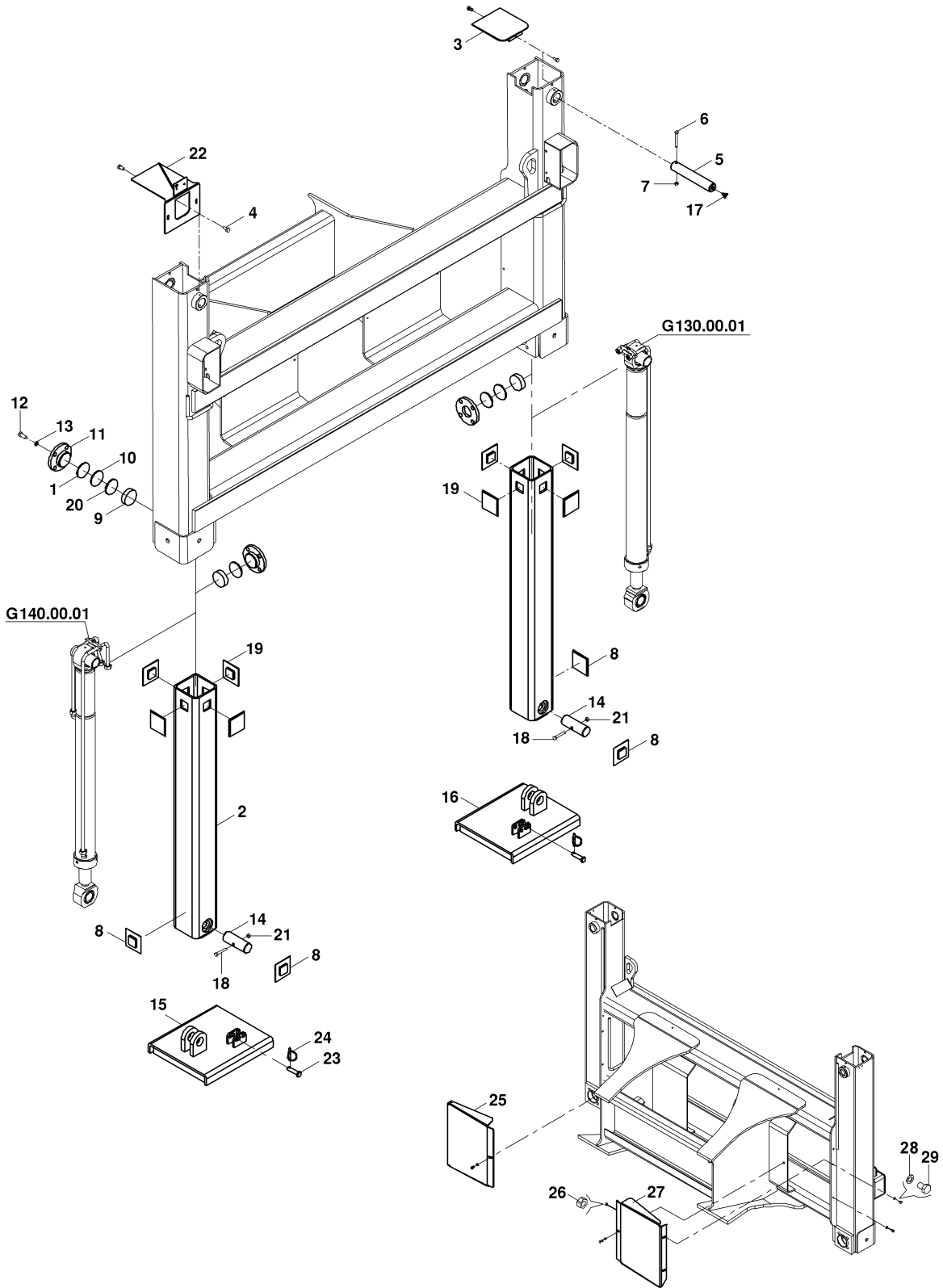
**MOTOR SOĞUTMA MONTAJI**  
**ENGINE COOLING MOUNTING**

No	Parça No	Parça Adı	Description	Adet	S.K.	Bas.S.N	Bit.S.N	Y.K.	Not
No	Part no			Qty	SC	S/N from	S/N to	ICA	Note
44	7013329240	HORTUM	HOSE	1					
45	7013329265	HORTUM	HOSE	1					
46	80628332	NİPEL	ADAPTER	2					
47	N102002929	O-RİNG	O-RING	2					
48	H130133015	FİTİL	WEATHER STRIP	0,3					METRE/METERS
49	N030810014	PUL	WASHER	4					M8
50	N010232114	CIVATA	BOLT	4					M8x20
51	81040563	PUL	WASHER	4					
52	01825900	REZERVUAR TANK	RESERVOIR TANK	1					
53	F9900760	TANK KAPAĞI, REZERVUAR	CAP, RESERVOIR TANK	1					
54	01921906	REZERVUAR TANK K.K	RESERVOIR TANK W.A	1					
55	81602423	YALITICI BAND	SEALING BAND	1					
56	02019114	SAC	PLATE	2					
57	N010231514	CIVATA	BOLT	4					M6x20
58	N030100013	PUL	WASHER	4					M6x20
59	N025910050	SOMUN	NUT	4					M6
60	01993213	BRAKET	BRACKET	1					
61	H069110055	HORTUM	HOSE	1					
62	N074010016	KELEPÇE	CLAMP	2					
63	N030810014	PUL	WASHER	4					M8x20
64	N010222114	CIVATA	BOLT	4					M8x20
65	N077001215	KELEPÇE	CLAMP	1					
66	N077001215	KELEPÇE	CLAMP	1					

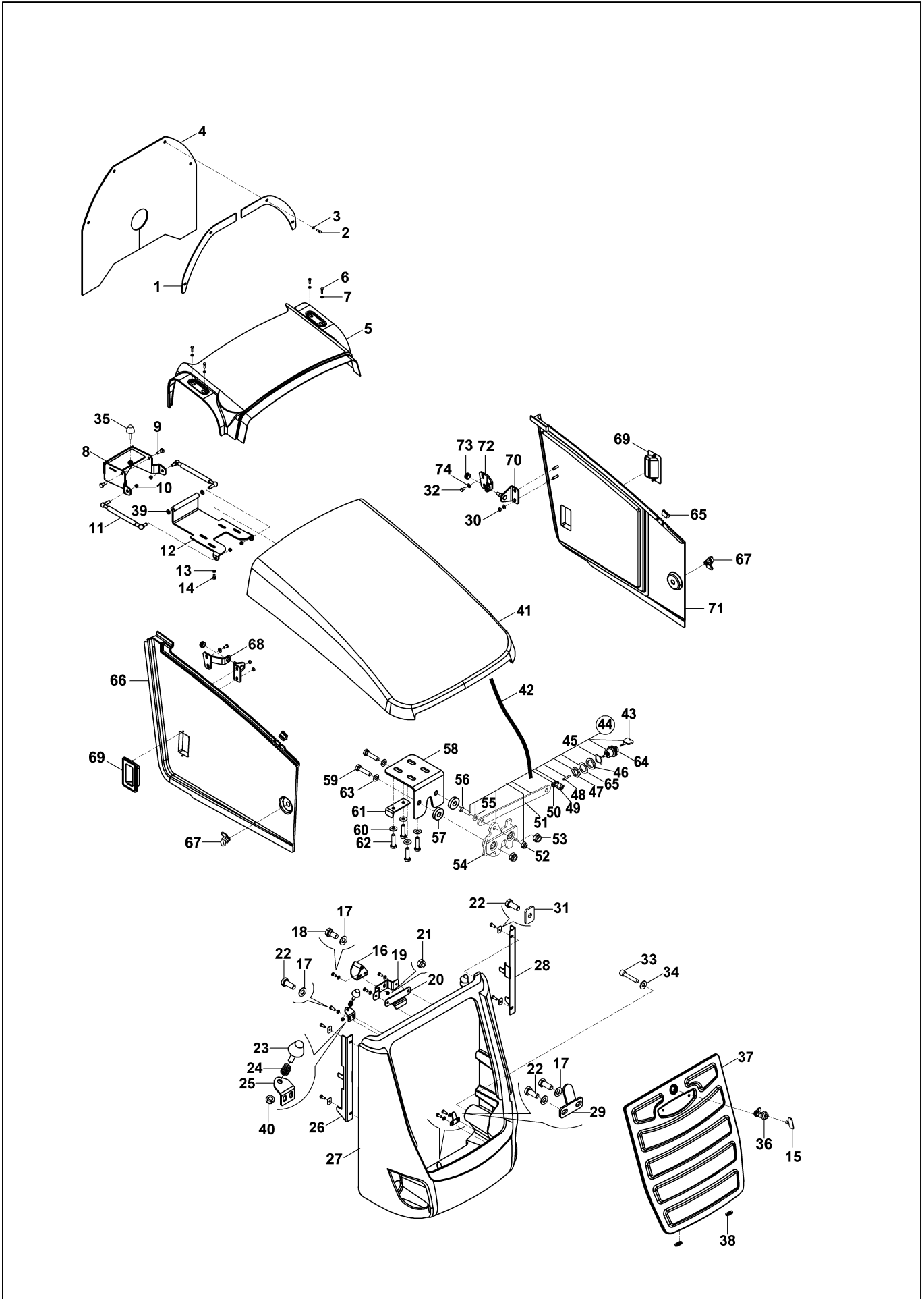
**ISITMA, HAVALANDIRMA SİSTEMİ**  
**HEATING VENTING SYSTEM**

No	Parça No	Parça Adı	Adet	S.K.	Bas.S.N	Bit.S.N	Y.K.	Not
No	Part no	Description	Qty	SC	S/N from	S/N to	ICA	Note
1	01750013	KLİMA ÜNİTESİ KOMPLESİ	1					
2	01829321	KLİMA ÜNİTESİ	1					
3	F3112023	YÖNLENDİRİCİ, İÇ-DIŞ HAVA	1					
4	02043056	BRAKET	1					
5	H067031508	HORTUM	1					
6	H067031508	HORTUM	1					
7	N030720006	PUL	2					
8	N010232114	CIVATA	3					M8x20
9	79901022	HORTUM, KALORİFER	1					
10	79901021	HORTUM, KALORİFER	1					
11	79901023	HORTUM	1					
12	N030020004	PUL	4					
13	N010231514	CIVATA	4					M6x20
14	N074016025	KELEPÇE	4					Ø16- Ø25
15	N049602042	VİDA	2					M6x16
16	51011700	KABLO BAĞI	3					
17	F9929201	VANA, KALORİFER	1					
18	H134201800	HORTUM KORUYUCU	2					
19	01910601	BRAKET	1					
20	52201033	KUMANDA PANELİ, KALORİFER	1					
21	N074016025	KELEPÇE	4					
22	N163500196	NİPEL	1					
23	80504300	PUL	4					
24	N030810014	PUL	4					
25	N010380410	CIVATA	4					M8x50
26	79905061	HORTUM, KLİMA	2					
27	01829673	HAVA KANALI KOMPLESİ	1					
28	02043007	HAVA KANALI	1					
29	81602015	CONTA	1					
30	02043001	HAVA KANALI	1					
31	N015890326	CIVATA	6					M6x25
32	N030100013	PUL	12					
33	N025910050	SOMUN	6					
34	F2520460	TAHLİYE LASTİĞİ	1					
35	79900120	HORTUM, KLİMA TAHLİYE	1					
36	79905063	HORTUM, KLİMA	1					
37	79905064	HORTUM, KLİMA	1					
38	79905062	HORTUM, KLİMA	1					
39	79905058	HORTUM, KLİMA	1					
40	N074016027	KELEPÇE	1					
41	79905060	HORTUM, KLİMA	1					
42	N074040070	KELEPÇE	4					
43	N010232486	CIVATA	5					M10x30
44	N030810015	PUL	5					M10

### ŞAŞI AYAK KOMPLESİ CHASSIS STABILIZER ASS'Y



### KAPORTA KOMPLESI BONNET ASS'Y



**KABİN İSKELET KOMPLESİ  
CABINE FRAME ASS'Y.**

No	Parça No	Parça Adı	Adet	S.K.	Bas.S.N	Bit.S.N	Y.K.	Not
No	Part no	Description	Qty	SC	S/N from	S/N to	ICA	Note
1	F3210775	KABİN						
2	F9960023	BAĞLANTI TAKOZU	4					
3	N025900242	SOMUN	4					M20
4	80500074	PUL	8					
5	F9960024	BAĞLANTI TAKOZU	1					
6	F9960025	BAĞLANTI TAKOZU	1					
7	N010381908	CIVATA	4					M20x130

**KABİN  
CABIN**

No	Parça No	Parça Adı	Adet	S.K.	Bas.S.N	Bit.S.N	Y.K.	Not
No	Part no	Description	Qty	SC	S/N from	S/N to	ICA	Note
1	F3300600	ARKA CAM KOMPLESİ	1					
2	F3321014	CAM, ARKA	1					
3	S3300615	ÇERCEVE K.M., ARKA CAM	1					
4	S3300640	KİLİT KOMPLESİ, SOL	1					
5	N030100013	PUL	12					M6
6	N015890314	CIVATA	12					M6x20
7	S3300650	BRAKET, MEKANİZMA BAĞLANTISI	2					
8	N025910062	SOMUN	6					M8
9	N030020011	PUL	6					M8
10	S3300625	MEKANİZMA KOLU	1					
11	N030020018	PUL	2					M10
12	S3300630	AMORTİSÖR, ARKA CAM	2					
13	S3300655	FİTİL	2					
14	S3300610	MAKARA YATAĞI	2					
15	S3300635	MAKARA	2					
16	S3300645	KİLİT KOMPLESİ, SOL	1					
17	S3300660	PLASTİK KAPAK	1					
18	S3300665	PLASTİK KAPAK	1					
19	S3300620	FİTİL	1					
20	N010222090	CIVATA	4					M8x16
21	N030108017	PUL	4					
22	01992636	KİLİT KARŞILIĞI	2					
23	02021372	SAC	2					
24	F3321002	CAM, ÖN	1					
25	F3321041	CAM, ÖN, SAĞ ALT	1					
26	F3321046	CAM, ÖN, SOL ALT	1					
27	81014418	PİM	2					
28	N156450958	PİM	2					
29	N015870314	CIVATA	2					M6x20
30	N030100013	PUL	2					M6
31	02012352	SAC	1					
32	55400601	KONNEKTÖR, 4'LÜ KONTAKT, ERKEK	1					
33	55400611	KONNEKTÖR, 4'LÜ KONTAKT, DIŞI	1					
34	02012353	SAC	1					
35	81400155	CIVATA KAPAĞI	4					
36	N016010470	CIVATA	2					M8x25
37	81600618	FİTİL, ARKA, ÜST	1					

**KABİN İÇİ KOMPLE**  
**INSIDE CABIN ASS'Y.**

No	Parça No	Parça Adı	Adet	S.K.	Bas.S.N	Bit.S.N	Y.K.	Not
No	Part no	Description	Qty	SC	S/N from	S/N to	ICA	Note
1	01829664	KAPLAMA KOMPLESİ,SOL YAN	1					
2	02043034	KAPLAMA, SOL YAN	1					
3	F9960405	MENTEŞE	2					
4	N041210194	SAC VİDASI	4					Ø3.9x13
5	81600720	FİTİL	1					
6	02043035	TORPİDO KAPAĞI	1					
7	F9960031	BRAKET	1					
8	F9951011	AMORTİSÖR	1					
9	F9960032	PİM, AMORTİSÖR	1					
10	N041210194	SAC VİDASI	2					Ø3.9x13
11	N049602042	VİDA	4					M6x16
12	01829668	KAPLAMA, SOL YAN DİREK	1					
13	02043033	KAPLAMA, SOL YAN DİREK	1					
14	F2520514	HAVA MENFEZİ	1					
15	F2520506	HAVA MENFEZİ	2					
16	02043055	SAC	1					
17	N049602042	VİDA	2					M6x16
18	F3220183	CEP, SOL DİREK	1					
19	N049602042	VİDA	8					M6x16
20	81040084	GROMET	1					

**KOLTUK KOMPLESİ  
SEAT ASSEMBLY**

No	Parça No	Parça Adı	Adet	S.K.	Bas.S.N	Bit.S.N	Y.K.	Not
No	Part no	Description	Qty	SC	S/N from	S/N to	ICA	Note
0	F4700251	KOLTUK KOMPLESİ	1					
1	S4700401	ARKALIK SÜNGERİ	1					
2	S4700402	OTURAK SÜNGERİ	1					
3	S4700403	ELCIK	1					
4	S4700404	KOLTUK BAŞLIĞI	1					
5	S4700405	EMNİYET KEMERİ	1					
6	S4700406	OTURAK SACI KOMPLESİ	1					
7	S4700407	KAPLAMA	1					
9	S4700409	KOLÇAK, SOL	1					
10	S4700410	OTURAK SACI	1					
11	S4700411	ELCIK KOMPLESİ	1					
12	S4700412	ARKALIK AYAR SAC KİTİ	1					
13	S4700413	KOLÇAK, SAĞ	1					
14	S4700414	KAPLAMA	1					
15	H909065021	OTURAK SACI	1					
16	H909065024	KAPLAMA	1					
17	H909065025	ELCIK	1					
18	S4700415	ARKALIK	1					
19	S4700416	BEL DESTEĞİ KOMPLESİ	1					
20	S4700417	ELCIK KOMPLESİ	1					
21	H909065030	AYAR LEVYE KOMPLESİ	1					
23	S4700419	TETİKLEME KOLU	1					
24	S4700345	KIZAK KOMPLESİ	1					
25	S4700420	ARKALIK POZİSYON MANDALI KOMPLESİ	1					
26	S4700421	KAPAK	1					
27	S4700422	SAKLAMA KUTUSU	1					
28	S4700301	DÖNER ADAPTÖR KOMP.	1					
29	S4700423	TOPUZ, İLERİ GERİ AYAR KOLU	1					
30	S4700424	ESNEME, ÜST	1					
31	S4700290	KÖRÜK	1					
32	S4700275	AMORTİSÖR	1					
33	S4700425	AYAR KOLU	1					
34	S4700263	BASKI PULU KİTİ	1					
35	S4700288	AĞIRLIK AYARI	1					
36	S4700268	YATAK KOLU	1					
37	S4700289	ESNEME, ALT	1					
39	S4700291	AĞIRLIK GÖSTERGESİ	1					
40	S4700426	ELCIK KOMPLESİ	1					
41	S4700295	AYAR KOLU	1					
42	S4700287	YATAK KİTİ	1					
43	S4700286	KEMER	1					
44	S4700427	DESTEK SACI K.K.	1					
45	S4700428	MAKAS	1					
46	S4700500	ESNEME KOMPLESİ	1					
47	S4700302	YAY	1					

**YÜKLEYİCİ KOMPLESİ  
LOADER ASS'Y.**

No	Parça No	Parça Adı	Adet	S.K.	Bas.S.N	Bit.S.N	Y.K.	Not
No	Part no	Description	Qty	SC	S/N from	S/N to	ICA	Note
1	01911602	BAĞLANTI KOLU KOMPLESİ	2					
2	80201218	BURÇ	2					
3	N050760018	SEGMAN	8					
4	01993035	BAĞLANTI SACI K.K.	1					
5	80105070	PİM	4					
6	80111110	PİM	2					
7	N081210020	GRESÖRLÜK	6					
8	01993036	BAĞLANTI SACI K.K.	1					
9	80119160	PİM	2					
10	02001607	BAĞLANTI SACI	2					
11	01911323	BAĞLANTI SACI	1					
12	80105066	PİM	2					
13	80111100	PİM	2					
14	01911333	BAĞLANTI SACI	1					
15	N010371010	CIVATA	2					M12x120
16	80500485	PUL	8					
17	N050020090	SEGMAN	2					
18	80500510	PUL	2					
19	01813168	YÜKLEYİCİ GÖVDESİ	1					
20	01910232	YÜKLEYİCİ	1					
21	80202680	BURÇ	4					
22	80201218	BURÇ	2					
23	80201076	BURÇ	2					
24	80201516	BURÇ	2					
25	01911163	BAĞLANTI KOLU KOMPLESİ	2					
26	80201218	BURÇ	2					
27	80201355	BURÇ	2					
28	80118111	PİM	1					
29	81300114	CIVATA	1					
30	N010371022	CIVATA	2					M12x130
31	N010370998	CIVATA	2					M12x110
32	N025910122	SOMUN	6					M12
33	02021199	BİLEZİK	2					
34	N081210020	GRESÖRLÜK	6					
35	80500542	PUL	4					
36	N050020104	SEGMAN	4					
37	80105068	PİM	2					
38	01993033	BAĞLANTI SACI K.K.	1					
39	01993034	BAĞLANTI SACI K.K.	1					
40	N050020090	SEGMAN	2					
41	80500510	PUL	2					
42	N050760018	SEGMAN	2					
43	80500485	PUL	2					
44	80102076	PİM	2					
45	N010370470	CIVATA	2					M8x70
46	N025910062	SOMUN	2					M8
47	N030221252	CONTA	2					

**AÇILIR KEPÇE KOMPLESİ**  
**MULTIPURPOSE BUCKET ASS'Y, LOADER**

No	Parça No	Parça Adı	Description	Adet	S.K.	Bas.S.N	Bit.S.N	Y.K.	Not
No	Part no			Qty	SC	S/N from	S/N to	ICA	Note
0	01759006	AÇILIR KEPÇE KOMPLESİ	MULTIPURPOSE BUCKET ASS'Y, LOADER	1					
2	06010647	AÇILIR KEPÇE K.K.	SHOVEL, CLAM W.A.	1					
3	80102016	PİM	PIN	2					
4	N015890535	CIVATA	BOLT	2					M8x75
5	N025910062	SOMUN	NUT	4					M8
6	80104096	PİM	PIN	2					
7	N081210020	GRESÖRLÜK	GREASE NIPPLE	4					
8	N073016003	KELEPÇE	CLAMP BODY	4					
9	N073016002	KELEPÇE ÜST PARÇASI	COVER, CLAMP	2					
10	N010232186	CIVATA	BOLT	2					M8x40
11	81400362	KELEPÇE ALTLIĞI	CLAMP SUPPORT	2					
12	45250813	BORU KOMPLESİ	PIPE ASS'Y	2					
13	663112N098	HORTUM KOMPLESİ	HOSE ASS'Y	2					
14	6631126098	HORTUM KOMPLESİ	HOSE ASS'Y	4					
15	01992200	BRAKET	BRACKET	1					
16	N030810015	PUL	WASHER	2					M10
17	66422MB092	HORTUM KOMPLESİ	HOSE ASS'Y	1					
18	664222B092	HORTUM KOMPLESİ	HOSE ASS'Y	1					
19	06020709	SABİT KANAT BIÇAK MONTAJI	BLADE, BACK	1					
20	81010605	TIRNAK	TOOTH	8					
21	N015610145	CIVATA	BOLT	16					
22	N028660481	SOMUN	NUT	16					
23	06020710	SABİT KANAT K.K.	BACK SIDE, MULTIPURPOSE BUCKET	1					
24	06020708	ÇENE, AÇILIR KEPÇE, HAREKETLİ	JAW, MULTIPURPOSE BUCKET	1					
25	80104098	PİM	PIN	2					
26	N010232282	CIVATA	BOLT	2					M8x80
27	N025910062	SOMUN	NUT	2					M8
28	N010380493	CIVATA	BOLT	2					M8x80
29	N010232438	CIVATA	BOLT	2					M10x20
30	80630530	NİPEL	ADAPTER	1					
31	80400632	SOMUN	NUT, SPECIAL	2					
32	80630540	NİPEL	ADAPTER	1					
33	02021325	KISICI	RESTRICTOR	1					
34	N102001923	O-RİNG	O-RING	1					
35	80624070	NİPEL	ADAPTER	1					
36	N074080100	KELEPÇE	CLAMP	2					
37	02021737	ÖN BIÇAK	CUTTING EDGE	1					
38	N044331118	CIVATA	SCREW	10					M14x40
39	N030100026	PUL	WASHER	10					M14
40	N023580290	SOMUN	NUT	10					M14

**SABİT KEPÇE MONTAJI  
SHOVEL MOUNTING**

No	Parça No	Parça Adı	Adet	S.K.	Bas.S.N	Bit.S.N	Y.K.	Not
No	Part no	Description	Qty	SC	S/N from	S/N to	ICA	Note
1	06020298	SABİT KEPÇE	1					
2	N028660481	SOMUN	20					
3	81010605	TIRNAK	10					
4	N015610145	CIVATA	20					

**TESVİYE KÜREĞİ (ÇABUK SÖK TAKLI 900x2800)**  
**LEVELLING BLADE (WITH QUICK COUPLER 900x2800)**

No	Parça No	Parça Adı	Description	Adet	S.K.	Bas.S.N	Bit.S.N	Y.K.	Not
No	Part no			Qty	SC	S/N from	S/N to	ICA	Note
0	06210530	TESVİYE KÜREĞİ KOMPLESİ	LEVELLING BLADEASS'Y	1					
2	N010232798	CIVATA	BOLT	4					M12x20
3	81109230	PİM	PIN	2					
4	81109220	PİM	PIN	2					
5	N081210020	GRESÖRLÜK	GREASE NIPPLE	6					
6	02021076	ÖN BIÇAK, SOL	CUTTING EDGE, LH	1					
7	02021075	ÖN BIÇAK, SAĞ	CUTTING EDGE, RH	1					
8	N023580314	SOMUN	NUT	18					M16
9	N044321274	CIVATA	BOLT	18					M16x50
10	02010997	KÜREK SACI	PLATE, PUSHER	1	OP				
11	N044331274	CIVATA	BOLT	8	OP				M16x50
12	N023570314	SOMUN	NUT	8	OP				M16
13	6511120060	HORTUM KOMPLESİ	HOSE ASS'Y	2					
14	6642225055	HORTUM KOMPLESİ	HOSE ASS'Y	1					
15	6642223055	HORTUM KOMPLESİ	HOSE ASS'Y	1					
16	06210532	TESVİYE KÜREĞİ	BLADE, LEVELLING	1					
17	81109235	PİM	PIN	1					
18	06220502	BIÇAK K.K.	BLADE W.A.	1					
19	06220530	ARKALIK KOMPLESİ, TESVİYE KÜREĞİ	BACK SUPPORT ASS'Y, LEVELLING BLADE	1					
20	80403000	SOMUN	NUT	1					
21	N010232078	CIVATA	BOLT	1					M8x16
22	N030810002	PUL	WASHER	18					
23	N030810002	PUL	WASHER	8					
24	N030810001	PUL	WASHER	4					

**TOMRUK YÜKLEYİCİ, (HAREKETLİ, Ø500mm)**  
**LOG GRAPPLE, (WITH VERTICAL MOVEMENT Ø500mm)**

No	Parça No	Parça Adı		Adet	S.K.	Bas.S.N	Bit.S.N	Y.K.	Not
No	Part no		Description	Qty	SC	S/N from	S/N to	ICA	Note
46	N010222114	CIVATA	BOLT	4					M8x20
47	6631121075	HORTUM KOMPLESİ	HOSE ASS'Y	1					
48	N073020002	KELEPÇE ÜST PARÇASI	COVER, CLAMP	1					
49	N010380410	CIVATA	BOLT	1					M8x50
50	N030000004	O-RİNGLİ PUL	WASHER	1					

**ÇABUK SÖK-TAK MONTAJI**  
**QUICK COUPLER MOUNTING**

No	Parça No	Parça Adı	Description	Adet	S.K.	Bas.S.N	Bit.S.N	Y.K.	Not
No	Part no			Qty	SC	S/N from	S/N to	ICA	Note
0	01765000	ÇABUK SÖK-TAK MONTAJI	QUICK COUPLER MOUNTING	1					
1	06811111	ÇABUK SÖK-TAK KOMPLESİ	QUICK COUPLER ASS'Y	1					
2	06890201	ARKALIK K.K., SAĞ-DIŞ	SUPPORT W.A., RH-OUTER	1					
3	N156452538	PİM	PIN	2					
4	02021012	BORU	PIPE	2					
5	02021003	ARA PARÇA	PLATE	2					
6	06890211	ARKALIK K.K., SAĞ-İÇ	SUPPORT W.A., RH-INNER	1					
7	N030810002	PUL	WASHER	8					M16
8	N010223578	CIVATA	BOLT	8					M16x40
9	81014452	MİL	ROD	1					
10	02002227	BRAKET	BRACKET	1					
11	06890221	DESTEK K.K.	SUPPORT W.A	1					
12	N015892018	CIVATA	BOLT	2					M8x20
13	N030020111	PUL	WASHER	2					M8
14	06890216	ARKALIK K.K., SOL-İÇ	SUPPORT W.A., LH-INNER	1					
15	06890206	ARKALIK K.K., SOL-DIŞ	SUPPORT W.A., LH-OUTER	1					
16	N130020295	PERÇİN	RIVET	4					
17	02021301	ARA SAC	PLATE	2					
18	N044321262	CIVATA	BOLT	8					M16x40
19	N025900194	SOMUN	NUT	4					M16x40
20	N010223590	CIVATA	BOLT	6					M16x40
21	80624324	NİPEL	ADAPTER	2					
22	N169900070	ÇABUK BAĞLANTI KOMPLESİ	QUICK COUPLING KIT, G3/8"	2					
23	80603312	NİPEL	ADAPTER	2					
24	N030000015	O-RİNGLİ PUL	WASHER	4					
25	02021304	BLOK, VALF	VALVE BLOCK	1					
26	N030000005	O-RİNGLİ PUL	WASHER	4					
27	80624316	NİPEL	ADAPTER	3					
28	N183570164	YÜKSÜK	RING	1					
29	N173570164	YÜKSÜKLÜ SOMUN	NUT	1					
30	80602117	NİPEL	ADAPTER	1					
31	N140010650	KÜRESEL VANA	BALL VALVE	1					
32	N163430940	NİPEL	ADAPTER	2					
33	664222B072	HORTUM KOMPLESİ	HOSE ASS'Y	2					
34	6020021037	HORTUM KOMPLESİ	HOSE ASS'Y	2					
35	N163570143	T ADAPTÖR	TEE	1					
36	602002K031	HORTUM KOMPLESİ	HOSE ASS'Y	1					
37	N015892018	CIVATA	BOLT	1					M20x45
38	02021009	BORU	PIPE	1					
39	N025910122	SOMUN	NUT	2					M12
40	N183570164	YÜKSÜK	RING	1					
41	N173570164	YÜKSÜKLÜ SOMUN	NUT	1					
42	N010380986	CIVATA	BOLT	2					M12x100
43	02021007	BİLEZİK, PİM SABİTLEME	STOPPER, PIN	2					
44	80104115	PİM	PIN	2					

**KEPÇE KOMPLESİ, KAZICI, 300mm  
BUCKET ASS'Y, BACKHOE, 300mm**

No	Parça No	Parça Adı	Description	Adet	S.K.	Bas.S.N	Bit.S.N	Y.K.	Not
No	Part no			Qty	SC	S/N from	S/N to	ICA	Note
0	01760008	KEPÇE KOMPLESİ, KAZICI, 300mm	BUCKET ASS'Y, BACKHOE, 300mm	1	OP				
2	06123010	KEPÇE K.K., KAZICI, 300mm	BUCKET W.A., BACKHOE, 300mm	1	OP				
3	81010630	TIRNAK, SAĞ	TOOTH, RH	1					
4	N015610145	CIVATA	BOLT	4					W5/8"X11T
5	N028660481	SOMUN	NUT	6					W5/8"X11T
6	N015610109	CIVATA	BOLT	2					5/8"x38mm
7	81010640	TIRNAK, SOL	SIDE CUTTER, LEFT	1					

**KEPÇE KOMPLESİ, KAZICI, 700mm  
BUCKET ASS'Y, BACKHOE, 700mm**

No	Parça No	Parça Adı	Description	Adet	S.K.	Bas.S.N	Bit.S.N	Y.K.	Not
No	Part no			Qty	SC	S/N from	S/N to	ICA	Note
0	01760004	KEPÇE KOMPLESİ, KAZICI, 700mm	BUCKET ASS'Y, BACKHOE, 700mm	1	OP				
2	06127000	KEPÇE K.K., KAZICI, 700mm	BUCKET W.A., BACKHOE, 700mm	1	OP				
3	81010630	TIRNAK, SAĞ	TOOTH, RH	1					
4	81010605	TIRNAK	TOOTH	2					
5	N015610145	CIVATA	BOLT	8					W5/8"X11T
6	N028660481	SOMUN	NUT	10					W5/8"X11T
7	N015610109	CIVATA	BOLT	2					5/8"x38mm
8	81010640	TIRNAK, SOL	SIDE CUTTER, LEFT	1					

**KEPÇE, KAZICI (TRAPEZ)**  
**BUCKET, BACKHOE (TRAPEZE)**

No	Parça No	Parça Adı	Description	Adet	S.K.	Bas.S.N	Bit.S.N	Y.K.	Not
No	Part no			Qty	SC	S/N from	S/N to	ICA	Note
1	06120200	KEPÇE K.M, KAZICI (TRAPEZ)	BUCKET W.A, BACKHOE (TRAPEZE)	1					

**KIRICI MONTAJI (MONTABERT SC28) (OP)**  
**BREAKER MOUNTING (MONTABERT SC28) (OP)**

No	Parça No	Parça Adı	Description	Adet	S.K.	Bas.S.N	Bit.S.N	Y.K.	Not
No	Part no			Qty	SC	S/N from	S/N to	ICA	Note
0	01773009	KIRICI MONTAJI, MONTABERT	BREAKER MOUNTING, MONTABERT	1					
1	07520200	BRACKET	BRACKET	1					
2	N169900102	ÇABUK BAĞLANTI	QUICK COUPLING	1					
3	F9900350	KORUYUCU BAŞLIK	PROTECTION CAP	1					
4	F9900351	KORUYUCU BAŞLIK	PROTECTION CAP	1					
5	N169900101	ÇABUK BAĞLANTI	QUICK COUPLING	1					
6	80624100	NİPEL	ADAPTER	2					
7	N102002329	O-RİNG	O-RING	2					
8	66644M1190	HORTUM KOMPLESİ	HOSE ASS'Y	2					
9	N030000025	O-RİNGLİ PUL	WASHER	2					
10	80624230	NİPEL	ADAPTER	2					

**KIRICI KOMPLESİ (ALICON B70) (OP)  
BREAKER ASSEMBLY (ALICON B70) (OP)**

No	Parça No	Parça Adı	Description	Adet	S.K.	Bas.S.N	Bit.S.N	Y.K.	Not
No	Part no			Qty	SC	S/N from	S/N to	ICA	Note
43	S4515560	SAPLAMA TAKIMI	THROUGH BOLT SET	1	K4				
44	S4515519	VALF KUTUSU	CASE, VALVE	1					
45	S4514993	VALF	VALVE	1					
46	S4514938	O-RİNG	O-RING	1					
47	S4515565	KAPAK SACI, VALF	PLATE, VALVE	1					
48	S4515470	PUL	WASHER, NORD-LOCK	4					
49	S4515480	CIVATA	BOLT	4					
50	S4514933	O-RİNG	O-RING	2					
51	S4514937	O-RİNG	O-RING	2					
52	S4515010	TAPA	PLUG	1					

**KIRICI KOMPLESİ (TOKU 6 M) (OP)**  
**BREAKER ASSEMBLY (TOKU 6M) (OP)**

No	Parça No	Parça Adı	Adet	S.K.	Bas.S.N	Bit.S.N	Y.K.	Not
No	Part no	Description	Qty	SC	S/N from	S/N to	ICA	Note
0	F4502960	KIRICI KOMPLESİ, TOKU	1					
1	S4502998	SİLİNDİR KOMPLESİ, KIRICI	1	(K1)				
2	S4503000	SİLİNDİR	1	K1				
4	S4502982	TAPA	1	K1				
5	S4502980	TAPA	1					
6	S4502922	HELİKOİL	8	K1				
8	S4503002	KAPAK, SİLİNDİR	1					
9	S4502980	TAPA	2					
12	S4503004	PİSTON	1					
13	S4503006	GÖVDE KOMPLESİ, KIRICI UCU	1	(K2)				
14	S4503007	GÖVDE, KIRICI UCU	1	K2				
15	S4502924	HELİKOİL	4	K2				
16	S4502978	TAPA	1	K2				
17	S4502992	TAPA	1	K2				
19	S4502996	BURÇ, KIRICI UCU	1	K2				
20	S4502994	BURÇ, TUTUCU, KIRICI UCU	1	K2				
21	S4502926	O-RİNG	1	K3				
23	S4502988	PLUG, RETAINER PIN	5	K2				
24	S4503010	PİM	2					
25	S4503012	PİM, DURDURUCU	5	K2				
29	S4502984	NİPEL, GRES	1	K2				
30	S4502990	PLUG, RETAINER PIN	2					
34	S4502900	CONTA TAKIMI	1					
35	S4503020	BURÇ, SIKIŞTIRMA	1					
36	S4502960	KEÇE	1	K3				
37	S4502962	KEÇE, YAĞ	1	K3				
38	S4502968	KEÇE, SIYIRICI	1	K3				
42	S4502938	O-RİNG	2	K3				
43	S4502940	O-RİNG	1	K3				
46	S4502964	KEÇE, YAĞ	1	K3				
47	S4502958	TOZ KEÇESİ	1	K3				
52	S4502938	O-RİNG	2	K3				
53	S4502932	O-RİNG	2	K3				
54	S4502952	BACK-UP RİNG	2	K3				
55	S4503032	TAPA, SİLİNDİR	1					
56	S4502942	O-RİNG	1	K3				
57	S4502928	O-RİNG	1	K3				
58	S4502948	BACK-UP RİNG	1	K3				
59	S4503030	TAPA, SİLİNDİR	1					
60	S4502944	O-RİNG	1	K3				
61	S4502930	O-RİNG	1	K3				
62	S4502950	BACK-UP RİNG	1	K3				
65	S4503036	SAPLAMA	4					
66	S4502986	PUL	4					
67	S4502976	SOMUN	4					
70	S4503038	VALF	1					
71	S4503022	VALF KUTUSU	1					

**KIRICI MONTAJI (MONTABERT 95) (OP)**  
**BREAKER MOUNTING (MONTABERT 95) (OP)**

No	Parça No	Parça Adı	Description	Adet	S.K.	Bas.S.N	Bit.S.N	Y.K.	Not
No	Part no			Qty	SC	S/N from	S/N to	ICA	Note
0	01773004	KIRICI MONTAJI, MONTABERT	BREAKER MOUNTING, MONTABERT	1					
1	F4504010	KIRICI MONTAJI, MONTABERT-95	BREAKER MOUNTING, MONTABERT- 95	1					
2	80624101	NİPEL	ADAPTER	2					NB+EKKV
3	N030000025	O-RİNGLİ PUL	WASHER	2					
4	6664426210	HORTUM KOMPLESİ	HOSE ASS'Y	1					NB+EKKV
5	N169900101	ÇABUK BAĞLANTI	QUICK COUPLING	1					
6	N169900102	ÇABUK BAĞLANTI	QUICK COUPLING	1					
7	F9900351	KORUYUCU BAŞLIK	PROTECTION CAP	1					
8	F9900350	KORUYUCU BAŞLIK	PROTECTION CAP	1					
9	S4514206	KIRICI UCU, SİVRİ	CHISEL, MOIL POINT	1	OP				
9	S4514207	KIRICI UCU, KESKİ	CHISEL, FLAT	1	OP				
9	S4514138	KIRICI UCU, KÖR	CHISEL, BLUNT	1	OP				
10	S4514065	GRES POMPASI	GREASE PUMP	1					
11	S4514238	GRES KARTUŞU	GREASE CARTRIDGE	1					

**KIRICI KOMPLESİ (DEMO S700V) (OP)**  
**BREAKER ASSEMBLY (DEMO S700V) (OP)**

No	Parça No	Parça Adı	Description	Adet	S.K.	Bas.S.N	Bit.S.N	Y.K.	Not
No	Part no			Qty	SC	S/N from	S/N to	ICA	Note
46	S4515035	VURUŞ AYARLAYICI	ADJUST ASS'Y	1					
47	S4515014	TAPA	PLUG, HEX. SOCKET	1					
48	S4514925	O-RING	O-RING	1					
49	S4514967	MERKEZLEME PİMİ	KNOCK PIN	2					
50	S4514940	KEÇE TAKIMI	SEAL SET	1					
100	S4514946	SAPLAMA TAKIMI	THROUGH BOLT SET	1					

**RİPER MONTAJI  
RIPPER MOUNTING**

No	Parça No	Parça Adı	Adet	S.K.	Bas.S.N	Bit.S.N	Y.K.	Not
No	Part no	Description	Qty	SC	S/N from	S/N to	ICA	Note
0	06510100	RİPER	1					
1	06520100	RİPER K.K.	1					
2	81010655	TIRNAK, RİPER	1					
3	N156453438	PİM	1					



**ÖN AKS, POYRA  
FRONT AXLE, HUB**

No	Parça No	Parça Adı	Description	Adet	S.K.	Bas.S.N	Bit.S.N	Y.K.	Not
No	Part no			Qty	SC	S/N from	S/N to	ICA	Note
1	S0641835	KEÇE	SEAL RING	1					
2	S0641836	RULMAN	BEARING	2					
3	S0641837	POYRA KİTİ	WHEEL HUB KIT	2	K1				
4	S0641838	SAPLAMA	STUD	20	K1				
5	S0641839	O-RİNG	O-RING	2					
6	S0642243	ARA PARÇA	SPACER	2					
7	S0641840	YÖRÜNGE DİŞLİ	CROWN GEAR Z81	2					
8	S0641842	SEGMAN	LOCK RING	2					
9	S0641843	CIVATA	BOLT	6					M10x12
10	S0641844	SOMUN, HALKA, M90x2	RING NUT M90x2	2					M90x2
11	S0641845	KİLİT SACI	LOCKING PLATE	2					
12	S0641846	TAŞIYICI DİŞLİ	WHEEL CARRIER	2					

**ARKA AKS, ŐAFT BAĐLANTISI - CR (TURNER)  
REAR AXLE, INPUT FLANGE - CR (TURNER)**

No	Parça No	Parça Adı	Description	Adet	S.K.	Bas.S.N	Bit.S.N	Y.K.	Not
No	Part no			Qty	SC	S/N from	S/N to	ICA	Note
1	S0642674	ŐAFT	DOUBLE JOINT	2	(K1)				
2	S0642676	AKS MİLİ, DİFERANSİYEL TARAFI	FORK (DIFF.SIDE)	2	K1				
3	S0642677	GÖVDE, AKS MİLİ ORTA	CENTRAL BODY	2	K1				
4	S0642678	İSTAVROZ	SPIDER	4	K1				
5	S0642679	AKS MİLİ, TEKER TARAFI	FORK (WHEEL SIDE)	2	K1				
6	S0641832	BASKI PULU	THRUST WASHER	2					
7	S0641833	PUL	WASHER	2					
8	S0641834	SEGMAN	LOCK RING	2					

**ARKA AKS, PARK FRENİ - CR (TURNER)**  
**REAR AXLE, BRAKE CALIPER - CR (TURNER)**

No	Parça No	Parça Adı	Description	Adet	S.K.	Bas.S.N	Bit.S.N	Y.K.	Not
No	Part no			Qty	SC	S/N from	S/N to	ICA	Note
1	S0642061	BALATA KİTİ	LINING KIT	1					
2	S0642062	BURÇ-CIVATA KOMPLESİ	SLEEVE/ BOLT ASSY.	2					
3	S0642063	KAM TAMİR KİTİ, PARK FRENİ	CAM REPAIR KIT	1					
4	S0642064	LEVYE	LEVER	1					
5	S0642065	FREN KİTİ, EL FRENİ	BRAKE REPAIR KIT	1					
6	S0642013	CIVATA	BOLT	2					M16x95
7	S0642014	BURÇ	BUSHING	2					
8	S0642016	MESNET, EL FRENİ	BRAKE CALIPER SUPPORT	1					
9	S0642024	PARK FRENİ	BRAKE CALIPER	1					
10	S0642026	CIVATA	BOLT	2					

**ŞANZIMAN, TORK KONVERTÖR (STANDART)**  
**TRANSMISSION, TORQUE CONVERTER ARRANGMENT (STANDARD)**

No	Parça No	Parça Adı	Adet	S.K.	Bas.S.N	Bit.S.N	Y.K.	Not
No	Part no	Description	Qty	SC	S/N from	S/N to	ICA	Note
0	F0340220	KONVERTÖR KOMPLE	1					
1	F0340221	KONVERTÖR KOMPLE	1					
2	F0340222	SAC, KONVERTÖR	1					
3	F0340223	SAC, KONVERTÖR	1					
4	F0340003	CIVATA	6					

**ŞANZİMAN, TRANSMİSYON GÖVDESİ, ARKA (STANDART)  
TRANSMISSION, REAR CASING AND ANCIILLIARIES (STANDARD)**

No	Parça No	Parça Adı	Adet	S.K.	Bas.S.N	Bit.S.N	Y.K.	Not
No	Part no	Description	Qty	SC	S/N from	S/N to	ICA	Note
1	F0340042	BANJO CIVATA	4					
2	F0340043	PUL	8					
3	F0340089	BORU	1					
4	F0340090	BORU	1					
5	F0340091	ARA PARÇA	1					
5	F0340092	ŞİM	2					
5	F0340093	ŞİM	2					
5	F0340094	ŞİM	2					
5	F0340095	ŞİM	2					
6	F0340096	ARA PARÇA	2					
6	F0340097	ŞİM	4					
6	F0340098	ŞİM	4					
6	F0340099	ŞİM	4					
6	F0340100	ŞİM	4					
7	F0340101	ARA PARÇA	1					
7	F0340102	ŞİM	2					
7	F0340103	ŞİM	2					
7	F0340104	ŞİM	2					
7	F0340105	ŞİM	2					
8	F0340091	ARA PARÇA	1					
8	F0340092	ŞİM	2					
8	F0340093	ŞİM	2					
8	F0340094	ŞİM	2					
8	F0340095	ŞİM	2					
9	F0340106	HAVALANDIRMA	1					
10	F0340014	TAPA KOMPLE	9					
10	F0340016	TAPA	1					
10	F0340015	KEÇE	1					
11	F0340109	KEÇE	2					
12	F0340110	PUL	2					
13	F0340111	CIVATA	2					
14	F0340065	KEÇE	1					
15	F0340061	CIVATA	1					
16	F0340062	PUL	1					
17	F0340063	MAFSAL	1					
17	F0340064	MUHAFAZA	1					
18	F0340055	KEÇE	1					
19	F0340112	KAPAK, TOZ	1					
20	F0340113	NİPEL	1					
21	F0340114	CIVATA	1					
22	F0340115	CIVATA	16					
23	F0340226	GÖVDE KOMPLESİ, ARKA	1					

**ŞANZIMAN, ŞAFT GRUBU, PTO (STANDART)**  
**TRANSMISSION, SHAFT GROUP PTO (STANDARD)**

No	Parça No	Parça Adı	Adet	S.K.	Bas.S.N	Bit.S.N	Y.K.	Not
No	Part no	Description	Qty	SC	S/N from	S/N to	ICA	Note
0	F0340232	ŞAFT KOMPLESİ	1					
1	F0340181	BİLEZİK	1					
2	F0340233	ŞAFT	1					
3	F0310184	SEGMAN	1					
4	F0310185	ADAPTÖR	1					
5	F0310186	GÖBEK, ADAPTÖR	1					
6	F0310187	SAC	1					
7	F0310188	CIVATA	4					

**ŞANZIMAN, TRANSMİSYON GÖVDESİ, ÖN (LUCK-UP)  
TRANSMISSION, FRONT CASING AND ANCILLIARIES (LUCK-UP)**

No	Parça No	Parça Adı	Adet	S.K.	Bas.S.N	Bit.S.N	Y.K.	Not
No	Part no	Description	Qty	SC	S/N from	S/N to	ICA	Note
1	F0340011	CIVATA	2					
2	F0340012	PUL	4					
3	F0340013	BORU KOMPL.	1					
4	F0340014	TAPA KOMPLE	1					
4	F0340015	KEÇE	1					
4	F0340016	TAPA	1					
5	F0340017	VALF	1					
5	F0340018	KEÇE	1					
5	F0340019	KEÇE	1					
5	F0340020	VALF	1					
5	F0340018	KEÇE	1					
5	F0340019	KEÇE	1					
6	F0340023	VALF	1					
6	F0340024	KEÇE	1					
6	F0340025	KEÇE	1					
6	F0340026	KEÇE	1					
7	F0340015	KEÇE	1					
8	S0643493	SENSÖR KOMPL.	1					
9	F0340031	TAPA KOMPL.	3					
9	F0340032	TAPA	1					
9	F0340033	KEÇE- O-RING	1					
10	F0340034	TAPA	2					
11	F0340035	SVİÇ	1					
11	F0340015	KEÇE	1					
11	F0340036	SVİÇ, SICAKLIK	1					
12	F0340037	TAPA	2					
13	F0340038	KEÇE	3					
14	F0340039	MERKEZLEME PİMİ	2					
15	F0340040	BORU, KOMPL.	1					
16	F0340041	CIVATA	2					
17	F0340042	BANJO CIVATA	2					
18	F0340043	PUL	4					
19	F0340044	TAPA	1					
20	F0340045	CIVATA	2					
21	F0340046	DİRSEK	1					
21	F0340047	ADAPTÖR	1					
21	F0340048	ADAPTÖR	1					
22	F0315803	FİLTRE, YAĞ	1					
23	F0340050	KEÇE- O-RING	2					
24	F0340037	TAPA	2					
25	F0340052	TAPA KOMPL.	1					
25	F0340053	TAPA KOMPL.	1					
25	F0340054	KEÇE	1					
26	F0340055	KEÇE	1					
27	F0340056	SÜZGEÇ, EMİŞ	1					
28	F0340057	HALKA	1					
29	F0340058	CIVATA	2					

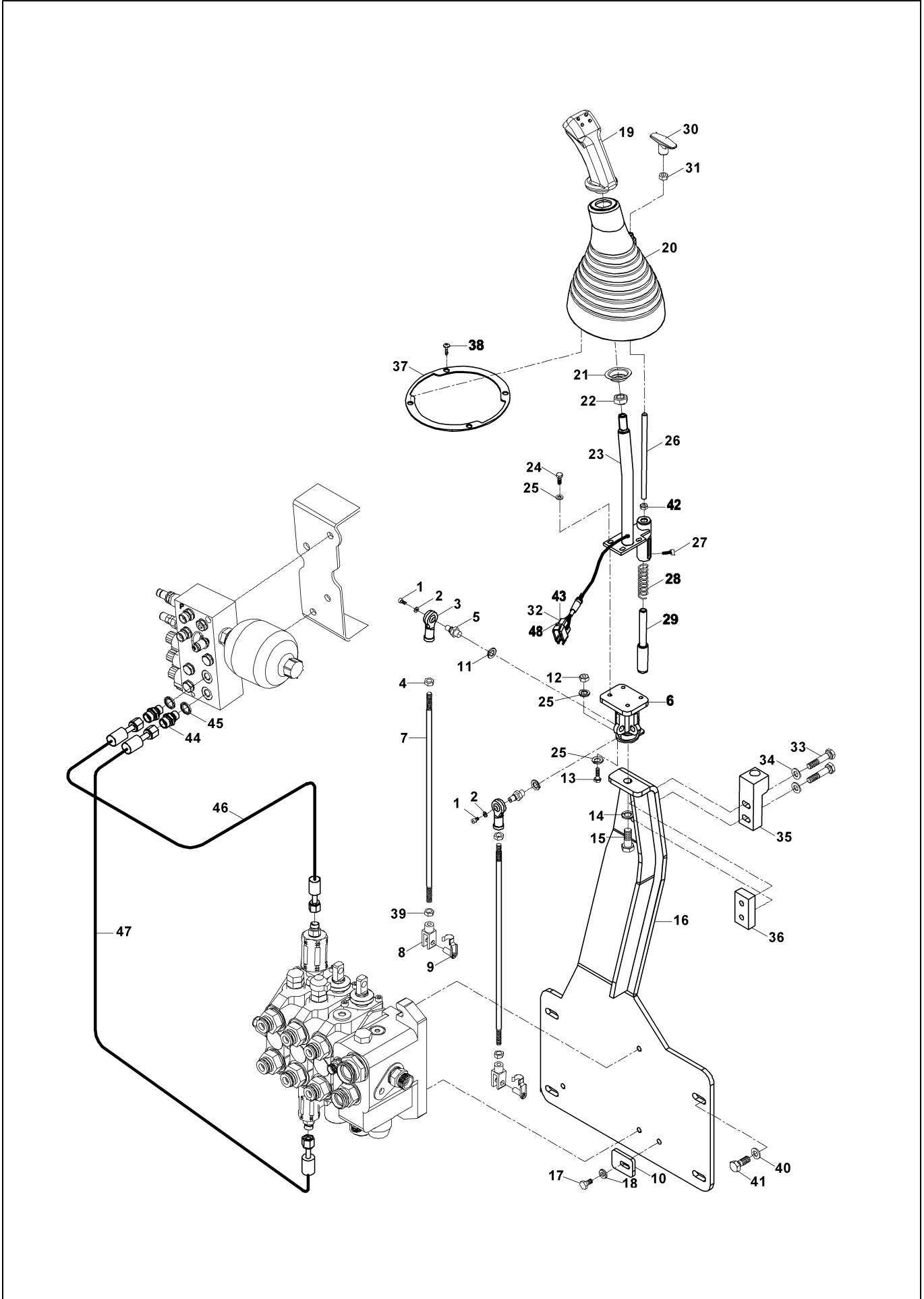
**ŞANZIMAN, KAVRAMA GRUBU, ANA (LUCK-UP)  
TRANSMISSION, SHAFT GROUP - MAIN (LUCK-UP)**

No	Parça No	Parça Adı	Description	Adet	S.K.	Bas.S.N	Bit.S.N	Y.K.	Not
No	Part no			Qty	SC	S/N from	S/N to	ICA	Note
0	F0340138	KAVRAMA, ANA	SHAFT Gp - MAIN	1					
1	F0340136	RULMAN	BEARING CONE	1					
1	F0340137	RULMAN	BEARING CUP	1					
2	F0340121	PUL	WASHER	1					
3	F0340120	RULMAN	BEARING - SPL	2					
4	F0340140	BİLEZİK	RING - SEAL	3					
5	F0340123	RULMAN	BEARING - CAGED	2					
6	F0340141	DİŞLİ	GEAR	1					
7	F0340125	PUL	WASHER	1					
8	F0340143	SEGMAN	RING - RETAINING	1					
9	F0340127	SAC	PLATE- END	2					
10	F0340144	KAVRAMA BALATASI	DISC - FRICTION	13					
11	F0340129	KAVRAMA DİSKİ	DISC - CLUTCH	13					
12	F0340145	TUTUCU	RETAINER	1					
13	F0340146	HALKA	RING - RETAINING	1					
14	F0340147	YAY	SPRING - WAVE	2					
15	F0340148	KAVRAMA, PİSTON	PISTON - CLUTCH	2					
16	F0340149	ŞAFT KOMPLESİ	SHAFT - ASS' Y.	1					
17	F0340150	SEGMAN	RING - RETAINING	1					
18	F0340151	TUTUCU	RETAINER - SPRING	1					
19	F0340152	RULMAN	BEARING CUP	1					
19	F0340153	RULMAN	BEARING CONE	1					
20	F0340154	DİŞLİ	GEAR	1					
21	F0340155	PUL	WASHER - SUPPORT	2					
22	F0340156	RULMAN	BEARING - SPL	2					
23	F0340157	DİŞLİ	GEAR	1					
24	F0340158	RULMAN	BEARING - CAGED	2					
25	F0340159	ARA PARÇA	SPACER	1					

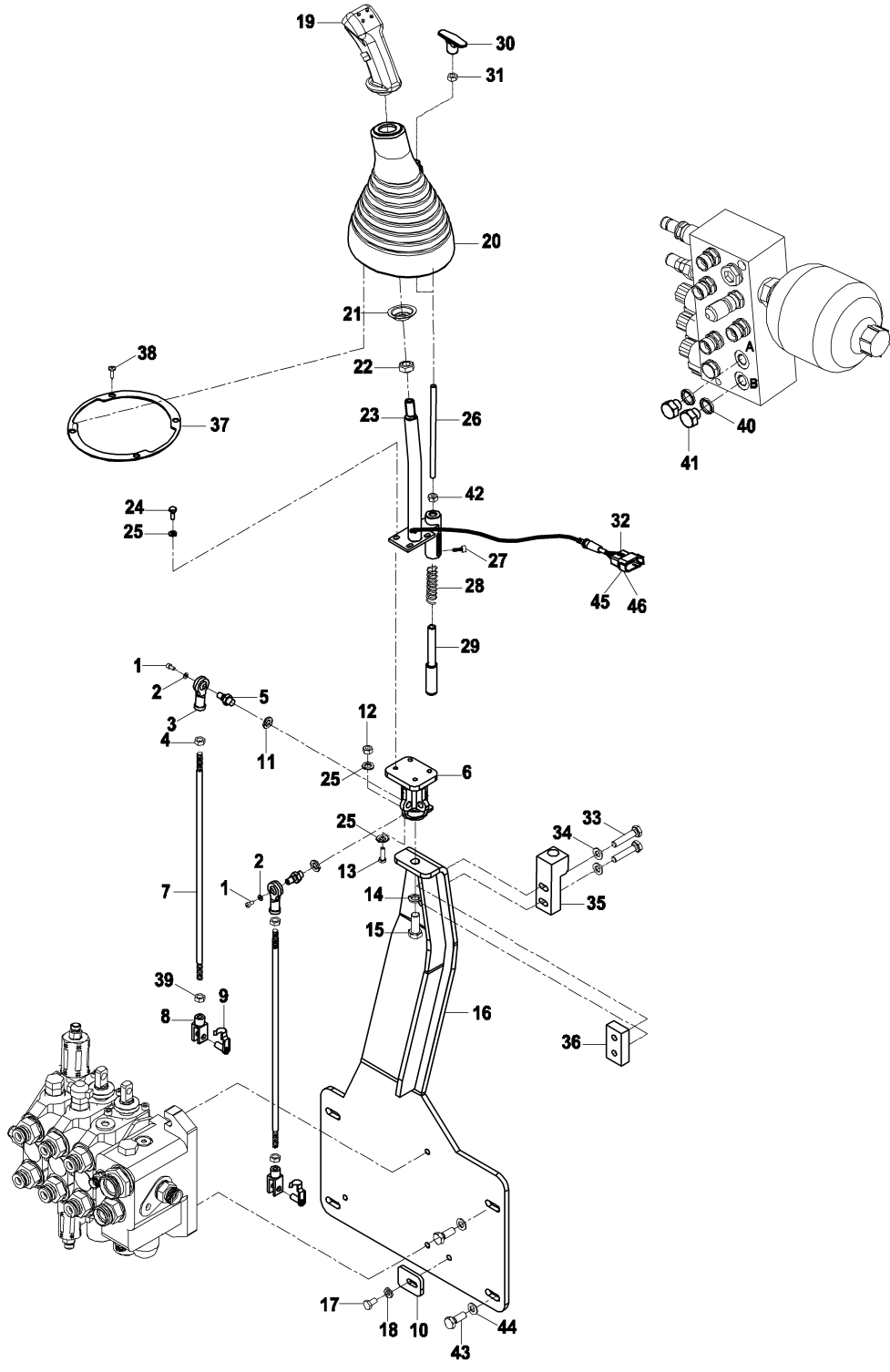
**PARK FRENİ**  
**PARKING BRAKE**

No	Parça No	Parça Adı	Description	Adet	S.K.	Bas.S.N	Bit.S.N	Y.K.	Not
No	Part no			Qty	SC	S/N from	S/N to	ICA	Note
1	F3092310	EL FRENİ	PARKING BRAKE	1					
2	02019042	BRAKET	BRACKET	1					
3	N025910086	SOMUN	NUT	2					
4	55400034	SENSÖR, KONUM	SENSOR, PROXIMITY	1					
5	02019066	BRAKET	BRACKET	1					
6	N015890458	CIVATA	BOLT	3					M8x20
7	N030810014	PUL	WASHER	3					M8
8	N030810015	PUL	WASHER	2					M10
9	N010232534	CIVATA	BOLT	2					M10x50
10	81030051	KÖRÜK	BELLOWS	1					
11	F3013040	TEL, EL FRENİ	CABLE, PARKING BRAKE	1					
12	N025910050	SOMUN	NUT	1					
13	N030100013	PUL	WASHER	1					
14	F3013101	CIVATA	BOLT	1					
15	81040021	GROMET	GROMMET	1					
16	02019079	BRAKET, EL FRENİ TELİ	BRACKET	1					
17	50607000	KONNEKTÖR	CONNECTOR, MALE, 3 PIN	1					
18	50903000	TERMINAL	TERMINAL, MALE	3					
19	52919000	CONTA	SEAL, TERMINAL	3					
20	54524100	KONDÜİT	CONDUIT	0,2					METRE/MET ERS
21	02000286	SAC, KÖRÜK	PLATE, BELLOWS	1					
22	N130165180	DÜBEL	FIXING PLUG	2					

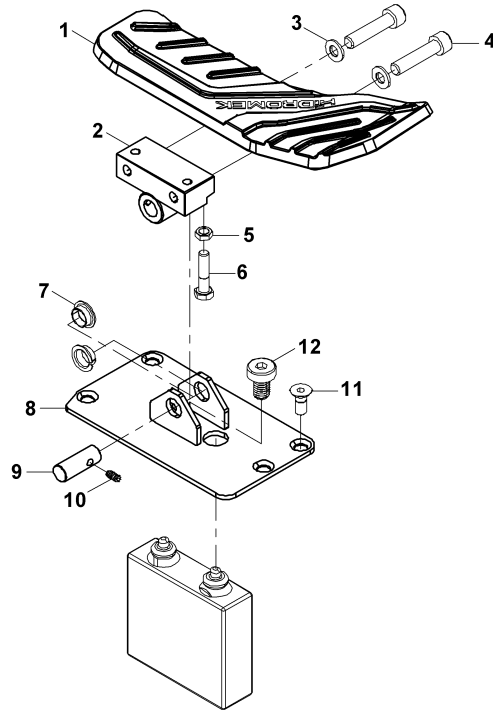
**YÜKLEYİCİ KUMANDA MEKANİZMASI (AÇILIR KEPÇE & LEVYE & TİP B)**  
**LOADER CONTROL MECHANISM(MULTIPURPOSE BUCKET & LEVERS & TYPE B)**



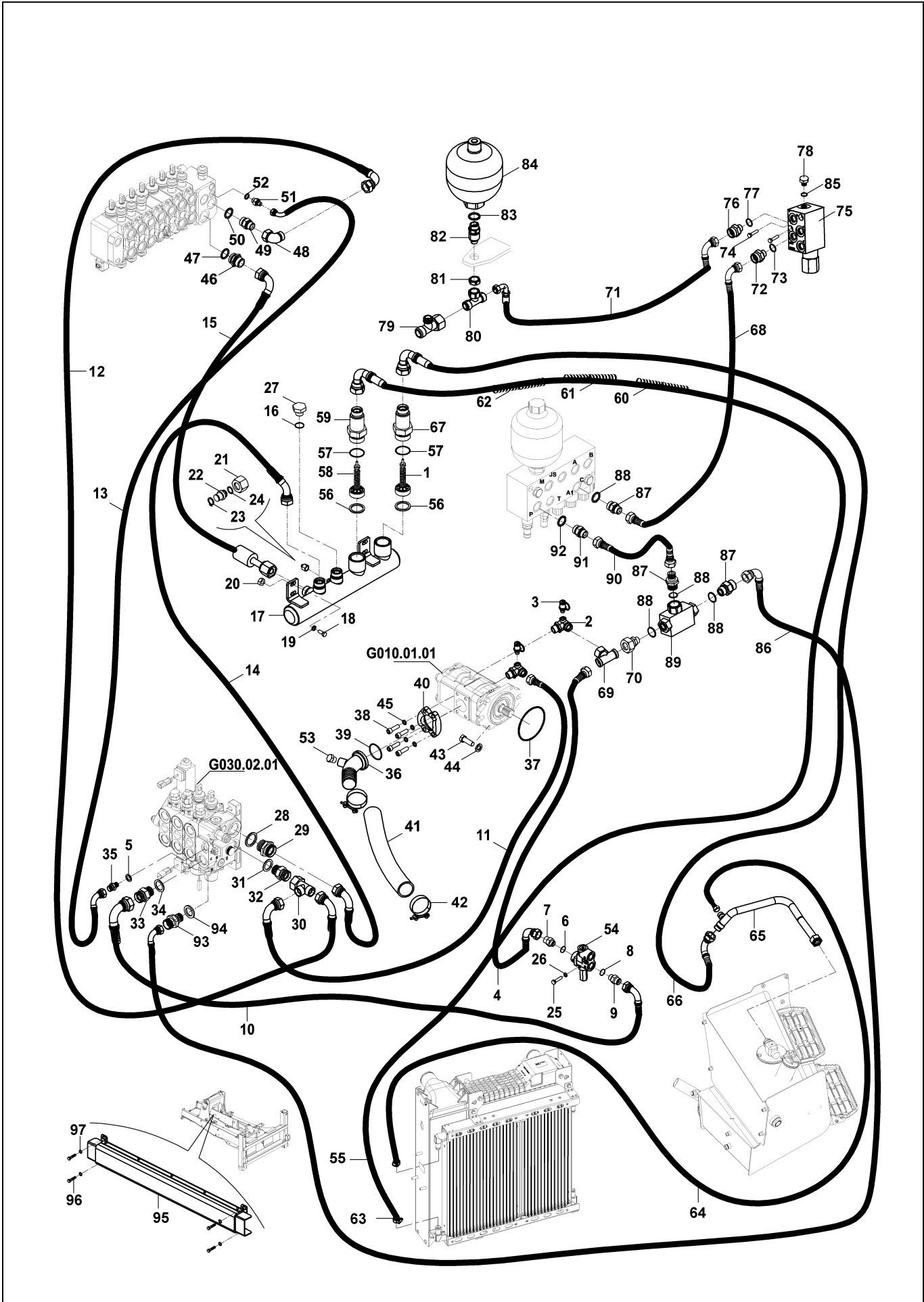
YÜKLEYİCİ KUMANDA MEKANİZMASI (SABİT KEPÇE & JOYSTİCK) (TİP B)  
 BACKHOE CONTROL MECHANISM (SHOVEL & JOYSTICK) (TYPE B)



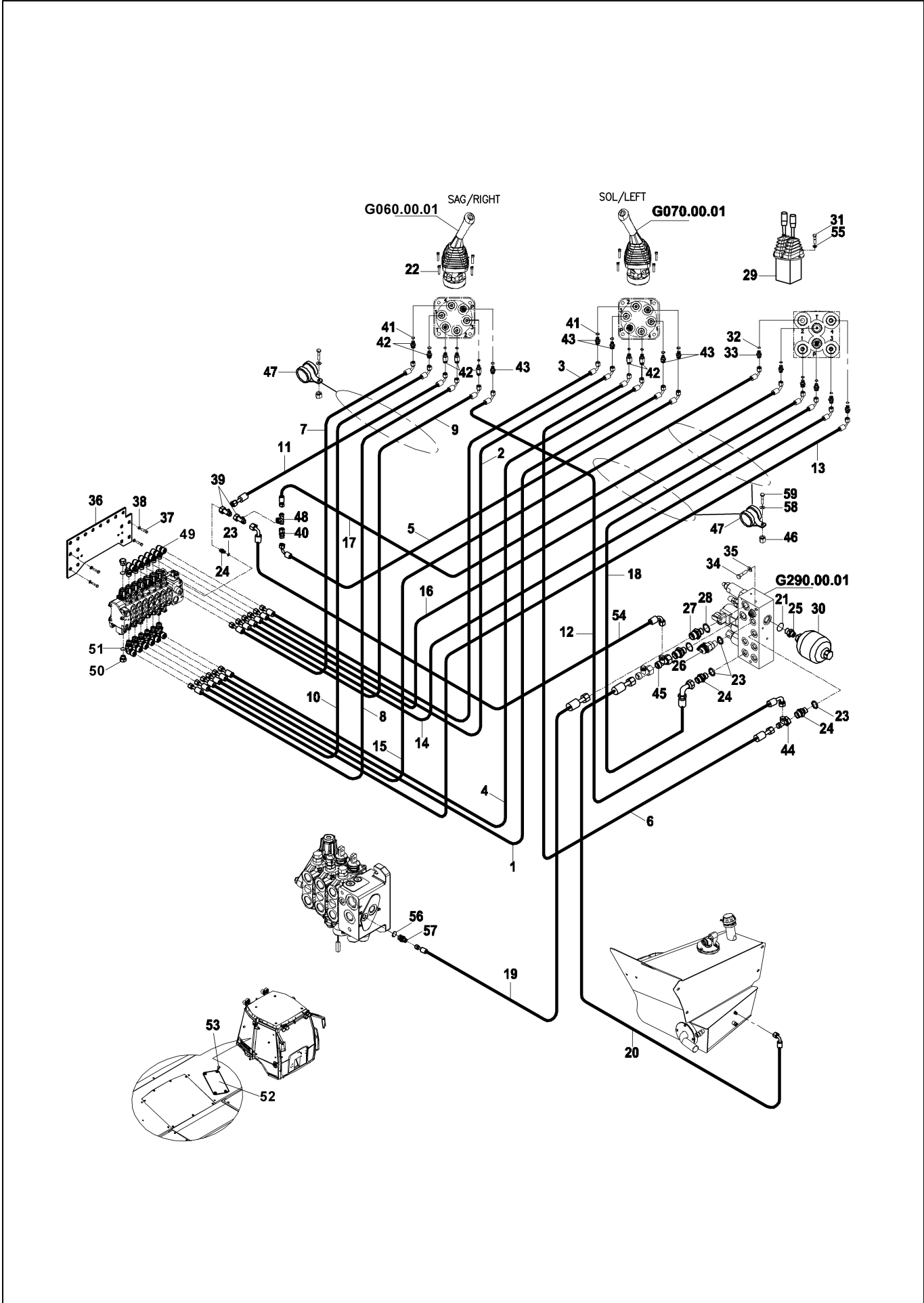
İLAVE ATAŞMAN PEDAL MONTAJI (JY) (TYPE B)  
ADDITIONAL ATTACHMENT PEDAL MOUNTING (JY) (TYPE B)



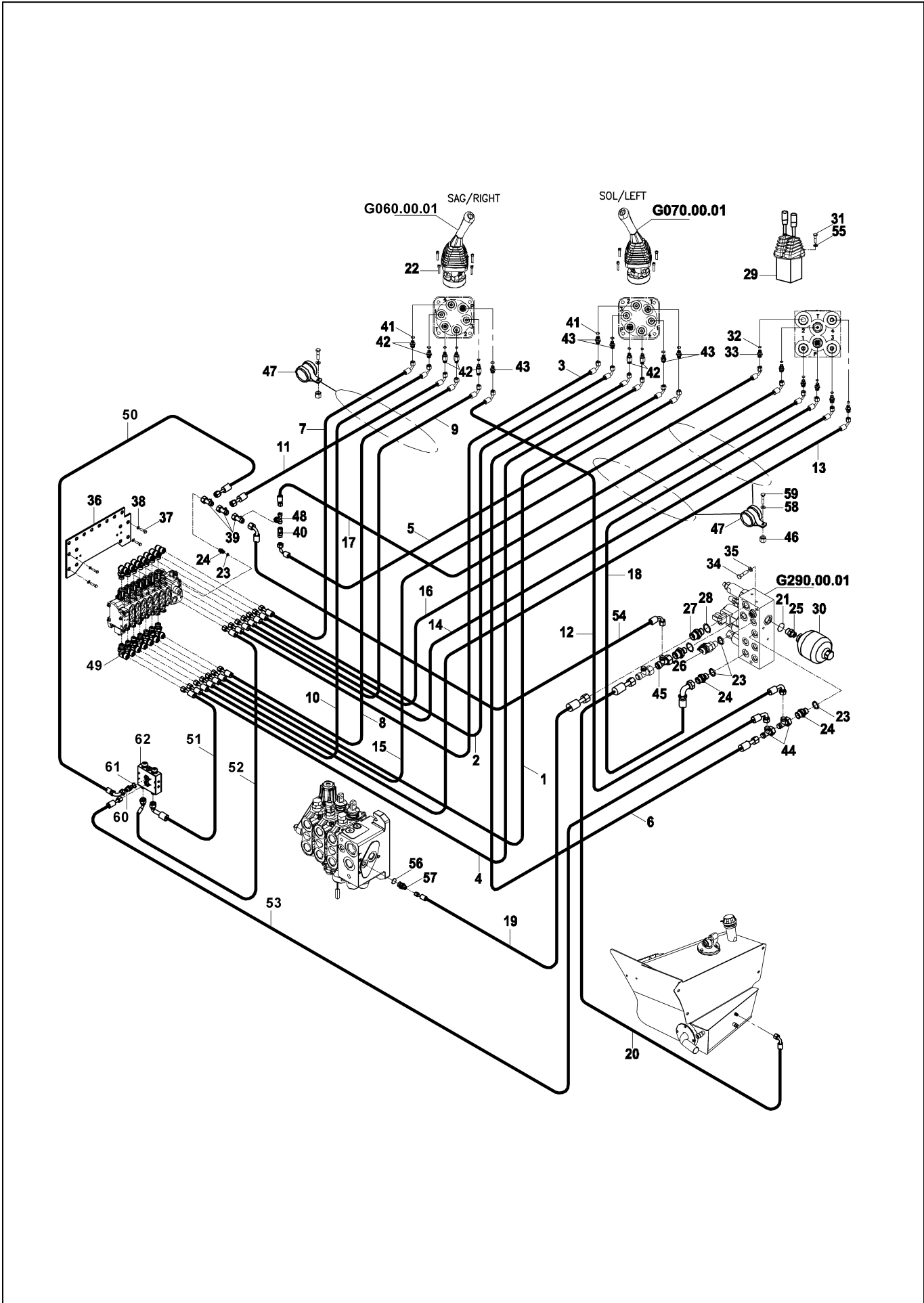
HİDROLİK TESİSAT, ANA DAĞITIM (DİŞLİ POMPA & TURNER) (TİP B)  
 HYDRAULIC PIPING, MAIN (GEAR PUMP & TURNER) (TYPE B)



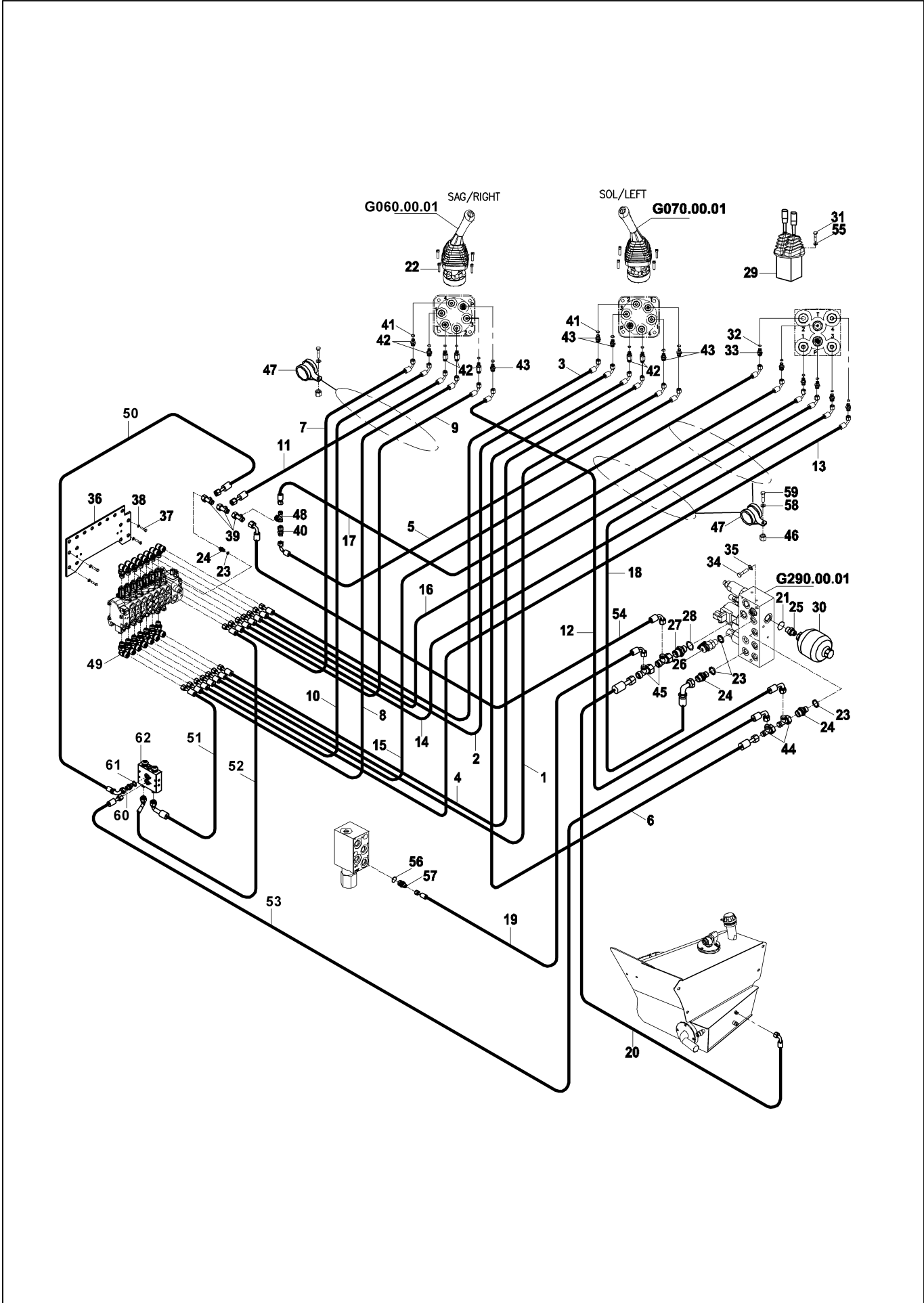
HİDROLİK TESİSAT, PİLOT (STD ARM & PİSTONLU POMPA) (TİP B) (OP)  
HYDRAULIC PIPING, PILOT (STD ARM & PISTON PUMP) (TYPE B) (OP)



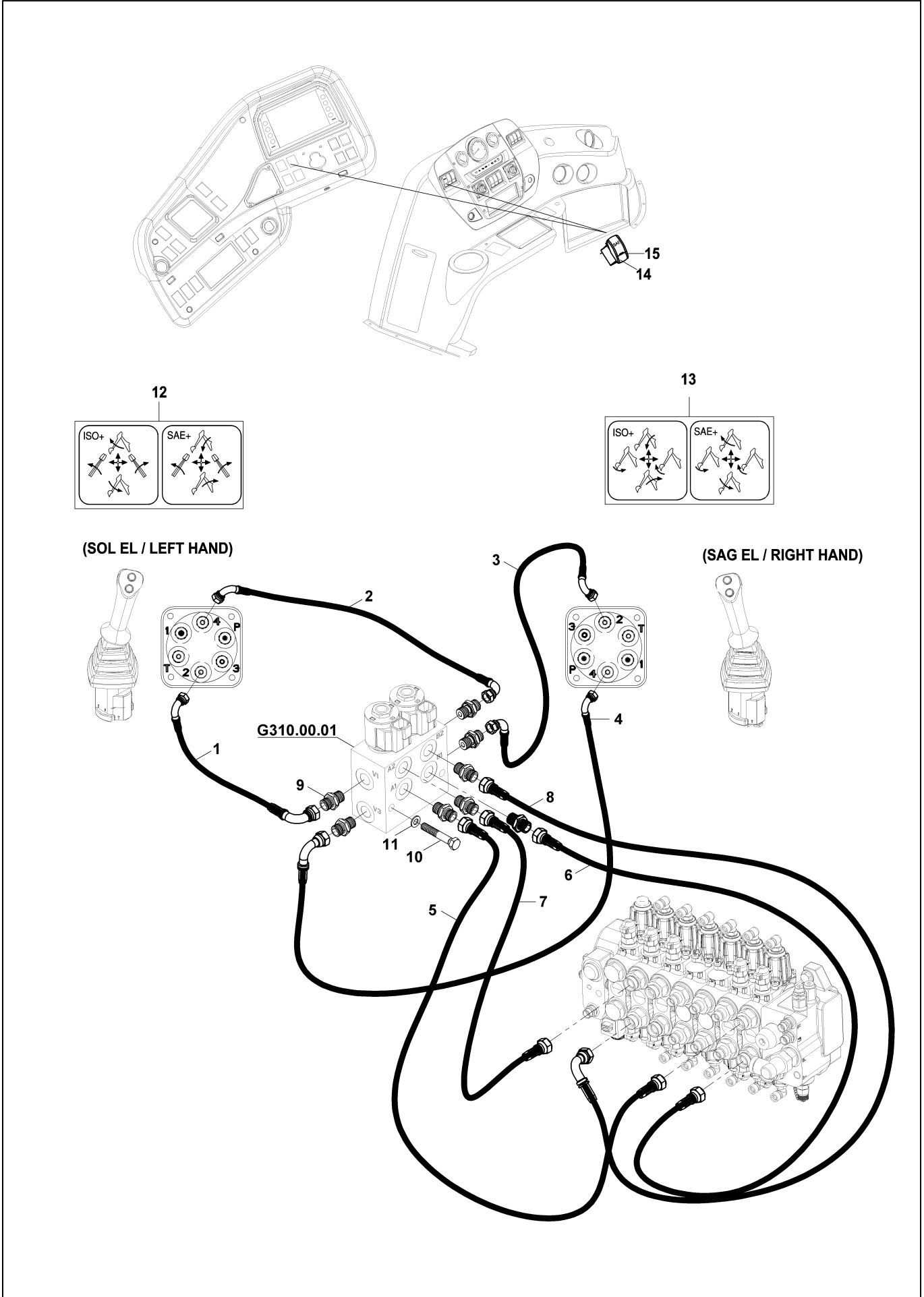
**HİDROLİK TESİSAT, PİLOT (TELESKOPIK ARM & PİSTONLU POMPA & SOL EL) (TİP B) (OP)**  
**HYDRAULIC PIPING, PILOT (TELESCOPIC ARM & PISTON PUMP & LEFT HAND) (TYPE B) (OP)**



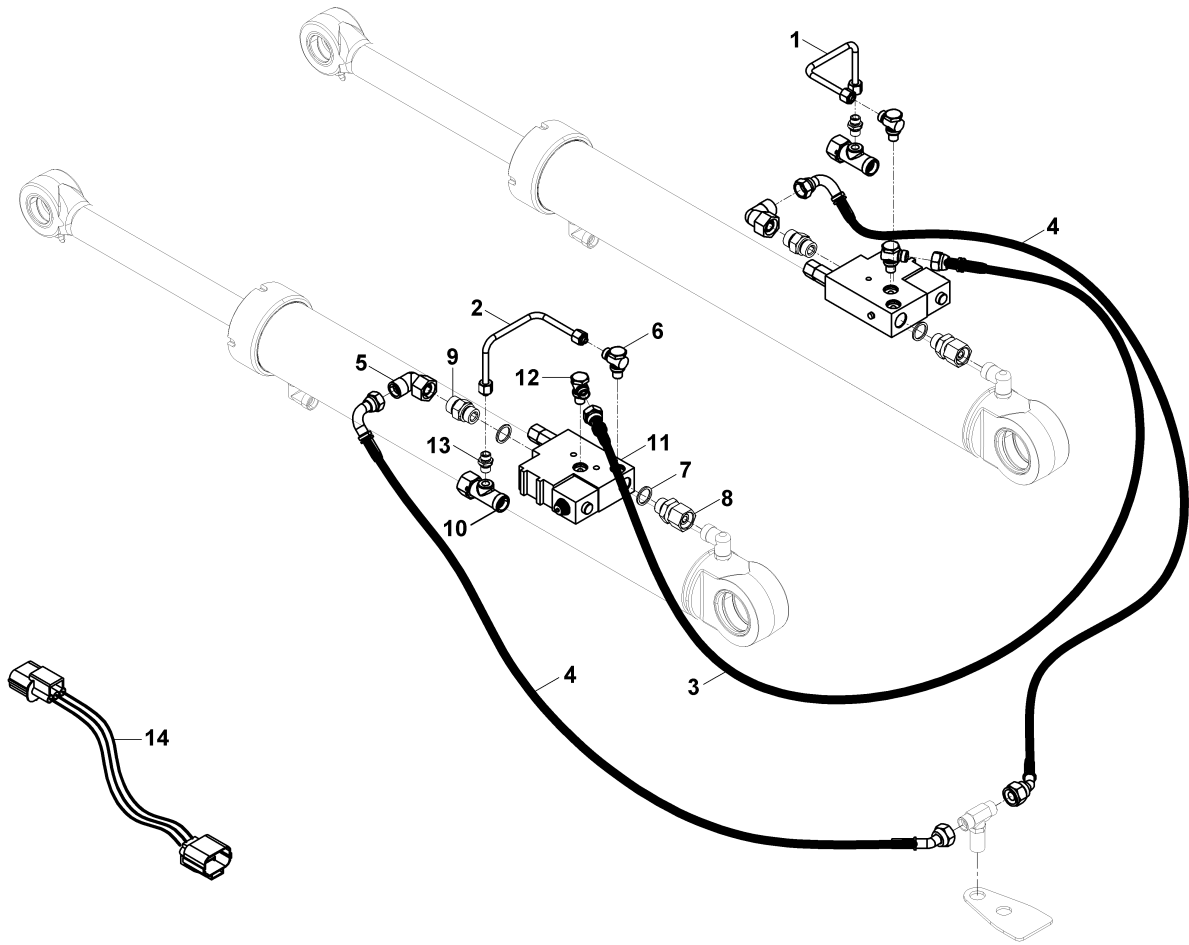
**HİDROLİK TESİSAT, PİLOT (TELESKOPIK ARM & DİŞLİ POMPA) (TİP B) (OP)**  
**HYDRAULIC PIPING, PILOT (TELESCOPIC ARM & GEAR PUMP) (TYPE B) (OP)**



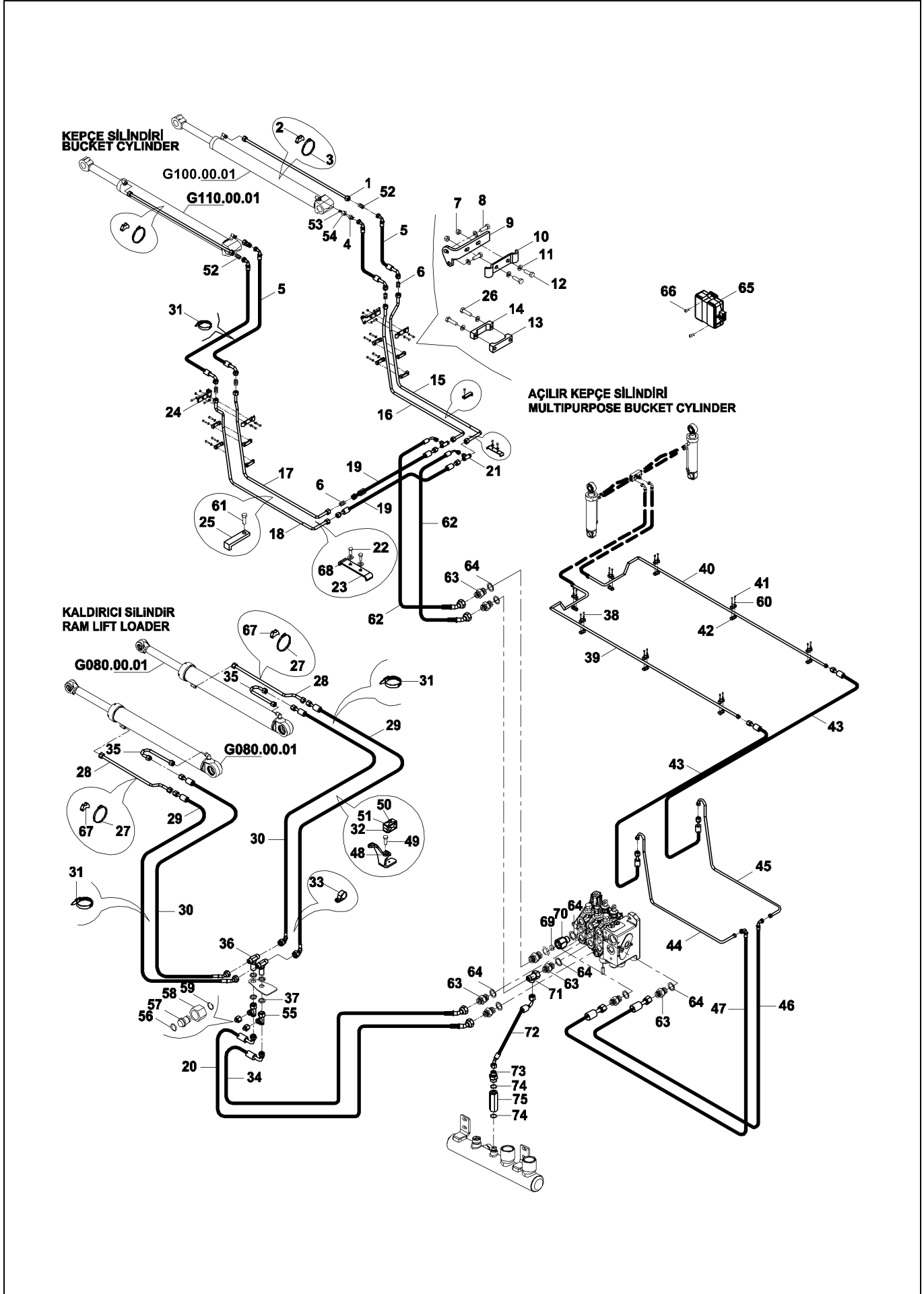
### KUMANDA DEĞİŞTİRİCİ PATTERN SHIFTER



### KALDIRICI SİLİNDİR HİDROLİĞİ, YÜKLEYİCİ CIRCUIT, RAM, LIFT, LOADER



**YÜKLEYİCİ HİDROLİK TESİSATI, AÇILIR KEPÇE (TİP B & PİSTONLU POMPA) (OP)  
LOADER HYD.PIPING, MULTIPURPOSE BUCKET (TYPE B & PISTON PUMP) (OP)**



CLICK HERE TO **DOWNLOAD** THE COMPLETE MANUAL

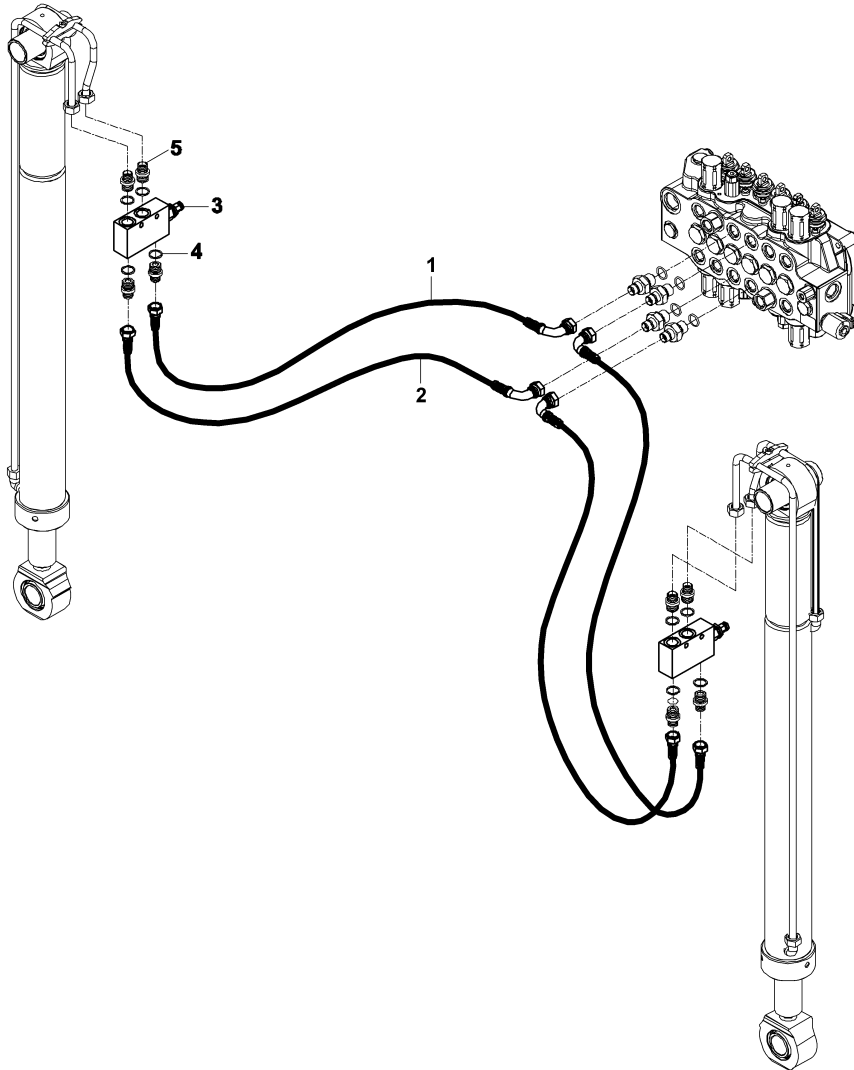
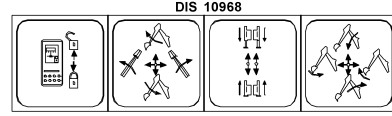
- Thank you very much for reading the preview of the manual.
- You can download the complete manual from: [www.heydownloads.com](http://www.heydownloads.com) by clicking the link below



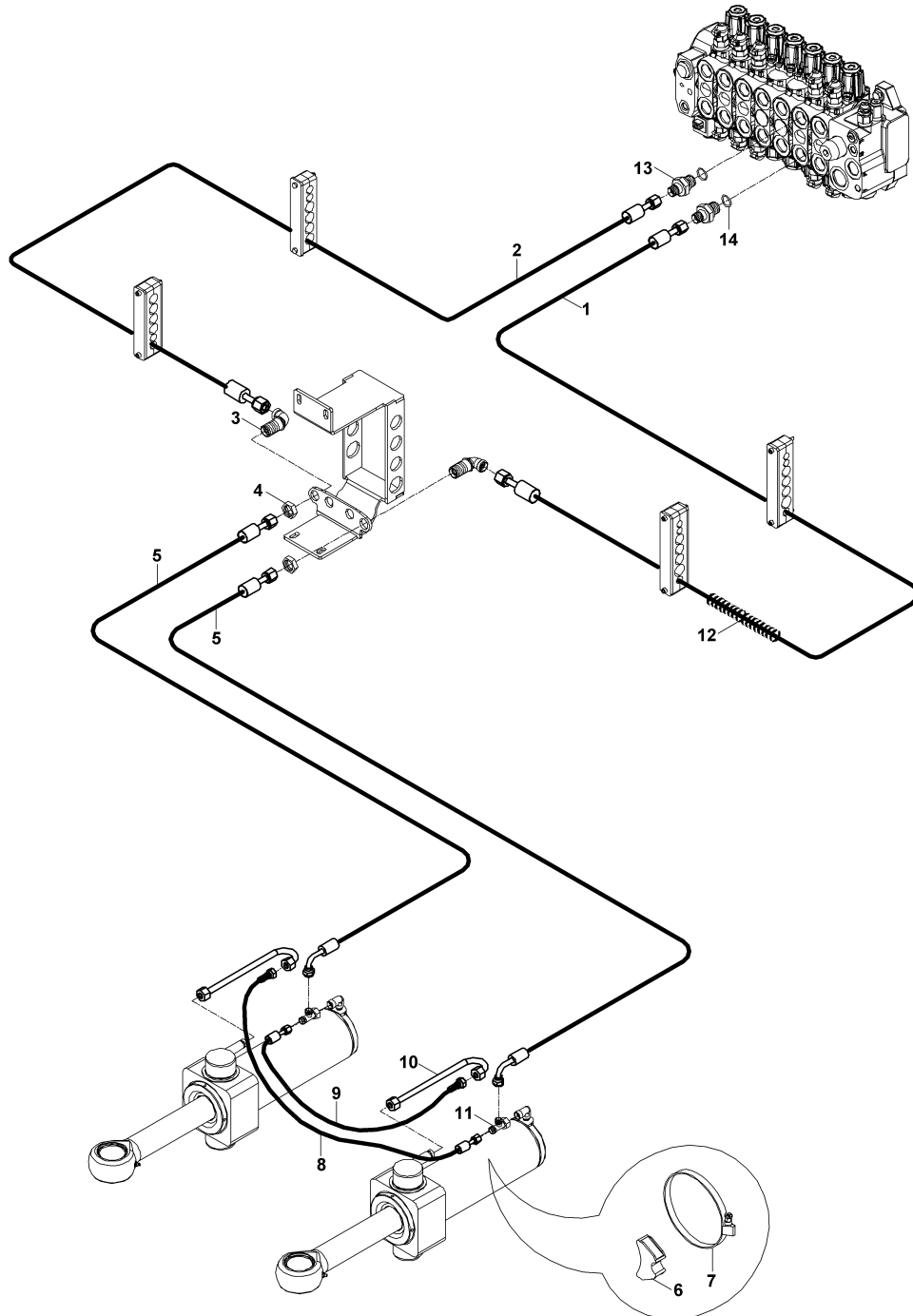
- Please note: If there is no response to CLICKING the link, please download this PDF first and then click on it.

CLICK HERE TO **DOWNLOAD** THE COMPLETE MANUAL

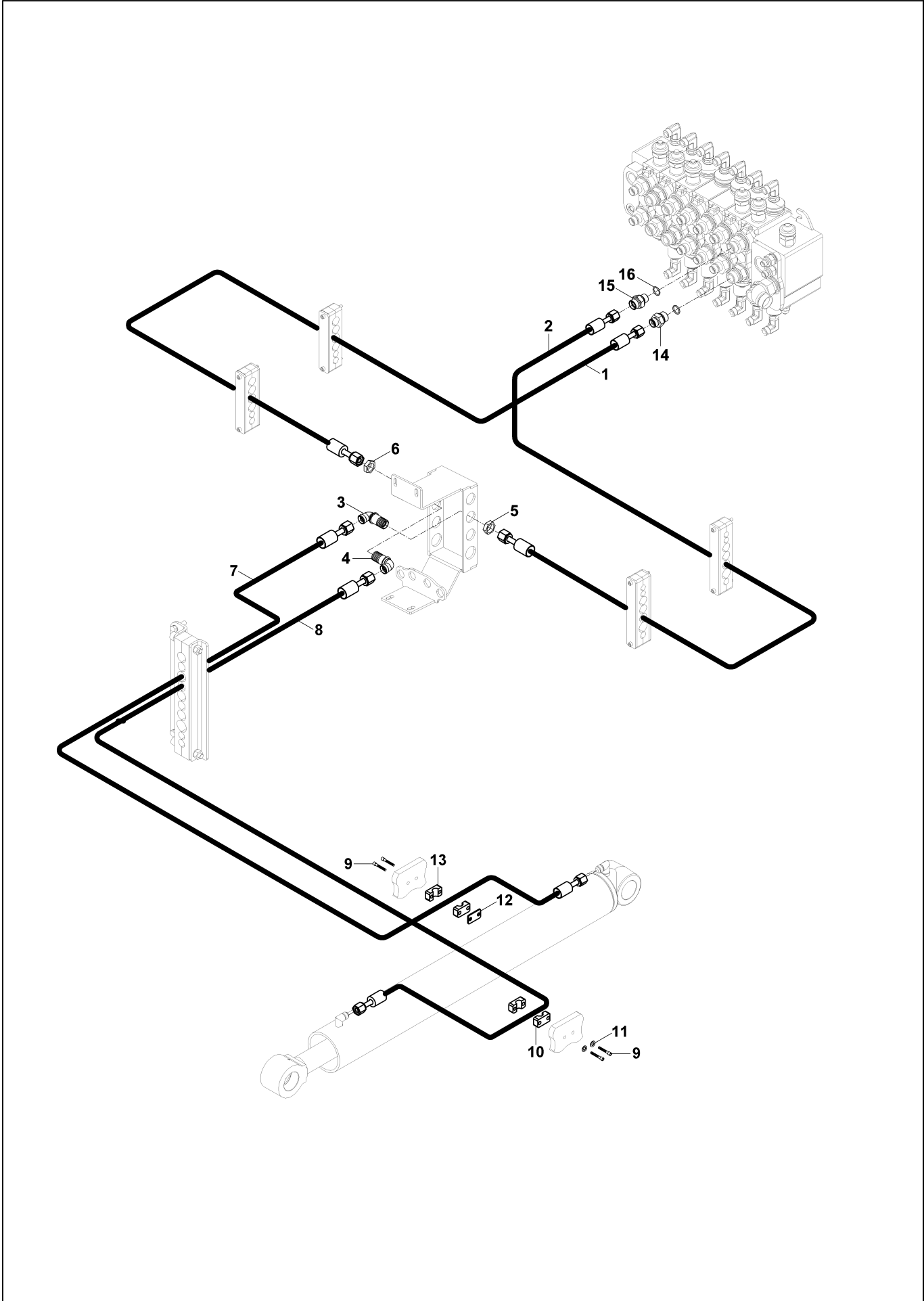
# HİDROLİK TESİSAT, AYAK SİLİNDİR HYD. PIPING, STABILIZER CYLINDER



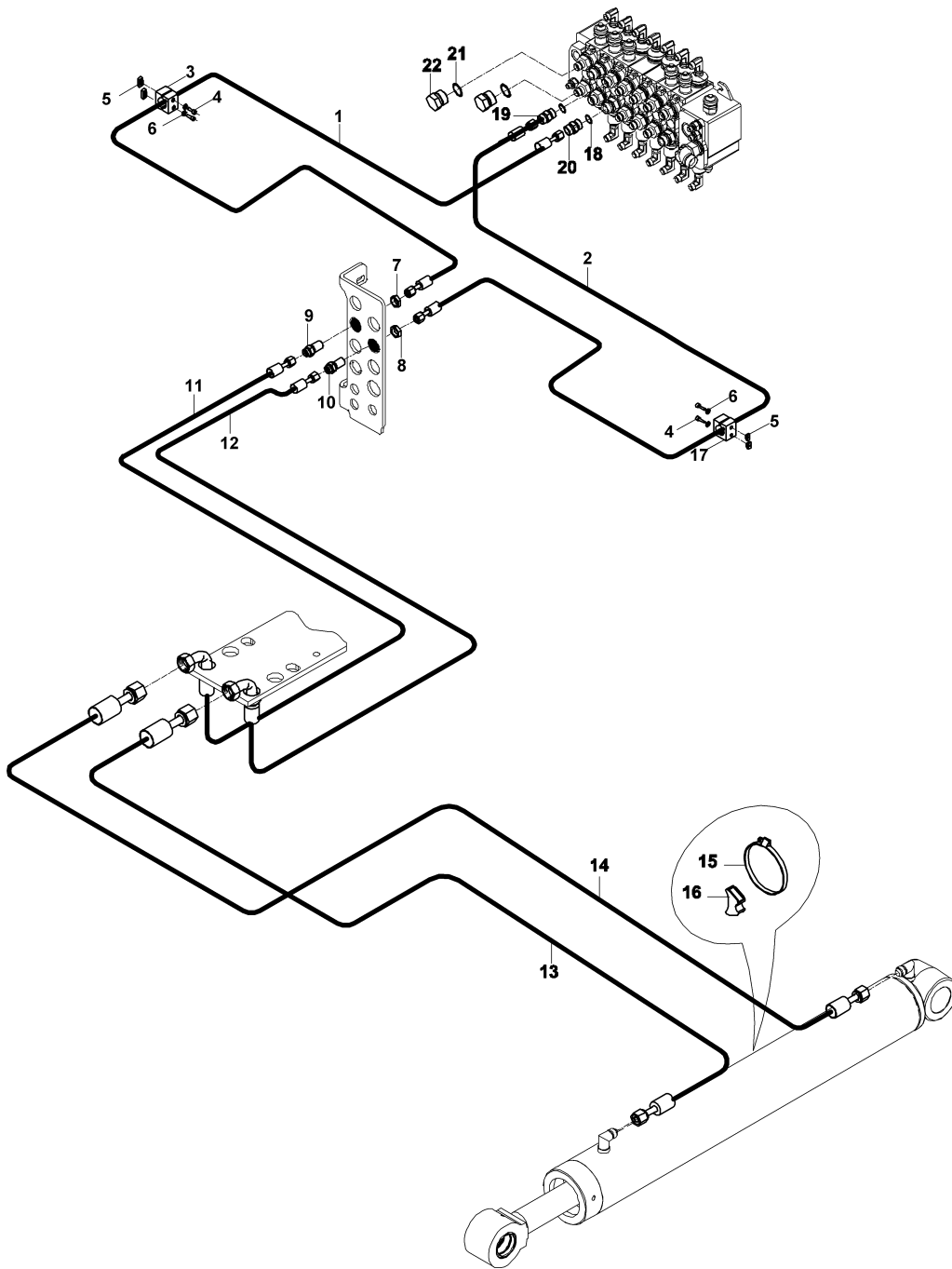
HİDROLİK TESİSAT, DÖNÜŞ SİLİNDİRİ (TİP B)  
 HYDRAULIC PIPING, SWING CYLINDER (TYPE B)



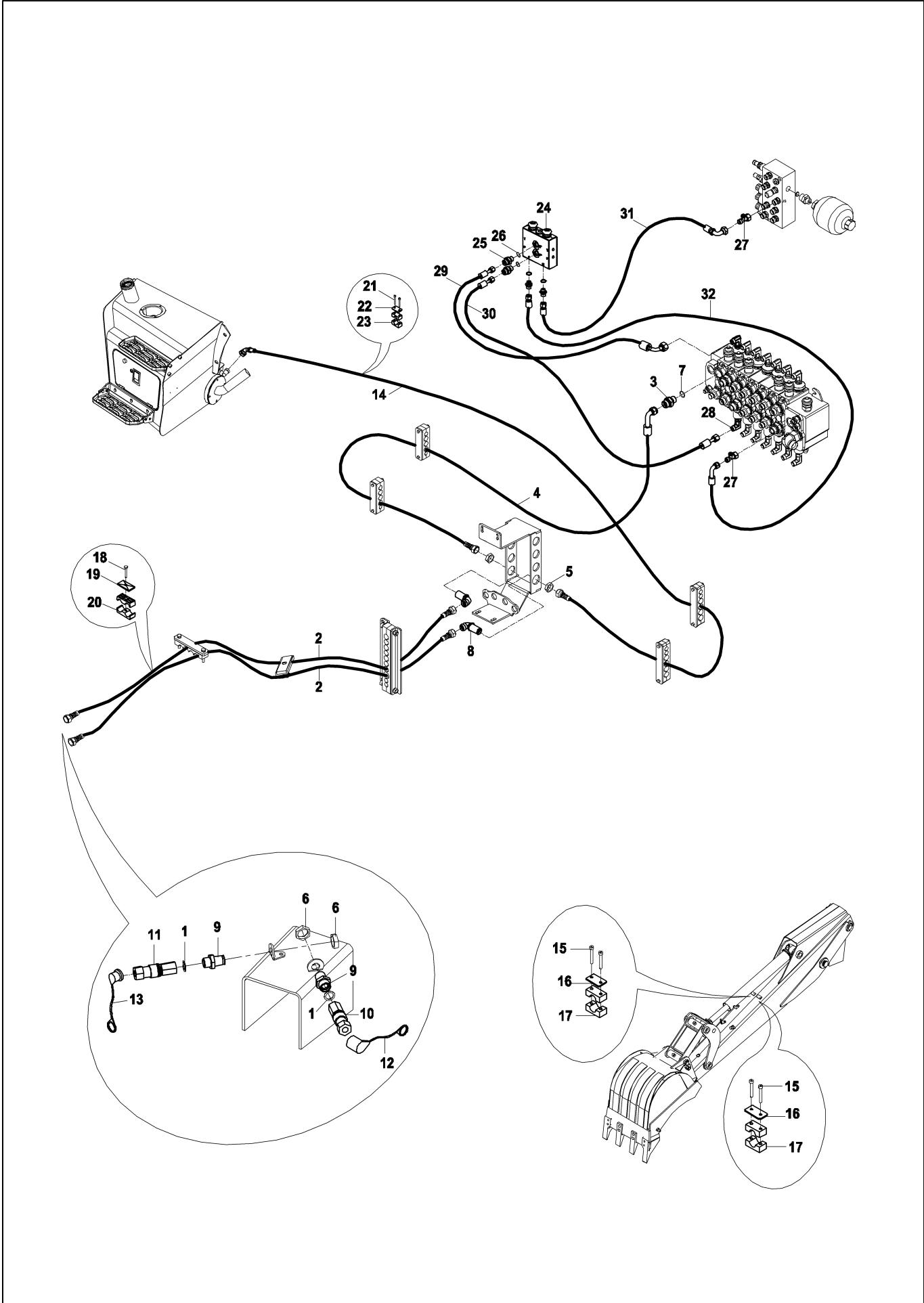
KAZICI HİDROLİK TESİSATI, ARM SİLİNDİRİ  
 BACKHOE HYDRAULIC PIPING, ARM CYLINDER



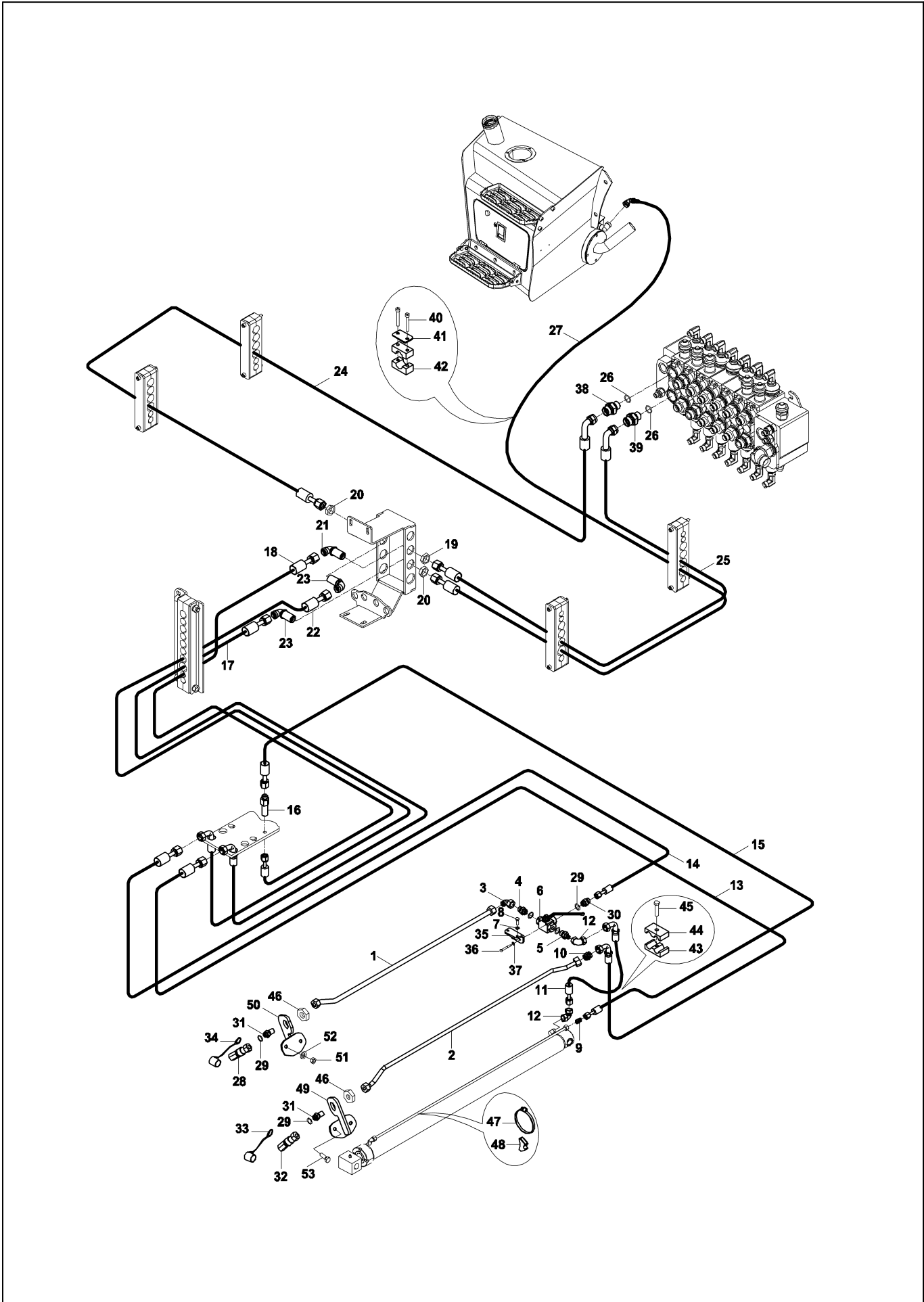
**KAZICI HİDROLİK TESİSATI, KEPÇE SİLİNDİRİ (KAZ AYAK & TİP B)  
HYD. PIPING, BUCKET CYLINDER (WING TYPE STABILIZER & TYPE B) (OP)**



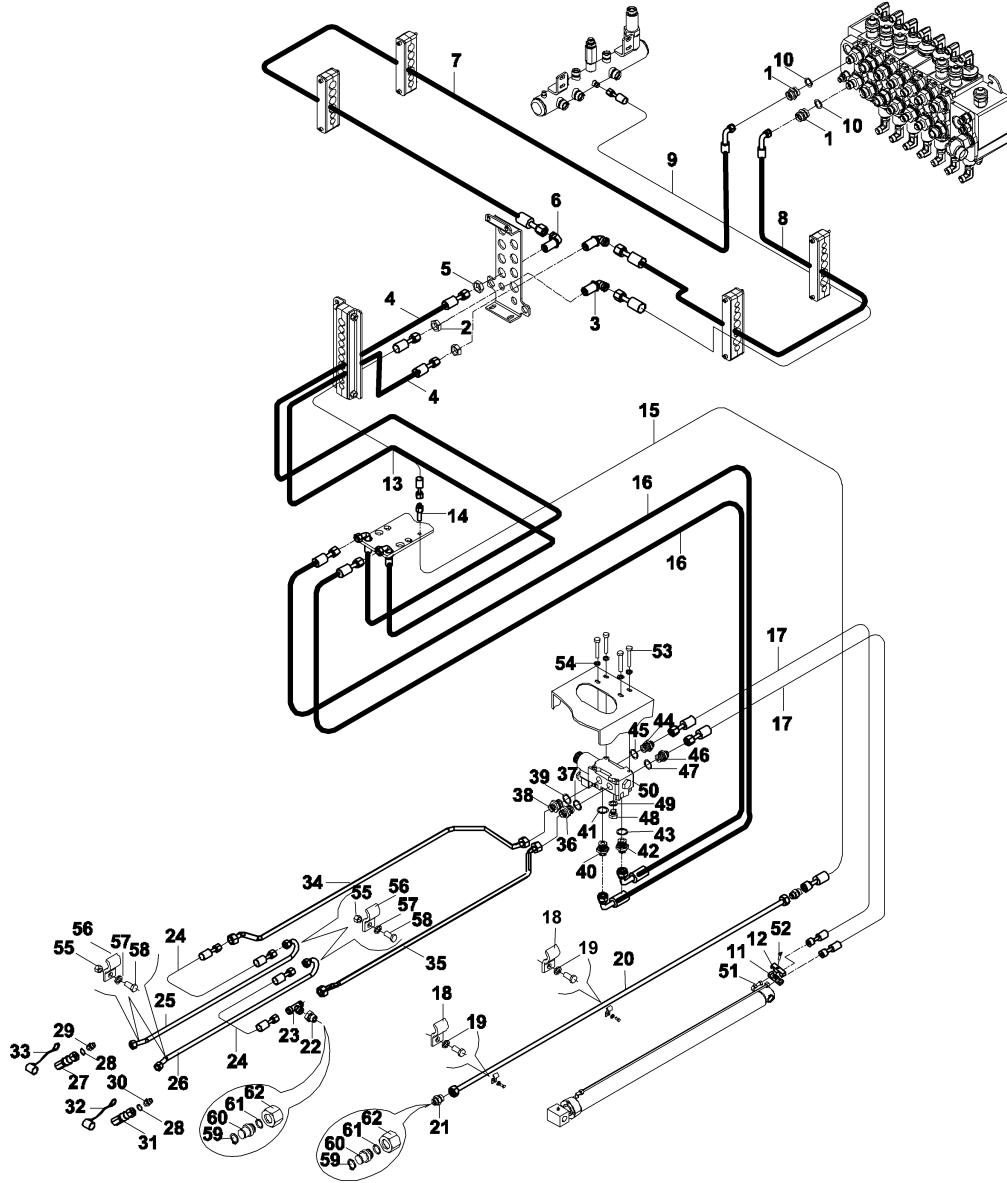
**TEK ETKİLİ HİDROLİK TESİSATI (KIRICI & STD.ARM & JY) (TİP B)**  
**SINGLE ACTING HYDRAULIC PIPING (BREAKER & STD.ARM & JY) (TYPE B)**



**TEK ETKİLİ HİDROLİK TESİSATI (KIRICI & TELESKOPIK & KAZAYAK) (TİP B)**  
**SINGLE ACTING HYDRAULIC PIPING (BREAKER & TELESCOPIC & WING TYPE) (TYPE B)**



ÇİFT ETKİLİ HİDR.TESİSATI,BURGU/DÖNER KEPÇE&KIRICI(TEL.ARM&JOYSTİK&TİP B)  
 DOUBLE ACTING HYD.PIPING,AUGER/TILTING BUCKET&BREAKER(TELESCOPIC



# G - HİDROLİK KOMPONENTLER

## G - HYDRAULIC COMPONENTS

Sayfa No / Page No	Sayfa Adı	Page Name	Revizyon / Revision
G120.00.01	AÇILIR KEPÇE SİLİNDİRİ	MULTIPURPOSE BUCKET CYLINDER	
G130.00.01	AYAK SİLİNDİRİ, SAĞ	STABILIZER CYLINDER, RH	
G130.01.01	AYAK SİLİNDİRİ, SAĞ (KAZ AYAK)	STABILIZER CYLINDER, RH (WING TYPE)	
G140.00.01	AYAK SİLİNDİRİ, SOL	STABILIZER CYLINDER, LH	
G140.01.01	AYAK SİLİNDİRİ, SOL (KAZ AYAK)	STABILIZER CYLINDER, LH (WING TYPE)	
G150.00.01	DÖNÜŞ SİLİNDİRİ	SWING CYLINDER	
G160.00.01	BOM SİLİNDİRİ, KAZICI	BOOM CYLINDER, BACKHOE	
G170.00.01	ARM SİLİNDİRİ, KAZICI	ARM CYLINDER, BACKHOE	
G180.00.01	KEPÇE SİLİNDİRİ, KAZICI	BUCKET CYLINDER, BACKHOE	
G180.01.01	KEPÇE SİLİNDİRİ, KAZICI, TELESKOPIK (OP)	BUCKET CYLINDER, BACKHOE, TELESCOPIC (OP)	
G190.00.01	TELESKOPIK SİLİNDİR, KAZICI (OP)	TELESCOPIC CYLINDER, BACKHOE (OP)	
G200.00.01	ÇABUK SÖK-TAK SİLİNDİRİ, YÜKLEYİCİ (OP)	QUICK COUPLER CYLINDER, LOADER (OP)	
G210.00.01	TESVİYE KÜREĞİ SİLİNDİRİ (OP)	LEVELLING BLADE CYLINDER (OP)	
G220.00.01	TESVİYE KÜREĞİ SİLİNDİRİ (ÇİFT EKSENLİ) SAĞ (OP)	LEVELLING BLADE CYLINDER (DOUBLE AXIS) RH (OP)	
G220.00.02	TESVİYE KÜREĞİ SİLİNDİRİ (ÇİFT EKSENLİ) SOL (OP)	LEVELLING BLADE CYLINDER (DOUBLE AXIS) LH (OP)	
G220.00.03	TESVİYE KÜREĞİ SİLİNDİRİ (ÇİFT EKSENLİ) MERKEZ (OP)	LEVELLING BLADE CYLINDER (DOUBLE AXIS) CENTER	
G230.00.01	TOMRUK YÜKLEYİCİ SİLİNDİRİ (OP)	LOG GRAPPLE CYLINDER (OP)	
G240.00.01	TOMRUK YÜKLEYİCİ SİLİNDİRİ (HAREKETLİ) (OP)	LOG GRAPPLE CYLINDER (WITH VERTICAL MOVEMENT) (OP)	
G250.00.01	DÖNERLİ KANAL KEPÇESİ SİLİNDİRİ (OP)	TILTING BUCKET CYLINDER (OP)	
G265.01.01	ARM SİLİNDİRİ, KAZICI	ARM CYLINDER, BACKHOE	
G265.02.01	ARM SİLİNDİRİ, KAZICI	ARM CYLINDER, BACKHOE	
G270.00.01	TABLA KAYDIRMA SİLİNDİRİ, DIŞ (OP)	POWER SLIDER CYLINDER, OUTER (OP)	
G270.00.02	TABLA KAYDIRMA SİLİNDİRİ, İÇ (OP)	POWER SLIDER CYLINDER, INNER (OP)	
G290.00.01	PİLOT BESLEME BLOĞU (ORANSAL VALFLİ)	PILOT SUPPLY BLOCK (WITH PROPORTIONAL VALVE)	
G300.00.01	SARSINTISIZ YÜRÜYÜŞ VALFİ, MSS	MSS, VALVE	
G310.00.01	VALF, KUMANDA DEĞİŞTİRİCİ	VALVE, PATTERN SHIFTER	

**YÜKLEYİCİ KUMANDA VALFİ- KALDIRICI SİLİNDİR, KONTROL BLOĞU (TİP B)  
LOADER CONTROL VALVE- LIFT CYLINDER CONTROL BLOCK (TYPE B)**

No	Parça No	Parça Adı	Adet	S.K.	Bas.S.N	Bit.S.N	Y.K.	Not
No	Part no	Description	Qty	SC	S/N from	S/N to	ICA	Note
0	S1824164	BOM SİLİNDİR DİLİMİ	1					
1	S1824114	KEÇE TAKIMI	1					
2	S1824104	ÇEK VALF	1					
3	S1824166	KEÇE TAKIMI	2					
4	S1824127	ÇEK VALF TAKIMI	1					
5	S1824128	KİT, BASINÇ KOMPENSATÖRÜ	1					
6	S1824102	TAPA	1					
7	S1824110	KİT, KUMANDA	1					
8	S1824122	KİT, MEKANİK KUMANDA	1					
9	S1824109	KÖRÜK KOMPLESİ	1					
10	S1824108	KEÇE TAKIMI	1					
11	S1824129	KEÇE TAKIMI	1					

**YÜKLEYİCİ KUMANDA VALFİ- ARM SİLİNDİR KONTROL, BLOĞU (TİP B)  
LOADER CONTROL VALVE- ARM CYLINDER CONTROL BLOCK (TYPE B)**

No	Parça No	Parça Adı	Description	Adet	S.K.	Bas.S.N	Bit.S.N	Y.K.	Not
No	Part no			Qty	SC	S/N from	S/N to	ICA	Note
0	S1824142	DEVİRİCİ SİLİNDİR DİLİMİ	SHOVEL RAM CONTROL BLOCK	1					
17	S1824111	KİT, BASINÇ KOMPANSATÖRÜ	PRESSURE COMPENSATOR KIT	1					
18	S1824127	ÇEK VALF TAKIMI	CHECK VALVE KIT	1					
30	S1824122	KİT, MEKANİK KUMANDA	MECHANIC OPERATION KIT	1					
36	S1824109	KÖRÜK KOMPLESİ	BOOT ASS'Y	1					
60	S1824107	KİT, ELEKTRİKLİ MANDAL	OPERATION KIT	2					
114	S1824125	EMNİYET VALFİ	RELIEF VALVE	2					
124	S1824080	KAPAK	HALF COVER	2					
129	S1824166	KEÇE TAKIMI	SEAL KIT	1					
130	S1824114	KEÇE TAKIMI	SEAL KIT	1					
140	S1824103	KİT, KEÇE	NBR ASSEMBLY SEAL KIT	1					
155	S1824129	KEÇE TAKIMI	SEAL KIT	1					

**KAZICI KUMANDA VALFİ, JOYSTİCK (PİSTONLU POMPA&FS&TİP B)  
BACKHOE CONTROL VALVE, JOYSTICK (PISTON PUMP&FS&TYPE B)**

No	Parça No	Parça Adı	Description	Adet	S.K.	Bas.S.N	Bit.S.N	Y.K.	Not
No	Part no			Qty	SC	S/N from	S/N to	ICA	Note
0	F1824200	KUMANDA VALFİ, KAZICI	BACKHOE CONTROL VALVE	1					
1	S1824144	GİRİŞ BLOĞU	INLET BLOCK, BACKHOE VALVE	1					G040.02.02
2	S1824145	DEVİRİCİ SİLİNDİR DİLİMİ	DIPPER RAM CONTROL BLOCK	1					G040.02.04
3	S1824146	DÖNÜŞ SİLİNDİRİ DİLİMİ	SLEW SWING RAM CONTROL BLOCK	1					G040.02.05
4	S1824147	AYAK SİLİNDİR DİLİMİ	STABILISER RAM CONTROL BLOCK	2					G040.02.06
5	S1824148	KEPÇE SİLİNDİRİ DİLİMİ	BUCKET RAM CONTROL BLOCK	1					G040.02.07
6	S1824149	BOM SİLİNDİR DİLİMİ	LIFT RAM CONTROL BLOCK	1					G040.02.08
7	S1824162	TELESKOPIK SİLİNDİR DİLİMİ	TELESCOPIC RAM CONTROL BLOCK	1					G040.02.09
8	S1824124	ÇIKIŞ BLOĞU, KAZICI KUMANDA VALFİ	OUTLET BLOCK, BACKHOE VALVE	1					G040.02.03

**KAZICI KUMANDA VALFİ- AYAK SİLİNDİRİ KONTROL BLOĞU, JY (TİP B)**  
**BACKHOE CONTROL VALVE-STABILIZER RAM CONTROL BLOCK, JY (TYPE B)**

No	Parça No	Parça Adı	Adet	S.K.	Bas.S.N	Bit.S.N	Y.K.	Not
No	Part no	Description	Qty	SC	S/N from	S/N to	ICA	Note
0	S1824147	AYAK SİLİNDİR DİLİMİ	1					
1	S1824111	KİT, BASINÇ KOMPANSATÖRÜ	1					
2	S1824112	ÇEK VALF TAKIMI	1					
3	S1824189	KUMANDA DİLİMİ SÜRGÜ KİTİ	1					
4	S1824114	KEÇE TAKIMI	1					
5	S1824132	KEÇE TAKIMI	1					

**KAZICI KUMANDA VALFİ-ARM-BOM-TELESKOPIK KONTROL BLOKLARI,LEVYE (TİP B)  
BACKHOE CONTROL VALVE-ARM-BOOM-TELESCOPIC CONTROL BLOCKS,LEVERS (TYPE B)**

No	Parça No	Parça Adı	Description	Adet	S.K.	Bas.S.N	Bit.S.N	Y.K.	Not
No	Part no			Qty	SC	S/N from	S/N to	ICA	Note
0	S1824171	TELESKOPIK SILINDIR KONTROL BLOGU	TELESCOPIC CYLINDER COTROL BLOCK	1					
17	S1824111	KİT, BASINÇ KOMPANSATÖRÜ	PRESSURE COMPENSATOR KIT	1					
18	S1824112	ÇEK VALF TAKIMI	CHECK VALVE KIT	1					
30	S1824122	KİT, MEKANİK KUMANDA	MECHANIC OPERATION KIT	1					
36	S1824109	KÖRÜK KOMPLESİ	BOOT ASS'Y	1					
40	S1824165	KIT, KAPAK	SPOOL RETURN OPERATION	1					
114	S1824125	EMNİYET VALFİ	RELIEF VALVE	2					
124	S1824080	KAPAK	HALF COVER	2					
129	S1824166	KEÇE TAKIMI	SEAL KIT	2					
130	S1824114	KEÇE TAKIMI	SEAL KIT	1					
140	S1824132	KEÇE TAKIMI	SEAL KIT	1					
155	S1824133	KEÇE TAKIMI	SEAL KIT	1					

**KAZICI KUMANDA VALFİ- DÖNÜŞ SİLİNDİRİ KONTROL BLOĞU, LEVYE (FS+FC,TİP B)  
BACKHOE CONTROL VALVE-SLEW SWING RAM CONTROL BLOCK LEVERS (FS+FC, TYPE B)**

No	Parça No	Parça Adı	Description	Adet	S.K.	Bas.S.N	Bit.S.N	Y.K.	Not
No	Part no			Qty	SC	S/N from	S/N to	ICA	Note
0	S1824170	KALDIRICI SİLİNDİR KONTROL BLOĞU	LIFT RAM CONTROL BLOCK	1					
17	S1824111	KİT, BASINÇ KOMPANSATÖRÜ	PRESSURE COMPENSATOR KIT	1					
18	S1824112	ÇEK VALF TAKIMI	CHECK VALVE KIT	1					
30	S1824122	KİT, MEKANİK KUMANDA	MECHANIC OPERATION KIT	1					
36	S1824109	KÖRÜK KOMPLESİ	BOOT ASS'Y	1					
40	S1824165	KİT, KAPAK	SPOOL RETURN OPERATION	1					
114	S1824125	EMNİYET VALFİ	RELIEF VALVE	2					
124	S1824080	KAPAK	HALF COVER	2					
129	S1824166	KEÇE TAKIMI	SEAL KIT	2					
130	S1824114	KEÇE TAKIMI	SEAL KIT	1					
146	S1824188	KEÇE TAKIMI	SEAL KIT	1					
155	S1824133	KEÇE TAKIMI	SEAL KIT	1					

**KAZICI KUMANDA VALFİ- ÇIKIŞ BLOĞU (TİP B)**  
**BACKHOE CONTROL VALVE -OUTLET BLOCK (TYPE B)**

No	Parça No	Parça Adı	Description	Adet	S.K.	Bas.S.N	Bit.S.N	Y.K.	Not
No	Part no			Qty	SC	S/N from	S/N to	ICA	Note
0	S1824124	ÇIKIŞ BLOĞU, KAZICI KUMANDA VALFİ	OUTLET BLOCK, BACKHOE VALVE	1					
1	S1824186	KISICI TAKIMI	SHUTTLE THROTTLE KIT	1					
2	S1824184	BOBİN	COLIL, SOLENOID	1					
3	S1824183	KİT, 2 YOLLU VALF	2 WAYS VALVE KIT	1					
4	S1824060	TAPA	OUTLET PLUG	1					
5	S1824114	KEÇE TAKIMI	SEAL KIT	1					
6	S1824181	ÇEK VALF TAKIMI	TIE ROD	3					

**KAZICI KUMANDA VALFİ-BOM KONTROL BLOĞU,JY (TİP B)**  
**BACKHOE CONTROL VALVE-BOOM CONTROL BLOCKS,JOYSTICK (TYPE B)**

No	Parça No	Parça Adı		Adet	S.K.	Bas.S.N	Bit.S.N	Y.K.	Not
No	Part no		Description	Qty	SC	S/N from	S/N to	ICA	Note
0	S1824149	BOM SİLİNDİR DİLİMİ	LIFT RAM CONTROL BLOCK	1					
1	S1824111	KİT, BASINÇ KOMPANSATÖRÜ	PRESSURE COMPENSATOR KIT	1					
2	S1824127	ÇEK VALF TAKIMI	CHECK VALVE KIT	1					
3	S1824189	KUMANDA DİLİMİ SÜRGÜ KİTİ	HYDRAULIC OPERATION KIT	1					
4	S1824125	EMNİYET VALFİ	RELIEF VALVE	2					
5	S1824166	KEÇE TAKIMI	SEAL KIT	2					
6	S1824114	KEÇE TAKIMI	SEAL KIT	1					
7	S1824132	KEÇE TAKIMI	SEAL KIT	1					
8	S1824080	KAPAK	HALF COVER	2					

**KAZICI KUMANDA VALFİ ÇIKIŞ BLOĞU, LEVYELİ (PİSTONLU POMPA & TİP B)**  
**BACKHOE CONTROL VALVE OUTLET BLOCK, LEVERS (PISTON PUMP & TYPE B)**

No	Parça No	Parça Adı	Adet	S.K.	Bas.S.N	Bit.S.N	Y.K.	Not
No	Part no	Description	Qty	SC	S/N from	S/N to	ICA	Note
0	S1824124	ÇIKIŞ BLOĞU, KAZICI KUMANDA VALFİ	1					
1	S1824186	KISICI TAKIMI	1					
2	S1824184	BOBİN	1					
3	S1824183	KİT, 2 YOLLU VALF	1					
4	S1824060	TAPA	1					
5	S1824114	KEÇE TAKIMI	1					
6	S1824181	ÇEK VALF TAKIMI	3					

**DÖNÜŞ SİLİNDİRİ KONTROL BLOĞU, LEVYELİ (PİSTONLU POMPA & TİP B)  
SLEW SWING RAM CONTROL BLOCK, LEVERS (PISTON PUMP & TYPE B)**

No	Parça No	Parça Adı	Description	Adet	S.K.	Bas.S.N	Bit.S.N	Y.K.	Not
No	Part no			Qty	SC	S/N from	S/N to	ICA	Note
0	S1824172	DÖNÜŞ SİLİNDİRİ KONTROL BLOĞU	SLEW SWING RAM CONTROL BLOCK	1					
17	S1824126	KİT, BASINÇ KOMPANSATÖRÜ	PRESSURE COMPENSATOR KIT	1					
18	S1824112	ÇEK VALF TAKIMI	CHECK VALVE KIT	1					
30	S1824122	KİT, MEKANİK KUMANDA	MECHANIC OPERATION KIT	1					
36	S1824109	KÖRÜK KOMPLESİ	BOOT ASS'Y	1					
40	S1824165	KİT, KAPAK	SPOOL RETURN OPERATION	1					
114	S1824125	EMNİYET VALFİ	RELIEF VALVE	2					
124	S1824080	KAPAK	HALF COVER	2					
129	S1824166	KEÇE TAKIMI	SEAL KIT	2					
130	S1824114	KEÇE TAKIMI	SEAL KIT	1					
146	S1824188	KEÇE TAKIMI	SEAL KIT	1					
155	S1824133	KEÇE TAKIMI	SEAL KIT	1					

**KEPÇE SİLİNDİRİ, YÜKLEYİCİ, SAĞ  
BUCKET CYLINDER, LOADER, RH**

No	Parça No	Parça Adı	Description	Adet	S.K.	Bas.S.N	Bit.S.N	Y.K.	Not
No	Part no			Qty	SC	S/N from	S/N to	ICA	Note
0	15020470	SİLİNDİR, DEVİRİCİ, SAĞ, YÜKLEYİCİ	RAM, SHOVEL, RIGHT - LEFT, LOADER	1					
1	N107506506	TAMPON KEÇE	BUFFER SEAL	1	K1				
2	80201216	BURÇ	BUSHING	1					
3	20921027	SİLİNDİR BORUSU	CYLINDER	1					
4	N102004935	O-RİNG	O-RING, PISTON	1	K2				
5	N043120686	VİDA	SCREW	1					
6	N099001060	BİLYE	BALL	1					
7	20120500	PİSTON	PISTON	1					
8	N101748065	YATAKLAMA BANDI	GUIDE RING	2	K1				
9	N103668000	PİSTON KEÇESİ	SEAL, PISTON	1	K1				
10	S4880830	KEÇE TAKIMI, PİSTON	SEAL KIT, PISTON	1	(K1)				
11	N081210020	GRESÖRLÜK	GREASE NIPPLE	2					
12	20843220	SİLİNDİR MİLİ K.K.	CYLINDER ROD W.A.	1					
13	80201214	BURÇ	BUSHING	1					
14	20314080	BOĞAZ KAPAĞI	HEAD COVER	1					
15	N105505805	TOZ KEÇESİ	SEAL DUST	1	K1				
16	N104506013	BOĞAZ KEÇESİ	SEAL, HEAD	1	K1				
17	N100505597	YATAKLAMA BANDI	GUIDE RING	2	K2				
18	20214080	BOĞAZ	HEAD, CYLINDER	1					
19	N102007340	O-RİNG	O-RING	1	K2				
20	S4891220	KEÇE TAKIMI, BOĞAZ	SEAL KIT, HEAD	1	(K1)				
21	N102007420	O-RİNG	O-RING	1	K1				
22	N102009029	O-RİNG	O-RING	1	K1				

**AYAK SİLİNDİRİ, SOL  
STABILIZER CYLINDER, LH**

No	Parça No	Parça Adı	Description	Adet	S.K.	Bas.S.N	Bit.S.N	Y.K.	Not
No	Part no			Qty	SC	S/N from	S/N to	ICA	Note
0	15020237	SİLİNDİR KOMPLESİ, AYAK, SOL	CYLINDER ASS'Y, STABILIZER, LH	1					
1	N107506004	TAMPON KEÇE	BUFFER SEAL	1	K2				
2	N050220200	SEGMAN	RETAINING RING	2					
3	20700500	BURÇ	BUSHING, SPHERICAL	1					
4	20920588	SİLİNDİR BORUSU K.K.	CYLINDER TUBE W.A.	1					
5	81052125	KELEPÇE	CLAMP	1					
6	N015890326	CIVATA	BOLT	2					
7	N101657056	YATAKLAMA BANDI, PİSTON	WEAR RING, PISTON	2	K1				
8	N103587000	PİSTON KEÇESİ	PISTON SEAL	1	K1				
9	20120450	PİSTON	PISTON	1					
10	N102004035	O-RİNG, PİSTON	O-RING, PISTON	1	K1				
11	N099001060	BİLYE	BALL	1					
12	N043120686	VİDA	SCREW	1					
13	20843260	SİLİNDİR MİLİ K.K.	CYLINDER ROD W.A.	1					
14	80204213	BURÇ	BUSHING	1					
15	20314075	BOĞAZ KAPAĞI	HEAD COVER	1					
16	N105505805	TOZ KEÇESİ	SEAL DUST	1	K1				
17	N104506013	BOĞAZ KEÇESİ	SEAL, HEAD	1	K1				
18	N100505597	YATAKLAMA BANDI	GUIDE RING	2	K2				
19	20214075	BOĞAZ	HEAD, CYLINDER	1					
20	N102006440	O-RİNG	O-RING	1	K2				
21	S4880710	KEÇE TAKIMI, PİSTON	SEAL KIT, PISTON	1	(K1)				
22	S4891211	KEÇE TAKIMI, BOĞAZ	SEAL KIT, HEAD	1	(K2)				
23	N102008030	O-RİNG, BOĞAZ	O-RING, CLINDER HEAD	1	K2				
24	N102007002	O-RİNG	O-RING	1	K2				
25	80204230	BURÇ	BUSHING, SPHERICAL	1					
26	80205200	BURÇ, MAFSAL	BUSHING, SPHERICAL	1					

**KEPÇE SİLİNDİRİ, KAZICI  
BUCKET CYLINDER, BACKHOE**

No	Parça No	Parça Adı	Description	Adet	S.K.	Bas.S.N	Bit.S.N	Y.K.	Not
No	Part no			Qty	SC	S/N from	S/N to	ICA	Note
0	15120640	SİLİNDİR KOMPLESİ, KAZICI KEPÇE	CYLINDER ASS'Y, BACKHOE BUCKET	1					
1	N104607506	TAMPON KEÇE	BUFFER SEAL, HEAD	1	K1				
2	80201360	SERT BURÇ	BUSHING	1					
3	N081210020	GRESÖRLÜK	GREASE NIPPLE	2					
4	20921223	SİLİNDİR BORUSU K.K.	CYLINDER TUBE W.A.	1					
5	N102004935	O-RİNG	O-RING, PISTON	1	K2				
6	N099001060	BİLYE	BALL	1					
7	N043120710	SETSKUR	SETSCREW, M6x15	1					
8	20120600	PİSTON	PISTON	1					
9	N101849065	YATAKLAMA BANDI	GUIDE RING	2	K1				
10	N103709000	PİSTON KEÇESİ	SEAL, PISTON	1	K1				
11	S4880955	KEÇE TAKIMI, PİSTON	SEAL KIT, PISTON	1	(K1)				
12	80201356	SERT BURÇ	BUSHING	1					
13	20843300	SİLİNDİR MİLİ K.K.	CYLINDER ROD W.A.	1					
14	20314095	BOĞAZ KAPAĞI	HEAD COVER	1					
15	N105607006	TOZ KEÇESİ	SEAL DUST	1	K1				
16	N104607015	BOĞAZ KEÇESİ	SEAL, HEAD	1	K2				
17	N100606515	YATAKLAMA BANDI	GUIDE RING, HEAD	2	K1				
18	N102008440	O-RİNG	O-RING	1	K2				
19	20214095	BOĞAZ	HEAD, CYLINDER	1					
20	S4891231	KEÇE TAKIMI, BOĞAZ	SEAL KIT, HEAD	1	(K2)				
21	N012009931	O-RİNG	O-RING	1	K2				
22	N102008720	O-RİNG	O-RING	1	K2				

**TESVİYE KÜREĞİ SİLİNDİRİ (ÇİFT EKSENLİ) SAĞ (OP)  
LEVELLING BLADE CYLINDER (DOUBLE AXIS) RH (OP)**

No	Parça No	Parça Adı	Description	Adet	S.K.	Bas.S.N	Bit.S.N	Y.K.	Not
No	Part no			Qty	SC	S/N from	S/N to	ICA	Note
0	15020610	SİLİNDİR KOMPLESİ, TESVİYE KÜREĞİ, SAĞ	CYLINDER ASS'Y, LEVELLING BLADE, RH	1					
1	S4890800	KEÇE TAKIMI, BOĞAZ	SEAL KIT, HEAD	1	(K2)				
2	N050220200	SEGMAN	RETAINING RING	2					
3	20700410	BURÇ, MAFSAL	BUSHING, SPHERICAL	1					
4	20921070	SİLİNDİR BORUSU K.K.	CYLINDER TUBE W.A.	1					
5	N061005100	GUPİLYA	COTTER PIN	1					
6	20105600	PİSTON	PISTON	1					
7	N103668000	PİSTON KEÇESİ	SEAL, PISTON	1	K1				
8	N101748065	YATAKLAMA BANDI	GUIDE RING	2	K1				
9	N102003935	O-RİNG	O-RING, PISTON	1	K1				
10	S4880801	KEÇE TAKIMI, PİSTON	SEAL KIT, PISTON	1	(K1)				
11	N081210020	GRESÖRLÜK	GREASE NIPPLE	2					
12	20700400	BURÇ, MAFSAL	BUSHING, SPHERICAL	1					
13	20814200	SİLİNDİR MİLİ K.K.	CYLINDER ROD W.A.	1					
14	20306000	BOĞAZ KAPAĞI	HEAD COVER	1					
15	N105505804	TOZ KEÇESİ	SEAL DUST	1	K2				
16	N104506010	BOĞAZ KEÇESİ	SEAL, HEAD	1	K2				
17	N100505597	YATAKLAMA BANDI	GUIDE RING	2	K2				
18	20210900	BOĞAZ, SİLİNDİR	HEAD, CYLINDER	1					
19	N102007340	O-RİNG	O-RING	1	K2				

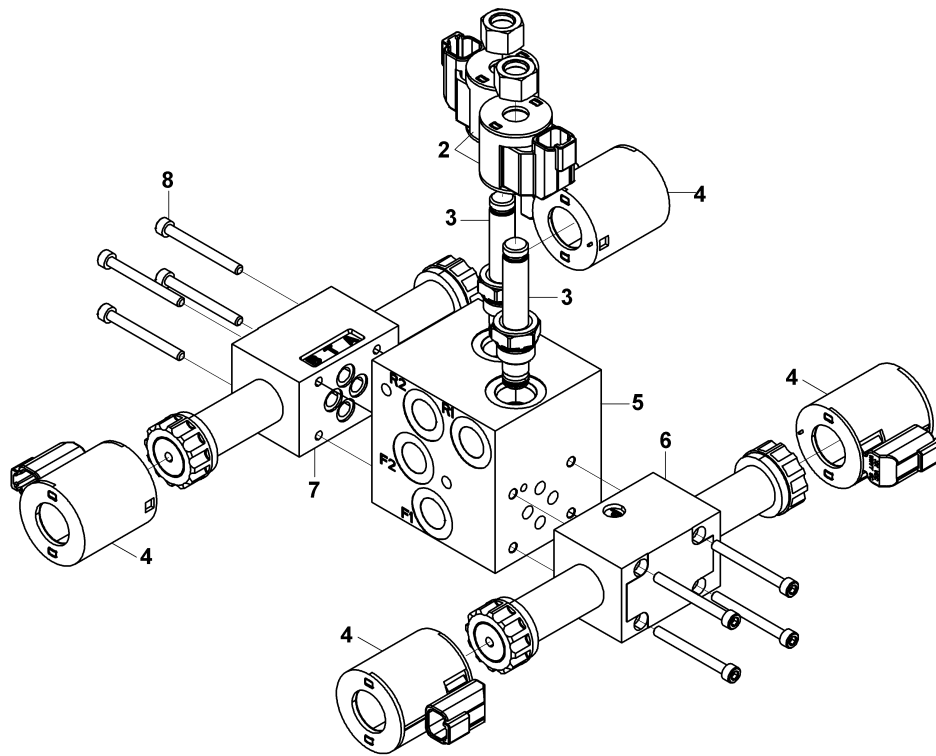
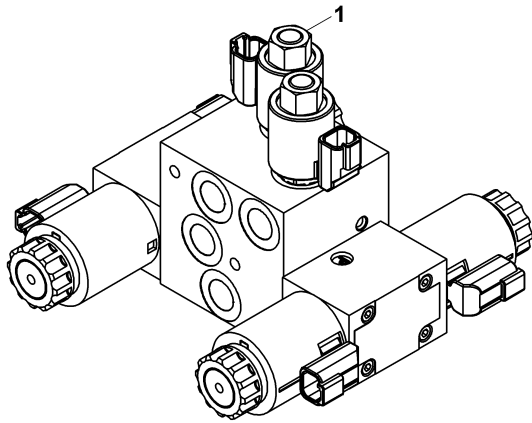
**DÖNERLİ KANAL KEPÇESİ SİLİNDİRİ (OP)**  
**TILTING BUCKET CYLINDER (OP)**

No	Parça No	Parça Adı	Description	Adet	S.K.	Bas.S.N	Bit.S.N	Y.K.	Not
No	Part no			Qty	SC	S/N from	S/N to	ICA	Note
0	15120910	SİLİNDİR KOMPLESİ, DÖNERLİ KANAL KEPÇESİ	CYLINDER ASS'Y, TILTING BUCKET	1					
1	20920910	SİLİNDİR BORUSU K.K.	CYLINDER TUBE W.A.	1					
2	S4890800	KEÇE TAKIMI, BOĞAZ	SEAL KIT, HEAD	1	(K2)				(K2)
3	N061005100	GUPİLYA	COTTER PIN	1					
4	20110900	PİSTON	PISTON	1					
5	N103668000	PİSTON KEÇESİ	SEAL, PISTON	1	K1				K1
6	N102004035	O-RİNG, PİSTON	O-RING, PISTON	1	K1				K1
7	S4880802	KEÇE TAKIMI, PİSTON	SEAL KIT, PISTON	1	(K1)				(K1)
8	20810900	SİLİNDİR MİLİ K.K.	CYLINDER ROD W.A.	1					
9	N081210020	GRESÖRLÜK	GREASE NIPPLE	1					
10	80205200	BURÇ, MAFSAL	BUSHING, SPHERICAL	1					
11	80204212	BURÇ, MAFSAL	BUSHING, SPHERICAL	1					
12	N050220200	SEGMAN	RETAINING RING	1					
13	20306000	BOĞAZ KAPAĞI	HEAD COVER	1					
14	N105505804	TOZ KEÇESİ	SEAL DUST	1	K2				K2
15	N104506010	BOĞAZ KEÇESİ	SEAL, HEAD	1	K2				K2
16	N100505597	YATAKLAMA BANDI	GUIDE RING	2	K2				K2
17	20210900	BOĞAZ, SİLİNDİR	HEAD, CYLINDER	1					
18	N102007340	O-RİNG	O-RING	1	K2				K2

**PİLOT BESLEME BLOĞU (ORANSAL VALFLİ)  
PILOT SUPPLY BLOCK (WITH PROPORTIONAL VALVE)**

No	Parça No	Parça Adı	Description	Adet	S.K.	Bas.S.N	Bit.S.N	Y.K.	Not
No	Part no			Qty	SC	S/N from	S/N to	ICA	Note
0	F1873133	TOPUZ	KNOB	1					
1	S1830175	BASINÇ DÜŞÜRÜCÜ VALF, 35 BAR	PRESSURE REDUCING VALVE, 35 BAR	1					
2	S1830178	SOLENOİD VALF KOMPLESİ	SOLENOID VALVE	1					
3	S1830131	BOBİN	COIL	1					
4	S1830132	KEÇE TAKIMI	SEAL KIT	1					
5	S1830179	BASINÇ DÜŞÜRÜCÜ VALF (40 BAR)	PRESSURE SETTING, 40 BAR	1					
6	S1830133	SOMUN	NUT	1					M8
7	S1830134	VİDA	SCREW	1					
8	S1830135	YAY TUTUCU	SPRING SEAT	1					
9	S1830136	YAY	SPRING	1					
10	S1830137	KILAVUZ, GİRİŞ	INLET PART	1					
11	S1830138	SOMUN	NUT	1					M8
12	S1830139	VİDA	SCREW	4					M4x10
13	S1830140	ORANSAL VALF	PROPORTIONAL VALVE	2					
14	S1830182	BLOK, VALF	BLOCK	1					
15	S1830141	ÇEK VALF KOMPLESİ	CHECK VALVE ASS'Y	1					
16	S1830176	ÇEK VALF	CHECK VALVE	1					
17	S1830142	O-RİNG	O-RING	1					

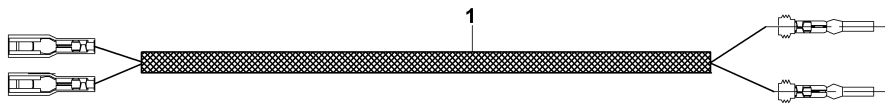
KOMBİNASYON VALFİ  
COMBINATION VALVE



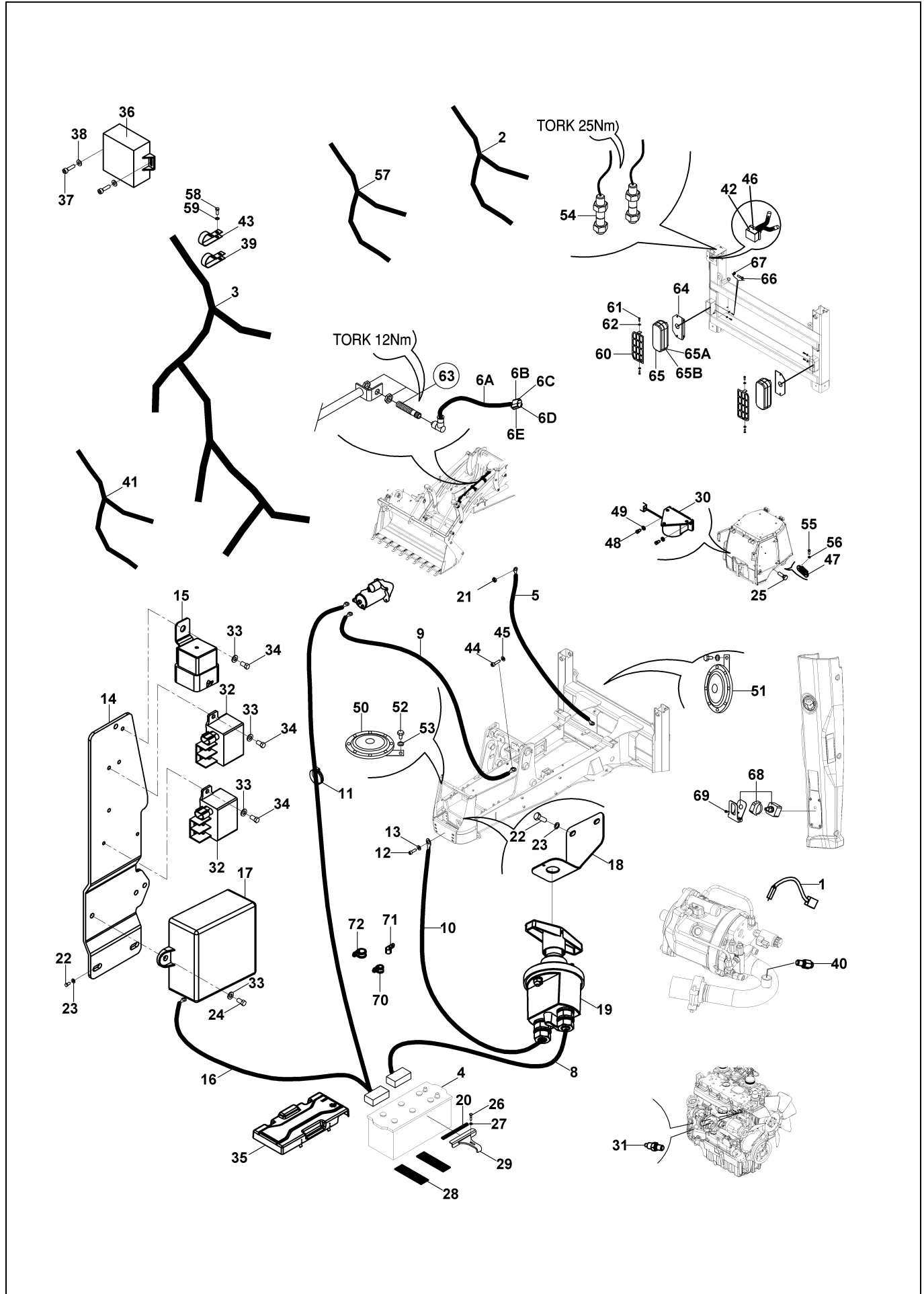
**HİDROLİK TESİSAT, FREN  
HYDRAULIC PIPING, BRAKE**

No	Parça No	Parça Adı	Description	Adet	S.K.	Bas.S.N	Bit.S.N	Y.K.	Not
No	Part no			Qty	SC	S/N from	S/N to	ICA	Note
49	80624018	NİPEL	ADAPTER	1					
51	N030810014	PUL	WASHER	2					
53	01890157	PEDAL KOMPLESİ, SAĞ	PEDAL ASS'Y, RH	1					
54	01992726	BRAKET K.K.	BRACKET W.A.	1					
55	80208022	BURÇ	BUSHING	2					
56	01890156	PEDAL KOMPLESİ, SOL	PEDAL ASS'Y, LH	1					
57	01992725	BRAKET K.K.	BRACKET W.A.	1					
58	80208022	BURÇ	BUSHING	2					
59	01992724	BRAKET K.K.	BRACKET W.A.	1					
60	01992940	PİM	PIN	1					
61	N030100029	PUL	WASHER	1					
62	N025900194	SOMUN	NUT	1					M16x1.5
63	81040057	TAHDİT TAKOZU	STOPPER	1					
64	N023570158	SOMUN	NUT	1					
65	83007030	PUL	WASHER	2					
66	80201586	BURÇ	BUSHING	1					
67	02040401	LASTİK, FREN PEDALI, SAĞ	RUBBER, BRAKE PEDAL	1					
68	02040402	LASTİK, FREN PEDALI, SOL	RUBBER, BRAKE PEDAL, LEFT	1					
69	02021665	PİM	PIN, LOCKING	1					
70	80701521	YAY	SPRING	1					
71	02040404	PİM, KİLİT	PIN, LOCKING	1					
72	80702409	YAY	SPRING	2					
73	F3093505	AKÜMÜLATÖR	ACCUMULATOR	1					
74	80624018	NİPEL	ADAPTER	1					

KABİN ELEKTRİĞİ (4)  
CAB ELECTRIC (4)



ELEKTRİK (1)  
ELECTRIC (1)



**Y - DİĞERLERİ (ETİKET, AVADANLIK)**  
**Y - OTHERS (DECAL, TOOLS)**

<b>Sayfa No / Page No</b>	<b>Sayfa Adı</b>	<b>Page Name</b>	<b>Revizyon / Revision</b>
Y010.00.02	ETİKETLER, UYARI	DECALS, WARNING	
Y010.10.01	ETİKET VE LEVHALAR (1)	DECAL AND PLATES (1)	
Y020.73.01	ETİKET VE LEVHALAR (TÜRKÇE) (2)	DECAL AND PLATES (TR) (2)	
Y020.74.01	ETİKET VE LEVHALAR (İNGİLİZCE) (2)	DECAL AND PLATES (EN) (2)	
Y020.75.01	ETİKET VE LEVHALAR (FRANSIZCA) (2)	DECAL AND PLATES (FR) (2)	
Y020.76.01	ETİKET VE LEVHALAR (İSPANYOLCA) (2)	DECAL AND PLAT (ES) (2)	
Y020.77.01	ETİKET VE LEVHALAR (RUSCA) (2)	DECAL AND PLATES (RUSCA) (2)	
Y020.78.01	ETİKET VE LEVHALAR (PORTEKİZCE) (2)	DECAL AND PLATES (PO) (2)	
Y020.79.01	ETİKET VE LEVHALAR (BULGARCA) (2)	DECAL AND PLATES (BG) (2)	
Y030.00.01	ETİKET VE LEVHALAR, KIRICI	DECAL AND PLATES, BREAKER	
Y040.00.03	AVADANLIK TAKIMI	TOOL KIT	

**ETİKET VE LEVHALAR (FRANSIZCA) (2)**  
**DECAL AND PLATES (FR) (2)**

No	Parça No	Parça Adı	Description	Adet	S.K.	Bas.S.N	Bit.S.N	Y.K.	Not
No	Part no			Qty	SC	S/N from	S/N to	ICA	Note
0	01754150	ETİKET KOMPLESİ	DECAL, ASS'Y.	1					
1	40050047	ETİKET, YAĞLAMA ŞEMASI, 102S, FR	DECAL, LUBRICATION TABLE	1					
2	Y0650246	ETİKET, BAKIM TABLOSU, 102S, FR.	DECAL, MAINTENANCE TABLE, 102S, FR.	1					
3	Y0650280	İSİM PLAKASI, MAKİNE, FR.	NAME PLATE, FR.	1					
4	Y0611421	ETİKET, MAKİNA BOYUTU	DECAL, DIMENSION	1					
5	Y0650240	ETİKET, HAVA FİLTRESİ UYARI, FR.	DECAL, WARNING, AIR FILTER, FR.	1					
6	Y0650111	ETİKET, ATAŞMAN , FR.	DECAL, ATTACHMENT TYPE, FR.	1					
7	Y0650260	ETİKET, ANTİFİRİZ, FR.	DECAL, ANTIFREEZE, FR	1					
8	Y0650228	ETİKET, SİGORTA-RÖLE TABLASI, FR.	DECAL, FUSE-RELAY BOARD, FR.	1					
9	Y0650252	ETİKET, YAKIT UYARI	DECAL,WARNING, FUEL	1					
10	N130010090	PERÇİN	BLIND RIVET	2					
11	N130020295	PERÇİN	RIVET	4					
12	Y0650254	ETİKET, DÖNÜŞ KİLİT PİMİ	DECAL, BOOM SWING LOCK PIN	1					
13	Y0650175	ETİKET, ŞANZİMAN YAĞ SEVİYESİ, FR	DECAL, TRANSMISSION OIL LEVEL, FR.	1					
14	Y0650094	ETİKET, EMNİYET DEMİRİ	DECAL, SAFETY STRUT	1					

**ETİKET VE LEVHALAR, KIRICI  
DECAL AND PLATES, BREAKER**

No	Parça No	Parça Adı	Adet	S.K.	Bas.S.N	Bit.S.N	Y.K.	Not
No	Part no	Description	Qty	SC	S/N from	S/N to	ICA	Note
1	Y0611253	ETİKET, KIRICI VANASI FONKSİYONU	1					
2	Y0611265	ETİKET, TB - (KIRICI/BURGU) KULLANIMI	1					
3	Y0611311	ETİKET, K30 MONTABERT	1					
4	Y0611312	ETİKET, K40 MONTABERT	1					
5	Y0611306	ETİKET, HİDROMEK	1					
7	Y0611331	ETİKET, YAĞLAMA İKAZ	1					
8	Y0621552	ETİKET, KIRICI , TR	1					
8	Y0650127	ETİKET, KIRICI , İNG.	1					
9	Y0611263	ETİKET, KIRICI	1					
10	Y0611262	ETİKET, KIRICI	1					

**SİLİNDİR KAPAĞI  
CYLINDER HEAD**

No	Parça No	Parça Adı	Adet	S.K.	Bas.S.N	Bit.S.N	Y.K.	Not
No	Part no	Description	Qty	SC	S/N from	S/N to	ICA	Note
1		SİLİNDİR KAPAĞI KOMPLE	1					
2		SİLİNDİR KAPAĞI	1					
3	F0124142	O-RİNG	16					
4	S0120037	TAPA	8					
5	S0120037	TAPA	1					
6	S0120039	TAPA	1					
7	S0120039	TAPA	1					
8	S0120039	TAPA	1					
9	S0120042	TAPA	4					
10	S0120043	CONTA	1					
11	S0120044	CIVATA	10					
12	F0132710	TAPA	1					
13	F0124142	O-RİNG	1					
14	F0132710	TAPA	1					
15	F0124142	O-RİNG	1					
16	S0120118	TAPA	1					
10	S0120045	CONTA KİTİ	1					
10	S0120046	CONTA KİTİ	1					

**VOLAN  
FLYWHEEL & STARTER RING**

No	Parça No	Parça Adı	Adet	S.K.	Bas.S.N	Bit.S.N	Y.K.	Not
No	Part no	Description	Qty	SC	S/N from	S/N to	ICA	Note
1	S0120198	VOLAN KOMPLESİ	1					
2		VOLAN	1					
3	S0120200	DİŞLİ	1					
4	F0132132	CIVATA	10					
5	F0133136	PUL	10					

**YAĞ PÜSKÜRTME PİSTONU  
PISTON COOLING JET**

No	Parça No	Parça Adı	Adet	S.K.	Bas.S.N	Bit.S.N	Y.K.	Not
No	Part no	Description	Qty	SC	S/N from	S/N to	ICA	Note
1	S0120075	PİSTON YAĞ PÜSKÜRTME MEMESİ	4					
2	F0123127	CIVATA	4					

**MONTAJ (ÖN & ARKA)**  
**MOUNTINGS (FRONT & REAR)**

No	Parça No	Parça Adı	Adet	S.K.	Bas.S.N	Bit.S.N	Y.K.	Not
No	Part no	Description	Qty	SC	S/N from	S/N to	ICA	Note
1	S0120401	SAPLAMA	4					
2	S0120402	SOMUN	4					
3	S0120401	SAPLAMA	4					
4	S0120402	SOMUN	4					
5	S0120405	TAPA	6					
6	S0120405	TAPA	4					

**YAĞ EMİŞ BORUSU  
OIL STRAINER**

No	Parça No	Parça Adı		Adet	S.K.	Bas.S.N	Bit.S.N	Y.K.	Not
No	Part no		Description	Qty	SC	S/N from	S/N to	ICA	Note
1	S0120214	BORU	PIPE-OIL SUCTION	1					
2	F0136858	CONTA	JOINT	1					
3	F0117985	CIVATA	BOLT	2					

**HAVALANDIRMA  
BREATHER**

No	Parça No	Parça Adı	Adet	S.K.	Bas.S.N	Bit.S.N	Y.K.	Not
No	Part no	Description	Qty	SC	S/N from	S/N to	ICA	Note
1	S0120233	HAVALANDIRMA	1					
2		HAVALANDIRMA	1					
3		HAVALANDIRMA	1					
4	S0120234	HAVALANDIRMA ELEMANI	1					
5		HAVALANDIRMA ELEMANI KİTİ	1					
6	S0120235	HAVALANDIRMA ELEMANI	1					
7		KEÇE	1					
8		GÖVDE, HAVALANDIRMA	1					
9	F0123160	CIVATA	1					

**KAYIŞ GERDİRİCİ  
BELT TENSIONER**

No	Parça No	Parça Adı	Adet	S.K.	Bas.S.N	Bit.S.N	Y.K.	Not
No	Part no	Description	Qty	SC	S/N from	S/N to	ICA	Note
1	S0120208	GERDİRİCİ	1					
2	S0120209	KASNAK	1					

**YAKIT FİLTRESİ**  
**FUEL FILTER**

No	Parça No	Parça Adı	Adet	S.K.	Bas.S.N	Bit.S.N	Y.K.	Not
No	Part no	Description	Qty	SC	S/N from	S/N to	ICA	Note
1	S0120381	FİLTRE KOMPLESİ, YAKIT	1					
2		KAPAK, YAKIT FİLTRESİ	1					
3		TAPA	5					
4		KONNEKTÖR	2					
5		ARA PARÇA	1					
6	S0120382	CIVATA	1					
7	S0120383	SENSÖR	1					
8	S0120384	GÖVDE, YAKIT FİLTRESİ	1					
9		GÖVDE, YAKIT FİLTRESİ	1					
10	S0120385	FİLTRE, YAKIT	1					
11	S0120386	TAPA	1					
12	S0120387	FİLTRE KOMPLESİ, YAKIT	1					
13		KAPAK, YAKIT FİLTRESİ	1					
14	S0120388	TAPA	1					
15		TAPA	1					
16		O-RİNG	1					
17	S0120389	FİLTRE KOMPLESİ, YAKIT	1					
18		GÖVDE, YAKIT FİLTRESİ	1					
19	S0120390	FİLTRE, YAKIT	1					
20	S0120386	TAPA	1					
21	S0120146	KİT, BAKIM	1					

**ELEKTRİK TESİSATI  
WIRING HARNESS**

No	Parça No	Parça Adı	Description	Adet	S.K.	Bas.S.N	Bit.S.N	Y.K.	Not
No	Part no			Qty	SC	S/N from	S/N to	ICA	Note
1	S0120430	ELEKTRİK TESİSATI	WIRING HARNESS	2					
2		ELEKTRİK TESİSATI	WIRING HARNESS	1					
3	S0120431	O-RİNG	SEAL-O RING	1					
4	S0120432	KABLO BAĞI	CABLE TIE	2					
5	S0120433	KABLO BAĞI	CABLE TIE	1					
6	S0120434	CIVATA	SCREW	2					
7	S0120435	BRAKET	BRACKET	1					
8	S0120436	BRAKET	BRACKET	1					
9	F0123137	CIVATA	BOLT	2					
10	S0120437	BRAKET	BRACKET	1					
11	S0120438	BRAKET	BRACKET	2					
12	S0120438	BRAKET	BRACKET	1					
13	F0123102	CIVATA	BOLT	1					
14	S0120174	KABLO BAĞI	CABLE TIE	1					
15	S0120441	BRAKET	BRACKET	1					
16	F0123102	CIVATA	BOLT	2					
17	S0120442	BRAKET	BRACKET	1					
18	F0121317	CIVATA	SCREW	4					
19	S0120443	KELEPÇE	CLIP	1					
20	S0120444	CIVATA	SCREW	1					
21	S0120445	BRAKET	BRACKET	1					
22	F0121317	CIVATA	SCREW	1					
23	F0121317	CIVATA	SCREW	1					

**ELEKTRONİK SENSÖRLER  
ELECTRONIC SENSORS**

No	Parça No	Parça Adı		Adet	S.K.	Bas.S.N	Bit.S.N	Y.K.	Not
No	Part no		Description	Qty	SC	S/N from	S/N to	ICA	Note
1	S0120175	SENSÖR	SENSOR	1					
2	S0120163	O-RİNG	SEAL-O RING	1					
3	S0120177	SENSÖR, HARARET	TEMPERATURE SENSOR	1					
4	S0120088	O-RİNG	SEAL-O RING	1					
5	S0120177	SENSÖR, HARARET	TEMPERATURE SENSOR	1					
6	F0124142	O-RİNG	O-RING	1					
7	S0120180	SENSÖR, HIZ	SPEED SENSOR	1					
8	S0120181	O-RİNG	SEAL-O RING	1					
9	F0123121	CIVATA	SCREW	1					
10	S0120180	SENSÖR, HIZ	SPEED SENSOR	1					
11	S0120181	O-RİNG	SEAL-O RING	1					
12	F0123121	CIVATA	SCREW	1					
13	S0120184	SENSÖR	SENSOR	1					
14	F0124146	O-RİNG	O-RING	1					
15	S0120185	SENSÇR, HAVA BASINÇ	AIR PRESSURE SENSOR	1					

**EGZOZ MANİFOLDU  
EXHAUST MANIFOLD**

No	Parça No	Parça Adı	Adet	S.K.	Bas.S.N	Bit.S.N	Y.K.	Not
No	Part no	Description	Qty	SC	S/N from	S/N to	ICA	Note
1	S0120348	EGZOZ MANİFOLDU	1					
2	S0120349	CONTA	1					
3	S0120350	ARA PARÇA	8					
4	S0120351	CIVATA	8					

# INDEX

# INDEX

Parça No	Sayfa No	No
Part no	Page No	No
6664426505	F150.03.01	2
6664426505	F150.05.01	2
7013329240	A050.07.01	44
7013329265	A050.07.01	45
7024429290	F050.43.01	64
7024429290	F050.44.01	53
7024429340	F050.43.01	55
7024429340	F050.44.01	55
79900120	A080.02.01	35
79900120	A080.03.01	35
79900120	A090.04.01	66
79901020	A090.02.02	3
79901021	A080.02.01	10
79901021	A080.03.01	10
79901022	A080.02.01	9
79901022	A080.03.01	9
79901023	A080.02.01	11
79901023	A080.03.01	11
79901023	A090.04.01	11
79901024	A080.02.01	6
79901025	A080.02.01	5
79905058	A080.02.01	39
79905058	A080.03.01	39
79905058	A090.04.01	70
79905060	A080.02.01	41
79905060	A080.03.01	41
79905060	A090.04.01	72
79905061	A080.02.01	43
79905061	A080.03.01	26
79905061	A090.04.01	74
79905062	A080.02.01	38
79905062	A080.03.01	38
79905062	A090.04.01	69
79905063	A080.02.01	36
79905063	A080.03.01	36
79905063	A090.04.01	67
79905064	A080.02.01	37
79905064	A080.03.01	37
79905064	A090.04.01	68
80100555	B070.01.01	10
80100970	F200.02.01	6
80100971	F200.02.01	7
80100990	F040.03.01	6
80101015	D150.06.01	6
80101210	D050.01.01	39
80101210	D050.02.01	39
80101210	D050.03.01	9
80101215	D050.00.01	5
80101220	D050.00.01	4
80101220	D050.01.01	45
80101220	D050.03.01	3
80101225	D050.02.01	45
80102016	D020.00.01	3
80102016	D020.01.01	3
80102016	D020.02.01	3
80102016	D020.03.01	3
80102016	D020.04.01	3
80102035	B020.00.01	5
80102070	D040.04.01	11
80102074	D050.01.01	23
80102075	D040.04.01	25
80102076	D010.01.01	44

Parça No	Sayfa No	No
Part no	Page No	No
80102077	D050.01.01	38
80102077	D050.02.01	38
80102078	D010.01.03	14
80102140	D040.04.01	43
80102153	D040.04.01	27
80102222	D080.00.01	2
80102280	B060.00.01	10
80102312	B060.00.01	12
80102315	B060.00.01	6
80104096	D020.00.01	6
80104096	D020.01.01	6
80104096	D020.02.01	7
80104096	D020.03.01	6
80104096	D020.04.01	6
80104098	D020.00.01	25
80104098	D020.01.01	25
80104098	D020.02.01	32
80104098	D020.03.01	25
80104098	D020.04.01	25
80104115	D070.00.01	44
80104118	D050.00.01	8
80104118	D050.03.01	2
80104120	D010.01.03	7
80104130	D010.01.03	2
80105066	D010.01.01	12
80105068	D010.01.01	37
80105070	D010.01.01	5
80105082	B020.00.01	14
80107051	G150.00.01	13
80107060	G160.00.01	13
80107060	G170.00.01	24
80107060	G265.02.01	24
80110015	D050.01.01	40
80110015	D050.02.01	40
80110020	D040.04.01	34
80110026	B020.00.01	23
80110054	D060.02.01	10
80110055	D060.00.01	5
80110055	D060.01.01	8
80110070	D160.00.01	26
80110070	D160.01.01	26
80110070	D160.02.01	26
80110110	D060.01.01	11
80110110	D060.02.01	13
80110118	D060.02.01	9
80110119	D060.00.01	13
80111011	C130.01.01	27
80111018	C130.01.01	18
80111100	D010.01.01	13
80111110	D010.01.01	6
80112040	D120.00.01	19
80114048	D140.00.01	6
80114520	D060.00.01	11
80114520	D060.01.01	4
80114520	D060.02.01	5
80116200	B070.01.01	22
80116200	F200.02.01	8
80118111	D010.01.01	28
80119100	D010.01.01	49
80119160	D010.01.01	9
80120105	E010.04.01	12
80162217	F040.02.01	9

Parça No	Sayfa No	No
Part no	Page No	No
80201005	C020.01.01	41
80201005	C030.01.01	41
80201016	D050.01.01	25
80201016	D050.02.01	25
80201017	C130.01.01	14
80201040	G190.00.01	3
80201076	D010.01.01	23
80201180	G210.00.01	2
80201210	D120.00.01	11
80201210	D120.00.01	25
80201214	G080.00.01	12
80201214	G100.00.01	13
80201214	G110.00.01	13
80201216	G100.00.01	2
80201216	G110.00.01	2
80201218	D010.01.01	2
80201218	D010.01.01	22
80201218	D010.01.01	26
80201218	G210.00.01	18
80201222	D090.00.01	3
80201222	D090.02.01	20
80201222	D100.00.01	4
80201285	B010.15.01	4
80201355	D010.01.01	27
80201356	G130.01.01	2
80201356	G140.01.01	2
80201356	G170.00.01	12
80201356	G180.00.01	12
80201356	G180.01.01	12
80201356	G265.02.01	12
80201360	G130.01.01	12
80201360	G140.01.01	12
80201360	G160.00.01	2
80201360	G170.00.01	2
80201360	G180.00.01	2
80201360	G180.01.01	2
80201360	G265.02.01	2
80201362	G160.00.01	1
80201375	G265.01.01	12
80201387	D100.00.01	3
80201419	B010.15.01	5
80201442	B010.15.01	3
80201446	B050.00.01	5
80201447	B050.00.01	11
80201465	G150.00.01	2
80201510	G170.00.01	14
80201510	G265.02.01	14
80201513	G080.00.01	2
80201513	G265.01.01	2
80201516	D010.01.01	24
80201531	D080.00.01	19
80201558	B060.00.01	3
80201579	B060.00.01	4
80201586	J010.06.01	58
80201586	J010.09.01	66
80201600	D040.04.01	30
80201624	B050.00.01	15
80201626	B050.00.01	15
80201640	D050.01.01	30
80201640	D050.02.01	30
80202680	D010.01.01	21
80203100	D120.00.01	24

# INDEX

Parça No	Sayfa No	No
Part no	Page No	No
F3093531	F060.10.01	30
F3093531	F060.11.01	30
F3093531	F060.12.01	30
F3093531	F060.13.01	30
F3093531	F060.14.01	30
F3112023	A080.02.01	3
F3112023	A080.03.01	3
F3112023	A090.04.01	3
F3113111	C110.01.01	11
F3113111	C120.01.01	6
F3113120	B070.01.01	15
F3114351	C110.01.01	12
F3114351	C120.01.01	7
F3114362	A020.04.01	1
F3114363	A020.04.01	10
F3210530	K010.02.06	2A
F3210565	K010.01.03	28
F3210568	K010.01.03	25
F3210640	K010.01.03	29
F3210645	K010.01.03	30
F3210775	C010.01.01	1
F3218104	C020.01.01	38
F3218108	C030.01.01	38
F3218600	C050.02.01	14
F3218691	C050.02.01	12
F3220175	C060.01.01	5
F3220175	C060.03.01	1
F3220176	C060.03.01	13
F3220177	C060.01.01	4
F3220179	A090.02.02	4
F3220180	C090.01.01	38
F3220181	C070.01.01	17
F3220182	C070.01.01	16
F3220183	C080.01.01	18
F3220186	K010.12.01	31
F3221032	K010.01.03	16
F3221033	K010.01.03	18
F3221064	K010.01.03	20
F3221068	K010.01.03	17
F3300600	C040.00.01	1
F3321002	C040.00.01	24
F3321014	C040.00.01	2
F3321022	C020.01.01	22
F3321027	C030.01.01	22
F3321041	C040.00.01	25
F3321046	C040.00.01	26
F3321112	C020.01.01	36
F3321113	C030.01.01	36
F3321114	C020.01.01	37
F3321115	C030.01.01	37
F4190971	E020.03.01	2
F4190971	E030.05.01	2
F4264200	E030.05.01	1
F4264600	E020.03.01	1
F4500400	D150.08.02	0
F4501030	D150.06.01	4
F4501030	D150.06.02	0
F4501060	D150.06.01	5
F4501065	D150.06.01	5
F4501420	D150.05.02	32
F4501420	D150.10.02	39
F4501425	D150.05.02	32

Parça No	Sayfa No	No
Part no	Page No	No
F4501425	D150.10.02	39
F4501430	D150.05.02	32
F4501432	D150.05.02	32
F4502960	D150.07.02	0
F4503210	D150.07.01	16
F4503210	D150.07.02	96
F4503211	D150.07.02	96
F4503212	D150.07.02	96
F4503213	D150.07.02	96
F4503214	D150.07.02	96
F4503215	D150.07.02	96
F4504000	D150.08.01	1
F4504010	D150.09.01	1
F4504010	D150.09.02	0
F4504013	D150.00.02	0
F4504015	D150.01.02	0
F4504100	D150.08.01	7
F4504120	D150.08.01	7
F4504130	D150.00.02	8
F4504130	D150.01.02	36
F4504135	D150.00.02	8
F4504135	D150.01.02	36
F4504170	D150.10.01	1
F4504170	D150.10.02	0
F4504305	D	
F4504370	D150.05.02	0
F4700251	C140.00.02	0
F4700251	C140.02.01	1
F4700300	C140.01.02	0
F4700300	C140.03.01	1
F4901000	D160.01.01	22
F4901000	D160.02.01	22
F4901070	D160.00.01	22
F4901070	D160.01.01	22
F4901070	D160.02.01	22
F4901090	D160.00.01	24
F4901090	D160.01.01	24
F4901090	D160.02.01	24
F4902000	D160.00.01	20
F4902010	D160.00.01	39
F4902021	D160.00.01	40
F4902030	D160.00.01	38
F4902090	D160.00.01	37
F9900080	K010.01.03	26
F9900350	D150.00.01	3
F9900350	D150.01.01	3
F9900350	D150.07.01	20
F9900350	D150.09.01	8
F9900350	D150.10.01	15
F9900350	F150.03.01	12
F9900350	F150.04.01	18
F9900350	F150.05.01	12
F9900350	F150.06.01	18
F9900350	F150.08.01	33
F9900350	F150.09.01	33
F9900350	F160.04.01	32
F9900350	F160.05.01	33
F9900350	F160.07.01	32
F9900351	D150.00.01	4
F9900351	D150.01.01	4
F9900351	D150.07.01	21
F9900351	D150.09.01	7

Parça No	Sayfa No	No
Part no	Page No	No
F9900351	D150.10.01	16
F9900351	F150.03.01	13
F9900351	F150.04.01	17
F9900351	F150.05.01	13
F9900351	F150.06.01	17
F9900351	F150.08.01	34
F9900351	F150.09.01	34
F9900351	F160.04.01	33
F9900351	F160.05.01	34
F9900351	F160.07.01	33
F9900400	F070.09.01	5
F9900400	F100.01.01	11
F9900454	F070.08.01	6
F9900456	F070.08.01	12
F9900470	D010.01.03	11
F9900760	A050.07.01	53
F9906183	C110.01.01	13
F9906183	C120.01.01	12
F9906200	E020.03.01	3
F9906200	E030.05.01	3
F9906302	D090.02.01	6
F9906351	D090.02.01	4
F9906400	K010.01.03	4
F9906915	F010.01.01	27
F9914030	F010.01.01	26
F9915022	F010.01.01	29
F9915025	A070.07.01	8
F9920002	F030.06.01	36
F9920002	F030.07.01	36
F9920003	F030.06.01	77
F9920003	F030.07.01	77
F9920004	F030.06.01	76
F9920004	F030.07.01	76
F9920006	F030.06.01	79
F9920006	F030.07.01	79
F9920007	F030.06.01	78
F9920007	F030.07.01	78
F9920040	F030.06.01	47
F9920040	F030.07.01	47
F9925256	K010.02.06	2
F9925263	K010.02.06	1
F9929201	A080.02.01	17
F9929201	A080.03.01	17
F9929201	A090.04.01	13
F9930030	A010.07.01	19
F9930030	A010.08.01	19
F9930300	K010.02.07	15
F9930310	K010.02.07	16
F9940411	F030.06.01	45
F9940411	F030.07.01	45
F9950050	D010.01.03	10
F9950150	F010.01.01	14
F9950506	B090.06.01	3
F9951011	C080.01.01	8
F9951020	B080.04.01	11
F9960001	A070.07.01	3
F9960017	B080.04.01	36
F9960017	F010.01.01	13
F9960021	A010.07.01	12
F9960021	A010.08.01	12
F9960023	C010.01.01	2
F9960024	C010.01.01	5

# INDEX

Parça No	Sayfa No	No
Part no	Page No	No
N063006042	D060.00.01	14
N063006042	D060.01.01	12
N063006042	D060.02.01	14
N063006042	D090.02.01	10
N063006042	D140.00.01	3
N063006097	D060.01.01	6
N063006097	D060.02.01	7
N072016003	D010.01.02	13
N072016003	F070.07.01	42
N072016003	F070.16.01	42
N072017203	F140.04.01	27
N072020503	F130.00.01	10
N072020503	F130.02.01	3
N072020503	F130.02.01	7
N072020503	F130.02.01	15
N072020503	F130.06.01	8
N072020503	F140.03.01	17
N072020503	F140.04.01	25
N072020503	F150.04.01	7
N072020503	F150.06.01	7
N072020503	F150.08.01	50
N072022000	D150.06.01	23
N072023503	F120.02.01	3
N072023503	F120.06.01	3
N072023503	F130.00.01	13
N072023503	F130.02.01	17
N072023503	F130.06.01	11
N072023503	F140.03.01	3
N072023503	F140.04.01	3
N072025001	F130.00.01	12
N072025001	F130.02.01	16
N072025001	F130.06.01	12
N072027512	F150.03.01	16
N072027512	F150.03.01	22
N072027512	F150.04.01	12
N072027512	F150.04.01	15
N072027512	F150.05.01	16
N072027512	F150.05.01	22
N072027512	F150.06.01	12
N072027512	F150.06.01	15
N072027512	F150.08.01	41
N072027512	F150.09.01	41
N072027513	F150.03.01	17
N072027513	F150.03.01	23
N072027513	F150.04.01	4
N072027513	F150.04.01	14
N072027513	F150.05.01	17
N072027513	F150.05.01	23
N072027513	F150.06.01	4
N072027513	F150.06.01	14
N072027513	F150.08.01	42
N072027513	F150.09.01	42
N072130017	F080.01.01	5
N072130040	F080.00.01	5
N072130095	J010.06.01	13
N072130095	J010.09.01	15
N072130096	J010.06.01	14
N072130096	J010.09.01	16
N072130100	F080.01.01	41
N072130122	F080.01.01	47
N072130132	F080.01.01	43
N072130133	F080.00.01	36

Parça No	Sayfa No	No
Part no	Page No	No
N072130139	F080.00.01	44
N072130140	F080.00.01	42
N072130200	F080.00.01	9
N072130200	F080.00.01	14
N072130201	F080.01.01	10
N072130201	F080.01.01	14
N072130210	F080.00.01	17
N072130210	F080.00.01	23
N072130211	F080.01.01	16
N072130211	F080.01.01	22
N073013503	J010.06.01	20
N073013503	J010.09.01	12
N073016000	D040.04.01	38
N073016001	D040.04.01	21
N073016002	D020.00.01	9
N073016002	D020.01.01	9
N073016002	D020.02.01	8
N073016002	D020.03.01	9
N073016002	D020.04.01	9
N073016002	D040.04.01	19
N073016002	F090.02.01	5
N073016002	F090.04.01	2
N073016002	H010.05.01	13
N073016002	H010.05.01	44
N073016002	H010.09.01	16
N073016002	J010.06.01	21
N073016002	J010.09.01	11
N073016003	D020.00.01	8
N073016003	D020.01.01	8
N073016003	D020.02.01	9
N073016003	D020.03.01	8
N073016003	D020.04.01	8
N073016003	D040.04.01	20
N073016003	F090.02.01	4
N073016003	F090.04.01	3
N073016003	H010.05.01	12
N073016003	H010.05.01	43
N073016003	H010.09.01	15
N073020002	D050.02.01	48
N073020002	F070.05.01	43
N073020002	F070.07.01	51
N073020002	F070.15.01	43
N073020002	F070.16.01	51
N073020003	F070.05.01	33
N073020003	F070.07.01	32
N073020003	F070.15.01	33
N073020003	F070.16.01	32
N073020021	D050.01.01	18
N073020021	D050.02.01	18
N073023272	F150.03.01	19
N073023272	F150.04.01	1
N073023272	F150.05.01	19
N073023272	F150.06.01	1
N073026913	F150.03.01	20
N073026913	F150.04.01	11
N073026913	F150.05.01	20
N073026913	F150.06.01	11
N074010016	A050.07.01	21
N074010016	A050.07.01	62
N074010016	A070.07.01	35
N074016025	A050.07.01	20
N074016025	A050.07.01	41

Parça No	Sayfa No	No
Part no	Page No	No
N074016025	A080.02.01	14
N074016025	A080.03.01	14
N074016025	A080.03.01	21
N074016025	A090.04.01	14
N074016025	A090.04.01	22
N074016025	F050.43.01	63
N074016025	F050.44.01	56
N074016027	A080.02.01	40
N074016027	A080.03.01	40
N074016027	A090.04.01	71
N074040070	A080.02.01	42
N074040070	A080.03.01	42
N074040070	A090.04.01	73
N074050070	A050.07.01	17
N074050070	A090.04.01	49
N074060080	A030.07.01	12
N074080100	A030.07.01	11
N074080100	D020.00.01	36
N074080100	D020.01.01	36
N074080100	D020.02.01	29
N074080100	D020.03.01	36
N074080100	D020.04.01	36
N074080100	F150.08.01	38
N074080100	F150.09.01	47
N074100120	F070.05.01	3
N074100120	F070.05.01	27
N074100120	F070.07.01	3
N074100120	F070.07.01	27
N074100120	F070.15.01	3
N074100120	F070.15.01	27
N074100120	F070.16.01	3
N074100120	F070.16.01	27
N074100120	F140.02.01	12
N074100120	F140.03.01	15
N074100120	F140.04.01	13
N074100120	F140.06.01	11
N074120140	F110.02.01	7
N074404567	A050.07.01	18
N074405779	A050.07.01	19
N077001215	A050.07.01	65
N077001215	A050.07.01	66
N077001900	K010.12.01	60
N077001900	K020.20.01	70
N077002200	A090.04.01	40
N077002200	K020.20.01	43
N077002426	A090.04.01	23
N077002426	K010.12.01	61
N077002426	K020.20.01	71
N077003500	A090.04.01	25
N077003500	F060.07.01	47
N077003500	F060.08.01	47
N077003500	F060.09.01	47
N077003500	F060.10.01	47
N077003500	F060.11.01	47
N077003500	F060.12.01	47
N077003500	F060.13.01	47
N077003500	F060.14.01	47
N077003500	F070.05.01	37
N077003500	F070.07.01	33
N077003500	F070.15.01	37
N077003500	F070.16.01	33
N077003500	K020.20.01	39

CLICK HERE TO **DOWNLOAD** THE COMPLETE MANUAL

- Thank you very much for reading the preview of the manual.
- You can download the complete manual from: [www.heydownloads.com](http://www.heydownloads.com) by clicking the link below



- Please note: If there is no response to CLICKING the link, please download this PDF first and then click on it.

CLICK HERE TO **DOWNLOAD** THE COMPLETE MANUAL