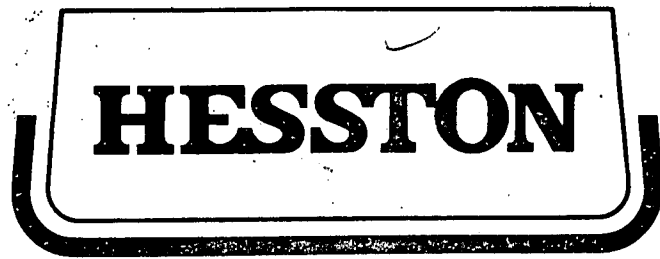
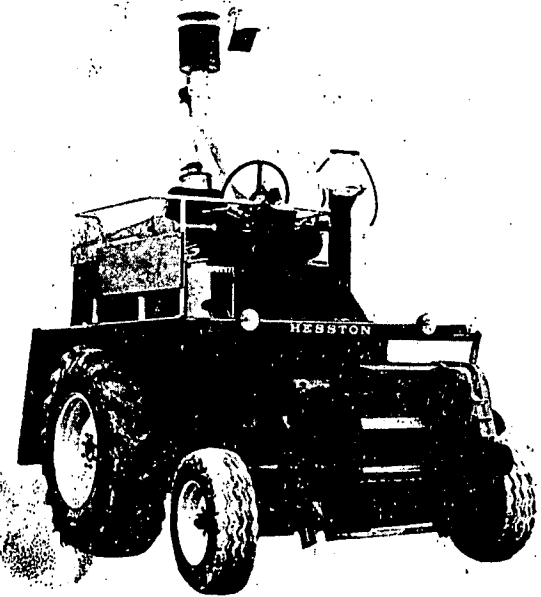


in 1960's Ref.



EUROPE S.A.

4000 C FORAGE HARVESTER



ILLUSTRATED PARTS LISTING

PRINTED IN FRANCE

FORM 7780034
MFHSP 4000 C 76

CLICK HERE TO **DOWNLOAD** THE COMPLETE MANUAL

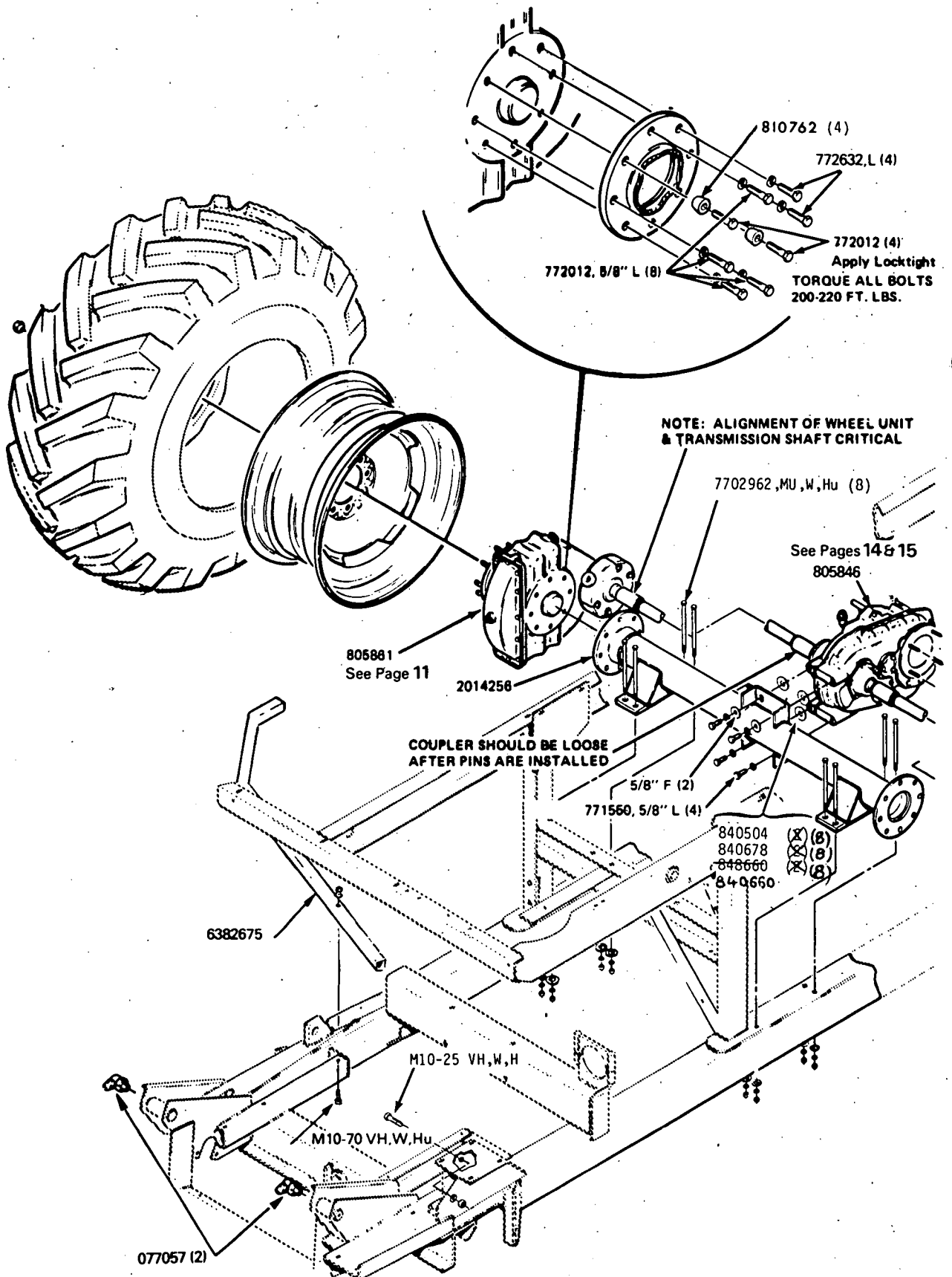
- Thank you very much for reading the preview of the manual.
- You can download the complete manual from: www.heydownloads.com by clicking the link below

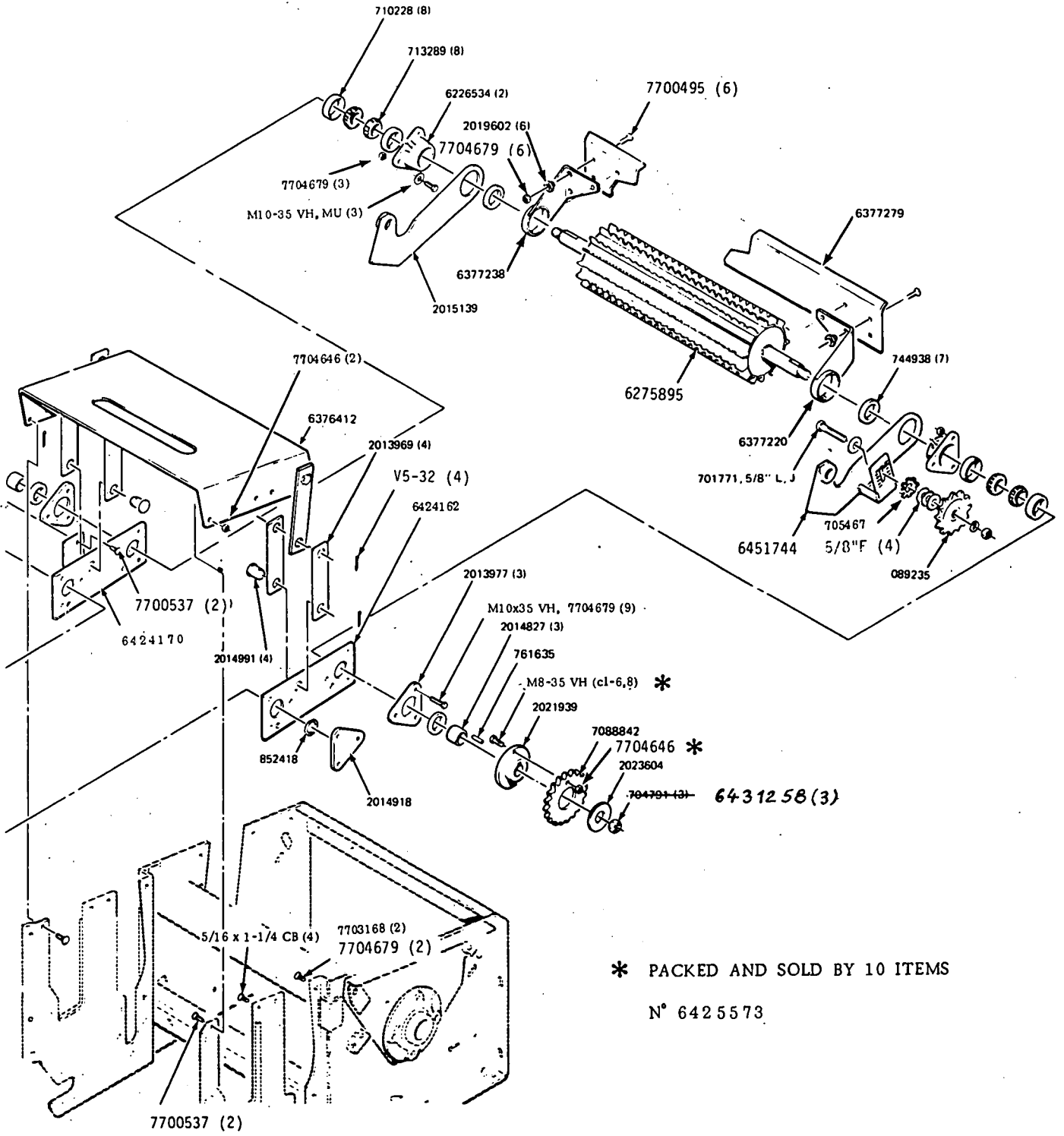


- Please note: If there is no response to CLICKING the link, please download this PDF first and then click on it.

CLICK HERE TO **DOWNLOAD** THE COMPLETE MANUAL

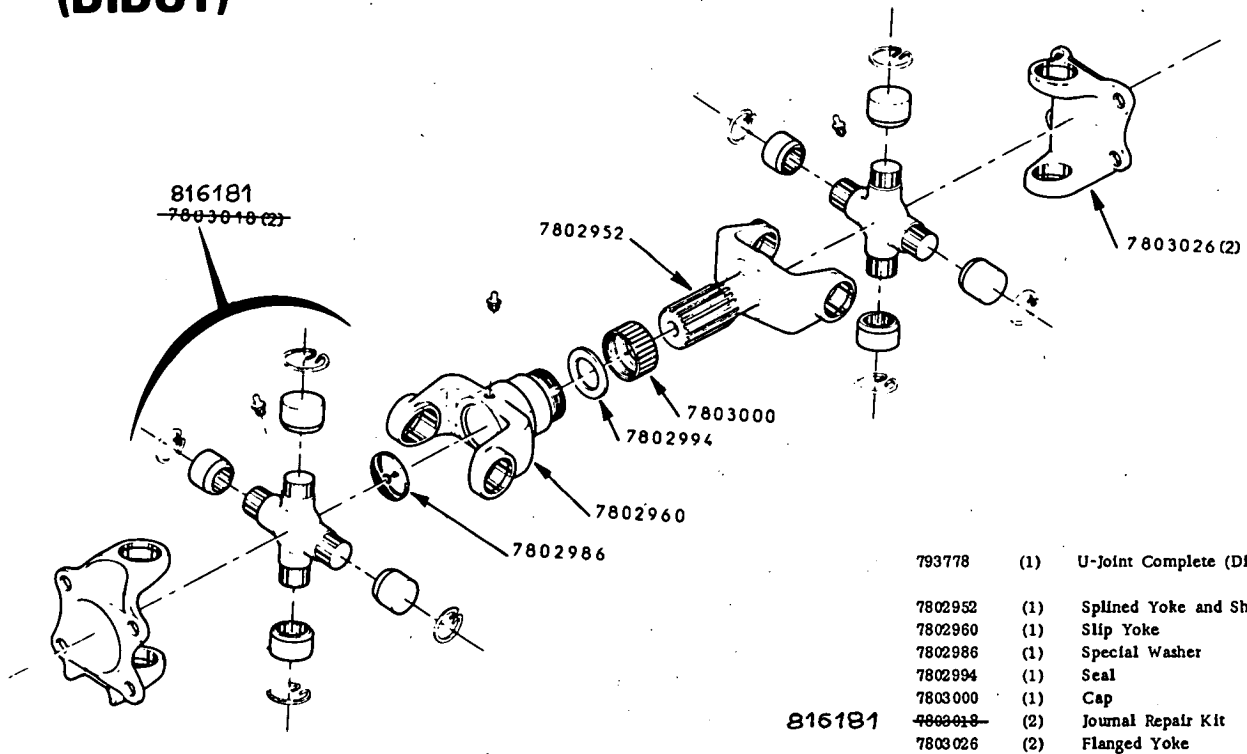
REAR AXLE





* PACKED AND SOLD BY 10 ITEMS
 N° 642 55 73

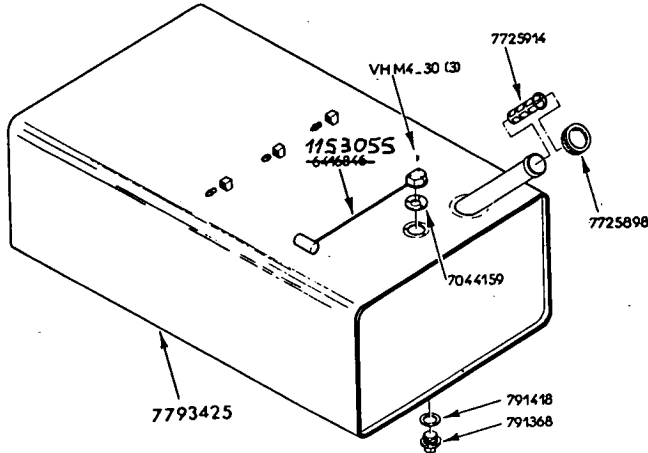
U-JOINT ASSEMBLY (DIDOT)



793778	(1)	U-Joint Complete (Didot)
7802952	(1)	Splined Yoke and Shaft
7802960	(1)	Slip Yoke
7802986	(1)	Special Washer
7802994	(1)	Seal
7803000	(1)	Cap
4800018	(2)	Journal Repair Kit
7803026	(2)	Flanged Yoke

816181

FUEL TANK

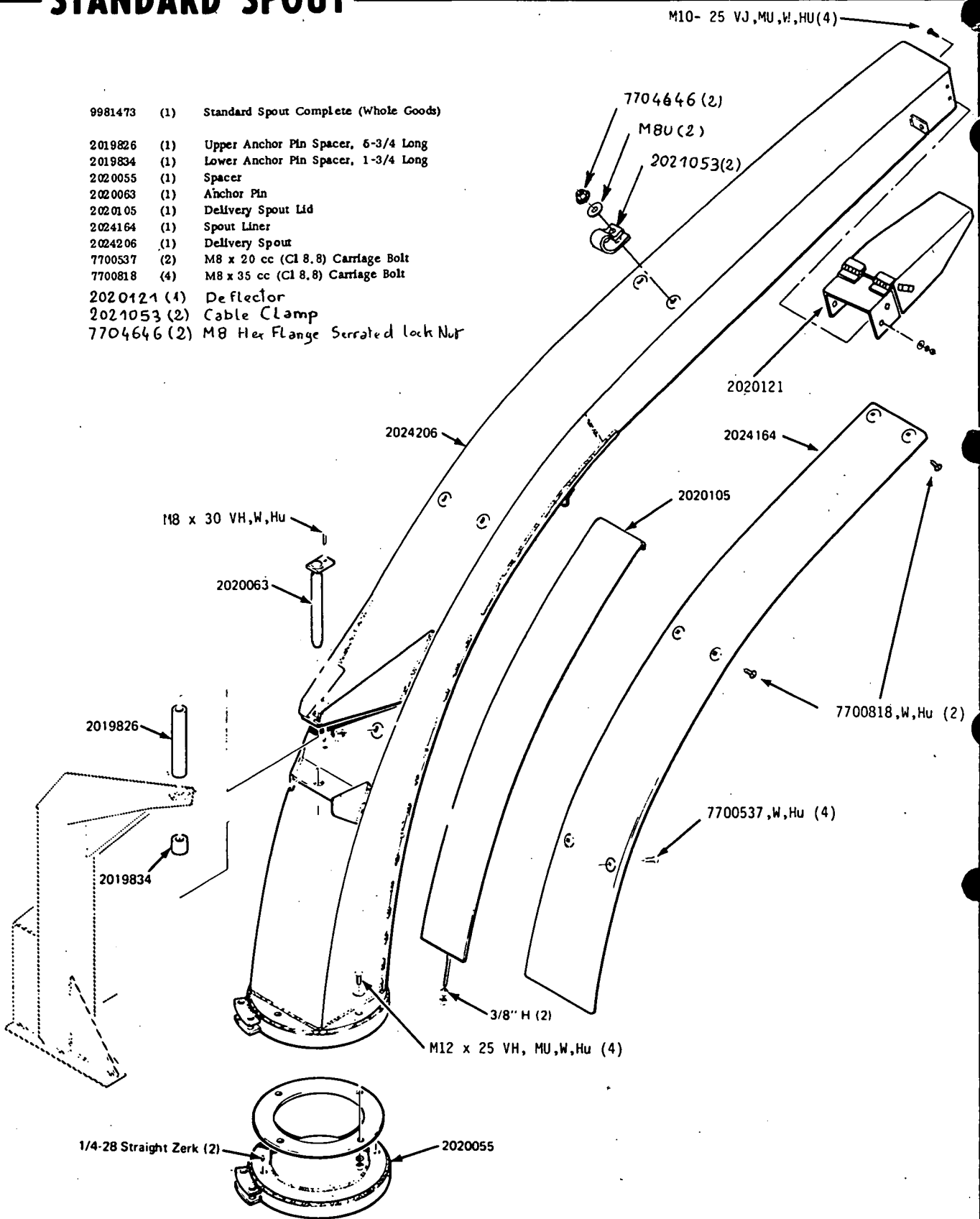


791368	(1)	Plug
791418	(1)	Seal
1153055	(1)	Gauge
7044159	(1)	Seal
7725898	(1)	Fuel Cap
7725914	(1)	Filter
7793425	(1)	Fuel Tank

Revised October 1979 (Form 7480034)

STANDARD SPOUT

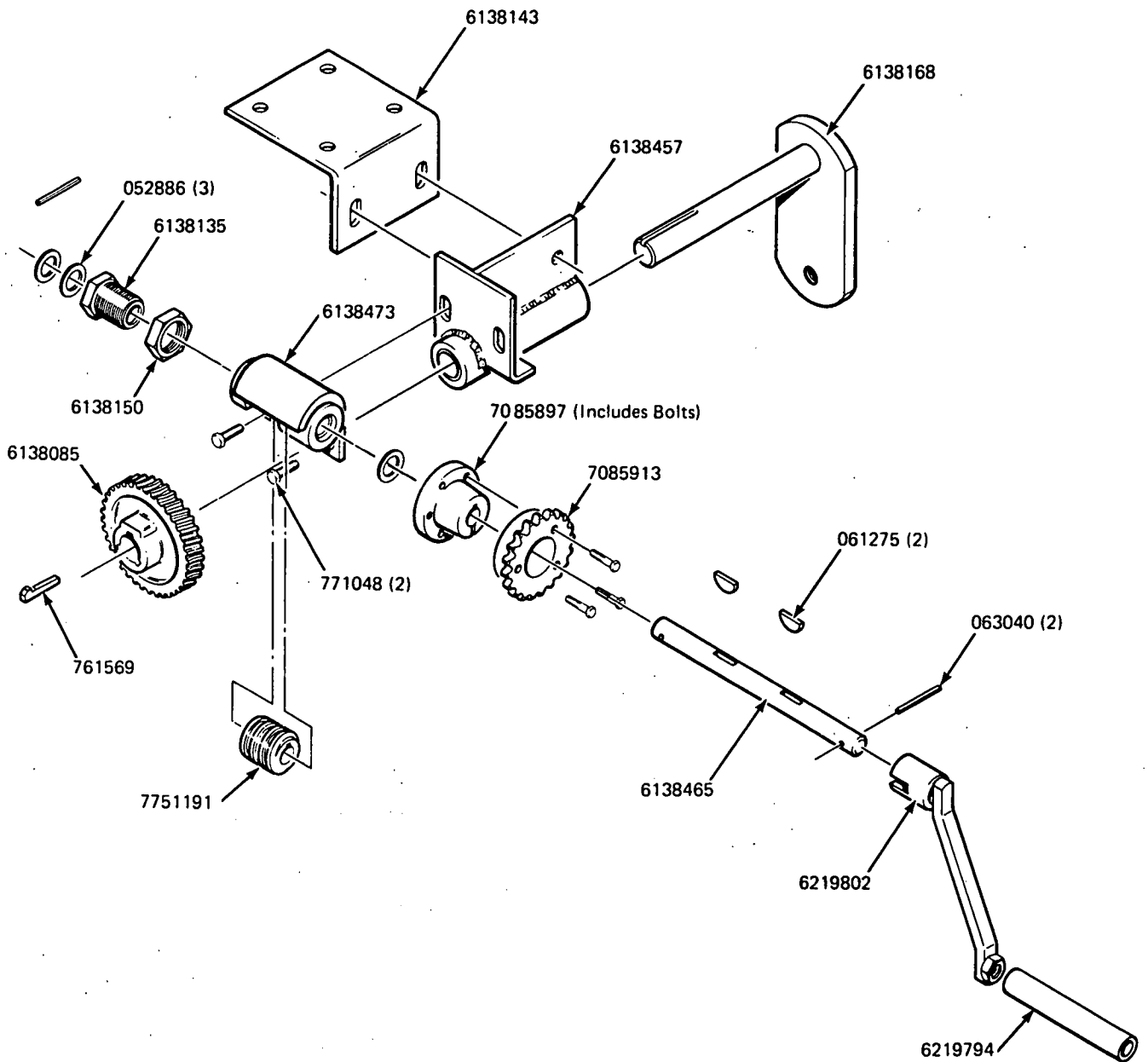
- 9981473 (1) Standard Spout Complete (Whole Goods)
- 2019826 (1) Upper Anchor Pin Spacer, 6-3/4 Long
- 2019834 (1) Lower Anchor Pin Spacer, 1-3/4 Long
- 2020055 (1) Spacer
- 2020063 (1) Anchor Pin
- 2020105 (1) Delivery Spout Lid
- 2024164 (1) Spout Liner
- 2024206 (1) Delivery Spout
- 7700537 (2) M8 x 20 cc (Cl 8,8) Carriage Bolt
- 7700818 (4) M8 x 35 cc (Cl 8,8) Carriage Bolt
- 2020121 (4) Deflector
- 2021053 (2) Cable Clamp
- 7704646 (2) M8 Hex Flange Serrated Lock Nut



7-132

CRANK ASSEMBLY

052886	(3)	1/2 x 14 Gauge Machinery Bushing
061275	(2)	1/8 x 3/4" Woodruff Key
063040	(2)	3/16 x 1" Roll Pin
761569	(1)	3/16 x 3/16 x 1" Gib Key
771048	(2)	3/8 x 1" Grade 5 Cap Screw
6138085	(1)	Worm Gear
6138135	(1)	Tightener Assembly
6138143	(1)	Worm Mounting
6138150	(1)	Jam Nut
6138168	(1)	Strap
6138457	(1)	Adjuster Assembly
6138465	(1)	Shaft
6138473	(1)	Worm Adjuster Assembly
6219794	(1)	Sleeve
6219802	(1)	Crank
7085897	(1)	Bushing Hub (Includes Bolts)
7085913	(1)	Sprocket, 16-Tooth
7751191	(1)	Steel Worm



7-110

CLICK HERE TO **DOWNLOAD** THE COMPLETE MANUAL

- Thank you very much for reading the preview of the manual.
- You can download the complete manual from: www.heydownloads.com by clicking the link below



- Please note: If there is no response to CLICKING the link, please download this PDF first and then click on it.

CLICK HERE TO **DOWNLOAD** THE COMPLETE MANUAL