

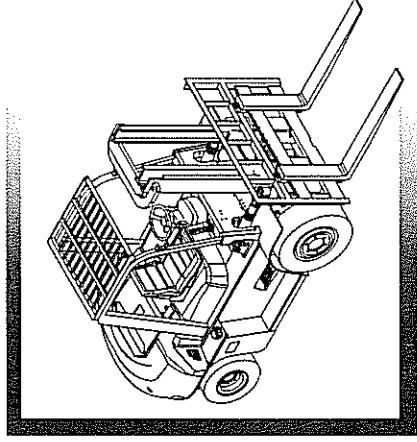
**h2000**  
SERIES

# 零件目录 parts manual

H2000系列 5-7t

内燃平衡重式叉车

Balanceweight Type  
Forklift Truck With Engine



安徽合力股份有限公司  
ANHUI HELI CO., LTD.

HELI

CLICK HERE TO **DOWNLOAD** THE COMPLETE MANUAL

- Thank you very much for reading the preview of the manual.
- You can download the complete manual from: [www.heydownloads.com](http://www.heydownloads.com) by clicking the link below



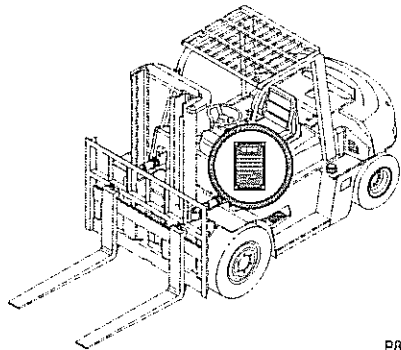
- Please note: If there is no response to CLICKING the link, please download this PDF first and then click on it.

CLICK HERE TO **DOWNLOAD** THE COMPLETE MANUAL

# 目录 INDEX

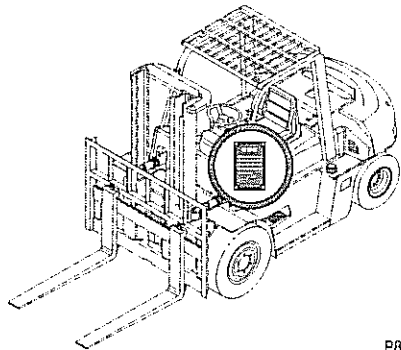
标牌  
DECAL

图61  
FIG61



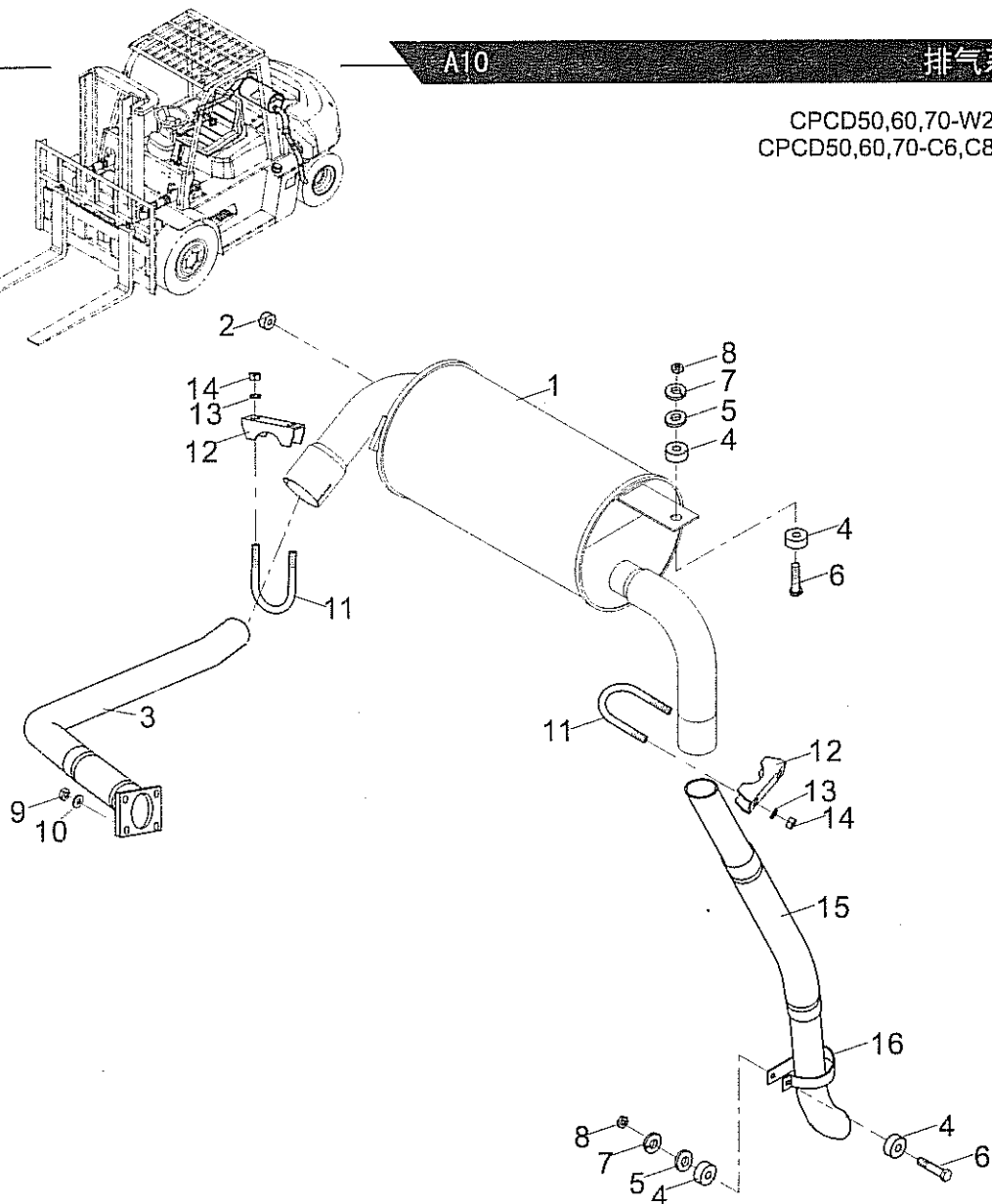
P87

图61

<p>标牌 DECAL</p>  <p>P87</p> <p>图61</p>			

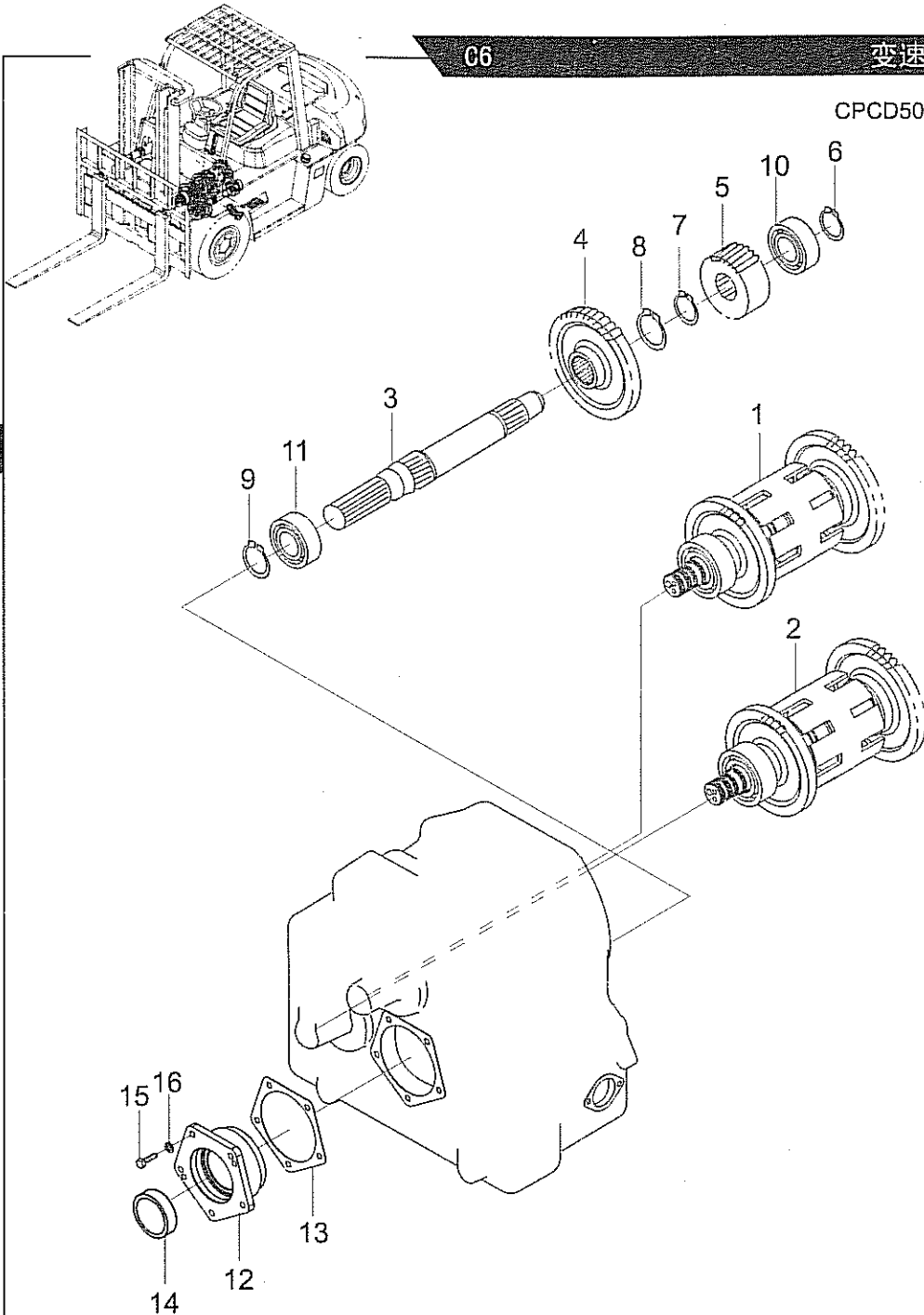
CPCD50,60,70-W2  
CPCD50,60,70-C6,C8

序号 Item No	图号 Part No	零部件名称 Description	件数 Q'ty	备注 Remark
01	H43E2-30202	Muffler	1	消声器总成
-	H43E2-30901	Muffler	1	灭火消声器 选用 Option
02	A22A2-12001	Rubber spacer	1	橡胶垫I
03	H08E2-30202	Front pipe ass'y	1	前排气管总成
04	22252-32241	Rubber spacer	4	橡胶垫
05	22252-32251	Shim	2	垫片
06	B0230-10055	Bolt	2	螺栓M10X55 GB5782-86
07	B5310-00010	Washer	2	垫圈10 GB97.1-85
08	B4023-00010	Nut	2	螺母M10 GB6184-86
09	B4123-00010	Nut	4	螺母M10 GB6170-86
10	B5050-00010	Washer, lock	4	垫圈10 GB93-87
11	25782-32111G	U-Bolt	2	U型螺栓
12	25782-32121	Plate	2	卡板
13	B5050-00008	Washer, lock	4	垫圈8 GB93-87
14	B4123-00008	Nut	4	螺母M8 GB6170-86
15	H43E2-30221	Back pipe ass'y	1	尾管总成
16	H43E2-33001	Clip	1	卡箍





CPCD50,60,70



序号 Item No	图号 Part No	零部件名称 Description	件数 Q'ty	备注 Remark
01	15793-80241	Clutch	离合器I	1 See Fig.28
02	15793-80261	Clutch	离合器II	1 See Fig.29
03	15793-82141G	Shaft,output	输出轴	1
04	15793-82511	Gear	齿轮	1
05	15793-82521	Gear	齿轮	1
06	B6152-00045	Snap ring	挡圈45	1 GB894.1-86
07	B6152-00050	Snap ring	挡圈50	1 GB894.1-86
08	B6152-00060	Snap ring	挡圈60	1 GB894.1-86
09	B6152-00055	Snap ring	挡圈55	1 GB894.1-86
10	Z-309	Bearing	轴承309	1 GB276-82
11	15793-82581	Bearing	轴承	1
12	15793-82151G	Cap	端盖	1
13	15793-82471	Gasket	垫片	1
14	15793-82161	Oil seal	油封52X72X12	5
15	B0430-10030	Bolt	螺栓M10X1.25X30	5 GB5785-86
16	B5050-00010	Washer,lock	垫圈10	1 GB93-87

C

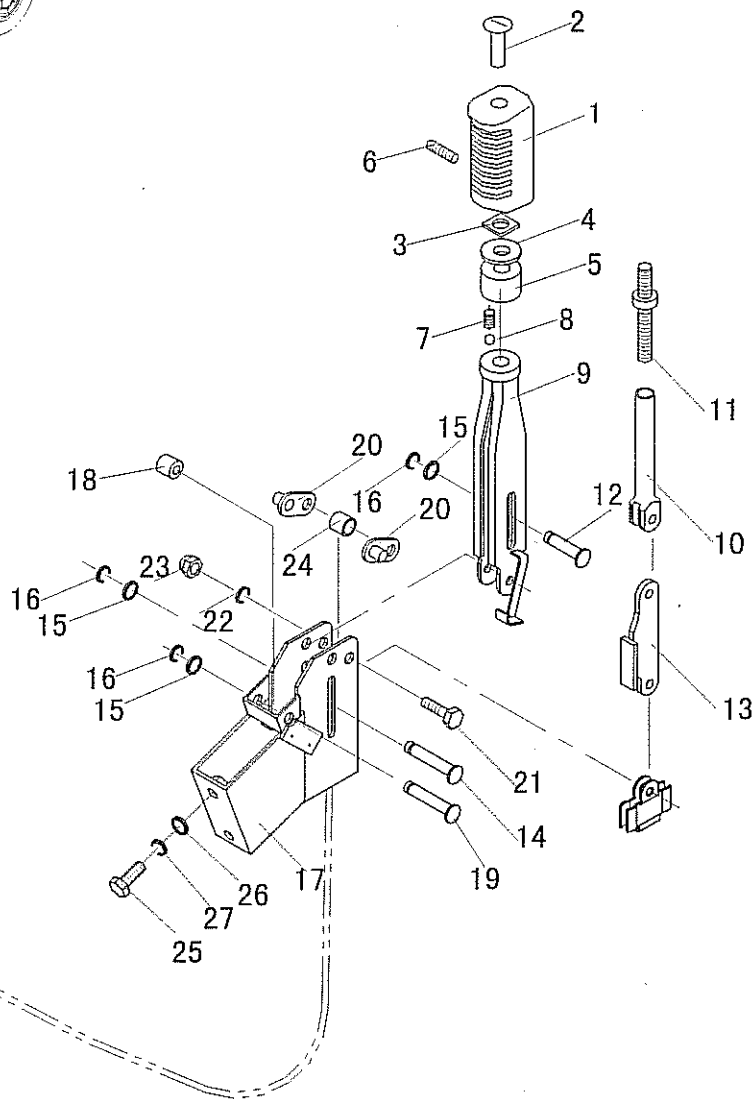
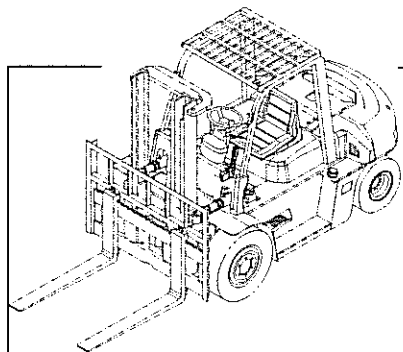




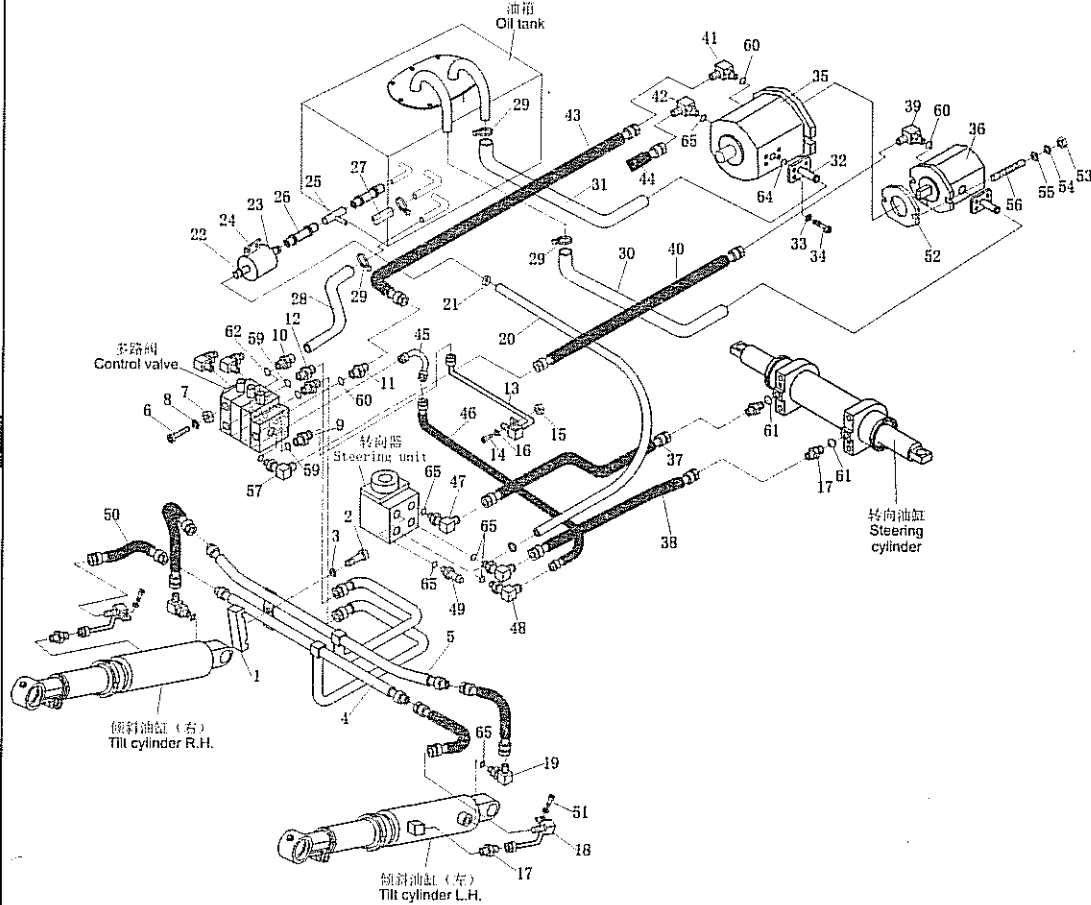
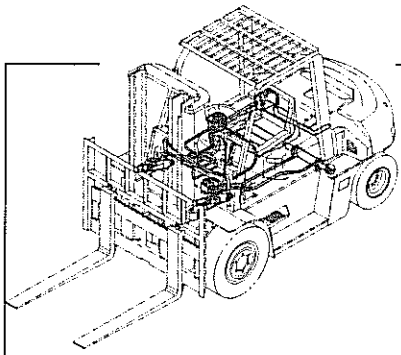
CPCD50,60,70

序号  
Item  
No图号  
Part No零部件名称  
Description件数  
Q'ty备注  
Remark

序号 Item No	图号 Part No	零部件名称 Description	件数 Q'ty	备注 Remark
A	HRH43E5501	Parking brake unit 停车制动装置	1	
01	THN-110	Grip 手柄头	1	
02	THN-111	Lever,adjust 调节杆	1	
03	B7810-00008	Nut 螺母M8	1	GB39-88
04	B5210-00008	Washer 垫圈8	1	GB96-85
05	THN-101	Seat 手柄座	1	
06	B1830-04004	Screw 螺钉M4X4	1	GB80-85
07	THN-200	Spring 弹簧1X6X10.8	1	
08	Z1510-G0060	Ball 钢球 $\varnothing$ 6	1	GB308-89
09	THN-060	Lever 闸把体	1	
10	THN-600	Rod 拉杆体	1	
11	THN-500	Screw rod 螺杆	1	
12	THN-070	Pin 平头销d8X35	1	
13	THN-900-00	Link 拉板总成	1	
14	THN-070	Pin 平头销d8X45	1	
15	B5310-00008	Washer 垫圈8	2	GB97.1-86
16	B6250-00006	Snap ring 挡圈6	2	GB896-86
17	HC230C5-11100	Bracket 支架总成	1	
18	25785-52241	Plate 缓冲垫圈	1	
19	25785-52251	Pin 销轴	1	
20	THN-40-00	Plate 支撑板总成	2	
21	B0220-10045	Bolt 螺栓M10X45	1	GB5782-86
22	B5050-00010	Washer,lock 垫圈10	1	GB93-87
23	B4732-00010	Nut 螺母M10	1	GB802-88
24	25785-52261	Washer 垫圈11	1	
25	B0520-10025	Bolt 螺栓M10X1.25X25	2	GB5786-86
26	B5313-00010	Washer 垫圈10	2	GB97.1-86
27	B5052-00010	Washer,lock 垫圈10	2	GB93-87



CPCD50,60,70-W2



序号 Item No	图号 Part No	零部件名称 Description	件数 Qty	备注 Remark
27	Z7353-19120	Hose 夹布压力胶管 $\phi$ 19X1200	1	
28	H43E7-69001	Hose 多路阀回油管	1	
29	Z4590-00058	Clip 双钢丝卡箍 $\phi$ 58	6	
30	A45E7-62402	Hose,suction 前泵吸油管	1	
31	A45E7-62412	Hose,suction 后泵吸油管	1	
32	25787-62101G	Flange(Inc.64) 油泵进口法兰(包括64)	2	
33	B0330-10025	Bolt 螺栓M10X25	8	GB5783-86
34	B5050-00010	Washer,lock 垫圈10	8	GB93-87
35	A45E7-10202	Pump,front 前齿轮泵(36R/4R)	1	
36	A45E7-10301	Pump,rear 后齿轮泵(36L)	1	
37	Z9501-10250	Hose H.P. 高压胶管10IX2500	1	
38	Z9501-10260	Hose H.P. 高压胶管10IX2600	1	
39	JT7022-34031	Elbow(Inc.60) 直角接头(包括60)	1	
40	Z9504-1909133	Hose H.P. 高压胶管19IX910	1	
41	JT7022-34011	Elbow(Inc.60) 直角接头(包括60)	1	
42	JT7022-12011	Elbow(Inc.65) 直角接头(包括65)	1	
43	Z9504-1904433	Hose H.P. 高压胶管19IX440	1	
44	Z9502-10066	Hose H.P. 高压胶管10IX660	1	
45	A45E7-60901	Joint 弯头	1	
46	Z9501-10038	Hose H.P. 高压胶管10IX380	1	
47	JT6022-20011	Elbow(Inc.65) 直角接头(包括65)	2	
48	JT6022-20021	Elbow(Inc.65) 直角接头(包括65)	1	
49	JT6021-20011	Nipple(Inc.65) 直通接头(包括65)	1	
50	Z9502-10042	Hose H.P. 高压胶管10IX420	4	
51	B0330-08020	Bolt 螺栓M8X20	2	GB5783-86
52	23657-12001	Gasket 垫	2	
53	B4413-00010	Nut 螺母M10X1.25	4	GB6173-86
54	B5050-00010	Washer,lock 垫圈10	4	GB93-87
55	B5410-00010	Washer 垫圈10	4	GB97.2-85
56	15943-83321	Bolt rod 双头螺栓	4	



CLICK HERE TO **DOWNLOAD** THE COMPLETE MANUAL

- Thank you very much for reading the preview of the manual.
- You can download the complete manual from: [www.heydownloads.com](http://www.heydownloads.com) by clicking the link below



- Please note: If there is no response to CLICKING the link, please download this PDF first and then click on it.

CLICK HERE TO **DOWNLOAD** THE COMPLETE MANUAL