



H系列 2-3.5t

二级及三级全自由门架起重系统
Full Free 2-Stage & 3-Stage Mast Lift System

零件目录

PARTS MANUAL

CLICK HERE TO **DOWNLOAD** THE COMPLETE MANUAL

- Thank you very much for reading the preview of the manual.
- You can download the complete manual from: www.heydownloads.com by clicking the link below



- Please note: If there is no response to CLICKING the link, please download this PDF first and then click on it.

CLICK HERE TO **DOWNLOAD** THE COMPLETE MANUAL

图5/FIG. 5 门架管路系统(二级全自由公制)/MAST HYDRAULIC SYSTEM(FULL FREE 2-STAGE METRIC)

序号 Item No	图号 Part No	版本 Edition	零部件名称 Description	件数 Q'ty	备注 Remark
A	HRDH3M8601	D01	Mast hydraulic system 门架管路系统	1	
01	DH3K8-61001A	01	Steel pipe ass'y 钢管总成1	1	
02	DH3K8-61011A	00	Clip 管夹总成1	1	
03	B0330-06012	00	Bolt 螺栓M6x12	2	GB5783-86
04	B5050-00006	00	Washer,lock 垫圈6	2	GB93-87
05	HRDH3K8602A	01	Steel pipe ass'y 钢管总成2	1	见选用件表 See op. Parts
06	H22A8-60211	00	Valve,check(Inc.16) 切断阀	1	
07	D26Z0-60231	00	Elbow(Inc.17) 直角接头	1	
08	Z9502-1305022GS	00	Hose H.P. 高压胶管1311x500	1	
09	Z9502-13037	D00	Hose H.P. 高压胶管	1	
10	JT6031-22021	00	Three way(Inc.16) 三通接头	1	
11	HRD20B8604 D28B8-60201	D03	Flow regulator 限速阀	1	
12	Z6700-02227	00	Washer 组合垫圈22	1	JB982-77
13	Z9502-13055GS	D00	Hose H.P. 高压胶管	1	
14	Z3650-89901	00	Sleeve 封头套管	1	
15	Z4690-00019	D00	Clip 双钢丝夹箍	1	
16	Z6004-02202	00	O-ring 0型密封圈22x2.4	2	GB1235-76
17	Z6004-03004	00	O-ring 0型密封圈30x3.5	1	GB1235-76
18	DH3K8-61021A	00	Clip 管夹总成2	1	

CPC,CPCD35

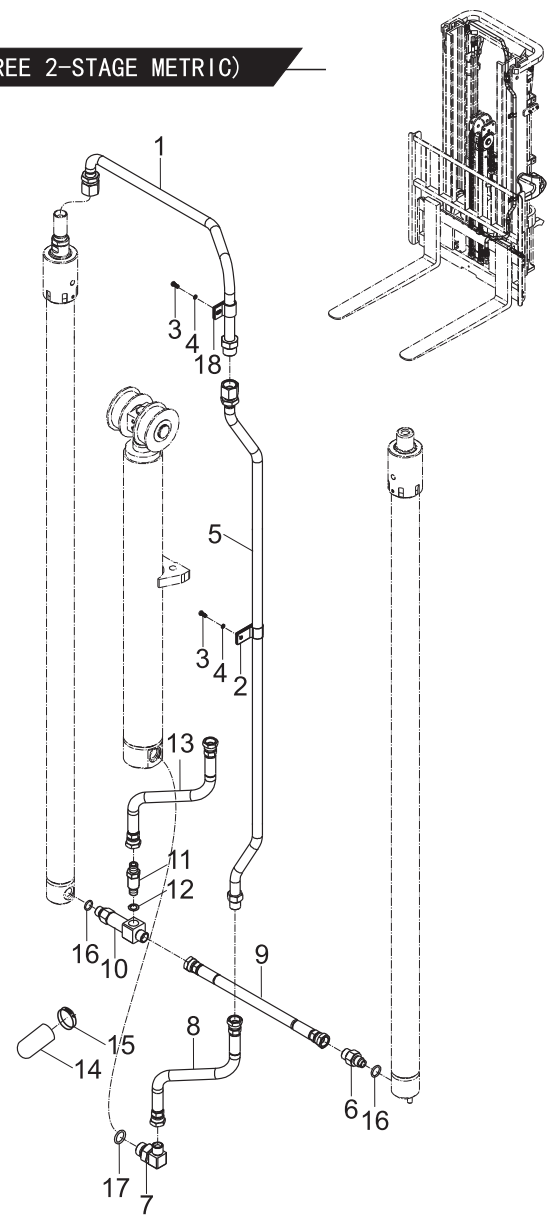


图9/FIG. 9 门架管路系统(三级全自由公制)/MAST HYDRAULIC SYSTEM(FULL FREE 3-STAGE METRIC)

序号 Item No	图号 Part No	版本 Edition	零部件名称 Description	件数 Q'ty	备注 Remark
29	DH3S8-60141	00	Three way 三通接头总成	1	
30	JT6021-22111	D00	Nipple 直通接头	1	
31	JT6031-22021	00	Three way(Inc.35) 三通接头	1	
32	D26Z0-60231	00	Elbow(Inc.37) 直角接头	1	
33	Z9502-1303622	00	Hose H.P. 高压胶管1311x360	1	
34	Z9502-1304522GS	D00	Hose H.P. 高压胶管1311x450	1	
35	Z6004-02202	00	O-ring 0型密封圈22x2.4	2	GB1235-76
36	Z6006-01782	00	O-ring 0型密封圈17.8x2.4	2	JIS B2401
37	Z6004-03004	00	O-ring 0型密封圈30x3.5	1	GB1235-76

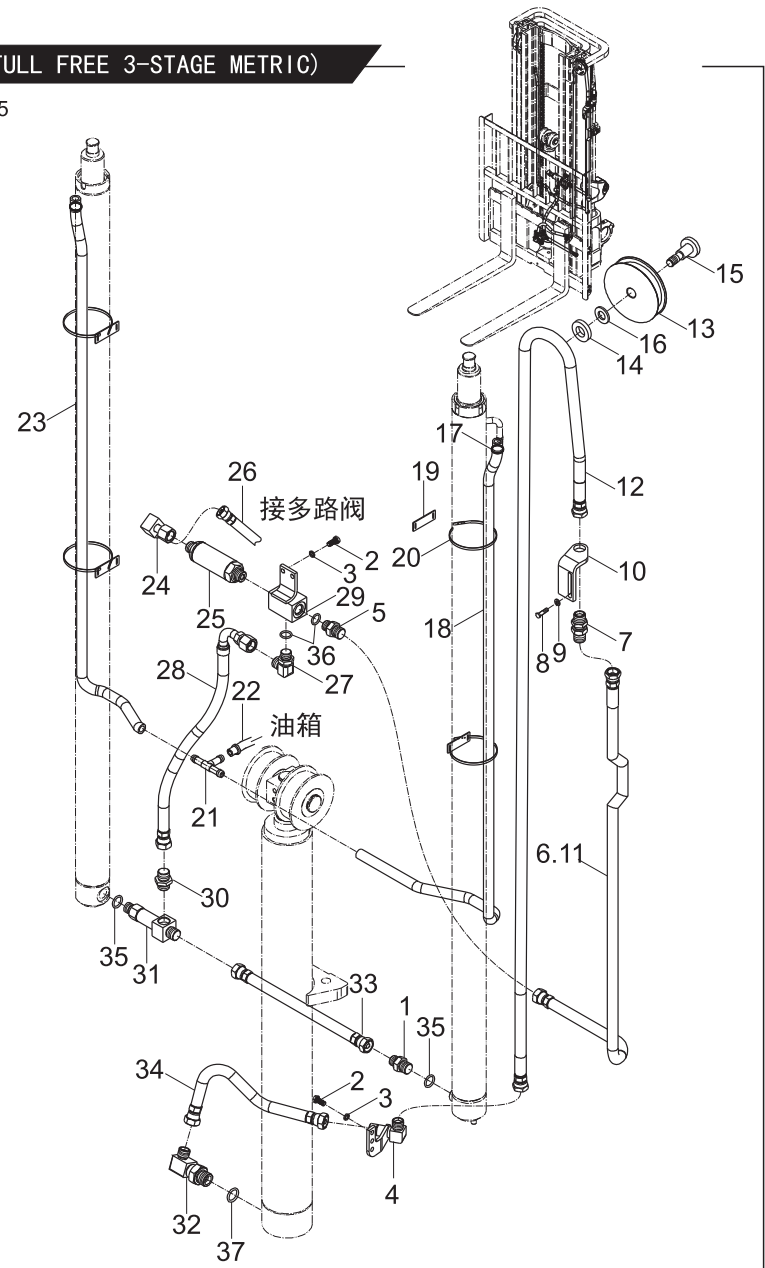


图19/FIG. 19

门架(三级全自由)/FORK & LIFT BRACKET (FULL FREE 3-STAGE MAST ZSM)

序号 Item No	图号 Part No	版本 Edition	零部件名称 Description	件数 Q'ty	备注 Remark
A	LH-2-H2S	00	Mast 门架	1	
01	22018-30064	00	Cap 支座盖	2	
02	D20B8-02001	D01	Bushing 轴衬	2	
03	B0430-16070	00	Bolt 螺栓M16x1.5x70	4	GB5785-86
04	B5050-00016	00	Washer,lock 垫圈16	4	GB859-87
05	Q700B01	00	Grease nipple 直通式滑脂嘴	2	ZBT33001.1-88
06	D2MD8-00161	01	Pin axle 倾斜油缸销轴	2	
07	B0530-10020	00	Bolt 螺栓M10x1.25x20	2	GB5786-86
08	B5050-00010	00	Washer,lock 垫圈10	2	GB93-87
09	HRDH2S8301	01	Mast, outer 外门架总成	1	见选用件表 See op.parts
10	HRDH2S8302	00	Mast, Middle 中门架总成	1	见选用件表 See op.parts
11	B0530-12040	00	Bolt 螺栓M12x1.25x40	12	GB5786-86
12	B5050-00012	00	Washer,lock 垫圈12	12	GB93-87
13	23818-30071	00	Spacer 垫块	16	
14	REF404140 22548-34051	00	Shim 调整垫圈	12	
15	REF404140 22548-34061	00	Shim 调整垫圈	12	
16	23458-32051	00	Shaft 侧滚轮组II	6	
17	23658-33001	D01	Roller 滚轮2	4	
18	B6150-00040	00	Snap ring 挡圈40	4	GB894.1-86
19	980811N	00	Roller 主滚轮 $\phi 119.2 \times 55-34$	4	
20	B6150-00055	00	Snap ring 挡圈55	4	GB894.1-86
21	20029-43231 20029-43231*1	00	Shim 调整垫片	2	
22	20029-43231 20029-43231*2	00	Shim 调整垫片	12	
23	HRDH2S8303	00	Mast, inner 内门架总成	1	见选用件表 See op.parts
24	HRD15X8601	00	Slipper 限位滑块	4	
25	HRD28R0707 D28R0-92011	00	Spacer 垫块	8	
26	D28R0-92031	D00	Shaft 侧滚轮轴	2	
27	B5850-00010	00	Washer,lock 垫圈10	4	GB859-87
28	B0530-10040	00	Bolt 螺栓M10x1.25x40	4	GB5786-86

CPC,CPCD20,25

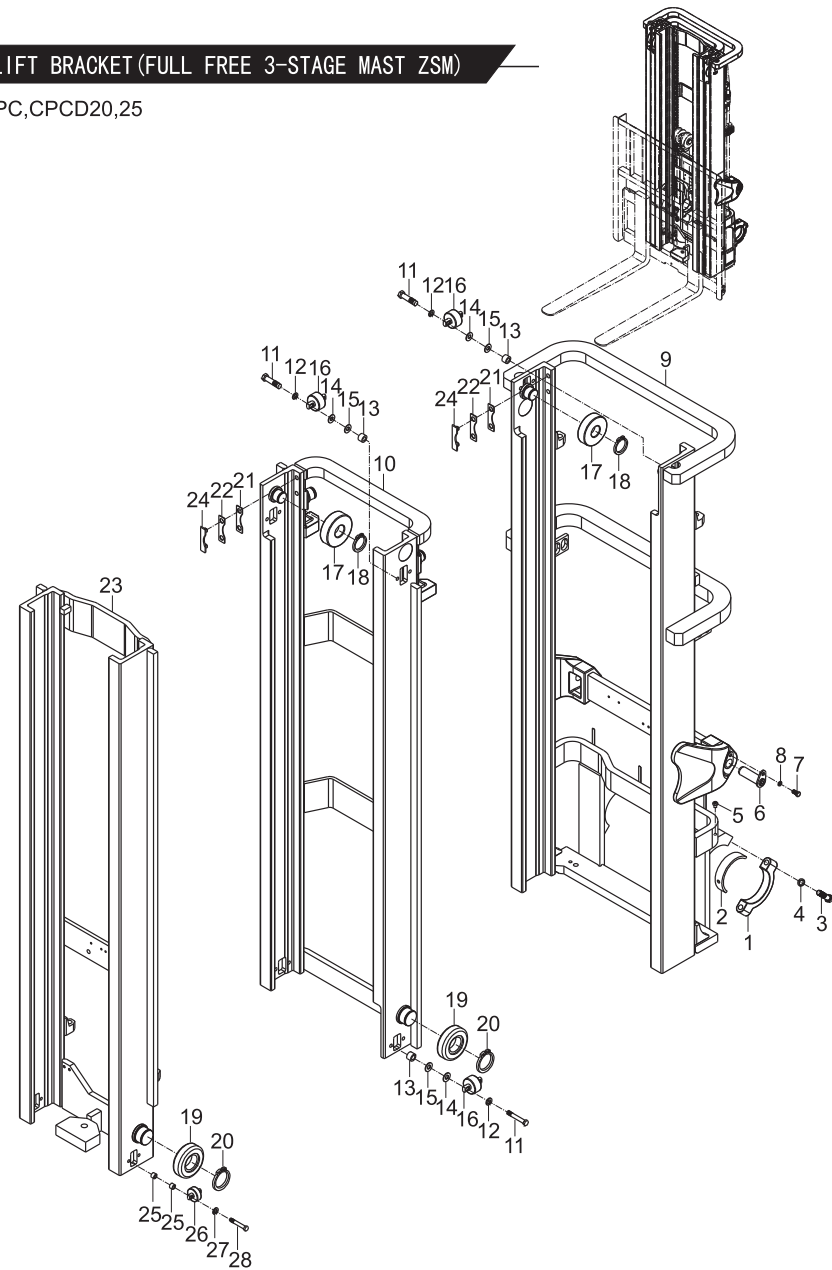
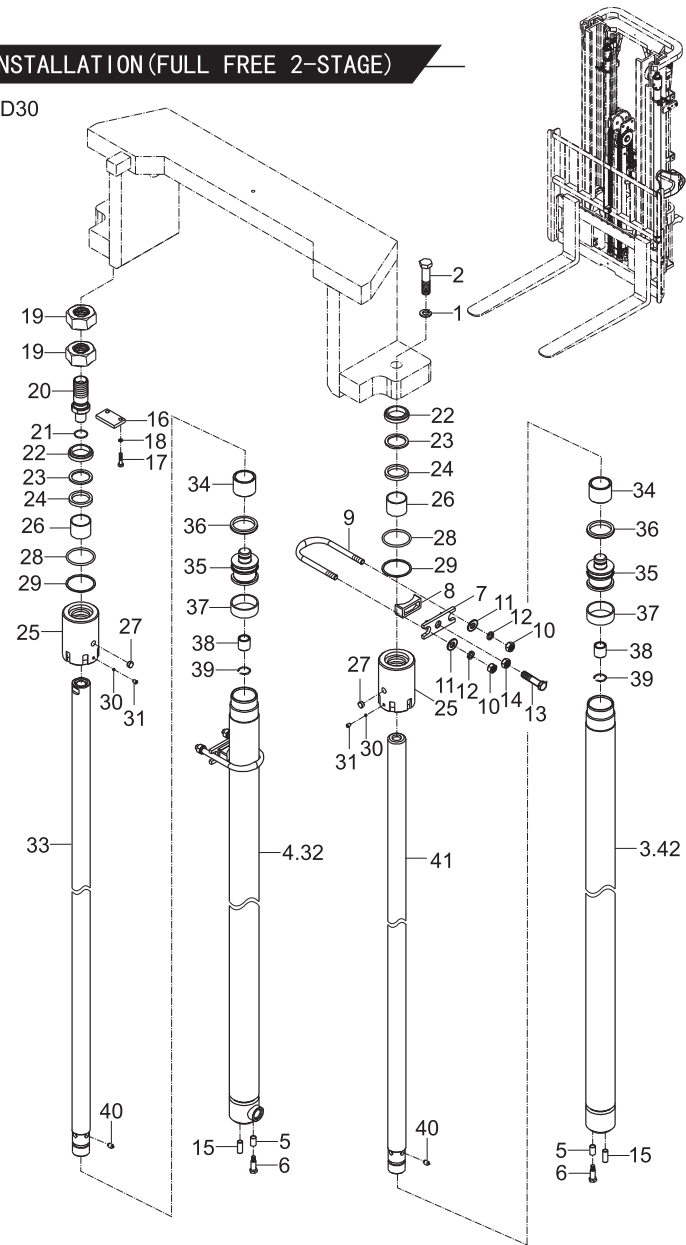


图27/FIG. 27 后起升油缸安装图 (二级全自由) / REAR LIFT CYLINDER INSTALLATION (FULL FREE 2-STAGE)

序号 Item No	图号 Part No	版本 Edition	零部件名称 Description	件数 Q'ty	备注 Remark
A	HRDH3K8403	D02	Rear lift cylinder installation 后起升油缸安装图	1	
01	B5050-00016	00	Washer,lock 垫圈16	1	GB93-87
02	B0330-16040	00	Bolt 螺栓M16x40	1	GB5783-86
03	HRDH3K8404A	D01	Rear lift cylinder L.H.(Inc.22-31,34-42) 后起升油缸左	1	见选用件表 See op. Parts
04	HRDH3K8404A	D00	Rear lift cylinder L.H.(Inc.20-40) 后起升油缸右	1	见选用件表 See op. Parts
05	HRD20B8407	D00	Sleeve 隔套	2	
06	B0530-12030	00	Bolt 螺栓M12x1.25x30	2	GB5786-86
07	D20B8-42041	00	Support 油缸支撑块	2	
08	D20B8-42051	00	Spacer 调整快	2	
09	HRD20B8408 D20B8-42061	01	U-Bolt U型螺栓	2	
10	B4223-00010	00	Nut 螺母M10x1.25	4	GB6171-86
11	B5310-00010	00	Washer 垫圈10	4	GB97.1-86
12	B5050-00010	00	Washer,lock 垫圈10	4	GB93-87
13	B0530-12050	00	Bolt 螺栓M12x1.25x50	2	GB5786-86
14	B4223-00012	00	Nut 螺母M12x1.25	2	GB6171-86
15	B3130-10026	00	Pin 销B10x26	2	GB119-86
16	DH3K8-43001	02	Plate 限位板	1	
17	B0330-06016	00	Bolt 螺栓M6x16	2	GB5783-86
18	B5050-00006	00	Washer,lock 垫圈6	2	GB93-87
19	B4430-00027	00	Nut 螺母M27x2	2	GB6173-86
20	DH3K8-42051A	00	Linkage 连接杆	1	
21	C00617	00	O-ring O型密封圈23.3x2.4	1	
22	23650-83581	00	Dust ring DKB型防尘圈40x52x7/10	2	
23	23650-83531	00	Catch 挡片50x40x3	2	
24	23918-52161	00	Seal ring 轴用密封圈40x50x6	2	
25	20038-36500	D00	Cap 缸盖	2	
26	Z2113-04030	00	Bushing 钢背轴承4030	2	
27	Q/ZB223.1	00	Plug 螺塞Z1/8"	4	
28	Z6003-06003	00	O-ring O型密封圈60x3.1	2	GB1235-76
29	20030-52881	D00	Catch 挡片60x55x1.6	2	

CPC,CPCD30



CLICK HERE TO **DOWNLOAD** THE COMPLETE MANUAL

- Thank you very much for reading the preview of the manual.
- You can download the complete manual from: www.heydownloads.com by clicking the link below



- Please note: If there is no response to CLICKING the link, please download this PDF first and then click on it.

CLICK HERE TO **DOWNLOAD** THE COMPLETE MANUAL