



G系列2.0t,2.5t

蓄电池平衡重式叉车
Battery Counterbalanced Forklift Trucks

零件目录

PARTS MANUAL

CLICK HERE TO **DOWNLOAD** THE COMPLETE MANUAL

- Thank you very much for reading the preview of the manual.
- You can download the complete manual from: www.heydownloads.com by clicking the link below



- Please note: If there is no response to CLICKING the link, please download this PDF first and then click on it.

CLICK HERE TO **DOWNLOAD** THE COMPLETE MANUAL

图7/FIG. 7

电气系统/ELECTRIC SYSTEM

序号 Item No	图号 Part No	版本 Edition	零部件名称 Description	件数 Q'ty	备注 Remark
26	D08QZHD-LED	00	Front combination lamp 合力前组合灯	2	
27	D08HZHD-LED	01	Rear combination lamp 后组合灯	2	
28	A7G52-40121	D00	Cover 组合开关盖板	1	
29	D08LEDSG	D00	Caution lamp LED闪光式警示灯	1	标配 STD
-	D08LEDXZ	D00	Caution lamp LED旋转式警示灯	1	选用 Option
30	H24C2-40701	D00	Dusty ring 防尘胶圈	6	
31	G2L32-40401	00	Rubber ring 出线胶圈	2	
32	B5310-00010	00	Washer 垫圈10	4	GB97.1-85
33	SY2983-BLK	D00	Hood 电源桩头护套	14	
34	D12-7427154	00	Magnetic ring 电机连接线磁环	12	
35	A7S92-43021	D01	Wire harness 警示灯过渡线束	1	
36	A6S92-40081	D02	Wire harness 后工作灯总成	1	选配后大灯 选用 Option
37	A6S72-40071	D00	Steering speed limit transition line 转弯限速过渡线	1	配转弯限速 选用 Option
-	A7S92-40161	D02	Steering speed limit transition line 转弯限速总成	1	GD1P
38	A6S92-40071	D00	Warning light switch 警示灯开关	1	选配旋转警示灯 选用 Option
39	D08LEDXZFM	D00	Caution lamp LED旋转蜂鸣警示灯	1	选用 Option
40	A7G52-40151	D01	Wire harness 驾驶室电气安装总成	1	选配驾驶室 选用 Option
41	A7S92-42011	D00	Cable 电缆连接线	1	HRA7S92403
42	A7S92-42021	D00	Cable 电缆连接线	1	HRA7S92403
43	A7S92-42031	D00	Cable 电缆连接线	1	HRA7S92403
44	Z9260-48350	D00	Clip 捆扎带4.8x350	15	
45	B4123-00004	00	Clip 螺母M4	1	GB6170-86
46	A7S92-40221	D00	Valve control switch 阀控开关	2	标配 (二片阀)
-				3	选配 (三片阀)
-				4	选配 (四片阀)
47	A7S92-40241	D01	Side pull proximity switch 侧拉接近开关	1	GD1P
48	B0230-10070	00	Bolt 螺栓M10x70	4	GB5782-86
49	B5050-00008	00	Washer,lock 垫圈10	5	GB93-87
50	B5310-00008	00	Washer 垫圈10	5	GB97.1-85
51	B0330-08016	00	Bolt 螺栓M8x16	5	GB5783-86

CPD20,25-GD1,GD1P

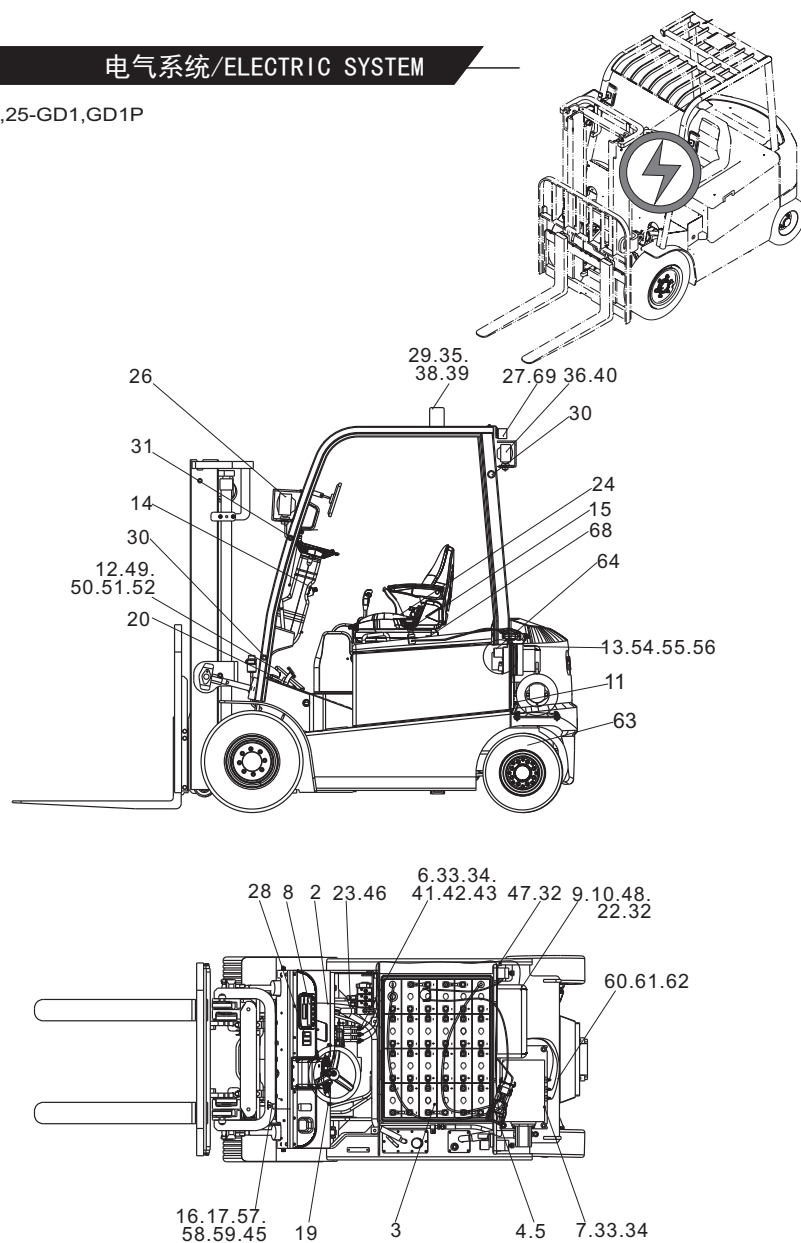
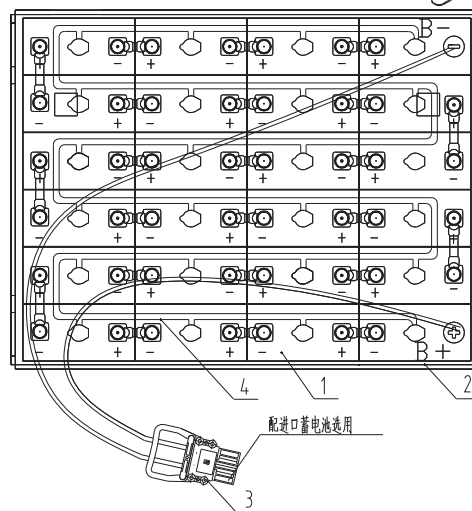
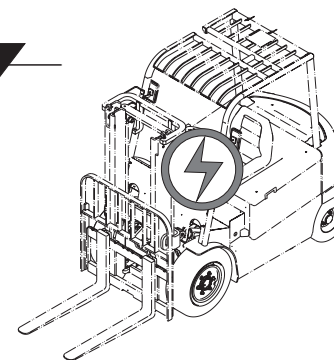


图24/FIG. 24

蓄电池组/BATTERY ASS'Y

序号 Item No	图号 Part No	版本 Edition	零部件名称 Description	件数 Q'ty	备注 Remark
A	HRA7S92404	D01	Battery ass'y 蓄电池组	1	
01	5PzS600	D00	Battery 蓄电池单体198x101x597	24	
02	A7S92-40211	01	Tank 蓄电池箱体	1	
03	A7S92-40081	D01	Battery socket 电源插座(接蓄电池端)	1	
04	ZDBSZZ-48V	D00	Automatic water adding device自动补水装置	1	选用 Option

CPD20,25-GC1P
CPD20,25-GC2P
CPD20,25-GD1P
CPD20,25-GD2P



序号	图号	品牌	容量	单体型号	单体名称	重量	连接方式	选型
1	A7S92-43031Y	国产	600AH	5PzS600	单体198X101X597	920	软连接	标配
2	A7S92-43031YF	FAAM	625AH	5TTM600(5PzS625)	单体198X101X600	960	软连接	选配
3	A7S92-43031YH	HOPPECKE	625AH	5HPzS625	单体198X101X598	920	软连接	选配
4	A7S92-43031YG	GS	600AH	5DCM600A(5PzS600)	单体198X101X605	930		选配
5	A7S92-43031YB	国产	600AH	5PzS600	单体198X101X597	920	软连接、带自动补水装置	选配
6	A7S92-43031YBF	FAAM	625AH	5TTM600(5PzS625)	单体198X101X600	960	软连接、带自动补水装置	选配
7	A7S92-43031YBH	HOPPECKE	625AH	5HPzS625	单体198X101X598	920	软连接、带自动补水装置	选配
8	A7S92-43031YBG	GS	600AH	5DCM600A(5PzS600)	单体198X101X605	920	带自动补水装置	选配

图32/FIG. 32

机罩类及座椅/HOOD & SEAT

序号 Item No	图号 Part No	版本 Edition	零部件名称 Description	件数 Qty	备注 Remark
A	A7G56-40001	06	Hood 机罩类 (包含1-20, 22-23)	1	
01	A6S56-49571	00	Pin 手制动护套	1	
02	A7G56-40021	02	Cap ass'y L.H. 左侧罩总成	1	
03	A7G56-40031	04	Cap ass'y R.H. 右侧罩总成	1	
04	A7G56-49501	03	Hood ass'y 配重盖	1	
05	A7G56-49511	03	Cover L.H. 左罩壳	1	
06	A7G56-49521	01	Cover R.H. 右罩壳	1	配ZAPI仪表 For ZAPI meter
-	A7G56-49581	01	Cover R.H. 右罩壳	1	配CURTIS仪表 For curtis meter
07	A7G56-49561	00	Cushion 隔音垫	2	
08	A7G56-49531	04	Cover(fornt) 前罩壳	1	
09	A7G56-49541	04	Cover(rear) 后罩壳	1	
10	A7X36-44061A	01	Cover(down) 下罩壳	1	
11	A22A6-42511	01	Screw 螺钉	2	
12	A7G56-49591	03	Cover(up) 多路阀罩壳上	1	
13	A7G56-49601	02	Cover(down) 多路阀罩壳下	1	
14	A79M6-40151	00	Bracket 侧罩挂架	2	
15	B5310-00008	00	Washer 垫圈	8	GB97.1-85
16	B5050-00008	00	Lock washer 垫圈	8	GB93-87
17	B0330-08020	00	Bolt 螺栓M8x20	4	BG5783-86
18	B1210-05012	00	Screw 螺钉M5x12	7	GB818-85
19	B5050-00005	00	Lock washer 垫圈	5	GB93-87
20	B5310-00005	00	Washer 垫圈	7	GB95-85
21	A61Q6-80001	00	Seat 座椅	1	
22	A7G56-49551	01	Mounting plate 插座安装板	1	
23	B0330-08025	00	Bolt 螺栓M8x25	2	GB5783-86
24	A7G56-40011	06	Cover ass'y 蓄电池箱盖总成	1	

CPD20,25-GC1
CPD20,25-GC2
CPD20,25-GD1
CPD20,25-GD2

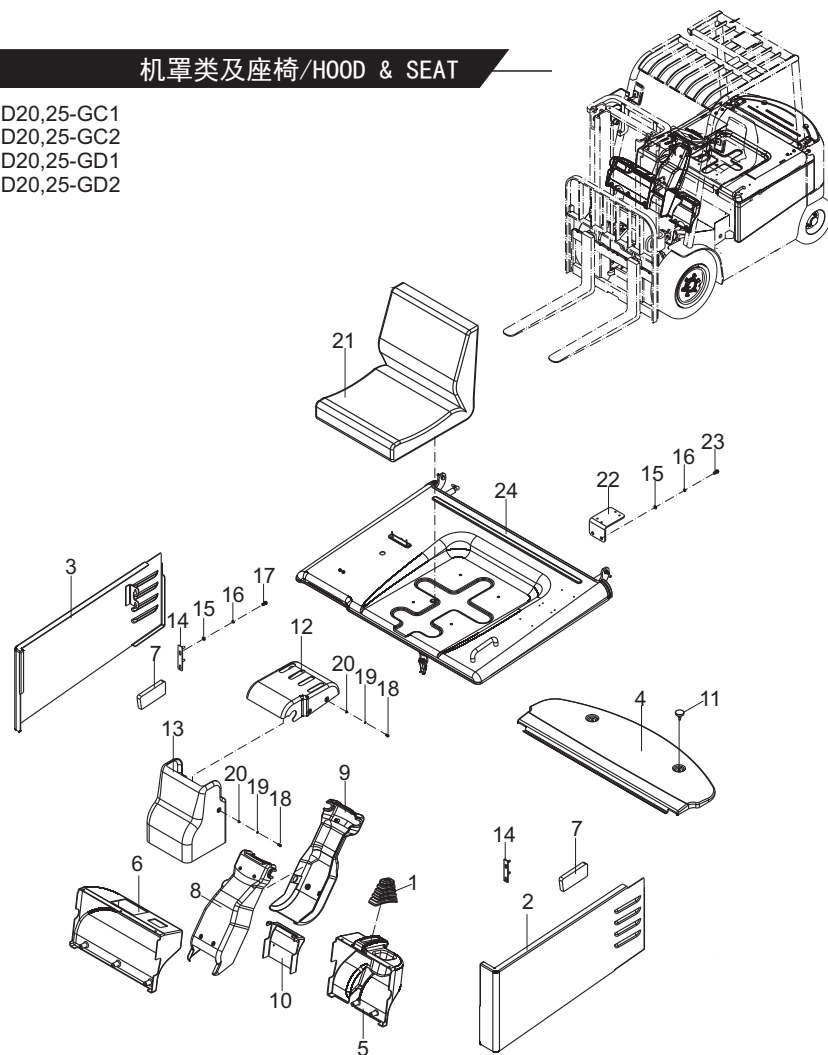
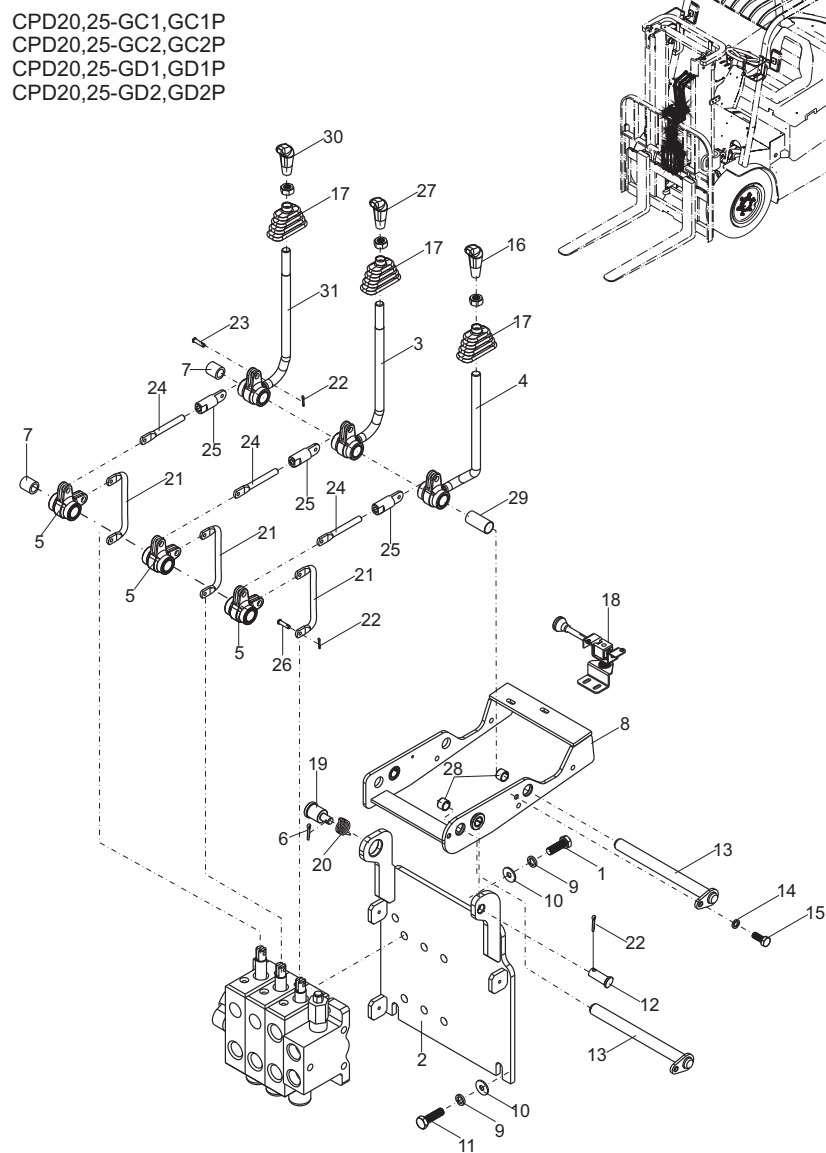


图40/FIG. 40

操纵杆总成(三片)/VALVE CONTROL LINKAGE (THREE-THROW)

序号 Item No	图号 Part No	版本 Edition	零部件名称 Description	件数 Q'ty	备注 Remark
A	HRA7S37401 A7S37-40031	01	Valve control linkage 多路阀操纵总成	1	
01	B0530-10030	00	Bolt 螺栓M10x1.25x30	3	GB5786-86
02	A7S37-40101	01	Bracket 多路阀安装支架	1	
03	A7S37-40901	00	Level,tilt(Inc.29) 倾斜操纵总成	1	
04	A7S37-40701	00	Lever,lift(Inc.29) 升降操纵杆总成	1	
05	A7S37-40601	00	Link(Inc.29) 连杆	3	
06	B3010-04030	00	Pin 销4x30	2	GB91-86
07	23657-42131	00	Spacer 调节套	2	
08	A7S37-40201	00	Bracket ass'y(Inc.28) 操纵支架总成	1	
09	B5050-00010	00	Washer,lock 垫圈10	6	GB93-87
10	B5310-00010	00	Washer 垫圈10	6	GB97.1-85
11	B0330-10035	00	Bolt 螺栓M10x35	3	GB5783-86
12	B3220-12030	00	Pin 销B12x30	1	GB882-86
13	A77B7-40601	00	Shaft 轴总成	2	
14	B0330-06016	00	Bolt 螺栓M6x16	2	GB5783-86
15	B5050-00006	00	Washer,lock 垫圈6	2	GB93-87
16	HRG27Z7421 G27Z7-42001	00	Knob,lift 倾斜手柄	1	
17	Q60H7-42151	D01	Sleeve 护套	3	
18	A6S57-40901	02	Lock unit 锁机构	1	
19	A77B7-42131	00	Pin 销	1	
20	A77B7-42141	01	Spring 弹簧	1	
21	A7S37-42161	01	Link 弯连杆	3	
22	B3010-02012	00	Pin 销2x12	12	GB91-86
23	A7S37-42171	00	Pin 销钉	9	
24	A7S37-42091	01	Link 直连杆	3	
25	A7S37-42181	01	Jointy 接头	3	
26	22717-40061	00	Pin 销钉	3	
27	HRG27Z7421 G27Z7-42011	00	Knob,tilt 倾斜手柄	1	
28	Z2111-01210	00	Bushing 钢背轴承1210	2	Q/AC 40001-2002
29	23457-42101	00	Spacer 衬套	6	



CLICK HERE TO **DOWNLOAD** THE COMPLETE MANUAL

- Thank you very much for reading the preview of the manual.
- You can download the complete manual from: www.heydownloads.com by clicking the link below



- Please note: If there is no response to CLICKING the link, please download this PDF first and then click on it.

CLICK HERE TO **DOWNLOAD** THE COMPLETE MANUAL