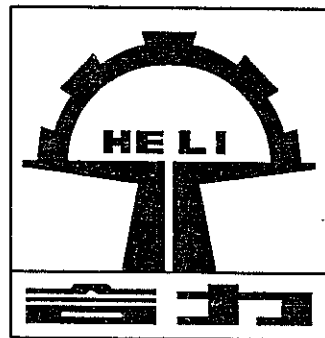


L09—1:1999

8t、10t 柴油——液力传动叉车
8t、10t Fork. Lift Truck
(Diesel——Torque Converter)

零件目录

PARTS CATALOGUE



安徽叉车集团公司
合力股份有限公司
ANHUI FORKLIFT GROUP
HELI CORPORATION

CLICK HERE TO **DOWNLOAD** THE COMPLETE MANUAL

- Thank you very much for reading the preview of the manual.
- You can download the complete manual from: www.heydownloads.com by clicking the link below



- Please note: If there is no response to CLICKING the link, please download this PDF first and then click on it.

CLICK HERE TO **DOWNLOAD** THE COMPLETE MANUAL

图 3—1 冷却系统

Fig. 3—1 COOLING SYSTEM

CPCD80,100

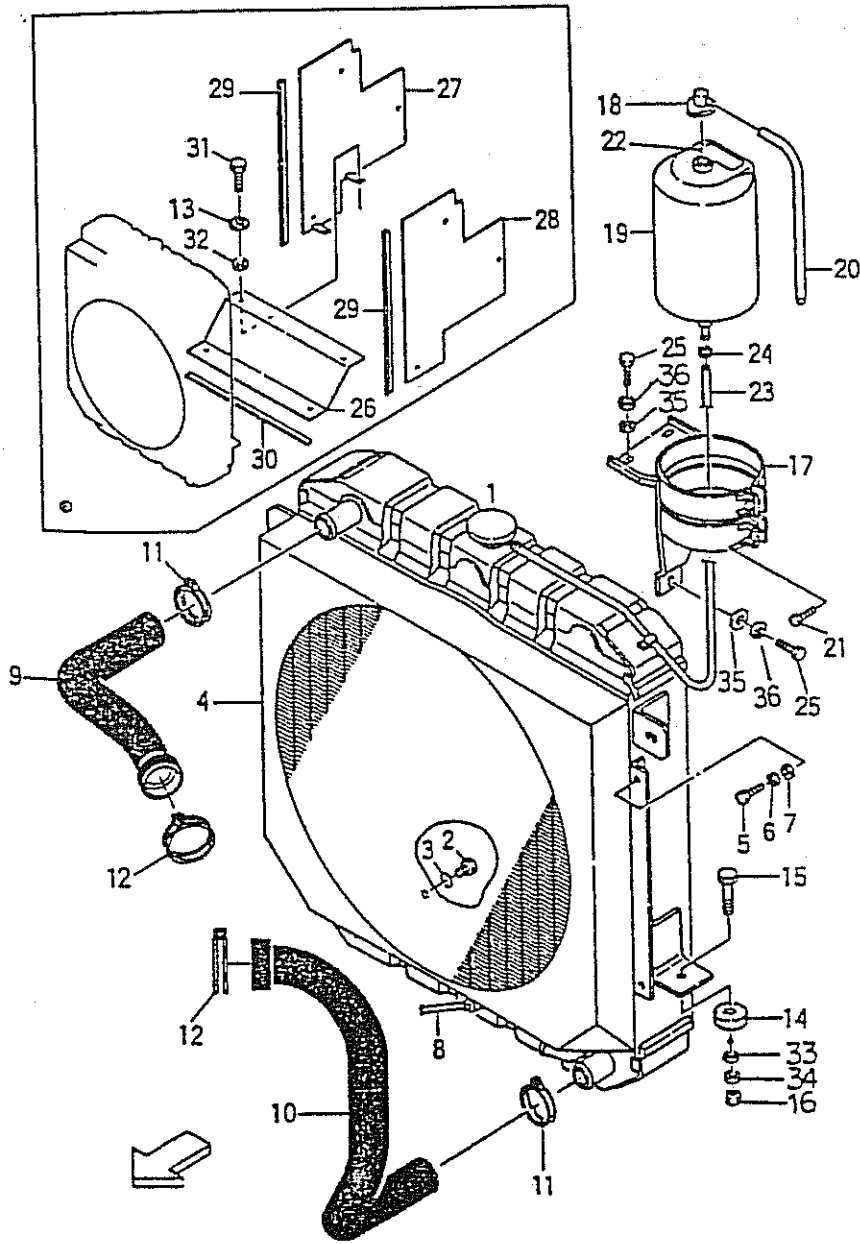


图 4—2 燃油系统

Fig. 4—2 FUEL SYSTEM

CPCD80,100

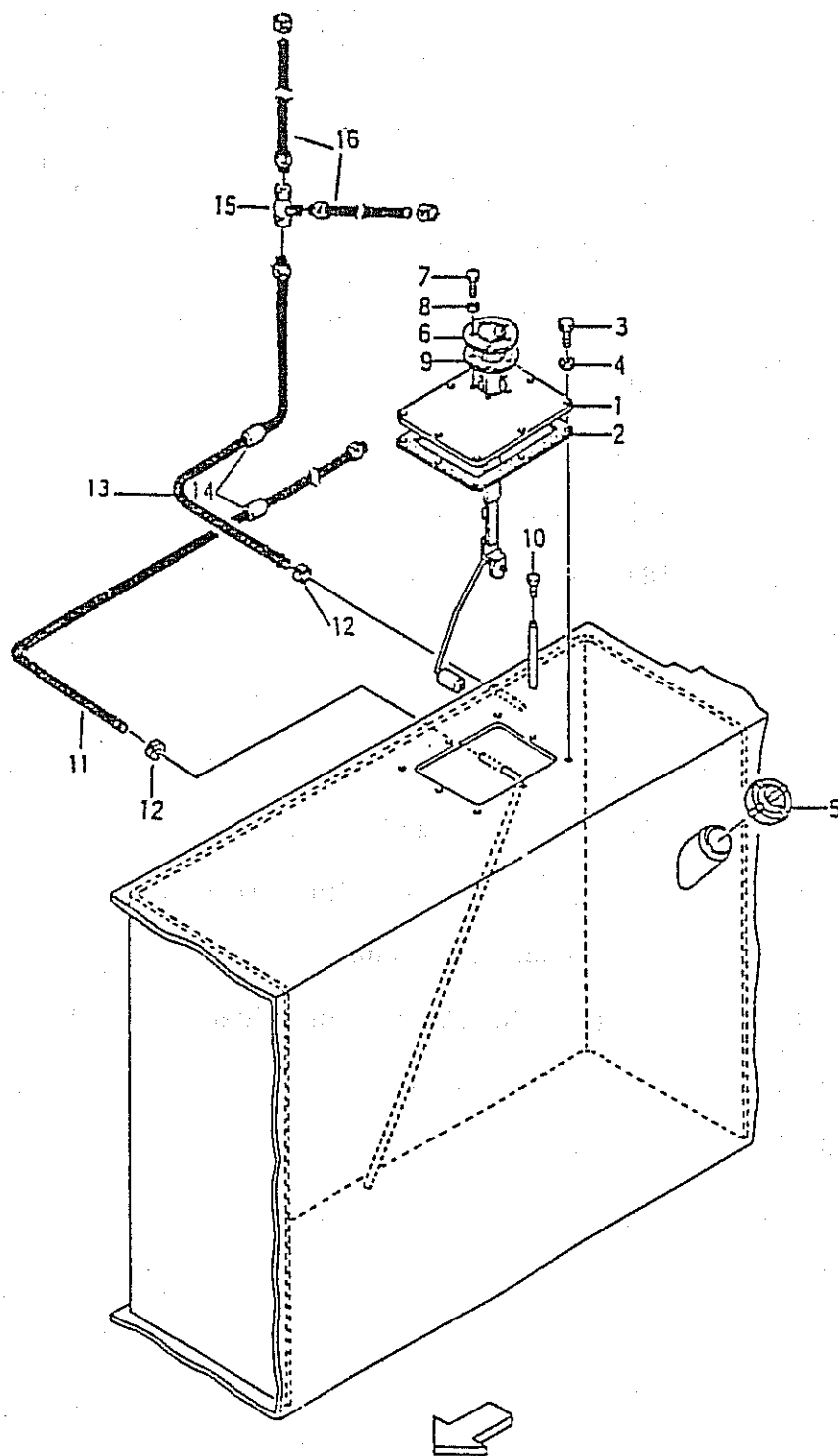


图 6-2 电气系统

Fig. 6-2 ELECTRIC SYSTEM

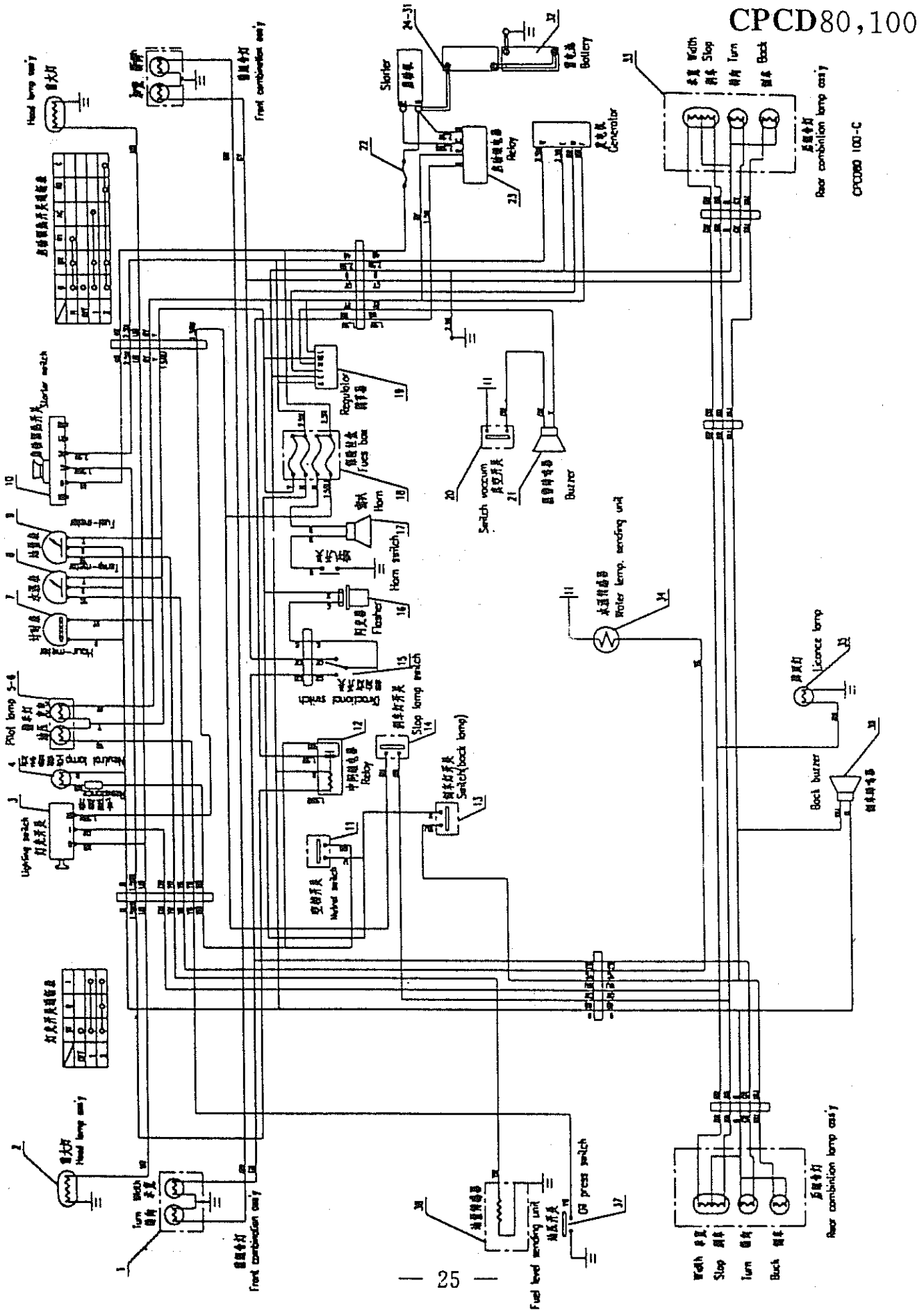


图 8 传动装置

Fig. 8 DRIVE UNIT

CPCD80,100

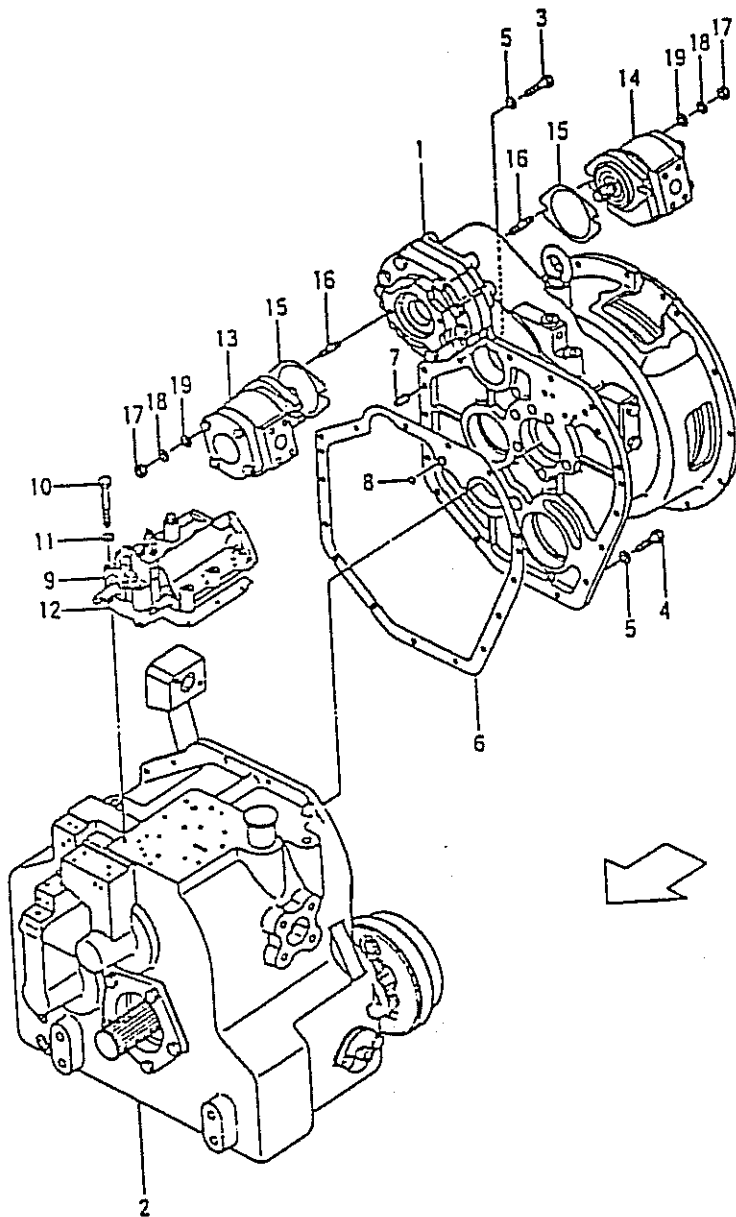


图 10 变速箱(1/2)

Fig. 10 TRANSMISSION(1/2)

CPCD80,100

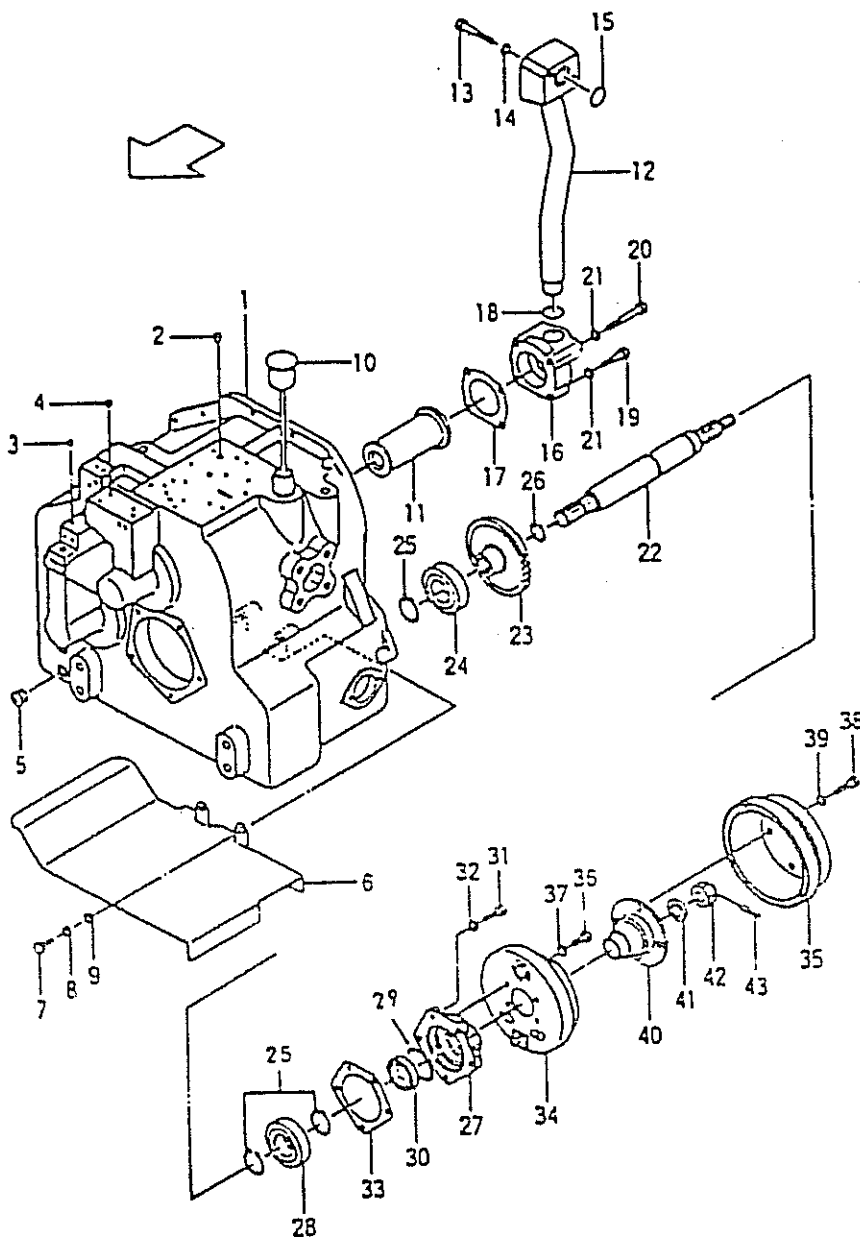


图 12 供油泵

Fig. 12 CHARGING PUMP

CPCD80,100

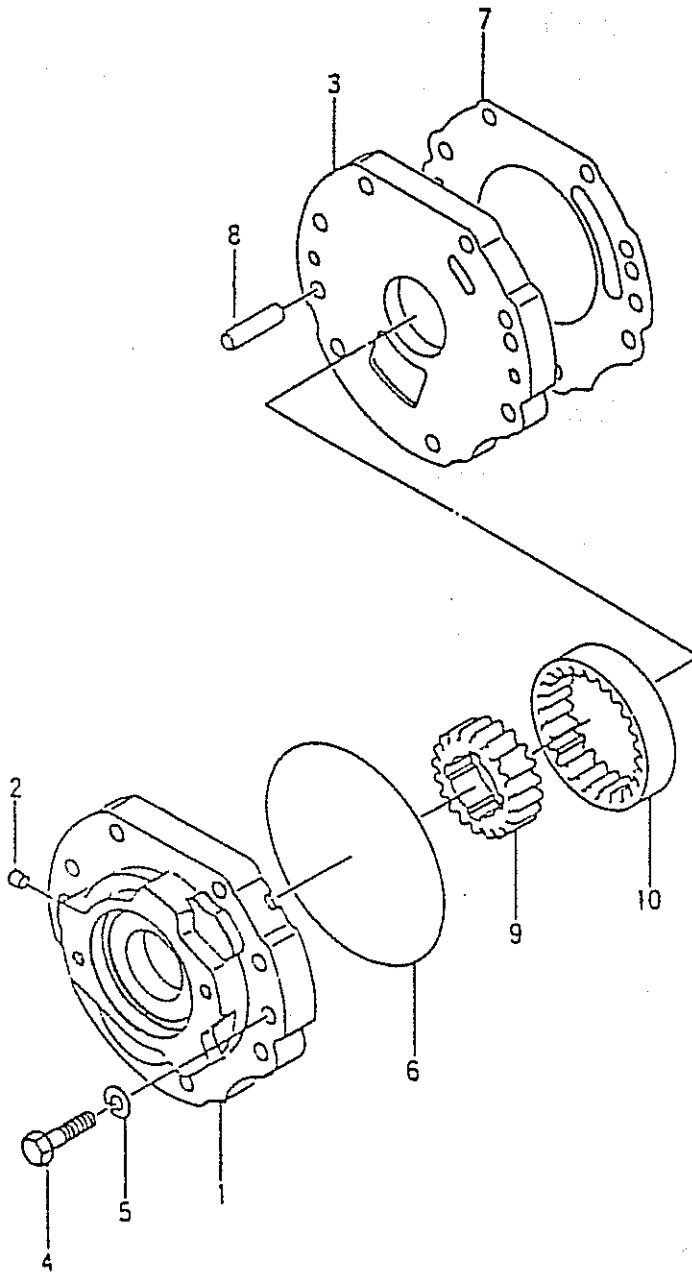


图 15 停车制动器

Fig. 15 PARKING BRAKE

CPCD80,100

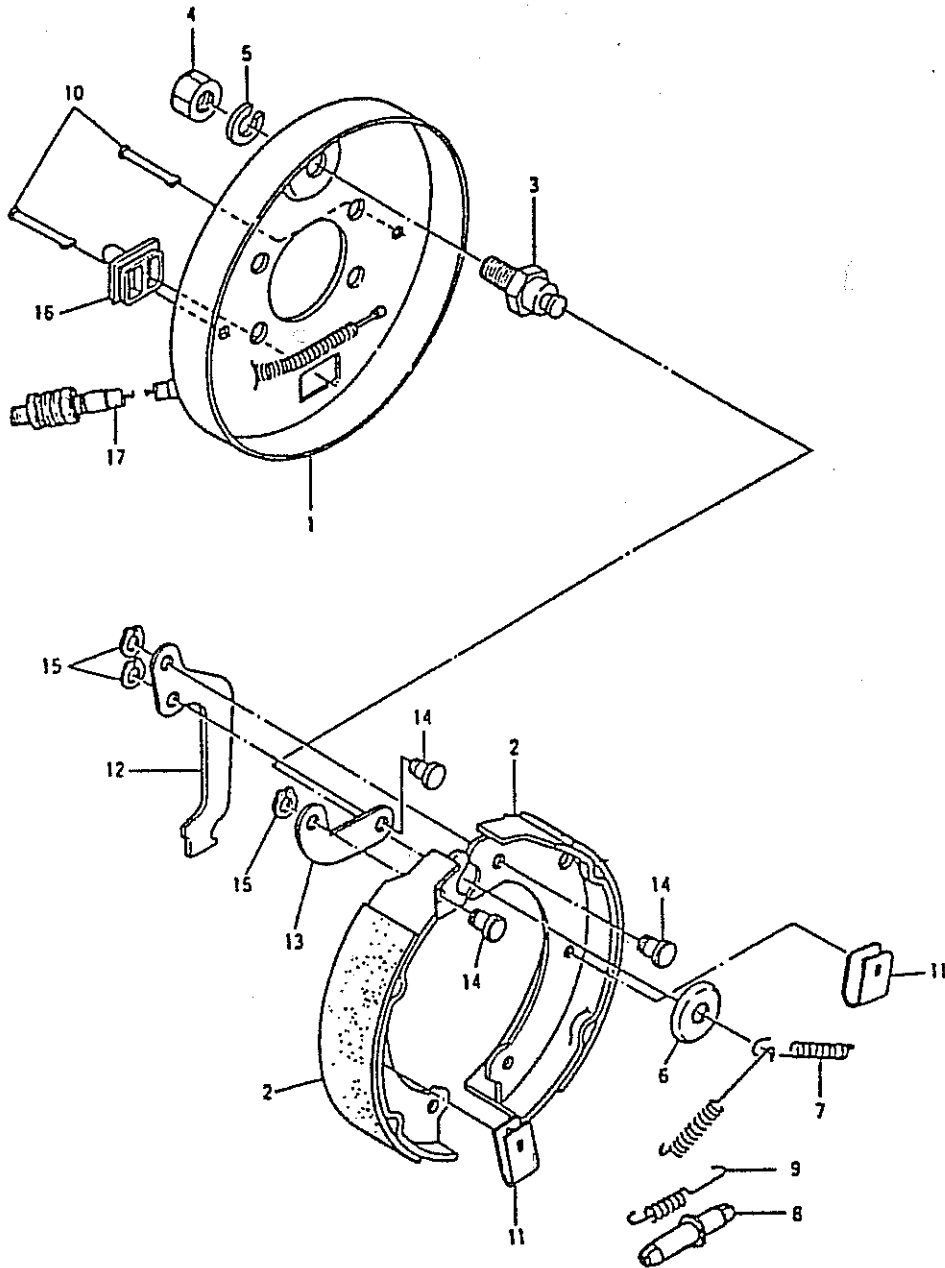


图 18 差速器总成

Fig. 18 DIFFERENTIAL UNIT

CPCD80,100

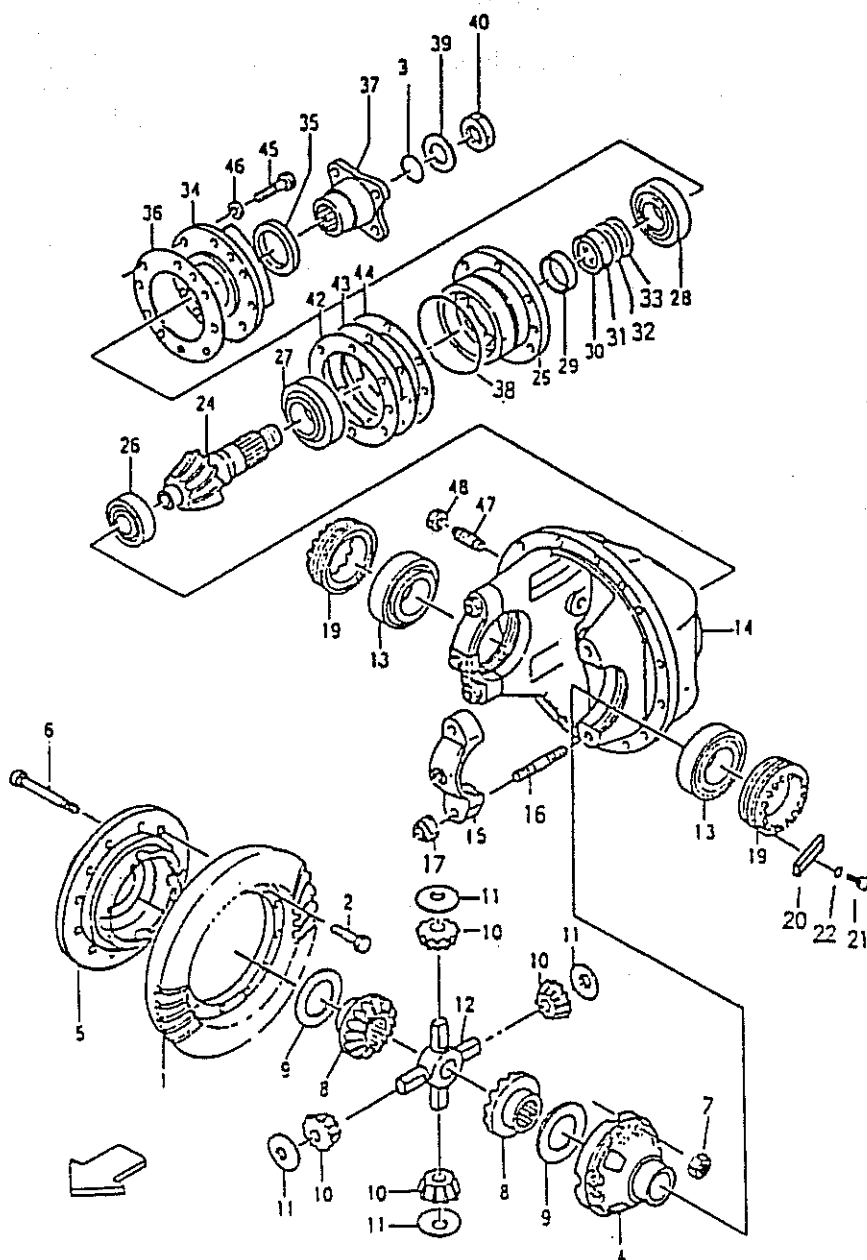
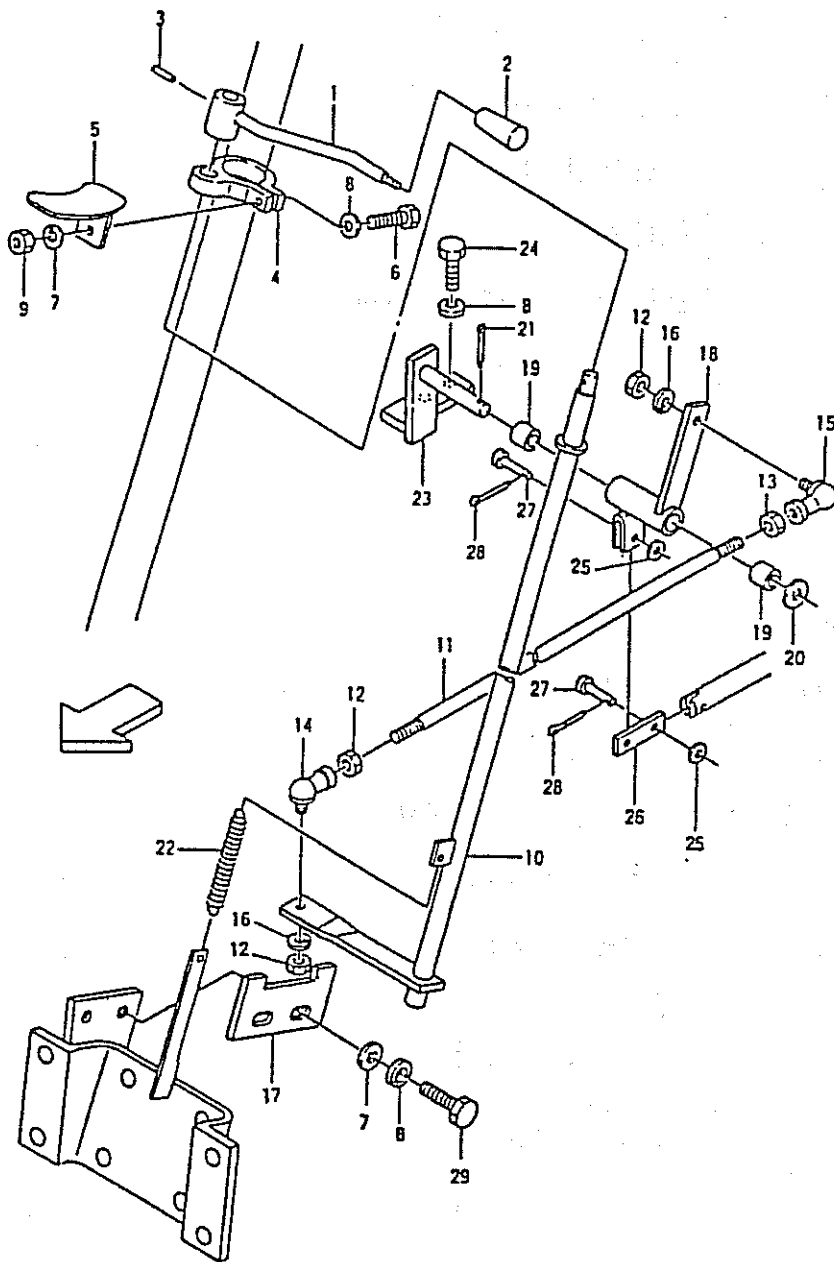


图 20 变速操纵

Fig. 20 CONTROL LINKAGE

CPCD80,100



CLICK HERE TO **DOWNLOAD** THE COMPLETE MANUAL

- Thank you very much for reading the preview of the manual.
- You can download the complete manual from: www.heydownloads.com by clicking the link below



- Please note: If there is no response to CLICKING the link, please download this PDF first and then click on it.

CLICK HERE TO **DOWNLOAD** THE COMPLETE MANUAL

图 23-2 转向桥(2)
 Fig. 23-2 STEERING AXLE(2)

CPCD80,100

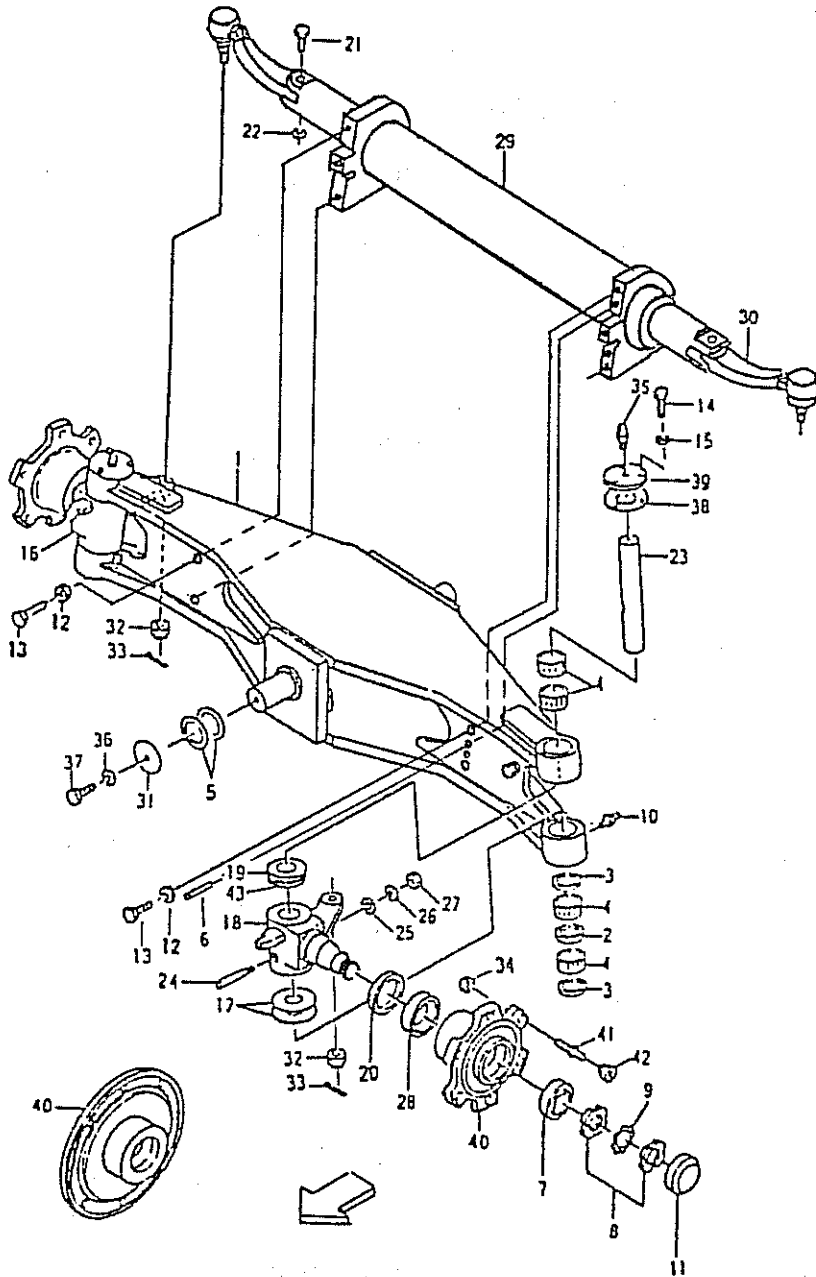


图 25—2 油门踏板

Fig. 25—2 ACCELERATOR PEDAL

CPCD80,100

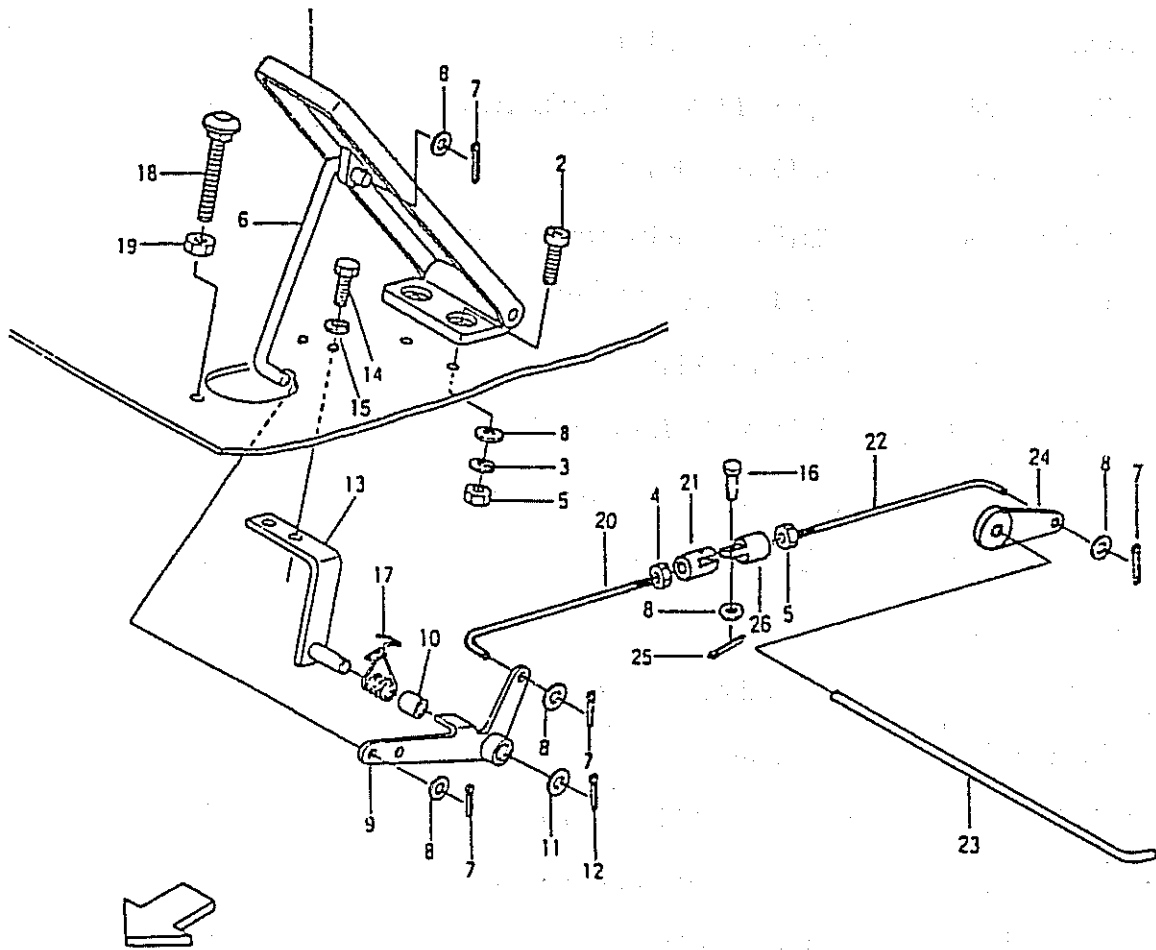


图 28 制动总泵

Fig. 28 MASTER CYLINDER

CPCD80,100

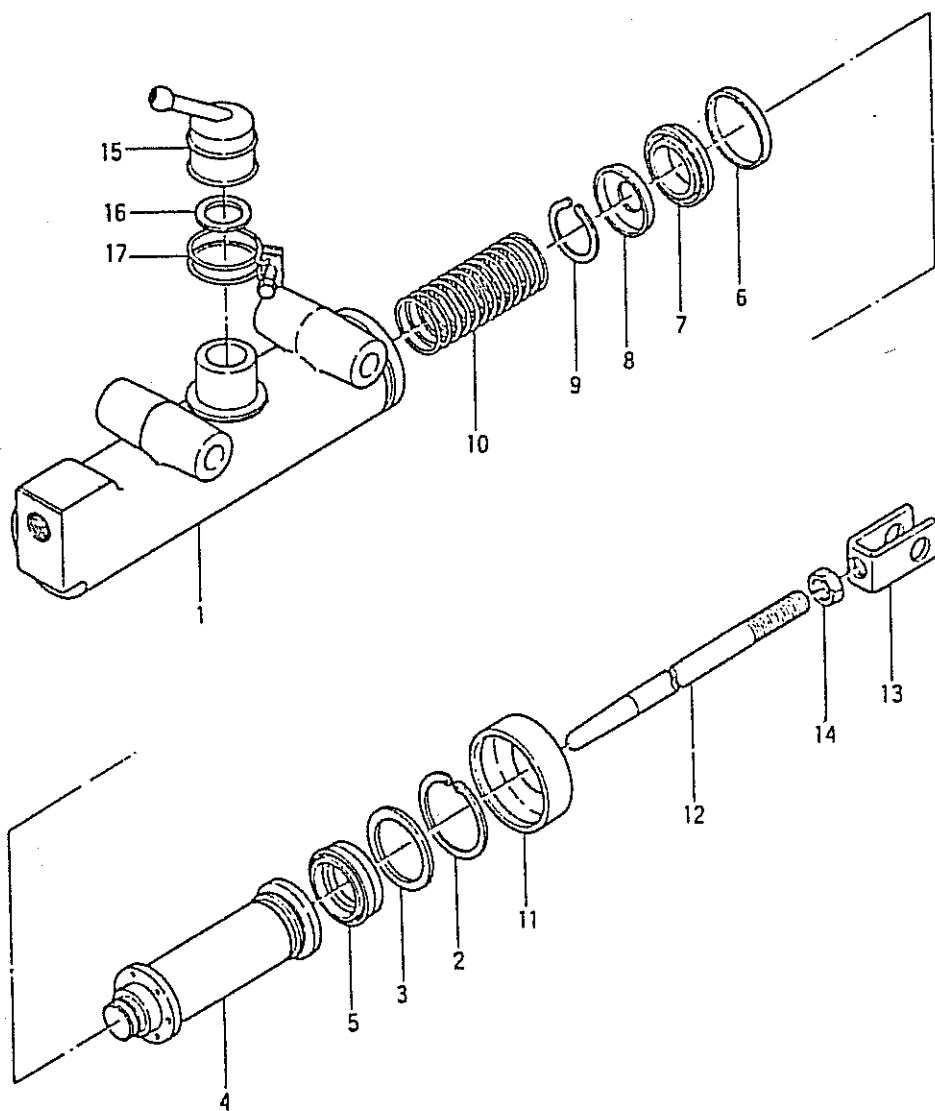


图 30 真空增压器

Fig. 30 HYDROMASTER

CPCD80,100

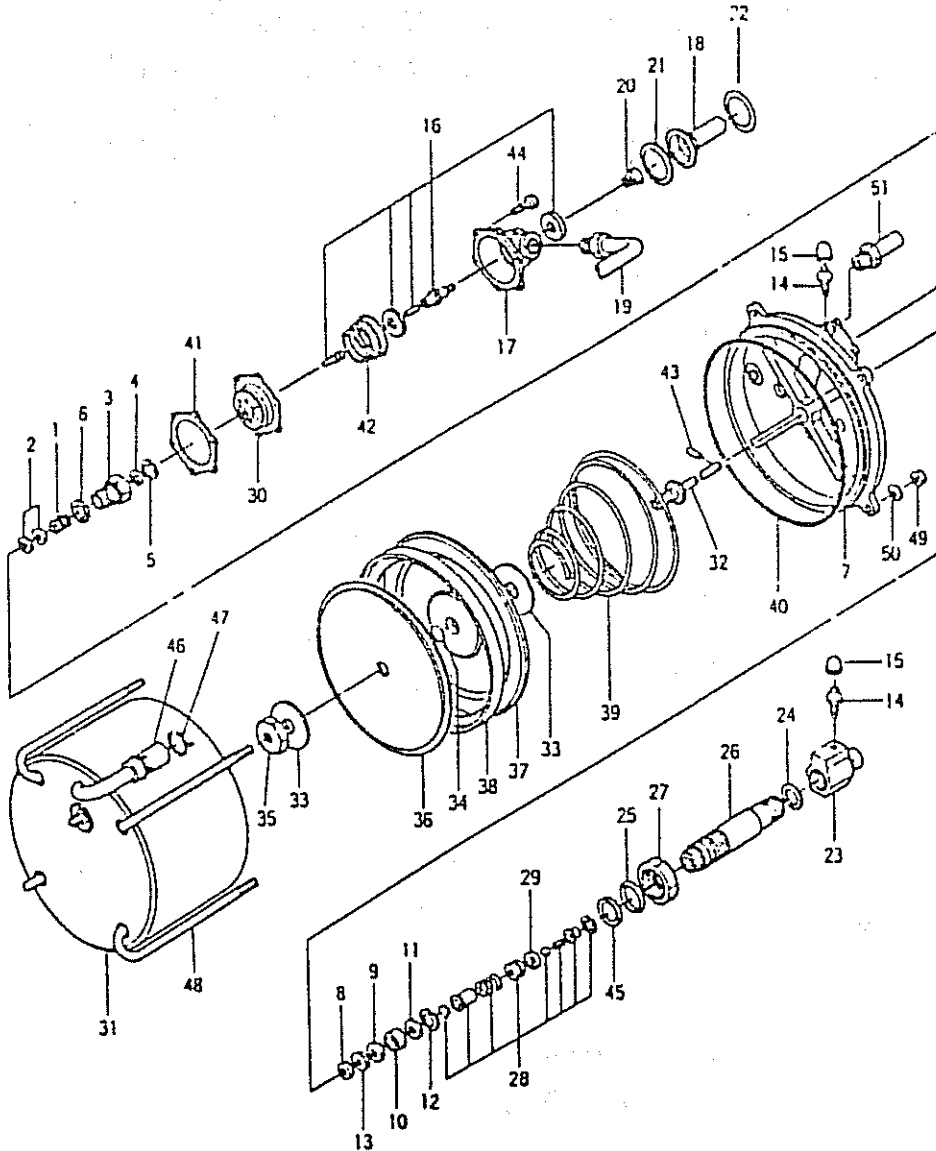


图 33 罩板、底板、仪表板

Fig. 33 HOOD, FLOOR, BOARD

CPCD80,100

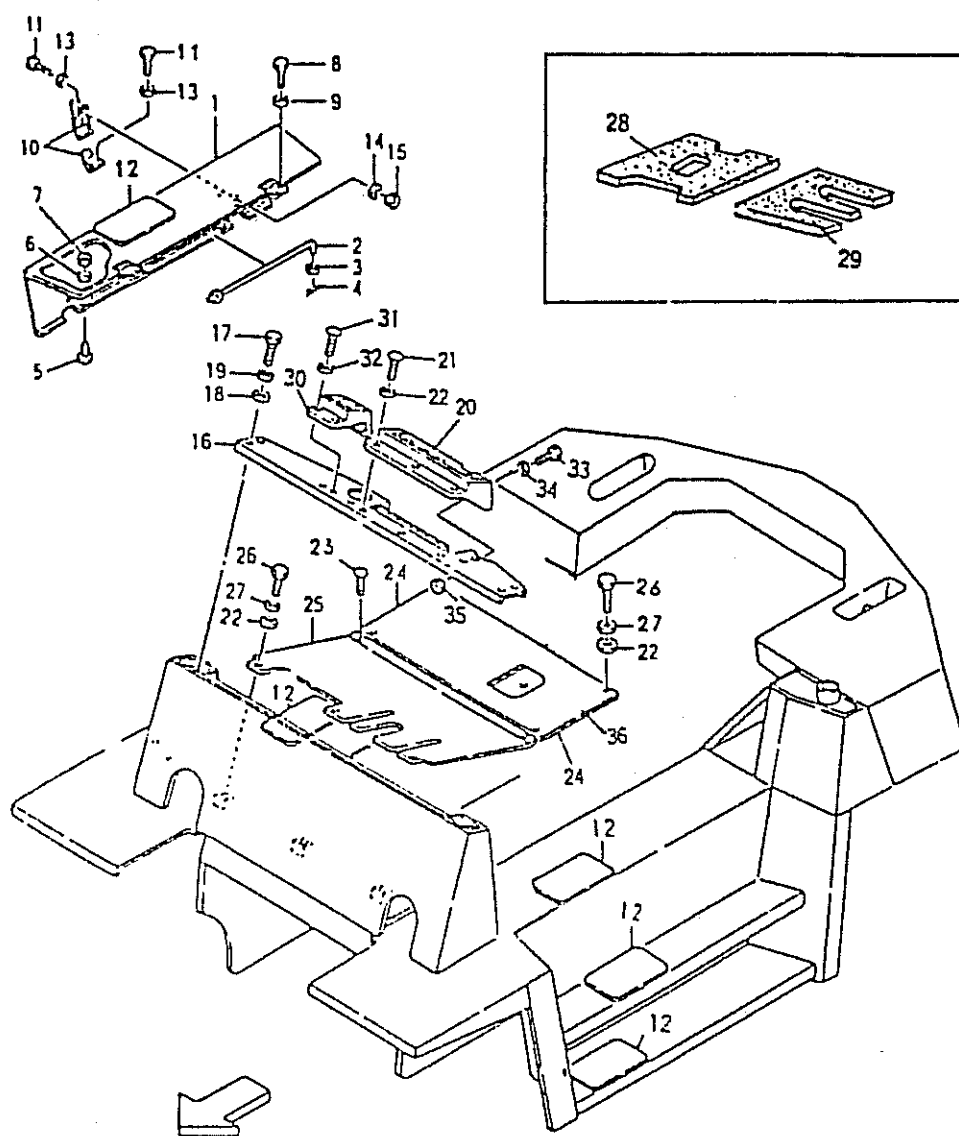


图 36 油箱

Fig. 36 OIL TANK

CPCD80,100

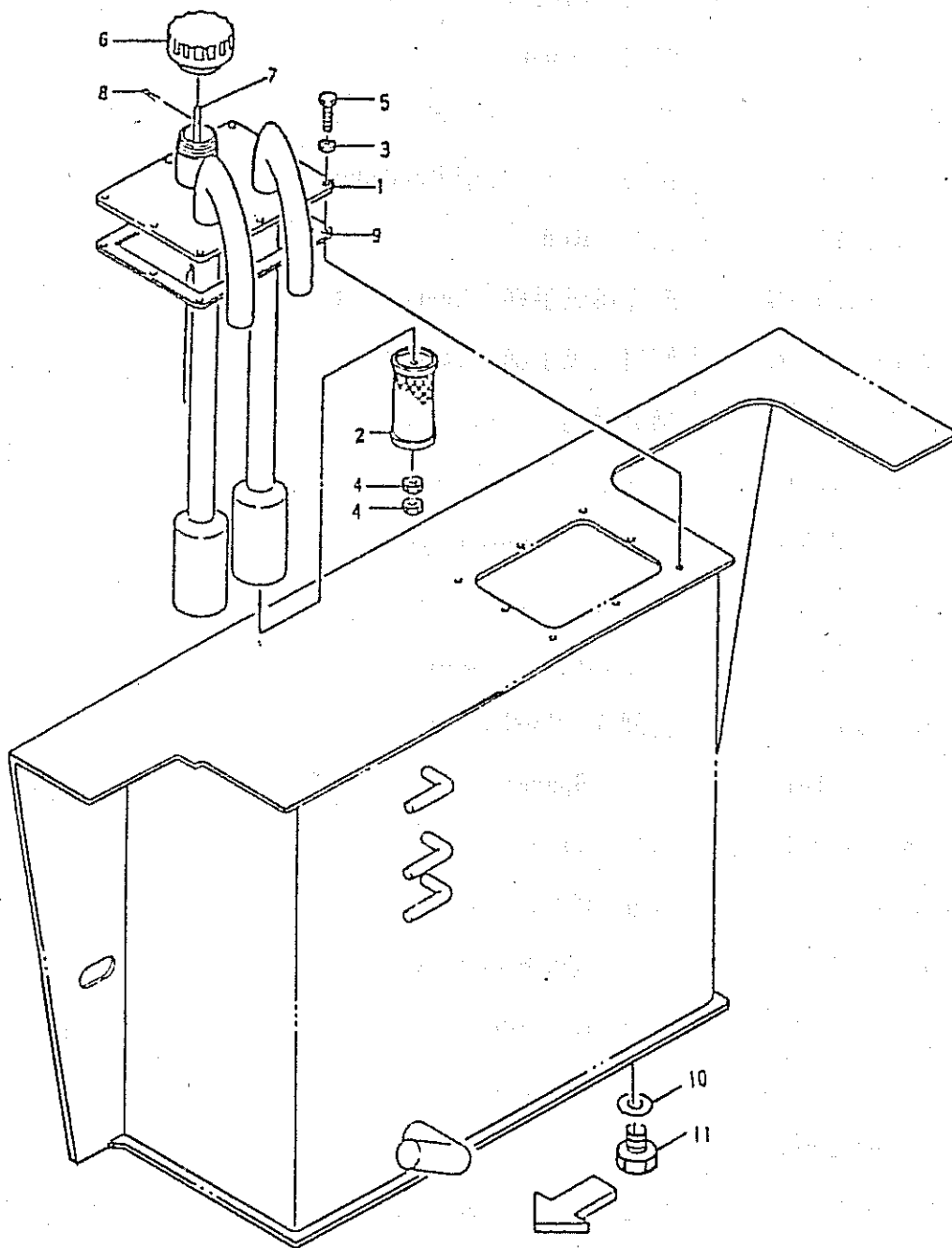


图 37—2 主液压系统(2/2)

Fig. 37—2 HYDRAULIC SYSTEM(2/2)

CPCD80,100

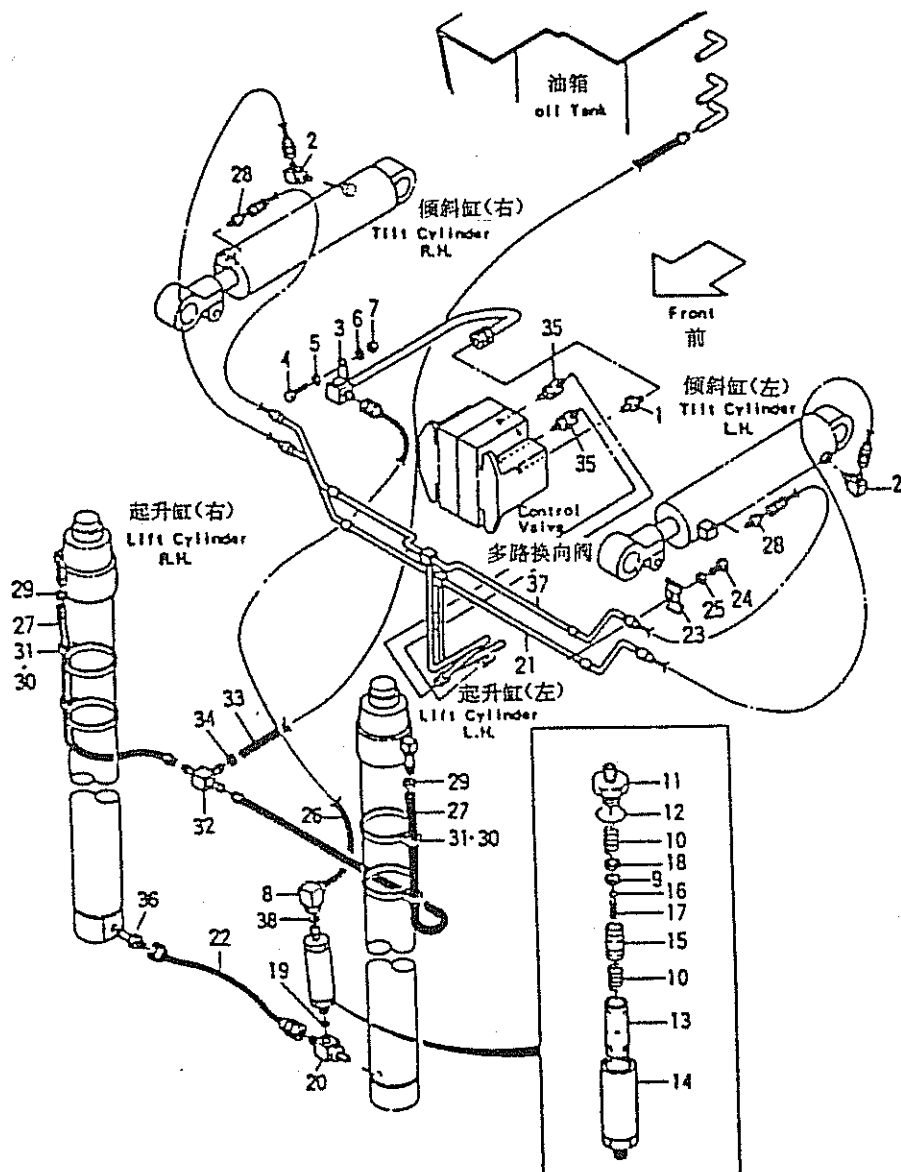
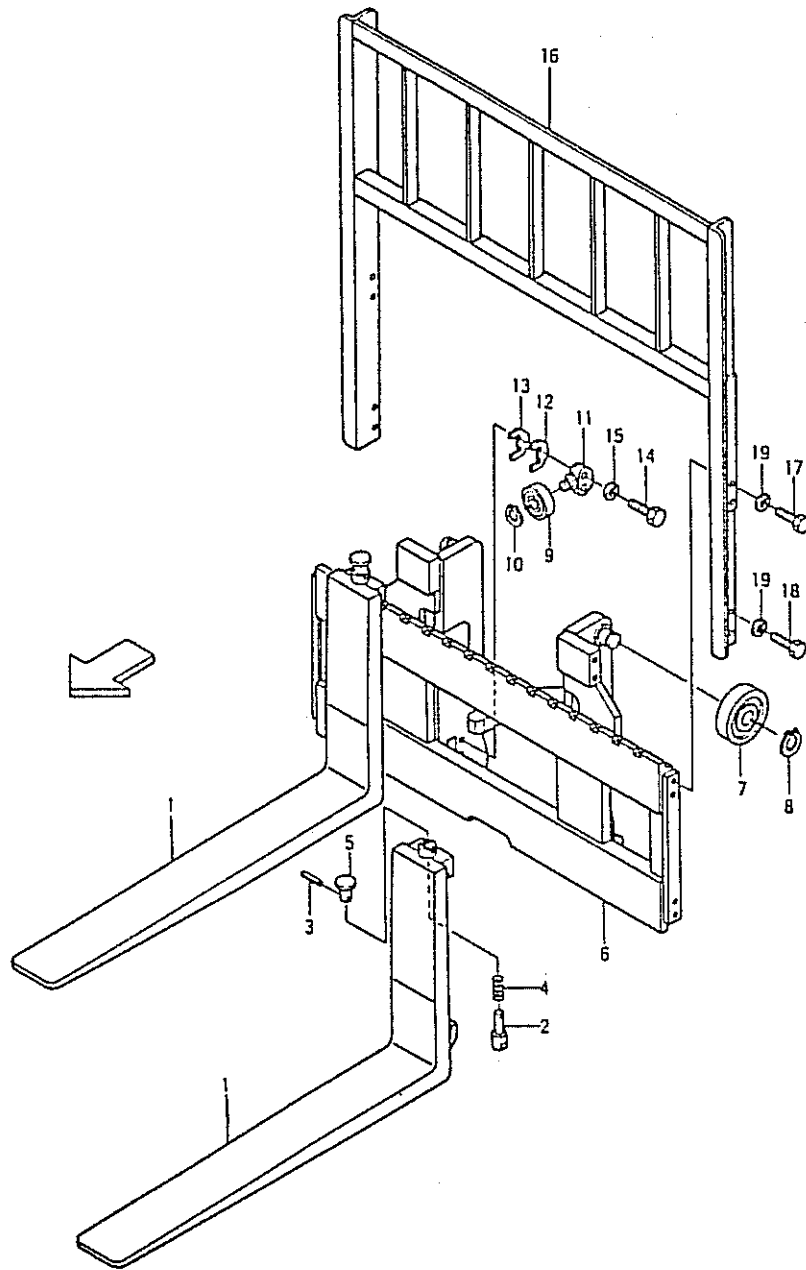


图 39—1 货叉及货叉架

Fig. 39—1 FORK & LIFT BRACKET

CPCD80



MATH 101

Final Exam

NAME: _____
 ID: _____

Q.No	Answer	Solution	Marks	Total
1				
2				
3				
4				
5				
6				
7				
8				
9				
10				
11				
12				
13				
14				
15				
16				
17				
18				
19				
20				
21				
22				
23				
24				
25				
26				
27				
28				
29				
30				
31				
32				
33				
34				
35				
36				
37				
38				
39				
40				
41				
42				
43				
44				
45				
46				
47				
48				
49				
50				

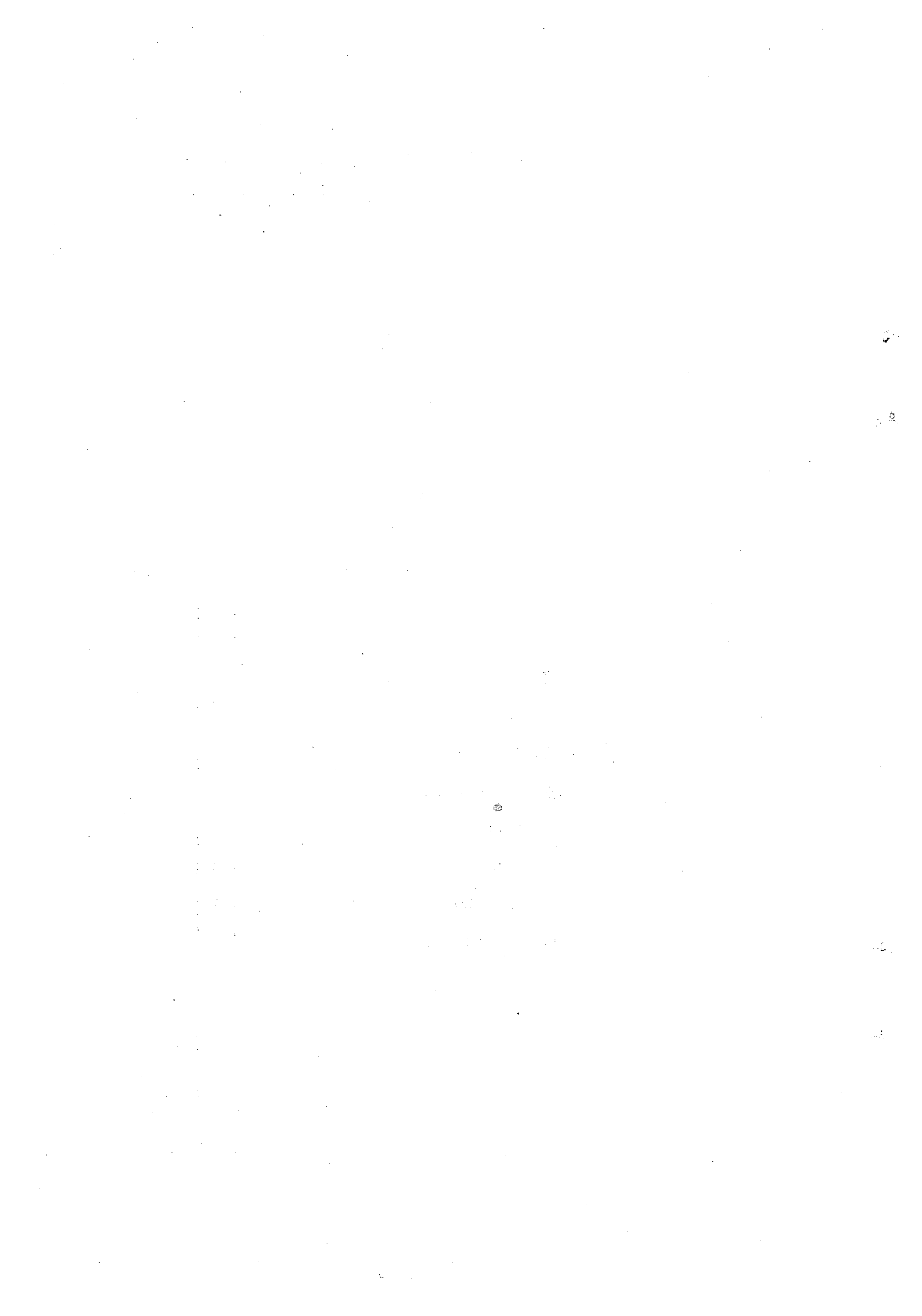
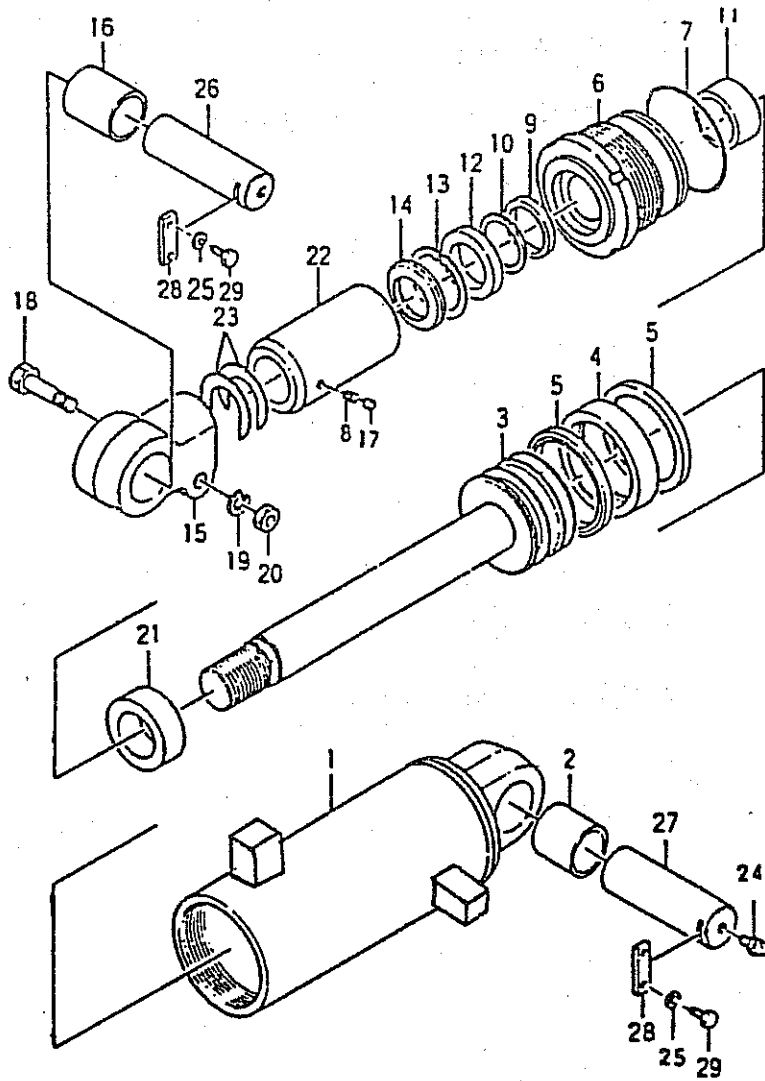


图 42 倾斜油缸

Fig. 42 TILT CYLINDER

CPCD80,100



CLICK HERE TO **DOWNLOAD** THE COMPLETE MANUAL

- Thank you very much for reading the preview of the manual.
- You can download the complete manual from: www.heydownloads.com by clicking the link below



- Please note: If there is no response to CLICKING the link, please download this PDF first and then click on it.

CLICK HERE TO **DOWNLOAD** THE COMPLETE MANUAL