



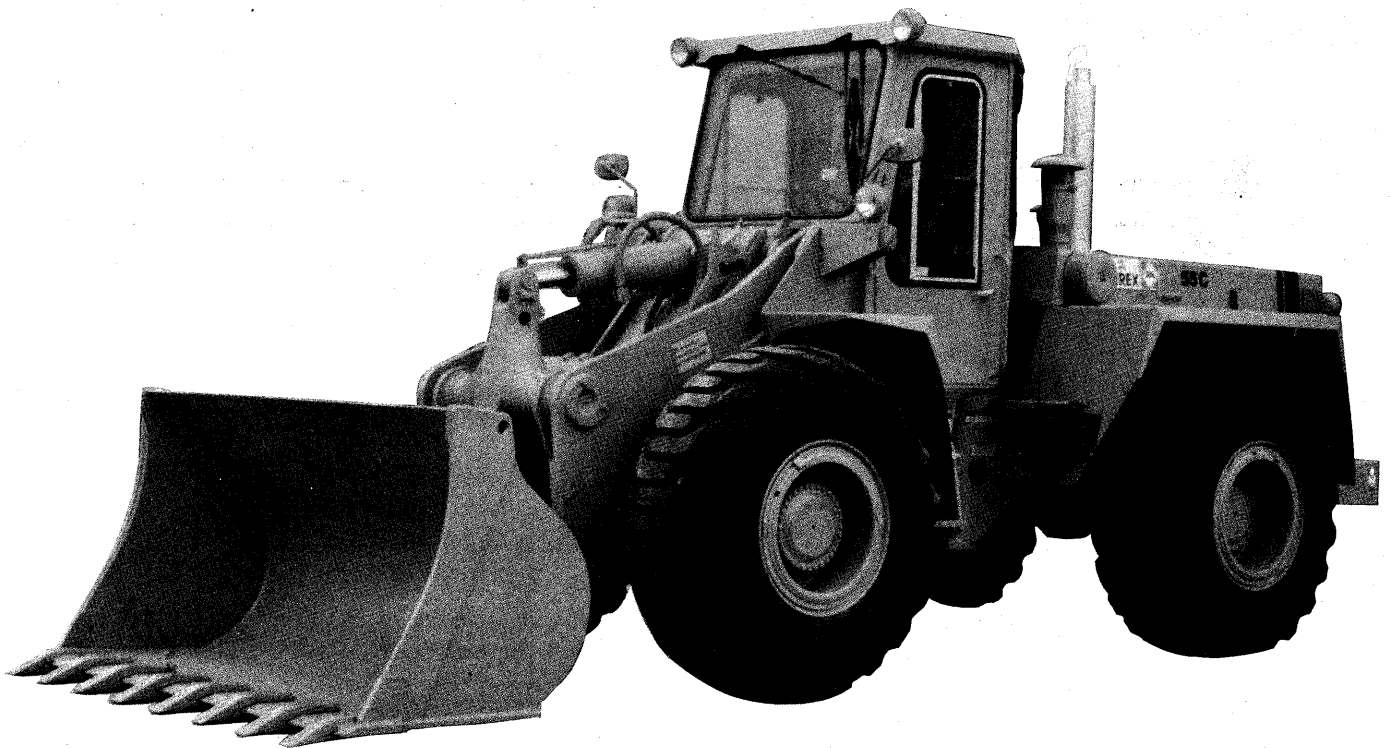
# parts CATALOG

SERIAL: \_\_\_\_\_

PROPERTY OF: \_\_\_\_\_

FURNISHED BY: \_\_\_\_\_

DATE ISSUED: \_\_\_\_\_



## 55C LOADER

CLICK HERE TO **DOWNLOAD** THE COMPLETE MANUAL

- Thank you very much for reading the preview of the manual.
- You can download the complete manual from: [www.heydownloads.com](http://www.heydownloads.com) by clicking the link below



- Please note: If there is no response to CLICKING the link, please download this PDF first and then click on it.

CLICK HERE TO **DOWNLOAD** THE COMPLETE MANUAL

# Symbols & Notes

 FROM SERIAL OR ENGINE NUMBER


---

 UP TO SERIAL OR ENGINE NUMBER

---

 REPAIRS AND REPLACES

---

 SEE PAGE - REFERENCE NUMBER


---

 ALTERNATIVE


---

 ORDER


---

 FOR GERMANY ONLY OR ANY TEXT IN GERMAN ONLY

---

 FOR FRANCE ONLY OR ANY TEXT IN FRENCH ONLY


---

 FOR ITALY ONLY OR ANY TEXT IN ITALIAN ONLY

---

 FOR U.K. ONLY OR ANY TEXT IN ENGLISH ONLY

---

) ( WITHOUT OR NOT FOR  
 EXAMPLE: )  ( NOT FOR GERMANY

---

 THICKNESS

---

SI SERVICE INFORMATION

---

IF A SUITABLE SYMBOL IS NOT AVAILABLE A NOTE WILL BE USED AT THE FOOT OF THE LAST PAGE OF THE CHAPTER THE NOTE WILL BE REFERRED TO BY INSERTING AN ALPHA CHARACTER IN COLUMN 'H' AGAINST THE APPROPRIATE PARTS

<p>4. <u>Chassis and superstructure</u></p> <p>.....</p> <p>Frame, front frame, rear frame..... 237</p> <p>Hood..... 241</p> <p>Radiator case..... 245</p> <p>Soundproofing..... 247</p> <p>Driver's platform and steps..... 249</p> <p>Vehicle without driver's cab..... 251</p> <p>Chassis for de luxe model safety cabin.. 253</p> <p>Roof F.O.P.S..... 255</p> <p>Roof, vented..... 257</p> <p>Driver's platform and windows for safety cabin..... 259</p> <p>Driver's cabin, door..... 261</p> <p>Sliding window..... 263</p> <p>Components for de luxe model safety cabin..... 265</p> <p>Sound proofing material for de luxe model safety cabin..... 267</p> <p>Heater and attaching parts..... 269</p> <p>Piping for heater..... 271</p> <p>Heater..... 273</p> <p>Driver's seat..... 275</p> <p>.....</p> <p>Driver's seat bracket and seat belt.... 279</p> <p>Fender..... 281</p> <p>Wedge and attachment..... 283</p> <p>Tools..... 285</p> <p>Lettering..... 289</p> <p>Decals, german..... 291</p> <p>Decals, english, part I..... 293</p> <p>Decals, english, part II..... 295</p> <p>Decals, french..... 297</p> <p>Decals, italian..... 299</p> <p>Decals, spanish..... 301</p> <p>Decals, swedish, part I..... 303</p> <p>Decals, swedish, part II..... 305</p>		<p>4. <u>Châssis et carrosserie</u></p> <p>.....</p> <p>Bati, châssis avant, châssis arrière.... 237</p> <p>Capot..... 241</p> <p>Boîtier de radiateur..... 245</p> <p>Insonorisation..... 247</p> <p>Poste du conducteur et marchepieds..... 249</p> <p>Véhicule sans cabine..... 251</p> <p>Châssis pour cabine de sécurité de luxe. 253</p> <p>Toit F.O.P.S..... 255</p> <p>Toit, aéré..... 257</p> <p>Plate-forme et fenêtres pour cabine de sécurité..... 259</p> <p>Cabine, porte..... 261</p> <p>Fenêtre coulissante..... 263</p> <p>Pièces détachées pour cabine de sécurité de luxe..... 265</p> <p>Insonorisation pour cabine de sécurité de luxe..... 267</p> <p>Chauffage et pièces de fixation..... 269</p> <p>Tuyauterie pour chauffage..... 271</p> <p>Chauffage..... 273</p> <p>Siège du conducteur..... 275</p> <p>Siège du conducteur et ceinture de sécurité..... 279</p> <p>Aile..... 281</p> <p>Coin et fixation..... 283</p> <p>Outils..... 285</p> <p>Inscriptions..... 289</p> <p>Decalques, allemandes..... 291</p> <p>Decalques, anglais, partie I..... 293</p> <p>Decalques, anglais, partie II..... 295</p> <p>Decalques, francais..... 297</p> <p>Decalques, italien..... 299</p> <p>Decalques, espagnol..... 301</p> <p>Decalques, suédois, partie I..... 303</p> <p>Decalques, suédois, partie II..... 305</p>
<p>4. <u>Telaio e carrozzeria</u></p> <p>.....</p> <p>Telaio, telaio anteriore, telaio posteriore..... 237</p> <p>Cofano..... 241</p> <p>Corpo del radiatore..... 245</p> <p>Insonorizzazione..... 247</p> <p>Posto del conducente e scalata..... 249</p> <p>Veicolo senza cabina..... 251</p> <p>Telaio per cabina di sicurezza di lusso. 253</p> <p>Tetto F.O.P.S..... 255</p> <p>Tetto, aerato..... 257</p> <p>Pedana del conducente e finestrini per cabina di sicurezza..... 259</p> <p>Cabina, porta..... 261</p> <p>Finestrino scorrevole..... 263</p> <p>Componenti per cabina di sicurezza di lusso..... 265</p> <p>Isolante acustico per cabina di sicurezza di lusso..... 267</p> <p>Riscaldatore e pezzi di fissaggio..... 269</p> <p>Tubazioni per riscaldatore..... 271</p> <p>Riscaldatore..... 273</p> <p>Sedile del conducente..... 275</p> <p>Sedile del conducente e cintura di sicurezza..... 279</p> <p>Parafango..... 281</p> <p>Cuneo e fissaggio..... 283</p> <p>Attrezzatura..... 285</p> <p>Iscrizione..... 289</p> <p>Decalcomanie, tedesca..... 291</p> <p>Decalcomanie, inglese, parte I..... 293</p> <p>Decalcomanie, inglese, parte II..... 295</p> <p>Decalcomanie, francese..... 297</p> <p>Decalcomanie, italiano..... 299</p> <p>Decalcomanie, spagnolo..... 301</p> <p>Decalcomanie, svedese, parte I..... 303</p> <p>Decalcomanie, svedese, parte II..... 305</p>		<p>4. <u>Bastidor y carroceria</u></p> <p>.....</p> <p>Bastidor, bastidor delantero, bastidor posterior..... 237</p> <p>Capo..... 241</p> <p>Marco del radiador..... 245</p> <p>Insonorización..... 247</p> <p>Puesto del conductor y grados..... 249</p> <p>Vehículo sin cabina..... 251</p> <p>Bastidor para cabina de seguridad de lujo. 253</p> <p>Techo F.O.P.S..... 255</p> <p>Techo, aireado..... 257</p> <p>Puesto del conductor y ventanas para cabina de seguridad..... 259</p> <p>Cabina, puerta..... 261</p> <p>Ventana corrediza..... 263</p> <p>Piezas sueltas para cabina de seguridad de lujo..... 265</p> <p>Material antisonoro para cabina de seguridad de lujo..... 267</p> <p>Calorifero y piezas de fijaje..... 269</p> <p>Tuberías para calorifero..... 271</p> <p>Calorifero..... 273</p> <p>Asiento del conductor..... 275</p> <p>Asiento del conductor y correa de seguridad..... 279</p> <p>Guarda-barros..... 281</p> <p>Cuna y fijación..... 283</p> <p>Herramientas..... 285</p> <p>Inscripciones..... 289</p> <p>Calcomanías, alemán..... 291</p> <p>Calcomanías, ingles, parte I..... 293</p> <p>Calcomanías, ingles, parte II..... 295</p> <p>Calcomanías, frances..... 297</p> <p>Calcomanías, italiano..... 299</p> <p>Calcomanías, español..... 301</p> <p>Calcomanías, sueco, parte I..... 303</p> <p>Calcomanías, sueco, parte II..... 305</p>

Motor, Motoraufhängung  
 Engine, engine suspension  
 Moteur, support du moteur

D963 super  
 D963 TC turbo

9671

1+ 3095 235 M91	→ 10 680 001 (A) D963	1 Motor	Engine	Moteur
2 3095 235 T91		1 Motor	Engine	Moteur
2A+3095 290 M91	→ 10 700 001 (B) D963TC	1 Motor	Enginge	Moteur
3 2871 129 M91		1 Motorträger li.	Engine carrier l	Support moteur
4 2871 130 M91		1 Motorträger re.	Engine carrier r	Support moteur
5 1443 668 X1		7 Schraube	Screw	Vis
6 1443 792 X1		9 Federring	Lock washer	Rondelle frein
7 2873 509 M1		2 Gummimetall	Vibration mount	Silent bloc
8 1443 665 X1		2 Schraube	Screw	Vis
9 339 139 X1		6 Schraube	Screw	Vis
10 1443 792 X1		6 Federring	Lock washer	Rondelle frein
11 1443 770 X1		6 Scheibe	Disc	Disque
12 2872 281 M1		4 Gummimetall	Vibration mount	Silent bloc
13 2871 096 M1		2 Motorträger	Engine carrier	Support moteur
14 1443 670 X1		6 Schraube	Screw	Vis
15 1443 794 X1		6 Federring	Lock washer	Rondelle frein
16 339 139 X1		4 Schraube	Screw	Vis
17 1443 792 X1		4 Federring	Lock washer	Rondelle frein
18 1444 068 X1		2 Schraube	Screw	Vis
19 1443 794 X1		2 Federring	Lock washer	Rondelle frein
20 3002 058 X1		2 Scheibe	Disc	Disque

(A) Lieferumfang des Motors siehe Seite ) 5 → 39  
 Supply unit for engine see page )  
 Fourniture complete pour moteur voir page ) 51 → 53

(B) Zusätzlicher Lieferumfang des Motors, siehe Seite ) 7B, 39B → 39K  
 Additional supply for engine, see page )  
 Fourniture en supplément pour moteur, voir page ) 45B, 49B

Motor, Zylinderkopf  
 Engine, cylinder head  
 Moteur, culasse

D963 super  
 D963 TC turbo

9330

1	3090 236 M91	(A)	3 Zylinderkopf	Cylinder head	Culasse
2		1	3 Zylinderkopf	Cylinder head	Culasse
3	2867 115 M1	1	15 Verschlußdeckel	Cover	Couvercle
4	2867 117 M1	1	3 Verschlußdeckel	Cover	Couvercle
5	1444 859 X1	1	3 Verschlußdeckel	Cover	Couvercle
6	2870 997 M1	1	12 Ventilführung	Valve guide	Guide de soupape
7	2871 005 M1	1	6 Sitz, Auslaß	Seat, outlet	Siege, echappeme
8	3090 235 M1	1	6 Sitz, Einlaß	Seat, inlet	Siege, admission
9	3070 733 M1		3 Zyl.Kopfdichtung	Cyl.head gasket	Joint de culasse
10	2871 004 M1		6 Auslaßventil	Outlet valve	Soupape d'echapp
11	3090 234 M1		6 Einlaßventil	Inlet valve	Soupape d'admiss
12	2870 976 M1		24 Ventilkegelstück	Valve cone piece	Soupape, cone
13	2870 992 M1		12 Federteller	Spring seat	Cuvette de resso
14	2871 014 M1		12 Druckfeder	Pressure spring	Ressort
15	2995 026 X1		18 Stiftschraube	Stud	Goujon
16	2995 026 X1		12 Stiftschraube	Stud	Goujon
17	3070 691 M1		27 Schraube	Screw	Vis
18	2871 002 M1		27 Scheibe	Washer	Rondelle
19	2871 039 M1		3 Zyl.Kopfdeckel	Cyl. head cover	Couvre culasse
20	2871 040 M1		3 Dichtung	Gasket	Joint
21	339 761 X1		6 Schraube	Screw	Vis
22	1443 847 X1		6 Dichtring	Seal ring	Joint
23	2870 986 M1		3 Kipphebelachse	Rocker arm shaft	Axe, culbuteur
24	2870 987 M1		6 Verschlußkappe	Cap	Bouchon
25	2870 984 M1		6 Kipphebel, ausl.	Rocker, outlet	Culbuteur,echapp
26	2870 985 M1		6 Kipphebelblock	Rocker socket	Support
27	2870 983 M1		6 Kipphebel, einl.	Rocker, inlet	Culbuteur,admiss
28	2870 988 M1		3 Hülse	Sleeve	Douille
29	1444 018 X1		12 Schraube	Screw	Vis
30	390 734 X1		12 Scheibe	Washer	Rondelle
31	2865 157 M1		12 Stellschraube	Adjusting screw	Vis de reglage
32	391 712 X1		12 Mutter	Nut	Ecrou
33	3005 319 X1		12 Stiftschraube	Stud	Goujon

(A) Dichtungssatz, siehe Seite )  
 Seal kit, see page ) 13  
 Jeu de joints, voir page )

Motor, Motorschmierung  
 Engine, Engine lubrication  
 Moteur, Graissage

D963 super  
 D963 TC turbo

9331

1	2871 697 M91		1 Ölpumpe	Oil pump	Pompe a huile
1A	2871 697 T91		1 Ölpumpe	Oil pump	Pompe a huile
2	2871 680 M1	1	1 Gehäuse	Housing	Carter
3	2871 695 M91	1	2 Pumpenrad	Pump gear	Pompe engrenages
4	2871 696 M91	1	2 Pumpenrad	Pump gear	Pompe engrenages
5	2870 052 M1	1	2 Deckel	Cover	Couvercle
6	2871 688 M1	1	2 Antriebsrad	Drive gear	Engrenage de cde
7	1442 705 X1	1	12 Schraube	Screw	Vis
8	1443 789 X1	1	12 Federring	Lock washer	Rondelle frein
9	2870 043 M1	1	2 Stopfen	Plug	Bouchon
10	339 368 X1		3 Schraube	Screw	Vis
11	339 291 X1		1 Schraube	Screw	Vis
12	1443 789 X1		4 Federring	Lock washer	Rondelle frein
13	3076 907 M1		4 Scheibe	Washer	Rondelle
14	2962 467 M91		1 Anschlußgehäuse	Housing	Carter
15		14	1 Anschlußgehäuse	Housing	Carter
16	1443 919 X1	14	4 Gewindeeinsatz	Insert	Collerette
17	2870 049 M1		1 Dichtung	Gasket	Joint
18	1444 213 X1		3 Stiftschraube	Setscrew	Vis
19			nicht verwendet	not used	non utilise
20	1443 780 X1		3 Federscheibe	Washer	Rondelle
21	339 169 X1		3 Mutter	Nut	Ecrou
22	3086 028 M91		1 Saugrohr	Intake	Prise
23	1444 760 X1		2 Dichtung	Gasket	Joint
24	390 379 X1		2 Schraube	Screw	Vis
25	391 037 X1		9 Federring	Lock washer	Rondelle frein
26	2871 765 M91		1 Druckrohr	Pipe	Tube
27	3086 032 M91		1 Saugrohr	Intake	Prise
28	1444 761 X1		1 Dichtung	Gasket	Joint
29	339 761 X1		2 Schraube	Screw	Vis
30	2961 501 M1		2 Schelle	Clamp	Collier
31	339 124 X1		3 Schraube	Screw	Vis

Motor, Kühlwasserregulierung  
 Engine, Cooling system  
 Moteur, Systeme de refroidissement

D963 super  
 D963 TC super

7140

1	2871 586 M1		1	Thermost.Gehäuse	Housing	Carter
2	2871 591 M1		1	Thermostat	Thermostat	Thermostat
3	2871 589 M1		1	Dichtung	Gasket	Joint
4	2871 590 M1		1	Dichtung	Gasket	Joint
5	2871 587 M1		1	Deckel	Cover	Couvercle
6	1441 268 X1		3	Schraube	Screw	Vis
7	1440 998 X1		3	Federscheibe	Washer	Rondelle
8	2909 467 M1		1	Masseleitung	Earthing	Fil de masse
9	1443 888 X1	(A) 55 mm	1	Schlauch	Hose	Durite
10	1444 841 X1		8	Schelle	Clamp	Collier
11	2871 588 M1		1	Krümmer	Manifold	Collecteur
12	1443 852 X1		4	Dichtung	Gasket	Joint
13	339 168 X1		2	Schraube	Screw	Vis
14	1443 789 X1		8	Federring	Lock washer	Rondelle frein
15	1443 869 X1	(A) 65 mm	3	Schlauch	Hose	Durite
16	2871 592 M1		1	Wasserrohr	Pipe	Tube
17	2872 571 M1		1	Wasserrohr	Pipe	Tube
18	390 991 X1		6	Schraube	Screw	Vis
19	1443 917 X1		1	Thermogeber	Transmitter	Transmetteur
20	390 839 X1		1	Dichtring	Seal	Bague etancheite
21	2871 593 M1		1	Wasserrohr	Pipe	Tube
22	3002 098 X1	(B)	1	Verschl.Stopfen	Plug	Bouchon
23	339 526 X1	(B)	1	Dichtring	Seal	Bague etancheite

(A) Meterware  
 goods sold by the meter } 1443 912 X1  
 à vendre par metre }

(B) für Fahrzeuge ohne Heizung  
 for vehicles without heating  
 pour vehicules sans installation de chauffage

MOTOR, LUFTSAUGANLAGE  
ENGINE, AIR INTAKE SYSTEM  
MOTEUR, SYSTEME D'ADMISSION D'AIR

D 963 TC TURBO

9674

- 1+ 2872 893 M91      39D
- 2+ 391 561 X1
- 3+ 2872 847 M1
- 4+ 2999 785 M1
- 4A+ 391 363 X1
  
- 5+ 2872 851 M1
- 6+ 3095 285 M91
- 7+ 1443 789 X1
- 8+ 390 991 X1
- 9+ 2945 595 M1
  
- 10+ 1444 846 X1
- 11+ 3095 287 M91
- 12+ 1444 740 X1
- 13+ 391 313 X1
- 13A+2945 117 M1
  
- 14+ 2872 855 M1
- 15+ 3095 286 M91
- 16+ 2999 668 M1
- 17+ 1440 997 X1
- 18+ 2997 889 M91
  
- 19+ 2997 895 M1
- 20+ 1444 641 X1
- 21+ 1443 793 X1
- 22+ 339 160 X1
- 23+ 3095 265 M91
  
- 24+ 1443 897 X1
- 25+ 1444 842 X1
- 26+
- 27+ 3007 274 X1
- 28+ 339 299 X1
  
- 29+ 1443 792 X1
- 30+ 3093 494 M1
- 31+ 2871 970 M1
- 32+ 2873 061 M91
- 33+ 1443 887 X1      (A)
  
- 34+ 1444 844 X1
- 35+ 2871 971 M1
- 36+ 1443 790 X1
- 37+ 339 402 X1
- 38+ 1444 260 X1      (B)
  
- 39+ 1444 747 X1      (B)

- 1 ABGASTURBOLADER. TURBOCHARGER.... TURBOCHARGEUR...
- 4 SCHRAUBE..... SCREW..... VIS.....
- 1 DICHTUNG..... GASKET..... JOINT.....
- 4 SICHERUNGSMUTTER NUT..... ECROU.....
- 4 FEDERSCHEIBE.... SPRING PLATE.... RONDELLE RESSORT
  
- 1 DICHTUNG..... GASKET..... JOINT.....
- 1 ÖLDRÜCKLEITUNG. OIL LINE..... TUBE D'HUILE....
- 4 FEDERRING..... LOCK WASHER.... RONDELLE FREIN..
- 4 SCHRAUBE..... SCREW..... VIS.....
- 1 GUMMIMUFFE..... THIMBLE..... COSSE.....
  
- 2 SCHELLE..... CLIP..... CIRCLIP.....
- 1 ROHR..... TUBE.....
- 1 HOHLSCHRAUBE.... BANJO BOLT..... VIS BANJO.....
- 3 DICHRING..... SEAL..... BAGUE ETANCHEITE
- 1 SCHEIBE..... WASHER..... RONDELLE.....
  
- 1 DICHTUNG..... GASKET..... JOINT.....
- 1 ÖLDRÜCKLEITUNG.. OIL LINE..... TUBE D'HUILE....
- 1 HOHLSCHRAUBE.... BANJO BOLT..... VIS BANJO.....
- 2 DICHRING..... SEAL..... BAGUE ETANCHEITE
- 1 HALTER..... HOLDER..... PORTE BALAI.....
  
- 1 ZWISCHENBLECH... PLATE..... ENTRETOISE.....
- 1 BEFESTIG.SCHELLE CLIP..... CIRCLIP.....
- 2 FEDERRING..... LOCK WASHER.... RONDELLE FREIN..
- 2 SCHRAUBE..... SCREW..... VIS.....
- 1 ROHRKRÜMMER.... MANIFOLD..... COLLECTEUR.....
  
- 1 SCHLAUCH..... HOSE..... DURIT EAU.....
- 2 SCHELLE..... CLIP..... CIRCLIP.....
- NICHT VERWENDET. NOT USED..... NON UTILISE.....
- 1 DICHTUNG..... GASKET..... JOINT.....
- 2 SCHRAUBE..... SCREW..... VIS.....
  
- 2 FEDERRING..... LOCK WASHER.... RONDELLE FREIN..
- 1 ANSAUGKRÜMMER... MANIFOLD..... COLLECTEUR.....
- 1 ANSAUGKRÜMMER... MANIFOLD..... COLLECTEUR.....
- 1 ANSAUGKRÜMMER... MANIFOLD..... COLLECTEUR.....
- 2 SCHLAUCH..... HOSE..... DURIT EAU.....
  
- 4 SCHELLE..... CLIP..... CIRCLIP.....
- 6 DICHTUNG..... GASKET..... JOINT.....
- 18 FEDERRING..... LOCK WASHER.... RONDELLE FREIN..
- 18 MUTTER..... NUT..... ECROU.....
- 1 STOPFEN..... PLUG..... BOUCHON.....
  
- 1 DICHRING..... SEAL..... BAGUE ETANCHEITE

(A) METERWARE  
GOODS SOLD BY THE METER } 3002 527 X1  
A VENDRE PAR METRE }

(B) OHNE FLAMM-STARTANLAGE  
WITHOUT FLAME STARTING SYSTEM  
SANS SYSTEME DE DEMARRAGE A FLAMMES

Flammstartanlage  
 Flame starter system  
 Installation de demarrage à flammes

D963 super  
 D963 TC turbo

6926

1	2970 381 M2		1	Glühstiftkerze	Glow plug	Bouchon chauff.
2	1444 747 X1		1	Dichtring	Seal	Bague etancheite
3	3093 408 M91		1	Rohr	Pipe	Tube
4	2872 986 M2		1	Magnetventil	Valve	Soupape
5	2999 617 M1		2	Hohlschraube	Banjo bolt	Vis banjo
6	1440 993 X1		4	Dichtring	Seal	Bague etancheite
7	2872 982 M1		1	Halter	Bracket	Support
8	391 074 X1		2	Schraube	Screw	Vis
9	1443 791 X1		2	Federring	Lock washer	Rondelle frein
10	1440 209 X1		3	Mutter	Nut	Ecrou
11	3093 410 M91		1	Kraftstoffrohr	Pipe	Tube
12	339 282 X1		1	Schraube	Screw	Vis
13	1443 790 X1		1	Federring	Lock washer	Rondelle frein
14	2872 519 M1	(A) 390 mm	1	Schlauch	Hose	Durite
15	1444 837 X1		2	Schelle	Clamp	Attache
16	2871 534 M91		1	Ringstück	Banjo fitting	Raccord banjo
17	1444 759 X1		1	Hohlschraube	Banjo bolt	Vis banjo
18	1440 012 X1		3	Dichtring	Seal	Bague etancheite

(A) Meterware  
 goods sold by the meter } 1444 632 X1  
 à vendre par metre }

AUSPUFF EJEKTORANLAGE, SCHALLGEDÄMPFT  
EXHAUST SYSTEM EJECTOR SYSTEM, SOUNDPROOF  
ECHAPPEMENT EJECTEUR SYSTEME, INSONORISE

D963 SUPER

49

8973

1	2872 442 M1	2	AUSPUFFTRÄGER...	EXHAUST CARRIER.	PORTE BALAI.....
2	2872 443 M1	1	AUSPUFFTRÄGER...	EXHAUST CARRIER.	PORTE BALAI.....
3	2872 463 M1	6	DICHTUNG.....	GASKET.....	JOINT.....
4	2999 785 M1	18	SICHERUNGSMUTTER	SAFETY NUT.....	ECROU DE SECURIT
5	1443 779 X1	18	FEDERSCHEIBE....	SPRING PLATE....	RONDELLE RESSORT
6	2872 444 M1	2	DICHTUNG.....	GASKET.....	JOINT.....
7	2872 451 M1	1	RINGTRÄGER.....	DISC CARRIER....	PORTE DISQUE....
8	2872 458 M1	4	LAMELLENRING....	DISC.....	DISQUE.....
9	2977 847 M91	1	AUSPUFFTOPF....	MUFFLER.....	POT ECHAPPEMENT.
10	1443 735 X1	6	STIFTSCHRAUBE...	STUD SCREW.....	GOUJON.....
11	2976 411 M91	1	EJEKTOR.....	EJECTOR.....	EJECTEUR.....
12	3092 320 M91	1	EJEKTORDÄMPFER..	EJECTOR DAMPER..	EJECTEUR ARMORTI
13	3000 537 X1	1	SHELLE.....	CLIP.....	CIRCLIP.....
14	339 451 X1	1	SCHRAUBE.....	SCREW.....	VIS.....
15	339 402 X1	1	MUTTER.....	NUT.....	ECROU.....
16	1443 790 X1	1	FEDERRING.....	LOCK WASHER.....	RONDELLE FREIN..
17	3071 318 M91	1	ANSCHLUSSSTÖCK..	ADAPTOR.....	ADAPTEUR.....
18	3071 321 M91	2	DICHTUNG.....	GASKET.....	JOINT.....
19	3071 323 M1	1	DICHTUNG.....	GASKET.....	JOINT.....
20	2977 842 M1	1	DICHTUNG.....	GASKET.....	JOINT.....
21	3071 322 M1	1	DICHTUNG.....	GASKET.....	JOINT.....
22	391 176 X1	4	SCHRAUBE.....	SCREW.....	VIS.....
23	2872 485 M1	4	DISTANZSCHEIBE..	SPACER SHIM.....	ENTRETOISE.....
24	390 972 X1	12	SCHEIBE.....	DISC.....	DISQUE.....
25	1444 329 X1	8	MUTTER.....	NUT.....	ECROU.....
26	339 291 X1	4	SCHRAUBE.....	SCREW.....	VIS.....
27	2872 484 M1	4	DISTANZSCHEIBE..	SPACER SCREW....	ENTRETOISE.....
28	2903 081 M1	4	DRUCKFEDER.....	SPRING.....	RESSORT.....
29	391 039 X1	4	SCHEIBE.....	WASHER.....	RONDELLE.....

Lichtmaschine und Anlasser  
Alternator and starter  
Alternateur et démarreur

D963 super

D963 TC turbo

9333

- (A) für Lichtmaschine )  
for alternator ) 35 Ah  
pour alternateur )
- (B) gehört nicht zum Lieferumfang des Motors  
does not belong to the supply unit of the engine  
non compris dans le sous-ensemble moteur

HYDRAULIKÖLKOHLUNG - LEITUNGEN  
 HYDRAULIC OIL COOLING - PIPING  
 REFROIDISSEMENT DE L'HUILE HYDRAULIQUE - TUYAUTERIE

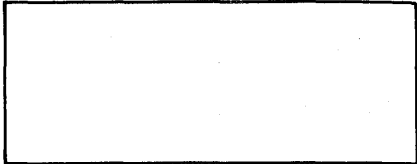


9538

1	1442 059 X91		2	VERSCHRAUBUNG...	UNION.....	RACCORD.....
2	1444 691 X1	1	2	SCHNEIDRING.....	OLIVE.....	OLIVE.....
3	1442 060 X1	1	2	OBERWURFMUTTER..	UNION NUT.....	ECROU RACCORD...
4	2979 603 M91		1	ROHR.....	TUBE.....	TUBE.....
5	2979 604 M91		1	ROHR.....	TUBE.....	TUBE.....
6	2999 235 M1		2	SCHLAUCH.....	HOSE.....	DURITE.....
7	1444 691 X1		5	SCHNEIDRING.....	OLIVE.....	OLIVE.....
8	1442 060 X1		5	OBERWURFMUTTER..	BOX NUT.....	ECROU CAGE.....
9	2950 955 M1		1	ROHR.....	TUBE.....	TUBE.....
10	2979 625 M91	(A)	1	ROHR.....	TUBE.....	TUBE.....
11	2891 965 M1		1	SCHELLE.....	CLIP.....	CIRCLIP.....
12	390 398 X1		1	SCHRAUBE.....	SCREW.....	VIS.....
13	390 734 X1		1	SCHEIBE.....	DISC.....	DISQUE.....
14	1443 790 X1		2	FEDERRING.....	LOCK WASHER.....	RONDELLE FREIN..
15	339 402 X1		2	MUTTER.....	NUT.....	ECROU.....
16	2950 961 M1		1	HALTER.....	HOLDER.....	PORTE BALAI.....
17	1444 331 X1		2	MUTTER.....	NUT.....	ECROU.....
18	2979 628 M91		1	VENTIL.....	VALVE.....	SOUPAPE.....
19		18	1	GEHAUSE.....	HOUSING.....	CARTER.....
20	2947 121 M1	18	1	KOLBEN.....	PISTON.....	PISTON.....
21	2951 897 M1	18	1	DRUCKFEDER.....	SPRING.....	RESSORT.....
22	1444 753 X1	18	1	DICHTRING.....	SEAL.....	BAGUE ETANCHEITE
23	1443 746 X1	18	1	VERSCHL. SCHRAUBE	PLUG.....	BOUCHON.....
24	1443 743 X1	18	1	VERSCHL. SCHRAUBE	PLUG.....	BOUCHON.....
25	1444 847 X1		2	O-RING.....	O-RING.....	JOINT TORIQUE...
26	1444 189 X1		3	ZYLINDERSCHRAUBE	SCREW.....	VIS.....
27	391 241 X1		3	FEDERRING.....	LOCK WASHER.....	RONDELLE FREIN..
28	2891 965 M1		2	SCHELLE.....	CLIP.....	CIRCLIP.....
29	390 398 X1		1	SCHRAUBE.....	SCREW.....	VIS.....
30	1443 790 X1		1	FEDERRING.....	LOCK WASHER.....	RONDELLE FREIN..
31	339 402 X1		1	MUTTER.....	NUT.....	ECROU.....

(A) BEFESTIGUNGSTEILE, SIEHE SEITE )  
 ATTACHING PARTS, SEE PAGE ) 179 Pos. 18, 19  
 PIECES DE FIXATION, VOIR PAGE )

MOTORREGULIERUNG  
ENGINE CONTROLS  
COMMANDES DU MOTEUR



9336

1	2945	391	M92		1	PEDAL.....	PEDAL.....	PEDALE.....
2	339	560	X1		2	SCHRAUBE.....	SCREW.....	VIS.....
3	1443	791	X1		2	FEDERRING.....	LOCK WASHER.....	RONDELLE FREIN..
4	2951	208	M91		1	STANGE.....	ROD.....	TRINGLE.....
5	2951	187	M1		1	RASTE.....	NUTCHED PLATE...	PLAQUE DENTEE...
6	1440	208	X1		2	MUTTER.....	NUT.....	ECROU.....
7	1443	818	X1		1	KUGELPFANNE.....	BALL SOCKET.....	SIEGE DE BILLE..
8	2951	197	M1		1	ANSCHLAG.....	STOP.....	ARRET.....
9	390	398	X1		1	SCHRAUBE.....	SCREW.....	VIS.....
10	1444	320	X1		1	MUTTER.....	NUT.....	ECROU.....
11	1444	076	X1		1	SCHRAUBE.....	SCREW.....	VIS.....
12	390	734	X1		1	SCHEIBE.....	DISC.....	DISQUE.....
13	2951	203	M91		1	SPERRHEBEL.....	PAWL.....	LINGUET.....
14	2951	184	M1		1	FEDER.....	SPRING.....	RESSORT.....
15	1440	249	X1		1	MUTTER.....	NUT.....	ECROU.....
16	2951	201	M91		1	UMLENKHEBEL.....	LEVER.....	LEVIER.....
17				16	➡	2951	201	M91
18	1443	817	X1	16		1	UMLENKHEBEL.....	LEVER.....
19	2945	362	M1	16		1	KUGELZAPPEN.....	PIVOT.....
20	1443	771	X1			1	LAGERBUCHSE.....	BUSH.....
						1	SCHEIBE.....	DISC.....
21	391	405	X1		1	SPLINT.....	COTTER.....	BICONE.....
22	2977	235	M91		1	GASZUG.....	ROPE.....	CORDE.....
23				22	➡	2977	235	M91
24	1444	492	X1	22		1	GASZUG.....	ROPE.....
25	1443	815	X1	22		2	BOLZEN.....	PIN.....
						2	GABELKOPF.....	FORK HEAD.....
26	339	030	X1	22		2	MUTTER.....	NUT.....
27	339	186	X1	22		4	MUTTER.....	NUT.....
28	1444	659	X1			1	SCHELLE.....	CLIP.....
29	2951	206	M91			1	WIDERLAGER.....	ABOTMENT.....
30	2999	878	M1			1	HALTEBAND.....	BAND.....
31	3090	309	M91		1	HEBEL.....	LEVER.....	LEVIER.....
32	339	662	X1		1	HOLSE.....	SLEEVE.....	MANCHON.....
33	3090	310	M1		1	WELLE.....	SHAFT.....	ARBRE.....
34	2951	205	M91		1	LAGERBOGEL.....	BEARING.....	COUSSINET.....
35				34	➡	2951	205	M91
36	2999	866	M1	34		2	BUCHSE.....	BUSH.....
37	1443	790	X1		2	FEDERRING.....	LOCK WASHER.....	RONDELLE FREIN..
38	1441	512	X1		2	SCHRAUBE.....	SCREW.....	VIS.....
39	339	662	X1		1	HOLSE.....	SLEEVE.....	MANCHON.....
40	2951	199	M91		1	HEBEL.....	LEVER.....	LEVIER.....
41				40	➡	2951	199	M91
42	339	976	X1	40		1	HEBEL.....	LEVER.....
43	1444	502	X1		1	KUGELZAPPEN.....	BALL PIVOT.....	PIVOT A BILLE...
44	339	030	X1		2	KUGELPFANNE.....	BALL SOCKET.....	SIEGE DE BILLE..
45	2951	180	M1		2	MUTTER.....	NUT.....	ECROU.....
					1	STANGE.....	ROD.....	TRINGLE.....
46	2963	654	M1		1	FEDER.....	SPRING.....	RESSORT.....
47	2951	174	M1		1	STANGE.....	ROD.....	TRINGLE.....
48	339	030	X1		1	MUTTER.....	NUT.....	ECROU.....
49	1443	815	M1		1	GABELKOPF.....	FORK HEAD.....	TETE DE FOURCHET
50	1444	492	X1		1	BOLZEN.....	PIN.....	GOUPILLE.....

ELEKTRISCHE AUSRÜSTUNG, HINTERWAGEN  
ELECTRIC EQUIPMENT, VEHICLE REAR PART  
EQUIPEMENTS ELECTRIQUES, PARTIE ARRIERE DU VEHICULE

9496

1	2942 108 M91	☞ 87	2	SCHEINWERFER....	LAMP.....	PHARE.....
2	1443 697 X1		2	GLÖHLAMPE.....	BULB.....	AMPOULE.....
3	3096 304 M91		2	HALTETEIL.....	HOLDER.....	PORTE BALAI....
4	1443 821 X1		2	STECKER.....	ELECTRICAL PLUG.	PRISE ELECTRIQUE
5	2999 900 M1		3	TÖLLE.....	SPOUT.....	GOULOTTE.....
6-8				NICHT VERWENDET.	NOT USED.....	NON UTILISE.....
9	3096 300 M91		2	HECKLEUCHE.....	LIGHT.....	FEU ARRIERE.....
10		9 ☞ 3096 300 M91	2	HECKLEUCHE.....	LIGHT.....	FEU ARRIERE.....
11	3228 178 M1	9	2	GLAS.....	GLASS.....	VERRE.....
12	1444 003 X1		4	GLÖHLAMPE.....	BULB.....	AMPOULE.....
13	1444 001 X1		2	GLÖHLAMPE.....	BULB.....	AMPOULE.....
14	339 563 X1		4	SCHRAUBE.....	SCREW.....	VIS.....
15	392 290 X1		4	MUTTER.....	NUT.....	ECROU.....
16	1443 793 X1		4	FEDERRING.....	LOCK WASHER....	RONDELLE FREIN..
17	2945 681 M1		2	REFLEKTOR.....	REFLECTOR.....	REFLECTEUR.....
18	390 971 X1		4	SCHRAUBE.....	SCREW.....	VIS.....
19	1443 791 X1		4	FEDERRING.....	LOCK WASHER....	RONDELLE FREIN..
20	339 030 X1		4	MUTTER.....	NUT.....	ECROU.....
21	2951 328 M1		2	SCHRAUBE.....	SCREW.....	VIS.....
22	2951 337 M1		1	KABELBAUM LINKS.	HARNESS L-H.....	FAISCEAU GAUCHE.
23	2951 336 M1		1	KABELBAUM RECHTS	HARNESS R-H.....	FAISCEAU DROITE.
24	3079 394 M1		2	REFLEKTOR.....	REFLECTOR.....	REFLECTEUR.....
25	1443 793 X1		4	FEDERRING.....	LOCK WASHER....	RONDELLE FREIN..
26	1444 155 X1		4	SCHRAUBE.....	SCREW.....	VIS.....
27				NICHT VERWENDET.	NOT USED.....	NON UTILISE.....
28				NICHT VERWENDET.	NOT USED.....	NON UTILISE.....
29	3086 298 M91		2	KENNZ.-LEUCHE..	LIGHT.....	FEU.....
30	1444 204 X1		4	SCHRAUBE.....	SCREW.....	VIS.....
31	1443 798 X1		4	FEDERRING.....	LOCK WASHER....	RONDELLE FREIN..
32	392 289 X1		4	MUTTER.....	NUT.....	ECROU.....
33	1444 001 X1		2	GLÖHLAMPE.....	BULB.....	AMPOULE.....
34	2980 914 M1		6	RÜCKSTRAHLER....	CATADIOPTRE....	CATADIOPTRE....
35	2980 913 M91		2	HALTER.....	BRACKET.....	SUPPORT.....
36	3007 935 X1		6	SCHRAUBE.....	SCREW.....	VIS.....
37	2942 109 M91	☞ 87	1	SCHEINWERFER LI.	LAMP L-H.....	PHARE GAUCHE....
		(A)				
38	2942 110 M91	☞ 87	1	SCHEINWERFER RE.	LAMP R-H.....	PHARE DROITE....
		(A)				
39	2982 120 M1		2	KABEL.....	CABLE.....	CABLE.....
40	2877 394 M1		2	KABELVERBINDER..	CONNECTION.....	CONNECTION.....
41	1444 012 X1		2	STECKHULSE.....	SLEEVE.....	MANCHON.....

(A) FOR SCHALLISOLIERTE MASCHINE  
FOR SOUND PROOF MACHINE  
POUR MACHINE INSONORISEE

HUBABSTELLUNG  
LIFT LIMITER  
LIMITEUR DE LEVAGE

6771

1 2951 390 M91  
1A 2904 908 M91 1  
2 1444 012 X1 1  
3 3002 783 X1 1  
4 2998 775 M1 1  
  
5 2904 719 M1  
6 3004 585 X1  
7 3005 964 X1  
8 3002 148 X1  
9 392 289 X1  
  
10 2947 357 M1  
11 2950 045 M91  
12 1444 139 X1  
13 339 721 X1  
14 390 469 X1  
  
15 1443 793 X1  
16 392 290 X1

1 MAGNETSCHALTER.. SOLENOID SWITCH. SOLENOIDE.....  
1 MAGNETSCHALTER.. SOLENOID SWITCH. SOLENOIDE.....  
1 STECKER..... ELECTRICAL PLUG. PRISE ELECTRIQUE  
1 HOLSE..... SLEEVE..... MANCHON.....  
1 STECKER..... ELECTRICAL PLUG. PRISE ELECTRIQUE  
  
1 MAGNET..... MAGNET..... AIMANT.....  
4 SCHRAUBE..... SCREW..... VIS.....  
4 SCHEIBE..... DISC..... DISQUE.....  
4 FEDERRING..... LOCK WASHER..... RONDELLE FREIN..  
4 MUTTER..... NUT..... ECROU.....  
  
1 WINKEL..... ANGLE..... EQUERRE.....  
1 HALTETEIL..... HOLDER..... PORTE BALAI.....  
2 SCHRAUBE..... SCREW..... VIS.....  
2 SCHRAUBE..... SCREW..... VIS.....  
2 SCHEIBE..... DISC..... DISQUE.....  
  
2 FEDERRING..... LOCK WASHER..... RONDELLE FREIN..  
2 MUTTER..... NUT..... ECROU.....

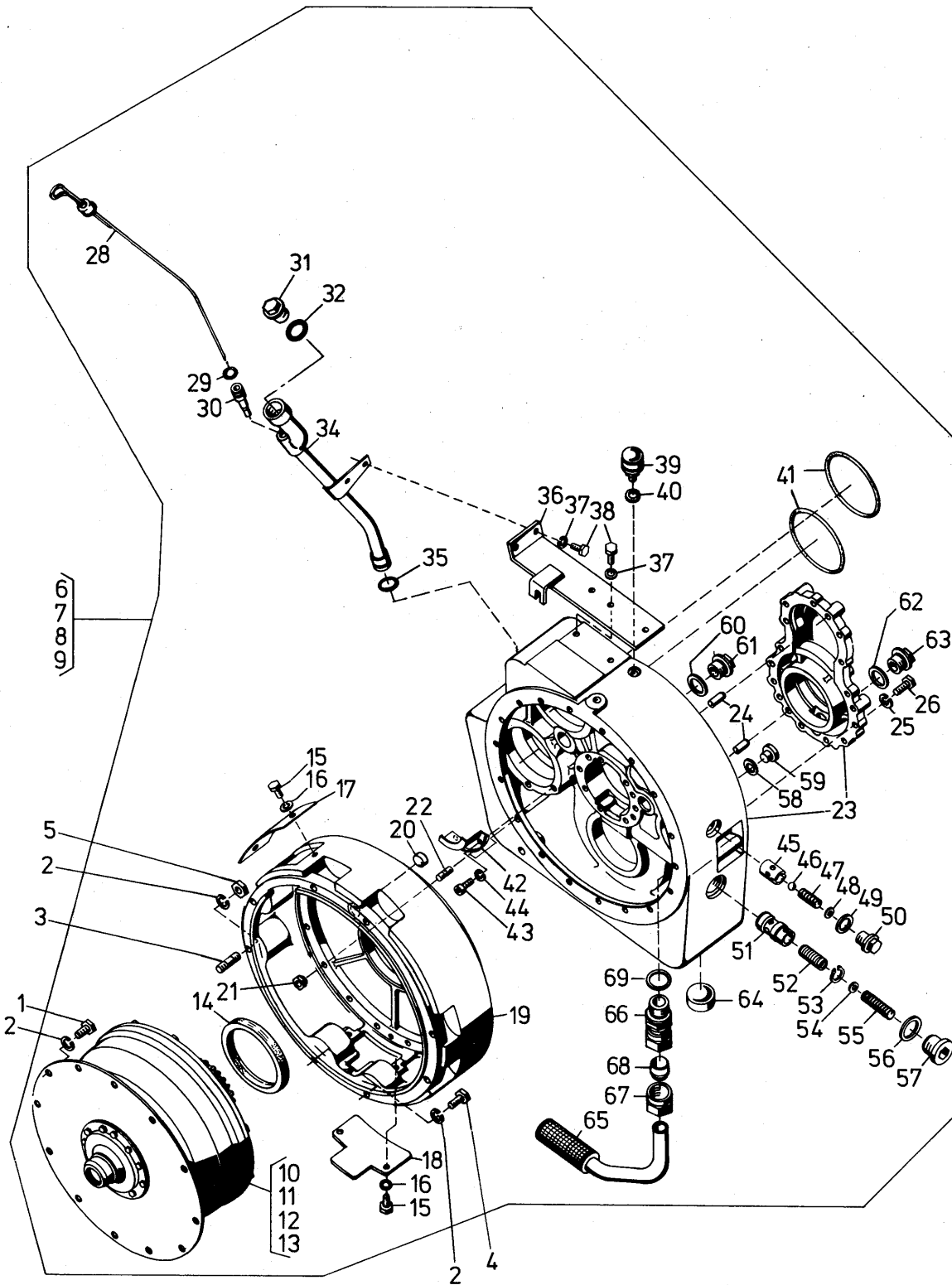
9320

1	3093 941 M1		1 Halter	Bracket	Support
2	3078 039 M91		1 Wischermotor	Wiper motor	Moteur
3	390 379 X1		2 Schraube	Bolt	Vis
4	1444 329 X1		4 Mutter	Nut	Ecrou
5	3005 086 X1		2 Schraube	Bolt	Vis
6	3000 387 X1		3 Schraube	Bolt	Vis
7	3093 950 M91		1 Motorkurbel	Crank	Manivelle
8	1444 325 X1		1 Mutter	Nut	Ecrou
9	3093 940 M91		1 Gelenkstange li	Rod l-h	Tige gauche
10	3093 949 M91		1 Gelenkstange re	Rod r-h	Tige droite
11	3085 100 M91		2 Wischerlager	Bearing	Roulement
12	2976 993 M1		2 Lederscheibe	Leather shim	Rondelle en cuir
13	3089 117 M1		2 Scheibe	Shim	Rondelle
14	2976 989 M1		2 Mutter	Nut	Ecrou
15	3089 116 M1		2 Schutzkappe	Cap	Chapeau
16	3093 982 M91		2 Wischerarm	Wiper arm	Bras d'essuie-gl
17	2961 843 M91		2 Wischerblatt	Wiper blade	Balai d'essuie-g
18	1444 329 X1		2 Mutter	Nut	Ecrou
19	3095 199 M91	→ 3777 22 660	1 Kabelbaum	Harness	Faisceau
20	2980 998 M91	→ 3777 22 661	1 Kabelbaum	Harness	Faisceau
21	3097 091 M1		1 Schelle	Clip	Collier
22	2877 417 M91		2 Kabelverbinder	Connection	Connexion
23	2945 675 M1		2 Kabel	Cable	Cable

112

WANDLERGETRIEBE  
CONVERTER TRANSMISSION  
TRANSMISSION DU CONVERTISSEUR

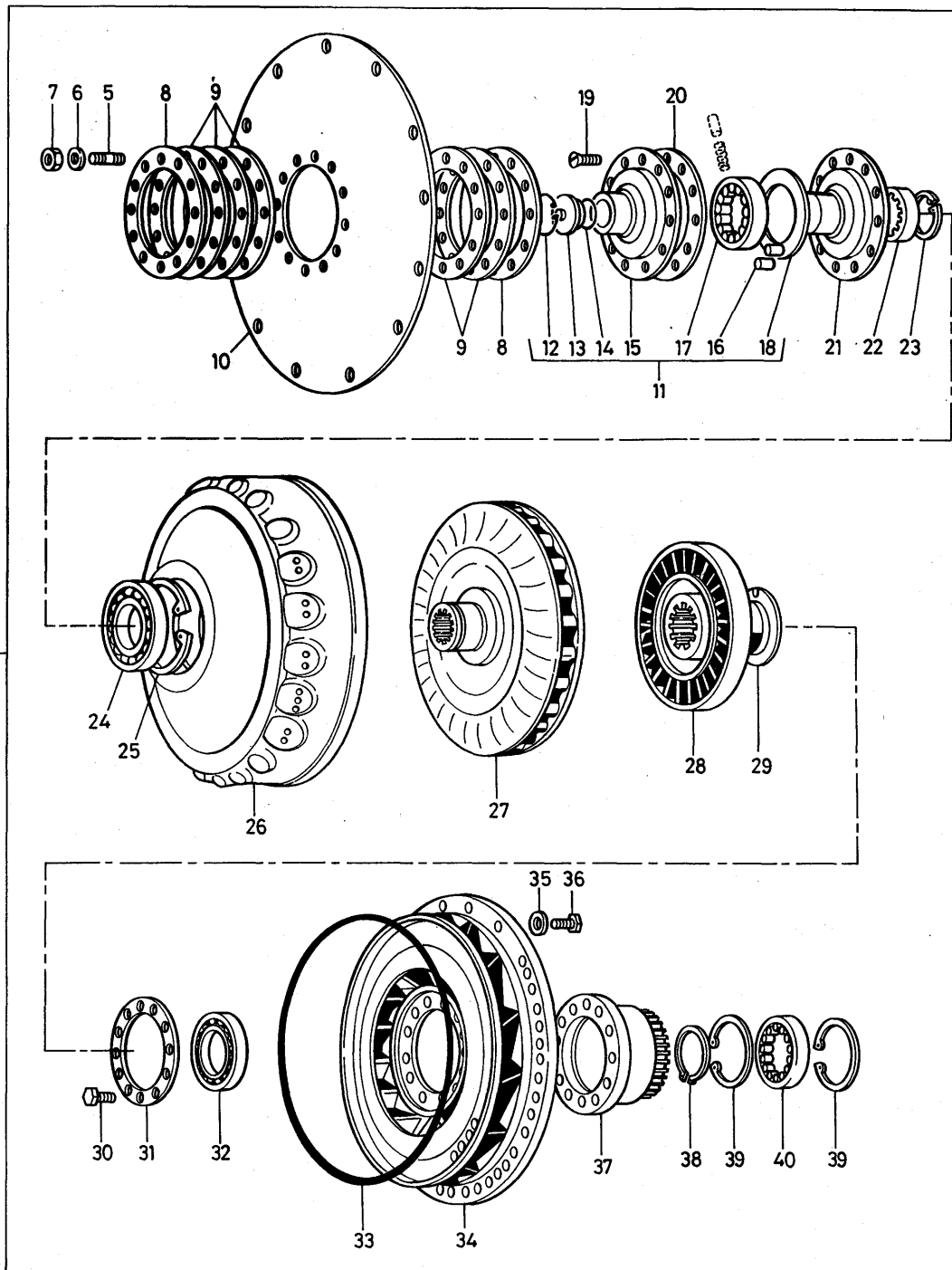
9341



122.

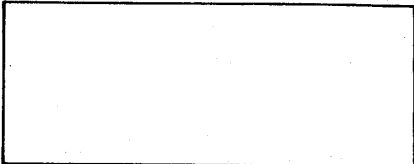
Drehmomentwandler  
Torque converter  
Convertisseur de couple

9532

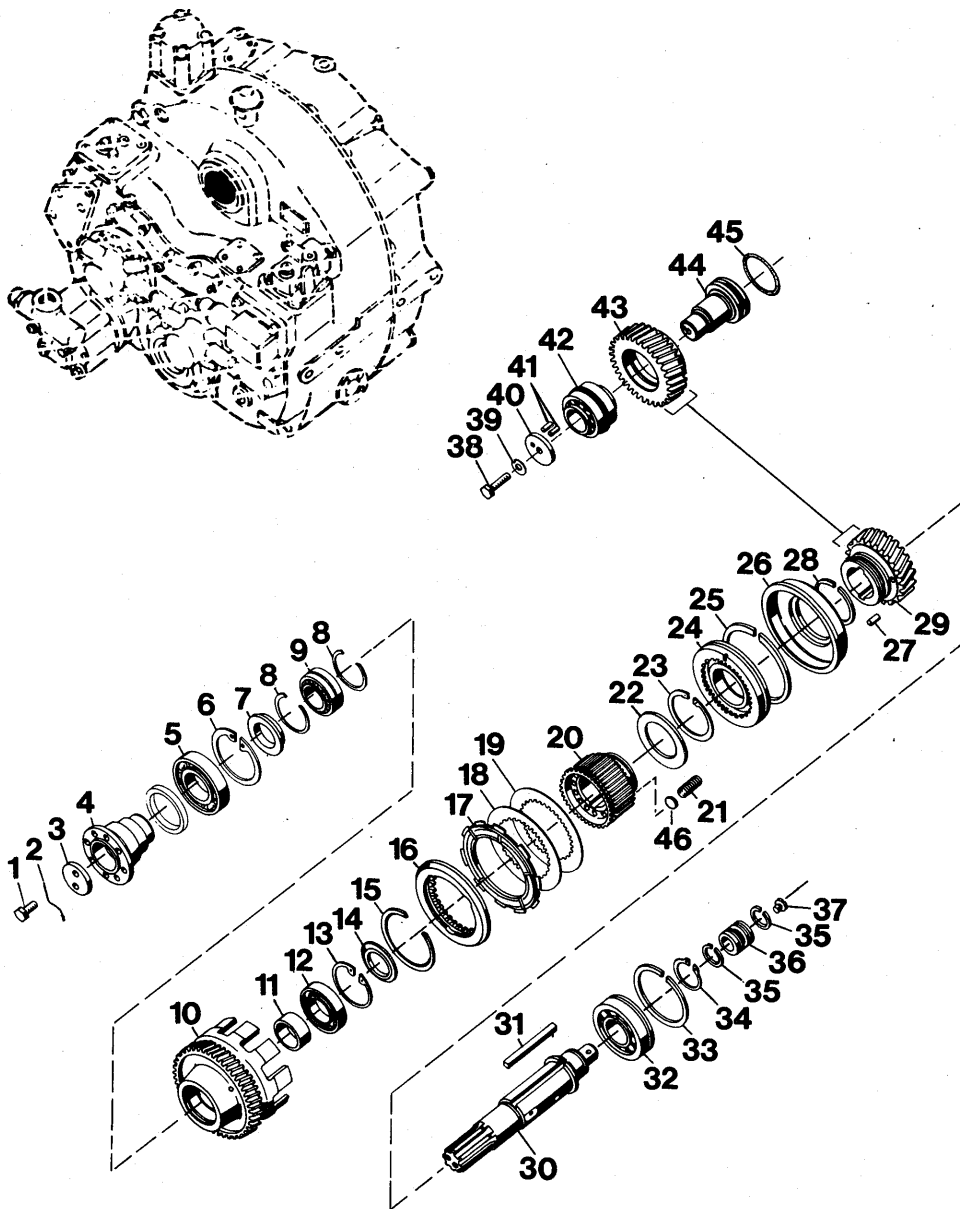


132

LASTSCHALTGETRIEBE  
POWERSHIFT TRANSMISSION  
BOITE DE VITESSES POWERSHIFT



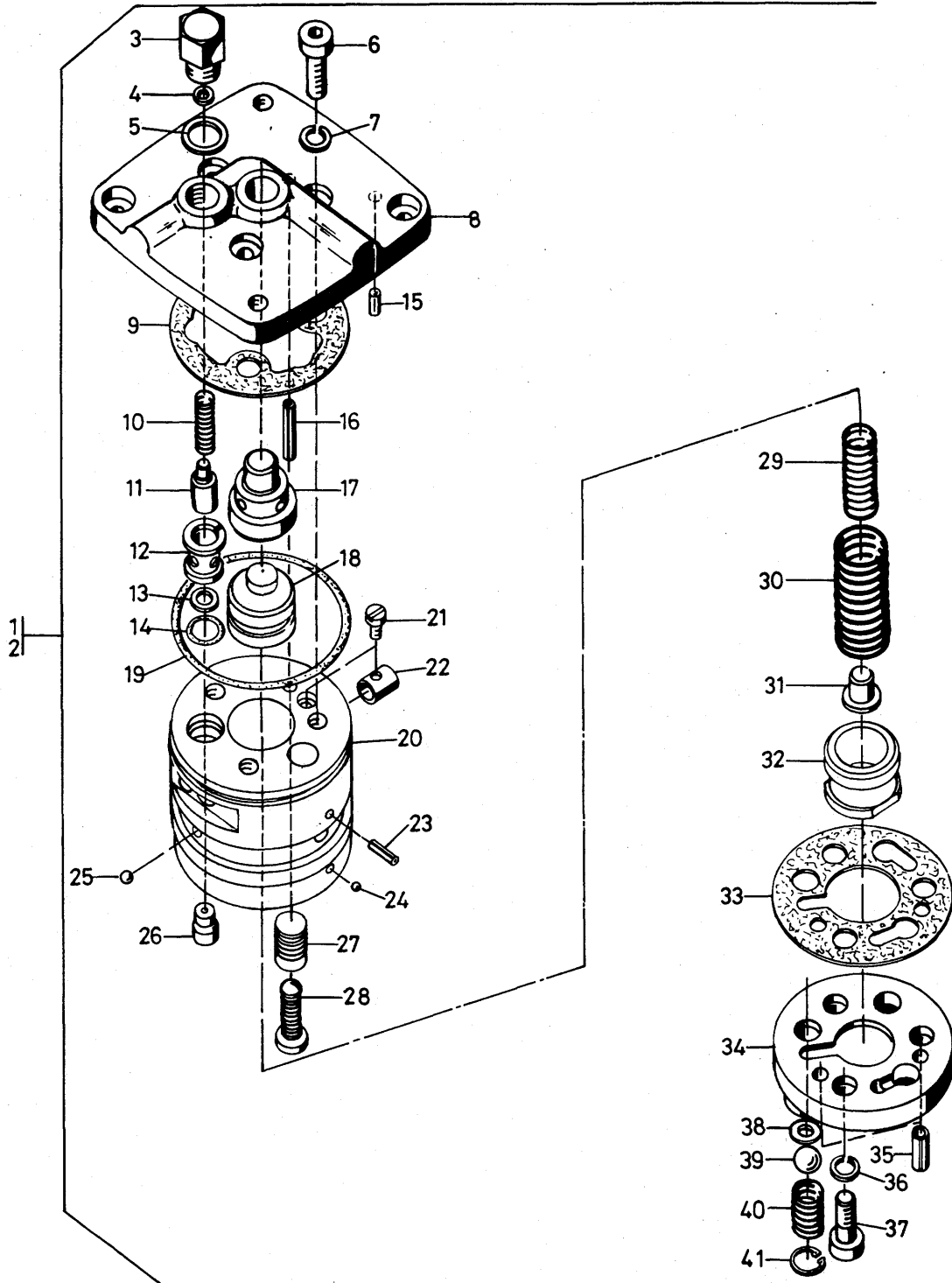
6241



142

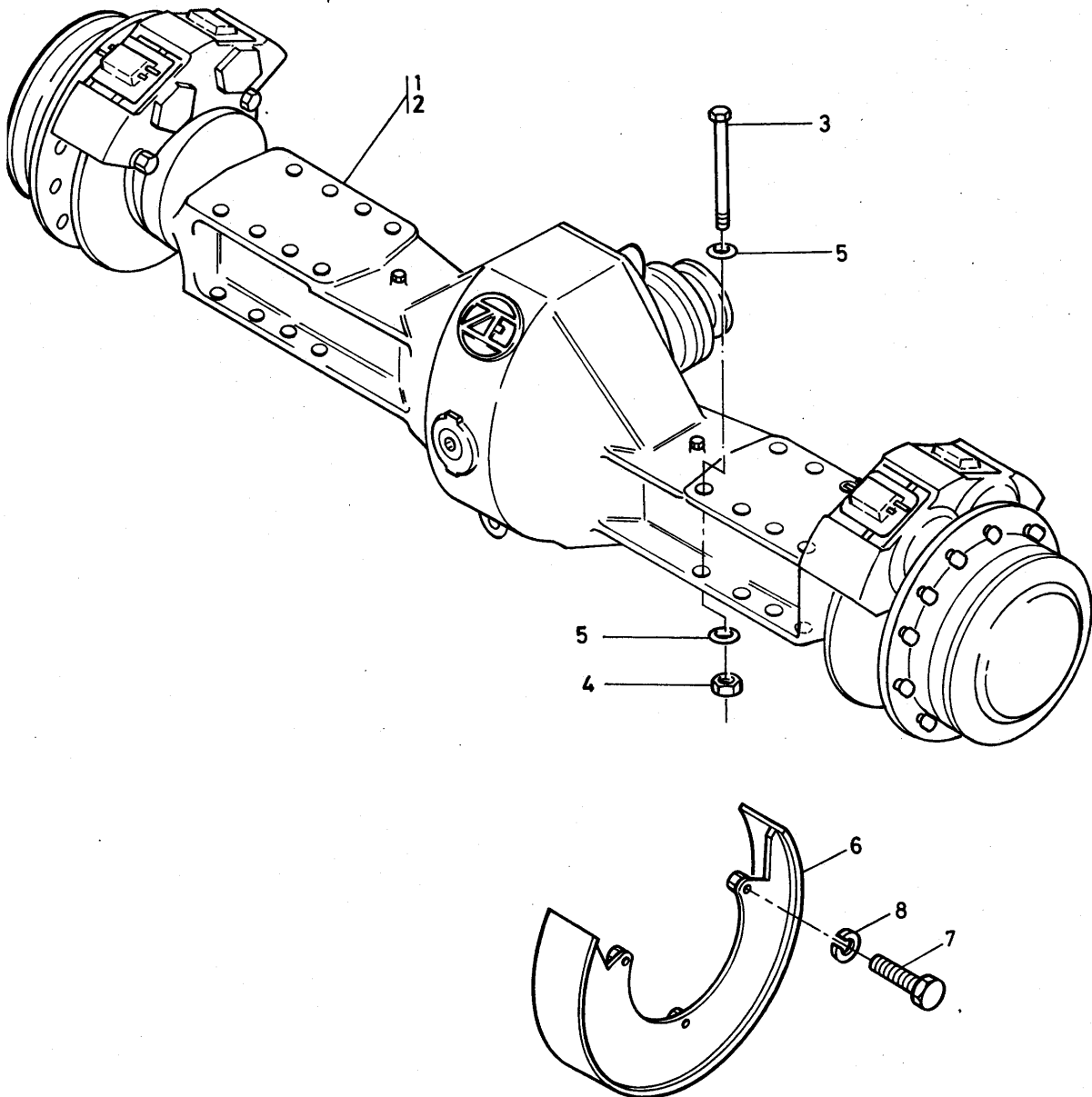
DRUCKREGELVENTIL  
PRESSURE-REGULATING VALVE  
SOUPAPE REGULATRICE DE LA PRESSION

7153



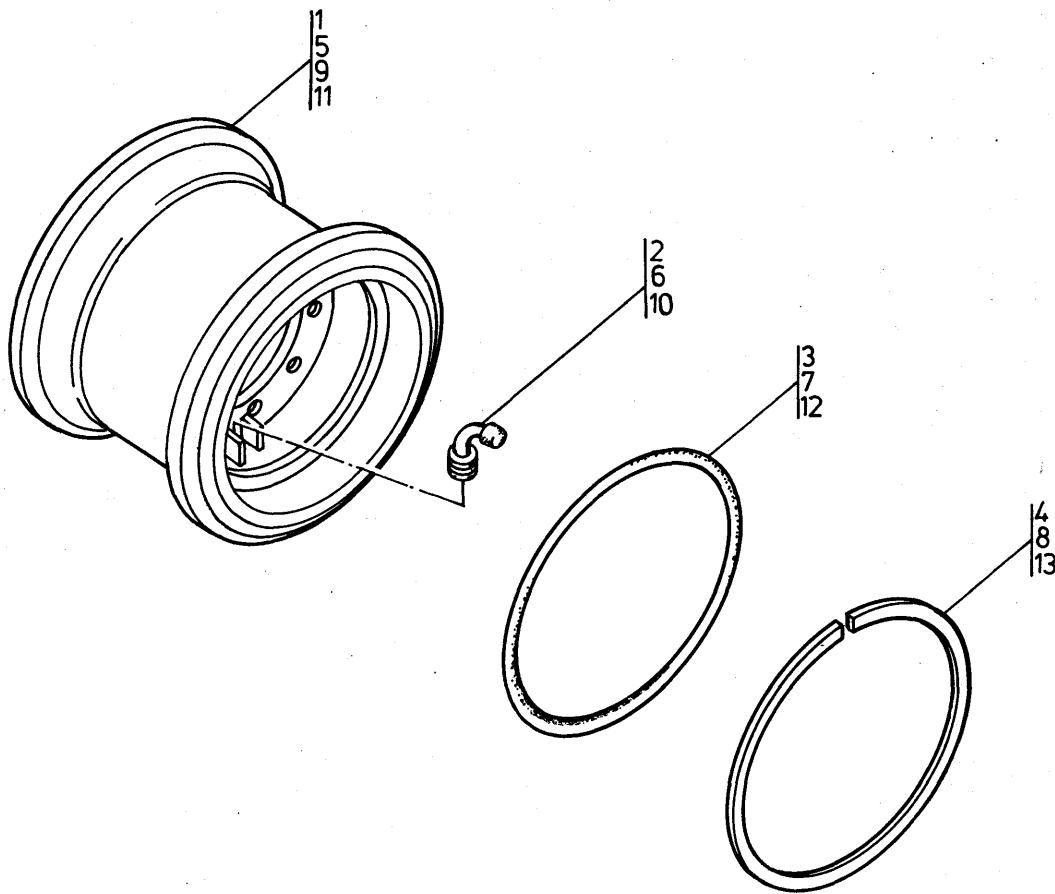
152 Hinterachse und Befestigung  
Rear axle and suspension  
Essieu arriere et suspension

8828



162 SCHEIBENRAD  
DISC WHEEL  
ROUE A DISQUE

6244



Lenksäule für Servolenkung  
Steering column for servo steering  
Colonne de direction pour direction assistée

169

8760

1	3092 872 M91		1	Lenksäule	Steering column	Colonne directio
2	3230 046 M1	1		1 Mantelrohr	Tube	Tube
3	2939 536 M1	1		1 Schleifkontakt	Contact	Contact
4	3230 054 M1	1		1 Nadellager	Needle bearing	Roulement aiguil
5	3230 052 M1	1		1 Kupplungsmuffe	Thimble	Cosse
6	3230 051 M1	1		2 Rolle	Roller	Rouleau
7	3230 053 M1	1		1 Distanzbuchse	Bush	Bague
8	3230 050 M1	1		1 Lenkspindel	Steering spindle	Fusée direction
9	2952 544 M1	1		1 Isolierbuchse	Bush	Bague
10	2952 545 M1	1		1 Schleifring	Ring	Anneau
11	3008 557 X1	1		2 Ring	Ring	Anneau
12	3230 047 M1	1		1 Kugellager	Bearing	Roulement
13	3230 048 M1	1		1 Abdeckscheibe	Washer	Rondelle
14	3230 049 M1	1		1 Kappe	Cap	Chapeau
15	3007 514 X1	1		1 Mutter	Nut	Ecrou

CLICK HERE TO **DOWNLOAD** THE COMPLETE MANUAL

- Thank you very much for reading the preview of the manual.
- You can download the complete manual from: [www.heydownloads.com](http://www.heydownloads.com) by clicking the link below



- Please note: If there is no response to CLICKING the link, please download this PDF first and then click on it.

CLICK HERE TO **DOWNLOAD** THE COMPLETE MANUAL

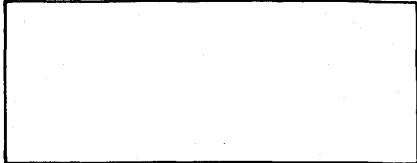
LEITUNGEN FOR LENKANLAGE  
 PIPING FOR STEERING SYSTEM  
 TUYAUTERIE POUR SYSTEME DE DIRECTION

179

9356

1	3002 332 X91		1	VERSCHRAUBUNG...	UNION.....	RACCORD.....	
2		1	➡ 3002 332 X91	1	VERSCHRAUBUNG...	UNION.....	RACCORD.....
3	1444 691 X1	1		3	SCHNEIDRING.....	OLIVE.....	OLIVE.....
4	1442 060 X1	1		3	ÜBERWURFMUTTER..	UNION NUT.....	ECROU RACCORD...
5	3002 312 X1	1		1	VERSCHRAUBUNG...	UNION.....	RACCORD.....
6	3069 446 M8			1	ANSCHLUSSTEIL...	CONNECTOR.....	COSSE.....
7		6	➡ 3069 446 M8	1	ANSCHLUSSTEIL...	CONNECTOR.....	COSSE.....
8	1443 841 X1	6		1	SCHNEIDRING.....	OLIVE.....	OLIVE.....
9	391 097 X1	6		1	ÜBERWURFMUTTER..	UNION NUT.....	ECROU RACCORD...
10	3086 832 M1			1	ROHR.....	TUBE.....	TUBE.....
11	3002 069 X91			1	VERSCHRAUBUNG...	UNION.....	RACCORD.....
12		11	➡ 3002 069 X91	1	VERSCHRAUBUNG...	UNION.....	RACCORD.....
13	1443 841 X1	11		1	SCHNEIDRING.....	OLIVE.....	OLIVE.....
14	391 097 X1	11		1	ÜBERWURFMUTTER..	UNION NUT.....	ECROU RACCORD...
15	3086 879 M1			1	SCHLAUCH.....	HOSE.....	DURITE.....
16	1444 847 X1			1	O-RING.....	O-RING.....	JOINT TORIQUE...
17	3004 943 X1			2	HALBFLANSCH.....	HALF FLANGE.....	DEMI FLASQUE....
18	1444 185 X1			4	SCHRAUBE.....	SCREW.....	VIS.....
19	1443 790 X1			4	FEDERRING.....	LOCK WASHER....	RONDELLE FREIN..
20	3002 073 X91			1	VERSCHRAUBUNG...	UNION.....	RACCORD.....
21		20	➡ 3002 073 X91	1	VERSCHRAUBUNG...	UNION.....	RACCORD.....
22	1443 842 X1	20		1	SCHNEIDRING.....	OLIVE.....	OLIVE.....
23	1443 838 X1	20		1	ÜBERWURFMUTTER..	UNION NUT.....	ECROU RACCORD...
24	1444 680 X1			1	VERSCHRAUBUNG...	UNION.....	RACCORD.....
25	1443 842 X1			2	SCHNEIDRING.....	OLIVE.....	OLIVE.....
26	1443 838 X1			2	ÜBERWURFMUTTER..	UNION NUT.....	ECROU RACCORD...
27	2979 661 M1			1	ROHR.....	TUBE.....	TUBE.....
28	3086 958 M91	👁 181		1	VENTIL.....	VALVE.....	SOUPAPE.....
29	391 193 X1			1	SCHRAUBE.....	SCREW.....	VIS.....
30	339 097 X1			1	SCHRAUBE.....	SCREW.....	VIS.....
31	1443 790 X1			2	FEDERRING.....	LOCK WASHER....	RONDELLE FREIN..
32	3093 767 M1			1	DISTANZROHR.....	TUBE.....	TUBE.....
33	3093 766 M1			1	DISTANZROHR.....	TUBE.....	TUBE.....
34	1444 269 X1			1	VERSCHL. SCHRAUBE	PLUG.....	BOUCHON.....
35	1441 215 X1			1	DICHTRING.....	SEAL.....	BAGUE ETANCHEITE

LEITUNGEN FOR LENKZYLINDER  
 PIPING FOR STEERING CYLINDER  
 TUYAUTERIE POUR VERIN DE DIRECTION



9358

1	1608 154 M92	193	2	LENKZYLINDER....	STEERING CYL....	VERIN DIRECTION.
2	2950 691 M1		4	BOLZEN.....	PIN.....	GOUPILLE.....
3	2922 604 M1		4	SICHERUNGSBLECH.	TAB WASHER.....	RONDELLE EVENT..
4	339 401 X1		8	SCHRAUBE.....	SCREW.....	VIS.....
5	1443 790 X1		8	FEDERRING.....	LOCK WASHER.....	RONDELLE FREIN..
6	2950 692 M1		8	ABSTANDRING.....	RING.....	ANNEAU.....
7	3002 443 X91		2	ANSCHLUSSSTÖCK..	ADAPTOR.....	ADAPTATEUR.....
8		7	2	ANSCHLUSSSTÖCK..	ADAPTOR.....	ADAPTATEUR.....
9	1443 843 X1	7	2	SCHNEIDRING.....	OLIVE.....	OLIVE.....
10	1443 839 X1	7	2	OBERWURFMUTTER..	UNION NUT.....	ECROU RACCORD...
11	1444 696 X1	7	2	SCHNEIDRING.....	OLIVE.....	OLIVE.....
12	1444 688 X1	7	2	OBERWURFMUTTER..	UNION NUT.....	ECROU RACCORD...
13	3086 873 M1		2	SCHLAUCH.....	HOSE.....	DURITE.....
14	3002 362 X91		1	VERSCHRAUBUNG...	UNION.....	RACCORD.....
15		14	1	VERSCHRAUBUNG...	UNION.....	RACCORD.....
16	1443 841 X1	14	2	SCHNEIDRING.....	OLIVE.....	OLIVE.....
17	1443 689 X1	14	2	OBERWURFMUTTER..	UNION NUT.....	ECROU RECCORD...
18	3086 634 M1		1	ROHR.....	TUBE.....	TUBE.....
19	3004 083 X91		1	VERSCHRAUBUNG...	UNION.....	RACCORD.....
20		19	1	VERSCHRAUBUNG...	UNION.....	RACCORD.....
21	1443 841 X1	19	3	SCHNEIDRING.....	OLIVE.....	OLIVE.....
22	391 097 X1	19	3	OBERWURFMUTTER..	UNION NUT.....	ECROU RACCORD...
23	3002 309 X1	19	1	VERSCHRAUBUNG...	UNION.....	RACCORD.....
24	3086 635 M1		1	ROHR.....	TUBE.....	TUBE.....
25	1441 821 X91		1	VERSCHRAUBUNG...	UNION.....	RACCORD.....
26		25	1	VERSCHRAUBUNG...	UNION.....	RACCORD.....
27	1443 841 X1	25	1	SCHNEIDRING.....	OLIVE.....	OLIVE.....
28	391 097 X1	25	1	OBERWURFMUTTER..	UNION NUT.....	ECROU RACCORD...
29	3002 409 X1	25	1	DICHTRING.....	SEAL.....	BAGUE ETANCHEITE
30	3004 078 X91		1	VERSCHRAUBUNG...	UNION.....	RACCORD.....
31		30	1	VERSCHRAUBUNG...	UNION.....	RACCORD.....
32	1443 841 X1	30	3	SCHNEIDRING.....	OLIVE.....	OLIVE.....
33	391 097 X1	30	3	OBERWURFMUTTER..	UNION NUT.....	ECROU RACCORD...
34	3002 309 X1		1	VERSCHRAUBUNG...	UNION.....	RACCORD.....
35	3086 830 M1		1	ROHR.....	TUBE.....	TUBE.....
36	3002 069 X91		1	VERSCHRAUBUNG...	UNION.....	RACCORD.....
37		36	1	VERSCHRAUBUNG...	UNION.....	RACCORD.....
38	1443 841 X1	36	1	SCHNEIDRING.....	OLIVE.....	OLIVE.....
39	391 097 X1	36	1	OBERWURFMUTTER..	UNION NUT.....	ECROU RACCORD...
40	1443 843 X1		2	SCHNEIDRING.....	OLIVE.....	OLIVE.....
41	1443 839 X1		2	OBERWURFMUTTER..	UNION NUT.....	ECROU RACCORD...
42	3086 876 M1		2	SCHLAUCH.....	HOSE.....	DURITE.....
43	3002 079 X91		1	VERSCHRAUBUNG...	UNION.....	RACCORD.....
44		43	1	VERSCHRAUBUNG...	UNION.....	RACCORD.....
45	1443 843 X1	43	1	SCHNEIDRING.....	OLIVE.....	OLIVE.....
46	1443 839 X1	43	1	OBERWURFMUTTER..	UNION NUT.....	ECROU RACCORD...
47	3005 501 X1	43	1	DICHTRING.....	SEAL.....	BAGUE ETANCHEITE
48	3086 638 M1		1	ROHR.....	TUBE.....	TUBE.....
49	3003 086 X91		1	VERSCHRAUBUNG...	UNION.....	RACCORD.....
50		49	1	VERSCHRAUBUNG...	UNION.....	RACCORD.....

Vorderachse, Achseinsatz, Differential  
 Front axle, axle insert, differential  
 Essieu avant, axe du planetaire, differentiel

9353

51	2939 305 M1	1		1	Gleitstück	Slide	Coulisse
52	3005 507 X1	1		1	Mutter	Nut	Ecrou
53	2939 304 M1	1		1	Schraube	Screw	Vis
54	2939 317 M1	1		2	Sicherungsblech	Tab washer	Rondelle event
55	1443 681 X1	1		4	Schraube	Screw	Vis
56		1	(A) Ø 1,6 x 150 mm	1	Draht	Wire	Fil
57	3232 043 M91	1		1	Differential	Differential	Differentiel
58	2950 602 M91	57		1	Gehäuse	Housing	Carter
59	2950 523 M1	57		2	Scheibe	Washer	Rondelle
60	2944 127 M1	57	± 2,9 mm	X	Außenlamelle	External disc	Disque exterieur
61	2944 077 M1	57	± 3,0 mm	X	Außenlamelle	External disc	Disque exterieur
62	2944 128 M1	57	± 3,1 mm	X	Außenlamelle	External disc	Disque exterieur
63	3231 074 M1	57	± 3,0 mm	4	Innenlamelle	Internal disc	Disque interieur
64	2944 129 M1	57		2	Druckring	Ring	Anneau
65	3230 131 M1	57		2	Kegelrad	Bevel gear	Couronne conique
66	3231 076 M1	57		4	Diff. Kegelrad	Diff. pinion	Satellite
67	3231 077 M1	57		2	Achse	Axle	Essieu
68	2950 632 M1	57		1	Deckel	Cover	Couvercle
69	2944 083 M1	57		12	Schraube	Screw	Vis
70	1443 860 X1			24	Mutter	Nut	Ecrou
71	2950 533 M1			1	Achsbrücke	Axle bridge	Pont d'essieu
72	1443 745 X1			1	Stopfen	Plug	Bouchon
73	1442 541 X1			1	Dichtring	Seal	Bague étanchéité
74	3074 443 M1			1	Stopfen	Plug	Bouchon
75	391 358 X1			1	Dichtring	Seal	Bague étanchéité
76	2941 215 M1			1	Ventil	Valve	Soupape

(A) Kein Ersatzteil  
 No spare part  
 Non rechange

(B) Für Reparatur  
 For repairs  
 Pour reparation

Bremssystem, Leitungen  
 Brake system, piping  
 Systeme de frein, tuyauterie

9362

1	3086 938 M91	1 Bremsleitung vr	Brake line	Tuyauterie frein
2	3086 940 M91	1 Bremsleitung vl	Brake line	Tuyauterie frein
3	1443 983 X1	2 Verteiler	Distributor	Distributeur
4	339 804 X1	1 Schraube	Screw	Vis
5	391 654 X1	1 Schraube	Screw	Vis
6	390 971 X1	2 Scheibe	Washer	Rondelle
7	1443 791 X1	2 Federring	Lock washer	Rondelle frein
8	2869 841 M1	4 Schelle	Clip	Collier
9	1443 791 X1	4 Federring	Lock washer	Rondelle frein
10	391 074 X1	2 Schraube	Screw	Vis
11	1443 969 X1	4 Ringstück	Banjo fitting	Raccord banjo
12	1444 943 X1	4 Hohlschraube	Banjo bolt	Vis banjo
13	1444 746 X1	4 Dichtring	Seal	Bague étanchéité
14	3008 586 X1	4 Dichtring	Seal	Bague étanchéité
15	2972 787 M91	1 Bremsleitung	Brake line	Tuyauterie frein
16	1443 968 X1	1 Ringstück	Banjo fitting	Raccord banjo
17	3002 667 X1	1 Ringstück	Banjo fitting	Raccord banjo
18	1443 972 X1	2 Hohlschraube	Banjo bolt	Vis banjo
19	390 839 X1	4 Dichtring	Seal	Bague étanchéité
20	2972 788 M91	1 Bremsleitung	Brake line	Tuyauterie frein
21	2939 839 M1	1 Schlauch	Hose	Durite
22	2951 223 M1	2 Halteteil	Holder	Porte balai
23	2999 825 M1	2 Halteteil	Holder	Porte balai
24	2999 823 M1	1 Stutzen	Stud	Goujon
25	2951 268 M91	1 Bremsleitung	Brake line	Tuyauterie frein
26	2950 370 M1	2 Schlauch	Hose	Durite
27	2869 841 M1	2 Schelle	Clip	Collier
28	1443 791 X1	2 Federring	Lock washer	Rondelle frein
29	339 230 X1	2 Schraube	Screw	Vis
30	2939 839 M1	1 Schlauch	Hose	Durite
31	3086 934 M91	1 Bremsleitung hr	Brake line	Tuyauterie frein
32	3086 936 M91	1 Bremsleitung hl	Brake line	Tuyauterie frein
33	1441 268 X1	2 Schraube	Screw	Vis
34	339 030 X1	2 Mutter	Nut	Ecrou

Bremssystem, Leitungen  
 Brake system, piping  
 Systeme de frein, tuyauterie

9363

1	1443 985 X1		2 Dichtring	Seal	Bague étanchéité
2	1443 691 X1		2 Verschraubung	Union	Raccord
3		2 ➔ 1443 691 X1	2 Stutzen	Stud	Goujon
4	2999 816 M1	2	2 Dichtring	Seal	Bague étanchéité
5	1443 689 X1	2	2 Ring	Ring	Anneau
6	1443 841 X1	2	2 Schneidring	Olive	Olive
7	1443 688 X1	2	2 Überwurfmutter	Union nut	Ecrou chapeau
8	1443 695 X1	2	2 Mutter	Nut	Ecrou
9	2951 227 M1		1 Rohr	Tube	Tube
10	1443 688 X1		2 Überwurfmutter	Union nut	Ecrou chapeau
11	1443 841 X1		2 Schneidring	Olive	Olive
12	1443 689 X1		2 Ring	Ring	Anneau
13	2999 816 X1		2 Dichtring	Seal	Bague étanchéité
14	2859 421 M1		1 Schlauch	Hose	Durite
15	2951 233 M1		1 Rohr	Tube	Tube
16	2951 240 M1		1 Winkel	Angel	Equerre
17	1444 643 X1		1 Schelle	Clip	Collier
18	339 282 X1		1 Schraube	Screw	Vis
19	1443 790 X1		1 Federring	Lock washer	Rondelle frein
20	339 402 X1		1 Mutter	Nut	Ecrou
21	1443 978 X1		2 Stutzen	Stud	Goujon
22	1443 695 X1		4 Mutter	Nut	Ecrou
23	1443 688 X1		4 Überwurfmutter	Union nut	Ecrou chapeau
24	1443 841 X1		4 Schneidring	Olive	Olive
25	1443 689 X1		4 Druckring	Olive	Olive
26	2999 816 M1		4 Dichtring	Seal	Bague étanchéité
27	2999 706 M1		1 Schlauch	Hose	Durite
28	3071 701 M1		1 Rohr	Tube	Tube
29	1444 643 X1		1 Schelle	Clip	Collier
30	1443 790 X1		1 Federring	Lock washer	Rondelle frein
31	339 402 X1		1 Mutter	Nut	Ecrou
32	1443 686 X1		1 Behälter	Container	Cuve
33	1443 694 X1		1 Hohlschraube	Banjo bolt	Vis banjo
34	1443 850 X1		1 Dichtring	Seal	Bague étanchéité
35	3071 704 M1		2 Bügel	Bail	Etrier
36	339 169 X1		8 Mutter	Nut	Ecrou
37	1443 789 X1		8 Federring	Lock washer	Rondelle frein
38	2999 807 M1		1 Ventil	Valve	Soupape
39	1443 850 X1		1 Dichtring	Seal	Bague étanchéité
40	1443 813 X1		2 Ring	Ring	Anneau
41	1444 911 X1	(A)	1 Kette	Chain	Chaîne

(A) Meterware  
 Goods sold by the meter } 3002 646 X1  
 A vendre par metre }

FROSTSCHUTZPUMPE  
ANTI-FREEZE PUMP  
POMPE ANTI-GEL

229

4191

1	2949 021 M91		1	FROSTSCHUTZPUMPE	DEFROSTING PUMP.	POMPE DEGIVRAGE.
2		1	1	FROSTSCHUTZPUMPE	DEFROSTING PUMP.	POMPE DEGIVRAGE.
3	3002 392 X1	1		KERBSTIFT.....	GROOVE PIN.....	GOUILLE CANNEL.
4	2961 896 M1	1		DRUCKFEDER.....	SPRING.....	RESSORT.....
5	2961 895 M1	1		NOCKEN.....	CAM.....	CAME.....
6	2961 894 M1	1		RAD.....	WHEEL.....	ROUE.....
7	1441 574 X1	1		KERBNAGEL.....	NOTCHED NAIL....	CLOU.....
8	2961 919 M1	1		SCHILD.....	SHIELD.....	TOLE.....
9	391 363 X1	1		SCHEIBE.....	DISC.....	DISQUE.....
10	3004 952 X1	1		SCHRAUBE.....	SCREW.....	VIS.....
11	2961 897 M1	1		RING.....	RING.....	ANNEAU.....
12	2948 988 M1	1		DICHTRING.....	SEAL.....	BAGUE ETANCHEITE
13	354 465 X1	1		KUGEL.....	BALL.....	BILLE.....
14	2961 898 M1	1		DRUCKFEDER.....	SPRING.....	RESSORT.....
15	2961 913 M1	1		DRUCKKOLBEN.....	PISTON.....	PISTON.....
16	3001 963 X1	1		O-RING.....	O-RING.....	JOINT TORIQUE...
17	2948 987 M1	1		VENTILPLATTE....	PLATE.....	PLAQUE.....
18	2948 986 M1	1		O-RING.....	O-RING.....	JOINT TORIQUE...
19	2961 899 M1	1		DRUCKFEDER.....	SPRING.....	RESSORT.....
20	390 971 X1	1		SCHEIBE.....	DISC.....	DISQUE.....
21	3001 965 X1	1		O-RING.....	O-RING.....	JOINT TORIQUE...
22	3004 872 X1	1		O-RING.....	O-RING.....	JOINT TORIQUE...
23	2949 013 M1	1		KOLBEN.....	PISTON.....	PISTON.....
24	2945 427 M1	1		MUTTER.....	NUT.....	ECROU.....
25	2961 911 M1	1		DRUCKFEDER.....	SPRING.....	RESSORT.....
26	2961 910 M1	1		FEDERTOPF.....	SPRING PUT.....	SIEGE RESSORT...
27	2961 909 M1	1		SPRITZBLECH.....	SHEET METAL.....	CARROSSERIE.....
28	2961 908 M1	1		SPRENGRING.....	RING.....	ANNEAU.....
29	2948 989 M1	1		DICHTRING.....	SEAL.....	BAGUE ETANCHEITE
30	2961 915 M1	1		BEHALTER.....	CONTAINER.....	CUVE.....
31	2948 991 M1	1		HALTERUNG.....	MOUNTING.....	MONTANT.....
32	2961 916 M1	1		HOLSE.....	SLEEVE.....	MANCHON.....
33	2961 917 M1	1		SCHRAUBE.....	SCREW.....	VIS.....
34	2948 990 M1	1		DICHTUNG.....	GASKET.....	JOINT.....
35	2961 918 M1	1		DECKEL.....	COVER.....	COUVERCLE.....

C

C

C

Kühlerschutz  
Radiator case  
Boîtier de radiateur

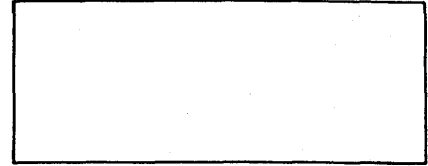
245

9535

1	2981 693 M91		1 Kühlerschutz	Radiator guard	Garant radiateur
2	1444 280 X1		16 Bolzen	Pin	Goupille
3	2981 691 M1		2 Blech	Sheet metal	Carrosserie
4	2981 695 M1		2 Dichtung	Gasket	Joint
5	339 666 X1		6 Schraube	Screw	Vis
6	2951 544 M1	(A) 510 mm	2 Band	Band	Bande
7	3068 374 M8		10 Niet	Rivet	Rivet
8	391 717 X1		4 Mutter	Nut	Ecrou
9	1443 795 X1		4 Federring	Lock washer	Rondelle frein
10	2946 749 M1		4 Scheibe	Washer	Rondelle
11	2951 658 M1	Σ 1 mm	X Blech	Sheet metal	Carrosserie
12	2951 548 M1	Σ 2 mm	X Blech	Sheet metal	Carrosserie
13	2980 960 M91		1 Hutze	Chimney	Cheminée
14	1443 666 X1		2 Mutter	Nut	Ecrou
15	1444 362 X1		2 Scheibe	Washer	Rondelle
16	1443 796 X1		2 Federring	Lock washer	Rondelle frein
17	391 421 X1		2 Schraube	Screw	Vis
18	2982 106 M1		1 Auskleidung ob.	Panel top	Panneau superieur
19	2980 971 M1		1 Auskleidung li.	Panel l-h	Panneau gauche
20	2980 970 M1		1 Auskleidung re.	Panel r-h	Panneau droite
21	2978 649 M1		18 Clip	Clip	Clip
22	1444 362 X1		2 Scheibe	Washer	Rondelle
23	1443 796 X1		2 Federring	Lock washer	Rondelle frein
24	391 421 X1		2 Schraube	Screw	Vis
25	2980 975 M91		2 Relaxkulisse	Quadrant	Coulisse
26	2980 969 M91	25	2 Relaxkulisse	Quadrant	Coulisse
27	2951 614 M1	25	2 Leitblech	Baffle	Deflecteur
28	1442 186 X1	25	12 Schraube	Screw	Vis
29	2951 727 M91		12 Relaxkulisse	Quadrant	Coulisse
30	2998 576 M1	29	2 Relaxkulisse	Quadrant	Coulisse
31	2951 614 M1	29	2 Leitblech	Baffle	Deflecteur
32	1442 186 X1	29	12 Schraube	Screw	Vis
33	2980 978 M1		2 Unterlage	Underlay	Base
34	2980 979 M1		2 Unterlage	Underlay	Base
35	2980 977 M1		18 Unterlage	Underlay	Base
36	2980 974 M91		1 Relaxhalter	Bracket	Support
37	390 597 X1		2 Scheibe	Washer	Rondelle
38	339 402 X1		4 Mutter	Nut	Ecrou
39	2951 735 M91		1 Schutzgitter	Fence	Treillis protect
40	1443 790 X1		6 Federring	Lock washer	Rondelle frein
41	339 402 X1		6 Mutter	Nut	Ecrou
42	2951 521 M1		1 Gitterblech	Sheet metal	Tôle perforée
43	1443 790 X1		8 Federring	Lock washer	Rondelle frein
44	339 160 X1		8 Schraube	Screw	Vis

(A) Meterware )  
Goods sold by the meter ) 1443 940 X1  
A vendre par mètre )

Dach	} F.O.P.S.
Roof	
Toit	



9525

- 1 3094 167 M91
- 2 1444 132 X1
- 3 3097 251 M1 (A)
- 4 3097 252 M1 (A)

- 1 Dach
- 5 Schraube
- 2 Abdichtung
- 1 Abdichtung

- Roof
- Screw
- Gasket
- Gasket

- Toit
- Vis
- Joint
- Joint

(A) Meterware	} 2999 843 M1
Goods sold by the meter	
A vendre par mètre	

Einbauteile für Komfort-Sicherheitsfahrerhaus  
 Components for de luxe model safety cabin  
 Pièces détachées pour cabine de sécurité de luxe

9529

1	3094 183 M91		1 Rollo	Hinge curtain	Persienne
2	3094 164 M91		1 Querträger	Traverse	Traverse
3	390 972 X1		5 Scheibe	Washer	Rondelle
4	1444 329 X1		5 Mutter	Nut	Ecrou
5	3005 082 X1		2 Schraube	Screw	Vis
6	3006 165 X1		2 Scheibe	Washer	Rondelle
7	3093 146 M91		1 Aschenbecher	Ashtray	Portacener
8	3008 957 X1		2 Schraube	Screw	Vis
9	2946 357 M1		2 Garderobenhaken	Hook	Crochet
10	1444 154 X1		4 Schraube	Screw	Vis
11	3093 105 M91		1 Tasche	Bag	Sac
12	3094 474 M91		1 Abdeckblech li	Plate l-h	Plaque gauche
13	3094 473 M91		1 Abdeckblech re	Plate r-h	Plaque droite
14	3094 118 M91		1 Klappe	Flap	Battant
15	3008 954 X1		20 Schraube	Screw	Vis
16			Nicht verwendet	Not used	Non utilisé
17	3093 951 M91		1 Behälter	Container	Cuve
18		17 → 3093 951 M91	1 Behälter	Container	Cuve
19	3062 789 M8	17	1 Magnet	Magnet	Aimant
20	1443 798 X1	17	1 Federring	Lock washer	Rondelle frein
21	392 289 X1	17	1 Mutter	Nut	Ecrou
22	3093 989 M1	17 (A) 515 mm	1 Gummi	Rubber	Caoutchouc
23	2885 698 M1	17	4 Stopfen	Plug	Bouchon
24	1444 156 X1		2 Schraube	Screw	Vis

(A) Meterware  
 goods sold by the meter } 2999 889 M1  
 à vendre par mètre }

Fahrersitz  
Driver's seat  
Siege du conductor

275-  
277

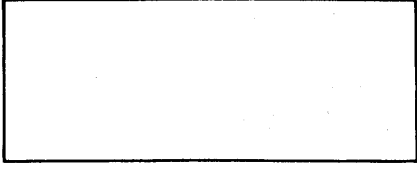
9725

1	3093	167	M91		1	Sitz m. Armlehne	Seat with armres	Siege
2	2976	525	M91	(A)	1	Sitz m. Armlehne	Seat with armres	Siege
3-4						nicht verwendet	not used	non utilise
5	3241	146	M91		1	Rückenlehne	Back rest	Dossier
6	3241	168	M91	(A)	2	Rückenlehne	Back rest	Dossier
7	3241	147	M1		5	Lehnenbezug	Cover	Revêtement
8	3241	169	M1	(A)	6	Lehnenbezug	Cover	Revêtement
9	3241	188	M91		1	Sitzunterteil	Seat slide	Siege partie inf
10	3241	182	M91	(A)	2	Sitzunterteil	Seat slide	Siege partie inf
11	3241	153	M1		9	Sitzbezug	Cover	Revêtement
12	3241	171	M1	(A)	10	Sitzbezug	Cover	Revêtement
13	3077	398	M1		1,2	Armlehne re.	Armrest r.h.	Bourrelet droite
14	3077	399	M1		1,2	Armlehne li.	Armrest l.h.	Bourrelet gauche
15	3241	183	M91		1,2	Sitzgestell	Seat frame	Console de siege
16	2962	525	M1		15	Drehstabfeder	Torsion bar	Barre de torsion
17	3241	184	M91		1,2	Ratsche	Ratchet	Cliquet
18	2972	743	M1	(B)	2	Fingerschutz	Fincer protector	Protege deigts
19	3241	186	M91		1,2	Stellschiene	Adjusting rail	Rail
20						nicht verwendet	not used	non utilise
21	2962	674	M1		15	Arretierung	Locator	Pion decantage
22	2964	100	M1		15	Puffer	Buffer	Pare choc
23	3241	185	M91		1,2	Stoßdämpfer	Shock absorber	Amortisseur

(A) wasserabweisend  
water protected  
eau protegee

(B) Sonderausrüstung  
Special equipment  
Equipement special

WERKZEUG  
TOOLS  
OUTILLAGE



9027

1	2880 590 M91			1	WERKZEUGSATZ....	TOOL KIT.....	OUTILS JEU.....
2		1	8 X 10 MM	1	SCHR SCHLÖSSEL..	WRENCH.....	CLE A FOURCHE...
3		1	11 X 13 MM	1	SCHR SCHLÖSSEL..	WRENCH.....	CLE A FOURCHE...
4		1	12 X 14 MM	1	SCHR SCHLÖSSEL..	WRENCH.....	CLE A FOURCHE...
5		1	13 X 15 MM	1	SCHR SCHLÖSSEL..	WRENCH.....	CLE A FOURCHE...
6		1	17, X 19 MM	1	SCHR SCHLÖSSEL..	WRENCH.....	CLE A FOURCHE...
7		1	22 X 24 MM	1	SCHR SCHLÖSSEL..	WRENCH.....	CLE A FOURCHE...
8		1	27 X 30 MM	1	SCHR SCHLÖSSEL..	WRENCH.....	CLE A FOURCHE...
9		1	6 MM	1	SCHRAUBENDREHER.	SCREWDRIVER....	TOURNEVIS.....
10		1	8 MM	1	SCHRAUBENDREHER.	SCREWDRIVER....	TOURNEVIS.....
11		1	10 MM	1	SCHRAUBENDREHER.	SCREWDRIVER....	TOURNEVIS.....
12		1	14 MM	1	SCHRAUBENDREHER.	SCREWDRIVER....	TOURNEVIS.....
13		1	17 MM	1	SCHRAUBENDREHER.	SCREWDRIVER....	TOURNEVIS.....
14		1	B 2	1	SCHRAUBENDREHER.	SCREWDRIVER....	TOURNEVIS.....
15		1	A 0,8 X 5,5	1	SCHRAUBENDREHER.	SCREWDRIVER....	TOURNEVIS.....
16		1	A 2 X 12	1	SCHRAUBENDREHER.	SCREWDRIVER....	TOURNEVIS.....
17		1	500 P	1	HAMMER.....	HAMMER.....	MARTEAU.....
18		1	1000 P	1	HAMMER.....	HAMMER.....	MARTEAU.....
19		1		1	ZANGE.....	PLIERS.....	PINCE.....
20		1		1	KOMBIZANGE.....	COMBIPLIERS....	PINCES COMBINEES
21		1		1	MEISSEL.....	CHISEL.....	BURIN.....
22		1		1	DURCHTREIBER....	PIN DRIFT.....	CHASSE AXE.....
23		1	10 X 11 MM	1	RINGSCHLÖSSEL...	RING SPANNER...	CLE TUBE.....
24		1	12 X 13 MM	1	RINGSCHLÖSSEL...	RING SPANNER...	CLE TUBE.....
25		1	13 X 17 MM	1	RINGSCHLÖSSEL...	RING SPANNER...	CLE TUBE.....
26		1	19 X 22 MM	1	RINGSCHLÖSSEL...	RING SPANNER...	CLE TUBE.....
27		1	24 X 27 MM	1	RINGSCHLÖSSEL...	RING SPANNER...	CLE TUBE.....
28		1	46 MM	1	MAULSCHLÖSSEL...	FLAT SPANNER...	CLE PLATE.....
29		1	A 10 X 13 MM	1	STECKSCHLÖSSEL..	SOCKET SPANNER..	CLE A DOUILLE...
30		1	A 17 X 19 MM	1	STECKSCHLÖSSEL..	SOCKET SPANNER..	CLE A DOUILLE...
31		1	A 22 X 24 MM	1	STECKSCHLÖSSEL..	SOCKET SPANNER..	CLE A DOUILLE...
32		1	A 6 MM	1	STIFT.....	PEG.....	GOUPILLE.....
33		1	A 12 MM	1	STIFT.....	PEG.....	GOUPILLE.....
34		1	A 14 MM	1	STIFT.....	PEG.....	GOUPILLE.....
35			7 X 9 MM	1	SCHR SCHLÖSSEL..	WRENCH.....	CLE A FOURCHE...
36			5 MM	1	SCHRAUBENDREHER.	SCREWDRIVER....	TOURNEVIS.....
37			12 MM	1	SCHRAUBENDREHER.	SCREWDRIVER....	TOURNEVIS.....
38			22 MM	1	SCHRAUBENDREHER.	SCREWDRIVER....	TOURNEVIS.....
39		(A)	24 X 27 MM	1	STECKSCHLÖSSEL..	SOCKET SPANNER..	CLE A DOUILLE...
39A		(B)	27 X 30 MM	1	STECKSCHLÖSSEL..	SOCKET SPANNER..	CLE A DOUILLE...
40		(A)	A 18 MM	1	STIFT.....	PEG.....	PORTE MANTEAU...
40A		(B)	A 18 MM	1	STIFT.....	PEG.....	PORTE MANTEAU...
41				1	EINSATZ.....	INSERT.....	DOUILLE.....
42			11 MM	1	STECKSCHLÖSSEL..	SOCKET SPANNER..	CLE A DOUILLE...
43			10 MM	1	STECKSCHLÖSSEL..	SOCKET SPANNER..	CLE A DOUILLE...

- (A) KUGELBUNDMUTTER )  
FOR BALL NUT ) SW 27  
POUR ECROU SPHERIQUE)
- (B) FOR RADMUTTER )  
FOR WHEEL NUT ) 27 X 30  
POUR ECROU DE ROUE )

(

(

(

HYDRAULIKANLAGE  
HYDRAULIC SYSTEM  
SYSTEME HYDRAULIQUE

315

9512

1	1444 848 X1	4	DICHTRING..... SEAL..... BAGUE ETANCHEITE
2			NICHT VERWENDET. NOT USED..... NON UTILISE.....
3	2950 918 M1	2	DRUCKRING..... RING..... ANNEAU.....
4			NICHT VERWENDET. NOT USED..... NON UTILISE.....
5	3094 423 M91	1	DRUCKROHR..... PRESSURE PIPE... TUYAU.....
6	391 188 X1	6	SCHRAUBE..... SCREW..... VIS.....
7	1444 176 X1	2	SCHRAUBE..... SCREW..... VIS.....
8	391 241 X1	8	FEDERRING..... LOCK WASHER..... RONDELLE FREIN..
9	390 839 X1	2	DICHTRING..... SEAL..... BAGUE ETANCHEITE
10	1443 750 X1	2	VERSCHL.STOPFEN. PLUG..... BOUCHON.....
11	2951 024 M91	1	DRUCKROHR..... PRESSURE PIPE... TUYAU.....
12	1444 848 X1	2	DICHTRING..... SEAL..... BAGUE ETANCHEITE
13	2950 919 M1	2	DRUCKRING..... RING..... ANNEAU.....
14	1444 849 X1	2	DICHTRING..... SEAL..... BAGUE ETANCHEITE
15	391 241 X1	8	FEDERRING..... LOCK WASHER..... RONDELLE FREIN..
16	1441 757 X1	8	SCHRAUBE..... SCREW..... VIS.....
17	1444 848 X1	10	DICHTRING..... SEAL..... BAGUE ETANCHEITE
18	1444 835 X1	16	HALBFLANSCH.... HALF FLANGE.... DEMI FLASQUE....
19	1443 790 X1	32	FEDERRING..... LOCK WASHER..... RONDELLE FREIN..
20	2999 789 M1	32	SCHRAUBE..... SCREW..... VIS.....
21	2999 719 M1	4	DRUCKSCHLAUCH... PRESSURE HOSE... FLEXIBLE HTE PR.
22	2951 032 M92	1	DRUCKROHR..... PRESSURE PIPE... TUYAU.....
23	2950 995 M92	1	DRUCKROHR..... PRESSURE PIPE... TUYAU.....
24	2950 988 M92	1	DRUCKROHR..... PRESSURE PIPE... TUYAU.....
25	2951 031 M92	1	DRUCKROHR..... PRESSURE PIPE... TUYAU.....
26	1443 790 X1	8	FEDERRING..... LOCK WASHER..... RONDELLE FREIN..
27	1441 436 X1	8	SCHRAUBE..... SCREW..... VIS.....
28	1443 774 X1	4	SCHEIBE..... DISC..... DISQUE.....
29	1443 790 X1	4	FEDERRING..... LOCK WASHER..... RONDELLE FREIN..
30	339 814 X1	4	SCHRAUBE..... SCREW..... VIS.....
31	390 597 X1	1	SCHEIBE..... WASHER..... RONDELLE.....
32	1443 790 X1	1	FEDERRING..... LOCK WASHER..... RONDELLE FREIN..
33	339 451 X1	1	SCHRAUBE..... SCREW..... VIS.....

DOPPELREGELVENTIL  
 DOUBLE CONTROL VALVE  
 VALVE DE COMMANDE DOUBLE

TEIL )  
 PART ) II  
 PARTIE )

5072

- |    |             |                |   |                  |             |                  |
|----|-------------|----------------|---|------------------|-------------|------------------|
| 1  | 2951 867 M1 |                | 1 | VERSCHL.SCHRAUBE | PLUG.....   | BOUCHON.....     |
| 2  | 2951 870 M1 |                | 2 | DICHTRING.....   | SEAL.....   | BAGUE ETANCHEITE |
| 3  | 3007 021 X1 |                | 1 | DICHTRING.....   | SEAL.....   | BAGUE ETANCHEITE |
| 4  |             | ➡ 3086 207 M91 | 1 | HOLSE.....       | SLEEVE..... | MANCHON.....     |
| 5  | 2951 872 M1 |                | 1 | FEDER.....       | SPRING..... | RESSORT.....     |
| 6  | 2951 873 M1 |                | 2 | RING.....        | RING.....   | ANNEAU.....      |
| 7  | 3007 032 X1 |                | 1 | DICHTRING.....   | SEAL.....   | BAGUE ETANCHEITE |
| 8  | 2951 868 M1 |                | 1 | VERSCHL.SCHRAUBE | PLUG.....   | BOUCHON.....     |
| 9  | 2951 815 M1 |                | 1 | FEDER.....       | SPRING..... | RESSORT.....     |
| 10 |             | ➡ 3086 207 M91 | 1 | VENTILKEGEL..... | POPPET..... | POUSSOIR.....    |
| 11 |             | ➡ 3086 207 M91 | 1 | KOLBEN.....      | PISTON..... | PISTON.....      |
| 12 | 3078 461 M1 |                | 1 | VERSCHL.STOPFEN. | PLUG.....   | BOUCHON.....     |
| 13 | 2951 875 M1 |                | 1 | VERSCHL.STOPFEN. | PLUG.....   | BOUCHON.....     |
| 14 | 1444 884 X1 |                | 1 | DICHTRING.....   | SEAL.....   | BAGUE ETANCHEITE |
| 15 | 2951 866 M1 |                | 1 | VERSCHL.SCHRAUBE | PLUG.....   | BOUCHON.....     |

STEUERGERÄT 2-FACH  
CONTROL VALVE 2-WAY  
DISTRIBUTEUR A 2 VOIES

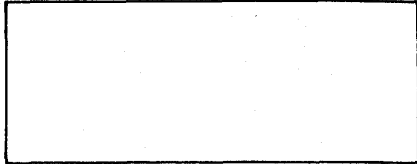
335

5245

1	3077 606 M1	2	SCHRAUBE.....	SCREW.....	VIS.....
2	2951 790 M1	2	SCHEIBE.....	DISC.....	DISQUE.....
3	3076 892 M1	1	FLANSCH.....	FLANGE.....	FLASQUE.....
4	2951 801 M1	1	RING.....	RING.....	ANNEAU.....
5	3077 607 M1	1	RING.....	RING.....	ANNEAU.....
6	3007 107 X1	2	DICHTRING.....	SEAL.....	BAGUE ETANCHEITE
7	2951 913 M1	1	DISTANZSCHEIBE..	DISC.....	DISQUE.....
8	3001 960 X1	1	DICHTRING.....	SEAL.....	BAGUE ETANCHEITE
9	2951 823 M1	1	BOLZEN.....	PIN.....	GOUPILLE.....
10	3001 948 X1	2	DICHTRING.....	SEAL.....	BAGUE ETANCHEITE
11	2951 912 M1	1	FEDER.....	SPRING.....	RESSORT.....
12	2964 347 M1	2	VENTILKEGEL.....	POPPET.....	POUSSOIR.....
13	2951 825 M1	1	FEDER.....	SPRING.....	RESSORT.....
14	3077 612 M1	2	KUGEL.....	BALL.....	BILLE.....
15	3077 613 M1	1	FEDER.....	SPRING.....	RESSORT.....
16	3077 614 M1	1	BOLZEN.....	PIN.....	GOUPILLE.....
17	3077 618 M1	1	BUCHSE.....	BUSH.....	BAGUE.....
18	3077 602 M1	1	DICHTRING.....	SEAL.....	BAGUE ETANCHEITE
19	3077 616 M1	1	FEDERTRÄGER....	SPRING CARRIER..	SUPPORT RESSORT..
20	2951 910 M1	1	FEDER.....	SPRING.....	RESSORT.....
21	3077 615 M1	1	FEDERTRÄGER....	SPRING CARRIER..	SUPPORT RESSORT..
22	3077 617 M1	1	SCHEIBE.....	DISC.....	DISQUE.....
23	3077 611 M1	1	GEHÄUSE.....	HOUSING.....	CARTER.....
24	2951 790 M1	2	SCHEIBE.....	DISC.....	DISQUE.....
25	3077 609 M1	2	SCHRAUBE.....	SCREW.....	VIS.....
26	3077 621 M1	4	SCHEIBE.....	DISC.....	DISQUE.....
27	3077 619 M1	1	MAGNET.....	MAGNET.....	AIMANT.....
28	3077 622 M1	1	MAGNETPLATTE....	MAGNETIC PLATE..	PLAQUE MAGNETIC..
29	3077 623 M1	1	SCHEIBE.....	DISC.....	DISQUE.....
30	2962 090 M1	1	SCHRAUBE.....	SCREW.....	VIS.....
31	3077 625 M1	1	FLANSCH.....	FLANGE.....	FLASQUE.....
32	3077 620 M1	1	MAGNET.....	MAGNET.....	AIMANT.....
33	3077 624 M1	1	DECKEL.....	COVER.....	COUVERCLE.....
34	2951 809 M1	1	VERSCHL.STOPFEN.	PLUG.....	BOUCHON.....
35	2951 790 M1	2	SCHEIBE.....	DISC.....	DISQUE.....
36	3077 610 M1	2	SCHRAUBE.....	SCREW.....	VIS.....
37		1	STEUERSCHIEBER..	SPOOL.....	TIROIR.....

➡ 3074 162 M91

STEUERGERÄT 3-FACH  
 CONTROL VALVE 3-WAY  
 DISTRIBUTEUR A 3 VOIES



5079

- 1 2951 791 M1
- 2 2951 790 M1
- 3 3076 892 M1
- 4 2951 801 M1
- 5 3076 893 M1
  
- 6 3007 107 X1
- 7 2951 823 M1
- 8 3001 948 X1
- 9 2951 825 M1
- 10 2964 347 M1
  
- 11 3076 893 M1
- 12 3076 897 M1
- 13 2923 207 M1
- 14 2947 166 M1
- 15 3076 895 M1
  
- 16 2951 790 M1
- 17 3031 784 M1
- 18 2923 209 M1
- 19 2923 210 M1
- 20 2923 208 M1
  
- 21

⇒ 3074 163 M91

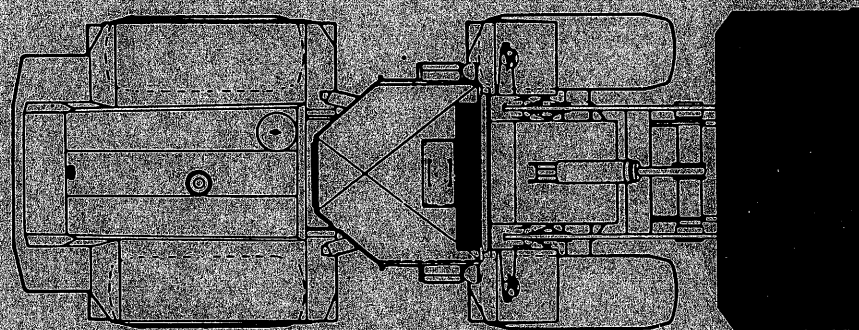
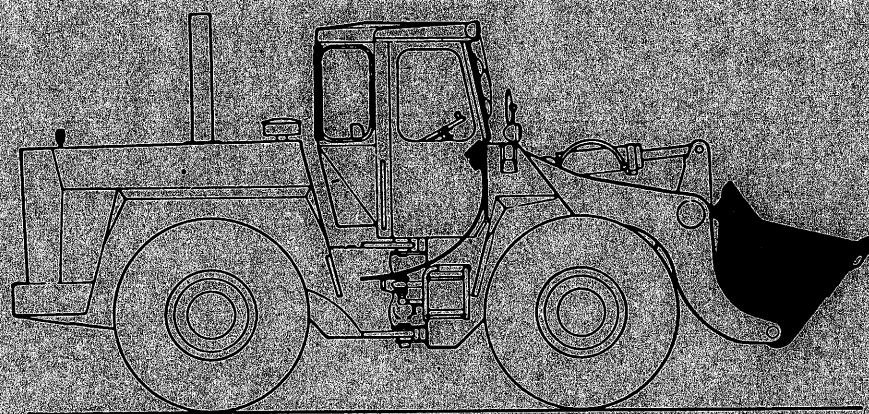
- 2 SCHRAUBE..... SCREW..... VIS.....
- 2 SCHEIBE..... DISC..... DISQUE.....
- 1 FLANSCH..... FLANGE..... FLASQUE.....
- 1 RING..... RING..... ANNEAU.....
- 1 DICHRINGHALTER. SEALING HOLDER.. PORTE JOINT.....
  
- 2 DICHRING..... SEAL..... BAGUE ETANCHEITE
- 1 BOLZEN..... PIN..... GOUPILLE.....
- 2 DICHRING..... SEAL..... BAGUE ETANCHEITE
- 2 FEDER..... SPRING..... RESSORT.....
- 2 VENTILKEGEL..... POPPET..... POUSSOIR.....
  
- 1 DICHRINGHALTER. SEALING HOLDER.. PORTE JOINT.....
- 2 FEDERTRÄGER..... SPRING CARRIER.. SUPPORT RESSORT.
- 1 FEDER..... SPRING..... RESSORT.....
- 1 BOLZEN..... PIN..... GOUPILLE.....
- 1 KAPPE..... CAP..... CHAPEAU.....
  
- 2 SCHEIBE..... DISC..... DISQUE.....
- 2 SCHRAUBE..... SCREW..... VIS.....
- 1 HUBBEGRENZER.... STROKE LIMITER.. LIMITEUR COURSE.
- 1 MUTTER..... NUT..... ECROU.....
- 1 KAPPE..... CAP..... CHAPEAU.....
  
- 1 STEUERSCHIEBER.. SPOOL..... TIROIR.....

Hydraulikanlage, Ölbehälter  
Hydraulic system, oil reservoir  
Systeme hydraulique, reservoir d'huile

355

9515

1	3005 637 X1		1	Verschl.Stopfen	Plug	Bouchon
2	391 305 X1		1	Dichtring	Seal	Bague étanchéité
3	339 402 X1		36	Mutter	Nut	Ecrou
4	1443 790 X1		36	Federring	Lock washer	Rondelle frein
5	2950 952 M1		1	Deckel	Cover	Couvercle
6	2950 953 M1		1	Dichtung	Gasket	Joint
7	1444 132 X1		2	Schraube	Screw	Vis
8	2950 907 M1		2	Klemmstück	Clamping device	Systeme serrage
9	2975 851 M91		2	Filter	Filter	Filtre
10		9	1	Gehäuse	Housing	Carter
11	2894 080 M1	9	4	Filterelement	Filter element	Element de filtr
12	2999 792 M1		1	Schraube	Screw	Vis
13	390 839 X1		1	Dichtring	Seal	Bague étanchéité
14	2950 991 M91		1	Ölbehälter	Oil tank	Reservoir huile
15		14	1	Behälter	Container	Cuve
16	1444 276 X1	14	36	Gewindebolzen	Thread bolt	Vis metaux
17	1444 140 X1		2	Schraube	Screw	Vis
18	3070 519 M1		1	Druckplatte	Thrust plate	Plaque de butee
19	3070 520 M1		2	Dichtung	Gasket	Joint
20	3070 517 M1		1	Glasscheibe	Glass pane	Vitre
21	339 337 X1		6	Schraube	Screw	Vis
22	2948 543 M1		1	Dichtung	Gasket	Joint
23	2951 020 M92		1	Sauganschluß	Intake	Prise
24	1444 271 X1		1	Verschl. Stopfen	Plug	Bouchon
25	391 265 X1		1	Dichtring	Seal	Bague étanchéité
26	2860 405 M1		1	Feder	Spring	Ressort
27	1444 590 X1		1	Kugel	Ball	Bille
28	390 855 X1		1	Dichtring	Seal	Bague étanchéité
29	2949 213 M1		1	Verschl. Stopfen	Plug	Bouchon
30	1444 589 X1		1	Kugel	Ball	Bille
31	1442 060 X1		1	Überwurfmutter	Union nut	Ecrou chapeau
32	3096 479 M91		1	Stütze	Stay	Hauban
33	339 020 X1		1	Schraube	Screw	Vis
34	1443 792 X1		1	Federring	Lock washer	Rondelle frein
35	391 305 X1		1	Dichtring	Seal	Bague étanchéité
36	3005 637 X1		1	Verschl. Stopfen	Plug	Bouchon



Schaufel  
Bucket  
Godet

Liter )  
Litres ) 2300  
Litres )

371

8779

1	3094 537 M91		1	Schaufel	Bucket	Godet
2		1	→ 3094 537 M91	1	Schaufel	Godet
3	2907 625 M1		1	8	Buchse	Bush
4	3094 510 M2		1	1	Schneide	Blade
5	3094 512 M1		1	1	Schneide rechts	Blade r-h
6	3094 511 M1		1	1	Schneide links	Blade l-h
7	3094 532 M1		1	2	Kufe	Skid
8	2950 088 M1			2	Anschlag	Stop
9	2952 086 M91			8	Zahn	Tooth
10	2943 147 M1		± 0,5 mm	X	Scheibe	Washer
11	2943 148 M1		± 1,5 mm	X	Scheibe	Washer
12	1444 101 X1			16	Schraube	Screw
13	1443 758 X1			16	Mutter	Nut
14	2907 708 M1			8	Zahn	Tooth
15	2907 709 M1			8	Hülse	Sleeve
16	2907 710 M1			8	Halte teil	Holder
17	2952 092 M91			1	Verlängerung	Extension
						Porte balai
						Rallonge

GREIFERSCHAUFEL CLAMSHELL BENNE PRENEUSE
--

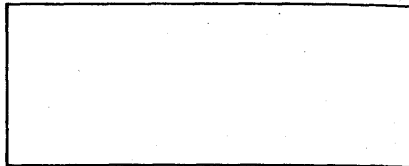
LITER ) LITRES ) 1900 LITRES )
--------------------------------------

8780

- 1 3084 867 M91     👁 383
- 2 2907 625 M1
- 3 3085 179 M1
- 4 1444 692 X1
- 5 2891 952 M1
  
- 6 339 123 X1
- 7 1444 329 X1
- 8 1885 086 M91     👁 387

- 1 GREIFERSCHAUFEL. CLAMSHELL..... BENNE PRENEUSE..
- 8 BUCHSE..... BUSH..... BAGUE.....
- 2 SCHLAUCH..... HOSE..... DURITE EAU.....
- 2 SCHNEIDRING..... OLIVE..... OLIVE.....
- 2 SCHELLE..... CLIP..... CIRCLIP.....
  
- 1 SCHRAUBE..... SCREW..... VIS.....
- 1 MUTTER..... NUT..... ECROU.....
- 2 ZYLINDER..... CYLINDER..... VERIN.....

BAUMKLAMMER  
LONGWOOD GRAPPLE  
PINCE POUR TRONCS



5276

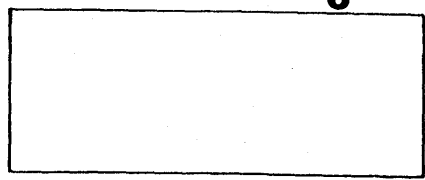
- 1 3086 613 M91 (A)
- 2 3085 179 M1
- 3 1444 692 X1

- 1 BAUMKLAMMER..... LONG WOOD GRAPPL PINCE POUR TRONC
- 2 SCHLAUCH..... HOSE..... DURITE EAU.....
- 2 SCHNEIDRING..... OLIVE..... OLIVE.....

(A) ERSATZTEILLIEFERANT  
 REPAIR PART SUPPLIER  
 FOURNISSEUR DES PIECES DE REPARATION

) W. JONQUET S.A.  
 ) 30380 ST. CHRISTOL-LES-ALES (FRANCE)  
 ) TELEX NO. 490908F.

ANLASSPERRE, AKUSTISCHE ROCKFAHRWARNANLAGE  
 NEUTRAL-LOCK, BACK-UP ALARM  
 BLOCAGE, POINTNEUTRE, AVERTISSEUR DE RECUL  
 FERMO PER MACCHINA A FOLLE, ALLARME PER MACIA INDIETRO  
 BLOQUEO DE ARRaque, AVERTIDOR SONORO MARCHA ATROS



4995

1	2949 074 M1		1	SCHALTER.....	SWITCH.....	CONTACTEUR.....
					INTERRUPTORE	INTERRUPTOR
2	2972 574 M91		1	MIKROSCHALTER...	MICRO SWITCH....	MICRO CONTACTEUR
					MICRO INTERRUPTO	INTERRUPTOR MICR
3	3072 435 M1		1	KAPPE.....	CAP.....	CHAPEAU.....
					CAPPELLOTTO	TAPON
4	3072 333 M91		1	ABDECKUNG.....	COVER.....	COUVERCLE.....
					COPERCHIO	CUBIERTA
5	391 074 X1		2	SCHRAUBE.....	SCREW.....	VIS.....
					VITE	TORNILLO
6	1443 791 X1		2	FEDERRING.....	LOCK WASHER.....	RONDELLE FREIN..
					ROSETTA ELASTICA	ARANDELA SEGUR
7	3086 222 M91		1	MIKROSCHALTER...	MICRO SWITCH....	MICRO CONTACTEUR
					MICRO INTERRUPTO	INTERRUPTOR MICR
8	3072 435 M1		1	KAPPE.....	CAP.....	CHAPEAU.....
					CAPPELLOTTO	TAPON
9	5281597	(A)	1	KABELTOLLE.....	CABLE SLEEVE....	MANCHON DE CABLE
					PASSACAVO	FUNDA DE CABLE
10	1444 012 X1		2	HULSE.....	SLEEVE.....	MANCHON.....
					MANICOTTO	MANGON
11	2877 394 M1		2	VERBINDUNG.....	CONNECTION.....	CONNEXION.....
					RACCORDO	VARILLA CONEX
12	2977 632 M91		1	KABEL.....	CABLE.....	CABLE.....
					CAVO	CABLE
13	3071 753 M91		1	KABEL.....	CABLE.....	CABLE.....
					CAVO	CABLE
14	2999 795 M1		1	STECKER.....	ELECTRICAL PLUG.	PRISE ELECTRIQUE
					PRESA DI CORRENT	TAPON ELECTRICO
15	15001878	(A)	1	.....	ALARM-	
					REVERSE .....	
16	186285	(A)	2	.....	BOLT .....	
17	108580	(A)	2	.....	LOCKWASHER...	
18	102635	(A)	2	.....	NUT .....	
19	117958	(A)	1	.....	GROMMET .....	
20	15015397	(A)	1	.....	CABLE .....	
21	178551	(A)	1	.....	LOCKWASHER...	

(A) For TEREX application — order by TEREX part number listed.

DREHZAHLMESSER  
 REVOLUTION COUNTER  
 COMPTE-TOURS

411

9531

1 2962 883 M91  
 2 2865 401 M92  
 3 2977 306 M1  
 4 2963 655 M1  
 5 2871 772 M1  
  
 6 2868 216 M1  
 7 2868 214 M1  
 8 2872 748 M91  
 9 1443 791 X1  
 10 390 916 X1

1 ARMATURENBLECH..M INSTRUMENT PANEL TABLEAU DE BORD.  
 1 DREHZAHLMESSER.. REV INDICATOR... COMPTE TOURS....  
 1 ANTRIEBSWELLE... DRIVE SHAFT..... ARBRE DE CDE....  
 3 BAND..... BAND..... BANDE.....  
 1 WINKELGETRIEBE.. ANGLE DRIVE..... RENVOI D ANGLE..  
  
 1 RING..... RING..... ANNEAU.....  
 1 HOHLSCHRAUBE.... BANJO BOLT..... VIS BANJO.....  
 1 HALTETEIL..... HOLDER..... PORTE BALAI.....  
 2 FEDERRING..... LOCK WASHER..... RONDELLE FREIN..  
 2 SCHRAUBE..... SCREW..... VIS.....

CLICK HERE TO **DOWNLOAD** THE COMPLETE MANUAL

- Thank you very much for reading the preview of the manual.
- You can download the complete manual from: [www.heydownloads.com](http://www.heydownloads.com) by clicking the link below



- Please note: If there is no response to CLICKING the link, please download this PDF first and then click on it.

CLICK HERE TO **DOWNLOAD** THE COMPLETE MANUAL