

Manitowoc Cranes MACHINE COMPONENT INDEX

Date: Nov 09, 2011

Rev: 003

<u>Model Number</u> RT765E-2		<u>Serial Number</u> 232298	
Item	Part	Description	Page
		BOOM	
1	80028160	BOOM ASSEMBLY	9
	80028167	CYL ASSEMBLY 6.00" BORE TELE	17
	80028166	CYL ASSEMBLY 6.00" BORE TELE	21
2	80029930	BOOM PIVOT SHAFT INSTALLATION	23
2	3486000212	WEIGHT AND CHAIN ASSEMBLY (COMPLETE ASSEMBLY)	25
3	2174910167	SHEAVE INSTL - 2 OVER 4	27
	9576101187	KIT - WEAR PAD	33
	80009128	BOOM KIT 2 OVER 4	35
	7718100015	SHEAVE ASSEMBLY - NYLATRON	37
3	3486000212	WEIGHT AND CHAIN ASSEMBLY (COMPLETE ASSEMBLY)	39
4	80033176	HOOKBLOCK 60 T (65 US TON)	41
5	2174910219	EXTENSION INSTALLATION - FOLDING OFFSETABLE JIB BOOM	45
	2174910220	EXTENSION ASSEMBLY - FOLDING OFFSETABLE BOOM (COMPLETE ASSEMBLY)	47
	2174910174	EXTENSION ASSEMBLY - BOOM FLY (COMPLETE ASSEMBLY)	51
	6718000580	SHEAVE ASSEMBLY - COMPLETE	53
	7718100017	SHEAVE ASSEMBLY (COMPLETE ASSEMBLY)	55
	2174910207	MAST ASSEMBLY (COMPLETE ASSEMBLY)	57
	7718100017	SHEAVE ASSEMBLY (COMPLETE ASSEMBLY)	59
	2174910179	ALIGNMENT INSTALLATION - BOOM EXTENSION (NOT AVAILABLE AS ASSEMBLY)	61
5	7053100022	BALL ASSEMBLY - OVERHAUL (COMPLETE ASSEMBLY)	63
6	2174910218	CARRIER INSTALLATION - EXTENSION (WITH STINGER)	65
8	7826000641	SOCKET, 3/4" OPEN WEDGE	69
9	80024483	LMI BOOM KIT - IFLEX2	73
	9333101437	ROLLER GUIDE ASSEMBLY	75

CLICK HERE TO **DOWNLOAD** THE COMPLETE MANUAL

- Thank you very much for reading the preview of the manual.
- You can download the complete manual from: www.heydownloads.com by clicking the link below



- Please note: If there is no response to CLICKING the link, please download this PDF first and then click on it.

CLICK HERE TO **DOWNLOAD** THE COMPLETE MANUAL

Manitowoc Cranes MACHINE COMPONENT INDEX

Date: Nov 09, 2011

Rev: 003

<u>Model Number</u> RT765E-2		<u>Serial Number</u> 232298	
Item	Part	Description	Page
	80033752	DECAL INSTALL-STANDARD CARRIER	799
	80033753	DECAL INSTALL-STANDARD SS	803
	80033754	DECAL INSTALL-STANDARD BOOM	807
2	80033645	DECAL INSTALL-NOMENCLATURE	811
7	RT765E-2 DE003	RT765E-2 DE003	813
10	80028327	DECAL INSTL-RT765E-2	815
	80029774	DECAL INSTALLATION-RT700E4 FOREIGN STANDARD	825
	80033750	DECAL INSTALLATION-STANDARD	827
	80033751	DECAL INSTALLATION-STANDARD CAB	831
	80033752	DECAL INSTALL-STANDARD CARRIER	835
	80033753	DECAL INSTALL-STANDARD SS	839
	80033754	DECAL INSTALL-STANDARD BOOM	843
	80033645	DECAL INSTALL-NOMENCLATURE	847
	80033756	DECAL INSTL-RT765E-2-ES	853
	6376100550	DECAL INSTL SUPPLEMENTAL	857
	6376200325	DECAL INSTALLATION - RT700E2 COUNTERWEIGHT REMOVAL (POLISH)	859
12	6376100254	HARDWARE KIT - DECAL	861

Manitowoc Cranes

Description
BOOM ASSEMBLY

Assembly No.
80028160
Revision: **C**

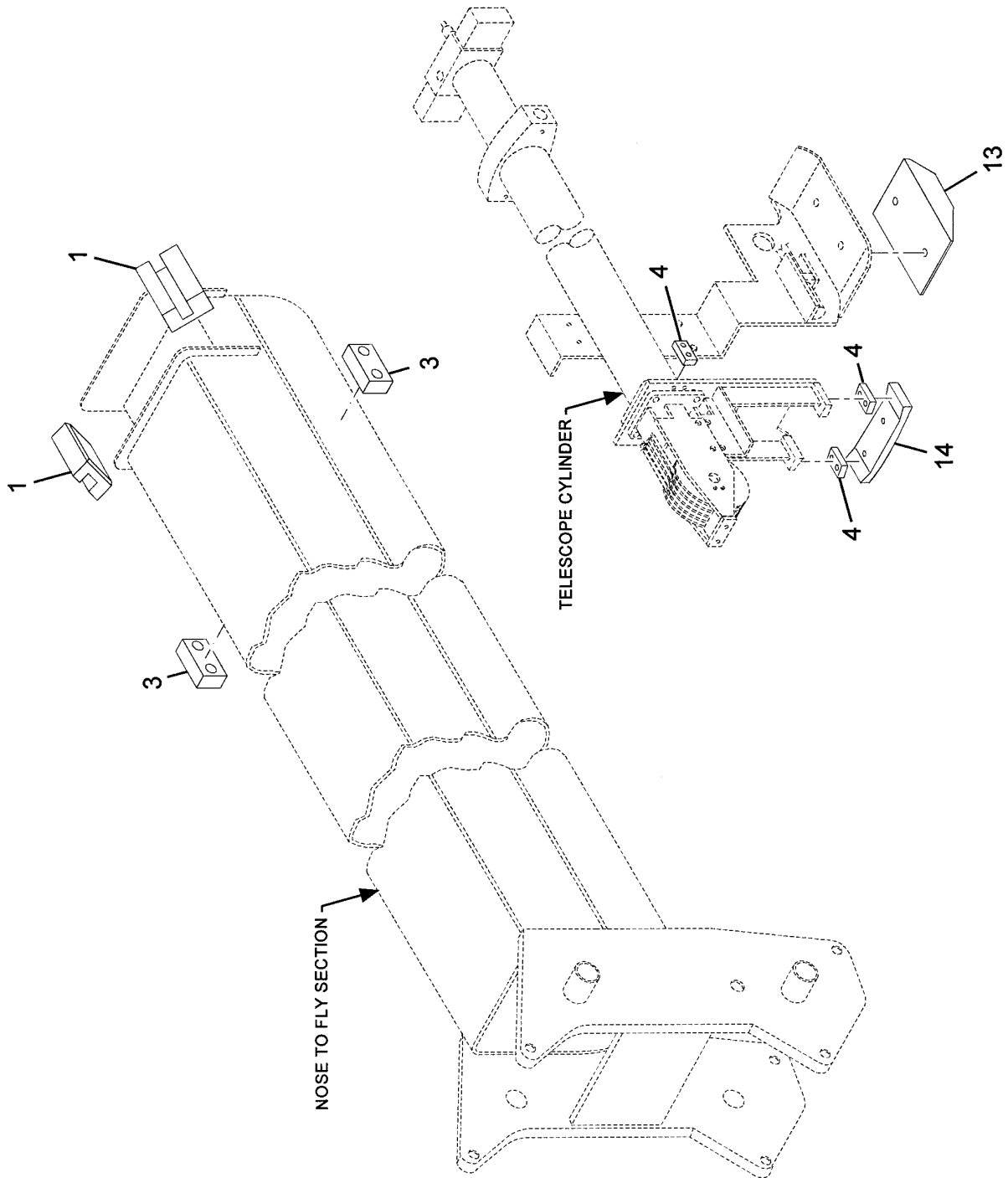
Item	FN	Part	Qty	Description
1		80028158	1	BASE SECTION
2		2174910170	1	INNER MID SECTION
3		2174910115	1	SECTION, OUTER MID
4		80039160	1	TELE 3
5	+	80028167	1	CYL ASSEMBLY 6.00" BORE TELE
6	+	80028166	1	CYL ASSEMBLY 6.00" BORE TELE
7		7671100023	1	PAD, UPPER -USE AS REQUIRED
8		7910100816	1	TUBE ASSY (TELE PISTON)
9		7910100817	1	TUBE ASSY (TELE ROD)
10		7300000271	4	CLAMP, PIPE 1 1/2" I.D.
11		7324000076	4	INSERT, BOLT
12		7099000411	4	CAP SCREW,
13		7447161603	2	ELBOW, 90 DEGREE MALE INCLUDES THE FOLLOWING PARTS
		7755021002	1	O-RING
		7755916002	1	O-RING
15		7118221650	24	CAP SCREW, 3/4" - 10 N.C. X 2" GRADE 8
16		7949000236	40	FLAT WASHER, 3/4"
17		4174910104	4	PLATE, MOUNTING
18		80016994	2	SHEAVE SUPPORT CASTING
19		7246100072	2	CABLE, RETRACTION
20		80016992	2	SHAFT
21		7118150550	6	CAP SCREW, 5/16" - 18 N.C. X 5/8" GRADE 8
22		7949000534	8	WASHER, HARDENED ROUND
23		7671100024	1	PAD, WEAR -USE AS REQUIRED
24		7115151050	4	CAP SCREW, 5/16" - 18 N.C. X 1 1/4" GRADE 5
25		7440000000	9	FITTING, 1/8 STRAIGHT GREASE
26		6718001089	2	WHEEL, SHEAVE

+ SEE FURTHER BREAKDOWN THIS GROUP

Manitowoc Cranes

Notes

Manitowoc Cranes



Manitowoc Cranes

Description

WEIGHT AND CHAIN ASSEMBLY (COMPLETE ASSEMBLY)

Assembly No.

3486000212

Revision:

Item	FN	Part	Qty	Description
1		9333101840	1	CLEVIS
2		9333101921	1	CHAIN ASSEMBLY
3		9333101922	3	CLAMP, CHAIN
4		9333101923	2	EYEBOLT
5		9333101916	2	PIN, COTTER
6		9333101924	1	WEIGHT, FEMALE
7		9333101925	1	WEIGHT, MALE

Manitowoc Cranes

Description

**EXTENSION ASSEMBLY - FOLDING OFFSETABLE BOOM
(COMPLETE ASSEMBLY)**

Assembly No.

2174910220

Revision: H

Item	FN	Part	Qty	Description
131		7115161078	2	SCREW, FLANGE 3/8" - 16 N.C. X 1 1/4" GRADE 5
132		6671000265	1	PAD, WEAR
133		7111180607	2	SCREW, MACHINE 1/2" - 13 N.C. X 3/4" GRADE 1
134		2174910095	1	RAMP
135		6671000246	1	PAD, WEAR
136		4184900665	2	SHIM,
137		7111140407	2	SCREW, MACHINE 1/4" - 20 N.C. X 1/2" GRADE 1
139		7689001756	1	PIN
142		7601000955	1	S-HOOK, STANDARD
143		9286100001	1	CHAIN 3' PC. (MUST CUT TO LENGTH NEEDED)

Manitowoc Cranes

Description

SHEAVE ASSEMBLY (COMPLETE ASSEMBLY)

Assembly No.

7718100017

Revision: #

Item	FN	Part	Qty	Description
1		7718100016	1	SHEAVE 3/4 ROPE
2		7794000272	2	CUP, BEARING
3		7069000183	2	CONE, BEARING
4		7069000175	2	CLOSURE, BEARING
5		7440000000	1	FITTING, 1/8 STRAIGHT GREASE

Manitowoc Cranes

Description

SOCKET, 3/4" OPEN WEDGE

Assembly No.

7826000641

Revision:

Item	FN	Part	Qty	Description
1		NSS	1	SOCKET
2		9826100013	1	WEDGE
3		9826100014	1	PIN
4		9914100044	1	CLIP
5		9086100869	1	PIN, COTTER

Manitowoc Cranes

Description

**FLAG ASSEMBLY - A2B RETAINER
(COMPLETE ASSEMBLY)**

Assembly No.

9333102633

Revision:

Item	FN	Part	Qty	Description
1		9333102373	1	FLAG, RETAINER
2		9333102618	1	DECAL, A2B
3		9333102232	1	LANYARD

Manitowoc Cranes

Description
BOOM EXTENSION KIT

Assembly No.
7598100050
Revision: #

Item	FN	Part	Qty	Description
1		9333102230	1	A2B SWITCH - WITH RETAINER CRIMP
2	+	9333102633	1	FLAG ASSEMBLY - A2B RETAINER (COMPLETE ASSEMBLY)
3		9333102235	6	CONDUIT (CUT TO LENGTH REQUIRED)
4	+	9333102996	1	BOX ASSEMBLY - JUNCTION
5	+	9333102765	1	CONNECTOR ASSEMBLY DUMMY PLUG, 2-PIN
6		9333103776	1	CABLE ASSEMBLY
7		9333103730	1	CLIP, GRIPPER
8	+	9333102768	1	JUNCTION BOX ASSEMBLY - 80MM X 75MM, PG9 + 2-PIN
9		9333102238	1	A2B SWITCH, WITHOUT CRIMP
10		3486000548	1	CABLE ASSEMBLY, JUMPER

+ SEE FURTHER BREAKDOWN THIS GROUP

Manitowoc Cranes

Description
LMI-BOOM INSTALLATION KIT-iFLEX 5

Assembly No.
80022633
Revision: #

Item	FN	Part	Qty	Description
61		7115160850	4	CAP SCREW, 3/8" - 16 N.C. X 1" GRADE 5
62		7950160161	4	WASHER, FLAT WIDE 3/8
63		7950160050	4	WASHER, LOCK 3/8" I.D.
65		7110151605	2	CAP SCREW, 5/16" -18 N.C. X 2" GRADE 1
66		7110080605	2	CAP SCREW, 5/32" - 32 N.C. X 3/4" GRADE 1
67		7300000102	2	CLAMP, TUBING 5/8" I.D.
68		7950140141	15	WASHER, FLAT 1/4" PLAIN NARROW
69		7950140050	15	WASHER, LOCK 1/4"
70		7660140000	15	NUT, HEX 1/4" - 20 N.C.
71		7300000241	1	CLAMP, TUBING 1/8" I.D.
72		7850000805	1	TIE, CABLE (BLACK) 13 3/8" LONG
73		6705017532	1	SHIM,
74		4197910236	1	PLATE, ANTI 2 BLOCK
75		7690102410	1	PIN, COTTER 3/16" X 1 1/2"
76		7850000237	1	TIE, CABLE (BLACK) 7 5/16" LONG
77		7950150141	2	WASHER, FLAT 5/16"
78		7950150050	2	WASHER, LOCK 5/16" I.D.
79		7660150000	2	NUT, HEX 5/16" - 18 N.C.
80		7300100021	13	TUBING CLAMP - 3/16

Manitowoc Cranes

Description
KIT, LMI S/S IFLEX 5

Assembly No.
7598100092
Revision: #

Item	FN	Part	Qty	Description
1		9333103870	1	PRESSURE TRANSDUCER, iFLEX 5 (2 PACK)
2		9333101471	2	FITTING, BULKHEAD ADAPTER 9/16-18 JIC
3		9333101472	2	SEAL, CUTTING

Manitowoc Cranes

Description
LMI CAB KIT, IFLEX2, EXPERT

Assembly No.
80023913
 Revision: #

Item	FN	Part	Qty	Description
1		9333107524	1	CENTRAL UNIT ASSEMBLY - iFLEX2 (COMPLETE ASSEMBLY) INCLUDES THE FOLLOWING PARTS
		90011561	1	FUSE,2A
		90011563	1	FUSE,7.5A
		90011562	1	FUSE,15A
2		9333107526	1	CONSOLE ASSEMBLY - GRAPHIC (COLOR) (COMPLETE ASSEMBLY) INCLUDES THE FOLLOWING PARTS
		90016149	1	KNOB
3		80023914	1	HA, LMI iFLEX2
4		80008201	1	CABLE, CAN BUS M12 SHLD 3m
5		80023931	1	LMI 8-PORT CANBUS BOX

Manitowoc Cranes

Description

**SWING BOX ASSEMBLY - MODEL PG702 PS
(COMPLETE ASSEMBLY)**

Assembly No.

7576134156

Revision:

Item	FN	Part	Qty	Description
53		7709800001	1	PLUG, SAE #4
		7755904002	1	INCLUDES THE FOLLOWING PARTS O-RING
54	@	NSS	2	DISK, FRICTION
55	@	NSS	2	DISC, BRAKE
56	@	NSS	1	KIT, SHIM
57		9576101140	1	RING,RETAINER
58	-	NSS	2	O-RING
59		9576101141	4	PLUG
60		9576101142	1	PLATE,END
61	-	NSS	2	O-RING
62		9576101143	2	PIN
63		9576101144	1	PLATE,END
64		9576101323	1	FLANGE, OUTPUT LOCKING
65		9576101324	1	RING, RETAINER
66		9576101325	1	O-RING
67		9576101326	1	SPACER
69		9576101148	3	CAPSCREW
70		9576101149	2	PIPE
71		9576101150	1	PLUG
72		9576101154	1	PLUG
73		9576101151	1	DIPSTICK
74		9576101152	1	ELBOW
75		9576101100	2	CAPSCREW
76		9576101189	1	BREATHER
77		9576101327	2	PLUG
80		9576101155	1	CARRIER ASSY. 1ST. STAGE INCLUDES ITEMS 21,22,24,27,28 30,31 AND 60
81		9576101156	1	CARRIER ASSY. 2ND. STAGE INCLUDES ITEMS 13,15,16,17, 18 20 AND 63

@ SECOND REPAIR KIT AND/OR PART OF 2ND KIT

- THIRD REPAIR KIT AND/OR PART OF 3RD KIT

Manitowoc Cranes

Description

SWIVEL INSTALLATION HYDRAULIC, WATER, ELECTRIC & A/C

Assembly No.

80019470

Revision: #

Item	FN	Part	Qty	Description
50	+	80019469	1	SWIVEL ASSEMBLY HYDRAULIC, WATER, ELECTRIC & A/C
51		6199100036	4	BUSHING
52		7126294150	4	HHCS M24x300 -8.8 ISO 4014
53		7949000359	4	WASHER, 1" I.D. HARDENED ROUND

+ SEE FURTHER BREAKDOWN THIS GROUP

Manitowoc Cranes

Notes

Manitowoc Cranes

Notes

Manitowoc Cranes

Description
DIRECTIONAL CONTROL VALVE

Assembly No.
80019226
Revision:

Item	FN	Part	Qty	Description
1		9926112017	1	VALVE ASSY. INLET SECTION INCLUDES ITEMS 101 AND 102
2		9926112454	1	VALVE ASSY. WORK SECTION STEER, INCLUDES ITEMS 201 THRU 209
3		9926112455	1	VALVE ASSY. WORK SECTION SWING, INCLUDES ITEMS 301 THRU 316
4		9926112020	1	VALVE ASSY. OUTLET SECTION INCLUDES ITEM 401
5		9926111411	4	NUT
6		9926112001	2	ROD, TIE LOWER
7		9926111410	2	NUT
8		9926111995	1	ROD, TIE UPPER
9		90019768	1	VALVE ASSY. CART RELIEF INCLUDES THE FOLLOWING PARTS
		9926111469	2	O-RING
		9926111470	1	SEAL-SPECIAL
10		90019769	2	VALVE ASSY. CART RELIEF INCLUDES THE FOLLOWING PARTS
		9926111932	1	O-RING, VITON
		9926111931	1	O-RING, VITON
101		NSS	1	HOUSING, INLET
102	*	NSS	1	O-RING, INCLUDED WITH ITEM 1 OR THE SEAL KIT
201		NSS	1	HOUSING, WORK SECTION
202		NSS	1	SPOOL
203		90019770	2	CAP, SPOOL
204		7755016000	2	O-RING
205		9926111416	2	CAP, RETAINER
206		9926111964	1	SPRING
207		9926111415	4	CAP SCREW,
208	*	NSS	1	O-RING

* REPAIR KIT AND/OR PART OF KIT

Manitowoc Cranes

Description

HYDRAULIC LINES INSTALLATION-SS SUPPLY, PRESSURE AND RETURN

Assembly No.

80035069

Revision: **D**

Item	FN	Part	Qty	Description
		7755012002	1	INCLUDES THE FOLLOWING PARTS O-RING
652		7447060601	3	ADAPTER, STRAIGHT MALE INCLUDES THE FOLLOWING PARTS
		7755012002	1	O-RING
		7755906002	1	O-RING
653		7447060635	2	TEE, BRANCH INCLUDES THE FOLLOWING PARTS
		7755012002	1	O-RING
654		7443100140	1	COUPLING, 3/8" TEST PORT INCLUDES THE FOLLOWING PARTS
		9447100041	1	CAP, DUST - DIAGNOSTIC
655		7555212200	1	3/8" I.D. HYD HOSE ASSY STR B
656		7555210700	1	3/8" I.D. HYD HOSE ASSY STR B
657		7447040603	2	FITTING, 90 DEGREE INCLUDES THE FOLLOWING PARTS
		7755011002	1	O-RING
		7755906002	1	O-RING

Manitowoc Cranes

Description
19MM ROPE 35X7X153M

Assembly No.
7782191532
Revision:

Item	FN	Part	Qty	Description
1		NSS	1	HOIST CABLE - PART NUMBER IS 7782191532

Manitowoc Cranes

Description

MAIN & AUX HOIST INSTALLATION

Assembly No.

80036741

Revision: **A**

Item	FN	Part	Qty	Description
1	+	80036733	2	HOIST ASSEMBLY-GHP30A
3		6705004263	1	SHIM (.1250") -USE AS REQUIRED
4		6705004264	1	SHIM (.0598") -USE AS REQUIRED
5		6705004265	1	SHIM (.0359") -USE AS REQUIRED
6		7126342650	8	CAP SCREW, M30X100 HEX HEAD
7		7951340014	8	FLAT WASHER, 30 ST
8		7661340003	8	NUT, THK HEX (30 MM)

+ SEE FURTHER BREAKDOWN THIS GROUP

Manitowoc Cranes

<u>Description</u> HOIST ASSEMBLY-GHP30A				<u>Assembly No.</u> 80036733 Revision:
Item	FN	Part	Qty	Description
216		9974103035	1	PLUG
342		NSS	1	RACE, OUTER
343		9576100566	1	RING, RETAINING
344		9974103032	2	BEARING
346		NSS	1	CLUTCH SPRAG
347		9974103033	2	RING, RETAINER
350		NSS	1	RACEE, INNER
426		NSS	1	HOUSING, CARRIER
427		90019780	3	GEAR ASSY.
428		90019781	3	SHAFT ASSY.
429		9974103003	6	WASHER, THRUST
430		9974101174	57	BEARING, ROLLER
431		9974102718	3	PIN
447		9974102191	1	RING, RETAINING
457		9974103019	1	GEAR, SUN/OUTPUT
501		9974103002	3	SPACER
534		NSS	1	HOUSING, CARRIER
535		90019782	3	GEAR ASSY.
536		90019783	3	SHAFT ASSY.
537		9974103003	6	WASHER, THRUST
538		9974100902	114	BEARING, ROLLER
539		9974102718	3	PIN
677		90021272	1	HYD. MOTOR ASSEMBLY INCLUDES THE FOLLOWING PARTS
		9632103304	1	SOLENOID VALVE ASSY
		9632103305	1	CONNECTOR
678		9974103036	1	MANIFOLD
679		9974103053	1	VALVE ASSY. BRAKE
681		9974102982	4	CAPSCREW
683	*	9974102681	2	O-RING SEAL KIT ONLY HAS QTY. OF 1 O-RING. YOUR REQUIRED TWO FOR THIS ASSEMBLY

* REPAIR KIT AND/OR PART OF KIT

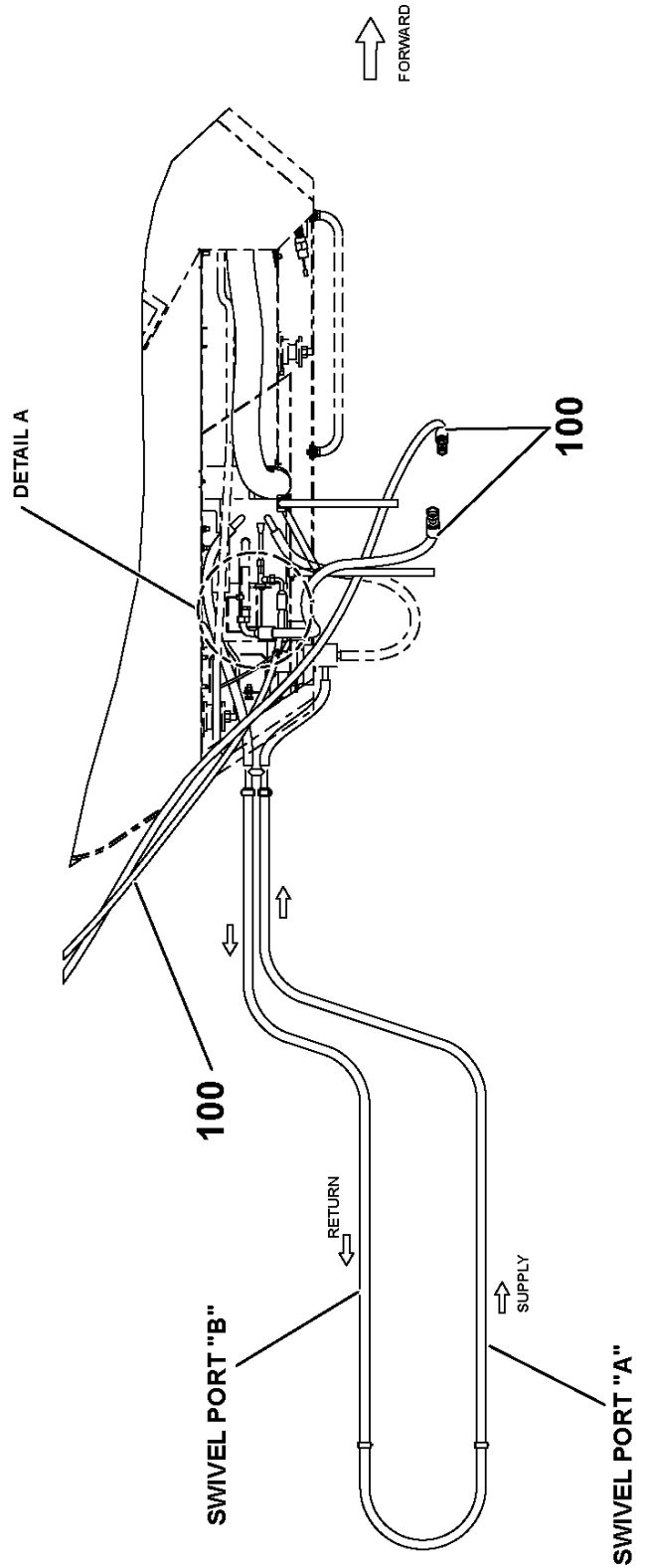
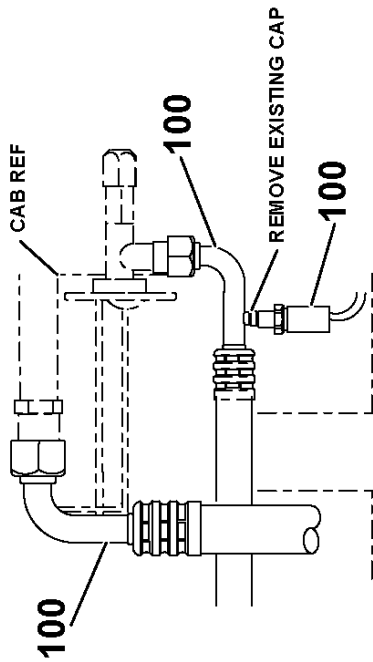
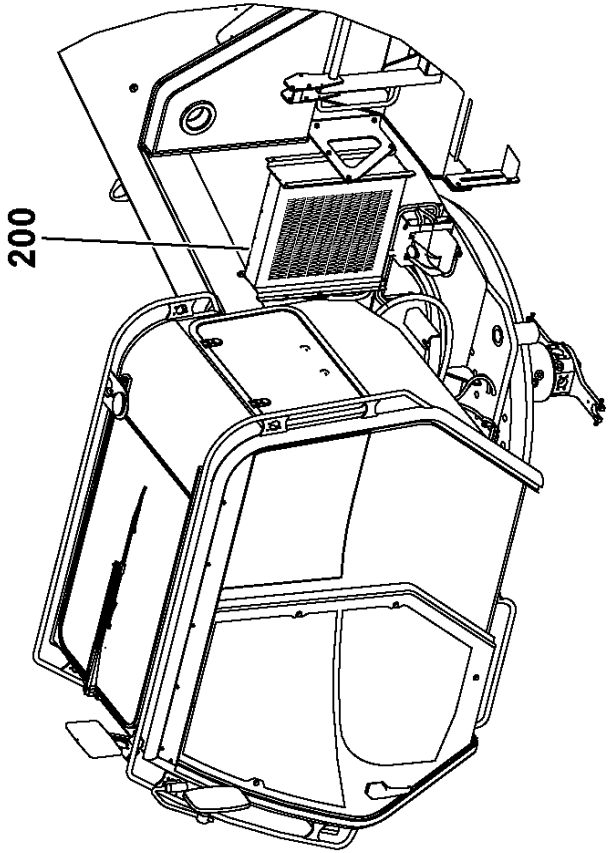
Manitowoc Cranes

Description
HYDRAULIC LINES INSTALLATION SWING

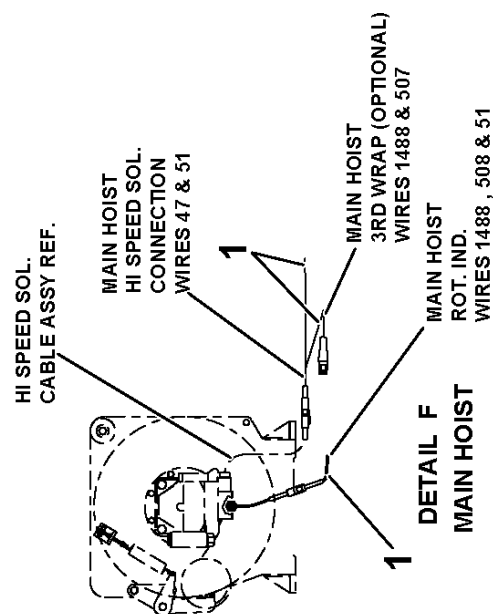
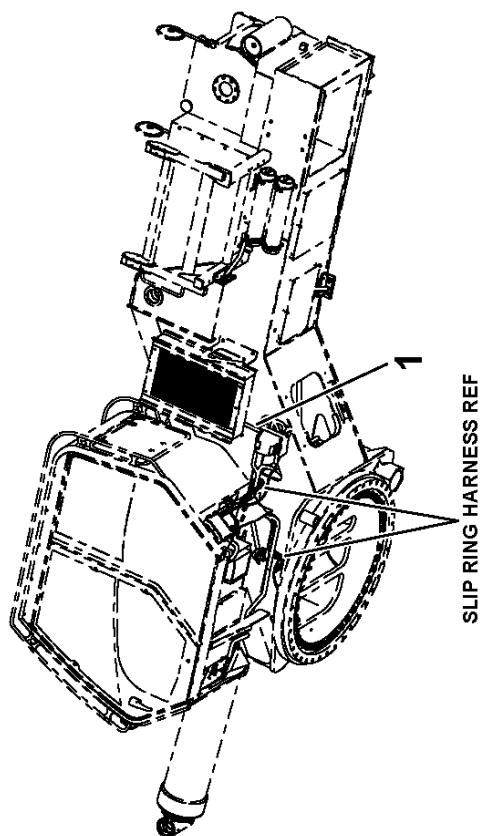
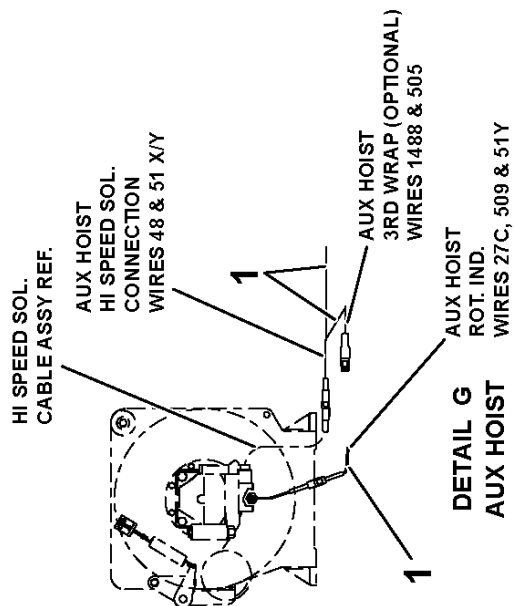
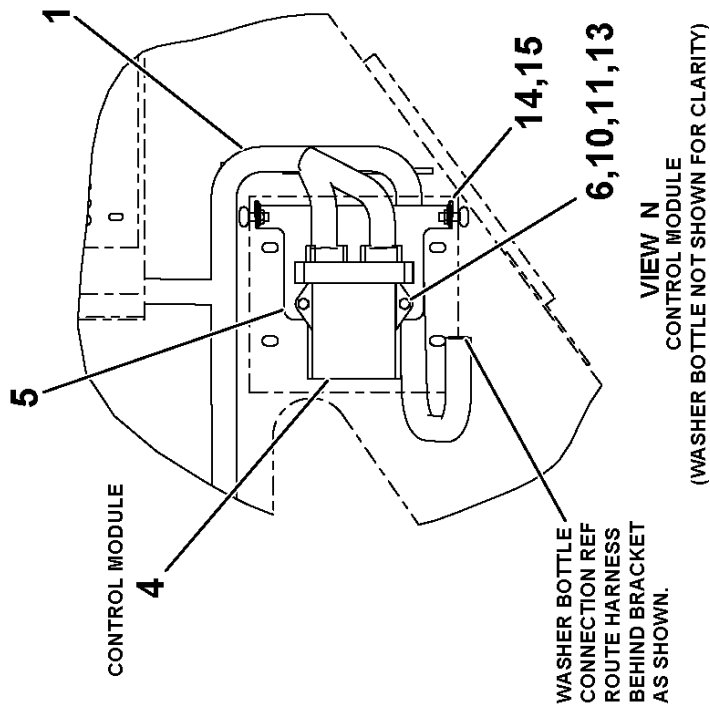
Assembly No.
80019201
 Revision: **B**

Item	FN	Part	Qty	Description
101		7447040601	3	ADAPTER, STRAIGHT INCLUDES THE FOLLOWING PARTS
		7755011002	1	O-RING
		7755906002	1	O-RING
102		7561113702	1	1/4" I.D. X 137"
103		7561113702	1	1/4" I.D. X 137"
106		7555117501	1	HOSE ASSY
107		7555117501	1	HOSE ASSY
108		7555114401	1	1/4" I.D. X 144"

Manitowoc Cranes



Manitowoc Cranes



Manitowoc Cranes

Description

HARNESS ASSEMBLY-SUPERSTRUCTURE RT700ET4

Assembly No.

80023124

Revision: **M**

Item	FN	Part	Qty	Description
61		7826100016	21	SOCKET, DEUTSCH 22/20 GA NI
62		7364001682	2	CONNECTOR, 2 CONDUCTOR TOWER WITH SEAL
63		7364001683	2	CONNECTOR, 2 CONDUCTOR SHROUD
64		7892000257	4	TERMINAL, GREEN CAVITY SEAL
65		7364001847	4	TERMINAL, FEMALE SLEEVE
66		7892000256	4	TERMINAL, BLUE CABLE SEAL
67		7709100895	2	PLUG, 4 SOCKET
68		7892100039	2	RECEPTACLE, DTM04-4P
69		7172000568	2	BOOT, CONNECTOR

Manitowoc Cranes

Description

VALVE ASSEMBLY - 3/4 HOLDING (COMPLETE ASSEMBLY)

Assembly No.

7926101011

Revision:

Item	FN	Part	Qty	Description
1		NSS	1	MANIFOLD, VALVE
2		90011748	1	VALVE, CART.SEQUENCE @5200 PSI
3		9926113147	1	INCLUDES THE FOLLOWING PARTS KIT, SEAL
4		9926113144	1	VALVE, CART. COUNTER BALANCE
4		9926113146	1	INCLUDES THE FOLLOWING PARTS KIT, SEAL
		90011746	1	O-RING

Manitowoc Cranes

Description

HOIST ACCESS PLAT.- CWT COMPS.

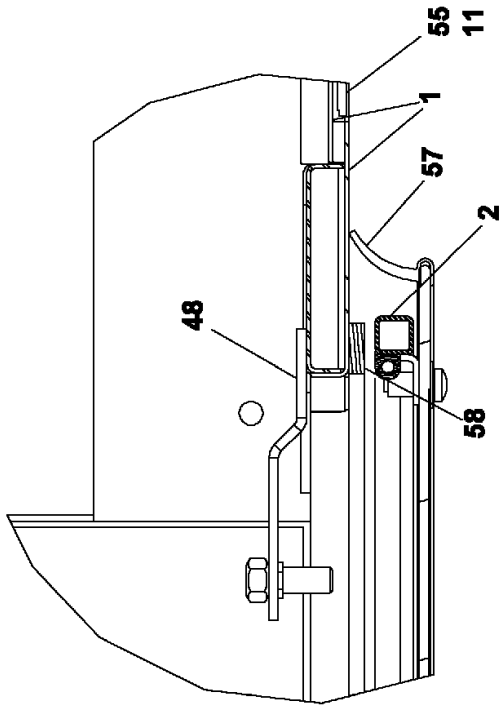
Assembly No.

80018971

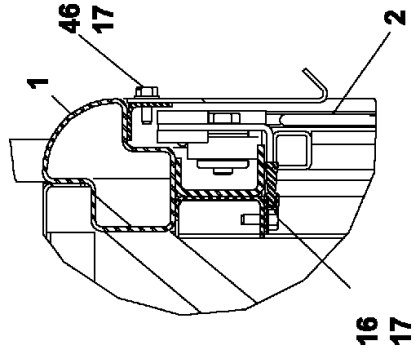
Revision: **A**

Item	FN	Part	Qty	Description
55		7690225600	2	PIN, CLEVIS 3/4" X 3 1/2"
56		7690051610	5	PIN, COTTER 1/8" X 1"
57		80018136	4	ELEVATOR BOLT
58		7660160200	4	NUT, HEX JAM 3/8" - 16 N.C.
59		80003719	5	PIPE PLUG 1" PIPE
60		7689001881	3	BALL DETENT PIN
61		7115160850	6	CAP SCREW, 3/8" - 16 N.C. X 1" GRADE 5
62		7950160141	12	WASHER, 3/8" PLAIN NARROW
63		7950160050	12	WASHER, LOCK 3/8" I.D.
64		80018527	4	SPACER PLATE
65		7115161650	6	CAP SCREW, 3/8" - 16 N.C. X 2" GRADE 5

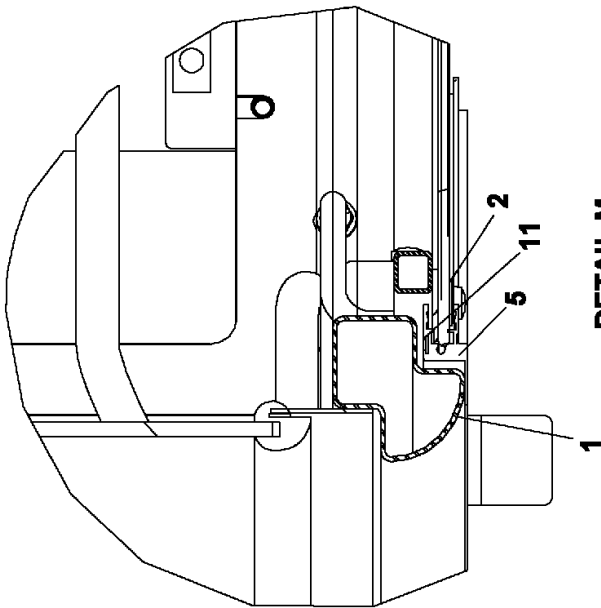
Manitowoc Cranes



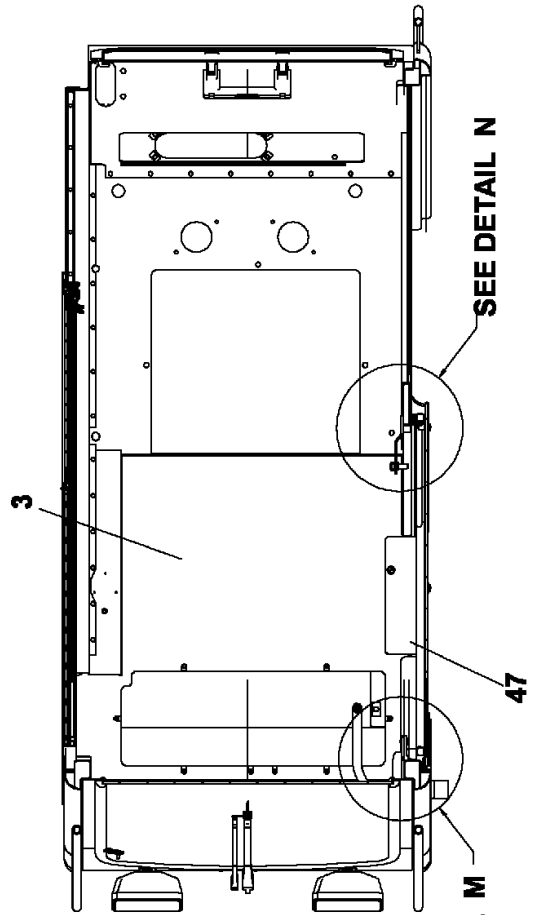
DETAIL N



DETAIL P



DETAIL M



SECTION C-C

Manitowoc Cranes

Notes

Manitowoc Cranes

Description
WIPER KIT - FRONT 12 VOLT

Assembly No.
80007089
 Revision:

Item	FN	Part	Qty	Description
1		90012810	1	MOTOR ASSY. 12V.
2		90011813	1	LINK, DRIVE ARM
3		90000996	1	SHAFT, PIVOT
4		90011815	1	ARM, WIPER/WET 26"
5		9576101347	1	BLADE, WIPER 34"
6		90000908	1	ADAPTER
7		90011814	1	LINK, 13.5" LG
8		90000992	1	KIT, HARDWARE
9		7892000824	1	RECEPTACLE, 6 PIN
10		7689000704	5	PIN, 16 - 14 GA
11		7689000503	1	PLUG, SEALING 16 - 12 AWG

Manitowoc Cranes

Description

SUPERSTRUCTURE CAB - 12V MISCELLANEOUS PARTS INSTALLATION

Assembly No.

80009865

Revision: **B**

Item	FN	Part	Qty	Description
1		7025100013	1	HORN
2		7348000667	1	EXTINGUISHER, FIRE
		7348000669	1	INCLUDES THE FOLLOWING PARTS BRACKET
3		7486000225	1	LEVEL, CIRCULAR
4		7850000046	1	STRAP, GROUND
5		7949001149	1	FITTING, WASHER NOZZLE
6		7543000685	1	HOSE - USE 9543100045 QTY 1 HOSE 13'
7		7111040610	3	SCREW, MACHINE 7/64" - 40 N.C. X 3/4" GRADE 1
8		7126171150	1	CAP SCREW, M8 X 20MM HEX HEAD
9		7661170003	1	NUT
10		7951170210	1	WASHER, LOCK 8MM
11		7951170014	1	WASHER, FLAT #8
12		7660100000	2	NUT, HEX 3/16" - 32 N.F. GRADE 1
13		7111100411	2	SCREW, MACHINE 3/16" - 24 N.C. X 1/2" GRADE 1
14		7950100350	2	LOCK WASHER, 3/16" I.D.
15		7950100141	2	WASHER, FLAT, #10
16		7950160050	1	WASHER, LOCK 3/8" I.D.
17		7950160141	1	WASHER, 3/8" PLAIN NARROW
18		7660160000	1	NUT, HEX 3/8" - 16 N.C.
19		7115161050	1	CAP SCREW, 3/8" - 16 N.C. X 1 1/4" GRADE 5
20		7950160350	2	WASHER, LOCK 3/8" I.D.
21		7242000027	1	PLUG
22		7242000007	1	BUTTON, PLUG 3/4"

Manitowoc Cranes

Description

**VALVE ASSEMBLY - TREADLE (SWING BRAKE)
(COMPLETE ASSEMBLY)**

Assembly No.

7926100786

Revision:

Item	FN	Part	Qty	Description
1		9926112755	1	PEDAL, FOOT INCLUDES ITEMS 101 THRU 120
2		7447060601	1	ADAPTER, STRAIGHT MALE INCLUDES THE FOLLOWING PARTS
		7755012002	1	O-RING
		7755906002	1	O-RING
3		7447040601	2	ADAPTER, STRAIGHT INCLUDES THE FOLLOWING PARTS
		7755011002	1	O-RING
		7755906002	1	O-RING
4		7709000031	1	O-RING PLUG #6 INCLUDES THE FOLLOWING PARTS
		7755906002	1	O-RING
101		NSS	1	HOUSING, BODY
102		9926112733	2	SPRING
103		NSS	2	SPOOL ASSY.
104		9926112756	1	PIN, LOCKING
105		9926112757	1	O-RING
106		9926112735	1	PLUNGER, ASSY. INCLUDES THE FOLLOWING PARTS
		9926112743	1	KIT, SEAL
107		NSS	1	PLATE, MOUNT
108		9926112758	1	BASE, ROCKER
109		9926112740	2	SCREW
110		9926112740	2	SCREW
111		9926112761	2	PLATE, BOOT
112		9926112762	2	CAPSCREW
113		NSS	1	PEDAL ASSY.
114		9926112763	1	SHAFT
115		9926112764	2	SCREW
116		9926112765	2	NUT
117		9926112766	1	BOOT
118		9926112767	1	PAD, RUBBER
119		9926111101	1	PLUG

Manitowoc Cranes

Description

CONTROL SEAT INSTALLATION SINGLE AXIS WITH AUXILIARY HOIST

Assembly No.

80023940

Revision: #

Item	FN	Part	Qty	Description
100	+	80023941	1	CONTROL SEAT ASSEMBLY SINGLE AXIS WITH AUXILIARY HOIST
101		7798000843	1	SEAT INCLUDES THE FOLLOWING PARTS
		9798100584	1	KNOB
		7872001408	1	SWITCH, SEAT
		9798100585	1	CONTROL, ADJUST - BACK INCLUDES CABLE
102		7950150161	8	WASHER, 5/16" FLAT PLAIN WIDE
103		7950150050	4	WASHER, LOCK 5/16" I.D.
104		7660150008	4	NUT, HEX 5/16" - 18 N.C. GRADE 8
107		8596910076	2	HOSE ASSY, 3" ID FLEXIBLE
108		7300000016	2	CLAMP, HOSE
109		80023851	1	BRACKET, SEAT BAR
110		7659000256	2	NUT, RETAINING 5/16" - 18 N.C.
111		7950150050	2	WASHER, LOCK 5/16" I.D.
112		7115150850	2	CAP SCREW, 5/16" - 18 N.C. X 1" GRADE 5
113		7110151018	2	CAP SCREW, 5/16" - 18 N.C. X 1 1/4" GRADE 1
114		7660150200	2	NUT, JAM 5/16" - 18 N.C. GRADE A
115		7660152701	2	LOCKNUT 5/16" - 18 N.C.

+ SEE FURTHER BREAKDOWN THIS GROUP

Manitowoc Cranes

Description

SINGLE AXIS CONTROLLER

Assembly No.

80005805

Revision:

Item	FN	Part	Qty	Description
1		90013415	2	KIT, LEVER
2		90013416	2	BOOT, RUBBER
3		90013417	4	KIT, METERING SPOOL
4		90013418	4	SPRING, RETURN
5		NSS	1	HOUSING, CONTROLLER
6		90013419	1	KIT, SEAL KIT INCLUDES O-RINGS AND SEALS FOR ALL FOUR METERING SPOOLS, - ITEM NOT SHOWN

Manitowoc Cranes

Description
HEATER & A/C CTRL PANEL (12V)

Assembly No.
80025713
 Revision:

Item	FN	Part	Qty	Description
1		90020642	1	FACEPLATE, LIGHTED 12V.
2		90020643	1	PLATE, BACKING
3		90020644	1	POTENTIOMETER, CONTROL, TEMP.
4		90020645	1	PLATE, MOUNTING
5		90020646	1	SWITCH ASSY. BLOWER
6		90020647	1	SWITCH ASSY. ON/OFF
7		90020648	2	KNOB ASSY.
8		90020649	1	HARNESS ASSY.
9		90020650	2	NUT
10		90020651	2	LOCKNUT
11		90020652	1	KNOB W/SET SCREW
12		7709000811	1	PLUG 8 SOCKET
13		7364100014	1	WEDGE, 8 SOCKET
14		7826000087	8	SOCKET, 16-14 GA

Manitowoc Cranes

Description

DRIVE CONTROLS INSTALLATION

Assembly No.

80019531

Revision: **A**

Item	FN	Part	Qty	Description
1	+	80017219	1	STEERING COLUMN W/ CLUSTER
2	+	7926101003	1	VALVE ASSEMBLY - STEERING CONTROL (COMPLETE ASSEMBLY)
3		7115160850	4	CAP SCREW, 3/8" - 16 N.C. X 1" GRADE 5
4		7950160050	8	WASHER, LOCK 3/8" I.D.
5		7950160141	8	WASHER, 3/8" PLAIN NARROW
6		7660160000	4	NUT, HEX 3/8" - 16 N.C.

+ SEE FURTHER BREAKDOWN THIS GROUP

Manitowoc Cranes

Description
HYDRAULIC LINES INSTALLATION LIFT CAB

Assembly No.
80019204
 Revision: #

Item	FN	Part	Qty	Description
151		7447040601	2	ADAPTER, STRAIGHT INCLUDES THE FOLLOWING PARTS
		7755011002	1	O-RING
		7755906002	1	O-RING
152		7561113202	1	HOSE ASSY
153		7561115002	1	HOSE ASSY

Manitowoc Cranes

Description

SUPPLY, PRESSURE AND RETURN HYDRAULIC LINES INSTALLATION-CAB

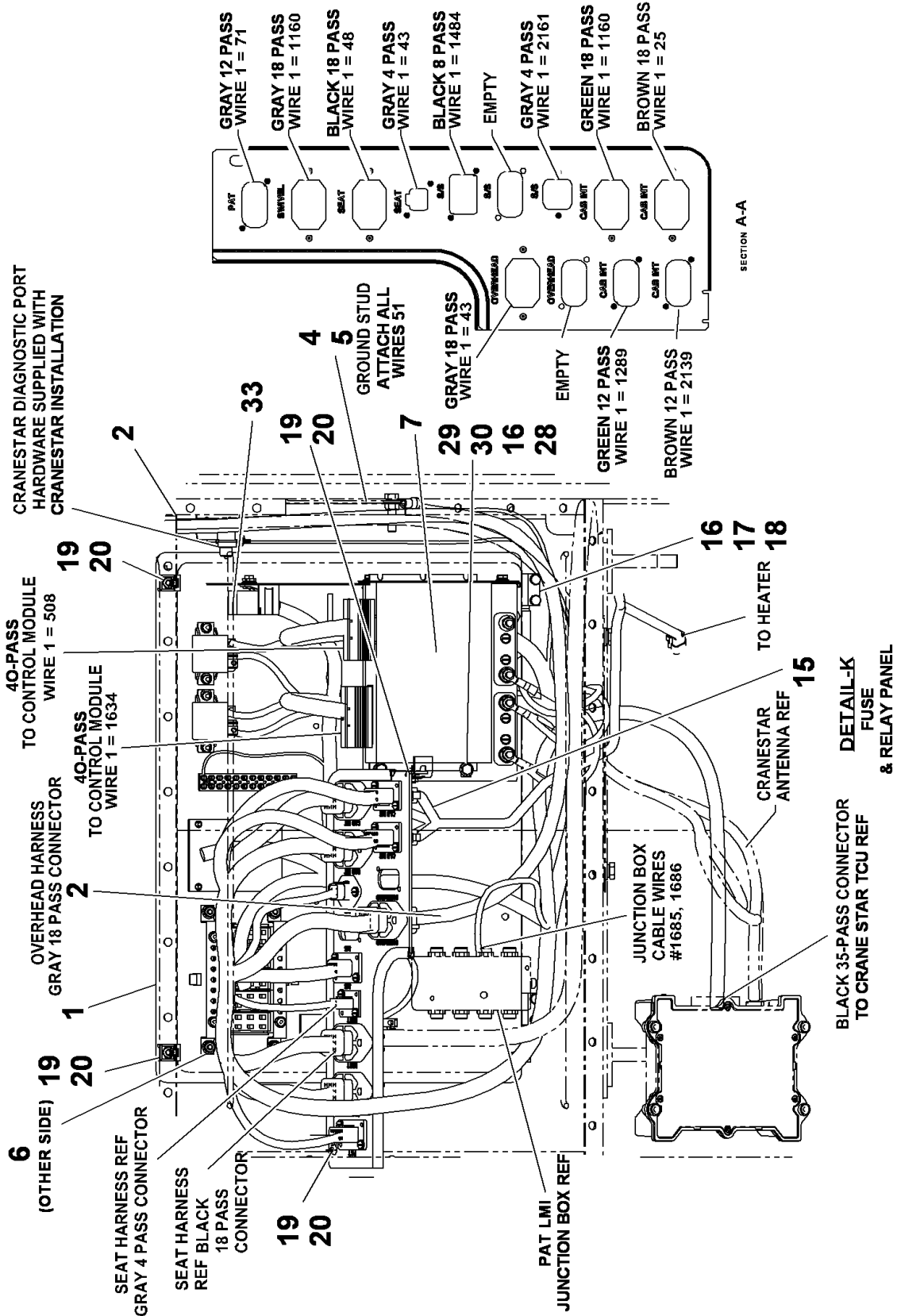
Assembly No.

80019208

Revision: #

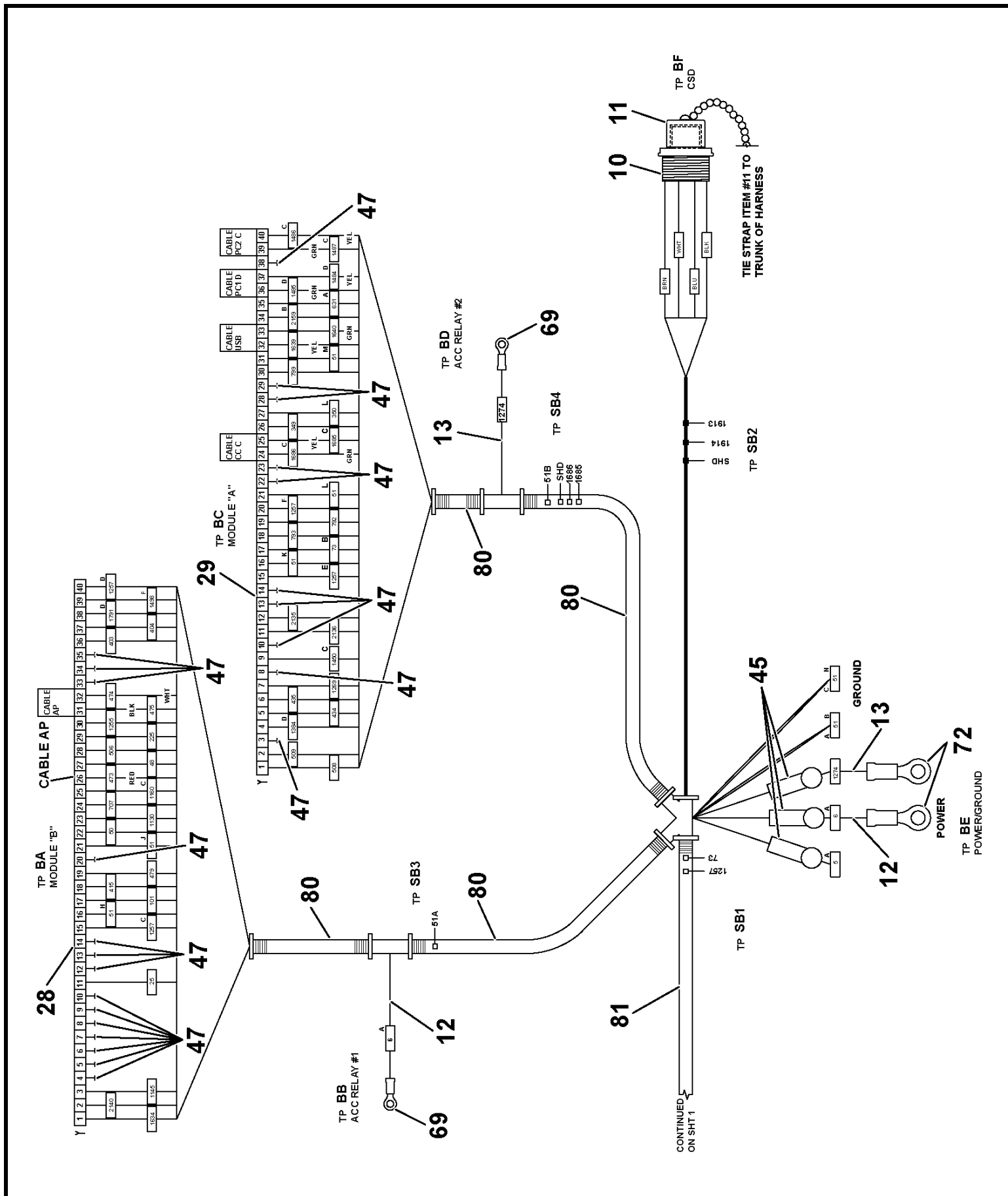
Item	FN	Part	Qty	Description
401		7447060601	4	ADAPTER, STRAIGHT MALE INCLUDES THE FOLLOWING PARTS
		7755012002	1	O-RING
		7755906002	1	O-RING
402		7561205517	1	3/8" HYD HOSE ASSY STR X 90
403		7561204216	1	3/8" I.D. X 45"
404		7561205016	1	3/8" I.D. X 45"
405		7561209015	1	3/8" HYD HOSE ASSY STR-STR
407		7561204616	1	3/8" HYD HOSE ASS'Y STR-45
408		7447060611	1	TEE, UNION INCLUDES THE FOLLOWING PARTS
		7755012002	1	O-RING
409		7561204616	1	3/8" HYD HOSE ASS'Y STR-45
410		7447060634	1	TEE, FEMALE RUN INCLUDES THE FOLLOWING PARTS
		7755012002	1	O-RING
		7755906002	1	O-RING
411		7926100890	1	3/8" INLINE CHECK

Manitowoc Cranes



Manitowoc Cranes

Notes



Manitowoc Cranes

Description

HARNESS ASSEMBLY-OVERHEAD CAB PANEL

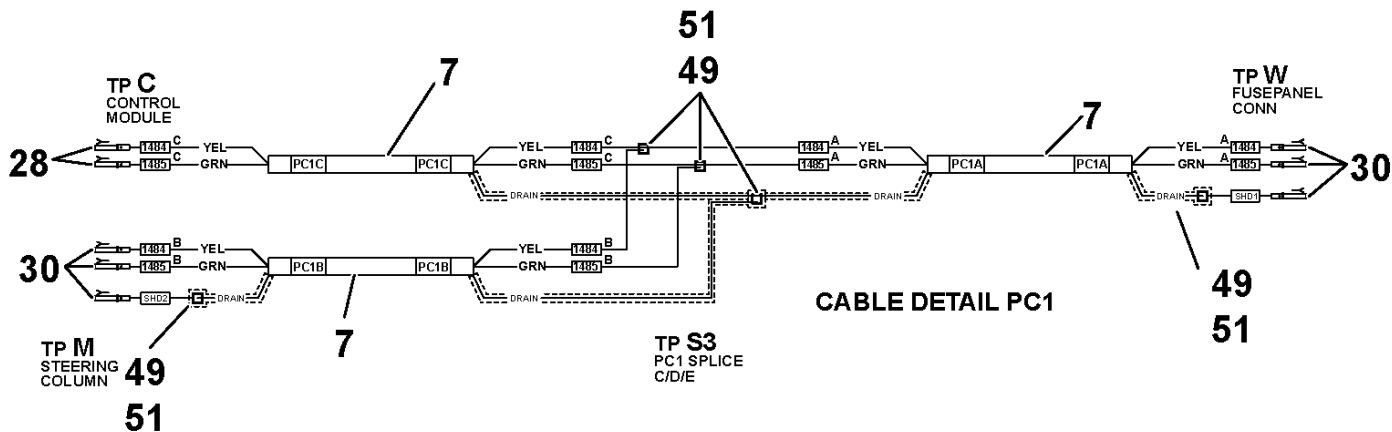
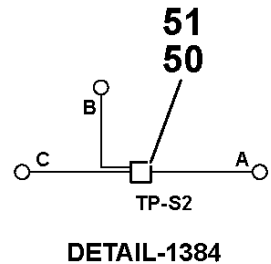
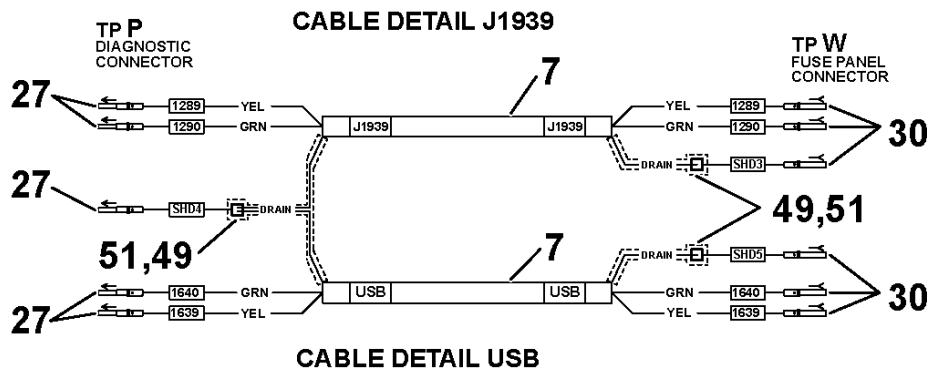
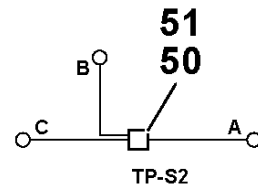
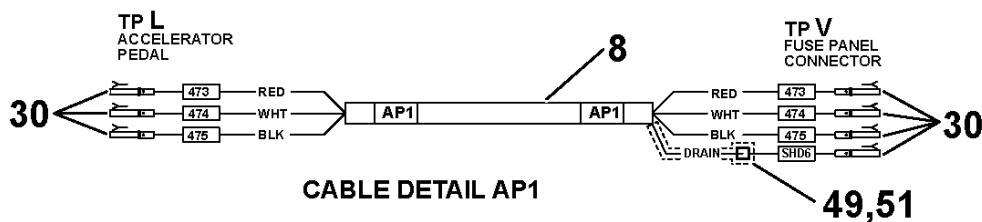
Assembly No.

80023422

Revision: **B**

Item	FN	Part	Qty	Description
4		80023114	1	PLUG/DTV06-18SA W/WEDGE WV-18P
5		7709000883	1	PLUG 6 SOCKET
6		7709000846	1	PLUG, 12 SOCKET
7		7892001036	1	RECEPTACLE, SPLICE BLOCK
8		7892000950	1	RECEPTACLE, 8 PIN
9		7892000949	1	RECEPTACLE, 2 PIN
10		7689000503	2	PLUG, SEALING 16 - 12 AWG
11		7364100184	5	CONNECTOR, L-SERIES SWITCHES
12		7364100183	1	CONNECTOR, L-SERIES DIMMER SWITCH
13		7892000195	2	PARALLEL, NON - INSULATED 12 - 10 AWG
14		7826000087	2	SOCKET, 16-14 GA
15		7689001782	9	PIN, 18 - 16 GAGE
16		7826000626	32	SOCKET, 16 - 18 AWG
17		7892100058	11	TERMINAL, FM MP 630 SERIES
18		7892100059	21	TERMINAL, FM MP 630 SERIES
19		7345001444	2	TERMINAL, FEMALE
20		7850000208	30	CABLE TIE, BLACK
21		7345211701	1	TONGUE, INSULATED RING
22		7345001446	1	TERMINAL, MALE 22 - 18 AWG
23		7892000196	2	PARALLEL, NON - INSULATED 8 AWG
24		8594100259	1	TUBING, HEAT SHRINK 3/8" I.D. LINER, MELTABLE (QUANTITY IN FEET)
25		8594000019	3	FLEXGUARD, 1/4" I.D. (QUANTITY IN FEET)
26		8594000006	1	FLEXGUARD - .350" I.D. (QUANTITY IN FEET)
27		8594000003	6	FLEXGUARD - .625" I.D. (QUANTITY IN FEET)
28		8594100256	1	TUBING, HEAT SHRINK 1/4" I.D. LINER, MELTABLE

Manitowoc Cranes



WIRE NUMBER LABELS FOR USE ON CABLE ASSYS									
WIRE NO	CONDUCTOR COLOR	SAE SIZE	LENGTH TOT IN	CABLE ASSY	TP	REMARKS	TP	REMARKS	LABLES REQ'D
473	RED	10	5	AP1	L	USE INSUL	V	USE INSUL	2
474	WHT	↑	↑	AP1	L	↑	V	↑	↑
475	BLK	↑	↑	AP1	L	↑	V	↑	↑
1289	YEL	↑	↑	J1939	P	↑	W	↑	↑
1290	GRN	↑	↑	J1939	P	↑	W	↑	↑
1484A	YEL	↑	↑	PC1A	W	↑	S3	↑	↑
1484B	YEL	↑	↑	PC1B	M	↑	S3	↑	↑
1484C	YEL	↑	↑	PC1C	C	↑	S3	↑	↑
1485A	GRN	↑	↑	PC1A	W	↑	S3	↑	↑
1485B	GRN	↑	↑	PC1B	M	↑	S3	↑	↑
1485C	GRN	↑	↑	PC1C	C	↑	S3	↑	↑
1639	YEL	↓	↓	USB	P	↓	W	↓	↓
1640	GRN	10	5	USB	P	USE INSUL	W	USE INSUL	2

Manitowoc Cranes

Description

CAB GRAB HANDLE REWORK

Assembly No.

80035985

Revision: **A**

Item	FN	Part	Qty	Description
1		7951190014	2	FLAT WASHER, 10MM I.D.
2		7951190220	2	WASHER, LOCK
3		7661190003	2	NUT, HEX 10MM

Manitowoc Cranes

Description

OUTRIGGER BEAM ASSEMBLY

Assembly No.

80028553

Revision: **B**

Item	FN	Part	Qty	Description
51		80028552	1	OUTRIGGER BEAM
52	+	80028551	1	CYL ASSEMBLY-4.50 JACK
53		7753000416	1	RING, WEAR
54		80032623	1	PIN
55		7690144010	2	PIN, COTTER
56	+	6372100444	1	CYLINDER ASSEMBLY - OUTRIGGER EXTENSION (COMPLETE ASSEMBLY)
57		7690264804	1	PIN, CLEVIS 1" X 3"
58		7690102410	1	PIN, COTTER 3/16" X 1 1/2"
59		7447080603	1	ELBOW, 90 DEGREE INCLUDES THE FOLLOWING PARTS
		7755014002	1	O-RING
		7755906002	1	O-RING
60		7013000384	1	ADAPTER, REDUCING
61		7447080803	3	ELBOW, 90 DEGREE MALE INCLUDES THE FOLLOWING PARTS
		7755014002	1	O-RING
		7755908002	1	O-RING
62		7554319200	2	HOSE ASSY, USE AS REQUIRED 1/2" I.D. X 192"
63		7300000243	2	CLAMP, TUBING 3/4" I.D.
64		7660162701	1	LOCKNUT, HEX 3/8" - 16 N.C.
65		6184003000	1	BRACKET, CAP
66		7258001434	1	CAP, JACK CYLINDER TUBE
67		7949001186	1	WASHER, BLACK NYLON
68		7660152200	1	NUT, ACORN 5/16" - 18 N.C.
69		2159110197	1	WEAR PAD ASSY INCLUDES THE FOLLOWING PARTS
		7671100190	1	PAD, WEAR
		7786160809	1	SET SCREW, 1 3/4" N.C. X 1" LG
70		7786000544	1	SCREW, SET (SLOTTED)
71		80032565	1	WEAR RING

+ SEE FURTHER BREAKDOWN THIS GROUP

Manitowoc Cranes

Description
FENDER AND DECKING INSTALLATION

Assembly No.
80029713
 Revision: **A**

Item	FN	Part	Qty	Description
1	*	80029720	1	FENDER-RIGHT REAR
2	*	80029719	1	FENDER-LEFT REAR
3	*	80029715	1	FENDER-LEFT FRONT
4	*	80029718	1	FENDER-RIGHT FRONT
20	**	4174110064	4	PLATE, COVER
21	**	4174110179	1	COVER PLATE-FRONT
22	**	80023179	1	DECK-RIGHT HAND
23	**	80022457	1	DECK-LEFT HAND
24	**	80029029	4	ANGLE - DECKING
25	**	4174110107	4	BRACKET
26	**	4174110104	4	ANGLE
27	**	80023000	2	STEP SUPPORT
28	**	2174110028	1	TRAY (REAR)
29	**	2174110029	1	TRAY (FRONT)
30	**	4174110095	2	ANGLE
31	**	4174110096	2	ANGLE, REAR
50		80023064	3	STEP-FENDER
51		80023004	2	STEP
52		80022993	2	STEP
53		7814100062	1	COVER, GRILL
54		7242000009	1	PLUG, 7/16" BUTTON
55		7242000012	2	BUTTON, PLUG
56		7115150850	16	CAP SCREW, 5/16" - 18 N.C. X 1" GRADE 5
57		7950150161	16	WASHER, 5/16" FLAT PLAIN WIDE
58		7659000256	8	NUT, RETAINING 5/16" - 18 N.C.
59		8496900015	1	MOULDING (QUANTITY IN FEET)
60		7115181050	32	CAP SCREW, 1/2" - 13 N.C. X 1 1/4" GRADE 5
61		7950180161	40	FLAT WASHER, 1/2" I.D.

* REPAIR KIT AND/OR PART OF KIT

Manitowoc Cranes

Description

LIGHTS INSTALLATION - EXTERIOR

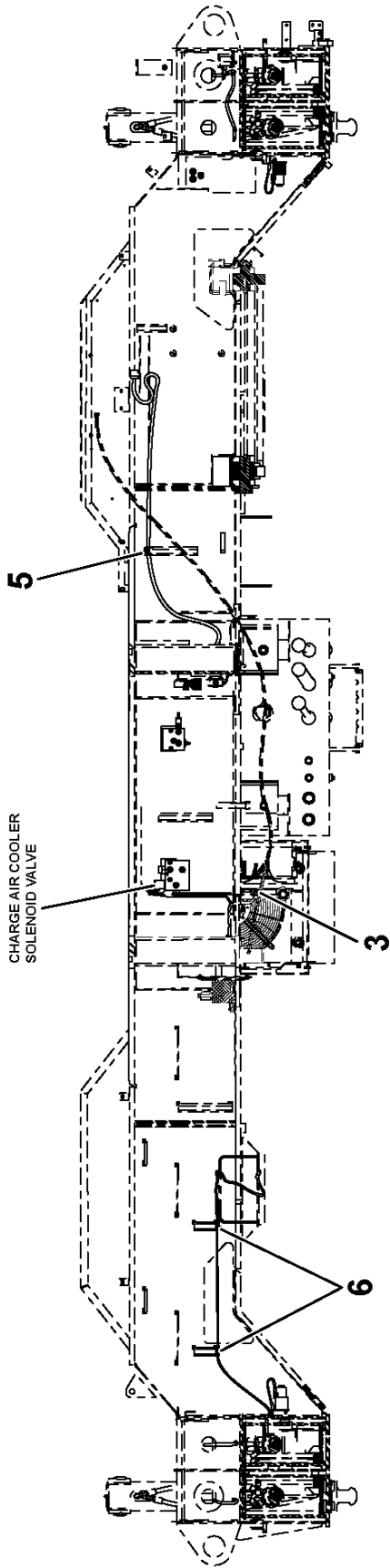
Assembly No.

2174110269

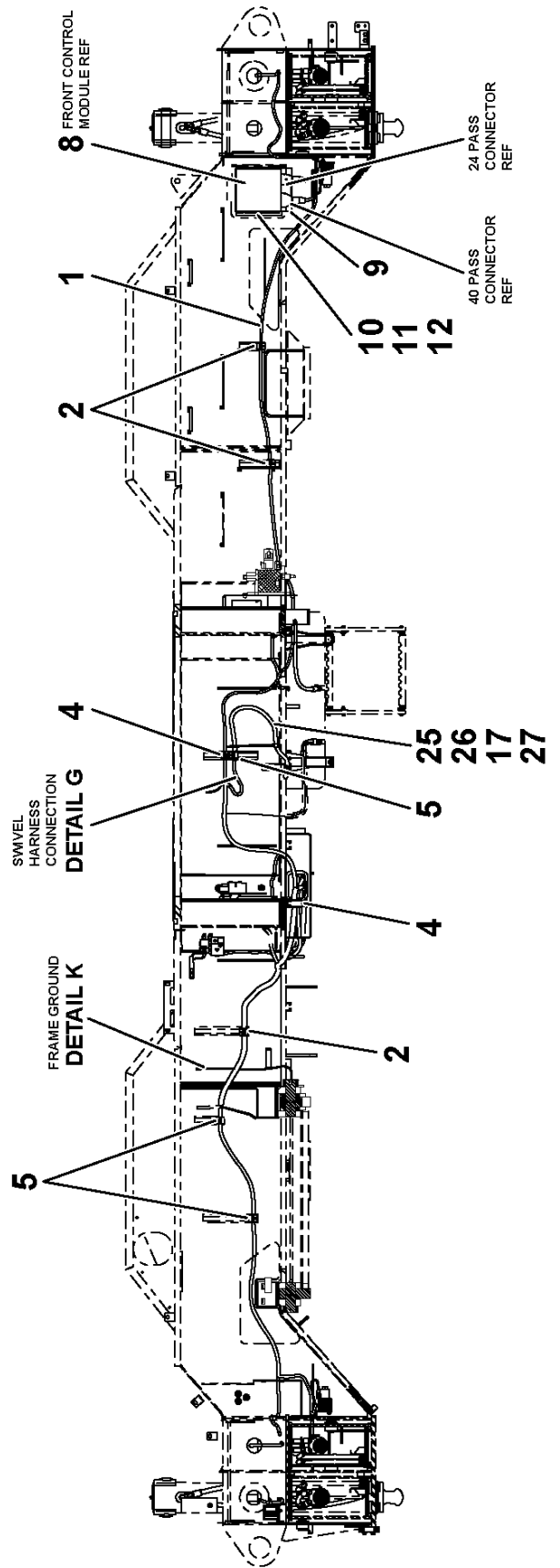
Revision: #

Item	FN	Part	Qty	Description
1		7581001361	4	LIGHT ASSY, WORK INCLUDES THE FOLLOWING PARTS
		9581100396	1	BULB, HALOGEN
2		7581100050	2	LIGHT, YELLOW REAR TURN (WITH GROMMET) INCLUDES THE FOLLOWING PARTS
		9581100461	1	GROMMET, RUBBER
		7364100051	1	PLUG
3		7581100048	2	LIGHT, STOP/TURN/TAIL LED RED INCLUDES THE FOLLOWING PARTS
		9581100461	1	GROMMET, RUBBER
		7364100051	1	PLUG
4		7581100052	2	RED LED MARKER LT W/GROMMET INCLUDES THE FOLLOWING PARTS
		9581100461	1	GROMMET, RUBBER
		7892000949	1	RECEPTACLE, 2 PIN
		7172000546	1	BOOT
		7689000704	2	PIN, 16 - 14 GA
5		7581100053	2	YELLOW LED MARKER LT W/GROMMET INCLUDES THE FOLLOWING PARTS
		9581100461	1	GROMMET, RUBBER
		7892000949	1	RECEPTACLE, 2 PIN
		7172000546	1	BOOT
		7689000704	2	PIN, 16 - 14 GA
7		7025000836	1	ALARM, BACK-UP INCLUDES THE FOLLOWING PARTS
		7172000546	1	BOOT
		7689000704	2	PIN, 16 - 14 GA
8		7115140750	2	CAP SCREW, 1/4" - 20 N.C. X 7/8" GRADE 5
9		7660140000	2	NUT, HEX 1/4" - 20 N.C.
10		7950140050	2	WASHER, LOCK 1/4"
11		7950140141	2	WASHER, FLAT 1/4" PLAIN NARROW

Manitowoc Cranes



SECTION C-C



SECTION D-D

CLICK HERE TO **DOWNLOAD** THE COMPLETE MANUAL

- Thank you very much for reading the preview of the manual.
- You can download the complete manual from: www.heydownloads.com by clicking the link below



- Please note: If there is no response to CLICKING the link, please download this PDF first and then click on it.

CLICK HERE TO **DOWNLOAD** THE COMPLETE MANUAL

Manitowoc Cranes

Description
HYDRAULIC RESERVOIR ASSEMBLY

Assembly No.
80022648
 Revision:

Item	FN	Part	Qty	Description
1	+	80022333	1	HYDRAULIC RESERVOIR ASSY.
2		7258100146	1	CAP, FILL (WITH BREATHER)
		9258100173	1	INCLUDES THE FOLLOWING PARTS
		9258100174	1	BREATHER
			1	KIT, STRAINER
3	+	80022513	1	HYD. RETURN FILTER ASSEMBLY
4		7950160050	4	WASHER, LOCK 3/8" I.D.
5		7115161250	4	CAP SCREW, 3/8" - 16 N.C. X 1 1/2" GRADE 5
6		7486002936	1	GUAGE, OIL LEVEL
		9752101414	1	INCLUDES THE FOLLOWING PARTS KIT, SEAL MOUNTING

+ SEE FURTHER BREAKDOWN THIS GROUP

Manitowoc Cranes

Description

**VALVE ASSEMBLY - OUTRIGGER CONTROL 4 SECTION
(COMPLETE ASSEMBLY)**

Assembly No.

7926100859

Revision:

Item	FN	Part	Qty	Description
1		NSS	1	MANIFOLD, ALUMINUM
2		9926112988	2	BRACKET, MOUNTING
3		7115160650	4	CAP SCREW, 3/8" - 16 N.C. X 3/4" GRADE 5
4		9926112986	4	VALVE, CARTRIDGE INCLUDES THE FOLLOWING PARTS
		9752100996	1	KIT, REPAIR
5		9926112987	4	COIL, 12V.
6		9926107745	4	NUT

Manitowoc Cranes

Description
VALVE, FLOW ADJUSTABLE

Assembly No.
80012673
 Revision:

Item	FN	Part	Qty	Description
1		NSS	1	BODY, MANIFOLD
2		90019820	1	VALVE, CART RELIEF @ 2500 PSI INCLUDES THE FOLLOWING PARTS
		9926108621	1	KIT, SEAL
3		90019821	1	VALVE, CART FLOW REGULATOR INCLUDES THE FOLLOWING PARTS
		9926113005	1	KIT, SEAL

Manitowoc Cranes

Notes

Manitowoc Cranes

Description
OUTRIGGER CONTROLLER INSTALLATION

Assembly No.
80023689
Revision: #

Item	FN	Part	Qty	Description
1	+	80023876	1	OUTRIGGER CONTROLLER ASSEMBLY-RIGHT
2		7195000031	2	BUMPER, RUBBER

+ SEE FURTHER BREAKDOWN THIS GROUP

Manitowoc Cranes

Description

HYDRAULIC LINES INSTALLATION-CARRIER FRONT STEER

Assembly No.

80019440

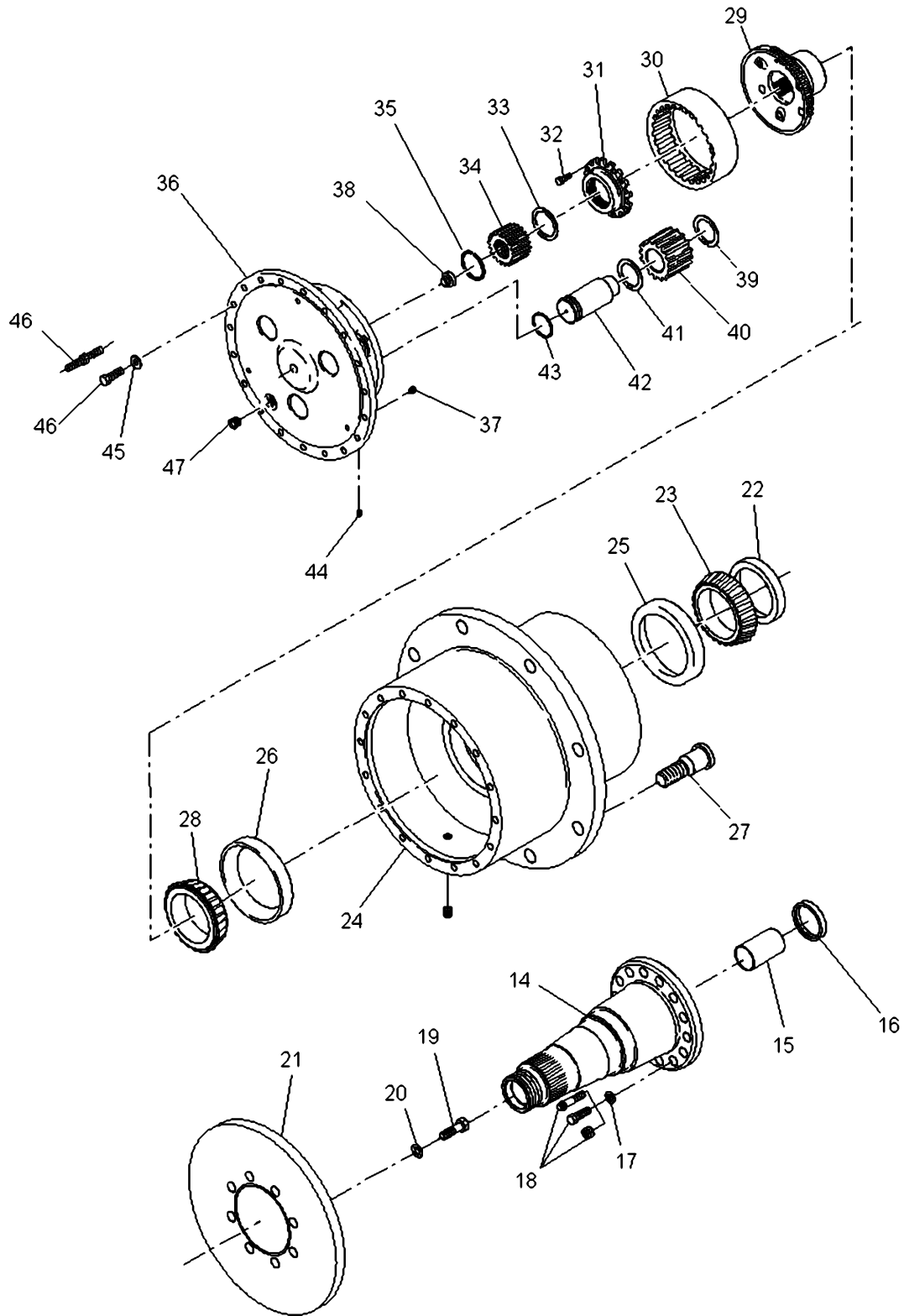
Revision: #

Item	FN	Part	Qty	Description
51		7555214801	1	HOSE ASSY, 3/8" I.D. X 148" LONG
52		7555214801	1	HOSE ASSY, 3/8" I.D. X 148" LONG
53		7555202409	2	HOSE 3/8"
54		7447060808	1	ELBOW, 45 DEGREE INCLUDES THE FOLLOWING PARTS
		7755012002	1	O-RING
		7755908002	1	O-RING
55		7447060605	2	TEE, RUN INCLUDES THE FOLLOWING PARTS
		7755012002	1	O-RING
		7755906002	1	O-RING
56		7447060803	1	ELBOW, 90 DEGREE MALE INCLUDES THE FOLLOWING PARTS
		7755012002	1	O-RING
		7755908002	1	O-RING
57		7300000401	8	CLAMP, TUBING 5/8" I.D.
58		7300000102	2	CLAMP, TUBING 5/8" I.D.
59		7115150550	1	CAP SCREW, 5/16" - 18 N.C. X 5/8" GRADE 5
60		7950150050	1	WASHER, LOCK 5/16" I.D.
61		7660150000	1	NUT, HEX 5/16" - 18 N.C.

Manitowoc Cranes

Notes

Manitowoc Cranes



Manitowoc Cranes

Description
CYLINDER ASSEMBLY - 3 1/2" STEER (COMPLETE ASSEMBLY)

Assembly No.
7372100252
 Revision:

Item	FN	Part	Qty	Description
1		9372103526	1	BARREL ASSY.
2		9372103527	1	ROD ASSY.
3		9372103517	1	GLAND, ROD
4		9372103518	1	PISTON
5		9372103519	1	SPACER
6		9372103520	1	NUT
7	*	NSS	1	O-RING
8	*	NSS	1	RING, WEAR
9	*	NSS	1	RING, SEAL PISTON
10	*	NSS	1	O-RING
11	*	NSS	1	RING, BACK-UP
12	*	NSS	1	RING, SEAL ROD
13	*	NSS	1	RING, WIPER
14		9372103521	1	FITTING, GREASE
15		9372103522	1	CAP, GREASE
20	*	9372103523	1	KIT, SEAL

* REPAIR KIT AND/OR PART OF KIT

Manitowoc Cranes

Notes

Manitowoc Cranes

Description
BRAKE GROUP 4,SET

Assembly No.
9049112813
Revision:

Item	FN	Part	Qty	Description
1		9049112540	4	BRAKE ASSY, DISC
2		9049107142	16	CAP SCREW,
3		9049102985	16	WASHER, USE IF REQUIRED
4		9049112382	8	CAP

Manitowoc Cranes

Description

TIRE AND WHEEL INSTALLATION - 29.5 X 25 GENERAL

Assembly No.

80030163

Revision: #

Item	FN	Part	Qty	Description
1	+	6970100239	4	TIRE AND WHEEL ASSEMBLY - 29.5 X 25 GENERAL (COMPLETE ASSEMBLY)
2		80030173	92	WHEEL NUT 3/4-16UNF Flg

+ SEE FURTHER BREAKDOWN THIS GROUP

Manitowoc Cranes

Description

DRIVE LINE ASSEMBLY (COMPLETE ASSEMBLY)

Assembly No.

80000618

Revision:

Item	FN	Part	Qty	Description
1		9364101773	1	KIT,U-JOINT INCLUDES HARDWARE FOR U-JOINT
2		NSS	1	TUBE WELDMENT, SLIP
3		NSS	1	SHAFT, SPLINE
4		90012566	1	KIT, DUST CAP

Manitowoc Cranes

Description
ENGINE INSTALLATION

Assembly No.
80035807
 Revision: **A**

Item	FN	Part	Qty	Description
260	#	80026898	1	SWITCH, COOLANT LEVEL
261		80035477	1	FILTER HEAD, = FILTER 80035478
262		7445161245	2	ELBOW, 90 DEGREE INCLUDES THE FOLLOWING PARTS
		7755912002	1	O-RING
263		80035479	1	FILTER MOUNTING BRACKET
264		7949000534	8	WASHER, HARDENED ROUND
265		80035478	1	FILTER ASSY.
266		7950150050	4	WASHER, LOCK 5/16" I.D.
267		7115150850	4	CAP SCREW, 5/16" - 18 N.C. X 1" GRADE 5

SERVICED AS AN ASSEMBLY ONLY

Manitowoc Cranes

Notes

Manitowoc Cranes

Notes

Manitowoc Cranes

Description
PUMP DRIVE GROUP

Assembly No.
90017471
 Revision:

Item	FN	Part	Qty	Description
1		7950170050	2	WASHER, LOCK 7/16" I.D.
3		9904105329	2	CAP SCREW,
4		9904105350	2	GEAR, 47T
5		9904105349	2	SUPPORT DRIVE
6		9904107872	2	BEARING - PUMP DRIVE GEAR
7		90017464	2	RING, SNAP
8		9904101215	1	RING, RETAINING
9		9904105432	1	GEAR, 46T
10		90017465	1	GEAR, 47T PUMP DRIVE
11		90017466	1	IDLER, SUPPORT
12		90017467	1	BEARING
13		7950170050	2	WASHER, LOCK 7/16" I.D.
14		9904105329	2	CAP SCREW,
15		90017468	1	RING, SNAP
16		7950170050	2	WASHER, LOCK 7/16" I.D.
18		9904105329	2	CAP SCREW,
19		9904105350	2	GEAR, 47T

Manitowoc Cranes

Notes

Manitowoc Cranes

Notes

Manitowoc Cranes

Description
ELECT.CONTROL CART.VALVE GROUP

Assembly No.
90017479
Revision:

Item	FN	Part	Qty	Description
1		NSS	1	HOUSING, VALVE
2		9904105340	4	O-RING
3		9904109728	4	O-RING
4		9904109729	4	O-RING
5		9904109730	4	O-RING
6		NSS	4	CARTRIDGE
8		NSS	4	COIL
10		NSS	4	NUT, COIL
12		9904110428	4	CART. & COIL ASSY. INCLUDES ITEMS 6,8 AND 10
13		9904104462	1	PLUG INCLUDES THE FOLLOWING PARTS
		7755910000	1	O-RING
13		9926107296	1	O-RING
21		9904110115	1	PLUG
21		9904104055	1	PLUG

Manitowoc Cranes

Description
PUMP ASSEMBLY

Assembly No.
80022450
Revision:

Item	FN	Part	Qty	Description
1	*@	NSS	1	SEAL, SHAFT
2		NSS	1	HOUSING, PUMP
3	*	NSS	2	SEAL, PER LOAD
4	*	NSS	2	SEAL, LOAD
5	*	NSS	1	RING, SEAL
6		NSS	1	PLATE, WEAR
7		NSS	1	SHAFT ASSY. IDLER
8		NSS	1	SHAFT ASSY. DRIVE
9		NSS	1	PINS, DOWEL
10		NSS	1	HOUSING, GEAR PLATE
11	*	NSS	1	RING, SEAL
12		NSS	1	PLATE, WEAR
13		NSS	1	HOUSING, PUMP COVER
14		NSS	8	CAPSCREW
20	*	9722221334	1	KIT, SEAL
21	@	9722221335	1	SEAL, SHAFT

* REPAIR KIT AND/OR PART OF KIT

@ SECOND REPAIR KIT AND/OR PART OF 2ND KIT

Manitowoc Cranes

WIRE NO	COLOR	SAE SIZE	LENGTH	TP	B/M ITEM NO	REMARKS	TP	B/M ITEM NO	REMARKS
			TOT IN						
7	WHT GXL	18	84	C	44	_____	K	39,40	_____
25		18	98	C	44	_____	P	60	_____
51A		16	73	C	44	_____	S3	STRIP	SEE DETAIL
51B		18	11	K	39,40	_____	S3	STRIP	SEE DETAIL
51C		18	11	L	39,40	_____	S3	STRIP	SEE DETAIL
51D		18	11	M	39,40	_____	S3	STRIP	SEE DETAIL
51E		18	11	N	39,40	_____	S3	STRIP	SEE DETAIL
89A		16	142	C	44	_____	T	41	_____
343		18	36	A	42	_____	C	44	_____
344A		12	23	C	45	_____	S2	STRIP	SEE DETAIL
344B		12	23	C	45	_____	S2	STRIP	SEE DETAIL
344C		18	13	A	42	_____	S2	STRIP	SEE DETAIL
344D		18	13	A	42	_____	S2	STRIP	SEE DETAIL
344E		18	13	A	42	_____	S2	STRIP	SEE DETAIL
344F		18	13	A	42	_____	S2	STRIP	SEE DETAIL
345A		12	103	V	61	_____	S1	STRIP	SEE DETAIL
345B		18	11	A	42	_____	S1	STRIP	SEE DETAIL
345C		18	11	A	42	_____	S1	STRIP	SEE DETAIL
345D		18	11	A	42	_____	S1	STRIP	SEE DETAIL
345E		18	11	A	42	_____	S1	STRIP	SEE DETAIL
367		18	84	C	44	_____	M	39,40	_____
368		18	84	C	44	_____	N	39,40	_____
371		18	84	C	44	_____	L	39,40	_____
596		18	144	C	44	_____	R	33,34	_____
645		18	36	A	42	_____	C	44	_____
942		18	30	B	26	_____	C	44	_____
1091A		18	198	A	42	_____	E	29	_____
1280		18	36	C	44	_____	H	44	_____
1281		18	3	A	42	_____	A	SEE CABLE	DET ES & CL
1282		18	30	B	26	_____	C	44	_____
1283		18	36	A	42	_____	C	44	_____
1299		18	36	C	44	_____	H	44	_____
1532		18	3	A	42	_____	A	SEE CABLE	DET ES & CL
1536		18	198	A	42	_____	E	29	_____
1537		18	198	A	42	_____	E	29	_____
1538		18	198	A	42	_____	E	29	_____
2164		18	36	A	42	_____	C	44	_____
SHD1		18	3	J	41	_____	J	SEE CABLE	DET J1939A
SHD2		18	3	J	41	_____	J	SEE CABLE	DET J1939B
SHD3	WHT GXL	18	3	C	44	_____	C	SEE CABLE	DET J1939B

Manitowoc Cranes

Description
CABLE KIT-ENGINE

Assembly No.
80023983
 Revision:

Item	FN	Part	Qty	Description
1		80023501	1	BATTERY CABLE RED 4/0 120"
		9246100177	1	INCLUDES THE FOLLOWING PARTS BOOT, RED
2		80023502	1	BATTERY CABLE RED 6GA 108"
3		80023503	1	BATTERY CABLE RED 1/0 114"
		9246100159	1	INCLUDES THE FOLLOWING PARTS BOOT, SWIVEL (RED)
4		80023504	1	BATTERY CABLE BLK 1/0 36"
5		80023505	1	BATTERY CABLE RED 2/0 120"
		9246100159	2	INCLUDES THE FOLLOWING PARTS BOOT, SWIVEL (RED)
6		80023506	1	BATTERY CABLE RED 3/0 114"
7		80023507	1	BATTERY CABLE BLK 3/0 42"
8		80023508	1	BATTERY CABLE BLK 4/0 108"
		9246100185	2	INCLUDES THE FOLLOWING PARTS BOOT, BLACK

Manitowoc Cranes

Description
FREON COMPRESSOR-12V W/PAD MTG

Assembly No.
80020059
Revision:

Item	FN	Part	Qty	Description
1		90019686	1	COMPRESSOR ASSY. 12V
2		90019687	1	PLATE, MANIFOLD
3		90019689	1	KIT, BOLT
4		90019690	1	CLUTCH & COIL ASSY. 12V.
5		90019917	1	O-RING, 2-PKT
6		7892000836	1	RECEPTACLE, 2 PIN
7		7689000704	1	PIN, 16 - 14 GA
8		7172000546	1	BOOT
9		7689000503	1	PLUG, SEALING 16 - 12 AWG

Manitowoc Cranes

Description

TANK ASSEMBLY - FUEL (COMPLETE ASSEMBLY)

Assembly No.

7880100024

Revision:

Item	FN	Part	Qty	Description
1		NSS	1	TANK
2		7352000934	1	SENDER, FUEL LEVEL
		9352100751	1	INCLUDES THE FOLLOWING PARTS
		9352100751	1	KIT, GASKET AND HARDWARE
2		9352100751	1	KIT, GASKET AND HARDWARE
3		9880100157	1	VENT
4		9880100158	1	CAP ASSEMBLY
5		9880100081	3	PLUG, MAGNETIC

Manitowoc Cranes

Notes

Manitowoc Cranes

Description

WARNING LIGHT-MODIFIED

Assembly No.

80026611

Revision: **A**

Item	FN	Part	Qty	Description
1		7581100047	1	LIGHT ASSY, LMI WARNING
2		7892100010	1	RECEPTACLE, DTM-3P
3		7689100033	2	PIN
4		7826000650	1	PLUG, SEALING
5		8594000019	1	FLEXGUARD, 1/4" I.D. (QUANTITY IN FEET)

Manitowoc Cranes

Notes

Manitowoc Cranes

Description
RADIATOR ASSEMBLY

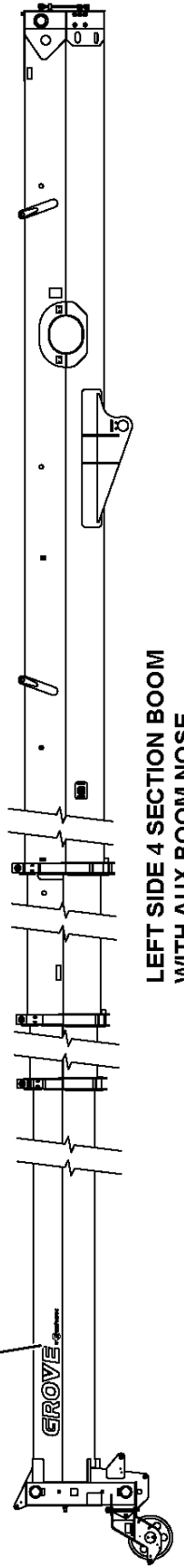
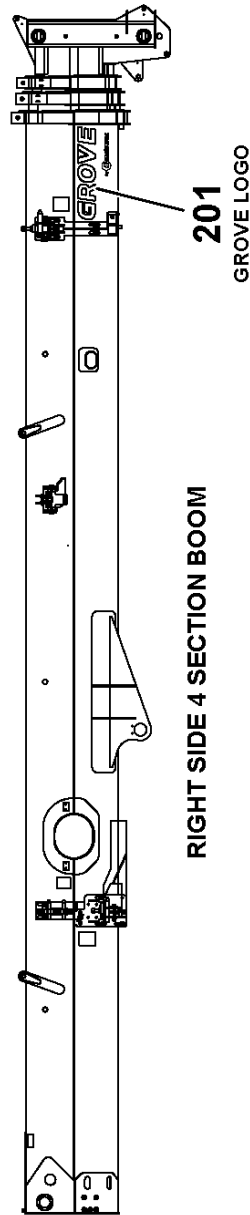
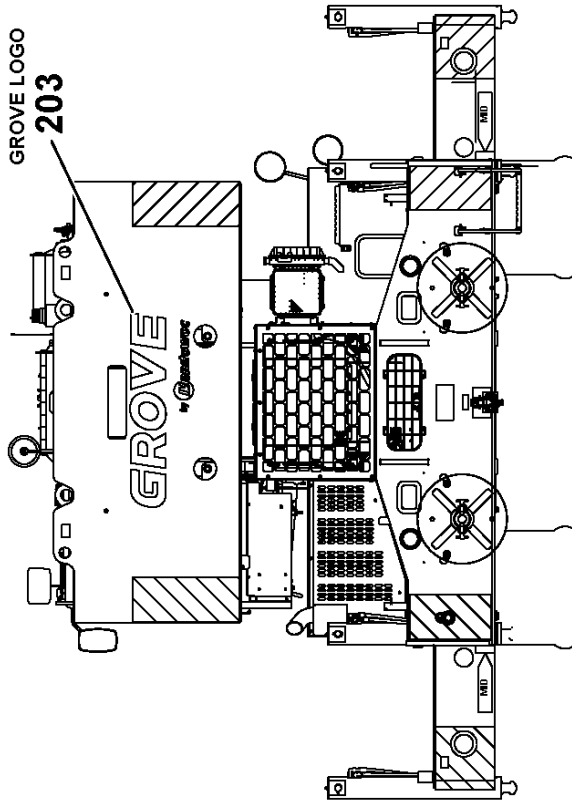
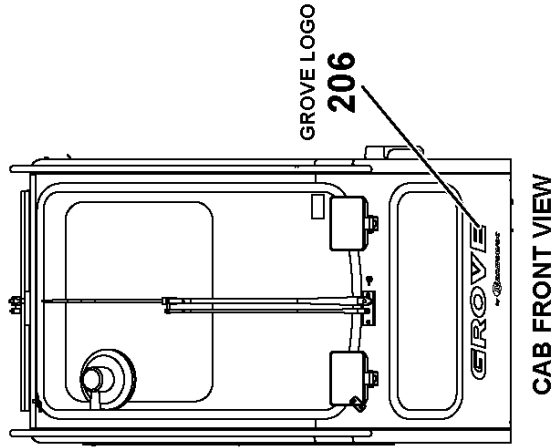
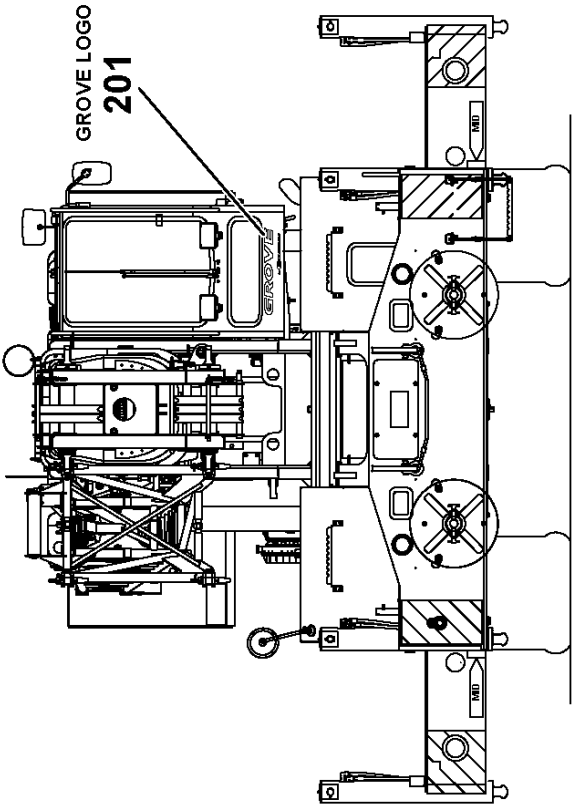
Assembly No.
80022987
Revision: #

Item	FN	Part	Qty	Description
1		80022323	1	RADIATOR ASSY
2		80022139	1	SHROUD
3		8596902523	1	2.25"ID X 2.64"OD WRAPPED HOSE
4		8596902522	1	2.00"ID X 2.39"OD WRAPPED HOSE
5		7300000035	2	CLAMP, HOSE 1 13/16" TO 2 3/4"
6		8496900046	7	MOULDING
7		8243290074	6	MOULDING, RUBBER (QUANTITY IN FEET)
8		7115161050	4	CAP SCREW, 3/8" - 16 N.C. X 1 1/4" GRADE 5
9		7950160050	4	WASHER, LOCK 3/8" I.D.
10		7950160141	4	WASHER, 3/8" PLAIN NARROW
11		80022343	4	SPACER
12		7447161633	1	ELBOW, 90 DEGREE INCLUDES THE FOLLOWING PARTS
		7755021002	1	O-RING
13		80022817	1	HOSE END FEMALE SEAL LOK SWIVE
14		7447161628	1	ADAPTER, STRAIGHT MALE INCLUDES THE FOLLOWING PARTS
		7755021002	1	O-RING
		7755916002	1	O-RING
15		7649000062	2	NIPPLE
16		7445060651	1	UNION, STRAIGHT
17		7926000557	1	VALVE, DRAIN
18		8596902527	2	HOSE, HEATER 3/8 ID X 11/16 OD
19		7300000013	2	CLAMP, HOSE

Manitowoc Cranes

<u>Description</u>				<u>Assembly No.</u>
DECAL INSTALL-STANDARD CARRIER				80033752
				Revision: B
Item	FN	Part	Qty	Description
130		7376007446	2	DECAL - DANGER REVOLVING TIRES (ENGLISH)
131		7376011087	4	DECAL - DANGER OUTRIGGER CRUSHING HAZARD (ENGLISH)
132		7376102517	1	DECAL-DANGER PRESSURIZED FLUID
133		7376011364	2	DECAL - FAN DANGER ROTATING BLADES
134		7376102349	1	DECAL - CAUTION ELECTRONICS DAMAGE
135		80025948	1	DECAL-CTN-BATTERY CONNECTION
136		7376011335	1	DECAL - HYDRAULIC OIL
137		80025946	1	DECAL-POWER PANEL
138		7376010998	17	DECAL - NO STEP
139		7376009372	4	DECAL - MID-EXTEND OUTRIGGERS > (ENGLISH)
140		7376009373	4	DECAL - MID-EXTEND OUTRIGGERS < (ENGLISH)
141		7376009555	4	DECAL - DANGER ELECTROCUTION HAZARD (ENGLISH)
142		7376102819	1	DECAL - CAUTION BATTERY DISCONNECT (ENGLISH)
143		7376101881	1	DECAL - DANGER ETHER HAZARD (ENGLISH)
144		7376102532	1	DECAL - DANGER FIRE HAZARD
145		7376102554	1	DECAL - DANGER BATTERY EXPLOSION HAZARD
146		7376102424	1	DECAL - CAUTION SPECIAL FILL REQUIREMENT (ENGLISH)
147		7376102516	1	DECAL - CAUTION ENGINE COOLANT FILL
148		80025945	1	DECAL-FUSE BLOCK COVER

Manitowoc Cranes



Manitowoc Cranes

Description

DECAL INSTL-RT765E-2

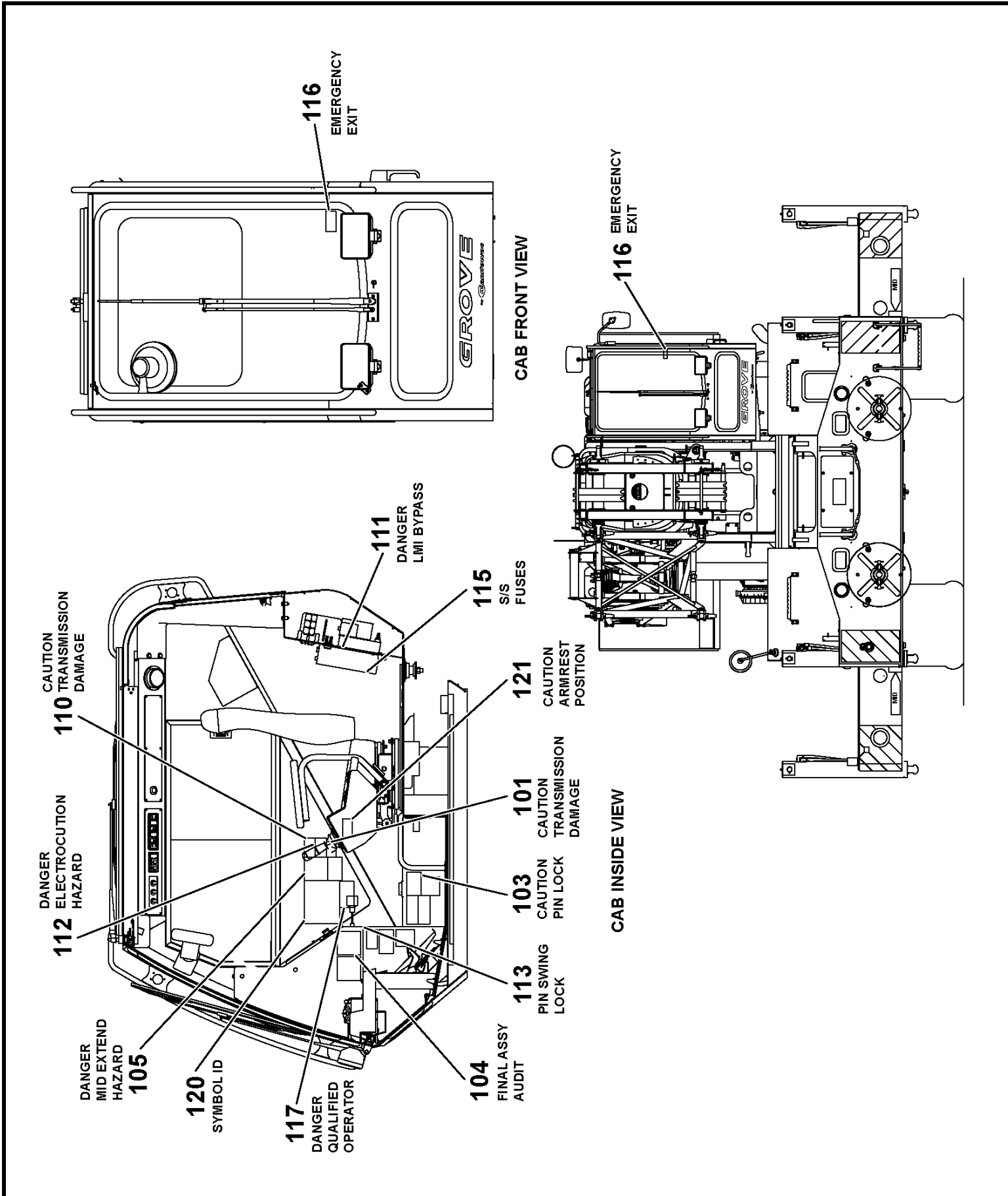
Assembly No.

80028327

Revision: **C**

Item	FN	Part	Qty	Description
3805		80029866	1	DECAL-CTN-HOT SURF & GASES-FR
3806		80029867	1	DECAL-CTN-HOT SURF & GASES-IT
3807		80029896	1	DECAL-CTN-HOT SURF & GASES-NL
3808		80029897	1	DECAL-CTN-HOT SURF & GASES-NO
3809		80029898	1	DECAL-CTN-HOT SURF & GASES-PL
3810		80029899	1	DECAL-CTN-HOT SURF & GASES-PC
3811		80029900	1	DECAL-CTN-HOT SURF & GASES-PT
3812		80029901	1	DECAL-CTN-HOT SURF & GASES-RU
3901		7376011062	1	DECAL - DIESEL
3902		7376991544	1	DECAL - DIESEL
3915		80034479	1	PANEL-LOW SULFUR DIESEL FUEL
3916		80035779	1	PANEL-ULTRA LOW SULFUR FUEL-DE
3917		80035780	1	PANEL-ULTRA LOW SULFUR FUEL-DK
3918		80035781	1	PANEL-ULTRA LOW SULFUR FUEL-ES
3919		80035782	1	PANEL-ULTRA LOW SULFUR FUEL-FR
3920		80035783	1	PANEL-ULTRA LOW SULFUR FUEL-IT
3921		80035784	1	PANEL-ULTRA LOW SULFUR FUEL-NL
3922		80035785	1	PANEL-ULTRA LOW SULFUR FUEL-NO
3923		80035786	1	PANEL-ULTRA LOW SULFUR FUEL-PL
3924		80035787	1	PANEL-ULTRA LOW SULFUR FUEL-PC
3925		80035789	1	PANEL-ULTRA LOW SULFUR FUEL-PT
3926		80035790	1	PANEL-ULTRA LOW SULFUR FUEL-RU
4013		7376102946	2	DECAL - DANGER ULTRA LOW SULFUR (DIESEL FUEL) (ENGLISH)
4014		80015343	2	DECAL-DANGER-ULTRA LOW SUL
4015		80029875	2	DECAL-DANGER-ULT LOW SULFUR-DK
4016		7376102997	2	DECAL - DANGER ULTRA LOW SULFUR (DIESEL FUEL) (SPANISH)
4017		80015190	2	DECAL-DANGER-ULTRA LOW SUL
4018		80029876	2	DECAL-DANGER-ULT LOW SULFUR-IT
4019		80015344	2	DECAL-DANGER-ULTRA LOW SUL
4020		80029877	2	DECAL-DANGER-ULT LOW SULFUR-NO
4021		80029878	2	DECAL-DANGER-ULT LOW SULFUR-PL

Manitowoc Cranes



Manitowoc Cranes

Description

DECAL INSTALL-STANDARD SS

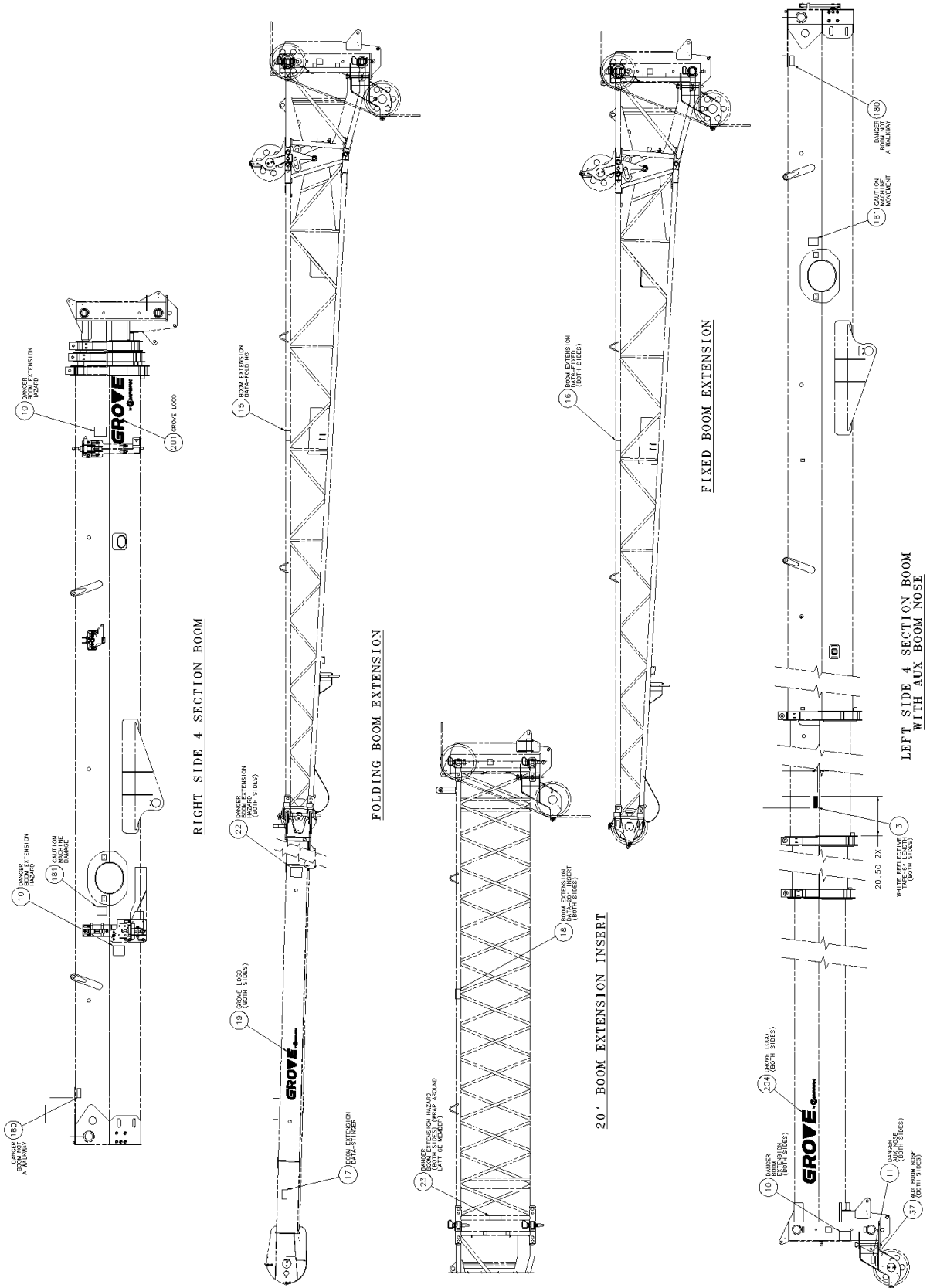
Assembly No.

80033753

Revision: **A**

Item	FN	Part	Qty	Description
160		7376007213	2	DECAL - DANGER COUNTERWEIGHT CRUSHING HAZARD (ENGLISH)
161		7376100079	1	DECAL-DANGER CABLE WEDGE
162		7376100089	4	DECAL - DANGER COUNTERWEIGHT LIFT (ENGLISH)
163		7376101492	1	DECAL - HAND SIGNALS (ENGLISH)
164		7376102552	1	DECAL - DANGER PRESSURIZED OIL LEAK (ENGLISH)
165		7376102910	2	DECAL - LIFT POINT PROHIBITION
166		7376991722	2	DECAL - WEAR BODY HARNESS
167		80000511	2	DECAL - DANGER HOIST ENTANGLEMENT
168		80028146	1	DECAL-DANGER-FALLING HAZARD

Manitowoc Cranes



Manitowoc Cranes

Description

**DECAL INSTALLATION - RT700E2 COUNTERWEIGHT REMOVAL
(POLISH)**

Assembly No.

6376200325

Revision: #

Item	FN	Part	Qty	Description
1		7376102234	2	DECAL- DANGER COUNTERWEIGHT CRUSH HAZARD (POLISH)
2		7376101969	2	DECAL - COUNTERWEIGHT REMOVAL (SYMBOLIC)
3		7376102604	2	DECAL - DANGER CRUSHING/TIPPING HAZARD COUNTERWEIGHT REMOVAL (POLISH)
4		7376102605	2	DECAL- DANGER COUNTERWEIGHT CRUSH HAZARD (POLISH)
5		7679100242	1	PANEL-CWT WEIGHT-13000LB
6		7376241052	1	DECAL - GROVE LOGO (GRAY WITH RED TRIANGLE)

Manitowoc Cranes

Alphabetical Index	Appendix A	
Description	Part	Page
BEZEL, L-SERIES 6 GANG LM6	7364100182	415, 423
BEZEL, ROCKER SWITCH	7486002600	551
BINDER	7258100138	217
BLADE, WIPER 34"	9576101347	297, 299
BLOCK	7086100002	287
BLOCK, CONTACT	7872001632	398
BLOCK, FUSE	7086000947	411
	7086100159	411, 493
BLOCK, GUIDE	4174910314	14
BLOCK, SPACER	7086100144	284
BLOCK, STOP	2174910152	111
BLOCK, TERMINAL	7086001800	334
BLOCK, TERMINAL STRIP	9333102663	77, 93, 97
BLOWER ASSY. 12V	90018893	307
BOLT	80019087	568
BOLT PATTERN ADAPTER 20 S/F	80017995	535
BOLT, CAP SCREW	9049101125	653, 654
BOLT, MOUNTING	90014308	295
BOLT, SPECIAL	6099100007	645
BOLT, STACKING	7099000399	313
BOLT, TIE	9086101227	41
BOOM EXTENSION-BASE SECTION	2174910089	47
BOOM KIT 2 OVER 4	80009128	27
BOOT	7172000546	233, 469, 513, 541, 739
	7172000551	553
	7172000552	247, 433, 493
	7172000553	493
	7172000554	247, 492, 723
	9926112766	319
BOOT, BLACK	9246100185	729
BOOT, CONNECTOR	7172000568	249
BOOT, PLUG	7172100002	247, 345, 491
BOOT, RED	9246100177	729, 761
BOOT, RUBBER	90013416	339
	9926113275	323
BOOT, SWIVEL (RED)	9246100159	729, 761
BOOT, TERMINAL	7172000558	412

From - BEZEL, L-SERIES 6 GANG LM6

To - BOOT, TERMINAL

Manitowoc Cranes

Alphabetical Index	Appendix A	
Description	Part	Page
CIRCLIP	90019584	147
CLAMP	7300000018	453
	7300000056	467
	7300000178	771
	7300000222	771
	7300001000	637, 731
	80035229	177
	CLAMP ASSY.	90018844
CLAMP, 1" TUBING	7300000404	176, 187, 195, 481, 535, 737
CLAMP, 2" STEEL COLLAR	7300001073	61
CLAMP, BENT T-BOLT 3.00" NOM	80011312	534, 645
CLAMP, CABLE	9333103094	73
CLAMP, CHAIN	9333101922	25, 39
CLAMP, DOUBLE SADDLE	7300001082	453
CLAMP, HOSE	7300000006	534, 637, 644
	7300000013	638, 645, 789
	7300000016	329
	7300000035	303, 637, 646, 789
	7300000040	637, 647, 786
	7300000049	535
	7300000167	785
CLAMP, LINER	7300001061	303, 373
CLAMP, MUFFLER	7300000036	638, 731
	7300000070	638
CLAMP, PIPE	7300000271	9
CLAMP, STRAIN RELIEF	7300000429	493, 723
CLAMP, T-BOLT	7300000223	771
	7300001102	638
	7300001103	638
CLAMP, TUBING	7300000098	767
	7300000101	482, 565, 638, 646, 746, 785
	7300000102	99, 191, 387, 559
	7300000104	334, 527, 638
	7300000241	99
	7300000242	647
	7300000243	449
	7300000244	141, 638, 717
	7300000245	647
	7300000249	334, 481, 536, 646
	7300000250	536
	7300000251	375, 647
	7300000397	481

From - CIRCLIP

To - CLAMP, TUBING

Manitowoc Cranes

Alphabetical Index	Appendix A	
Description	Part	Page
DECAL-DANGER-FALL HAZARD-PL	80013476	817
DECAL-DANGER-FALL HAZARD-PT	80013478	817
DECAL-DANGER-FALL HAZARD-RU	80013479	817
DECAL-DANGER-FALLING HAZARD	80028146	803, 839
DECAL-DANGER-FALLING HAZARD-ES	80028149	854
DECAL-DANGER-ULT LOW SULFUR-DK	80029875	819
DECAL-DANGER-ULT LOW SULFUR-IT	80029876	819
DECAL-DANGER-ULT LOW SULFUR-NO	80029877	819
DECAL-DANGER-ULT LOW SULFUR-PC	80029879	820
DECAL-DANGER-ULT LOW SULFUR-PL	80029878	819
DECAL-DANGER-ULT LOW SULFUR-RU	80029881	820
DECAL-DANGER-ULTRA LOW SUL	80015190	819
	80015343	819
	80015344	819
DECAL-DIODE BLOCK	80025967	795, 831
DECAL-DNGR-ELEC HAZ-GMK-ES	7376102057	854
DECAL-DNGR-ULTRA LOW SULFUR-PT	80001674	820
DECAL-FUSE BLOCK COVER	80025945	799, 835
DECAL-FUSE PANEL-CAB	80025951	795, 831
DECAL-FUSE PANEL-CAB-SPANISH	80025955	853
DECAL-GROVE-3" GRAY	7376247030	811, 847
DECAL-GROVE-4.5" GRAY	7376247045	811, 847
DECAL-HYD PUMP DISCONN SWT-SYM	7376102003	816
DECAL-PATENT-CRANE	80028169	815
DECAL-PIN SWING LOCK	80026772	795, 831
DECAL-PIN SWING LOCK-SYM	80026775	825
DECAL-POWER PANEL	80025946	799, 835
DECAL-POWER PANEL-ES	80025947	854
DECAL-RT765E-2	80031586	811, 847
DECAL-SYMBOL ID	80036656	795, 831
DECAL-SYMBOL ID-ES	80036658	853
DECAL-SYNTHETIC GEAR OIL-RU	80012674	817
DECAL-SYNTHETIC GREASE-RU	80012677	817
DECAL-T&L-FLD BM EXT-SYM	7376101965	816
DECAL-T&L-FXD BM EXT-SYM	7376101966	816
DECAL-T&L-RT765E-2	80033766	816

From - DECAL-DANGER-FALL HAZARD-PL

To - DECAL-T&L-RT765E-2

Manitowoc Cranes

Alphabetical Index	Appendix A	
Description	Part	Page
HI & LOW SHIFT CONTROL GROUP	9904110078	651
HINGE	90014309	295
HINGE, LEFT HAND NYLON	7519000198	393
HITCH PIN (.62 DIA)	7689100038	57
HO ASY, 1/2 ID STR TO 45DEG	7555319802	534
HOIST ASSEMBLY-GHP30A	80036733	199
HOLDER, FUSE	7086001082	398
HOOK	9053100042	63
HOOK & NUT ASSY.	9086101354	41
HOOK WELD	2174910108	48
HORN	7025100013	309
HOSE - USE 9543100045	7543000685	309
HOSE 1/2"	7555310003	527
	7555321203	527
HOSE 1/4" ID	7550104281	197
HOSE 2.50 I.D. X 46	7566504600	645
HOSE 3/8"	7555202409	387, 559
HOSE ASSEMBLY 1" ORFS	7555605860	187
HOSE ASSY	7543109060	646
	7543109160	197
	7543109161	175
	7555117501	219
	7561113202	369
	7561115002	369
HOSE ASSY, 1" I.D. X 48"	7555604811	175
HOSE ASSY, 1" I.D. X 61" LONG	7555606160	191
HOSE ASSY, 1" I.D. X 68" LONG	7555606882	191
HOSE ASSY, 1" ORFS ST X ST 94"	7555609460	191
HOSE ASSY, 1/2" I.D. X 186" LONG	7555318601	536
HOSE ASSY, 1/2" I.D. X 26" LONG	7555302601	536
HOSE ASSY, 1/4 I.D. X 100"	7555110000	381
HOSE ASSY, 1/4" STR-45 HYD	7561114402	221
HOSE ASSY, 1/4" I.D. X 10" LONG	7555101001	178
HOSE ASSY, 1/4" I.D. X 117" LONG	7555111701	565
HOSE ASSY, 1/4" I.D. X 25'	8596902512	745
HOSE ASSY, 1/4" I.D. X 47" LONG	7555104701	565
HOSE ASSY, 1/4" I.D. X 60" LONG	7555106001	177

From - HI & LOW SHIFT CONTROL GROUP

To - HOSE ASSY, 1/4" I.D. X 60" LONG

Manitowoc Cranes

Alphabetical Index	Appendix A	
Description	Part	Page
NUT, HEX	9722100229	703
NUT, JAM	9049101497	581, 605
	9049109022	573, 597
NUT, LOCK	9498100355	293
NUT, RETAINING	7659000256	329, 459
	7659000287	243, 393
	7659000811	460, 463
	7659000857	463
	7659000862	437
	9926111395	513
NUT, RETAINING 8 X 1.25	7659190020	303, 313
NUT, RETAINING M6	7659190019	284, 351
NUT, S.S.	90014305	295
NUT, SELF-LOCK	90019831	363
NUT, SELF-LOCKING	846531	75
NUT, STEERING WHEEL	90016403	364
NUT,JAM	9188101097	616
NUT,RING	9576101114	127
OIL BAFFLE & SEAL ASSY.	90014201	665
OIL COOLER ASSY. HYD.OIL TRANS	80012051	777
OIL COOLER COVER	80020067	777
OIL COOLER MOUNT	80020065	777
O-RING	7754000085	623
	7754000200	654, 658
	7754100010	231, 737
	7755011002	154, 175, 176, 177, 178, 179, 187, 191, 195, 197, 215, 219, 221, 275, 276, 319, 369, 381, 533, 565, 644, 645, 646
	7755012002	175, 176, 177, 179, 191, 215, 275, 276, 319, 375, 379, 381, 387, 534, 535, 536, 537, 547, 559, 591, 644, 777
	7755014002	175, 176, 177, 178, 375, 449, 453, 527, 533, 534, 535, 536, 745
	7755016000	169
	7755016002	275, 276
	7755018002	12, 176, 178, 191, 533, 534, 535, 536, 537, 645, 646
	7755019000	170
	7755021002	9, 12, 176, 177, 187, 191, 192, 195, 255, 533, 645, 777, 789

From - NUT, HEX

To - O-RING

Manitowoc Cranes

Alphabetical Index	Appendix A	
Description	Part	Page
PLUG, 4 PASS	7709100870	247
PLUG, 4 SOCKET	7709000936 7709100895	247, 345, 433 249
PLUG, 7/16" BUTTON	7242000009	459
PLUG, BLEEDER	9372103584	591
PLUG, CAVITY	7892001058	723
PLUG, DRC18-40SA	7709100882	247, 411
PLUG, DRC18-40SB	7709100946	247, 411
PLUG, DRC26-60S06	7709100943	723
PLUG, DTO6-12SB-C015 W/WEDGE	7709100929	433
PLUG, DTO6-12SC-C015 W/WEDGE	7709100930	433
PLUG, DTO6-12SD-C015 W/WEDGE	7709100931	433
PLUG, FILLER	9049100054	653
PLUG, FLUSH	9974102201	208
PLUG, HOLE	9333102047 9333102808	81, 95 77
PLUG, L SERIES LH1 PANEL	7242100005	334, 415, 423
PLUG, MAGNETIC	9880100081 9904101317	749 657
PLUG, PIPE	7709000026	18, 21, 256
PLUG, SAE #4	7709000028 7709800001	17, 21, 178, 255, 536 129, 141, 451, 703
PLUG, SAE #8	7709800000	141
PLUG, SEALING	7689000503 7826000650	248, 297, 299, 412, 419, 427, 433, 491, 724, 739, 765 248, 433, 493, 724, 769
PLUG, VENT	9974102858	207
PLUG, WELCH	9904101131	657
PLUG,DT06-3S-CEO6 W/BLUE WEDGE	7709100911	247, 723
PLUG,SCREW TYPE	9188101096	615
PLUG/DTV06-18SA W/WEDGE WV-18P	80023114	419
PLUG/DTV06-18SB W/WEDGE WV-18P	80023115	345
PLUG/DTV06-18SC W/WEDGE WV-18P	80023116	433
PLUG/DTV06-18SD W/WEDGE WV-18P	80023117	433
PLUNGER ASSY	90015103	357
PLUNGER, ASSY.	9926112735	319
POCKET, MANUAL	80016426	285

From - PLUG, 4 PASS

To - POCKET, MANUAL

Manitowoc Cranes

Alphabetical Index	Appendix A	
Description	Part	Page
SHIM	4174910441	10
SHIM (.0359")	6705004265	199
SHIM (.0544")	4159900304	51, 57, 103
SHIM (.0598")	6705004264	199
SHIM (.1250")	6705004263	199
SHIM .004	9904110099	681
SHIM .007	9904110100	681
SHIM .010	9904110101	682
SHIM .020	9904110102	682
SHIM,	4174910012	23, 27
	4174910107	11
	4174910108	11
	4174910121	10
	4174910132	10
	4174910152	11
	4174910190	66
	4174910341	14
	4184900665	49
	6705017532	99
	6705100043	11
	9049112111	581, 605
	9049112112	581, 605
	9049112113	581, 605
	9904107731	654, 657
SHIM, .004	9904101395	687
SHIM, .007	9904101396	687
SHIM, .010	9904101397	687
SHIM, .020	9904101398	687
SHIM, INNER	4174910153	11
SHIM, OUTER	4174910154	11
SHOCK, MOUNTING	7638000044	731, 785
S-HOOK, STANDARD	7601000955	27, 45, 47, 49, 51, 57, 61, 65, 103
SHOULDER BOLT	80018314	353
SHROUD	80022139	789
SHROUD ASSY. FAN MTG.	90018837	235
SHROUD, FAN	90019727	735
SHROUD,FAN	9726100286	781
SIDE PANEL	80023927	551

From - SHIM

To - SIDE PANEL

Manitowoc Cranes

Alphabetical Index	Appendix A	
Description	Part	Page
VALVE, CART.	9926112557	541
VALVE, CART. & COIL ASSY. 12V.	9926113140	515
	9926113174	515
VALVE, CART. COUNTER BALANCE	9926113144	259
VALVE, CART.ASY.FLOW REGULATOR	90016510	517
VALVE, CART.SEQUENCE @5200 PSI	90011748	259
VALVE, CARTRIDGE	9926106474	161, 511
	9926109894	511
	9926111876	517
	9926112202	155, 156, 157, 158
	9926112450	155, 156, 157, 158
	9926112986	509
VALVE, CARTRIDGE DIRECTIONAL	9926112992	511
VALVE, CHECK	9926111878	511
VALVE, CHECK CARTRIDGE	9926113089	511
VALVE, CHECK PO	80012095	451
VALVE, DRAIN	7926000557	789
VALVE, FLOW ADJUSTABLE	80012673	505
VALVE, INLET CHECK	7926002156	375
VALVE, IN-LINE CHECK	7926001893	533
VALVE, RELIEF	80007930	537
	9926112195	153, 154, 155, 156
	9926112217	153, 158
VALVE, RELIEF CART., @ 2500 PSI	9926113090	511
VALVE, SHUT-OFF	7926002329	643
VALVE,PRESS.REDUCING 250 PSI	90012924	161
VALVE-BRAKE PEDAL	80010174	317
VALVE-DRAIN COCK	7926000014	637
VENT	9880100157	749
WARNING LIGHT-MODIFIED	80026611	767
WASHER	90014307	295
	90019812	364
	9364101903	627
	9437100857	501
	9576101118	127
	9576101124	127
	9576101129	128
	9722105437	707
	9904101392	651

From - VALVE, CART.

To - WASHER

Manitowoc Cranes

Numerical Index		Appendix B
Part	Description	Page
6949000247	WASHER, 2 1/2"O.D.X 1 5/8"I.D.	47
6949000572	WASHER (SHIM)	445
6970100239	TIRE AND WHEEL ASSEMBLY -	619
7005100009	ACCUMULATOR	151
7005100012	ACCUMULATOR	151
7013000072	ADAPTER	771
7013000156	ELBOW	771
7013000384	ADAPTER, REDUCING	449
7013001123	ADAPTER	387
7013001237	ADAPTER, COUNTER-BALANCE	18, 21
7013100023	ADAPTER	644
7013100029	ADAPTER, 08 ORB TO 08 BEADLOCK	231, 737
7013100030	ADAPTER, 08 ORB TO 10 BEADLOCK	231, 737
7013100039	ADAPTER (M14 TO 1/4-18 NPT)	745
7025000821	ALARM, FAST PULSE BUZZER	398
7025000836	ALARM, BACK-UP	469
7025100013	HORN	309
7033001063	PAD, ARMREST	333
7049101525	AXLE ASSEMBLY - FRONT DRIVE STEE	593
7049101526	AXLE ASSEMBLY - REAR DRIVE STEER	567
7069000078	CONE, BEARING	681
7069000109	BEARING, PLANET CAGE AND SHAFT	37
7069000175	CLOSURE, BEARING	53, 55, 59, 105
7069000183	CONE, BEARING	53, 55, 59, 105
7069000238	BEARING	135
7069000323	BEARING, TURNTABLE	121
7069000516	BEARING	287
7069001045	BEARING	288
7069001082	BEARING	353
7069100045	CLOSURE	37
7086000875	STRIP, TERMINAL	412
7086000947	BLOCK, FUSE	411
7086001082	HOLDER, FUSE	398
7086001800	BLOCK, TERMINAL	334
7086100002	BLOCK	287
7086100106	SWINGBLOCK LOCK-CAST	135

From - 6949000247

To - 7086100106

Manitowoc Cranes

Numerical Index		Appendix B
Part	Description	Page
7372100255	CYLINDER ASSEMBLY - 5" LOCKOUT	567
7373100117	KIT, CYLINDER SEAL	18
7373100118	KIT, CYLINDER SEAL	21
7376007213	DECAL - DANGER COUNTERWEIGHT	803, 839
7376007239	DECAL - AUXILIARY BOOM NOSE	818
7376007249	DECAL - CAUTION LIFTING	820
7376007250	DECAL - DANGER BOOM NOT WALKWAY	807, 843
7376007370	DECAL - NO STEP	795, 831
7376007378	DECAL - DANGER AUXILIARY BOOM NO	816
7376007441	DECAL - DANGER OUTRIGGER MID EXT	795, 831
7376007446	DECAL - DANGER REVOLVING TIRES	799, 835
7376007527	DECAL- DANGER COUNTERWEIGHT CRUS	857
7376007621	DECAL - CAUTION PUMP	816
7376008180	DECAL- DANGER COUNTERWEIGHT CRUS	857
7376009372	DECAL - MID-EXTEND OUTRIGGERS >	799, 835
7376009373	DECAL - MID-EXTEND OUTRIGGERS <	799, 835
7376009502	DECAL - EMERGENCY EXIT	795, 831
7376009507	DECAL - CAUTION ARMREST	795, 831
7376009535	DECAL - DANGER CRUSHING/TIPPING	857
7376009555	DECAL - DANGER ELECTROCUTION HAZ	799, 835
7376010998	DECAL - NO STEP	799, 835
7376011000	DECAL - DANGER QUALIFIED OPERATO	795, 831
7376011062	DECAL - DIESEL	819
7376011087	DECAL - DANGER OUTRIGGER CRUSHIN	799, 835
7376011211	DECAL - LEFT HAND CONTROLS	815
7376011335	DECAL - HYDRAULIC OIL	799, 835
7376011353	DECAL - RIGHT HAND CONTROLS	817
7376011354	DECAL - LEFT HAND CONTROLS	815
7376011364	DECAL - FAN DANGER	799, 835
7376011386	DECAL - CAUTION PIN SWING	795, 831
7376011416	DECAL - ROTATING BLADES	825
7376100079	DECAL-DANGER CABLE WEDGE	803, 816, 839
7376100080	DECAL - DANGER SUPERSTRUCTURE SW	795, 831
7376100089	DECAL - DANGER COUNTERWEIGHT LIF	803, 839
7376100175	DECAL - DANGER TIPPING/2 BLOCKIN	795, 831
7376100349	DECAL - DANGER COUNTERWEIGHT	854

From - 7372100255

To - 7376100349

Manitowoc Cranes

Numerical Index		Appendix B
Part	Description	Page
7555319802	HO ASY, 1/2 ID STR TO 45DEG	534
7555320803	HOSE ASSY-STR ORS- LG 90 ORS	527
7555321203	HOSE 1/2"	527
7555403601	5/8" I.D. HYDR HOSE ASSY STR-9	275
7555403803	5/8" HYD HOSE ASSY STR-LG 90	275
7555503600	3/4" I.D. X 36"	537
7555503601	3/4" X 36" HYDRAULIC HOSE	537
7555504200	3/4" I.D.	536
7555504401	3/4" I.D. X 44"	533
7555505081	HOSE ASSY, 3/4" I.D. X 50" LONG	537
7555505401	HOSE ASSY, 3/4" I.D. X 54" LONG	176
7555510260	HOSE ASSY, 3/4" ID X 102" LONG	644
7555513200	HOSE ASSY, 3/4" I.D. X 132" LONG	645
7555604212	1" HOSE ASS'Y-STR-45 ORS	533
7555604811	HOSE ASSY, 1" I.D. X 48"	175
7555605860	HOSE ASSEMBLY 1" ORFS	187
7555606160	HOSE ASSY, 1" I.D. X 61" LONG	191
7555606882	HOSE ASSY, 1" I.D. X 68" LONG	191
7555609460	HOSE ASSY, 1" ORFS ST X ST 94"	191
7555610282	1" I.D. HYDR HOSE ASSY STR-45	191
7555701692	1 1/4" I.D. HYDR HOSE ASSY STR	533
7555609802	HOSE ASSY, 3/4" I.D. X 98" LONG	646
7556802291	HYD HOSE ASSY	533
7561102003	1/4" I.D. X 20"	275
7561104203	1/4" I.D. X 42" LONG	175
7561112702	1/4" I.D. X 127" LONG	221
7561113202	HOSE ASSY	369
7561113702	1/4" I.D. X 137"	219, 221
7561114402	HOSE ASSY, 1/4" STR-45 HYD	221
7561115002	HOSE ASSY	369
7561116202	1/4" HOSE, HYDRAULIC	221
7561202217	3/8" HYDR HOSE ASSY STR-90	537
7561203017	3/8" I.D. X 30"	175
7561204216	3/8" I.D. X 45"	379
7561204616	3/8" HYD HOSE ASS'Y STR-45	379
7561205016	3/8" I.D. X 45"	379

From - 7555319802

To - 7561205016

Manitowoc Cranes

Numerical Index		Appendix B
Part	Description	Page
7790141253	SCREW, SELF-TAPPING	437
7790161253	SCREW,	284, 313, 437
7791101060	SCREW, PAN HEAD SELF-DRILL	334
7794000022	SEAL, SCRAPER	451
7794000272	CUP, BEARING	53, 55, 59, 105
7794000532	BUFFER SEAL ASSY, 5.00" ROD	17, 21
7794000568	SEAL, BUFFER	451
7794000569	SEAL	451
7794000581	SEAL	17, 21
7794000605	SEAL	451
7794000616	SEAL, ROD 5" Z-SEAL	17, 21
7794000662	SEAL ASSY, 12" PISTON	255
7794001598	SEAL	255
7794001600	SEAL, ROD	255
7794001721	RUBBER, FLOCKED 154" LONG	291
7794101571	POLYSEAL RING	18
7794101572	LOK-T SEAL	17
7798000043	SEAT, BEAD	623
7798000843	SEAT	329
7798100005	TRACK, CONTROL	313, 335
7798100006	TRACK, FREE	313, 335
7806100006	SHACKLE, 7/8" GALVANIZED	471
7814100062	COVER, GRILL	459
7814100081	FAN GUARD	785
7822000080	SLEEVE	287
7822000598	SLEEVE, VINYL	313, 335
7826000079	SOCKET, RELAY	412
7826000087	SOCKET, 16-14 GA	248, 349, 419, 433, 491
7826000092	SOCKET, (12) 12-14GA	247, 491
7826000095	SOCKET,	148, 491
7826000626	SOCKET,	248, 345, 412, 419, 427, 433, 492
7826000650	PLUG, SEALING	248, 433, 493, 724, 769
7826100004	SOCKET, (16 - 18) 30 SERIES	148, 248, 412, 433, 494, 724
7826100013	SOCKET,	492
7826100016	SOCKET, DEUTSCH 22/20 GA NI	249, 345, 433, 492

From - 7790141253

To - 7826100016

CLICK HERE TO **DOWNLOAD** THE COMPLETE MANUAL

- Thank you very much for reading the preview of the manual.
- You can download the complete manual from: www.heydownloads.com by clicking the link below



- Please note: If there is no response to CLICKING the link, please download this PDF first and then click on it.

CLICK HERE TO **DOWNLOAD** THE COMPLETE MANUAL