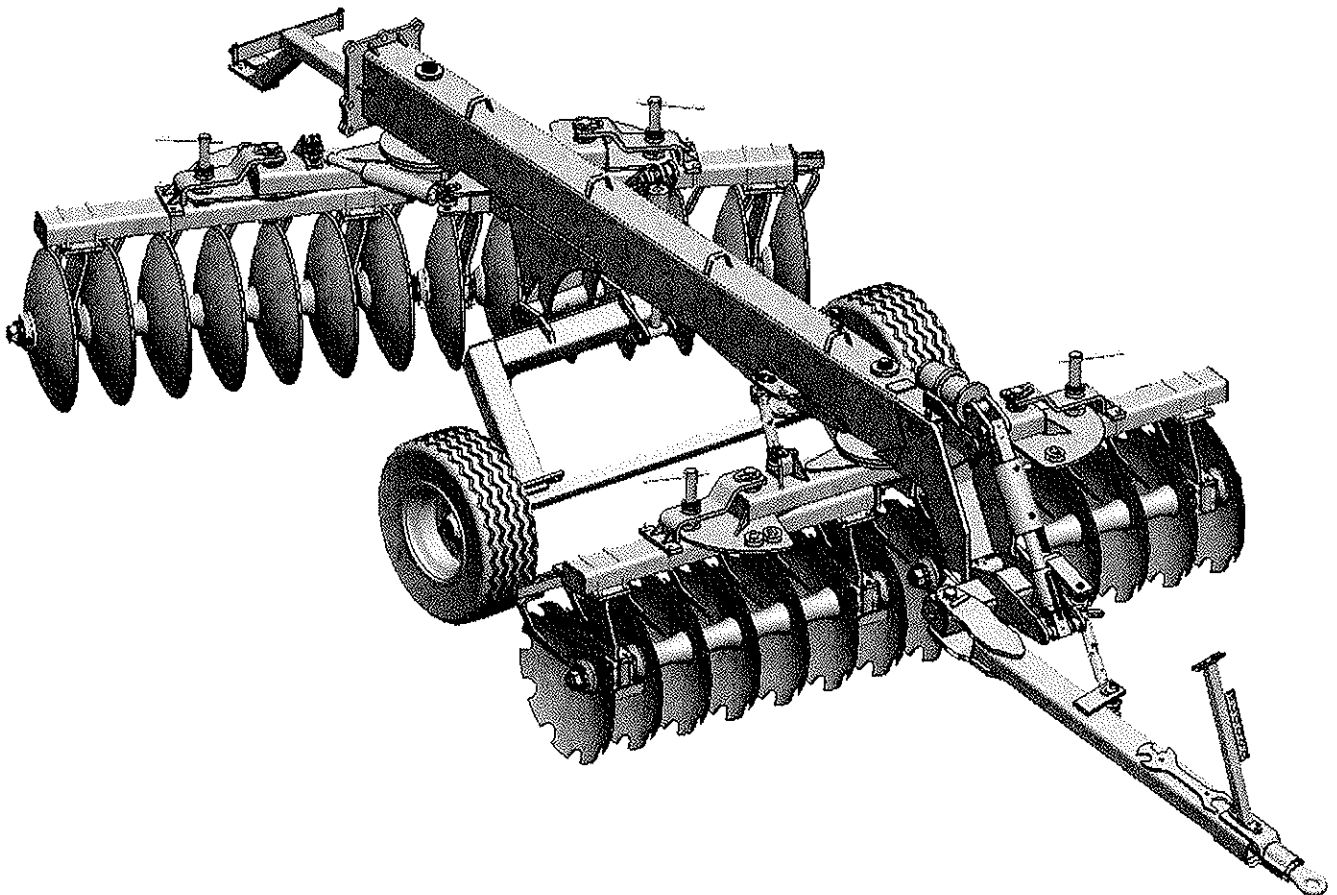


PIECES DE RECHANGE

COVER – CROP en << V >>
GAMME Class' VR Pro
Juillet 2008



GRÉGOIRE  **BESSON**

49230 MONTFAUCON-MONTIGNE / FRANCE
TEL. (+33) 2 41 64 72 67 - FAX (+33) 2 41 64 67 73
Email : Contactfr@gregoire-besson.fr
Web : www.gregoire-besson.fr

CLICK HERE TO **DOWNLOAD** THE COMPLETE MANUAL

- Thank you very much for reading the preview of the manual.
- You can download the complete manual from: www.heydownloads.com by clicking the link below



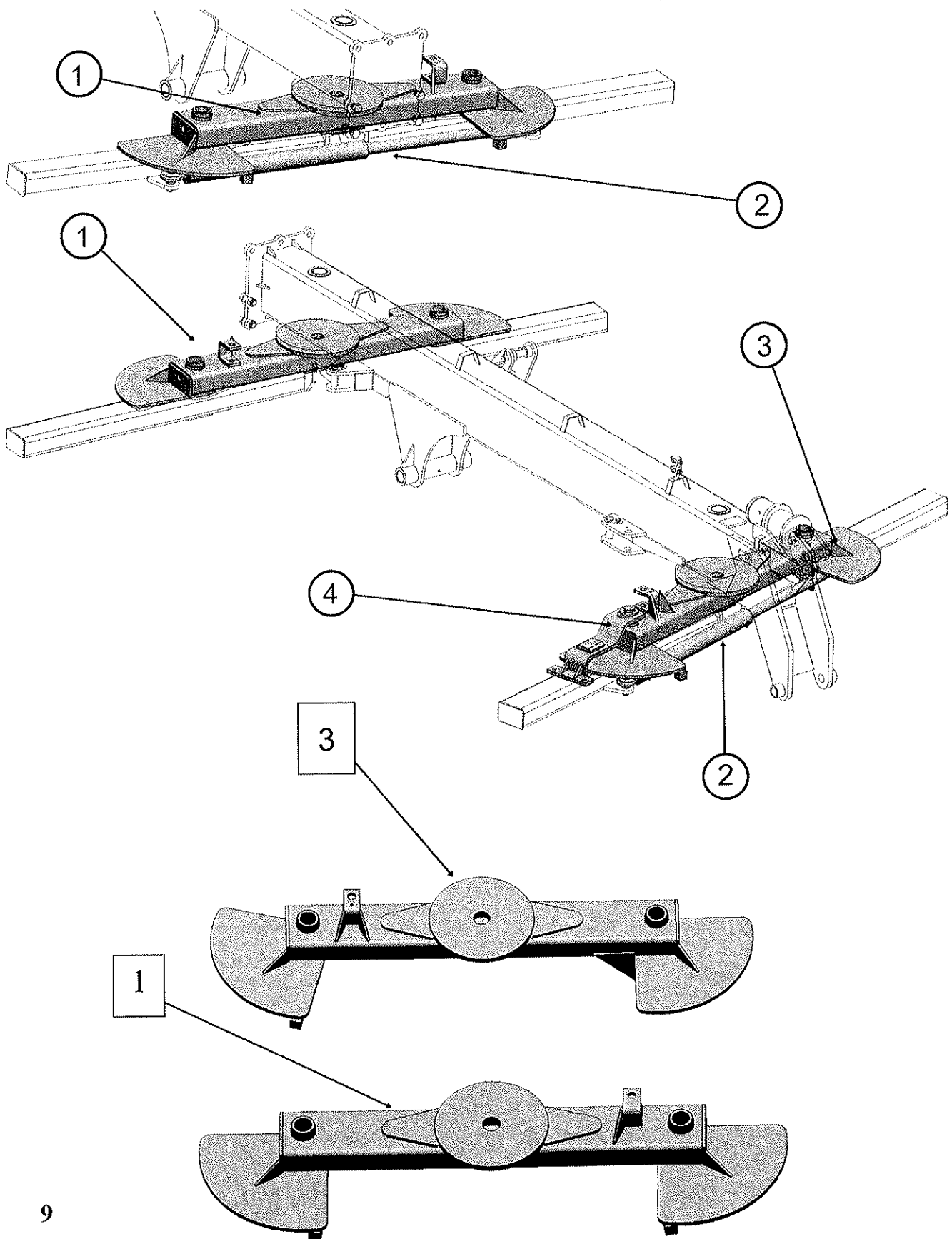
- Please note: If there is no response to CLICKING the link, please download this PDF first and then click on it.

CLICK HERE TO **DOWNLOAD** THE COMPLETE MANUAL

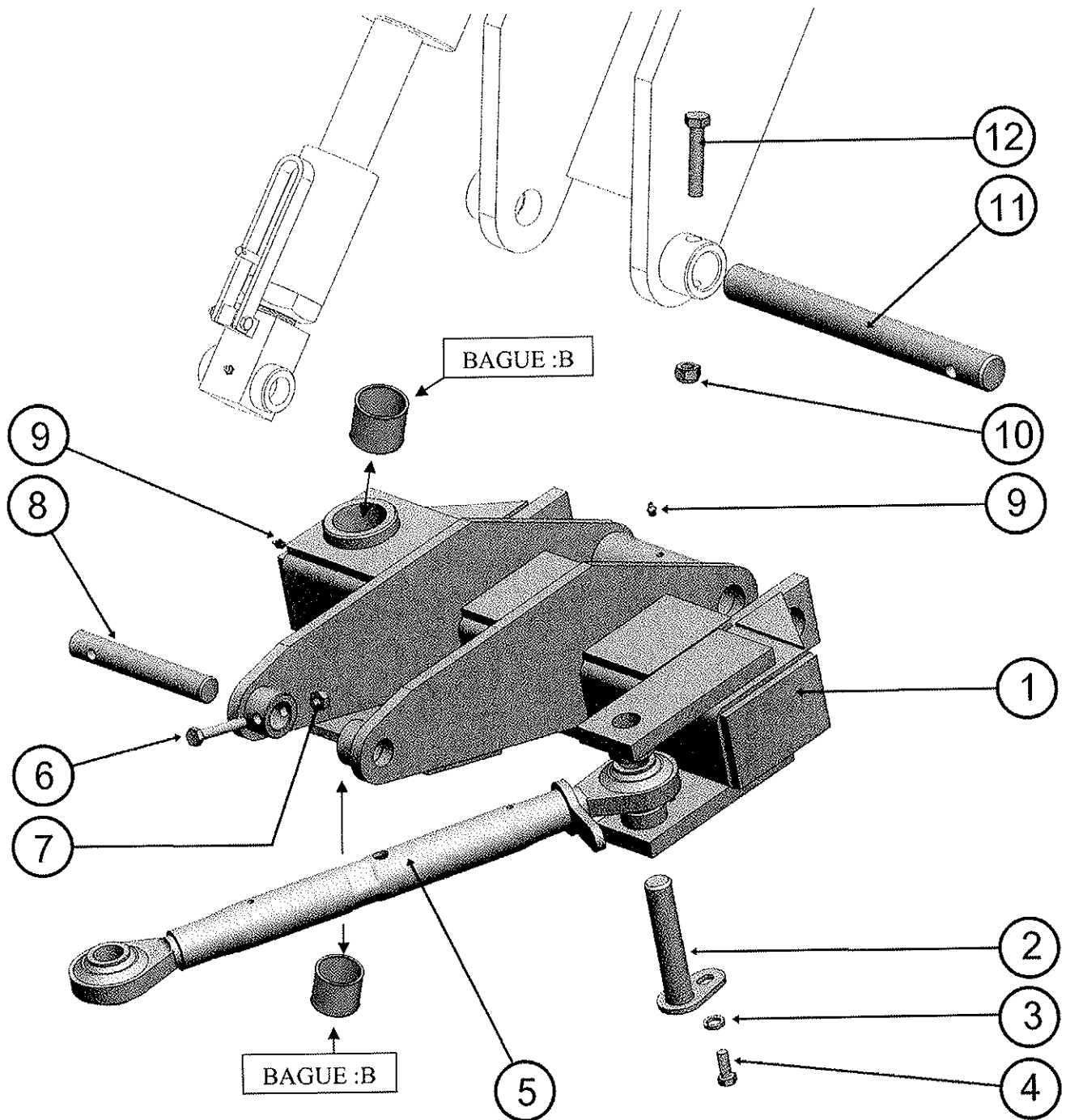
SUPPORT DE POUTRE

TRAIN DE DISQUES

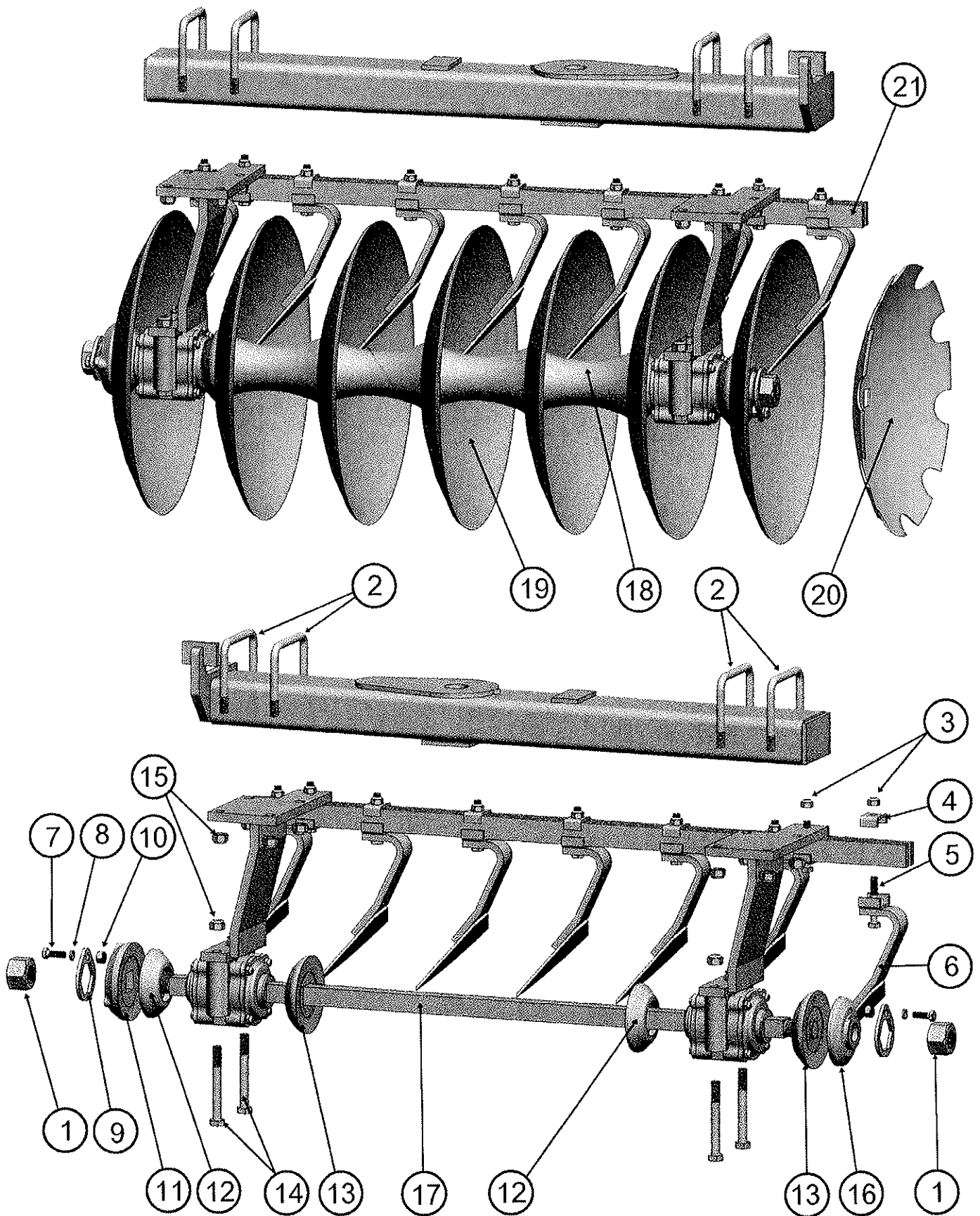
Repliage Hydraulique



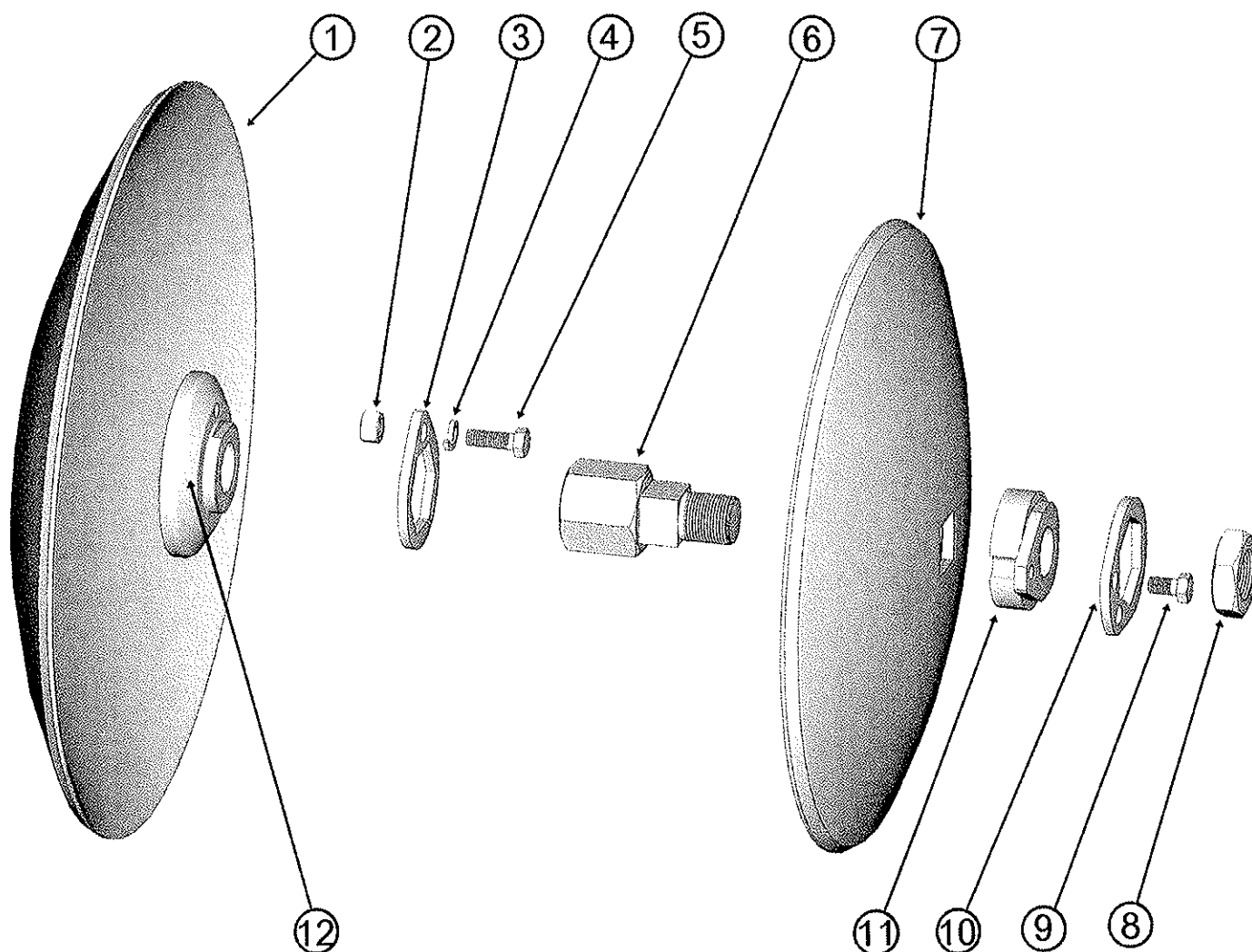
SUPPORT DE FLECHE SUR V.M.P



TRAIN DE DISQUES << V.M.P''>>



KIT COMPLET POUR MONTAGE DISQUE ANTI - PROJECTION << 2005 >>



CLICK HERE TO **DOWNLOAD** THE COMPLETE MANUAL

- Thank you very much for reading the preview of the manual.
- You can download the complete manual from: www.heydownloads.com by clicking the link below



- Please note: If there is no response to CLICKING the link, please download this PDF first and then click on it.

CLICK HERE TO **DOWNLOAD** THE COMPLETE MANUAL