

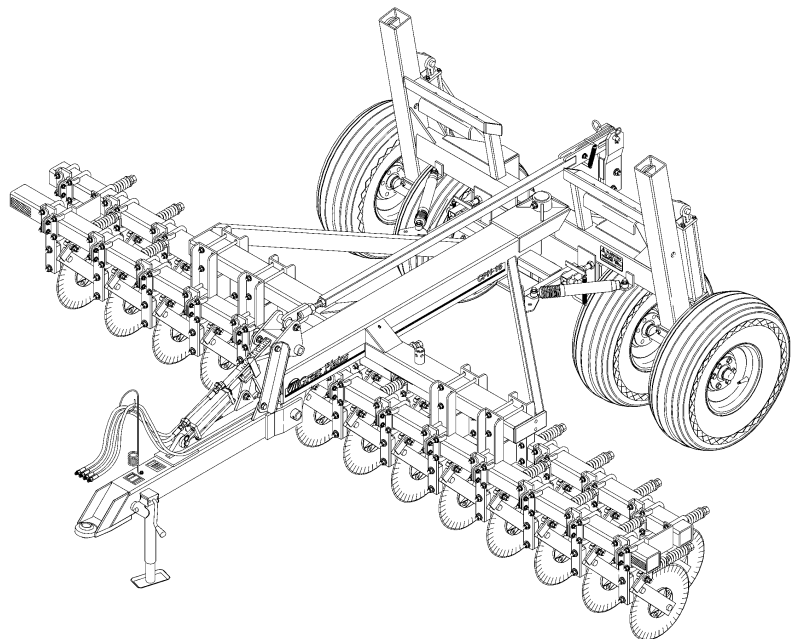
---

# Parts Manual

CPH-12, CPH-15, & CPH-20  
Center Pivot Hitch  
1994+



*Read the Operator's manual entirely. When you see this symbol, the subsequent instructions and warnings are serious - follow without exception. Your life and the lives of others depend on it!*



12074

*Cover illustration may show optional equipment not supplied with standard unit.*

CLICK HERE TO **DOWNLOAD** THE COMPLETE MANUAL

- Thank you very much for reading the preview of the manual.
- You can download the complete manual from: [www.heydownloads.com](http://www.heydownloads.com) by clicking the link below



- Please note: If there is no response to CLICKING the link, please download this PDF first and then click on it.

CLICK HERE TO **DOWNLOAD** THE COMPLETE MANUAL

## ***Tool Bar***

---

**(Applies to CPH12 (1994+), CPH15 (1994+), CPH20 (1994+) only)**

<b>Ref</b>	<b>Part No.</b>	<b>Part Description</b>	<b>Comments</b>	<b>Revision</b>
	dwg11981	Image No.		
1.	817-155C	4 X 4 1/4 END CAP		
1.	817-154C	4 X 4 X 3/16 END CAP		
2.	804-022C	WASHER LOCK SPRING 5/8 PLT		
3.	803-021C	NUT HEX 5/8-11 PLT		
4.			Coulter Assembly refer to "Coulter (S/N 9791Z-)"	
5.	149-072D	COULTER BAR CLAMP		
6.	804-019C	WASHER FLAT 5/8 USS PLT		
7.	802-335C	HHCS 5/8-11X6 1/2 GR5		
8.	149-073D	COULTER BAR CHANNEL BRACE		
9.	802-262C	HHCS 5/8-11X7 GR5		
10.	802-208C	HHCS 5/8-11X8 GR5		
11.	806-105C	U-BOLT 5/8-11 4 1/32 X 6		
12.	149-069D	12' COULTER TOOL BAR TUBE		
12.	149-070D	15' COULTER TOOL BAR TUBE		
12.	149-071D	20' COULTER TOOL BAR TUBE		
13.	149-074D	COULTER TOOL BAR TIE STRAP		

***Coulter (S/N 9791Z-)***

**(Applies to CPH12 (1994+), CPH15 (1994+), CPH20 (1994+) only)**

<b>Ref</b>	<b>Part No.</b>	<b>Part Description</b>	<b>Comments</b>	<b>Revision</b>
	dwg11932	Image No.		
1.	149-962S	RPBY 249-136A	Includes items 36,37; Replaced 149-006D	
2.	149-181E	FERT COULTER SWING ARM	Includes items 38,39	2nd rev.
2.	149-928E	RPBY 149-181E		Use existing stock; 1st rev.
3.	804-039C	WASHER FLAT 1 1/4 SAE PLT		
4.	805-021C	PIN COTTER 1/4 X 2 PLT		
5.	204-075H	COULTER SPRING ROD WLDMT		
6.	803-048C	NUT HEX JAM 3/4-10 PLT		
7.	149-559D	SPRING 2.25 O.D. X .5 COIL		2nd rev.
7.	807-074C	SPRING 2.25 OD X .5 COIL		1st rev.
8.	204-107D	SPRING ROD SLEEVE 1 1/8 OD		
9.	149-558D	COULTER SPRING WASHER		2nd rev.
9.	812-031C	CASTING COULTER SPRING WASHER		1st rev.
10.	803-181C	NUT HEX FLANGE LOCK 3/4-10 PLT		
11.	817-029C	BUSHING COULTER CASTING		
12.	204-269D	LONG COULT. SPRING BAR		2nd rev.
12.	807-138C	LONG COULTER SPRING BAR		1st rev.
13.	802-103C	HHCS 7/8-9X2 3/4 GR5		
14.	804-037C	WASHER LOCK SPRING 7/8 PLT		
15.	803-049C	NUT HEX 7/8-9 PLT		
16.	802-214C	RHSNB 1/2-13X1 1/4 GR5		
17.	816-009C	OIL-SEAL DOUBLE LIP		
18.	822-021C	BEARING CONE LM-67048		
19.	822-020C	BEARING CUP LM-67010		
20.	200-039V	COULTER HUB & CUP ASSY		
21.	200-001D	HUB GREASE CAP		
22.	800-001C	GREASE ZERK STRAIGHT 1/4-28		
23.	200-002S	COULTER HUB PACKAGE	Includes items 17, 18, 19, 20, 22	
24.	805-017C	PIN COTTER 3/16 X 1 3/4 PLT		
25.	820-018C	COULTER BLADE FLUTED		
25.	820-116C	17 COULTER BLADE 5/8 WAVY		
25.	820-082C	17 COULTER BLADE 3/4 WAVY		
25.	820-156C	5/8 WAVY TURBO BLADE		
26.	804-015C	WASHER LOCK SPRING 1/2 PLT		
27.	803-020C	NUT HEX 1/2-13 PLT		
28.	804-055C	WASHER SPINDLE - 7/8		
29.	803-029C	NUT HEX SLOTTED 7/8-14 PLT		
30.	806-105C	U-BOLT 5/8-11 4 1/32 X 6		
31.	804-022C	WASHER LOCK SPRING 5/8 PLT		
32.	803-021C	NUT HEX 5/8-11 PLT		
33.	149-059D	COULTER CLAMP BAR		
34.	802-082C	HHCS 1/2-13X1 3/4 GR5		
35.	817-051C	SWING ARM BUSHING		
36.	890-389C	BUSHING 1.50ODX1.25IDX2.94		
37.	149-552D	RPBY 249-136A		
38.	149-004D	COULTER PIVOT SHAFT		
39.	201-006D	SPINDLE COULTER		

## ***Transport Cylinder 810-191C***

---

**(Applies to CPH12 (1994+), CPH15 (1994+), CPH20 (1994+) only)**

<b>Ref</b>	<b>Part No.</b>	<b>Part Description</b>	<b>Comments</b>	<b>Revision</b>
	dwg11715	Image No.		
1.	1M7016	CLEVIS ROD MIDWAY		
2.	2M5434	MW ROD		
3.	3R2412	MW HEAD		
4.	4R2106	RPBY 4R2108		
5.	5R2132	MW TUBE		
6.	6R2164	BASE MIDWAY		
7.	7M5412	MW TIE ROD		
8.		WIPER SEAL	Only available in item 20.	
9.		O-RING	Only available in item 20.	
10.		BACK-UP	Only available in item 20.	
11.		O-RING	Only available in item 20.	
12.		BACK-UP	Only available in item 20.	
13.		TEFLON SEAL	Only available in item 20.	
14.		LOADER O-RING	Only available in item 20.	
15.		WEAR RING	Only available in item 20.	
16.	2A0024	MW PISTON NUT 1-14		
17.	2A0016	MW TIE ROD NUT		
18.	2A0012	RPBY 803-234C		
19.	2A0006	RPBY 802-023C		
20.	810-173C	SEAL KIT MW 3.25 RPHCYL 4A2104		

## ***Coulter Depth Control Hydraulics (Options)***

---

(Applies to CPH12 (1994+), CPH15 (1994+), CPH20 (1994+) only)

<b>Ref</b>	<b>Part No.</b>	<b>Part Description</b>	<b>Comments</b>	<b>Revision</b>
	dwg13182	Image No.		
1.	148-266S	6 CYL DEPTH CHANNEL ASY		
2.	805-152C	BENT PIN 3/8 X 2 1/2 USE W/COT		

## **Marker Assembly**

**(Applies to CPH12 (1994+) only)**

<b>Ref</b>	<b>Part No.</b>	<b>Part Description</b>	<b>Comments</b>	<b>Revision</b>
	dwg24482	Image No.		
1.	811-169C	EL 9/16MJIC 9/16FJIC		
2.	811-170C	AD 9/16MORB 9/16MJIC		
3.	802-318C	HHCS 3/8-16X5 GR5		
4.	804-013C	WASHER LOCK SPRING 3/8 PLT		
5.	803-014C	NUT HEX 3/8-16 PLT		
6.	113-538H	MARKER MOUNTING BRACKET WLMT		
7.	806-008C	U-BOLT 5/8-11 X 4 X 5 1/4		
8.	804-022C	WASHER LOCK SPRING 5/8 PLT		
9.	803-021C	NUT HEX 5/8-11 PLT		
10.	804-035C	WASHER FLAT 1 1/4 USS PLT		
11.	805-060C	PIN COTTER 7/32 X 2		
12.	890-340C	BUSH1 1/2ODX1 1/4IDX1 1/4LG GG		
13.	802-099C	HHCS 1/2-13X3 1/4 GR5		
14.	113-534H	MARKER HINGE WELDMENT		
15.	803-147C	NUT HEX NYLOCK 1/2-13		
16.	803-011C	NUT LOCK 5/16-18 PLT		
17.	800-001C	GREASE ZERK STRAIGHT 1/4-28		
18.	805-187C	PIN CLEVIS 1 X 2 1/4 GR5 PLT		
19.	113-539H	MARKER PIVOT PIN WLMT		
20.	810-269C	CYL 2X14X1.12 ROD (TIE ROD)		
21.	113-546D	MARKER LINK ARM		
22.	890-005C	BUSHING CYL 1 1/4 X 1 X 1		
23.	113-536H	MARKER ARM WELDMENT		
24.	816-170C	RD BUMP STOP 2 X 1 X 1/2-13		
25.	802-130C	HHCS 1/2-13X2 1/2 GR5		
26.	806-004C	U-BOLT 3/8-16 X 2 X 2 3/4		
27.	803-078C	NUT LOCK 3/8-16 NYLON INSERT		
28.	113-548D	MARKER DISC MOUNTING TUBE		
29.	802-012C	HHCS 5/16-18X1 1/2 GR5		
30.	818-579C	DECAL WARNING PINCH/SHEAR HAZ		
31.	818-580C	DECAL WARNING OVERHEAD MKR HAZ		
32.	113-535H	MARKER CYLINDER CHANNEL WLMT		
33.	800-150C	CABLE TIE 22.2 LONG REL.		
34.	805-058C	PIN COTTER 3/16 X 2		
35.	804-028C	WASHER FLAT 1 USS PLT		
36.	804-015C	WASHER LOCK SPRING 1/2 PLT		
37.	818-229C	DECAL AMBER REFLECTOR		
38.	804-036C	WASHER FLAT 5/16 SAE PLT		

CLICK HERE TO **DOWNLOAD** THE COMPLETE MANUAL

- Thank you very much for reading the preview of the manual.
- You can download the complete manual from: [www.heydownloads.com](http://www.heydownloads.com) by clicking the link below



- Please note: If there is no response to CLICKING the link, please download this PDF first and then click on it.

CLICK HERE TO **DOWNLOAD** THE COMPLETE MANUAL