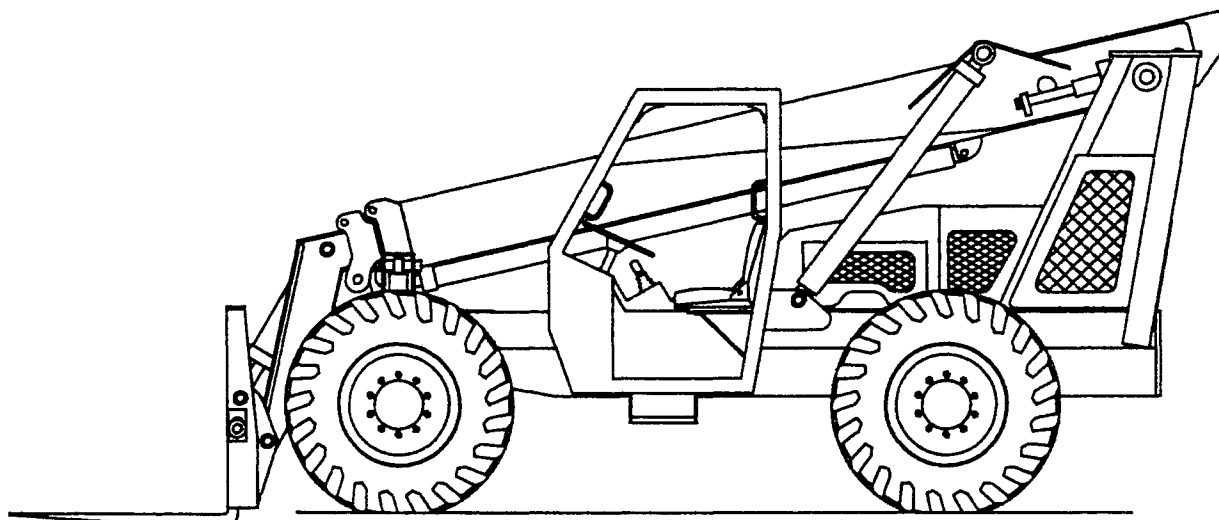


# SQUARE SHOOTER PARTS BOOK SS-836



DATE: 9-12-96

JOHN DEERE POWERTECH 4045D ENGINE  
OR OPTIONAL

JOHN DEERE POWERTECH 4045T ENGINE

7-316 HYDRAULIC CYLINDERS

INTERMEDIATE DROP TRANSMISSION

VICKERS HYDRAULIC PUMP

BARAGA PRODUCTS, INC.  
455 N. Superior Ave.  
Baraga, MI 49908-0248  
Ph. (906) 353-6675 Fax (906) 353-7543

CLICK HERE TO **DOWNLOAD** THE COMPLETE MANUAL

- Thank you very much for reading the preview of the manual.
- You can download the complete manual from: [www.heydownloads.com](http://www.heydownloads.com) by clicking the link below

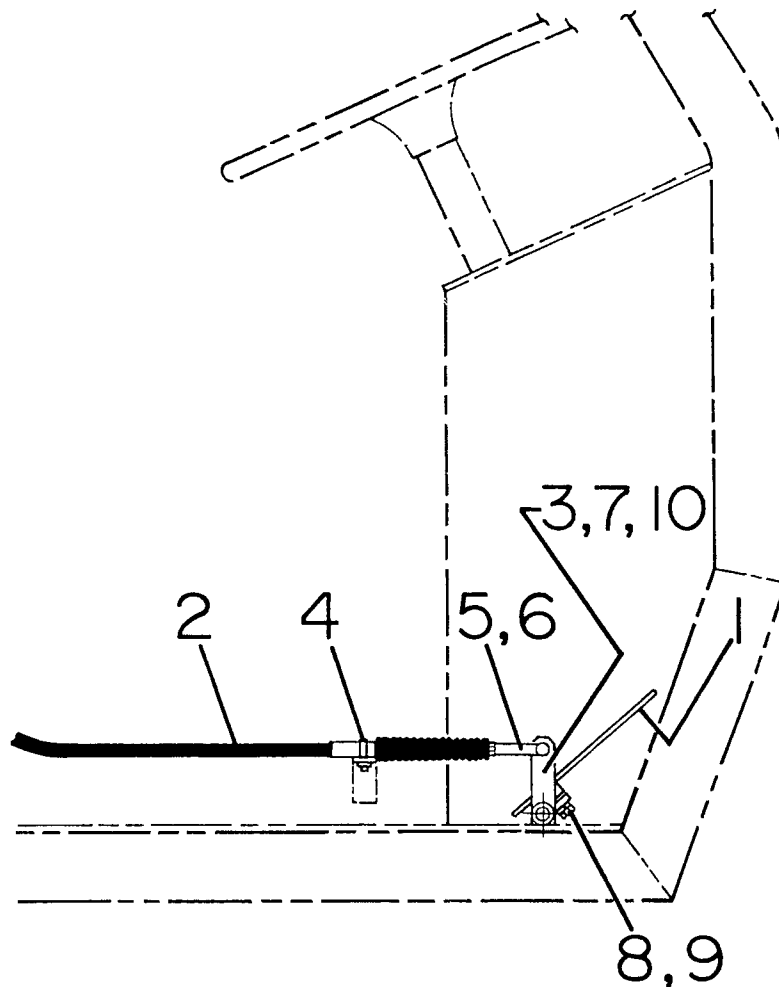


- Please note: If there is no response to CLICKING the link, please download this PDF first and then click on it.

CLICK HERE TO **DOWNLOAD** THE COMPLETE MANUAL

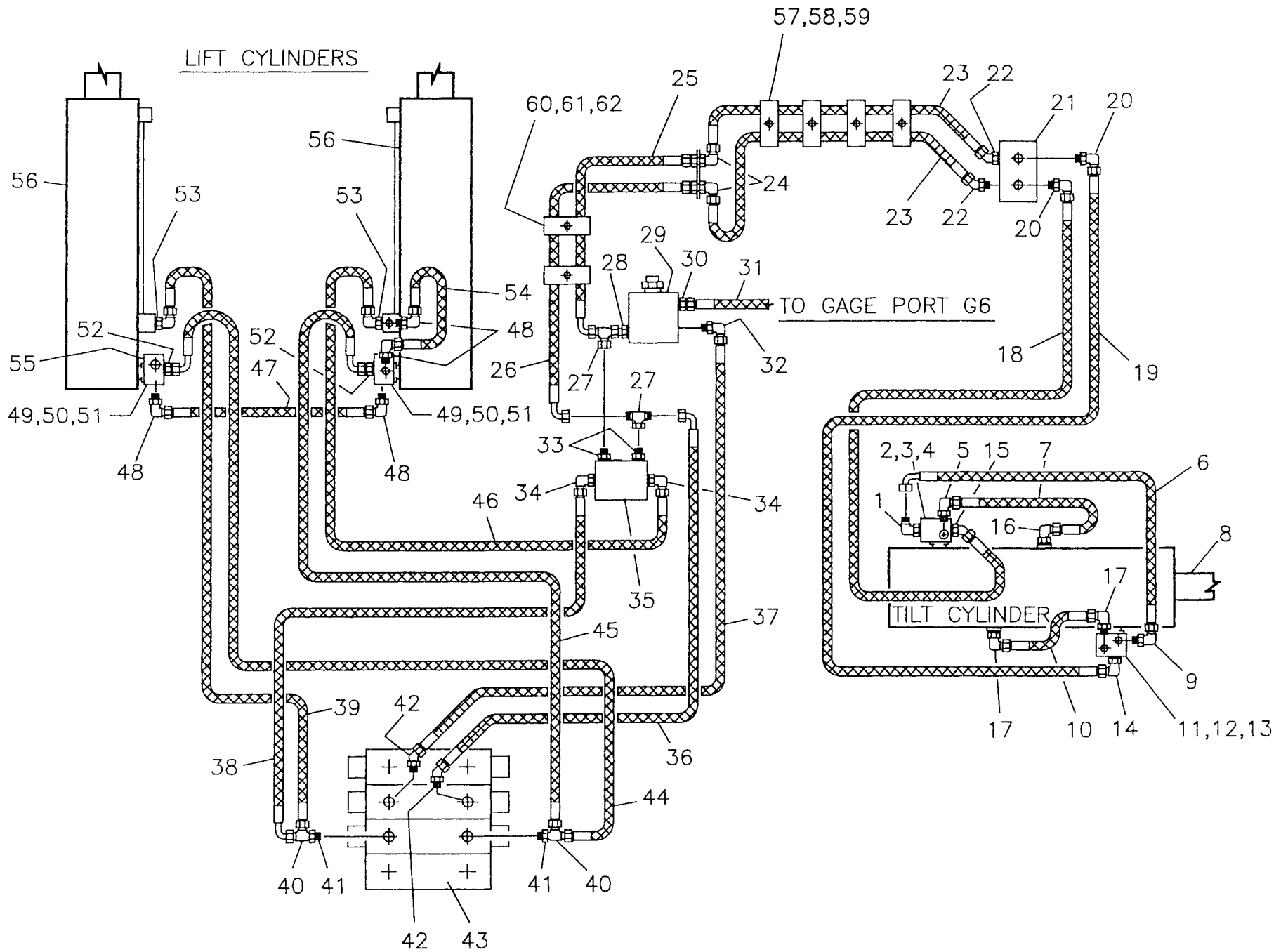
ITEM	NUMBER	DESCRIPTION	REQD
1	7-331-01	STEERING ORBITRAL	REF
2	7-331-02	STEERING COLUMN	1
3	7-318-01	STEERING WHEEL	1
4	7-318-02	HORN BUTTON KIT	1
5	7-122-05	NUT / STEERING WHEEL	1
6	6-5206-18	CAPSCREW 3/8 NC x 2 1/4 LG.	2
7	6-6211-06	LOCKWASHER 3/8	4
8	6-6212-06	FLATWASHER 3/8	2
9	7-200-81	CONTROLLER / 4-WAY	REF
10	6-5204-08	CAPSCREW 1/4 NC x 1 LG.	4
11	6-6211-04	LOCKWASHER 1/4	4
12	6-6212-04	FLATWASHER 1/4	4
13	6-6201-04	HEX NUT 1/4 NC	4
14	7-217-01	SELECTOR VALVE	REF
15	6-5205-06	CAPSCREW 5/16 NC x 3/4 LG.	4
16	6-6211-05	LOCKWASHER 5/16	4
17	7-197-01	SEAT	1
18	6-6211-05	LOCKWASHER 5/16	4
19	6-6201-05	HEX NUT 5/16 NC	4
20	7-337-01	SEAT BELT	1
21	6-5206-06	CAPSCREW 3/8 NC x 3/4 LG.	2
22	4-1598-1	SEAT SUPPORT	1
23	4-1598-2	SEAT MOUNT	1
24	6-5205-08	CAPSCREW 5/16 NC x 1 LG.	4
25	6-5205-32	CAPSCREW 5/16 NC x 4 LG.	2
26	6-6211-05	LOCKWASHER 5/16	6
27	6-6201-05	HEX NUT 5/16 NC	6
28	7-283-01	LEVEL GAGE	1
29	6-6284-03	MACHINE SCREW 8-32 x 1 LG.	2
30	6-6286-02	HEX NUT 8-32	2
31	6-6286-11	STARWASHER / INTERNAL #8	2
32	6-6286-10	FLATWASHER / #8	2
33	1-1029	SPACER / ORBITRAL	2

ITEM	NUMBER	DESCRIPTION	REQD
55	6-6301	LUBE FITTING 1/8 NPT ST.	6
56	6-6600-02	THRUST WASHER 3/16 x 3 OD	4
57	6-6600-03	THRUST WASHER 3/16 x 3 OD	2
58	4-1074-5	ROLLER / BOTTOM-FRONT-LARGE	2
59	4-1074-4	ROLLER / TOP-FRONT-LARGE-MIDDLE	4
60	6-6215-24	FLATWASHER 1 1/2	8
61	4-1073-5	PIN / TOP-FRONT-LARGE	1
62	4-1073-6	PIN / BOTTOM-FRONT-LARGE	1
63	3-1035-3	CHAIN ANCHOR / THD. 646	2
64	2-1052-1	PIN / CHAIN ANCHOR	5
65	1-1012	LEAF CHAIN / 646	2
66	2-1090	PIN / BASE BOOM CYLINDER	REF
67	6-5206-22	CAPSCREW 3/8 NC x 2 3/4 LG.	REF
68	1-1011	ROLLER CHAIN / 60 (1)	REF
69	7-193-06	NEEDLE BEARING / 2 ID	8
70	4-1074-6	ROLLER / BOTTOM-FRONT-MIDDLE	2
71	4-1074-7	CHAIN SHEAVE / 646	2
72	4-1073-4	PIN / TOP-FRONT-MIDDLE	1
73	4-1073-7	PIN / BOTTOM-FRONT-MIDDLE	1
74	4-1073-8	PIN / COPY IDLER SPROCKET (1)	REF
75	4-1073-9	PIN / COPY SPROCKET (1)	REF
76	4-1079-3	SPROCKET / 11 TEETH (1)	REF
77	4-1079-2	SPROCKET / 17 TEETH (1)	REF
78	7-193-03	NEEDLE BEARING / 3/4 ID (1)	REF
79	6-7014-294	HOSE / 08 x 10 x 147 LG.	REF
80	6-7014-294	HOSE / 08 x 10 x 147 LG.	REF
81	6-6238-14	ROLL PIN 3/8 x 1 3/4 LG. (1)	REF
82	6-6236-10	ROLL PIN 1/4 x 1 1/4 LG. (1)	REF
83	7-273-14	CLAMP ASSY / 1/2 HOSE / DOUBLE	REF
84	6-6201-08	HEX NUT 1/2 NC	REF
85	2-1051	MANIFOLD BLOCK	REF
86	6-5206-06	CAPSCREW 3/8 NC x 3/4 LG.	6
87	3-1089	COVER / REAR ACCESS	1
88	3-1039-2	CHAIN ANCHOR / COPY (1)	REF
89	3-1038	CHAIN ADJUSTER (1)	REF
90	7-261-04	CONNECTING LINK / WITH CLIP (2)	REF
91	3-1037-2	CHAIN ANCHOR / 666	1
92	6-6215-16	FLATWASHER 1.0	3
93	6-6202-10	JAM NUT 5/8 NF (1)	REF
94	6-7004-690	HOSE / 08 x 08 x 345 LG.	REF
95	6-5208-30	CAPSCREW 1/2 NC x 3 3/4 LG.	REF
96	7-316-03	CYLINDER / TILT	REF
97	3-1054-1	PIN / BASE TILT CYLINDER	REF
98	2-1050	CLAMP / 1/2 HOSE	1
99	6-5206-18	CAPSCREW 3/8 NC x 2 1/4 LG.	2
100	7-142-01	SELF-LOCKING NUT / 1.00-12 THD.	4
101	2-1087-1	ADJUSTER ROD	1
102	6-6275-05	SETSCREW 5/8 NC x 1 LG.	1
103	3-1091	GUARD / TILT VALVE	1
104	7-194-01	SPRING / COMPRESSION	1
105	6-5208-40	CAPSCREW 1/2 NC x 5 LG.	REF
106	6-6452-04	FITTING / 08 OR x 08 JIC 45	REF
107	6-6453-09	FITTING / 08 OR x 08 JIC 90	REF
108	2-1087-2	SPACER	1



ITEM	NUMBER	DESCRIPTION	REQD
1	3-1080	PEDAL / ACCELERATOR	1
2	7-266-02	CABLE / ACCELERATOR	1
3	3-1081	LINKAGE / ACCELERATOR	1
4	7-194-07	U-BOLT W/ NUTS	1
5	7-194-05	YOKE W/ CLEVIS PIN & COTTER PIN	1
6	6-6208-04	JAM NUT 1/4-28 W/ CABLE	REF
7	6-6306	LUBE FITTING / 1/4-28 STR.	3
8	6-5204-08	CAPSCREW 1/4 NC x 1 LG.	2
9	6-6211-04	LOCKWASHER 1/4	2
10	7-194-06	SHIM / AS REQD	2

ITEM	NUMBER	DESCRIPTION	REQD
1	7-172-02	GAGE / FUEL	REF
2	7-172-04	GAGE / ENGINE OIL PRESSURE	REF
3	7-172-10	GAGE / VOLTMETER	REF
4	7-172-08	GAGE / ENGINE WATER TEMP.	REF
5	7-172-11	GAGE / TRANSMISSION OIL PRESSURE	REF
6	7-172-06	GAGE / TRANSMISSION OIL TEMP.	REF
7	7-127-10	SWITCH / IGNITION / KEY	REF
8	7-268-01	FUSE HOLDER / MAIN / IGNITION	REF
9	7-319-02	SWITCH / HEADLIGHTS	REF
10	7-127-04	SWITCH / SWAY CONTROL	REF
11	7-338-01	HEADLIGHT	REF
12	7-200-07	SWITCH / SQUARE SHOOT	REF
13	7-206-07	RELAY / SQUARE SHOOT	1
14	7-172-16	SENDER / TRANS OIL PRESSURE	1
15	7-172-07	SENDER / TRANS OIL TEMP.	1
16	7-126-96	SWITCH / NEUTRAL START	REF
17	7-303-01	PRESSURE SWITCH / REV.	1
18	7-268-01	FUSE HOLDER / OPTIONAL / ROTATE	REF
19	7-268-01	FUSE HOLDER / GAGES / SWAY	REF
20	7-172-05	SENDER / ENGINE OIL PRESSURE	1
21	7-172-09	SENDER / ENGINE WATER TEMP.	1
22	7-183-18	RELAY / STARTER	REF
23	7-231-02	PRESSURE SWITCH / HOURMETER	1
24	7-172-01	HOURMETER	1
25	7-251-01	BATTERY / 12 VOLT	1
26	7-136-02	LIGHT / BACK-UP	REF
27	7-136-03	LIGHT / TAIL-BRAKE	REF
28	7-213-01	BACK-UP ALARM	1
29	7-244-12	COIL / SQUARE SHOOT	REF
30	7-244-12	COIL / SWAY CONTROL	REF
31	7-206-03	PRESSURE SWITCH / BRAKE LIGHT	REF
32	7-228-01	HORN	1
33	7-206-04	RELAY / HORN	1
34	7-268-01	FUSE HOLDER / SQ. SHOOT / BRAKE	REF
35	4-1135	HARNESS / MAIN POWER / VALVE	1
36	4-1134	HARNESS / INSTRUMENT PANEL	1
37	3-1070	HARNESS / TRANSMISSION	1
38	4-1106	HARNESS / ENGINE	1
39	7-172-03	SENDER / FUEL	1
40	6-7801-180B	BATTERY CABLE / RED	1
41	6-7802-88B	BATTERY CABLE / BLACK	1
42	7-281-01	DIODE / PUMP DESTROKE	1
43	6-5204-04	CAPSCREW 1/4 NC x 1/2 LG.	1
44	6-6211-04	LOCKWASHER 1/4	1
45	6-5206-04	CAPSCREW 3/8 NC x 1/2 LG.	2
46	6-6211-06	LOCKWASHER 3/8	2
47	7-268-01	FUSE HOLDER / HORN	REF
48	7-281-01	DIODE / ALTERNATOR	1
49	7-319-03	PUSHBUTTON / PUMP DESTROKE	REF
50	2-1122	HARNESS / PUMP DESTROKE	1
51	1-1123	HARNESS / CONTROLLER RELIEF	1
52	7-244-50	VALVE / CONTROLLER RELIEF	REF



ITEM	NUMBER	DESCRIPTION	REQD
1	6-6453-06	FITTING / 06 OR x 06 JIC 90	4
2	6-6455-05	FITTING / 06 OR x 06 JIC RN-TEE	4
3	6-6450-12	FITTING / 08 OR x 08 JIC STR	3
4	6-6453-09	FITTING / 08 OR x 08 JIC 90	1
5	6-6450-15	FITTING / 08 OR x 10 JIC STR	1
6	6-7023-62	HOSE / 06 x 06-90 x 31 LG.	4
7	6-7013-194	HOSE / 06 x 08 x 97 LG.	1
8	6-7003-222	HOSE / 06 x 06 x 111 LG.	1
9	6-7003-172	HOSE / 06 x 06 x 86 LG.	2
10	7-234-75	CONTROL BLOCK	REF
11	6-7004-124	HOSE / 08 x 08 x 62 LG.	1
12	6-7004-328	HOSE / 08 x 08 x 164 LG.	1
13	6-7005-304	HOSE / 10 x 10 x 152 LG.	1
14	7-331-01	STEERING ORBITRAL	REF
15	7-217-01	STEERING SELECTOR	REF
16	7-229-339	CYLINDER / STEERING / LHF-RHR	REF
17	7-229-338	CYLINDER / STEERING / RHF-LHR	REF
18	6-6450-12	FITTING / 08 OR x 08 JIC STR	1
19	6-6425-18	FITTING / 12 NPT x 10 JIC STR	1
20	6-7124-34	HOSE / 08 MALE x 08-90 x 17 LG.	1
21	6-6450-09	FITTING / 08 OR x 06 JIC STR	3
22	7-273-27	CLAMP HALF SET / 3/8 HOSE / TWIN	2
23	7-273-23	TOP PLATE / 3/8 HOSE CLAMP	2
24	6-5205-10	CAPSCREW 5/16 NC x 1 1/4 LG.	2

ITEM	NUMBER	DESCRIPTION	REQD
1	7-272-05	FUEL STRAINER	1
2	6-6423-10	FITTING / 08 x 06 BRASS HOSE END	2
3	6-6423-08	FITTING / 04 x 06 BRASS HOSE END	1
4	6-6252-01	HOSE CLAMP / NO.6	4
5	6-6423-07	FITTING / 02 x 06 BRASS HOSE END	1
6	6-6422-01	FITTING / 02 x 02 NPT BRASS ELBOW	1
7	6-6424-05	FITTING / 04 x 04 BRASS TUBE END	1
8	6-9605-640	HOSE-FUEL 3/8 x 80 LG.	1
9	6-9605-544	HOSE-FUEL 3/8 x 68 LG.	1
10	6-6408-06	FITTING / NPT FLUSH PLUG 3/4	1
11	1-1034	TUBE / FUEL LINE	1
12	7-264-01	FILLER CAP / FUEL	REF
13	4-1615	FUEL TANK / BATTERY BOX	REF

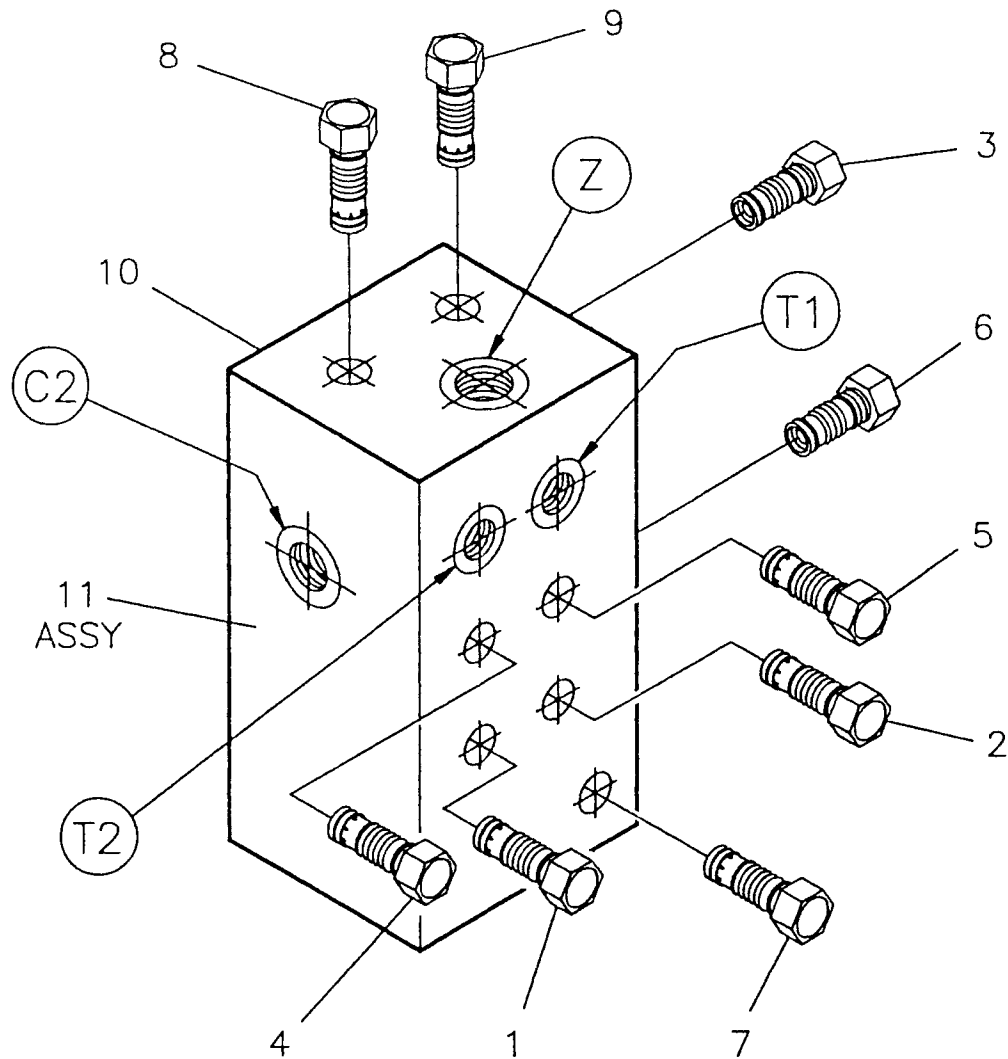
CLICK HERE TO **DOWNLOAD** THE COMPLETE MANUAL

- Thank you very much for reading the preview of the manual.
- You can download the complete manual from: [www.heydownloads.com](http://www.heydownloads.com) by clicking the link below



- Please note: If there is no response to CLICKING the link, please download this PDF first and then click on it.

CLICK HERE TO **DOWNLOAD** THE COMPLETE MANUAL



NUMBERS IN ( ) CORRESPOND TO ITEMS  
USED ON P4-1289 HYDRAULIC SCHEMATIC

ITEM	NUMBER	DESCRIPTION	REQD
1	7-234-10	CARTRIDGE / NORMALLY CLOSED (56)	1
2	7-234-10	CARTRIDGE / NORMALLY CLOSED (57)	1
3	7-234-10	CARTRIDGE / NORMALLY CLOSED (58)	1
4	7-234-11	CARTRIDGE / NORMALLY OPEN (59)	1
5	7-234-11	CARTRIDGE / NORMALLY OPEN (60)	1
6	7-234-11	CARTRIDGE / NORMALLY OPEN (61)	1
7	7-234-12	CARTRIDGE / SHUTTLE (62)	1
8	7-234-18	CARTRIDGE / PILOT CHECK (63)	1
9	7-234-18	CARTRIDGE / PILOT CHECK (64)	1
10	7-234-26	BODY	1
11	7-234-07	LOGIC BLOCK ASSEMBLY	1

DRAWING  
NUMBER

P4-1291

LOGIC BLOCK ASSEMBLY  
SS-636-LT / SS-836-C SQUARE SHOOTER

PAGE  
NUMBER 50

ITEM	NUMBER	DESCRIPTION	REQD
1	7-217-02	BODY	1
2	7-217-03	CAP	1
3	7-217-04	DISC / SUB-ASSEMBLY	1
4	7-217-07	SHAFT	1
5	7-217-08	WASHER / SHAFT	1
6	7-217-27	SHEAR SEAL	4
7	7-217-28	WASHER	4
8	7-217-11	STOP PLATE	1
9	7-217-12	HANDLE SUB-ASSEMBLY	1
10	7-217-16	BEARING / RACE	1
11	7-238-01	BEARING	1
12	7-217-17	BUSHING / DETENT	2
13	7-217-18	SPRING / DETENT	2
14	7-217-19	BALL / DETENT	2
15	6-6236-04	STOP PIN	1
16	6-5605-08	CAPSCREW SH 5/16 NC x 1 LG.	4
17	7-217-20	WASHER / HANDLE	1
18	6-6206-04	STOP NUT	1
19	7-217-21	O-RING / BODY & CAP	1
20	7-217-22	O-RING / SHAFT	1
21	7-217-23	O-RING / SEAL	4
22	7-217-24	BACK-UP RING / SHAFT	1
23	7-217-25	BACK-UP RING / SEAL	8
24	7-217-26	SEAL KIT (ITEMS 6, 7, 19, 20, 21, 22, 23)	REF

ITEM	NUMBER	DESCRIPTION	REQD
1		LEVER	1
2	7-200-17	WIRE	1
3	7-200-18	WIRE CLAMP	2
4	7-200-16	NUT	1
5	7-200-09	SEALING CAP	1
6	7-200-10	LOCK RING	1
7	7-200-07	SWITCH	1
8	7-200-72	SWITCH MOUNTING RING	1
9	7-200-11	SCREW	2
10	7-200-12	SCREW	2
11	7-200-14	HANDLE / 2 PARTS	1
12	7-200-13	NUT	2
13	7-200-05	BELLOWS	1
14	7-200-19	CLAMPING RING	1
15	7-200-15	HANDLE KIT (ITEM 1 and 5 THRU 14)	REF

**DRAWING  
NUMBER**

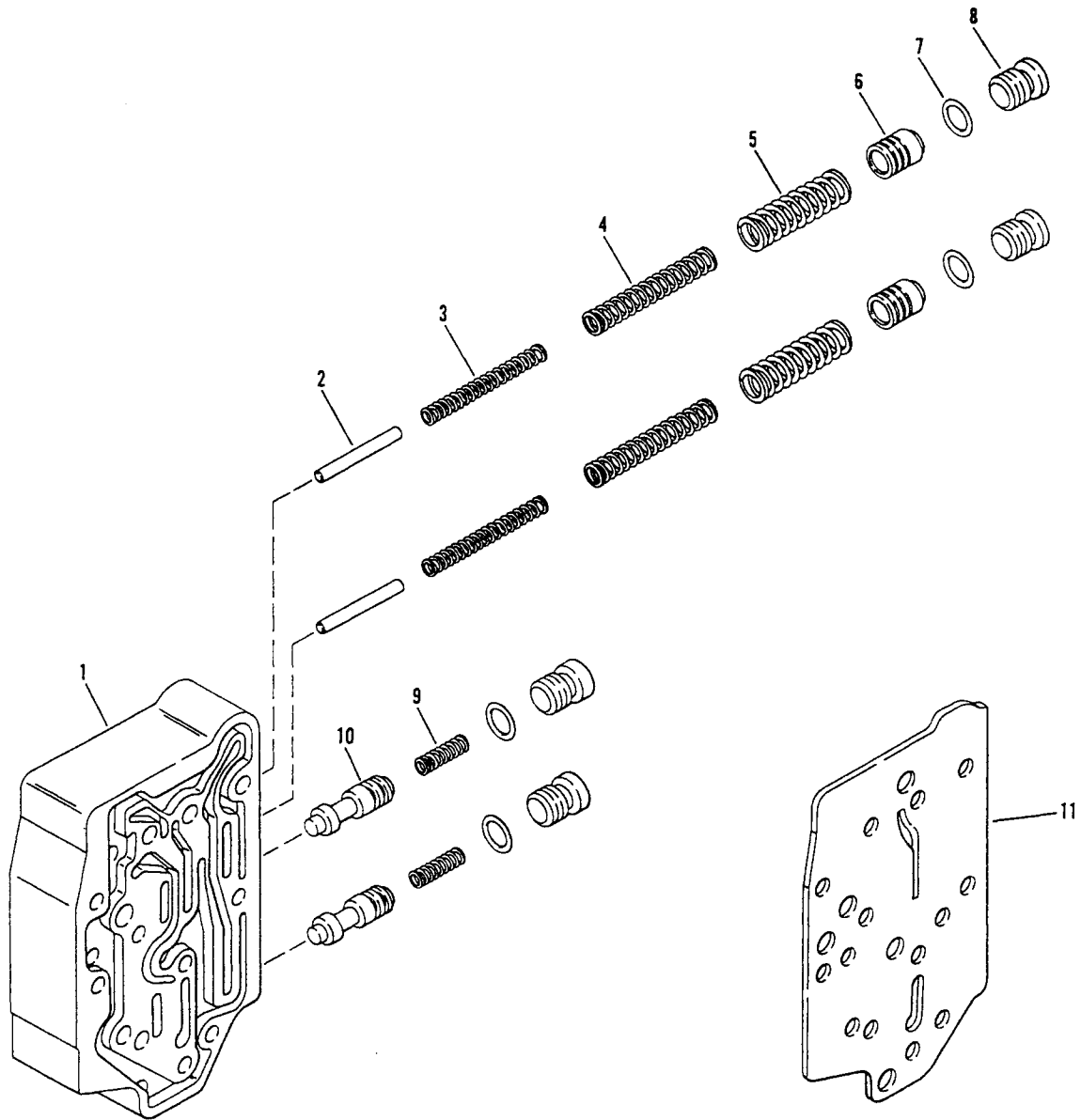
P1-1081

HANDLE ASSEMBLY / 4-WAY CONTROLLER  
SS-624 / SS-636 / SS-836 / SS-1048

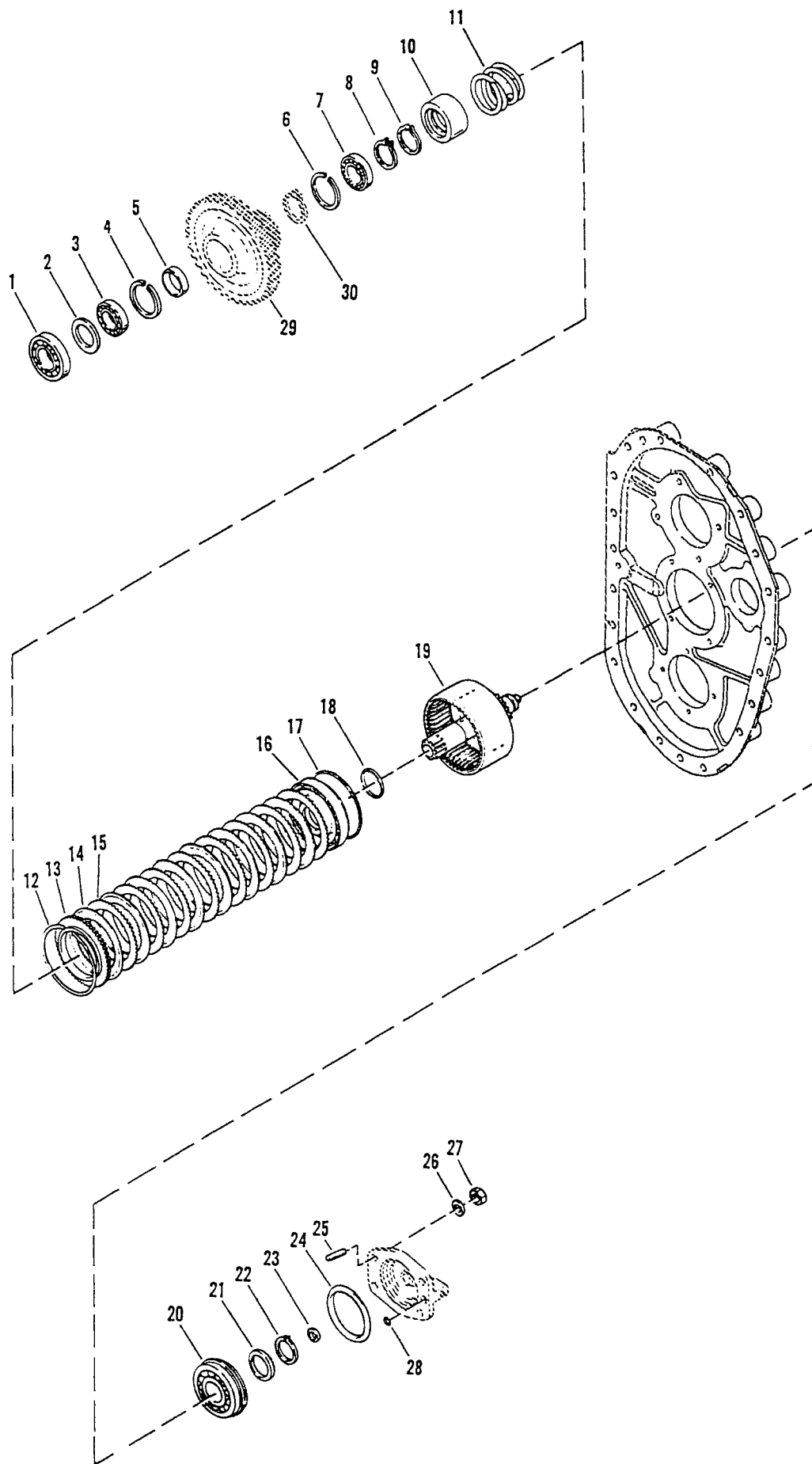
**PAGE  
NUMBER** 63A

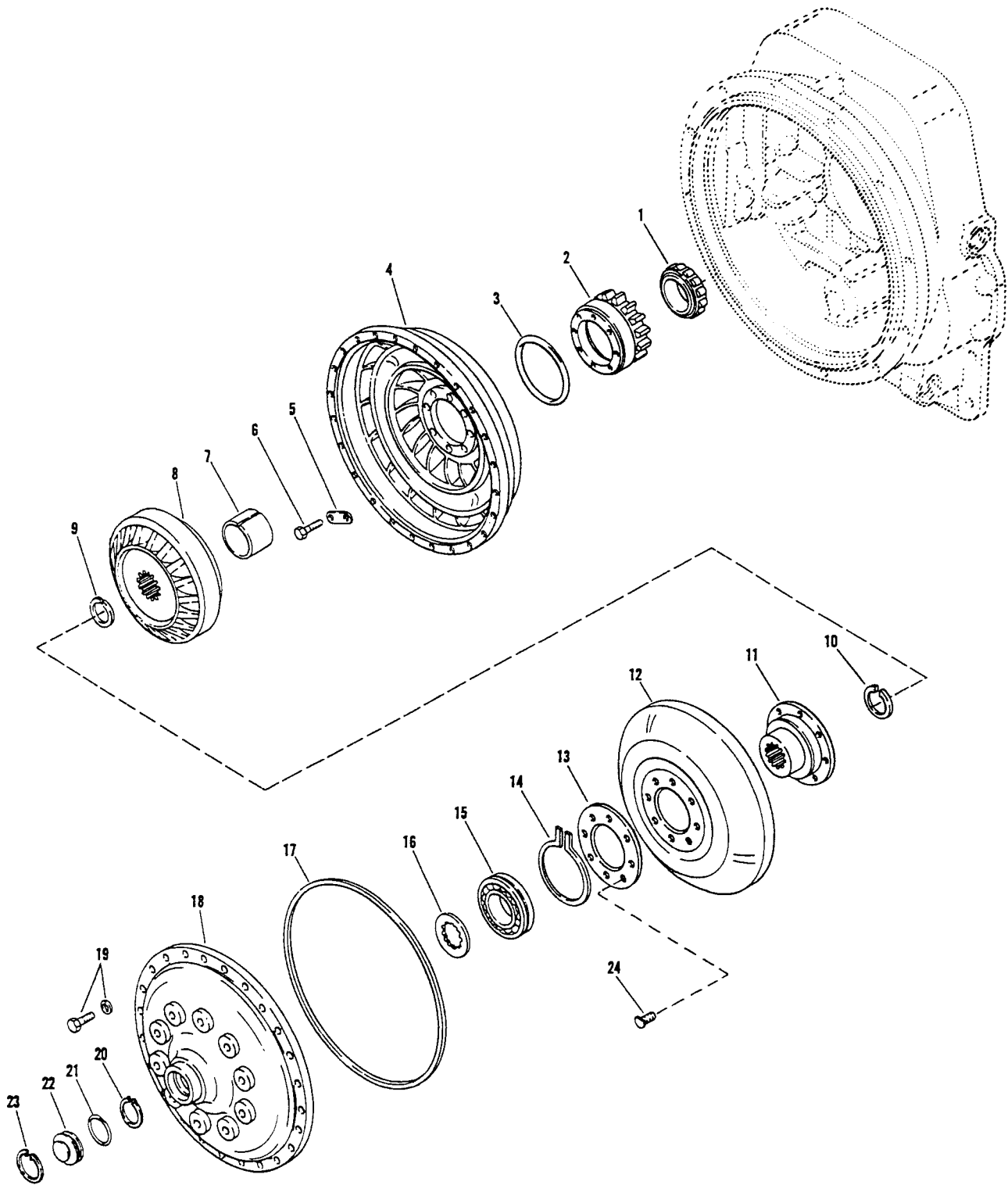
ITEM	NUMBER	DESCRIPTION	REQD
1	4-1562	PANEL / SLIDING WINDOW	1
2	6-4010-01	GLASS / RH REAR / SLIDING	1
3	6-3910-05	GLASS / RH FRONT / SLIDING	1
4	6-9614-240	RUBBER CHANNEL	1
5	6-9614-181	RUBBER CHANNEL	1
6	6-9614-177	RUBBER CHANNEL	1
7	6-9614-147	RUBBER CHANNEL	1
8	6-9614-54	RUBBER CHANNEL	1
9	4-1562-1	CHANNEL WELDMENT / REMOVABLE	REF
10	7-226-03	HANDLE / SLIDING WINDOW	1
11	6-6201-04	HEX NUT 1/4 NC	5
12	6-6211-04	LOCKWASHER 1/4	5
13	6-5204-06	CAPSCREW 1/4 NC x 3/4 LG.	5
14	7-194-47	SELF-TAPPING SCREW 5/16 NC x 3/4	16

ITEM	NUMBER	DESCRIPTION	REQD
1	7-183-89	ENGINE ASSEMBLY / JD-4045T	1
2	P4-1636	DRIVESHAFT ASSEMBLY / PUMP	REF
3	3-1239-1	MOUNT / PUMP	1
4	7-321-73	PUMP ASSEMBLY	REF
5	7-311-07	RADIATOR	1
6	7-158-72	RADIATOR HOSE / UPPER	1
7	7-158-73	RADIATOR HOSE / LOWER	1
8	2-1162	MOUNTING STRAP / RADIATOR	1
9	1-1175	VIBRATION PAD / RADIATOR	2
10	6-6252-07	CLAMP / RADIATOR HOSE	2
11	6-6252-09	CLAMP / RADIATOR HOSE	2
12	2-1167	PLATE / MOUNTING STRAP	1
13	6-8510-20	CAPSCREW 10 mm x 1.5 x 20 mm LG.	2
14	6-5206-10	CAPSCREW 3/8 NC x 1 1/4 LG.	2
15	6-5206-16	CAPSCREW 3/8 NC x 2 LG.	2
16	6-6211-06	LOCKWASHER 3/8	2
17	6-6201-06	HEX NUT 3/8 NC	2
18	7-183-38	FAN	REF
19	6-6205-06	SELF LOCKING NUT 3/8 NC	2
20	6-5208-14	CAPSCREW 1/2 NC x 1 3/4 LG.	4
21	6-8516-55	CAPSCREW 16 mm x 2.0 x 55 mm LG.	4
22	6-5310-22	CAPSCREW 5/8 NF x 2 3/4 LG.	4
23	6-6212-08	FLATWASHER 1/2	4
24	6-6211-08	LOCKWASHER 1/2	4
25	6-6201-08	HEX NUT 1/2 NC	4
26	3-1307	ENGINE MOUNT / LH	1
27	3-1308	ENGINE MOUNT / RH	1
28	7-183-91	FAN GUARD	REF
29	6-6212-05	FLATWASHER 5/16	4
30	6-5205-08	CAPSCREW 5/16 NC x 1 LG.	4
31	6-6211-05	LOCKWASHER 5/16	4
32	2-1164	RUBBER PAD	4
33	2-1163	PLATE	2
34	7-183-96	FAN SPACER / 2 INCH	REF
35	6-8110-80	CAPSCREW 10 mm x 1.5 x 80 mm LG.	REF
36	6-9111-16	LOCKWASHER 16 mm	4
37	6-9111-10	LOCKWASHER 10 mm	2
38	6-6206-10	SELF LOCKING NUT 5/8 NF	4



ITEM	NUMBER	DESCRIPTION	REQD
1	7-126-62	MODULATOR VALVE ASSEMBLY	1
2	7-126-63	PIN / ACCUMULATOR	2
3	7-126-64	SPRING / ACCUMULATOR / INNER	2
4	7-126-65	SPRING / ACCUMULATOR / OUTER	2
5	7-126-66	SPRING / ACCUMULATOR / OUTER	2
6		ACCUMULATOR VALVE / With Item (1)	
7	7-126-67	O-RING	4
8	7-126-68	STOP PLUG	4
9	7-126-69	SPRING	2
10		REGULATOR SPOOL / With Item (1)	
11	7-126-70	GASKET	1





CLICK HERE TO **DOWNLOAD** THE COMPLETE MANUAL

- Thank you very much for reading the preview of the manual.
- You can download the complete manual from: [www.heydownloads.com](http://www.heydownloads.com) by clicking the link below



- Please note: If there is no response to CLICKING the link, please download this PDF first and then click on it.

CLICK HERE TO **DOWNLOAD** THE COMPLETE MANUAL