

GEHL

Form No.

913364

Revision C
November
2014

RT250

Compact Track Loader



Parts Manual

CLICK HERE TO **DOWNLOAD** THE COMPLETE MANUAL

- Thank you very much for reading the preview of the manual.
- You can download the complete manual from: www.heydownloads.com by clicking the link below



- Please note: If there is no response to CLICKING the link, please download this PDF first and then click on it.

CLICK HERE TO **DOWNLOAD** THE COMPLETE MANUAL

RT250 - CAB
CAB DOOR - SWING-OUT - (OPTION)
(Series III) *

Item No.	Part No.	Description	Qty.
01		SWING-OUT DOOR ASSEMBLY *	1
	50303856	(Standard) (shown) (Includes items 2 - 21)	
	50303894	(High-impact/Option) (not shown) ** (Includes items 2, 4 - 21)	
02		GLASS, DOOR * (see Figure B)	1
	50303858	Standard (shown)	
	50303895	Polycarbonate - High Impact (option) **	
03	50303859	SEAL, GLASS WINDOW ***	1
04		DOOR FRAME WELDMENT *	1
	50303860	(Standard) (shown)	
	50303896	(High-impact/Option) **	
05	50303857	SEAL, DOOR (0.48 x 149.5 IN.)	1
06	L500099	BULKHEAD, WASHER HOSE	1
07	650426	CS 1/4x1-1/4 C5ZY	1
08	50300014	MOUNT, WIPER ARM	1
09	654002	FW 1/4 AWZY	1
10	070634	LN LG FL SERR 1/4 CZ	1
11	273406	WIPER MOTOR, 65°	1
12	273408	COVER, WIPER MOTOR	1
13	273407	WIPER ARM, 22" PANTOGRAPH	1
14	274424	WIPER BLADE, 26"	1
15	L69488	BALL STUD	1
16	071701	LN 5/16 CBZY	1
17	273340	HANDLE, PUSH BUTTON ****	1
	50280186	KEY, 8001 (14603) (not shown)	1
18	50303453	LATCH ****	1
19	50303454	COVER ****	1
20	420-36187	STRIKER ****	1
21	50303416	STRIKER MOUNT ****	1
22	50303855	PLATE, DOOR FRAME *	1
23	50303854	PLATE, DOOR FRAME (weldment) *	1
24	50303906	BEARING, BRONZE FLANGED *	2
25	651308	PHMS SLT 1/4X3/4 IN ZB	28
26	50303201	GAS CYLINDER, DOOR	1
27	L69488	BALL STUD	1
28	071701	LN 5/16 CBZY	1
29	50303869	DOOR FRAME BRACE	1

Item No.	Part No.	Description	Qty.
30	104121	TUBING CONNECTOR 5/32"	1
31	275640	HOSE, FRONT WIPER .156X108"	1
32	068256	CLAMP, HOSE 0.25 x 0.42 IN.	4
33	071701	LN 5/16 CBZY	4
34	276026	SWITCH, PROXIMITY	1
35	651328	HLN INST #5-40 CZY	4
36	651212	PHMS CR #540x1/2"	4
37	193157	MAGNET, SWITCH ACTUATOR	1
38	651529	FW #4 BRZY	2
39	651214	LW #5 RZY	2
40	50301002	HARNES, DOOR SWITCH JUMP (Used when door is removed-option)	1
41	50300248	SEAL, FOAM TAPE 0.375" x 195.0" (Used to seal the door frame—items #22 and 23—to the cab.)	1

* Before ordering, refer to the "IMPORTANT" message below.

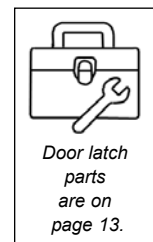
** The optional high-impact window and frame does not use item #3; the polycarbonate window fastens to the high-impact door frame with (14) 650426 1/4"x1-1/4" bolts, (14) 654002 1/4" flat washers, and (14) 070634 1/4" flange lock nuts (fastening hardware not shown).

NOTE: the high-impact glass will not fit with the standard glass door frame.

NOTE: If converting from the standard glass to the high-impact glass, it will be necessary to also order the high-impact door frame weldment and all the related fastening hardware listed above. If interested in ordering a cab door kit, please consult the factory parts department.

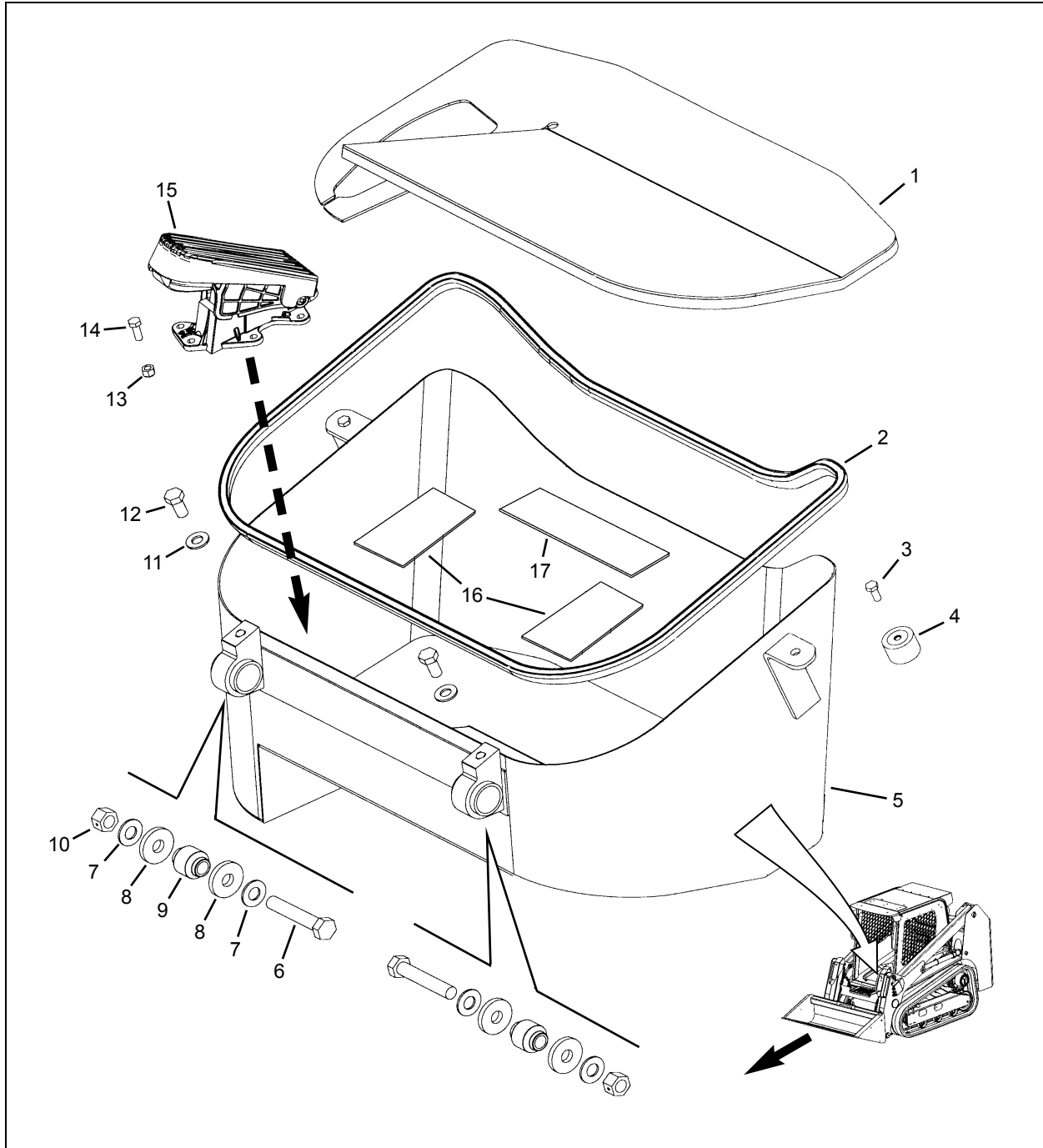
*** Used only with standard glass; not used with high-impact window option.

**** Fastening hardware and additional components are shown on page 13.



IMPORTANT: Before ordering the complete swing-out door assembly (item #1), the window (item #2), the door frame (item #4) or other parts marked with a single asterisks (*) be sure to refer to the illustrations on page 12 to verify which Series and type of door is installed on the machine.

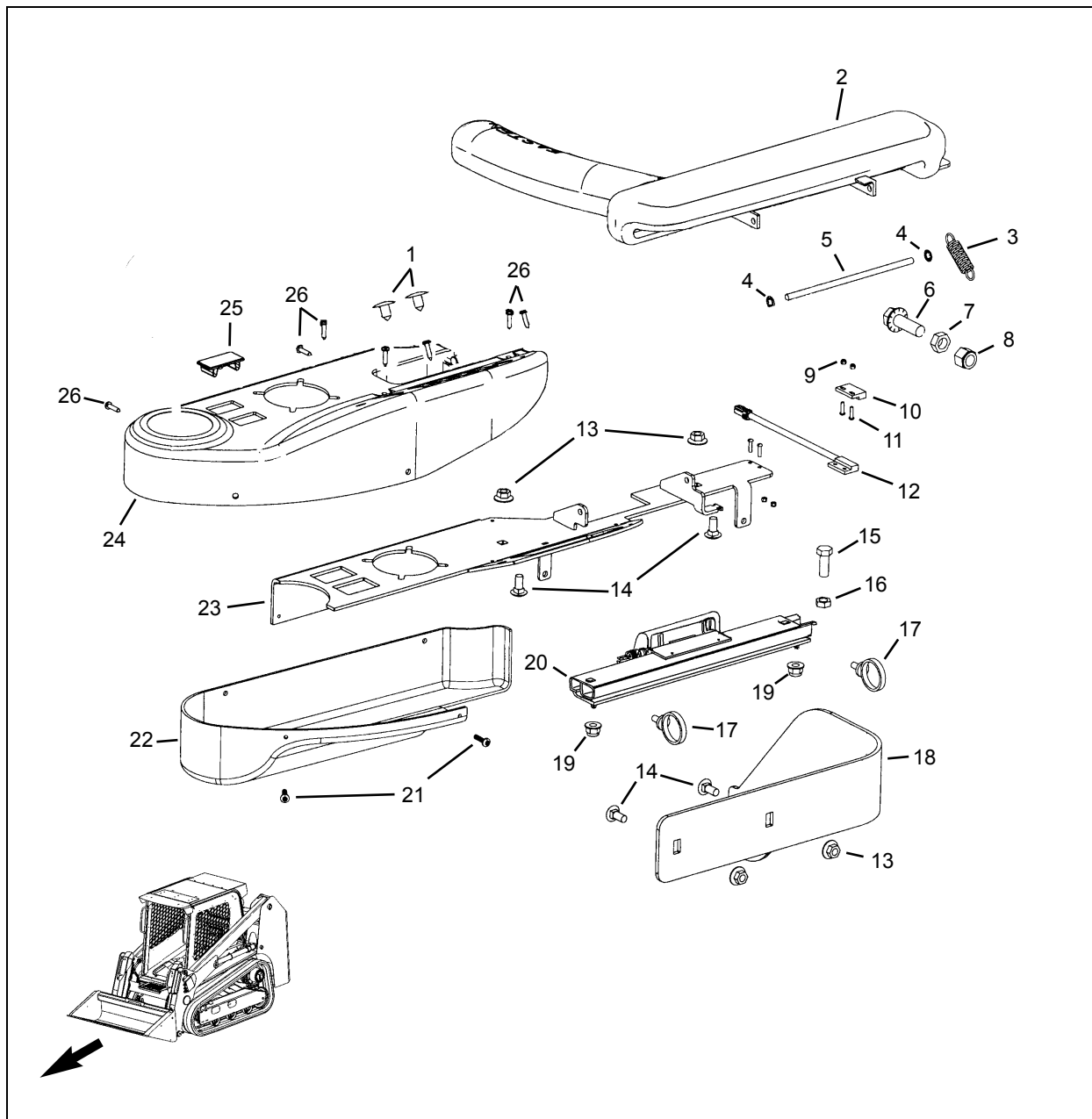
RT250 - CAB FOOT POD / ACCELERATOR PEDAL



Item No.	Part No.	Description	Qty.	Item No.	Part No.	Description	Qty.
01	275386	FLOOR MAT *	1	11	651148	FW 1/2" ANZY	2
02	275328	BULBSEAL	1	12	650494	CS 1/2" x 1" C5ZY	2
03	650486	CS 5/16 x 3/4 C5ZY	2	13	064260	HLN INST 5/16 CZY	6
04	275016	ISOLATOR, 1" x 1.5"	2	14	650809	CS 5/16 x 7/8 C5ZY	5
05	50300047	POD, FOOT	1	15	271425	THROTTLE, FOOT	1
06	650695	CS 5/8" x 3-1/2" C5ZY	2	16	50300465	NON-SLIP TAPE 4x9 IN.	2
07	651150	FW 5/8" ANZY	4	17	50300467	NON-SLIP TAPE 4x18 IN.	1
08	271637	FW 41/64 PLASTIC	4				
09	271632	ISOLATOR	2				
10	071709	LN CTR 5/8 CBZY	2				

* Up to three floor mats can be stacked to adjust the floor height for the operator.

RT250 - CAB
CONSOLE - LEFT SIDE
(Early Style - See Note on Facing Page)



Item No.	Part No.	Description	Qty.
01	271678	PLUG	AR
02	273545	ARM REST (left) *	1
03	275982	SPRING, 0.50 x 2.00 EXT.	1
04	272543	KEEPER, 0.5" SHAFT	2
05	272542	BAR, ARM REST	1
06	081378	CS FL LOCK 1/2" x 1-1/2" C5ZY	2
07	653044	HJN 1/2 C2ZY	2
08	068034	HLN INST 1/2" CZY	2
09	651328	HLN INST #5-40 CZY	4
10	193157	MAGNET, SWITCH ACTUATOR	1
11	651212	RMS SLT #5-40 x 1/2 " CZY	4
12	276026	SWITCH, PROXIMITY	1
13	070648	LN LG FL SERR 5/16" CZ	4
14	650687	CB 5/16" x 3/4" C5ZY	4
15	650490	CS 3/8" x 1" C5ZY	1

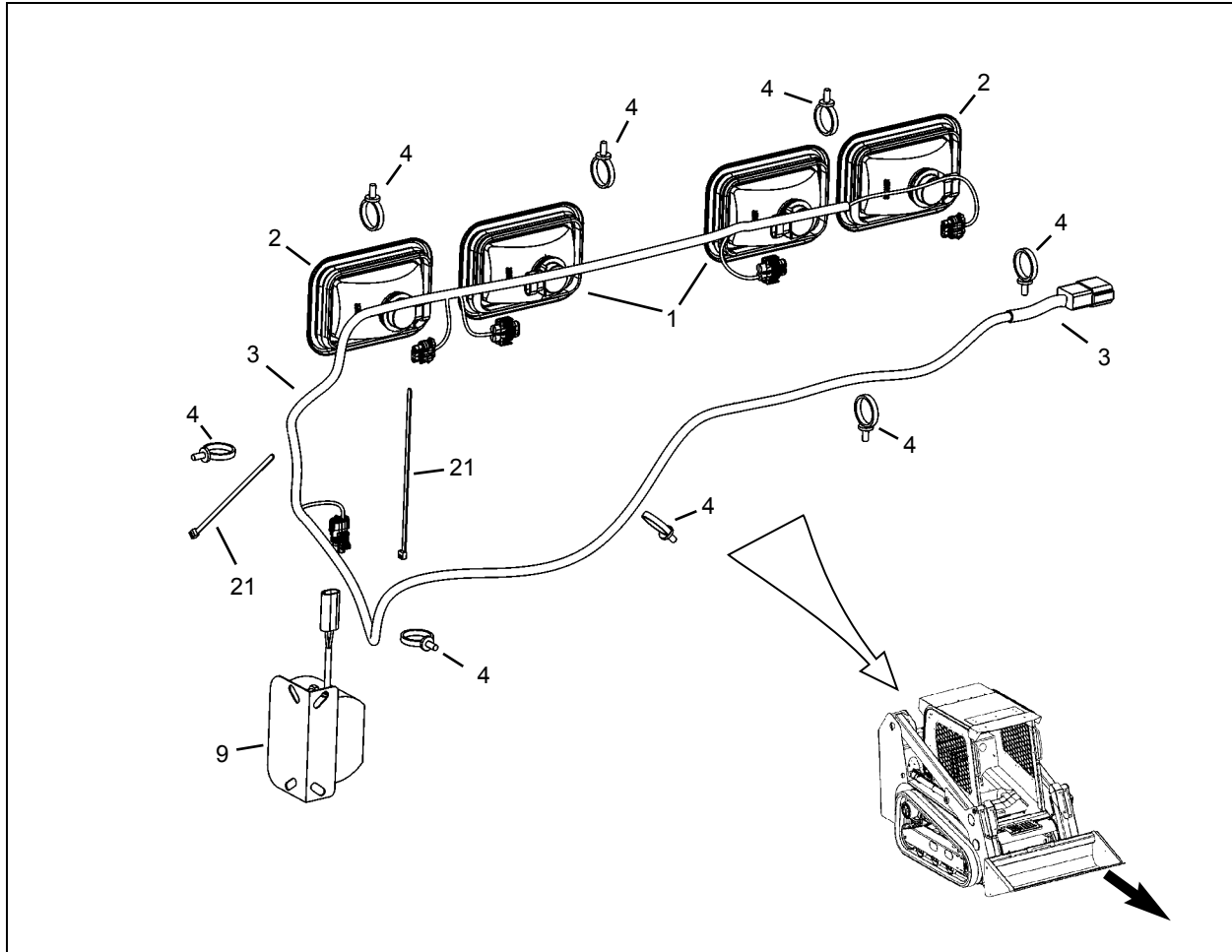
Item No.	Part No.	Description	Qty.
16	653038	HJN 3/8" C2ZY	1
17	263369	CABLE TIE	2
18	275480	BRACKET	1
19	070648	LN LG FL SERR 5/16" CZ	2
20	271858	SLIDE, ARM REST	1
21	273071	SCREW, TPH TF CR #10-14 x 3/4" AR	AR
22	275979	COVER	1
23	275003	WELDMNT, LH JOYSTICK MOUNT	1
24	273037	COVER, JOYSTICK	1
25	242636	PANEL PLUG	AR
26	651783	SCREW/TPH TF CR#8-32x3/4 CZY	5

* Refer to page 27; item #25 for increased operator room.

RT250 - CAB
AIR CONDITIONING CIRCUIT — (OPTION)

Item				Item			
No.	Part No.	Description	Qty.	No.	Part No.	Description	Qty.
01	271868	EVAPORATOR	1	17	138777	O-RING, AC #6 FITTING	AR
02	L500595	CONDENSER	1	18	138778	O-RING, AC #8 FITTING	AR
03	241310	COMPRESSOR, A/C	1	19	138779	O-RING, AC #10 FITTING	AR
04	50302102	HOSE, A/C #10 x 62"	1	20	50300901	SEAL, CAB	1
05	50302103	HOSE, A/C #8 x 60"	1	21	071700	LN 1/4" CBZY	3
06	071703	LN CTR 3/8 CBZY	2	22	650863	FW 1/4" ANZY	4
07	138651	CLAMP, RECEIVER DRIER	1	23	079098	PLATE, TOP SIZE 2 - TWIN	1
08	138649	RECEIVER DRIER, A/C	1	24	650706	CS 1/4" x 2" C5ZY	1
09	50301474	HOSE, A/C #6 x 49"	1	25	L570005	CLAMP, HOSE 0.88 x 0.41	2
10	138714	SWITCH, BINARY A/C	1	26	650490	CS 3/8" x 1" C5ZY	1
11	272053	HOSE, A/C #6	1	27	50301877	BRACKET, DIPSTICK	1
12	275226	TUBE, A/C #6	1	28	210-19533	HN FL CLOC 3/8 CZY	1
13	071701	LN 5/16 CBZY	2	29	L45666	CLAMP, HOSE 1.0 x 0.41	1
14	275228	BRACKET, CLAMP MOUNT	1	30	650488	CS 3/8 " x 3/4" C5ZY	1
15	243033	CLAMP, TUBE 0.62"/0.50" TWIN	2	31	650687	CB 5/16" x 3.4" C5ZY	2
16	275225	TUBE, A/C #10	1	32	50301792	BRACKET, CLAMP	1

RT250 - CHASSIS REAR DOOR



Item No.	Part No.	Description	Qty.
01	271718	LIGHTS, WORK (clear lens)	2
	122488	BULB, 12V-38WATT (GE862) (Work light includes bezel and bulb)	AR
02	271541	LIGHTS, TAIL (red lens)	2
	NSS	BULB, 12V-27WATT (GE3157) (Tail light includes bezel and bulb)	AR
03	50301240	WIRE HARNESS, REAR DOOR	1
04	273369	TIE / TREE MOUNT	8
05	50300983	DOOR WELDMENT, REAR	1
06	104416	STRIKER	1
07	650484	CS 5/16" x 1/2" C5ZY	2
08	654004	FW 5/16"	2
09	135727	BACK-UP ALARM	1
10	272750	HANDLE, REAR DOOR	1
11	272972	CLIP	1
13	137959	CB 1/4" x 1-1/4" CBC	4
14	272822	STRIKER	1
15	271024	LATCH, REAR DOOR	1
16	654002	FW 1/4" AWZY	4
17	071700	LN 1/4" CBZY	4
18	50301468	BULBSEAL, 1/4" x 25.5"	2

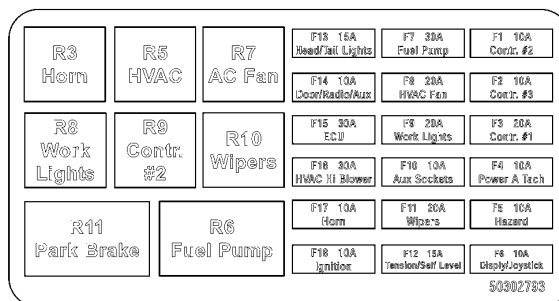
Item No.	Part No.	Description	Qty.
19	50301461	GRILLE, REAR DOOR	1
20	210-19533	HN FL CLOC 3/8"	4
21	055648	TIE / CABLE 0.19" x 7.5" BLACK	2
22	076589	CS FL LOCK 3/8" x 1" C5ZY	4
23	273217	ROD, DOOR STOP	1
	273228	3/8" RETAINING RING (not shown)	1
24	071706	LN 1/2" CBZY	2
25	654009	FW 1/2" C5ZY	4
26	274717	FW 1-1/8" PLASTIC	2
27	650585	HN 1/2" C2ZY	2
28	650834	CB 1/2" x 1-1/2" CBC	2
29	275174	SHIM, 0.1345"	AR
	275175	SHIM, 0.1046"	AR
	275176	SHIM, 0.0598"	AR
	275177	SHIM, 0.0359"	AR
30	081374	HN FL SLOC 1/2" CZY	2
31	275135	BRACKET, REAR DOOR (hinge)	1
32	50302464	BULBSEAL, 1/4" x 28.0"	2
33	50303838	SLEEVE, PLASTIC (protects handle)	1

RT250 - ELECTRICAL MAIN FUSE BOX / FUSES / RELAYS

Item No.	Part No.	Description	Fuse Relay	Function	
01	184631	MINI FUSE (10 AMP)	F1	CONTROLLER 2 (MAESTRO 2)	
02	184631	MINI FUSE (10 AMP)	F2	CONTROLLER 3 (MARLIN I/O)	
03	104769	MINI FUSE (20 AMP)	F3	CONTROLLER 1 (MAESTRO 1)	
04	184631	MINI FUSE (10 AMP)	F4	PARK BRAKE RELAY; POWER-A-TACH™	
05	184631	MINI FUSE (10 AMP)	F5	FLASHER CONTROLLER; HAZARD SWITCH	
06	184631	MINI FUSE (10 AMP)	F6	DISPLAY; DOOR SWITCH; SEAT; JOYSTICKS	
07	184627	MINI FUSE (30 AMP)	F7	FUEL PUMP	
08	104769	MINI FUSE (20 AMP)	F8	CONDENSER FAN	
09	104769	MINI FUSE (20 AMP)	F9	WORK LIGHTS	
10	184631	MINI FUSE (10 AMP)	F10	AUXILIARY POWER OUTLETS	
11	104769	MINI FUSE (20 AMP)	F11	WIPERS	
12	103099	MINI FUSE (15 AMP)	F12	TRACK TENSION; SELF-LEVEL	
13	103099	MINI FUSE (15 AMP)	F13	HEAD LIGHTS; TAIL LIGHTS	
14	184631	MINI FUSE (10 AMP)	F14	REAR DOOR; RADIO; AUXILIARY	
15	184627	MINI FUSE (30 AMP)	F15	ECU	
16	184627	MINI FUSE (30 AMP)	F16	HVAC BLOWER (HIGH SPEED)	
17	184631	MINI FUSE (10 AMP)	F17	HORN	
18	184631	MINI FUSE (10 AMP)	F18	IGNITION	
19	50220311	RELAY, ISO 280 20A/15A	R3	HORN	
20	50220311	RELAY, ISO 280 20A/15A	R5	HVAC BLOWER	
21	50220311	RELAY, ISO 280 20A/15A	R7	AC CONDENSER FAN	
22	50220311	RELAY, ISO 280 20A/15A	R8	WORK LIGHTS	
23	50220311	RELAY, ISO 280 20A/15A	R9	CONTROLLER 2	
24	50220311	RELAY, ISO 280 20A/15A	R10	WIPERS	
25	50288226	RELAY, ISO 280 HIGH CUR.	R11	PARK BRAKE	
26	50288226	RELAY, ISO 280 HIGH CUR.	R6	FUEL PUMP	
27	242146	RELAY, ISO SPST	R1	MAIN POWER	
28	242381	MAXI FUSE (80 AMP)	MAXI 1	MAIN POWER	
29	275380	RELAY, DPDT (30 AMP)	R13	POWER-A-TACH™ (located on engine-side of firewall)	
30	L70247	ATO/ATC FUSE (30 AMP)	--	POWER-A-TACH™ IN-LINE / TROMBETTA RELAY (located in Power-A-TACH™ Wire Harness 275687)	
31	50220071	MINI FUSE (3 AMP)	--	RADIO / IN-LINE (located in ROPS Wire Harness 275207)	
32	50302793	DECAL, FUSE BLOCK			1
33	50288219	COVER, FUSE BOX (included with fuse box/chassis wire harness)			1

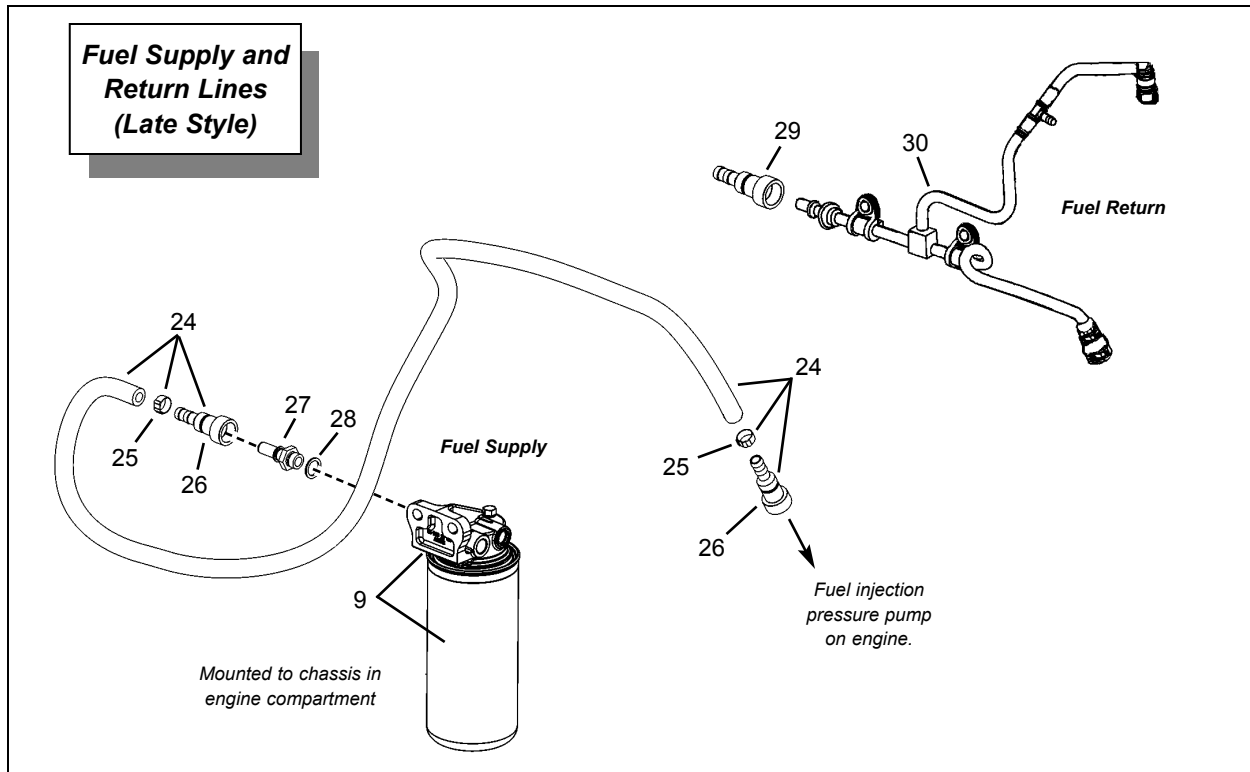


NOTE: The "FUSE/RELAY" column above identifies the fuse/relay on the electrical schematic—located in the Operator's Manual for this machine.



32

RT250 - ENGINE FUEL CIRCUIT



Item No.	Part No.	Description	Qty.
01	087852	CLAMP, HOSE #06	AR
03	50301595	HOSE, FUEL 3/8" x 70" (return)	1
04	076589	CS FL LOCK 3/8" x 1" C5ZY	3
05	055021	CLAMP, VINYL 0.75 x 0.41 DBL	2
06	210-19533	HN FL CLOC 3/8" CZY	5
07	650490	CS 3/8" x 1" C5ZY	2
08	136226	CLAMP, VINYL 0.75 x 0.41 SNGL	1
09	50302437	FUEL FILTER ASY., SECONDARY	1
	50302441	FILTER (only)	1
10 ^b	50300327	90 MJ08-MMA16	3
11 ^b	50300462	ST HB08-FJS08 (brass)	3
12 ^b	50301594	HOSE, FUEL 1/2" x 61"	1
13 ^b	50303012	90 MJ06-MMA16	1
14	50300449	ST HB06-FJS06 (brass)	1
15	50301593	HOSE, FUEL 3/8" x 78"	1
16	651195	SHCS HS #10-24 x 1/2" C	4
	650584	FW #10 AZY (not shown)	4
17 ^a	50288223	FUEL PUMP, ELEC. 12 VDC (engine fuel supply only)	1
18	NSS	FITTING (included w/fuel pump #17)	1
19 ^d	See note 50288227	WATER SEPARATOR ASSEMBLY VENT/PLUG (not shown)	1
20	50301589	HOSE, FUEL 1/2" x 85" (supply)	1
21	50301590	HOSE, FUEL 1/2" x 14"	1
22	50220612	SENSOR, WATER	1
	50220613	SEALING RING (between water sensor and water separator/filter)	1
23	50220553	SENSOR, PRESSURE	1
	50220554	O-RING SEAL (between pressure sensor and filter head)	1

Item No.	Part No.	Description	Qty.
24 ^c	50303802	FUEL HOSE ASY. QUICK-CONNECT (includes items 25 and 26)	1
25 ^c	50303801	CLAMP, SPRING	2
26 ^c	50303794	FITTING, ST 1/2" QD FEMALE FUEL	2
27 ^c	50303791	FITTING, ST QD FUEL	1
28 ^c	50303793	WASHER, SEALING	1
29 ^c	50303813	FITTING, ST 3/8" QD FEMALE FUEL	1
30 ^c	TBD	FUEL RETURN LINE	1

a **IMPORTANT:** The fuel supply pump (50288223) looks similar to the fuel transfer pump (50302436)—used on the fuel tank; however, the internal components of the pumps are different. Be sure to order the correct part for the correct application. The fuel transfer pump is shown on the next page; item 10.

b Used with engine SN 11538280 and before.
c Used with engine SN 11538281 and up.

d **NOTE:** Before ordering a replacement fuel/water separator assembly, or a fuel/water separator filter cartridge, verify which fuel/water separator assembly is installed on the machine and compare it with the illustration found in the Fuel/Water Separator Assembly Reference box shown on page 5. The fuel/water separator assembly is located next to the radiator on the left side of the chassis.

! **IMPORTANT:** The engine serial number is located on the serial number plate on top of the engine valve cover.

CLICK HERE TO **DOWNLOAD** THE COMPLETE MANUAL

- Thank you very much for reading the preview of the manual.
- You can download the complete manual from: www.heydownloads.com by clicking the link below



- Please note: If there is no response to CLICKING the link, please download this PDF first and then click on it.

CLICK HERE TO **DOWNLOAD** THE COMPLETE MANUAL

RT250 - ENGINE / HYDRAULICS
RADIATOR / HYDRAULIC COOLER
(Late Style - SN 070130 and up)

Item No.	Part No.	Description	Qty.
01	50300969	COOLER <i>(radiator / hydraulic cooler)</i> <i>(includes item 2)</i>	1
02	50280174	RADIATOR CAP, 13 LBS.	1
03	50302457	SENSOR, COOLANT LEVEL	1
04		HYDRAULIC ADAPTER	1
	055005	90 MJ12-MAORB12 *	
	074280	90 MJ16-MAORB12 **	
05	055030	CLAMP, HOSE #28	4
06	50300947	HOSE, UPPER RADIATOR	1
07	140883	90-LL MJ12-MAORB12	1
08	135025	HOSE, MP 12 x 36.0"	1
09	L570017	CLAMP, HOSE 1.19" x 0.41"	1
10	210-19533	HN FL CLOC 3/8" CZY	1
11	50301444	HOSE, MP 12 x 68"	1
12		HOSE, HYDRAULIC RETURN	1
	50301489	HOSE, MP12 x 55.0 IN.*	
	50303157	HOSE, MP16 x 54.0 IN.**	
13		CLAMP, HOSE	2
	L45666	CLAMP, HOSE 1.0 x 0.41 *	
	075196	CLAMP, HOSE 1.50 x 0.41**	
14	076589	CS FL LOCK 3/8x1 C5ZY	2
15	50302523	FAN SHROUD	1
16	50300970	FAN GUARD	1
17	310-32616	CS FL LOCK 3/8" x 1/2" C2ZY	4
18	L75990	CLAMP, HOSE #16	2
19	50303237	HOSE, COOLANT FILL	1

Item No.	Part No.	Description	Qty.
20	062023	CLAMP, HOSE #5	3
21	50303074	HOSE -5 x 20"	1
22	133074	ST HB05-MP04 <i>(brass)</i>	1
23	650535	CS 3.8" x 2-1/4" C5ZY	2
24	654006	FW 3/8" AWZY	2
25	270298	ISOLATOR, RUBBER	2
26	270301	WASHER, REBOUND	2
27	071703	LN 3/8" CBZY	2
28	081380	CS FL LOCK 5/16" x 3/4" C5ZY	6
29	50302521	HOSE, LOWER RADIATOR	1
30		HYDRAULIC ADAPTER	1
	055064	45 MJ12-MAORB12 *	1
	274605	45 MJ16-MAORB12 **	1
31	270238	MOUNT, RADIATOR	2
32	650810	FW 5/16" ANZY	6
33	071701	LN 5/16" CBZY	4
34	650545	CS 5/16" x 1-1/4" C5ZY	2
35	210-31017	HN LF CLOC 5/16" CZY	6
36	L41859	CLAMP, HOSE 0.56 x 0.41	2
37	275268	HOSE 5/16" x 24"	1
38	076588	CS FL LOCK 3/8" x 3/4" C5ZY	1
39	210-19533	HN FL CLOC 3/8 CZY	1
40	131449	T BR MJ120MJ12-MAORB12	1
41	121684	90 MJ-MAORB16	1

* Used only with standard auxiliary hydraulics

** Used only with the High-Flow hydraulics option



IMPORTANT: Early machines used different hoses and fittings. The early-style radiator/cooler is shown on the next page. Be sure to verify the correct parts before ordering.

RT250 - TRACKS

TRACK DRIVE MOTOR COMPONENTS

Item No.	Part No.	Description	Qty.
01		MOTOR, DRIVE 1273cc W/FLANGE <i>(Refer to previous page for part number of complete motor)</i>	1
02	50280126	COVER ASSEMBLY	1
03	50286441	REDUCTION ASSEMBLY	1
04	50280128	KIT, SEAL NUT	1
05	50280129	BASE PLATE ASSEMBLY	1
06	50280130	SPOOL KIT, TWO SPEED	1
07	50280131	KIT, FLUSHING	1
08	50280132	CYLINDER BLOCK ASSEMBLY	1
09	50280134	SWASH PLATE KIT (1098 cc)	1
10	50280135	MOTOR SHAFT ASSEMBLY	1
11	50280136	KIT, BEARINGS	1

Item No.	Part No.	Description	Qty.
12	50280137	KIT, PARK BRAKE	1
13	50280138	KIT, REPAIR <i>(seals as shown)</i>	1
14	50280139	QUAD RING	1
15	50280151	PLUG	2
16	NSS	PIN <i>(included with #5, 12 and 13)</i>	AR
17	50280125	SHCS M12X1.75-12.9 L.35	7
18	NSS	PLUG <i>(included with item #7)</i>	AR



NOTE: Quantities shown are for one track drive motor assembly. When ordering parts, be aware that the machine uses two track drive motor assemblies, one on each side.



NOTE: At the time of publication of this manual, the OEM supplier for the track drive motor was updating the track drive components; an orifice is being added to the track drive motors PN 50305572, 50305573, and 50305574. Before ordering parts for any of these track drive motors, refer to the previous page in this manual to determine which track drive motor is installed on the machine. If the track drive motor on the machine is 50305572, 50305573, or 50305574, contact the factory parts department for more information.

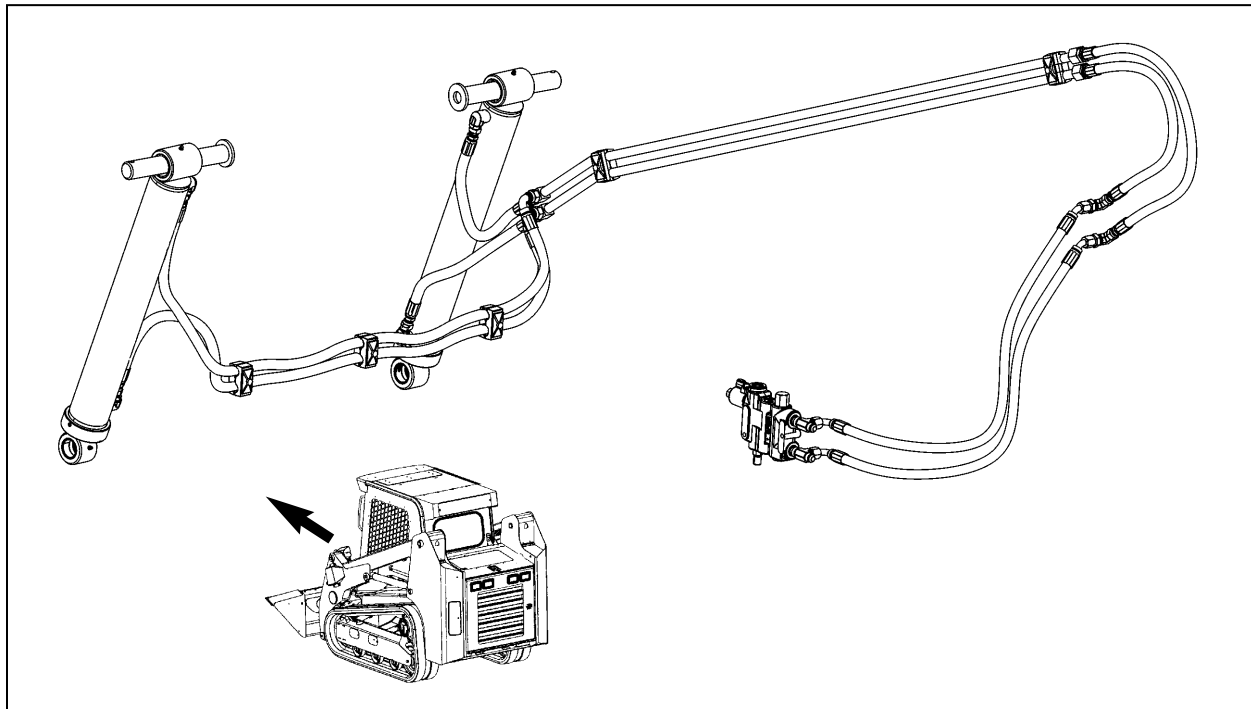
RT250 - LOADER ARM TILT CIRCUIT HYDRAULICS

Item No.	Part No.	Description	Qty.
01	273459	TUBE, TILT - OUTER	2
02	50301887	HOSE, MP 8 x 33.0 IN.	1
03	50301372	HOSE, MP 8 x 28.0 IN.	1
04	079097	CLAMP, TUBE 0.75 (twin)	4
05	L69833	PLATE, TOP SIZE 2 (twin)	7
06	650692	CS 5/16 x 1-3/4" C5ZY	7
07	50300742	PIN, TILT CYLINDER (base end)	2
08	650629	CS 3/8 x 3-1/4 C8ZY	2
09	067847	HLN INST 3/8 CZY	2
10	50300621	CYLINDER, TILT	2
11	054626	ST MJ08-MORB08	4
12	273863	HOSE, MP 8 x 67.5 IN.	1
13	273863	HOSE, MP8 X 67.5 IN.	1
14	271282	CLAMP, HOSE 19mm (twin)	3
15	273689	HOSE, MP 8 x 19 IN.	1
16	273689	HOSE, MP 8 x 19 IN.	1

Item No.	Part No.	Description	Qty.
17	230-21555	90 BULKHD MJ08-MJ08	2
18	50301634	HOSE, MP 8 x 41.0 IN.	1
19	50301634	HOSE, MP 8 x 41.0 IN.	1
20	121387	TEE RUN MJ08-MAORB10-MJ08	2
21		VALVE, SELF-LEVEL	1
	135367	(standard) - (not shown)	
	271958	(switchable) - (shown) (Optional)	

HOSE CONNECTION:

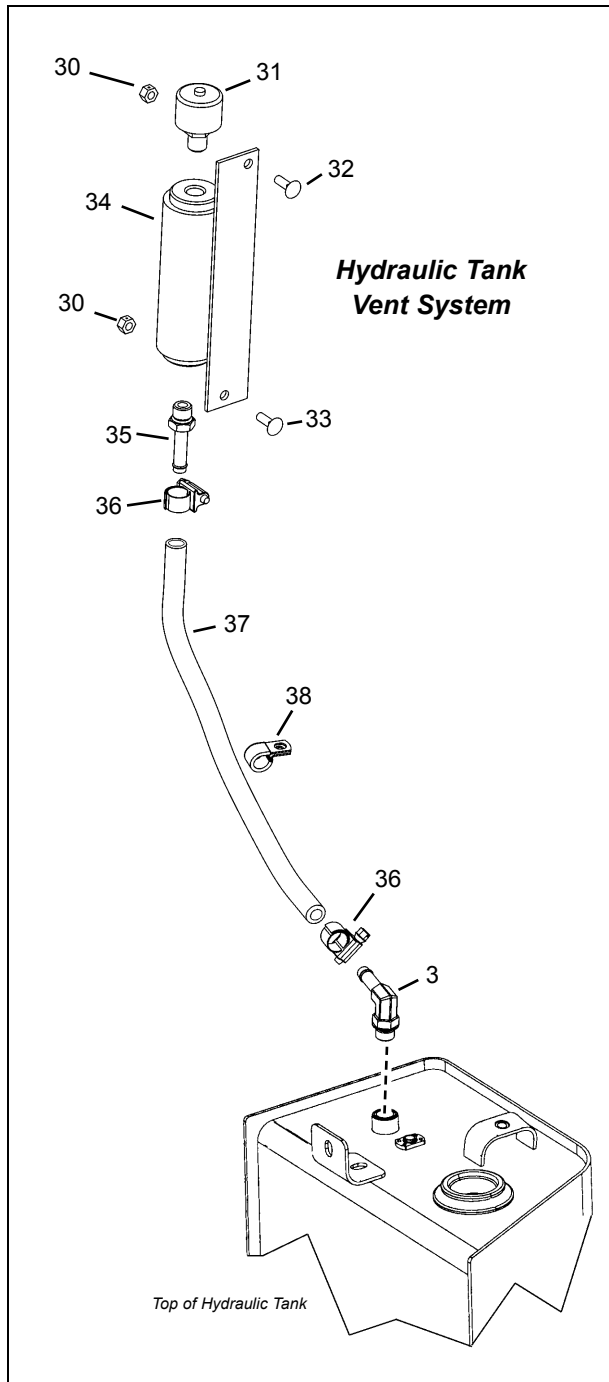
- #02 connects to bulkhead and then to self-level valve (D)
- #03 connects to bulkhead and then to self-level valve (C)
- #12 (see illustration on facing page)
- #13 (see illustration on facing page)
- #15 (see illustration on facing page)
- #16 (see illustration on facing page)
- #18 connects to bulkhead and then to self-level valve (C)
- #19 connects to bulkhead and then to self-level valve (D)



RT250 - HYDRAULIC SYSTEM

HYDRAULIC TANK

(Early-Style Tank - identified by vent system and fill plug #6)



HOSE CONNECTION:

- #13 connects to T1 on Pilot Pressure Manifold
- #17 connects to hydraulic pump
- #18 connects to hydraulic cooler (upper port) — connects to steel tube on early machines or directly to the cooler on later machines.
- #20 connects to auxiliary hydraulics (loader arm left side)
- #21 connects to hydraulic main valve (bottom TEE)
- #23 connects to "TEE" on right side drive motor
- #29 connects to High-Flow hydraulics (loader arm right side)
- #42 connects to hydraulic cooler (upper port) **

Item No.	Part No.	Description	Qty.
01	50302527	WELDMENT, HYDRAULIC TANK	1
02	139438	CS FL LOCK 3/8" x 5/8"	3
03	194180	90 HB06-MAORB06	1
04	131913	BUMPER	1
05	653034	HLN 5/16" C2ZY	1
06	271689	PLUG, -24 (hydraulic oil fill)	1
07	274125	O-RING (included with item 6)	1
08	131577	PLUG MORB10	1
09	055898	O-RING (included with item 8)	1
10	131522	PLUG MORB12	1
11	048953	O-RING (included with item 10)	1
12	055064	45 MJ12-MAORB12	1
13	50301262	HOSE, MP12 x 75 IN.	1
14	230-32412	ADAP., MAORB20-BARB	1
15	077970	O-RING (included with item 14)	1
16	193743	CLAMP, T-BOLT 1.75 IN.	1
17	50301897	HOSE, LP 20 x 88.0 IN. (suction)	1
	50300818	GUARD, POLY HOSE (not shown)	1
		(hose guard is not included)	
18	137599	HOSE, MP12 x 26.0 IN. (Std. Hyd.)	1
19	055064	45 MJ12-MAORB12	1
20	273867	HOSE, MP 6 x 74.0 IN.	1
21	50301382	HOSE, MP4 x 67.0 IN.	1
22	079026	45 MJ06-MAORB06	2
23	273907	HOSE, MP8 x 49.0 IN.	1
24	076880	45 MJ08-MAORB08	1
25	134756	SIGHT PORT (oil level)	1
26	274125	O-RING (included with item 25)	1
27	122778	PLUG, MORB06 (std. hydraulics)	1
28	068938	ADAP., MJ06-MAORB06	1
29	274114	HOSE, MP 6 x 110.0 IN.	1
30	071700	LN 1/4 CBZY	2
31	50302525	BREATHER	1
32	651086	CB 1/4" x 1" C5ZY	1
33	650758	CB 1/4" x 3/4" C5ZY	1
34	50302530	BREATHER STANDPIPE	1
35	50301160	ST HB06-MORB06	1
36	087852	HOSE CLAMP #06	2
37	50302537	HOSE, FUEL 3/8" x 16"	1
38	L71042	CLAMP, VINYL 0.50" x 0.28"	1
42	50302969	HOSE, MP 16 x 56" *	1
47	088117	90 MJ16-FJS16 *	1
48	054818	ST MJ16-MORB12 *	1

* Used when machine is equipped with high-flow hydraulics option on early-style machines.



NOTE: Be aware when ordering items 18, 19, 42, 47, and 48 that early- and late-style machines used different hoses and fittings. For additional information, refer to the hydraulic cooler shown on pages 78 and 80.

RT250 - HYDRAULIC SYSTEM PILOT PRESSURE MANIFOLD CIRCUIT

Item			
No.	Part No.	Description	Qty.
01	274477	PILOT PRESSURE MANIFOLD	1
02	50304010	ST MJ04-MORB06/SP	1
03	50302211	HOSE, MP 4 x 29.0 IN	1
04	055005	90 MJ12-MAORB12	1
05	50301262	HOSE, MP 12 x 75.0 IN.	1
06	054626	ST MJ08-MORB08	2
07	273926	HOSE, MP 8 x 22.25 IN.	1
08	50302080	HOSE, MP 4 x 53.5 IN.	1
09	50301292	HOSE,MP 6 x 58.0 IN.	1
10	054820	TEE RUN MJ06-MAORB06-MJ06	1
11	274023	HOSE, MP 8 x 23.5 IN.	1
12	055064	45 MJ12-MAORB12	1
13	50301295	HOSE, MP 6 x 52.0 IN.	1

Item			
No.	Part No.	Description	Qty.
14	273883	HOSE, MP 12 x 30.0 IN.	1
15	274386	HOSE, MP 4 x 53.0 IN.	1
16	274386	HOSE, MP 4 x 53.0 IN.	1
17	171629	TEE RUN MJ04-MAORB04-MJ04	2
18	274389	HOSE, MP 4 x 31.0 IN.	1
19	274389	HOSE, MP 4 x 31.0 IN.	1
20	071703	LN 3/8" CBZY	2
21	652059	CB 3/8" x 3-1/4" C5ZY	2
22	132049	TEMPERATURE SWITCH	1
23	50301629	HOSE, MP 6 x 56.0 IN.	1
24	091039	90 MJ06-FJS06	1
25	072806	T MJ06-FJS06-MJ06	1
26	054994	ST MJ06-MORB06	1

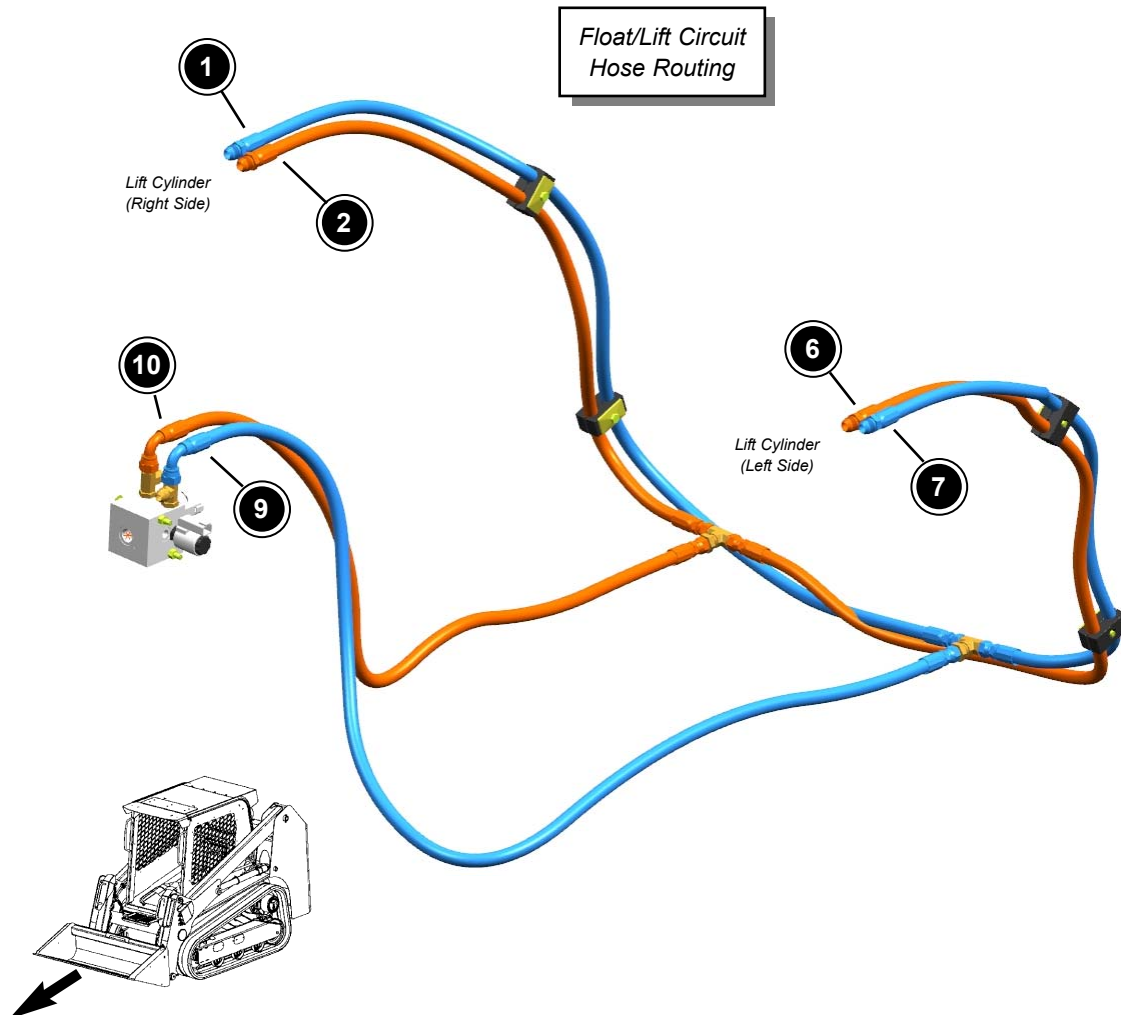
RT250 - HYDRAULIC SYSTEM FLOAT/LIFT CIRCUIT - (STANDARD) HYDRAGLIDE™ RIDE CONTROL - (OPTION)

Item No.	Part No.	Description	Qty.
01	50301386	HOSE, MP 8 x 75.0 IN. (lift circuit)	1
02	50301384	HOSE, MP 8 x 55.0 IN. (lift circuit)	1
03	271283	CLAMP, TUBE 23mm TWIN	4
04	L69833	PLATE, TOP SIZE 2 TWIN	4
05	650692	CS 5/16" x 1-13/4"	4
06	50301386	HOSE, MP 8 x 75.0 IN. (lift circuit)	1
07	50301384	HOSE, MP 8 x 55.0 IN. (lift circuit)	1
08	135578	TEE BLKHD BR MJ08-MJ08-MJ08	2
09	274047	HOSE, MP 8 x 76.0 IN.	1
10	274048	HOSE, MP 8 x 48.0 IN.	1
11	071701	LN 5/16 CBZY	2

Item No.	Part No.	Description	Qty.
12	274011	MANIFOLD, FLOAT *	1
13	651712	CB 5/16 x 4 C5ZY	2
14	184363	MANIFOLD, HYDRAGLIDE™ **	1
15	184415	ACCUMULATOR **	1
16	114742	TEE MJ08-MAORB08-MJ08	2

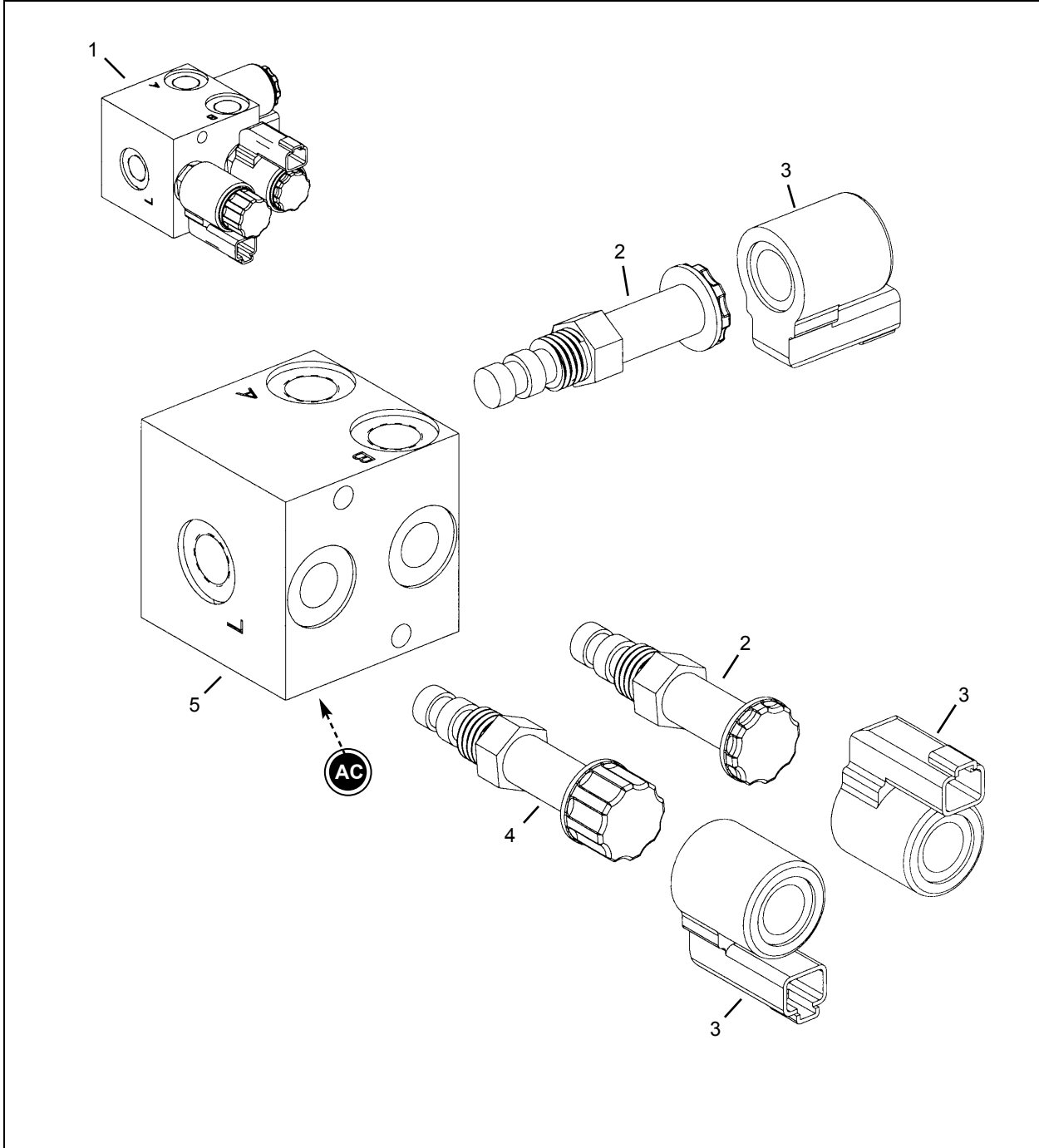
* Used only with the standard float system (one-button joystick); the (optional) Hydraglide™ Ride Control system uses item #14.

** Used only for the optional Hydraglide™ Ride Control system (two-button joystick).



RT250 - HYDRAULIC COMPONENTS

HYDRAGLIDE™ RIDE CONTROL MANIFOLD - (OPTION)



Item No.	Part No.	Description	Qty.
01	184363	MANIFOLD, HYDRAGLIDE™ <i>(includes all items shown)</i>	1
02	184389	CARTRIDGE 2-WAY NC	2
03	184384	COIL, 12 VDC	3
04	184388	CARTRIDGE 2-WAY NC	1
05	NSS	MANIFOLD BLOCK	1

RT250 - DECALS LEFT SIDE — (EARLY STYLE)



Item No.	Part No.	Description	Qty.
01	50302755	DECAL, RT250 LH	1
02	50300033	DECAL, SWOOSH (set) *	1
03		DECAL, JOYSTICK CONTROL (left)	1
	275631	ISO (standard)	
	275633	ISO-DH (option)	
04	184116	DECAL, 2-SPEED (set) *	1
05	50300032	DECAL, GEHL 4.23" x 18.00"	1
06	138711	DECAL, HYDRAGLIDE® **	1

Item No.	Part No.	Description	Qty.
07	137661	DECAL, TIE-DOWN POINT (clear)	1
08	50352518	DECAL, ULSD Fuel	1
09	137634	DECAL, DIESEL FUEL ONLY	1

** Set contains two decals—(1) left side and (1) right side.

** Used on machines equipped with optional Hydraglide™.

Part No.	Page No.	Item No.	Part No.	Page No.	Item No.	Part No.	Page No.	Item No.	Part No.	Page No.	Item No.
650585	49	27	651094	57	12	651778	33	06	656048	61	03
650585	95	09	651094	95		651780	61	23	656092	13	02
650588	57	27	651148	19	11	651783	07	06	656092	13	02
650588	95	35	651150	17	08	651783	07	24	656093	31	16
650606	07	24	651150	19	07	651784	33	01	656093	61	27
650606	26	04	651150	47	02	651800	13	08	656093	65	14
650606	27	04	651195	41	22	651808	47	05	656100	13	04
650629	99	08	651195	55	08	651813	23	06	656103	77	14
650629	101	05	651195	69	16	651820	25	04	656105	31	19
650629	101	09	651202	71	04	651820	28	02	656111	31	17
650631	17	07	651202	71	13	652040	123	25	656149	13	10
650649	93	06	651203	41	23	652059	119	21	656163	61	17
650653	91	03	651203	53	03	652140	57	14	656188	11	09
650663	18	02	651203	55	11	653005	35	11	810922	93	37
650663	41	16	651203	71	12	653005	37	11	H8049	93	22
650663	91	27	651212	09	36	653010	57	13	L41859	61	21
650663	97	05	651212	11	11	653026	93	39	L41859	79	36
650687	26	18	651212	11	12	653034	51	08	L41859	81	04
650687	27	18	651212	26	14	653034	107	06	L45666	39	29
650692	95	38	651212	27	14	653034	109	05	L45666	67	12
650692	97	08	651212	28	10	653038	28	17	L45666	79	13
650692	99	06	651212	29	11	653038	29	16	L45666	125	23
650692	127	25	651214	09	39	653044	29	07	L500099	09	06
650692	129	05	651308	09	25	653044	31	22	L500099	11	29
650695	19	06	651308	11	06	653054	93	05	L500403	41	18
650706	39	24	651308	15	03	654002	09	09	L500594	55	10
650731	93	02	651308	23	02	654002	11	20	L500595	39	02
650733	35	23	651312	23	30	654002	11	27	L500595	55	04
650733	37	28	651328	09	35	654002	13	03	L500664	41	19
650733	103	04	651328	11	11	654002	13	09	L500668	142	09
650733	105	04	651328	11	12	654002	35	02	L500668	143	07
650733	127	12	651328	26	12	654002	37	02	L51035	26	22
650745	73	05	651328	27	12	654002	41	03	L51035	27	22
650748	91	31	651328	28	11	654002	49	16	L51763	113	17
650758	51	02	651328	29	09	654004	07	14	L570005	39	25
650758	91	17	651343	53	05	654004	43	04	L570017	79	09
650758	109	33	651351	93	40	654004	49	08	L570017	81	15
650809	19	14	651395	77	13	654004	57	07	L62459	21	02
650810	32	05	651424	24	03	654004	61	22	L630004	63	06
650810	79	32	651424	25	02	654004	63	05	L69488	09	15
650810	81	29	651424	57	36	654004	127	14	L69488	09	27
650818	07	42	651448	11	10	654006	79	24	L69488	11	16
650834	49	28	651456	61	16	654006	81	35	L69488	53	10
650835	07	09	651457	13	09	654006	107	02	L69833	95	37
650835	57	41	651521	13	05	654009	49	25	L69833	97	09
650863	39	22	651529	09	38	654009	93	11	L69833	99	05
650863	97	04	651564	47	08	654046	13	15	L69833	129	04
650896	13	16	651602	32	03	654049	07	23	L70247	59	30
650934	91	14	651614	83	06	654049	43	17	L70487	23	13
650965	77	16	651646	23	29	654049	77	05	L71042	109	38
650969	53	02	651668	113	16	655006	93	24	L71076	25	06
651086	35	24	651689	31	24	655006	95	17	L71076	25	07
651086	37	27	651710	31	18	656007	61	20	L75990	79	18
651086	57	24	651712	127	22	656047	57	32	L75990	81	11
651086	61	10	651712	129	13	656047	61	04	L99405	141	05
651086	97	02	651732	61	18	656047	95		L99857	142	06
651086	109	32	651763	47	06	656048	57	33			

CLICK HERE TO **DOWNLOAD** THE COMPLETE MANUAL

- Thank you very much for reading the preview of the manual.
- You can download the complete manual from: www.heydownloads.com by clicking the link below



- Please note: If there is no response to CLICKING the link, please download this PDF first and then click on it.

CLICK HERE TO **DOWNLOAD** THE COMPLETE MANUAL