



GEHL

RT215 RT215 (EU) RT215 X-Series

**Compact Track Loader
Parts Manual**

50960150 Rev. C 05/20

CLICK HERE TO **DOWNLOAD** THE COMPLETE MANUAL

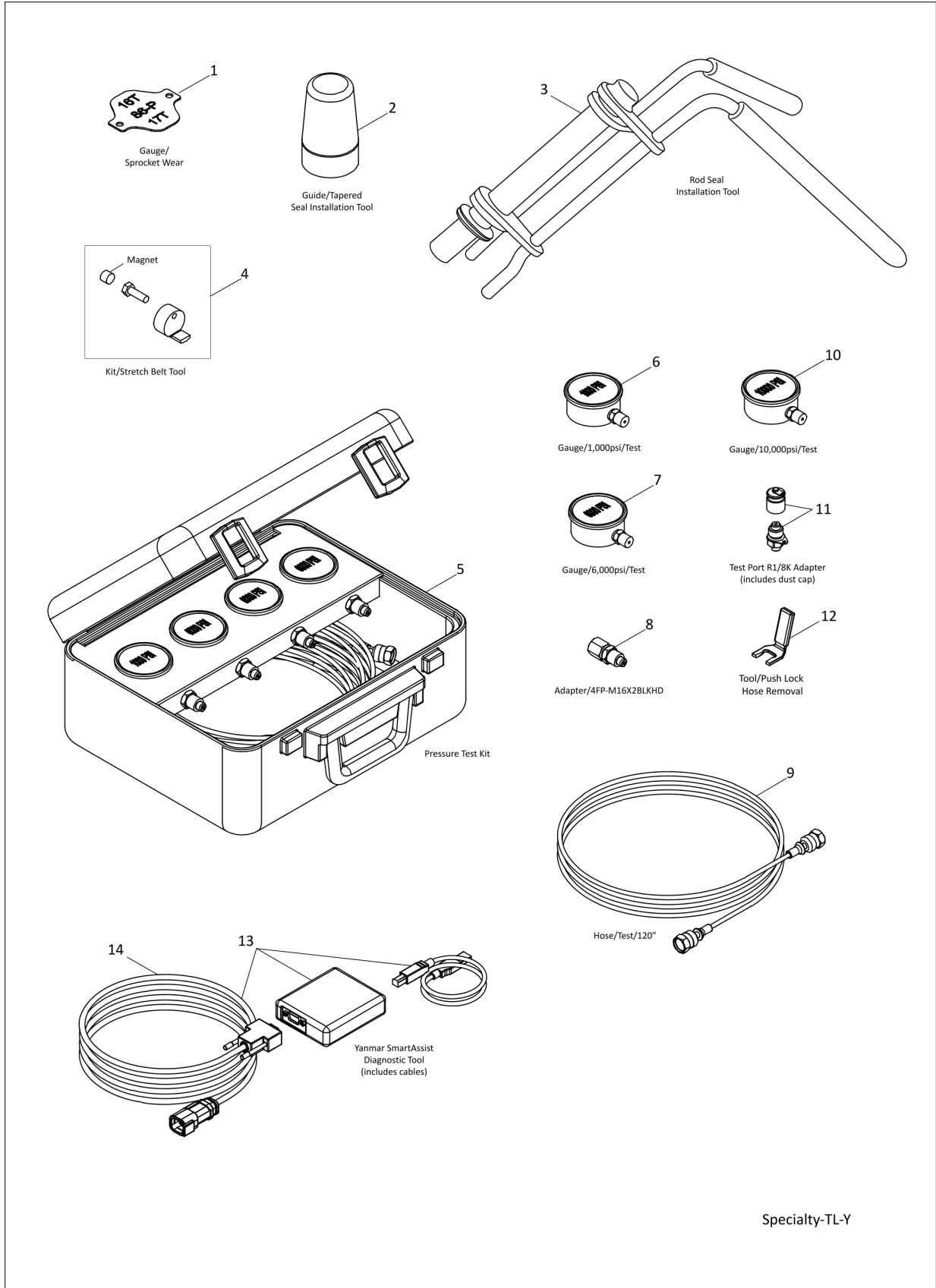
- Thank you very much for reading the preview of the manual.
- You can download the complete manual from: www.heydownloads.com by clicking the link below



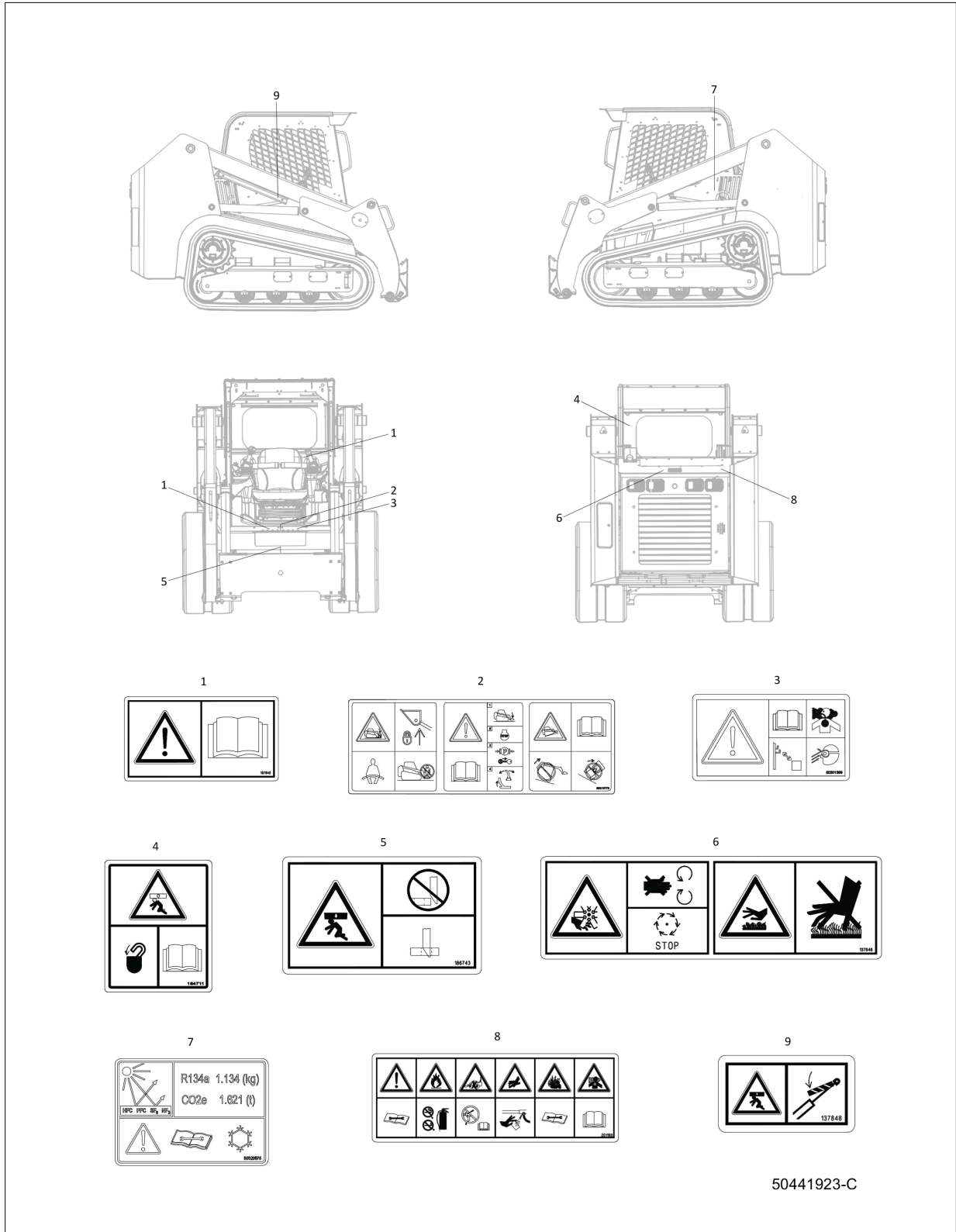
- Please note: If there is no response to CLICKING the link, please download this PDF first and then click on it.

CLICK HERE TO **DOWNLOAD** THE COMPLETE MANUAL

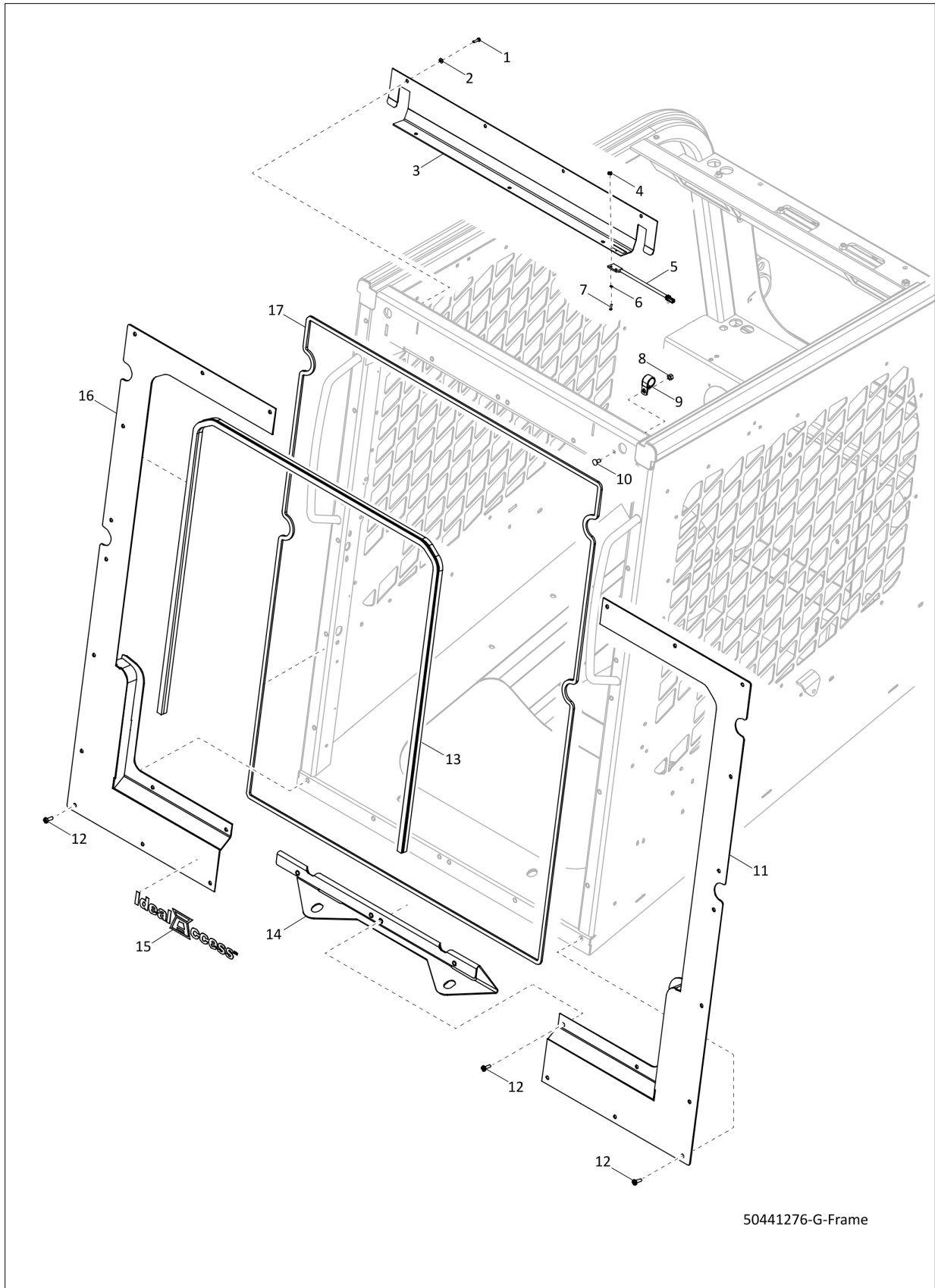
SERVICE PARTS Specialty Tools



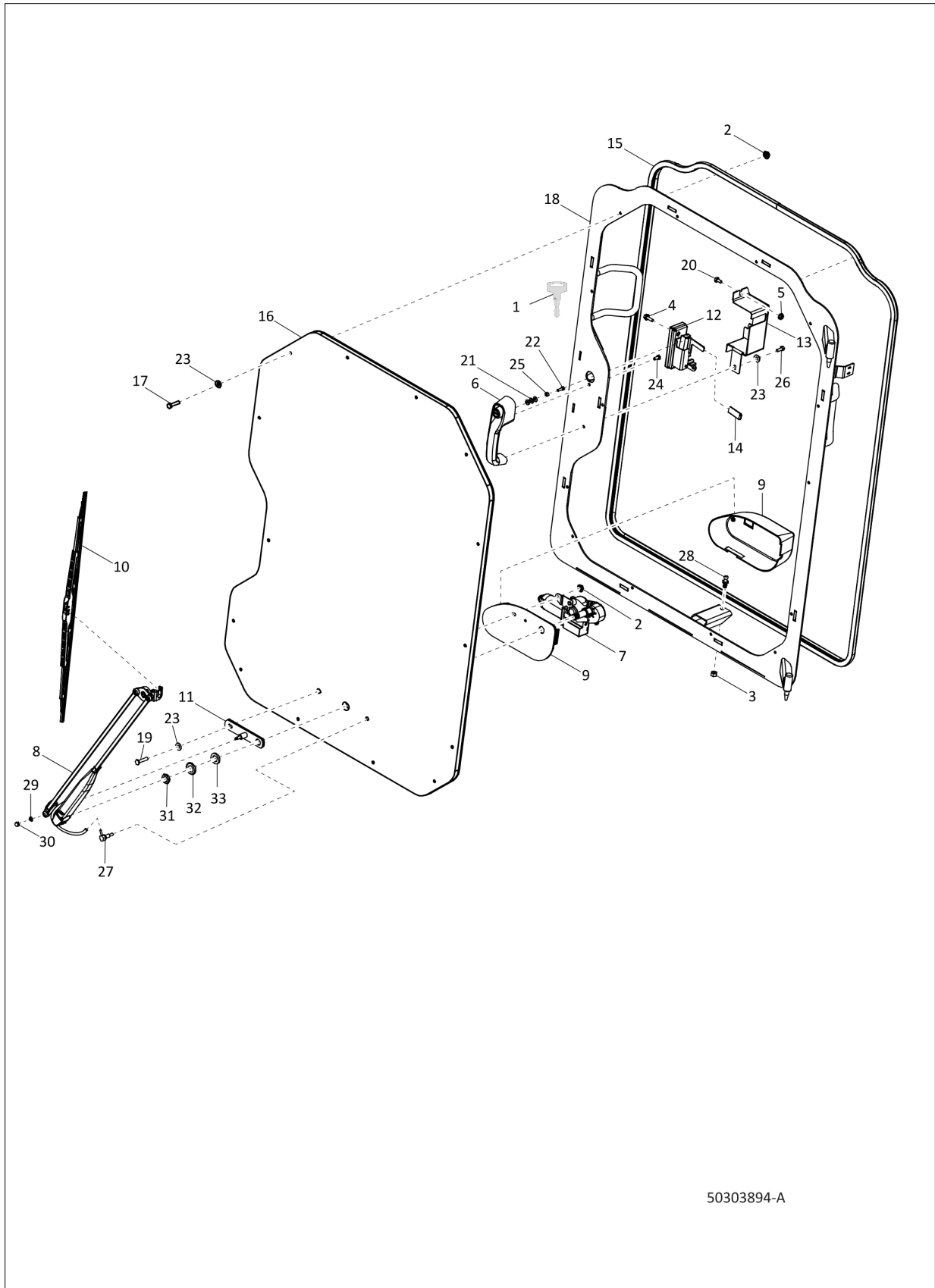
Specialty-TL-Y



Doors Fold-Up (Frame)

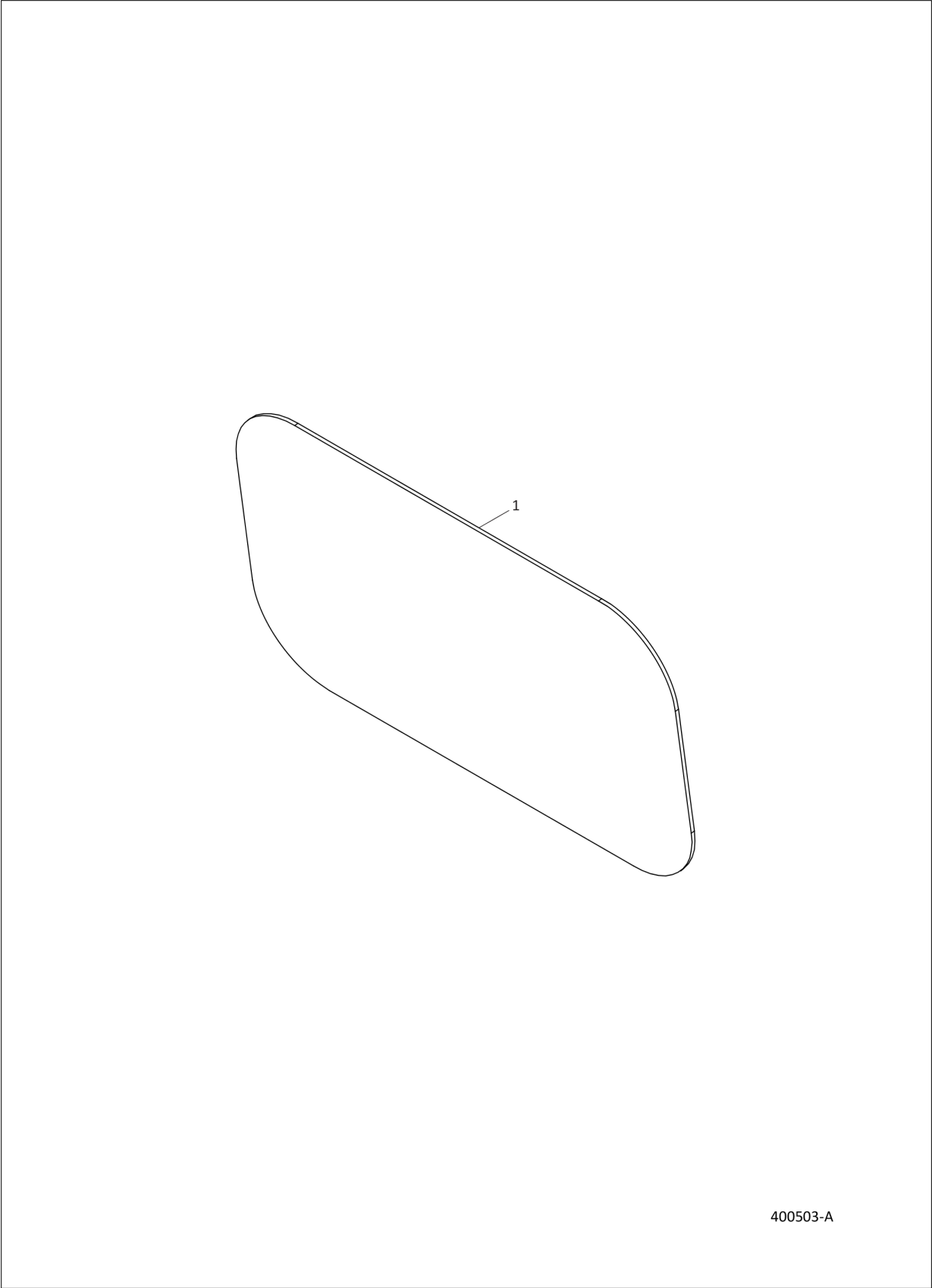


Doors Impact (Components)



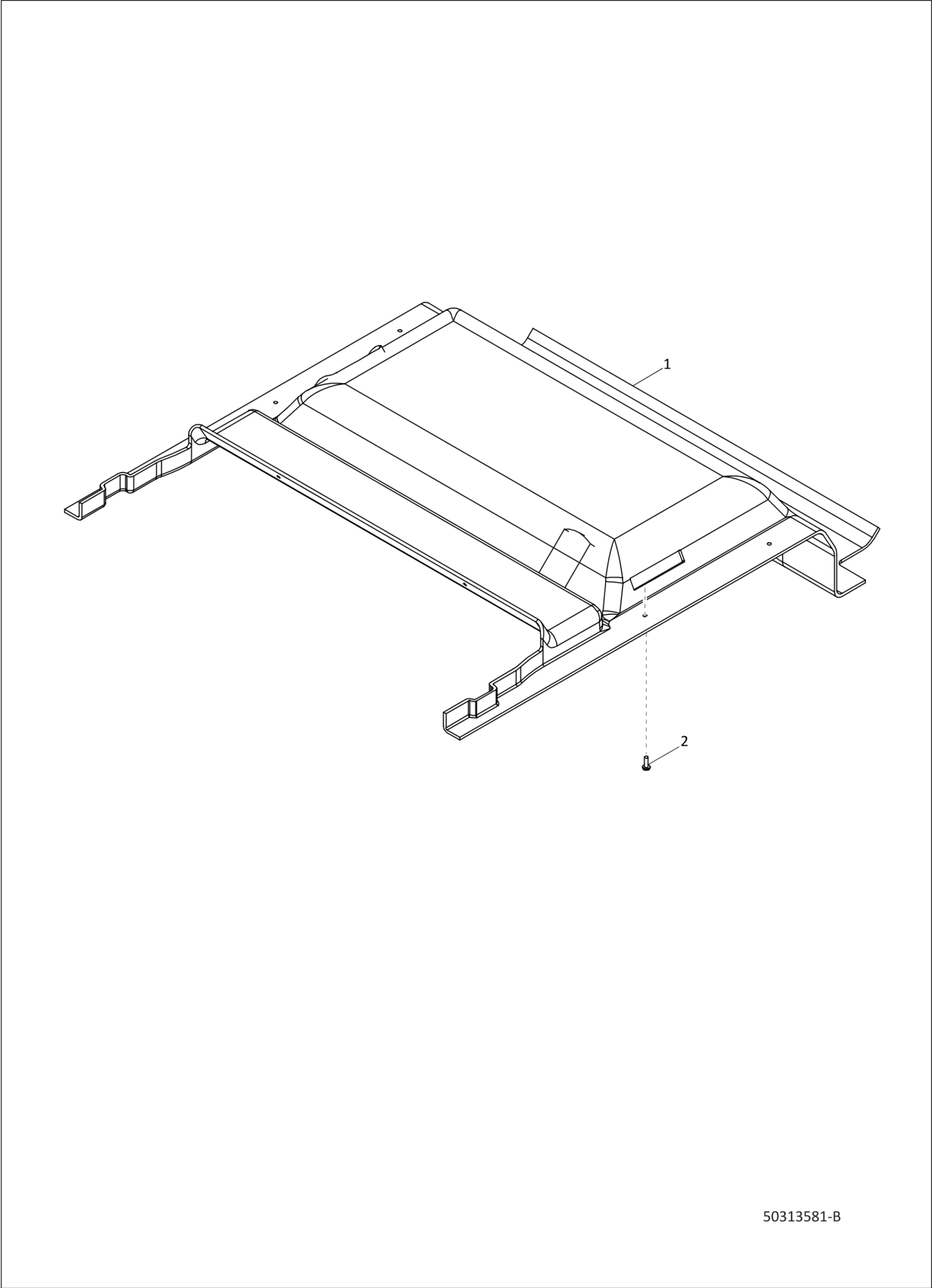
50303894-A

Windows Rear (No Wiper)



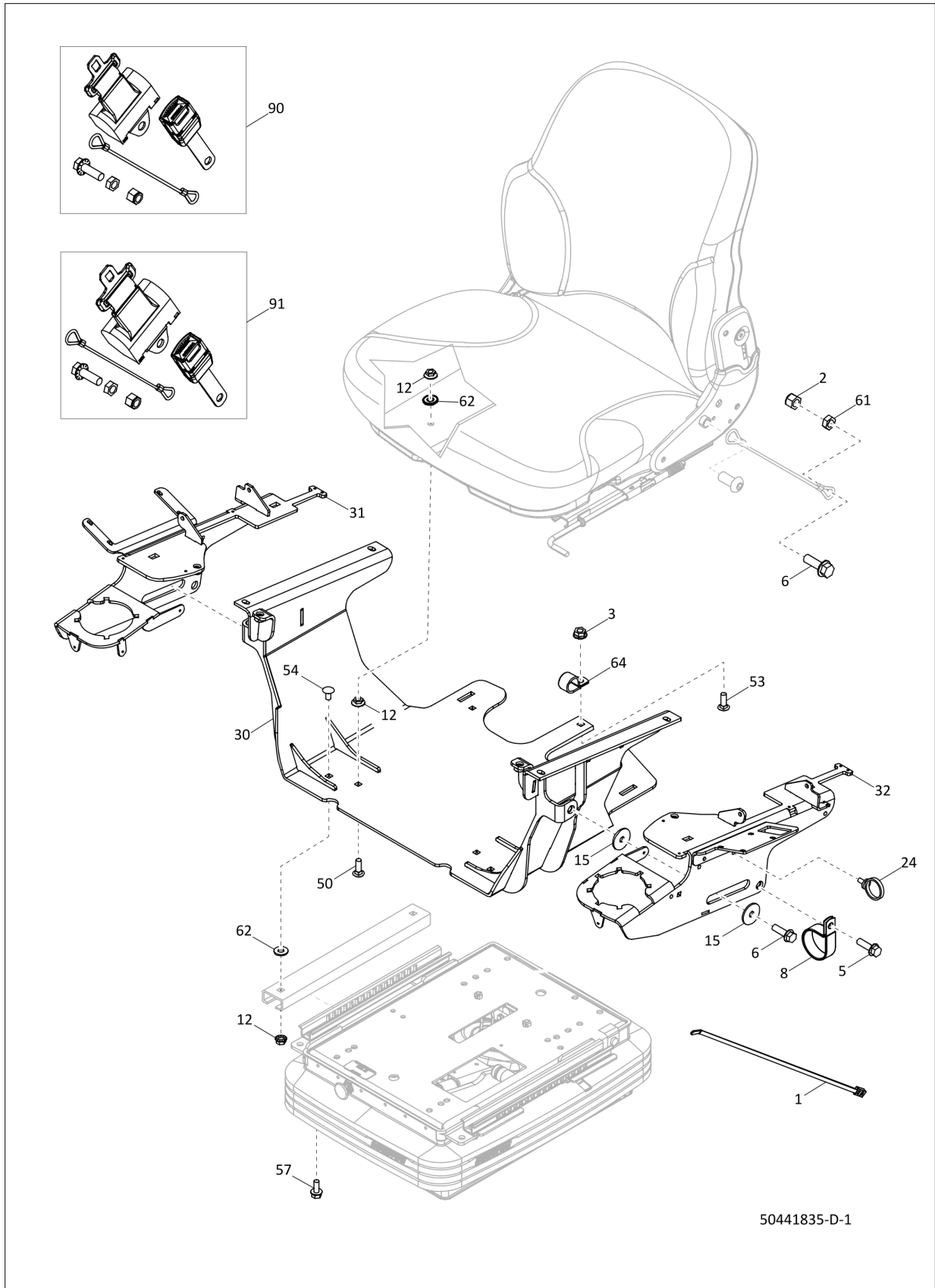
400503-A

Interior Headliner (Fold-Up Door w/o HVAC)



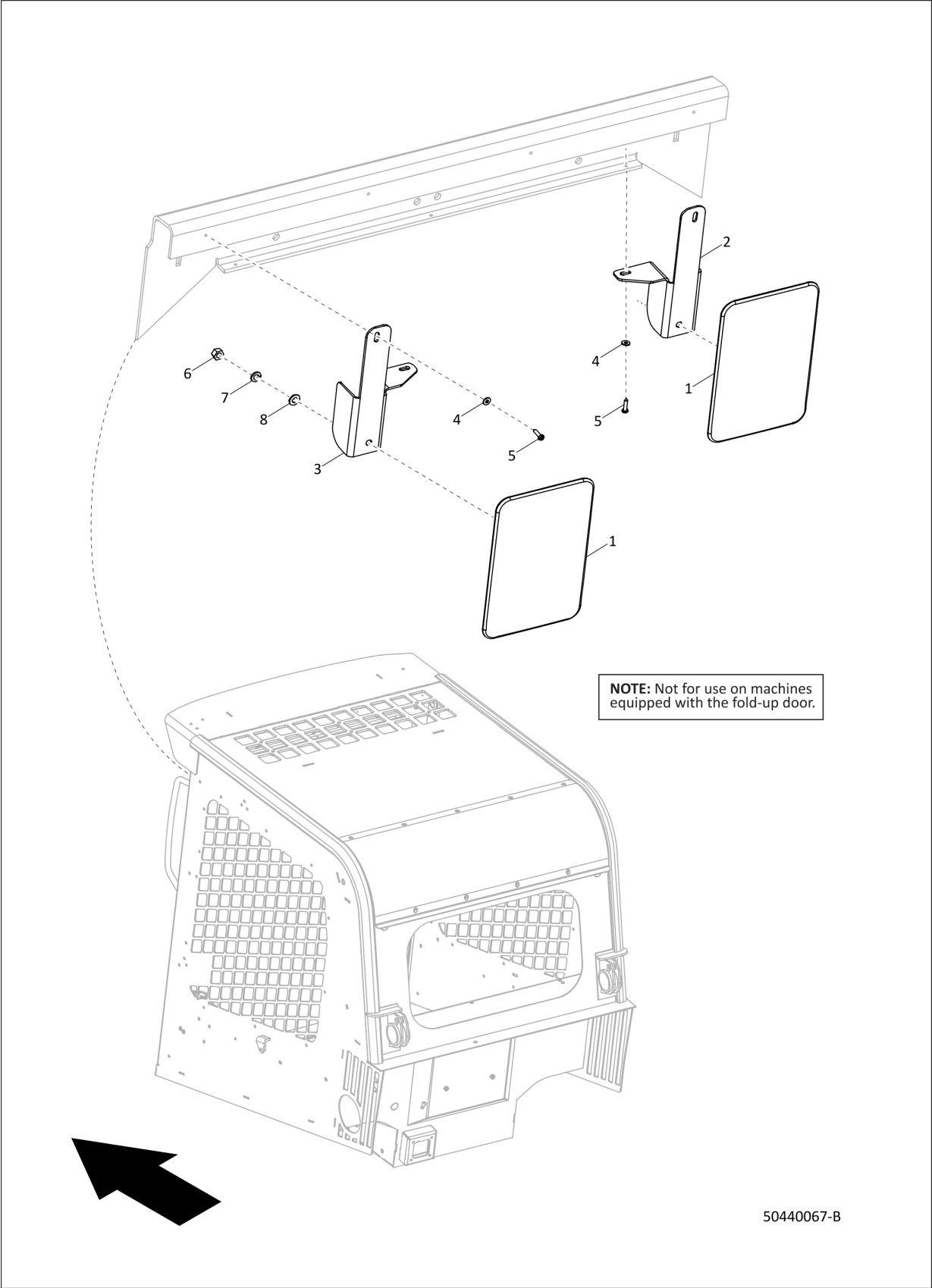
50313581-B

Interior Seat Group



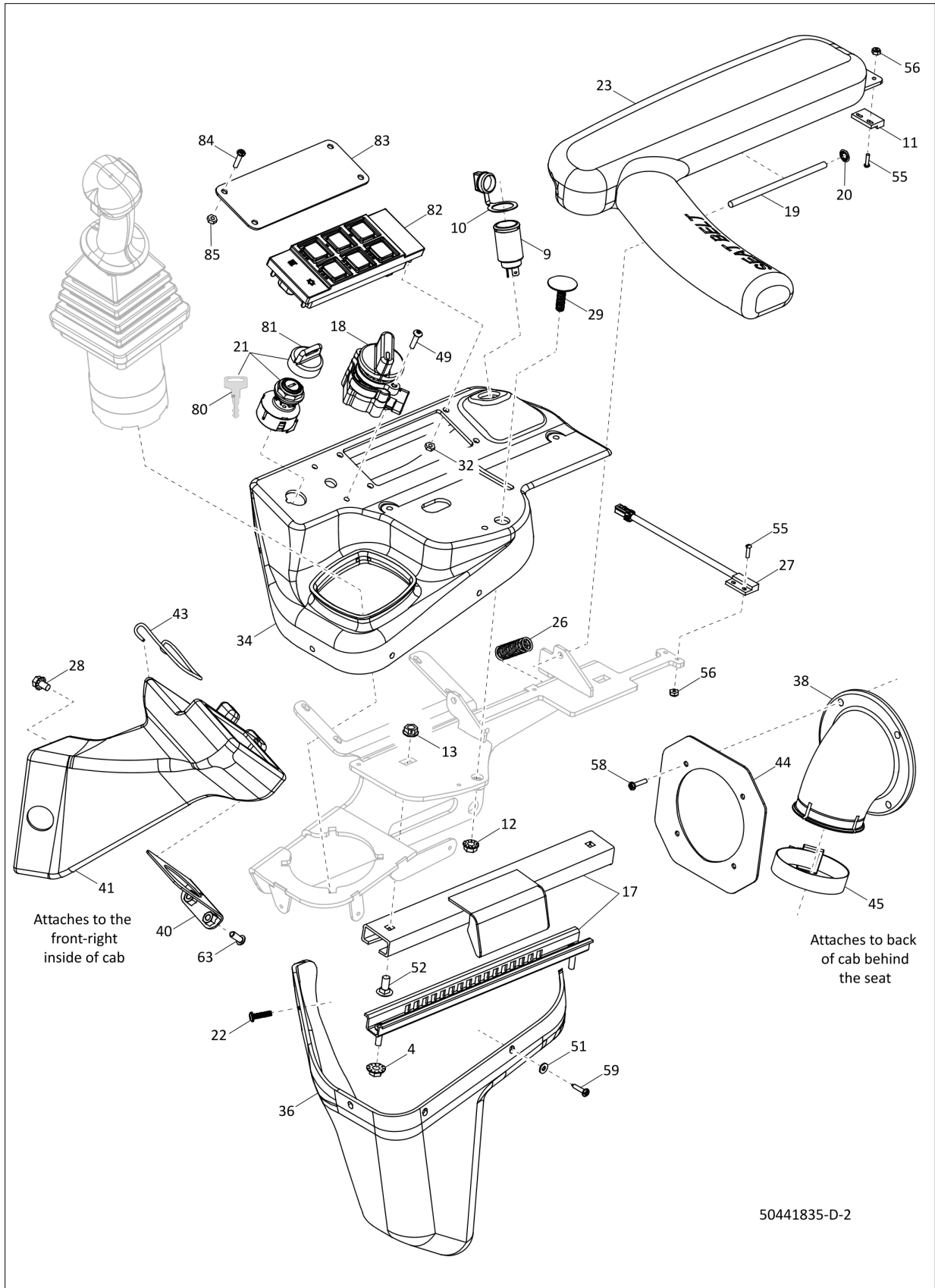
50441835-D-1

Interior Mirrors (EU)

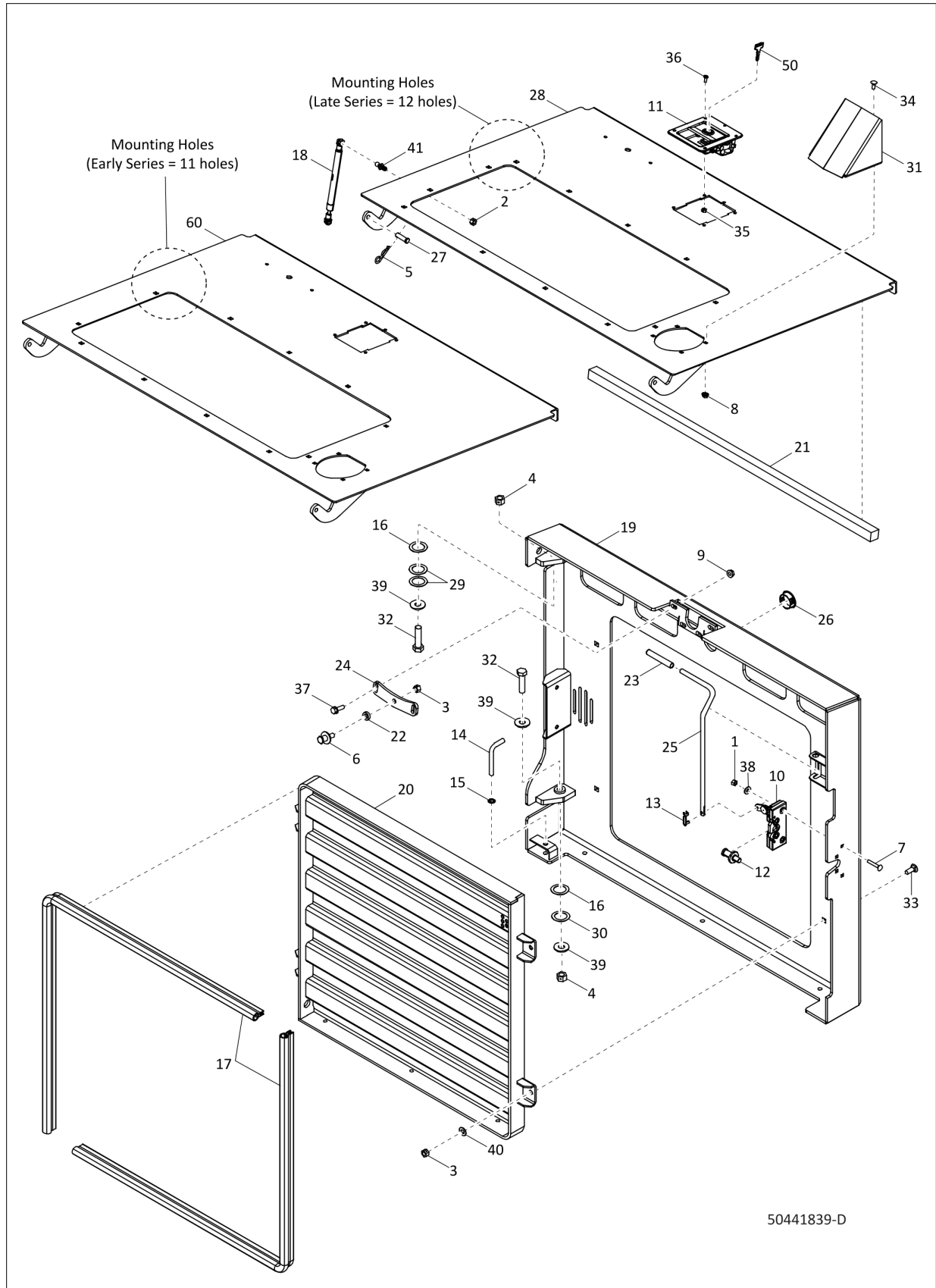


Item	Part No.	Name	Qty	Remarks
40	50302198	Brkt/Heater Hose	1	
41	271283	CLAMP/HOSE 23MM TWIN	1	
42	50305597	PLATE/TOP SIZE 3 TWIN	1	
43	064260	HLN INST 5/16 CZY	1	

CONTROLS Right Side

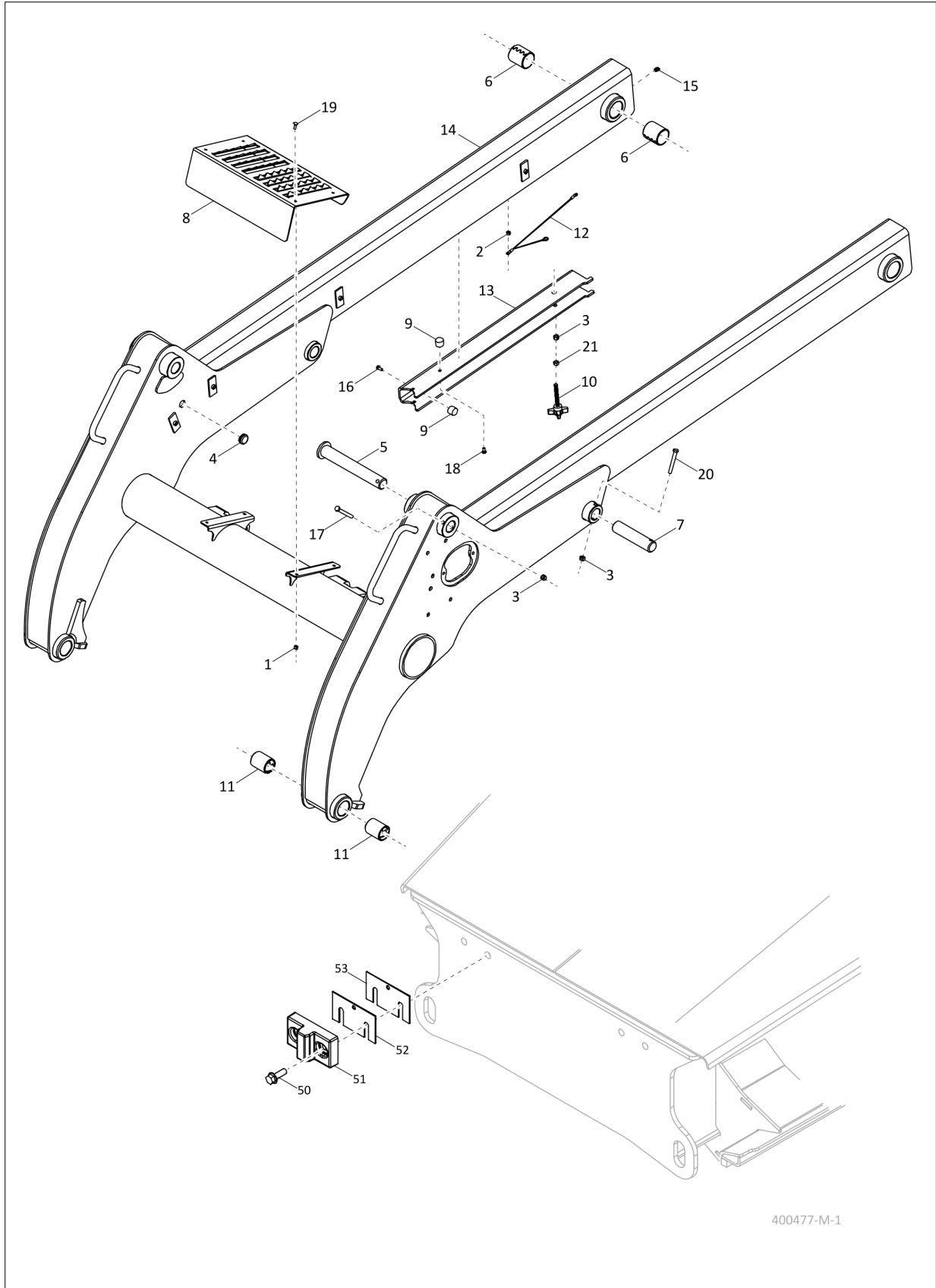


CHASSIS Covers - Engine and Grill (Domestic)



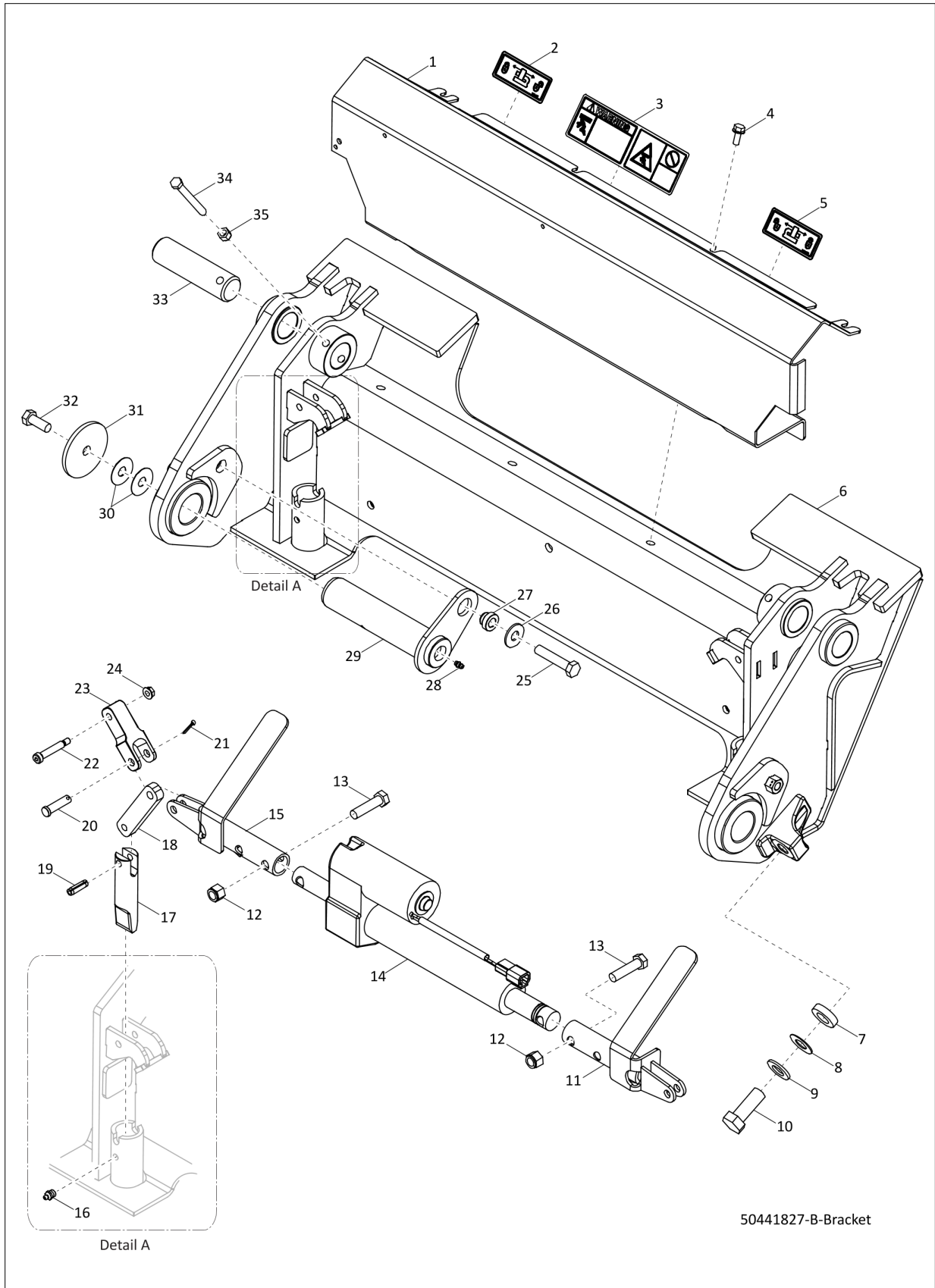
Item	Part No.	Name	Qty	Remarks
40	654049	FW 3/8 ANZY	4	
41	L69488	STUD/BALL	4	
50	50280186	KEY/8001 (14603)	1	Included with item 11

LIFT ARM Lift Arm

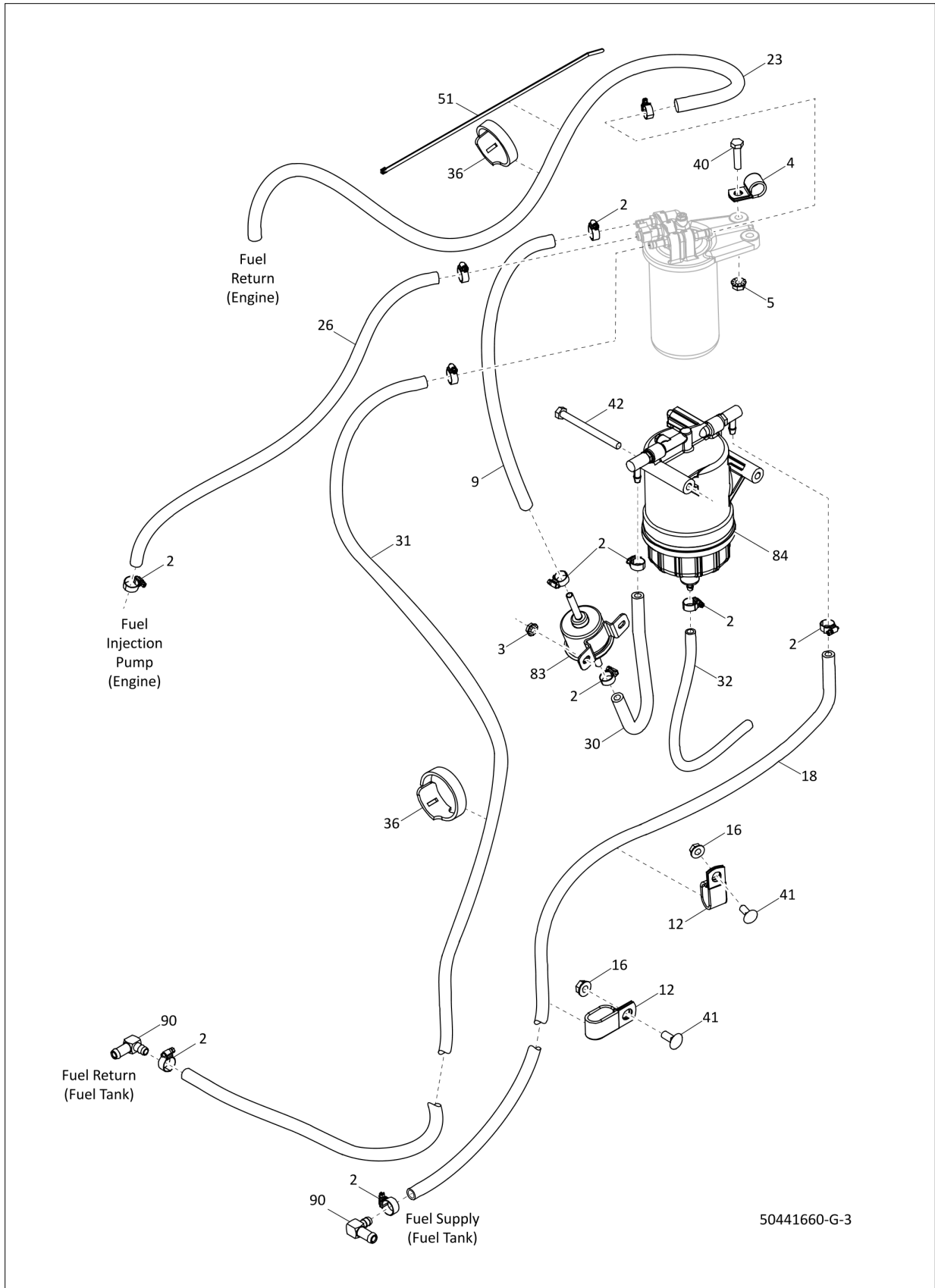


400477-M-1

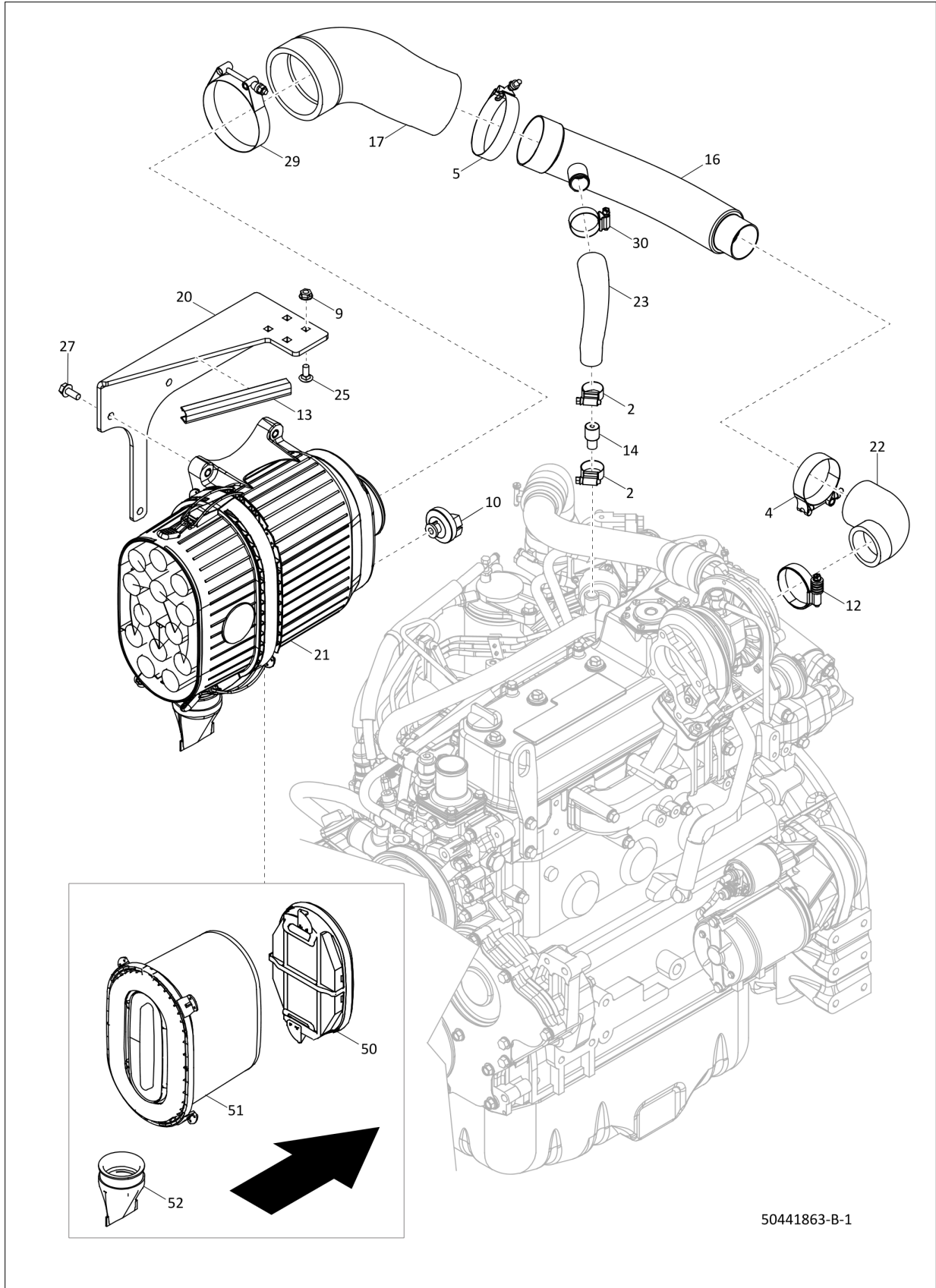
Attachments Attachment Bracket (Power-A-Tach)



ENGINE Fuel Circuit (Domestic/EU)

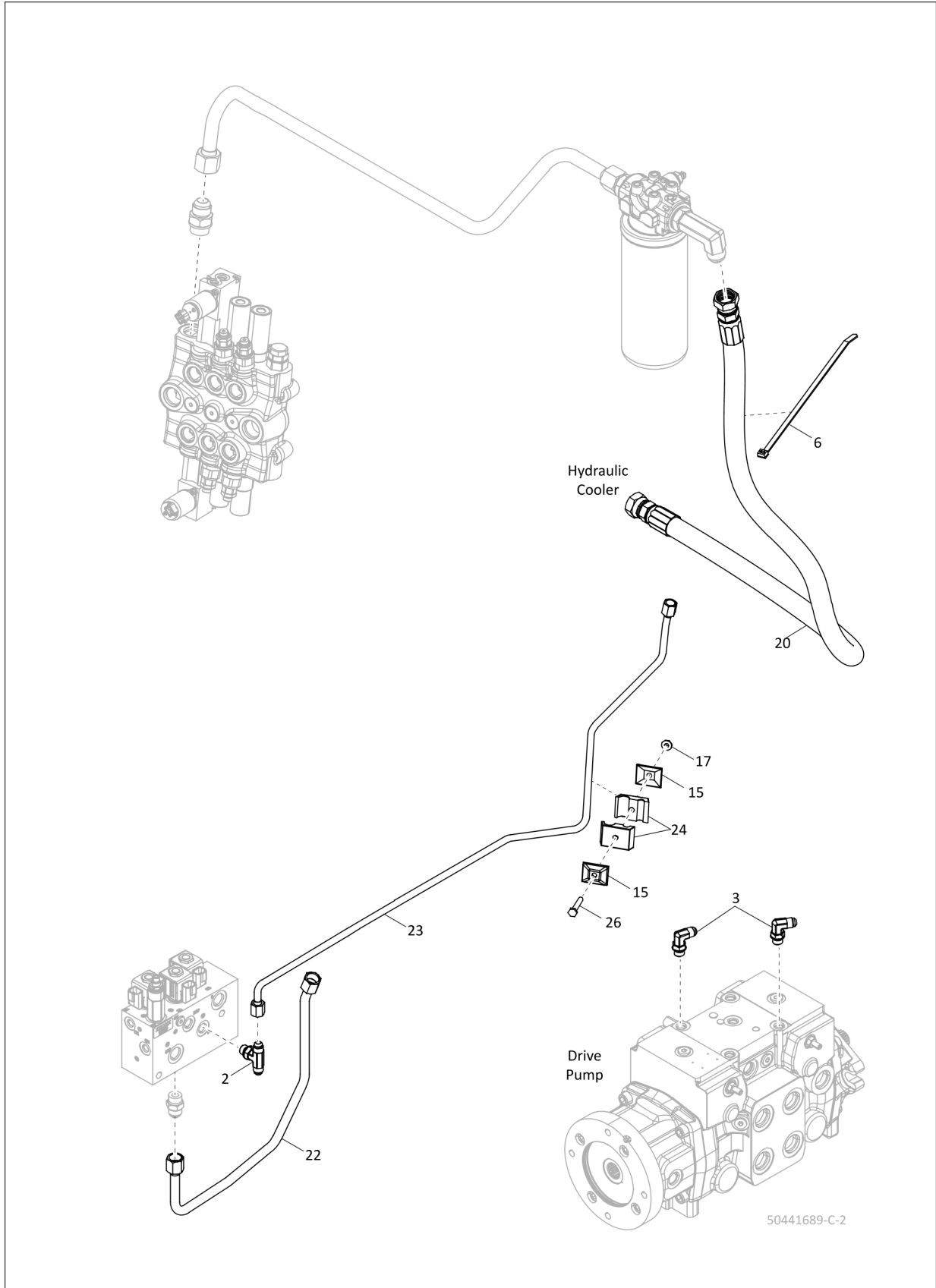


ENGINE Air Intake (ROW)

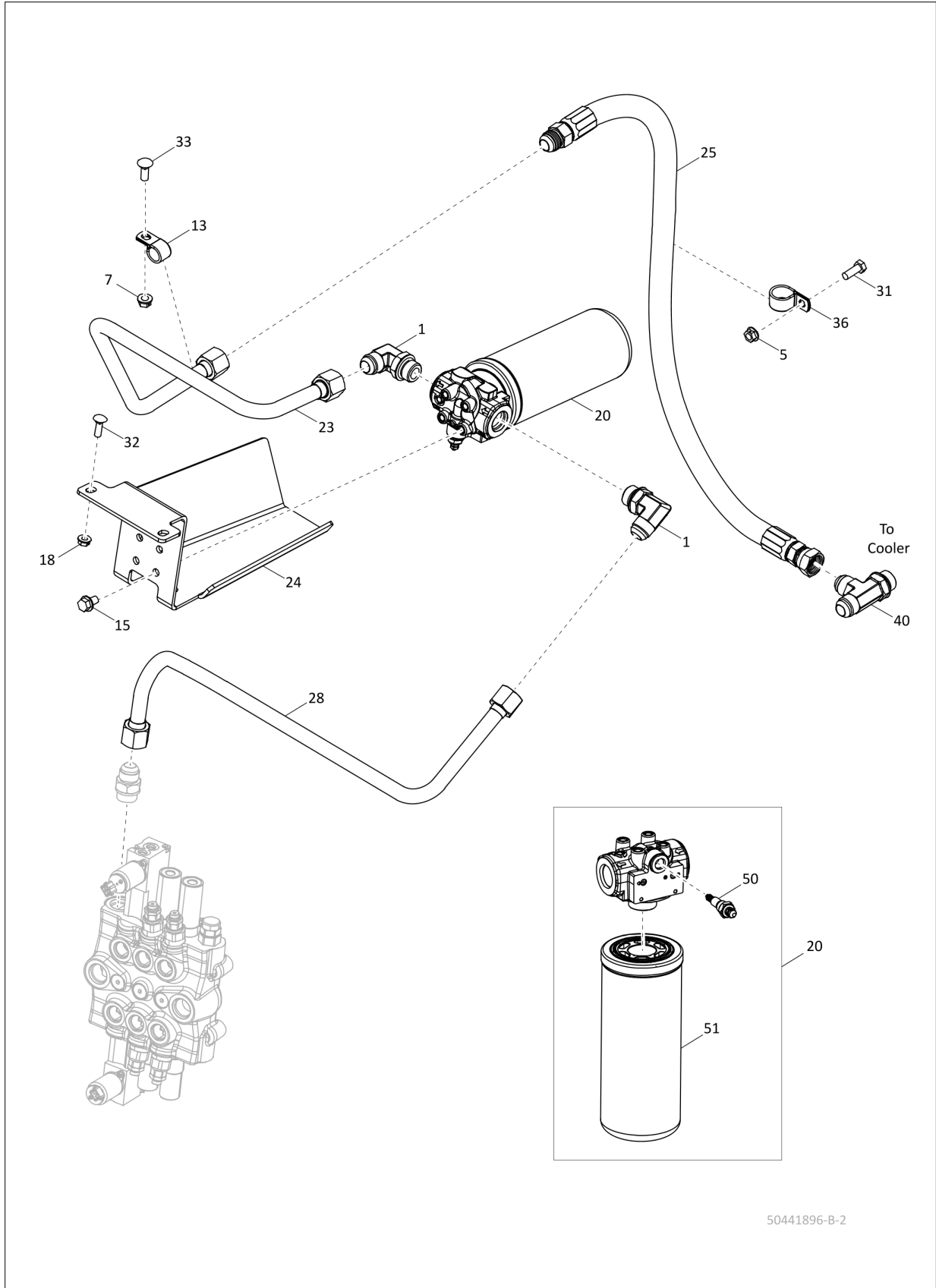


50441863-B-1

HYDRAULICS Hydraulic Tank Group (Part 2 of 2) (Domestic - Late Series)



HYDRAULICS Hydraulic Tank Group (Part 2 of 3) (ROW)



50441896-B-2

CLICK HERE TO **DOWNLOAD** THE COMPLETE MANUAL

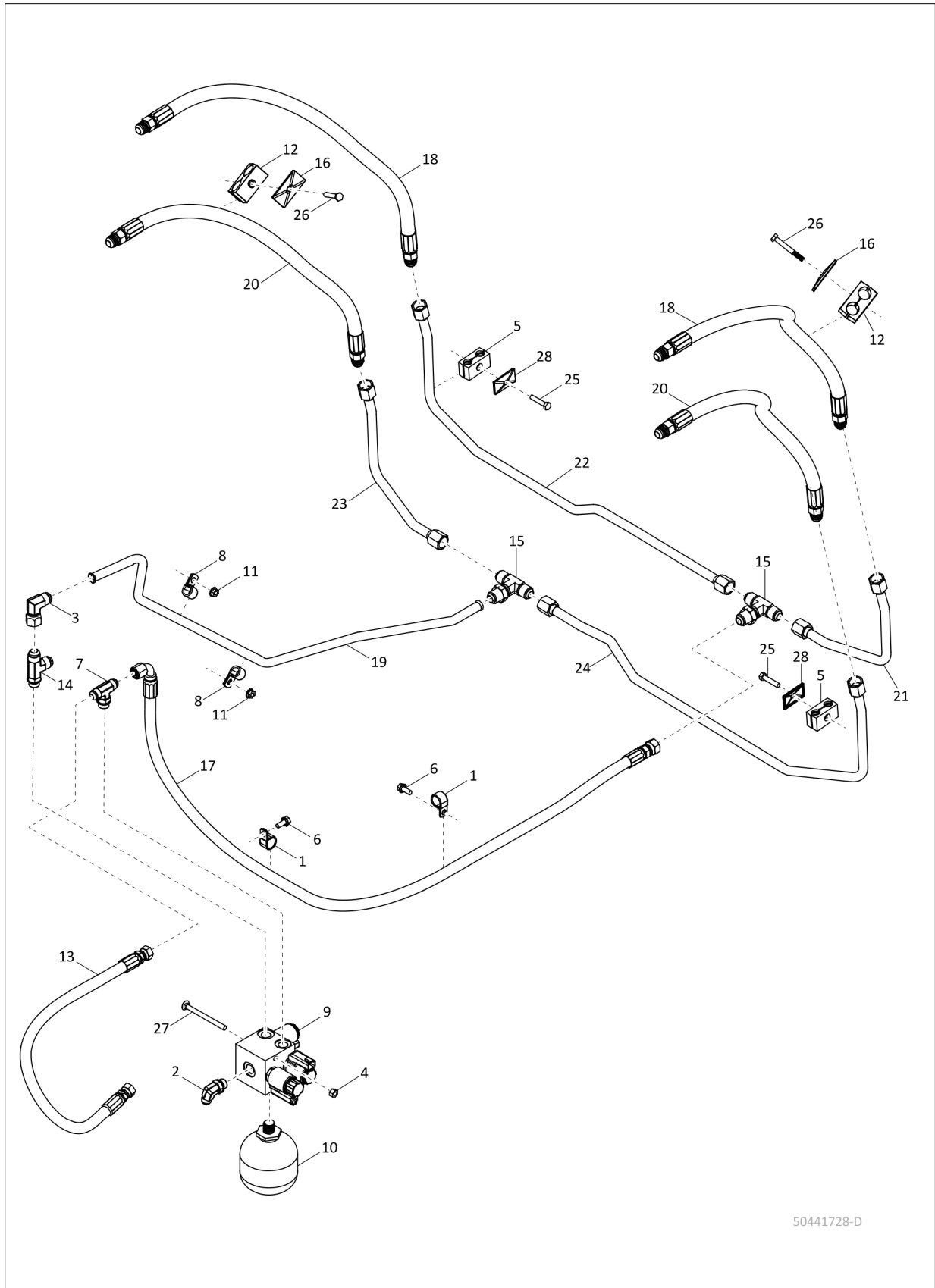
- Thank you very much for reading the preview of the manual.
- You can download the complete manual from: www.heydownloads.com by clicking the link below



- Please note: If there is no response to CLICKING the link, please download this PDF first and then click on it.

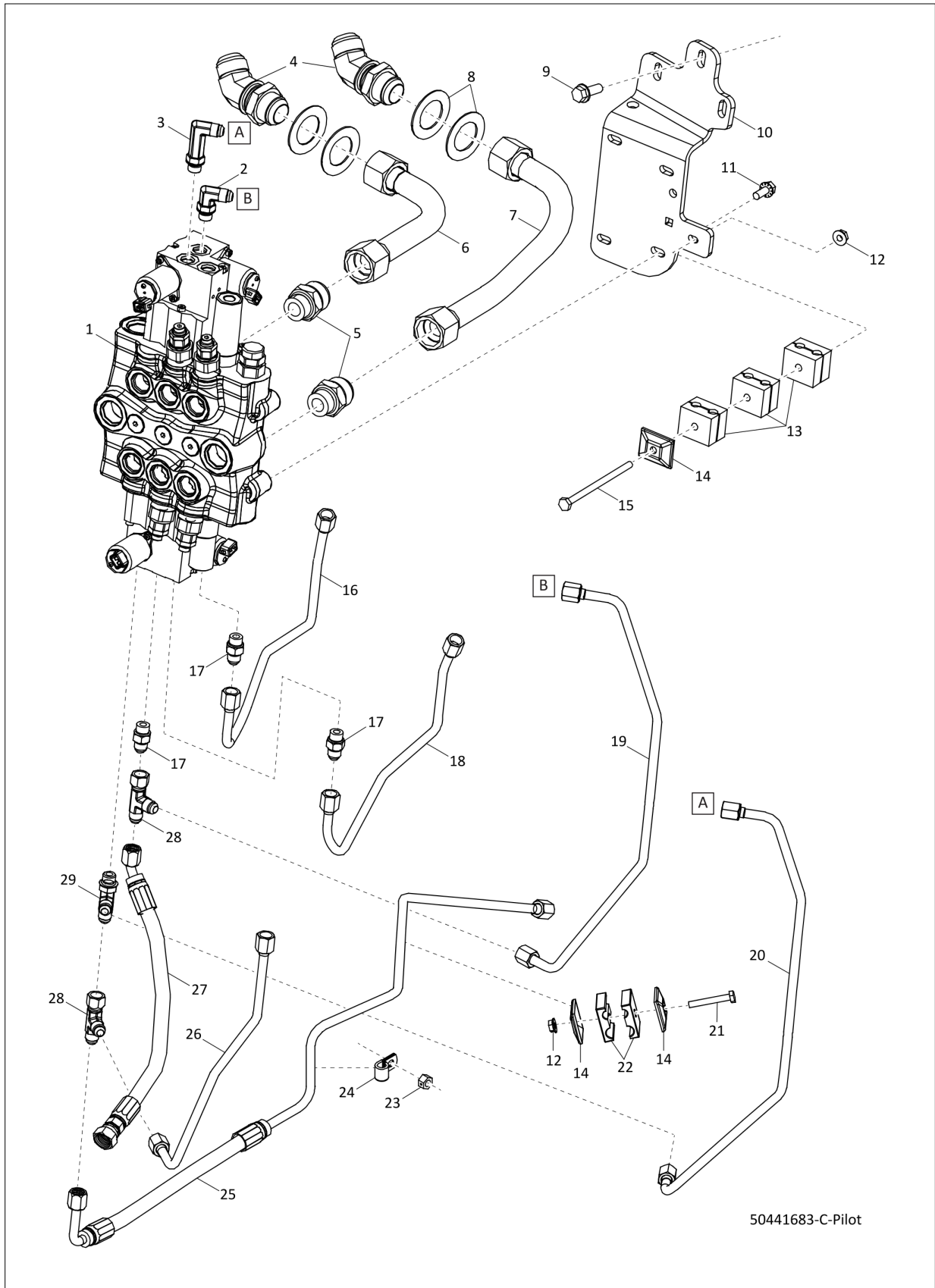
CLICK HERE TO **DOWNLOAD** THE COMPLETE MANUAL

HYDRAULICS Float-Hydraglide Circuit (Late Series)

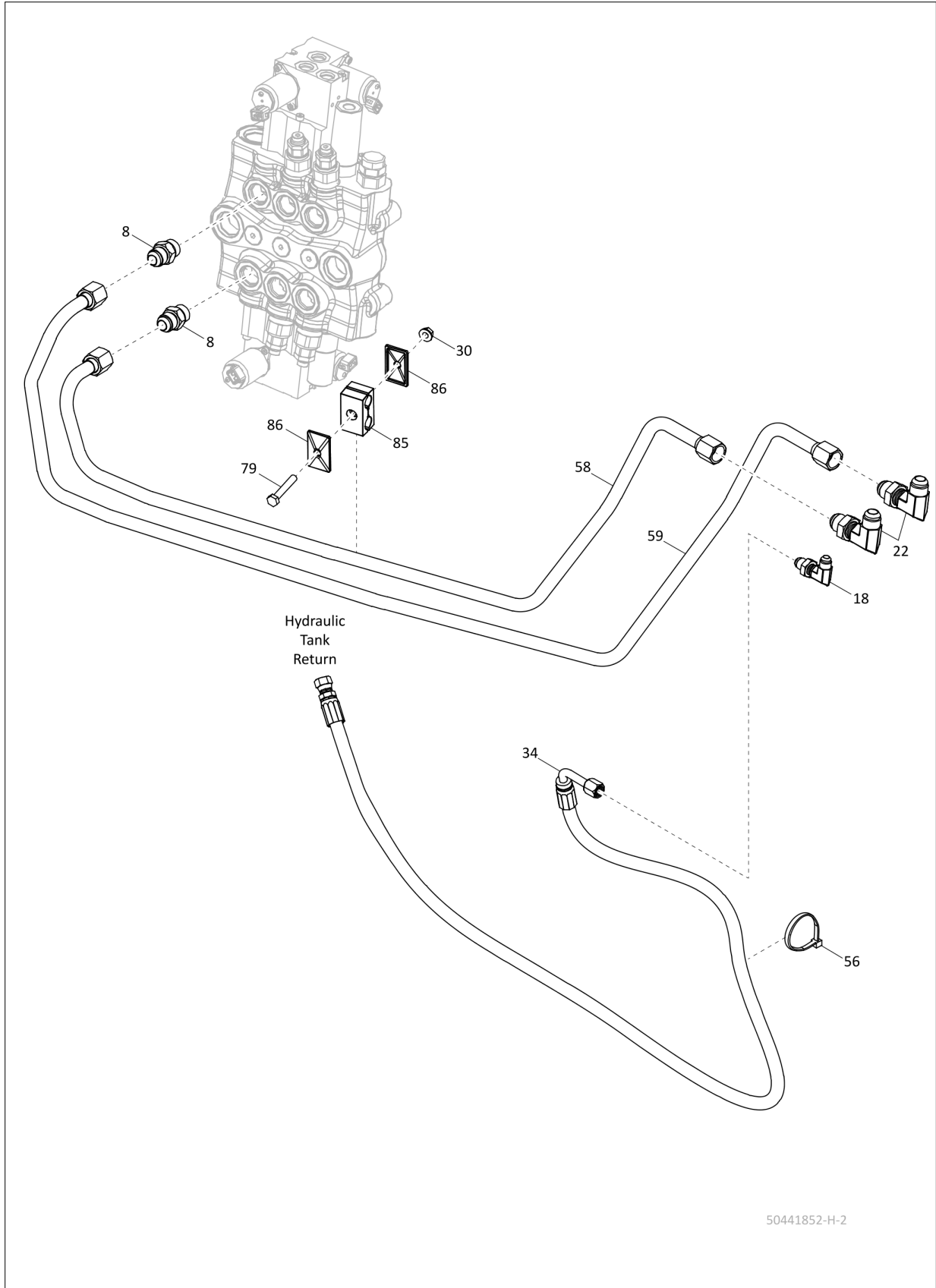


50441728-D

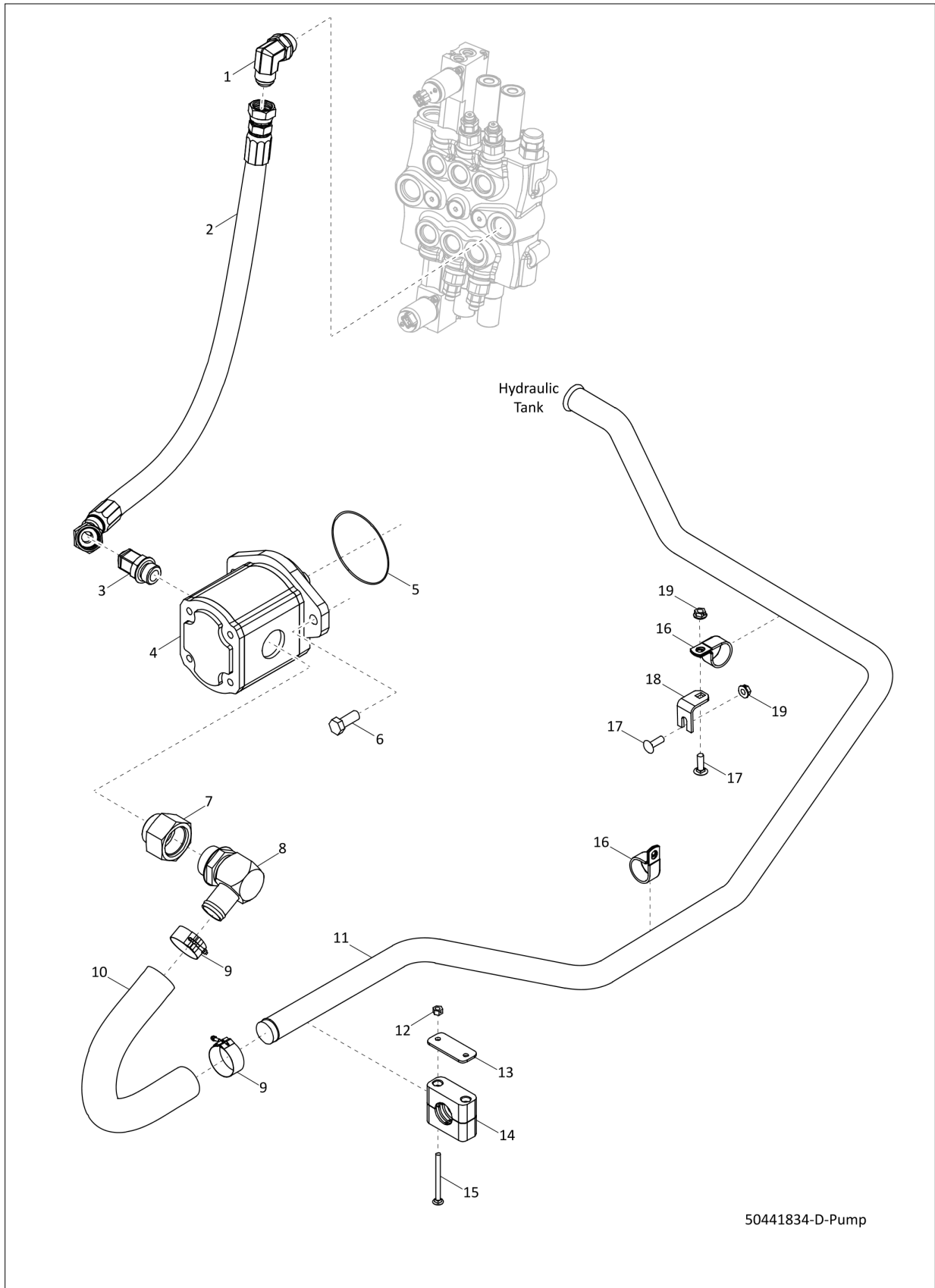
HYDRAULICS Pilot Circuit - High Flow(DOM); RT215 SN 300462 and before;
2150RT SN 101403 and before



HYDRAULICS Pilot Auxiliary Tubes - High Flow (EU)

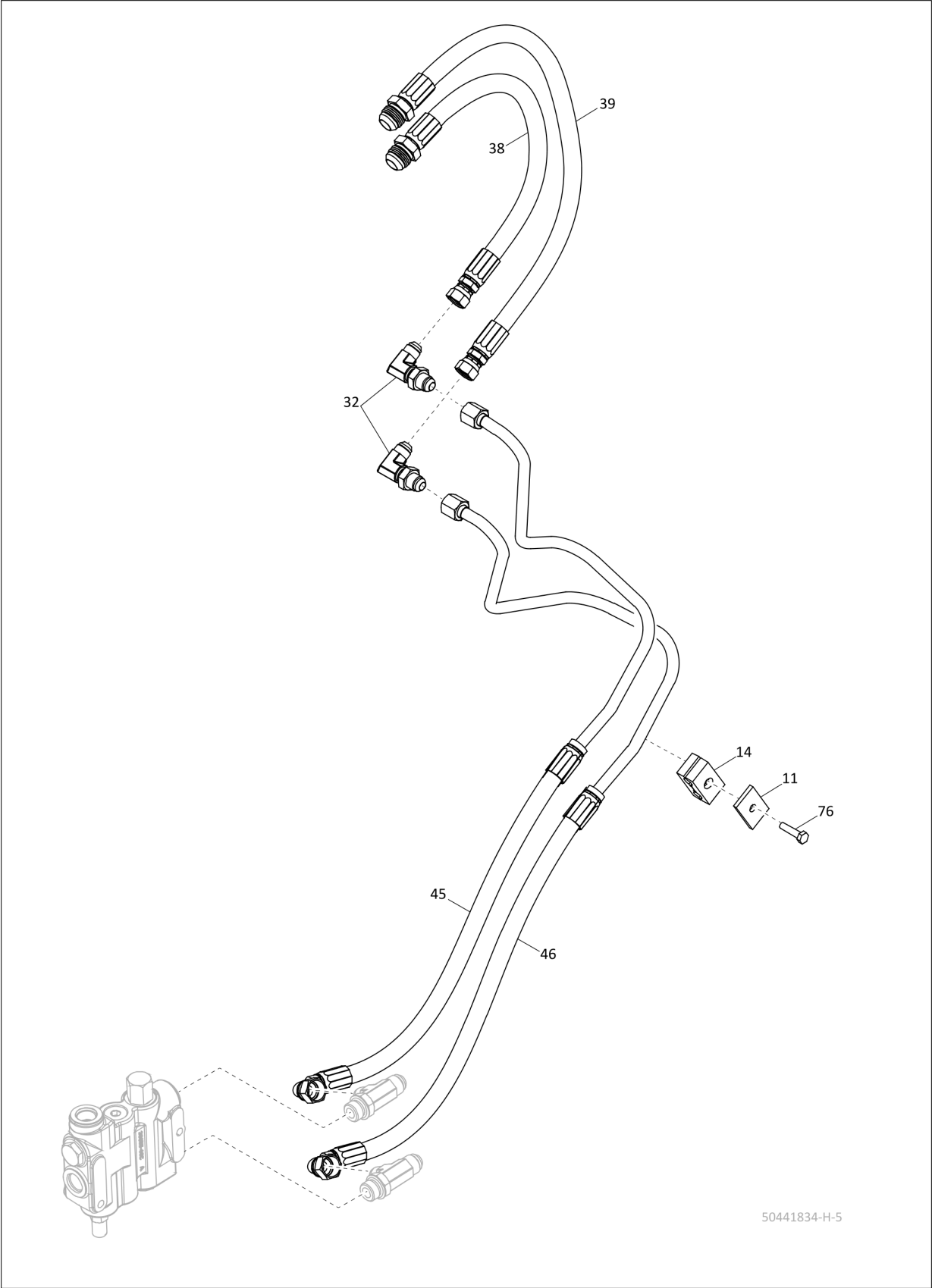


HYDRAULICS Hydraulic Pump Circuit - Standard (DOM / ROW); RT215 SN 300462 and before; 2150RT SN 10403 and before



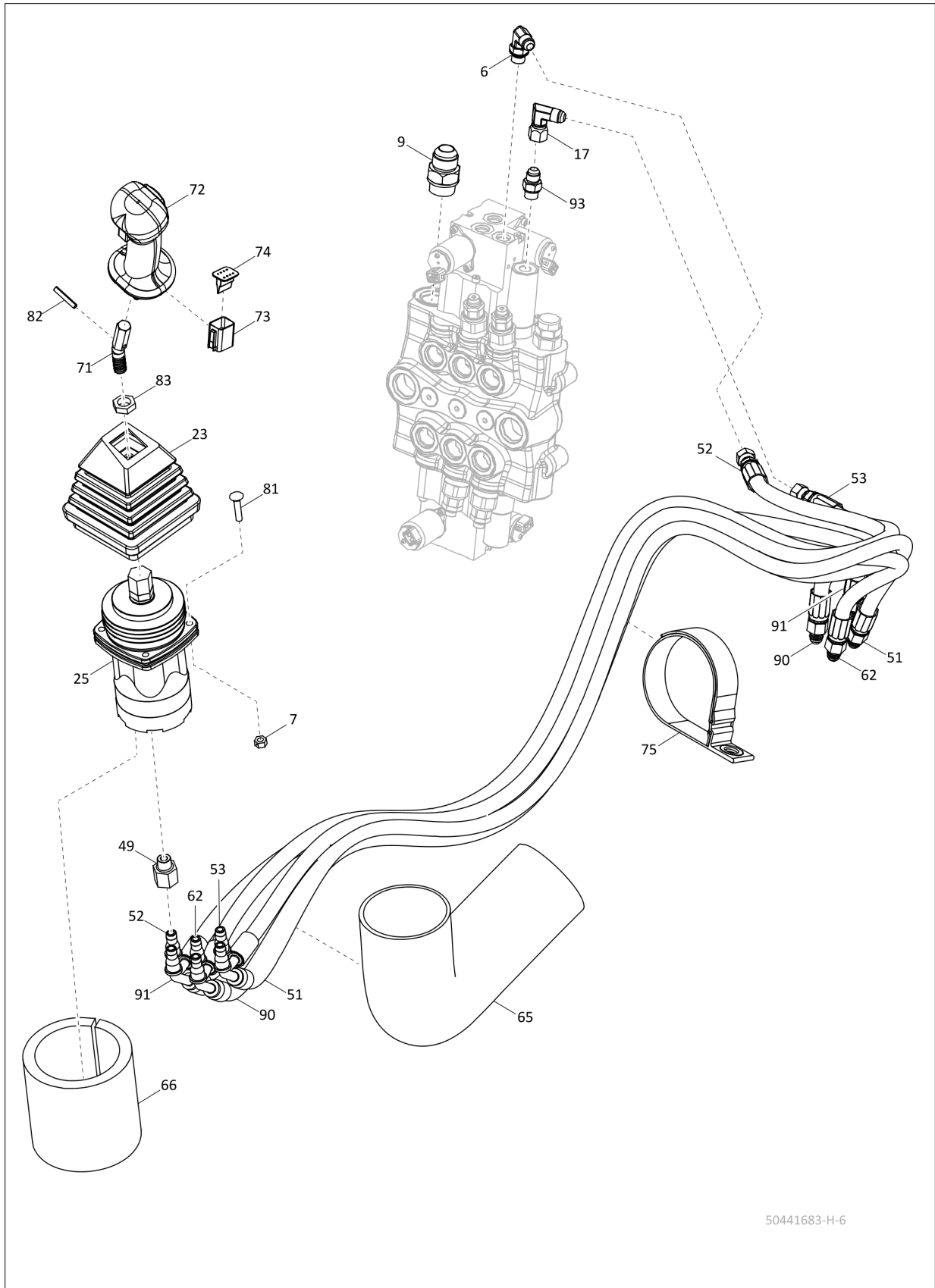
50441834-D-Pump

HYDRAULICS Tilt Hoses- Standard (DOM / ROW)



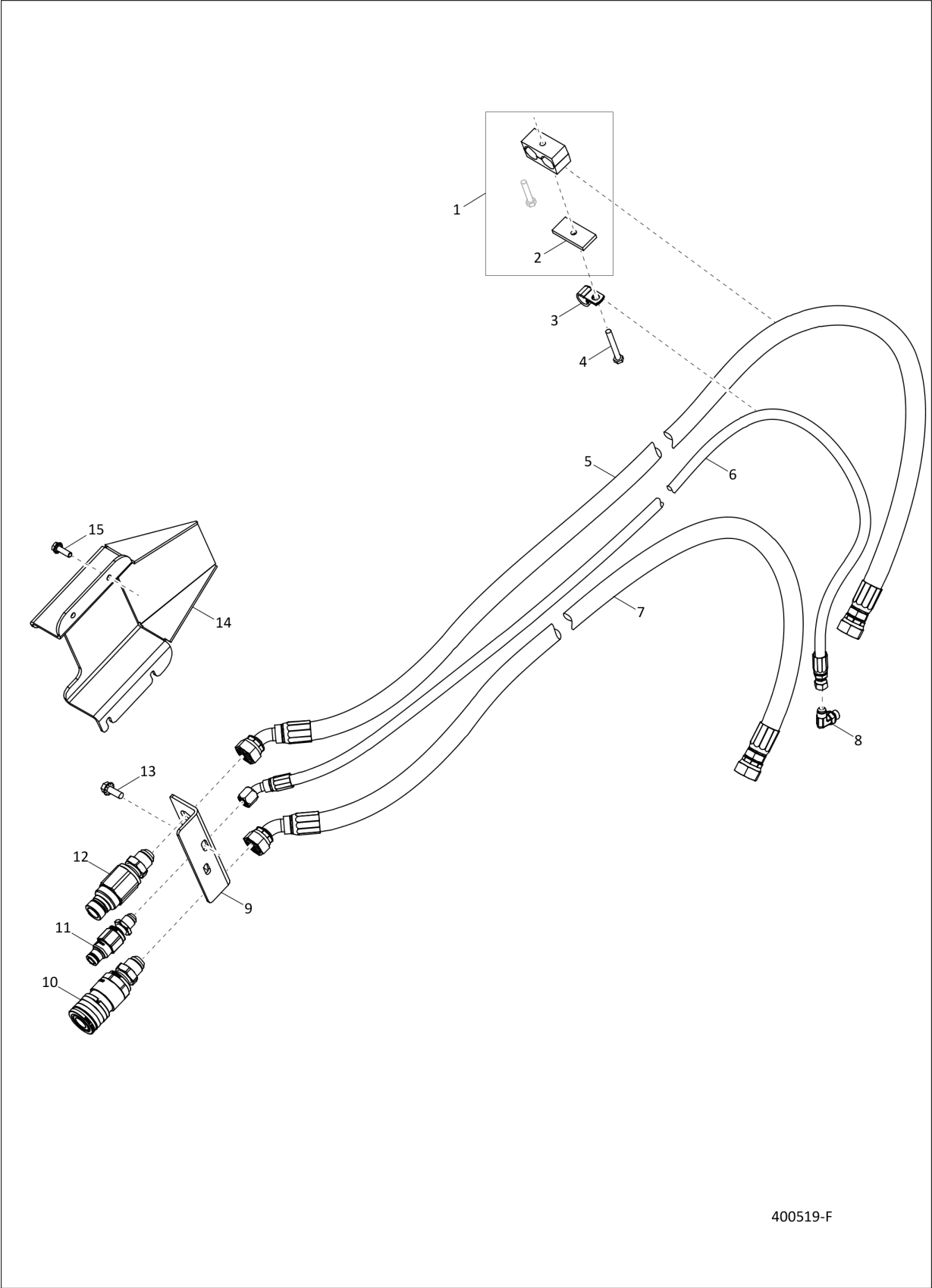
50441834-H-5

HYDRAULICS Lift/Tilt Circuit - High Flow (DOM / ROW)



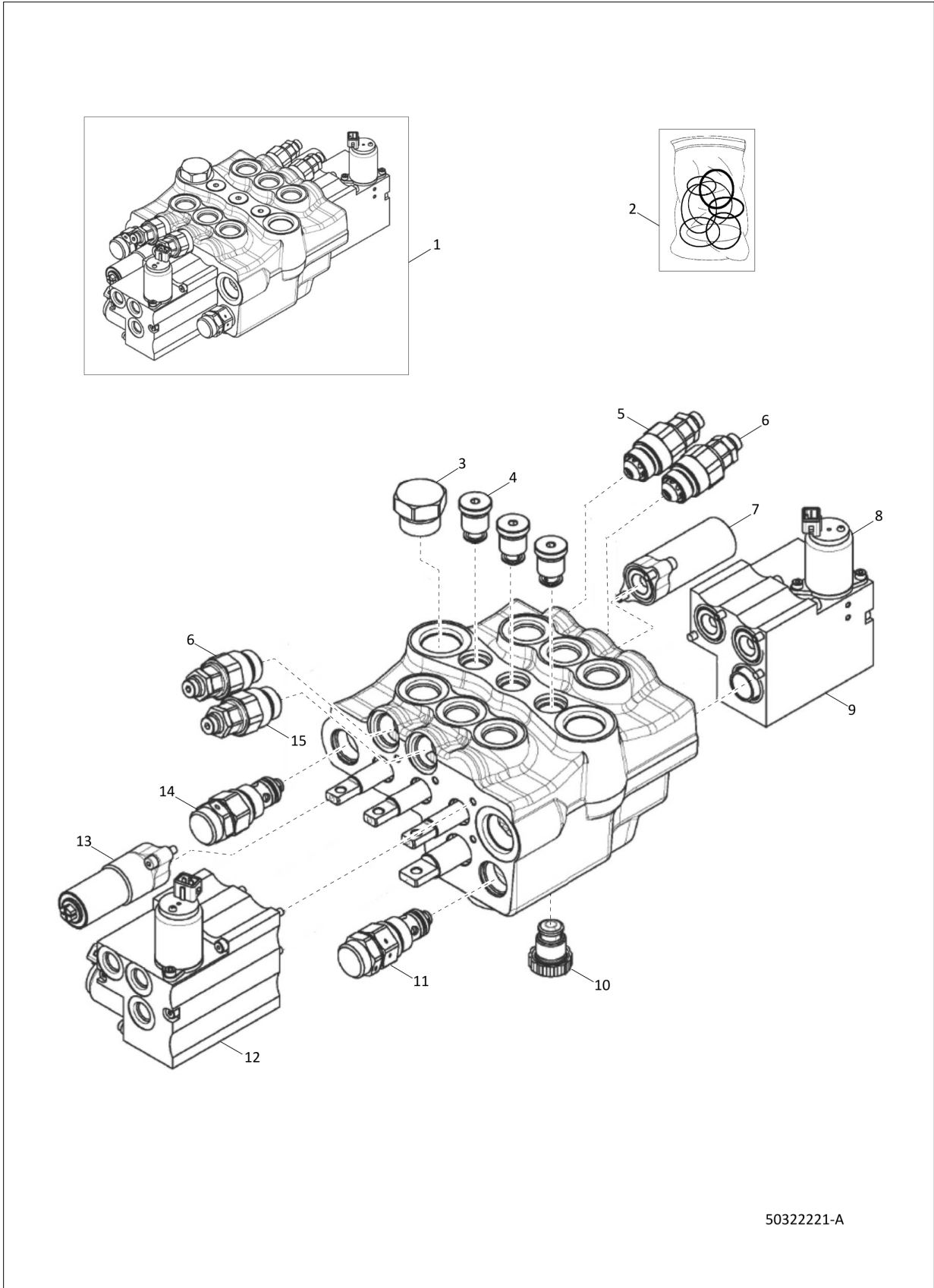
50441683-H-6

Lift Arm Hydraulics Hose Group (High-Flow Option)



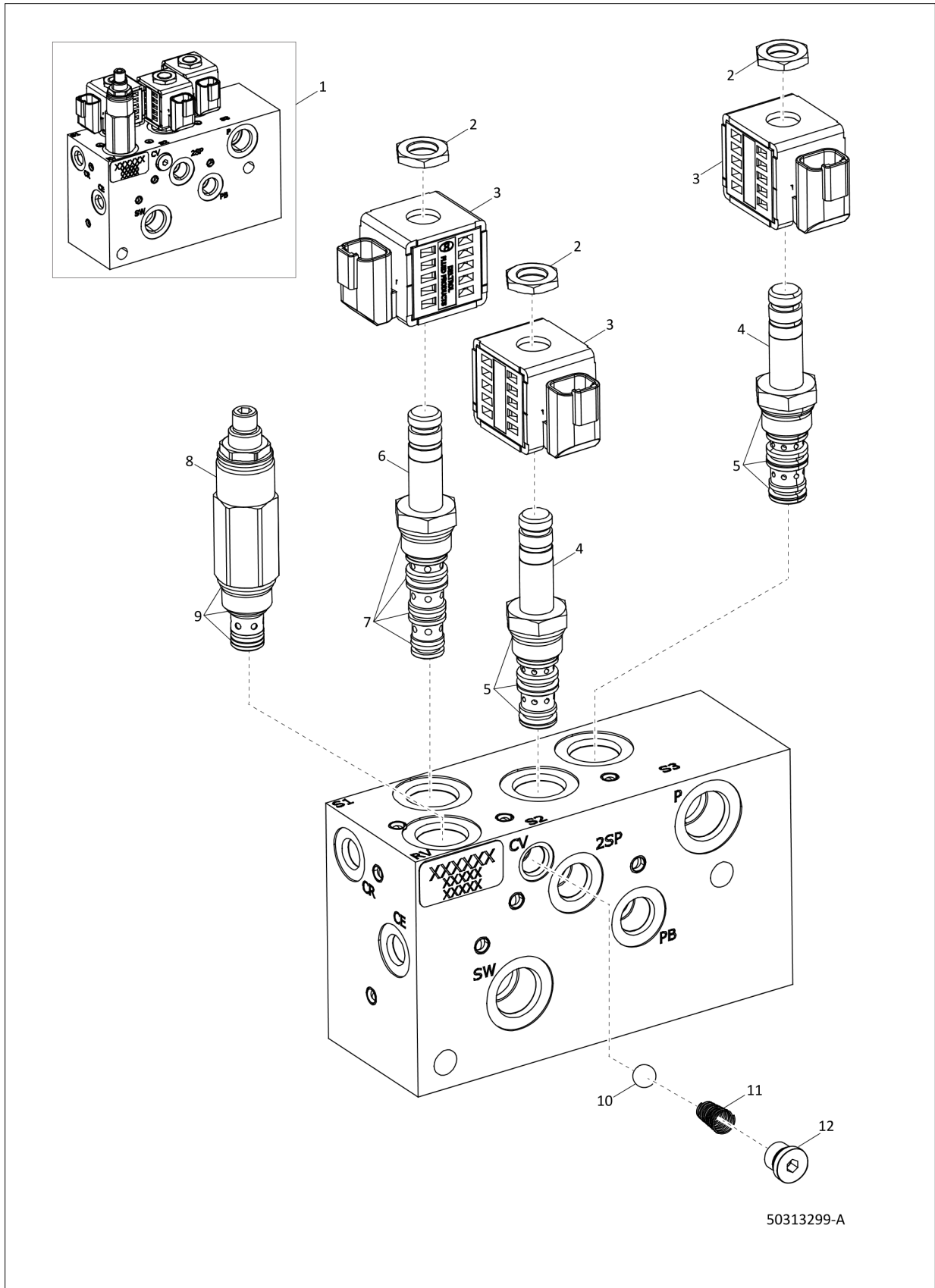
400519-F

Components 4-Spool Pilot Control Valve (PN 50322221)

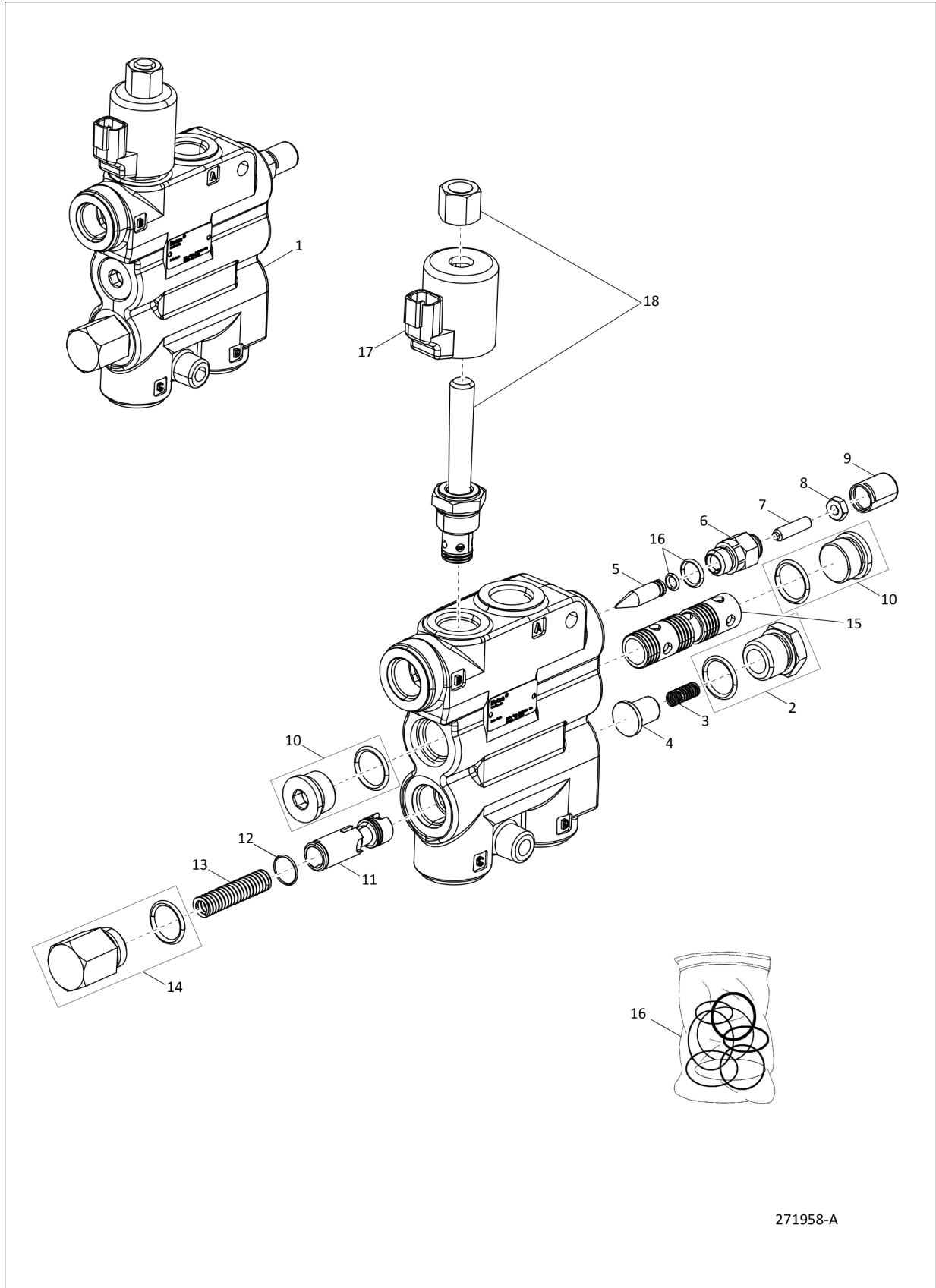


50322221-A

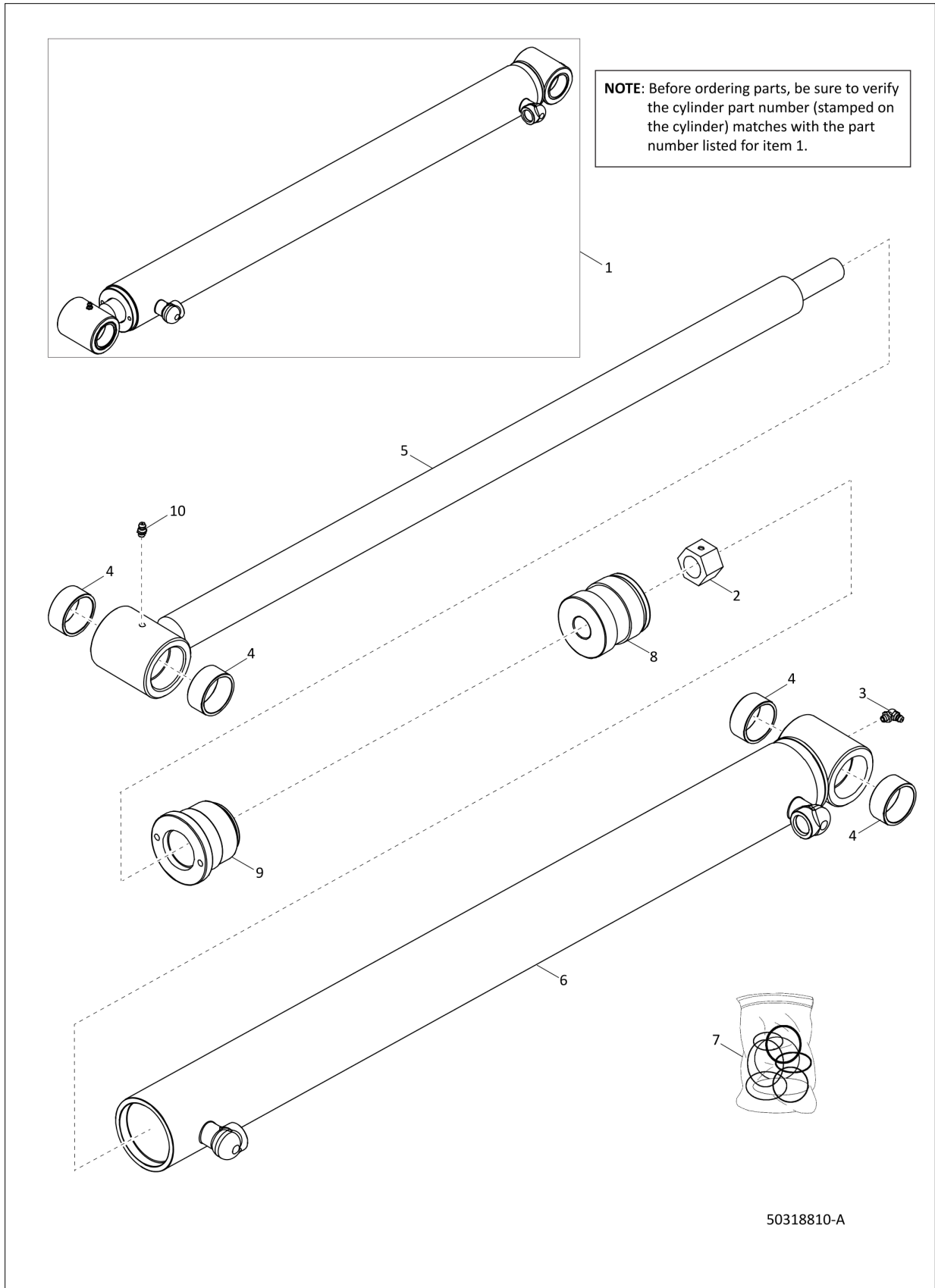
Components Track Tension Manifold



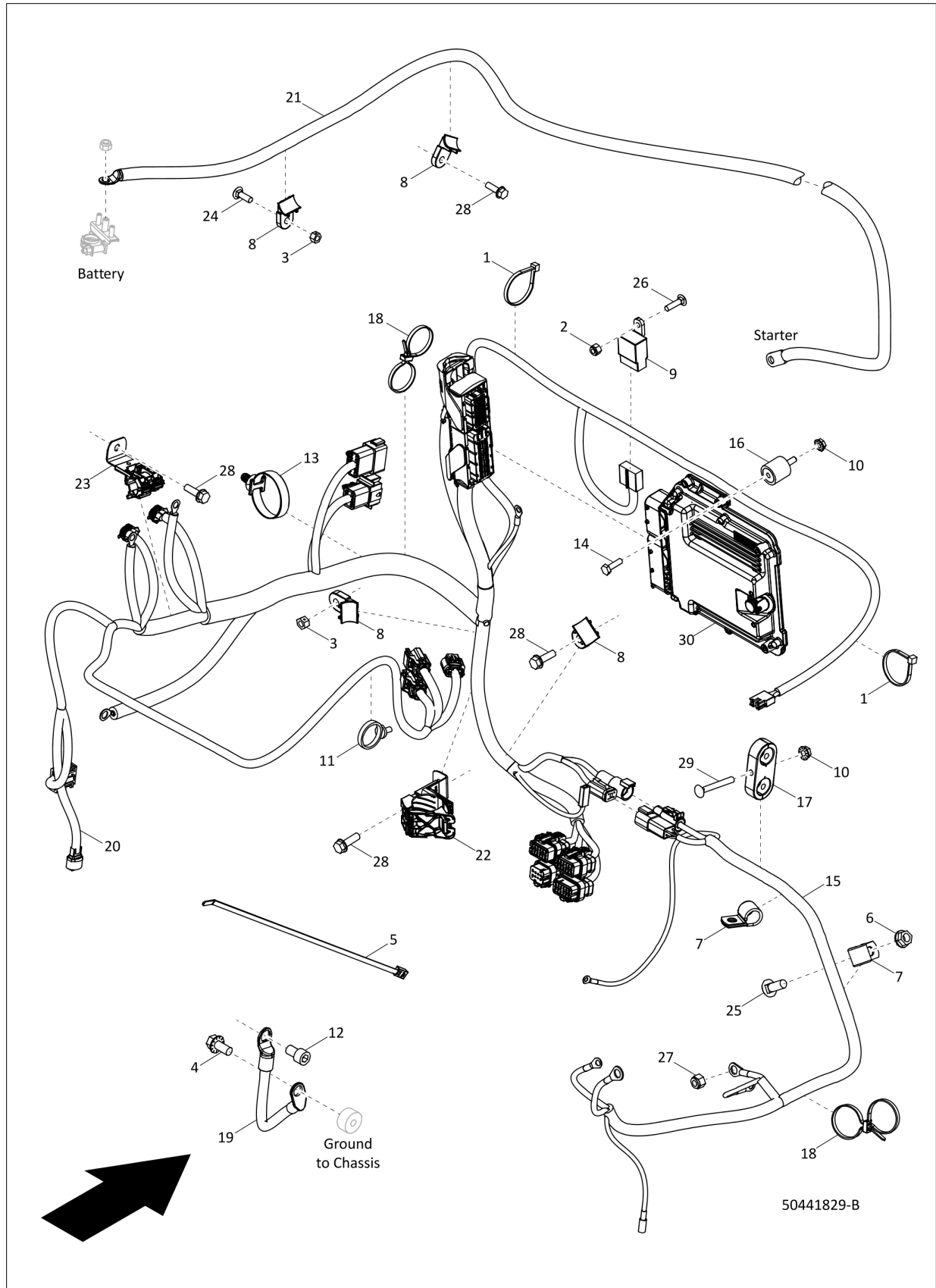
Components Self-Leveling Valve w/ Bypass (PN 271958)



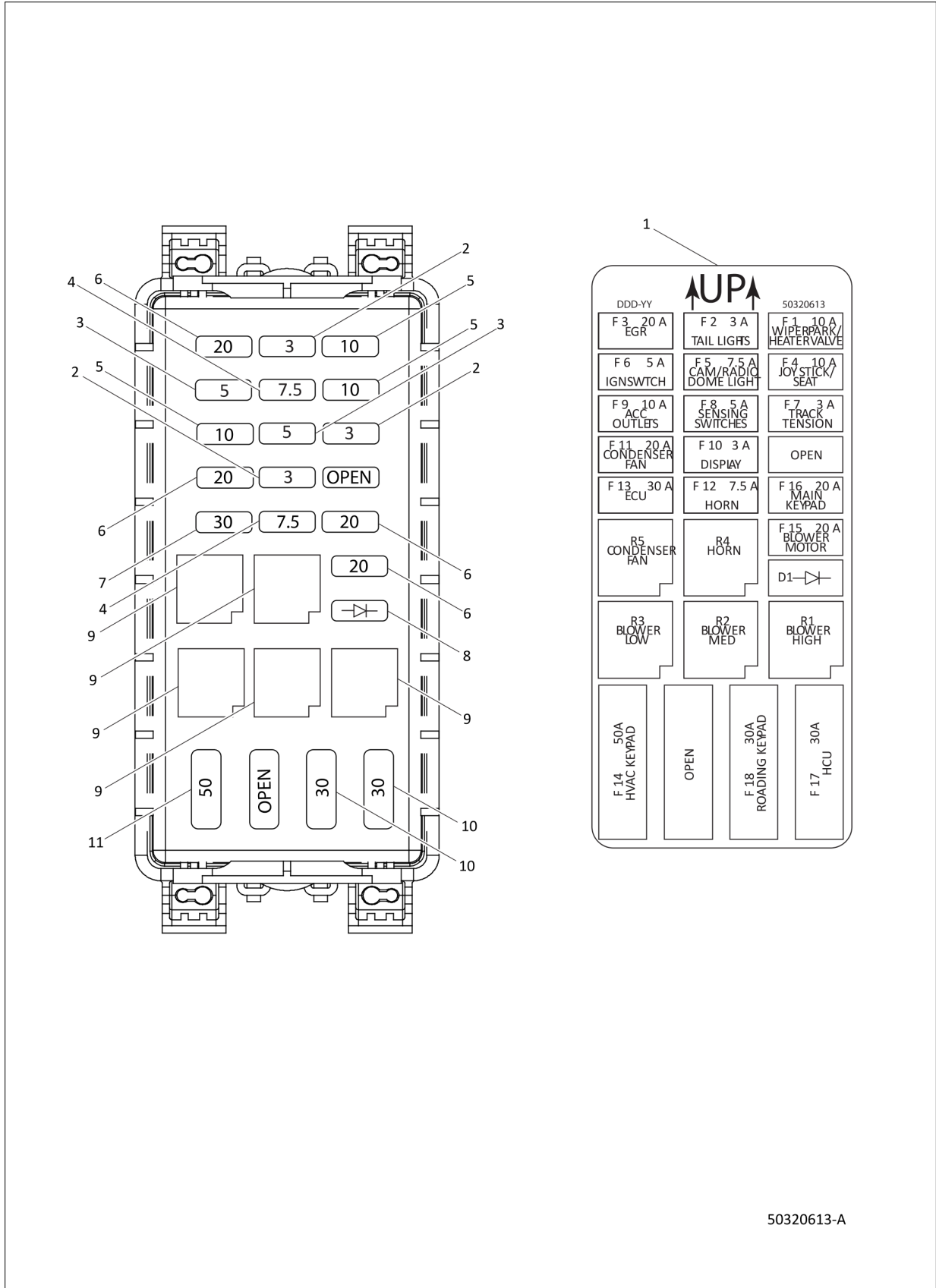
Cylinders Tilt Cylinder



ELECTRICAL Engine Harness (DOM / EU)

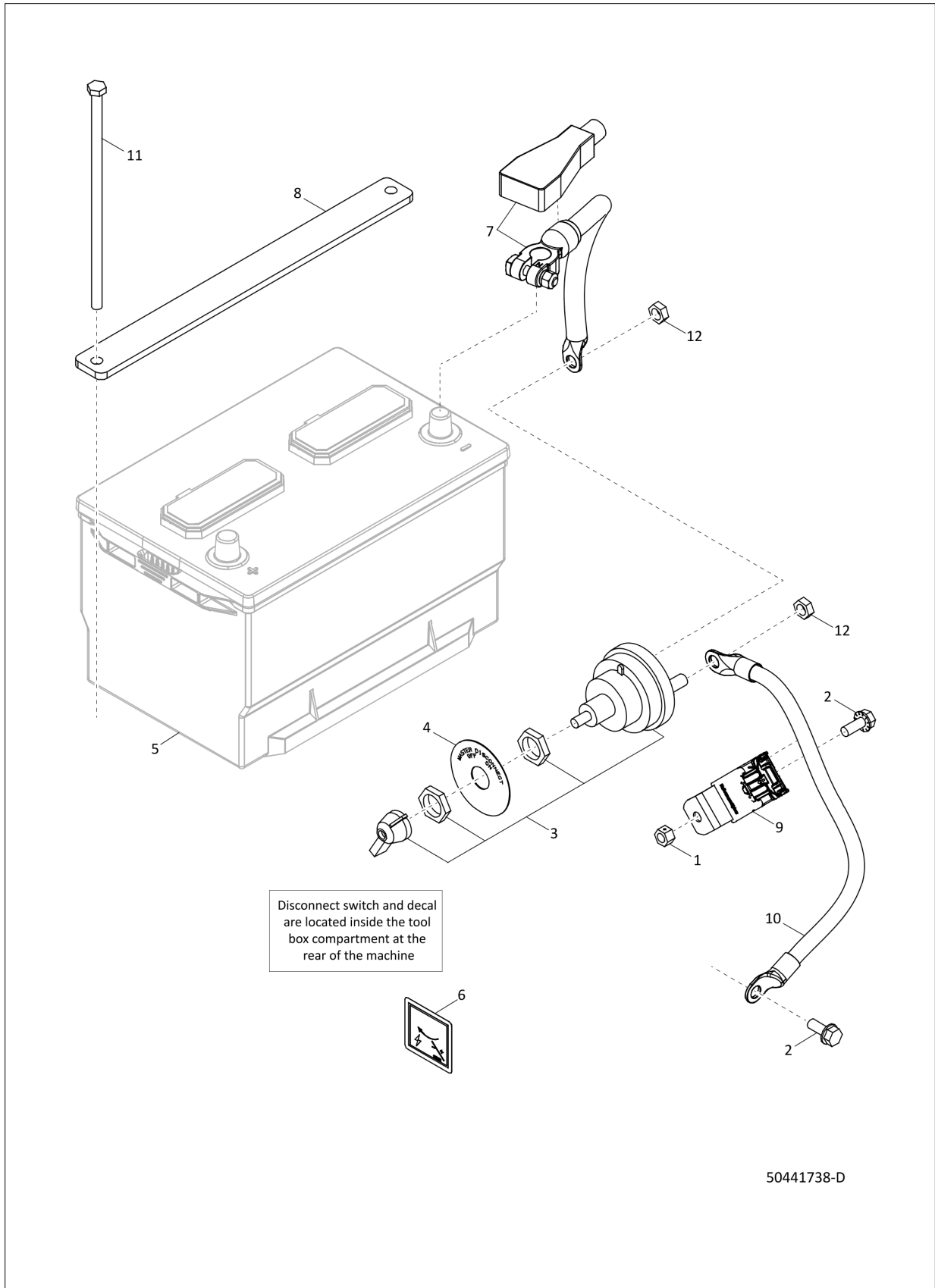


ELECTRICAL Fuses-Chassis Harness

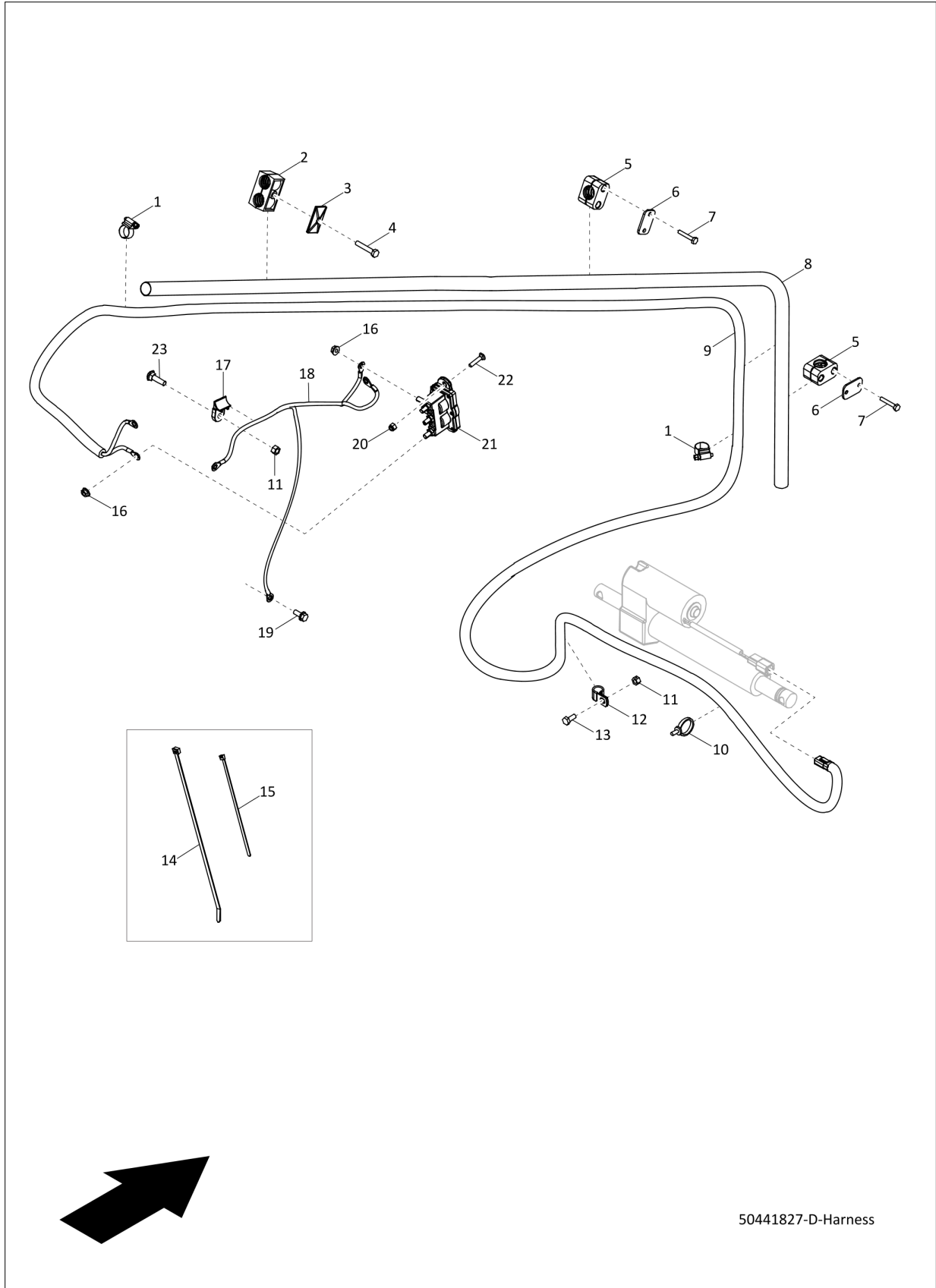


50320613-A

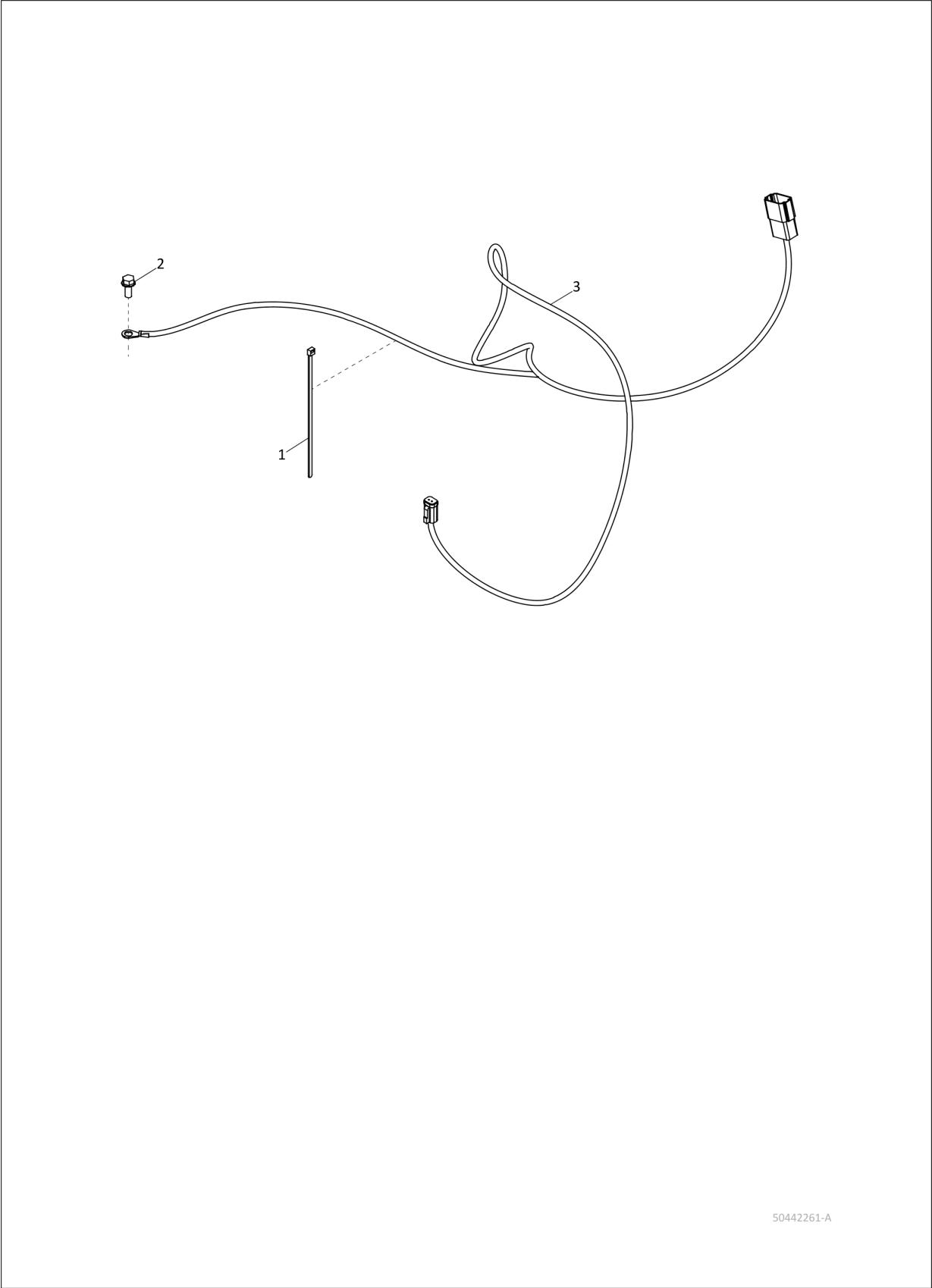
ELECTRICAL Battery Disconnect



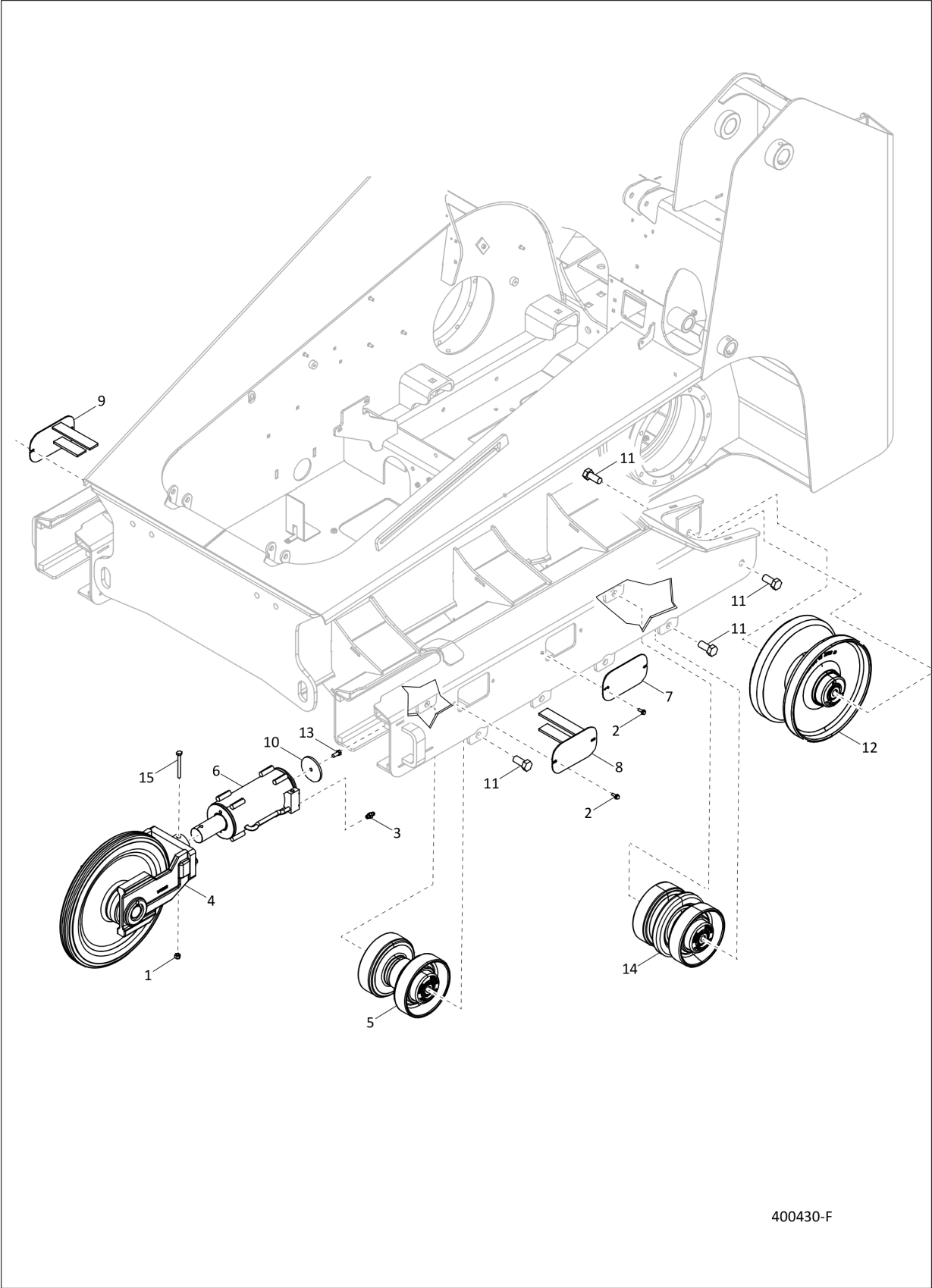
ELECTRICAL Power Attachment Harness



ELECTRICAL Joystick Lock-Out Harness (EU)

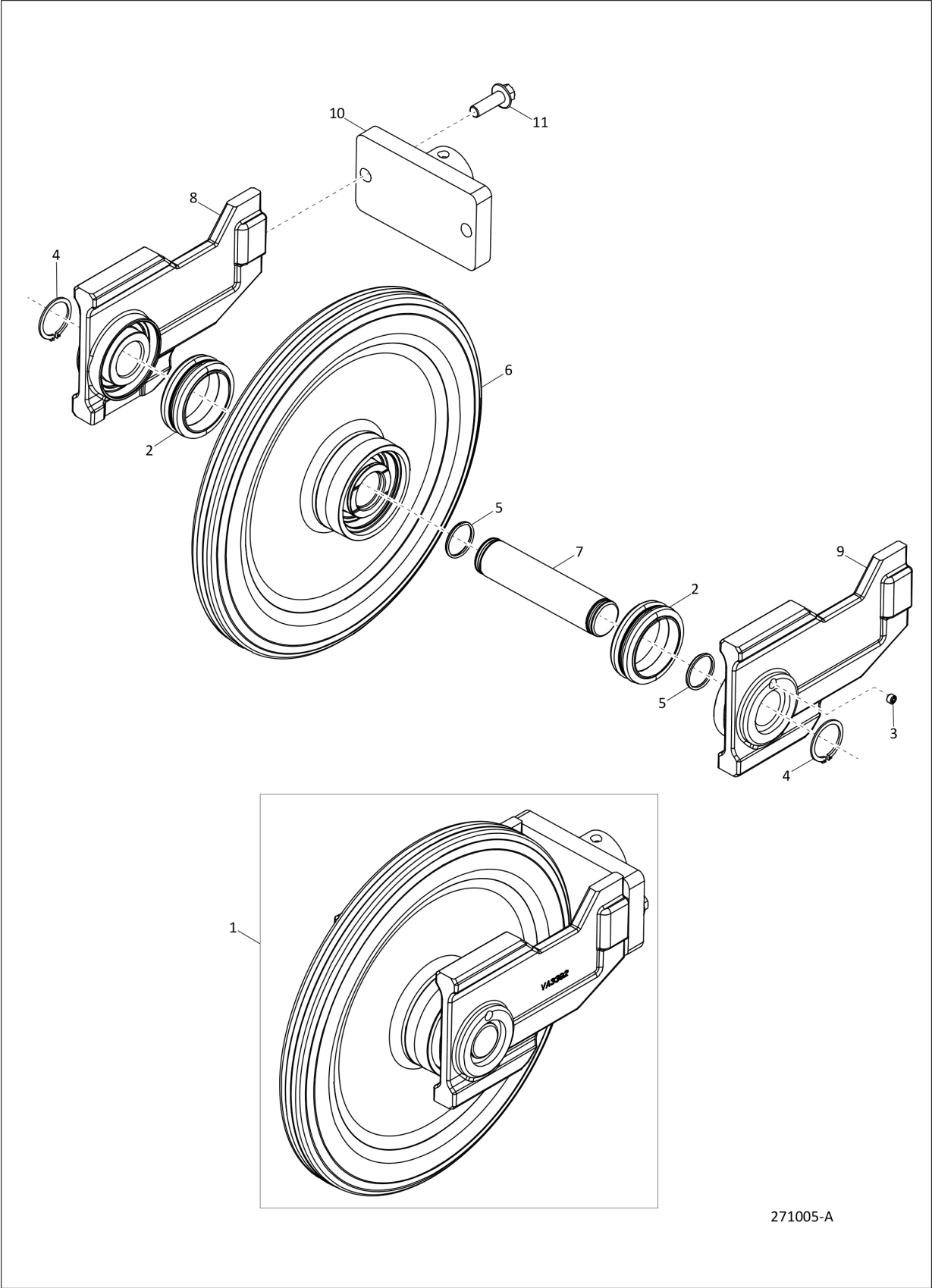


50442261-A



400430-F

DRIVETRAIN Front Idler



271005-A

273071	96, 98, 310	275241	20
273214	96	275249	60
273217	106, 110, 114	275268	160
273228	106, 110, 114	275291	60
273340	36, 40	275325	106, 110, 114
273369	66, 160, 294, 296, 300, 310, 312, 320, 326, 328	275328	100
273382	72, 294	275380	326, 328
273406	36, 40	275538	298
273407	36, 40	275574	346, 352
273408	36, 40	275597	80, 84
273445	182	275598	22
273451	240	275599	22
273459	240	275600	22
273529	160	275601	22
273545	98	275609	80, 84
273567	100, 126	275629	326, 328
273628	242, 242	275635	14
273631	246, 246	275640	64
273689	240	275882	294
273773	300	275914	134, 136
273844	240	275977	246
273860	242	275982	96, 98
273863	240	276026	26, 34, 38, 96, 98
273867	202, 204, 206	276038	126
273885	342	276045	326, 328
273915	338	310-32288	320, 322
274011	280	310-32610	92, 94
274114	246	310-32616	160, 294
274185	146	310-32686	324
274203	18	350-27299	272, 276
274370	186, 188	380-32420	276
274424	36, 40	420-19671	332
274526	134, 136	420-29434	240
274602	346	420-34798	272, 276
274603	338	420-34912	6
274655	104	420-34913	6
274666	218, 220, 262	420-34914	6
274674	240, 288	420-36087	66, 68, 70
274675	240, 292	420-36134	80, 84
274717	106, 110, 114	420-36187	34, 38
274734	62	425-36233	160
274735	148	50220070	306
274788	20, 22	50220071	306
274804	122	50220719	2, 152, 156
274868	60	50220918	266
274870	104	50220964	266
274886	80, 84	50221053	312
275016	18, 100	50221251	350
275135	104	50221252	348, 350
275174	104	50221260	2
275175	104	50221264	294
275176	104	50221287	2
275177	104	50221289	50, 52
275225	88	50250365	2
275226	88	50250370	296
275228	88	50250574	266
275232	20	50250577	266
		50280001	144

CLICK HERE TO **DOWNLOAD** THE COMPLETE MANUAL

- Thank you very much for reading the preview of the manual.
- You can download the complete manual from: www.heydownloads.com by clicking the link below



- Please note: If there is no response to CLICKING the link, please download this PDF first and then click on it.

CLICK HERE TO **DOWNLOAD** THE COMPLETE MANUAL