

**GEHL**

Form No.  
**50960068**  
Revision B  
November  
2014

# RT175

## Compact Track Loader

*Machine Serial Number 811001 and up  
(Equipped with a TIER IV engine)*



# Parts Manual

CLICK HERE TO **DOWNLOAD** THE COMPLETE MANUAL

- Thank you very much for reading the preview of the manual.
- You can download the complete manual from: [www.heydownloads.com](http://www.heydownloads.com) by clicking the link below



- Please note: If there is no response to CLICKING the link, please download this PDF first and then click on it.

CLICK HERE TO **DOWNLOAD** THE COMPLETE MANUAL

**RT175 - CAB**  
**CAB DOOR - SWING-OUT - (OPTION)**  
**(Series III) \***

Item No.	Part No.	Description	Qty.
01		SWING-OUT DOOR ASSEMBLY *	1
	50303856	(Standard) (shown) (Includes items 2 - 21)	
	50303894	(High-impact/Option) (not shown) ** (Includes items 2, 4 - 21)	
02		GLASS, DOOR * (see Figure B)	1
	50303858	Standard (shown)	
	50303895	Polycarbonate - High Impact (option) **	
03	50303859	SEAL, GLASS WINDOW ***	1
04		DOOR FRAME WELDMENT *	1
	50303860	(Standard) (shown)	
	50303896	(High-impact/Option) **	
05	50303857	SEAL, DOOR (0.48 x 149.5 IN.)	1
06	L500099	BULKHEAD, WASHER HOSE	1
07	650426	CS 1/4x1-1/4 C5ZY	1
08	50300014	MOUNT, WIPER ARM	1
09	654002	FW 1/4 AWZY	1
10	070634	LN LG FL SERR 1/4 CZ	1
11	273406	WIPER MOTOR, 65°	1
12	273408	COVER, WIPER MOTOR	1
13	273407	WIPER ARM, 22" PANTOGRAPH	1
14	274424	WIPER BLADE, 26"	1
15	L69488	BALL STUD	1
16	071701	LN 5/16 CBZY	1
17	273340	HANDLE, PUSH BUTTON ****	1
	50280186	KEY, 8001 (14603) (not shown)	1
18	50303453	LATCH ****	1
19	50303454	COVER ****	1
20	420-36187	STRIKER ****	1
21	50303416	STRIKER MOUNT ****	1
22	50303855	PLATE, DOOR FRAME *	1
23	50303854	PLATE, DOOR FRAME (weldment) *	1
24	50303906	BEARING, BRONZE FLANGED *	2
25	651308	PHMS SLT 1/4X3/4 IN ZB	28
26	50303201	GAS CYLINDER, DOOR	1
27	L69488	BALL STUD	1
28	071701	LN 5/16 CBZY	1
29	50303869	DOOR FRAME BRACE	1

Item No.	Part No.	Description	Qty.
30	104121	TUBING CONNECTOR 5/32"	1
31	275640	HOSE, FRONT WIPER .156X108"	1
32	068256	CLAMP, HOSE 0.25 x 0.42 IN.	4
33	071701	LN 5/16 CBZY	4
34	276026	SWITCH, PROXIMITY	1
35	651328	HLN INST #5-40 CZY	4
36	651212	PHMS CR #540x1/2"	4
37	193157	MAGNET, SWITCH ACTUATOR	1
38	651529	FW #4 BRZY	2
39	651214	LW #5 RZY	2
40	50301002	HARNES, DOOR SWITCH JUMP (Used when door is removed-option)	1
41	50300248	SEAL, FOAM TAPE 0.375" x 195.0" (Used to seal the door frame—items #22 and 23—to the cab.)	1

\* Before ordering, refer to the "IMPORTANT" message below.

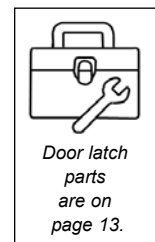
\*\* The optional high-impact window and frame does not use item #3; the polycarbonate window fastens to the high-impact door frame with (14) 650426 1/4"x1-1/4" bolts, (14) 654002 1/4" flat washers, and (14) 070634 1/4" flange lock nuts (fastening hardware not shown).

**NOTE:** the high-impact glass will not fit with the standard glass door frame.

**NOTE:** If converting from the standard glass to the high-impact glass, it will be necessary to also order the high-impact door frame weldment and all the related fastening hardware listed above. If interested in ordering a cab door kit, please consult the factory parts department.

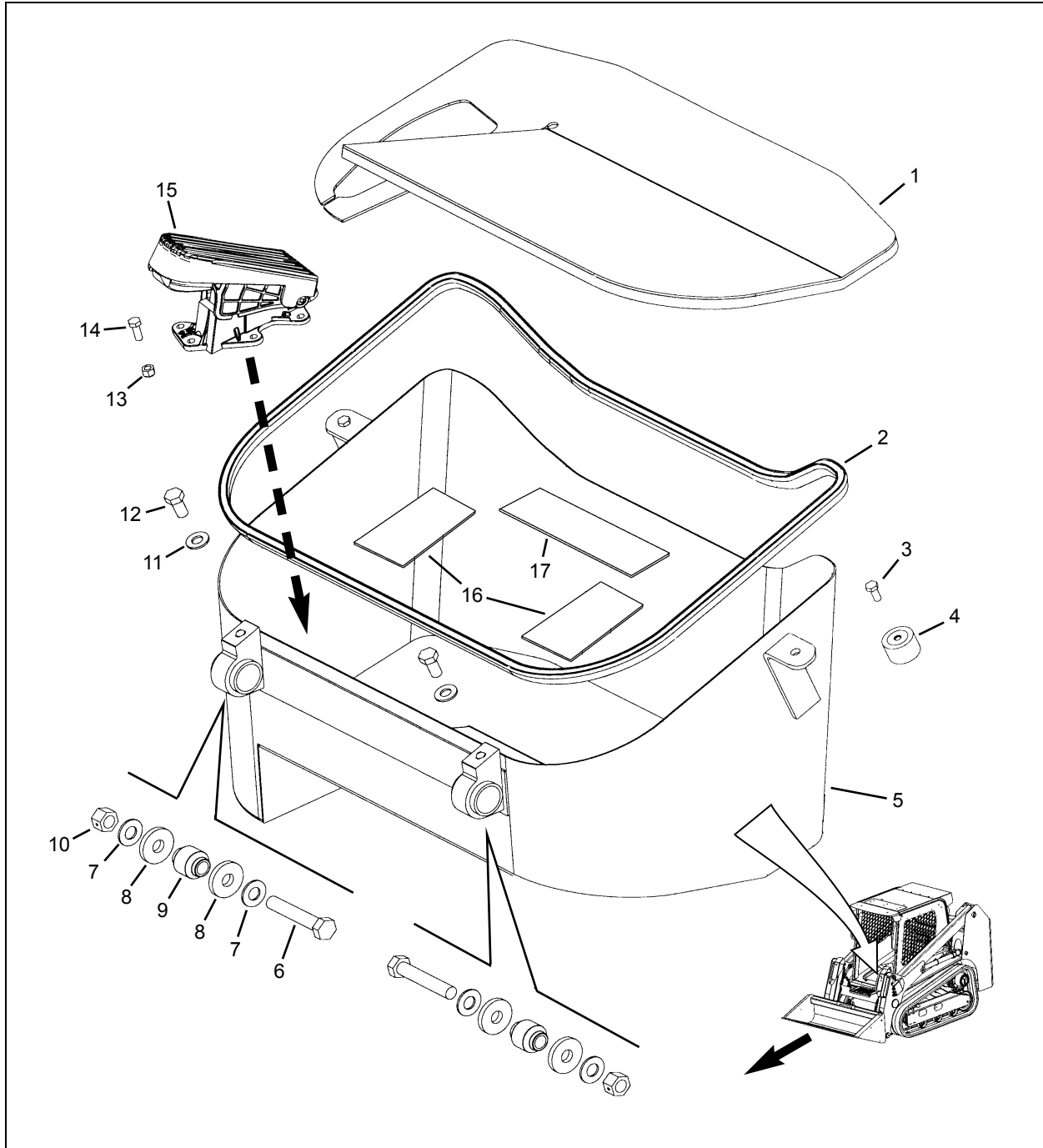
\*\*\* Used only with standard glass; not used with high-impact window option.

\*\*\*\* Fastening hardware and additional components are shown on page 13.



**IMPORTANT:** Before ordering the complete swing-out door assembly (item #1), the window (item #2), the door frame (item #4) or other parts marked with a single asterisks (\*) be sure to refer to the illustrations on page 12 to verify which Series and type of door is installed on the machine.

# RT175 - CAB FLOOR PAN / FOOT THROTTLE

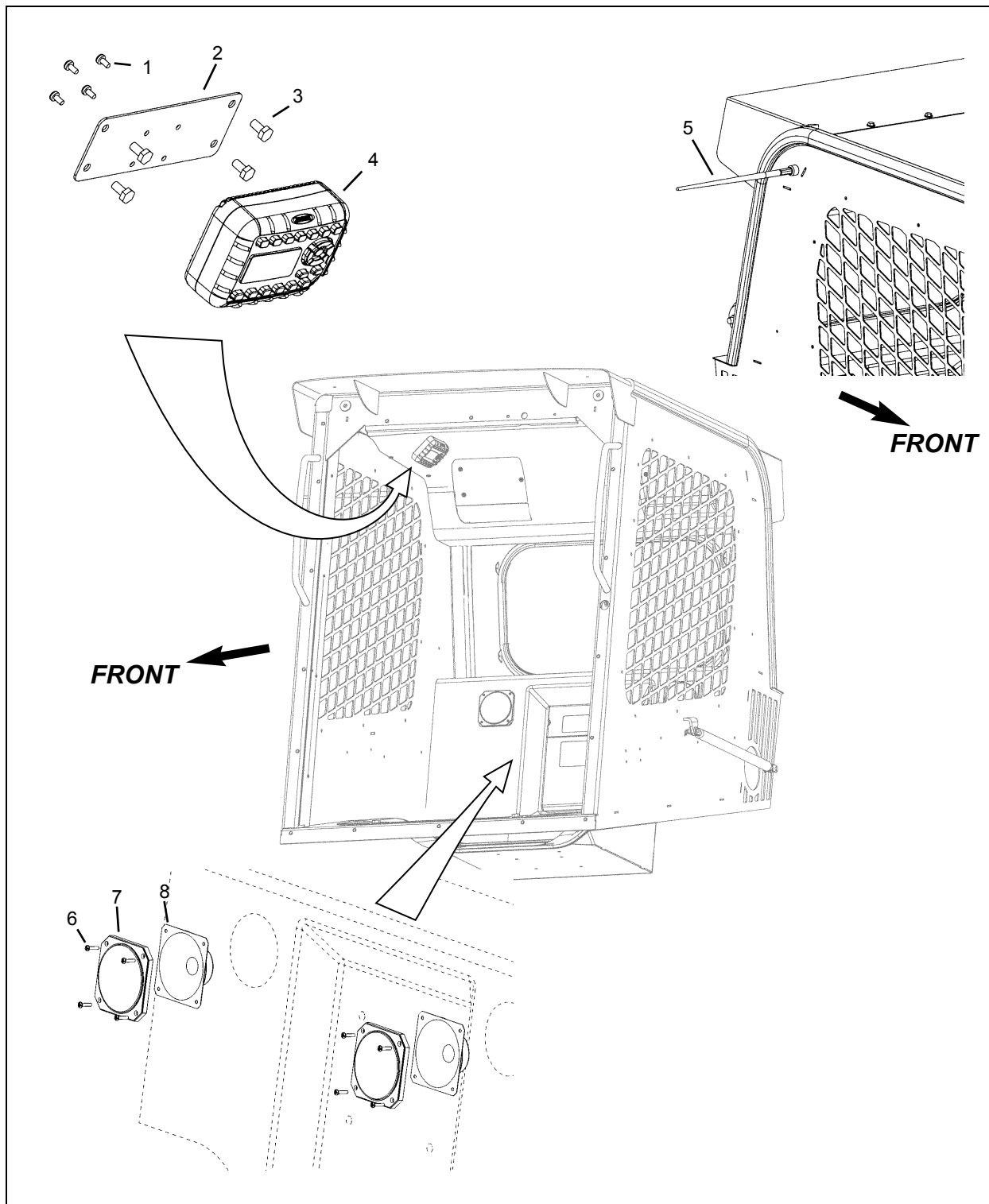


Item No.	Part No.	Description	Qty.
01	275386	FLOOR MAT *	1
02	275328	BULBSEAL 0.086 x 86.0 IN.	1
03	650486	CS 5/16 x 3/4 C5ZY	2
04	275016	ISOLATOR, 1" x 1.5"	2
05	50300047	POD, FOOT	1
06	650695	CS 5/8" x 3-1/2" C5ZY	2
07	651150	FW 5/8" ANZY	4
08	271637	FW 41/64 PLASTIC	4
09	271632	ISOLATOR	2
10	071709	LN CTR 5/8 CBZY	2

Item No.	Part No.	Description	Qty.
11	651148	FW 1/2" ANZY	2
12	650494	CS 1/2" x 1" C5ZY	2
13	064260	HLN INST 5/16 CZY	5
14	650809	CS 5/16 x 7/8 C5ZY	5
15	271425	THROTTLE, FOOT	1
16	50300465	NON-SLIP TAPE 4x9 IN.	2
17	50300467	NON-SLIP TAPE 4x18 IN.	1

\* Up to three floor mats can be stacked to adjust the floor height for the operator.

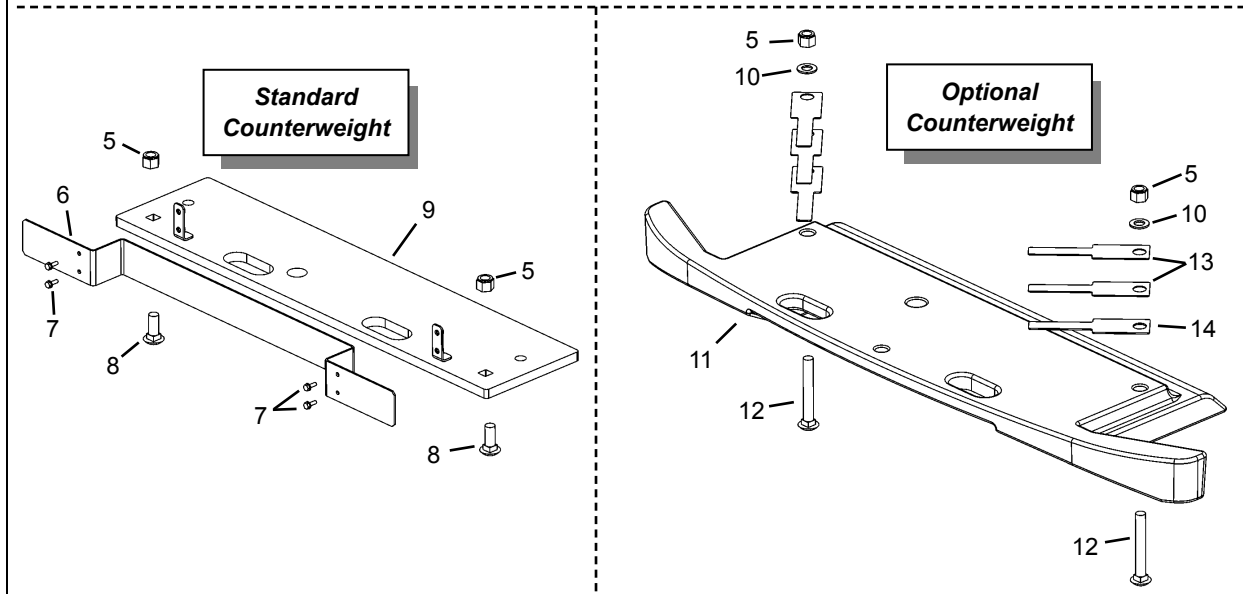
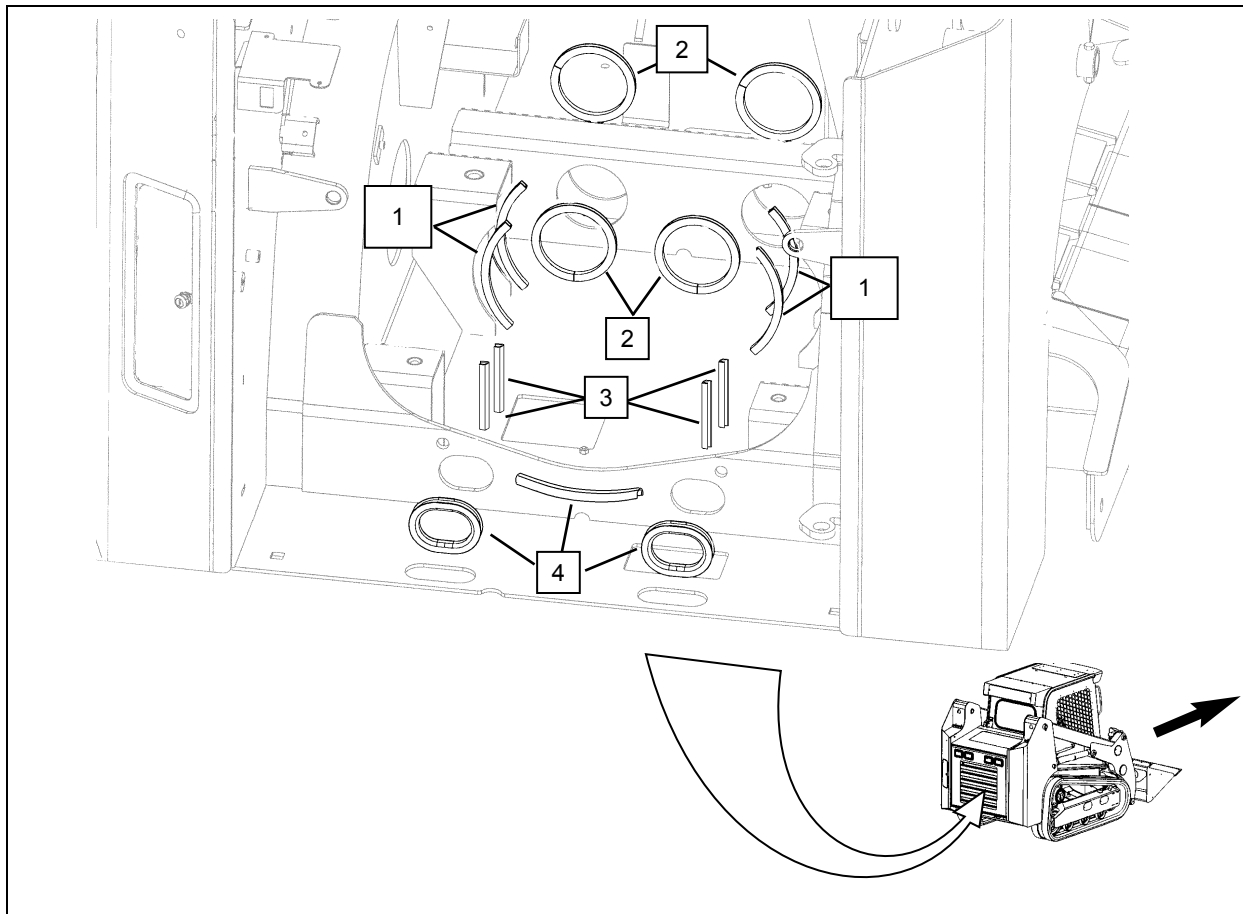
**RT175 - CAB  
RADIO - (OPTION)**



Item No.	Part No.	Description	Qty.
01	651784	PHMS CR M4-0.70 x 8 C4.8 ZY	4
02	271371	PLATE, RADIO	1
03	650542	CS 1/4" x 1/2" C5ZY	4
04	192454	RADIO, AM/FM/WB	1

Item No.	Part No.	Description	Qty.
05	184507	ANTENNA, RADIO	1
06	651778	PHMS CR #8-32 x 3/4" CBO	8
07	272029	SPEAKER GRILLE	2
08	184505	SPEAKER, RADIO - 4"	2

# RT175 - CHASSIS COUNTERWEIGHTS / CENTER FRAME

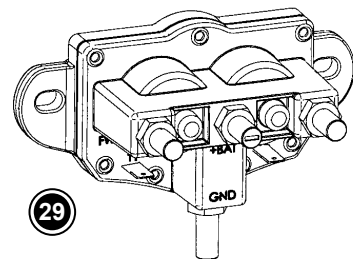
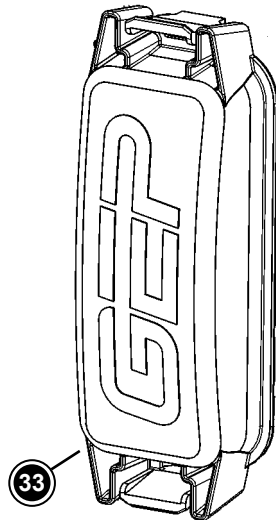
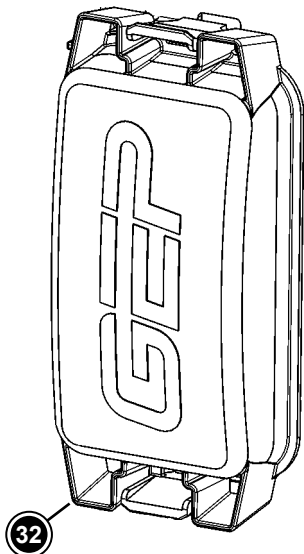


Item No.	Part No.	Description	Qty.
01	50300235	EDGE TRIM 0.25-0.50 x 7.75"	4
02	50300234	EDGE TRIM, 0.25-0.50 x 14.4"	4
03	50300380	TRIM EDGE 0.25-0.50 x 6"	4
04	50300092	EDGE TRIM, 0.25-.050 x 9.50"	3
05	079209	HLN 3/4" CZY	AR
06	274589	COVER	1
07	072916	CS FL LOCK 1/4" x 3/4" C5ZY	4

Item No.	Part No.	Description	Qty.
08	50657007	CB 3/4" x 2" C5ZY	2
09	274672	COUNTERWEIGHT ( <i>standard</i> )	1
10	651564	FW 3/4" HT ZY	AR
11	50300819	COUNTERWEIGHT ( <i>option</i> )	1
12	651808	CB SN 3/4" x 5-1/2" C5ZY	2
13	50300687	SHIM (0.0598")	AR
14	50300686	SHIM (0.1046")	AR

# RT175 - ELECTRICAL FUSE BOXES / FUSES / RELAYS

Item No.	Part No.	Description	Fuse Relay	Function	(Qty. 1 each)
01	184631	MINI FUSE (10 AMP)	F1	CONTROL #2	
02	103099	MINI FUSE (15 AMP)	F2	CONTROL #3	
03	104769	MINI FUSE (20 AMP)	F3	CONTROL #1	
04	184631	MINI FUSE (10 AMP)	F4	POWER-A-TACH™	
05	184627	MINI FUSE (30 AMP)	F5	HVAC FAN	
06	184631	MINI FUSE (10 AMP)	F6	DISPLAY	
07	184631	MINI FUSE (10 AMP)	F7	IGNITION	
08	104769	MINI FUSE (20 AMP)	F8	HVAC FAN	
09	104769	MINI FUSE (20 AMP)	F9	WORK LIGHTS	
10	184631	MINI FUSE (10 AMP)	F10	AUXILIARY POWER	
11	104769	MINI FUSE (20 AMP)	F11	WIPERS	
12	103099	MINI FUSE (15 AMP)	F12	TRACK TENSION/SELF-LEVEL	
13	184631	MINI FUSE (10 AMP)	F13	HORN	
14	184631	MINI FUSE (10 AMP)	F14	DOOR/AUXILIARY	
15	104769	MINI FUSE (20 AMP)	F15	ECU	
16	104769	MINI FUSE (20 AMP)	F16	EGR	
17	50220070	RESISTOR (121 ohm)	F17	OIL PRESSURE SWITCH - ECU	<b>(WARNING NOT A FUSE)</b>
18	50353620	RELAY, MICRO (20A)	R9	CONTROL #2	
19	50353620	RELAY, MICRO (20A)	R5	HVAC	
20	50353620	RELAY, MICRO (20A)	R8	WORK LIGHTS	
21	272723	RELAY, MICRO (35/20A)	R11	PARK BRAKE	
22	50353620	RELAY, MICRO (20A)	R4	HORN	
23	50353620	RELAY, MICRO (20A)	R7	A/C CONDENSER	
24	50353620	RELAY, MICRO (20A)	R10	WIPERS	
25	195075	RELAY, (70A)	R1	MAIN POWER	
26	242381	MAXI FUSE (80 AMP)	F1-MAXI	MAIN POWER	
27	L500225	MAXI FUSE (60 AMP)	F2-MAXI	STARTER SOLENOID	
28	195075	RELAY, (70A)	R2	STARTER	
29	275380	RELAY, DPDT (30 AMP)	- -	POWER-A-TACH™	<i>(located on engine-side of firewall)</i>
30	50303151	DECAL, RELAY AND FUSE BLOCK (main)			
31	50303150	DECAL, RELAY AND FUSE BLOCK (secondary)			
32	50288219	COVER, MAIN FUSE/RELAY BOX			
33	50288220	COVER, RELAY/MAXI FUSE BOX			



**Power-A-Tach™ RELAY**  
*(located on engine-side of firewall)*

# RT175 - ENGINE FUEL CIRCUIT

Item No.	Part No.	Description	Qty.
01	50303074	HOSE, FUEL -05 x 20.0 IN.	1
02	062023	CLAMP, HOSE SAE #05	AR
03	50303076	HOSE, FUEL -05 x 73.0 IN. (return)	1
04	50303079	HOSE, FUEL -06 x 11.0 IN.	1
05	50303075	HOSE, FUEL -5 x 11.0 IN.	1
06	50300045	HOSE, FUEL 0.31 x 78.0 IN. (supply)	1
07	072601	HOSE, FUEL -5 x 38.0 IN.	1
09	071703	LN 3/8 CBZY	4
10	194166	CLAMP, HOSE 0.62 x 0.47 IN. DBL.	2
11	650491	CS 3/8 x 1-1/4" C5ZY	1
12	650490	CS 3/8 x 1 C5ZY	1
13	070634	LN LG FL SERR 1/4 CZ	2
14	186308	PUMP, FUEL 12 VDC (fuel transfer)	1

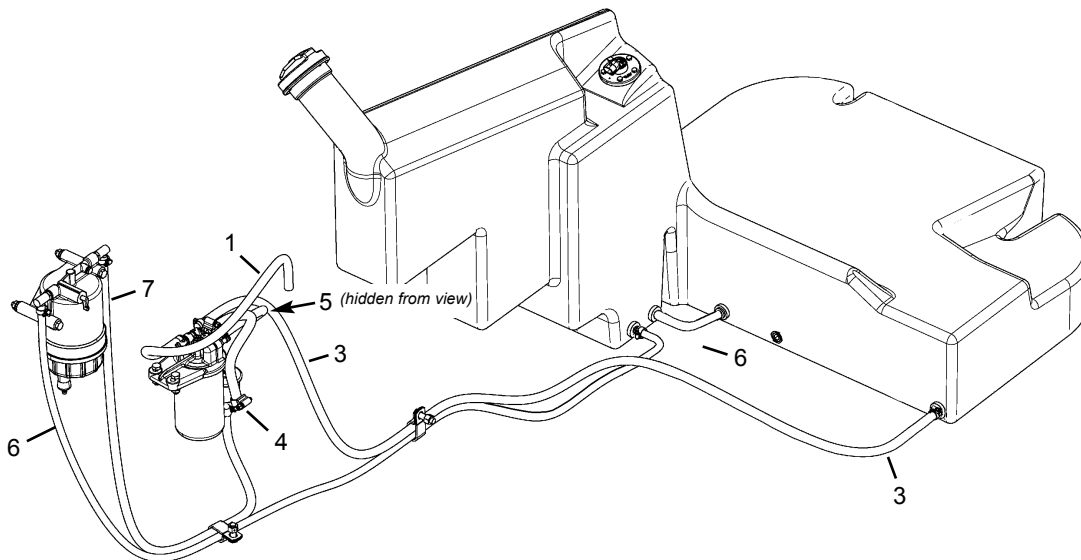
Item No.	Part No.	Description	Qty.
15	50250359	FUEL FILTER ASSEMBLY *	1
	50352551	FUEL FILTER ONLY	1
16	50351686	FUEL/WATER SEPARATOR ASY.	1
	50352550	WATER SEP./FUEL FILTER ONLY	1
	50250362	O-RING	1
17	NSS	FUEL LINE ADAPTER, 90° (included with item #16)	2
18	131842	HN FL SLOC 5/16 C	4
19	650732	CS 5/16" x 3-3/4" C5ZY	2
20	650545	CS 5/16" x 1-1/4" C5ZY	2
21	50303242	FOAM/FUEL TANK	1

\* Includes filter mounting head and spin-on fuel filter.



**NOTE:** Refer to the Engine Parts Manual (Form 50940194) for a detailed listing of engine parts.

**Fuel Line Circuit**  
(Also shown on facing page)



CLICK HERE TO **DOWNLOAD** THE COMPLETE MANUAL

- Thank you very much for reading the preview of the manual.
- You can download the complete manual from: [www.heydownloads.com](http://www.heydownloads.com) by clicking the link below



- Please note: If there is no response to CLICKING the link, please download this PDF first and then click on it.

CLICK HERE TO **DOWNLOAD** THE COMPLETE MANUAL

# RT175 - TRACKS TRACK ASSEMBLY

Item No.	Part No.	Description	Qty.
<b>NOTE:</b> Quantities shown are for both sides of the machine.			
01	275037	TRACK 320 x 86 x 54	2
02	271556	PLATE, SERVICE COVER	2
03	072916	CS FL LOCK 1/4 x 3/4 C5ZY	8
04	272643	TENSION CYLINDER STOP (right)	1
05	271005	FRONT IDLER ASSEMBLY	2
06	651614	CS 3/8" x 3-1/2" C8ZY	2
07	271414	CYLINDER, TRACK TENSION	2
08	272913	STOP, HYDRAULIC CYLINDER	2
09	50300027	CS 3/8" x 7/8" C5Z SP	2
10	270322	SPROCKET, DRIVE *	2
11	See Note	MOTOR, DRIVE 1049cc W/FLANGE (does not include sprocket)	1
12	230-32195	ST MJ04 MORB04	4
13	067847	HLN INST 3/8" CZY	2

Item No.	Part No.	Description	Qty.
14	272641	TENSION CYLINDER STOP (left)	1
15	271020	WHEEL, BOGIE - DUAL FLANGE	6
16	274602	CS M20-2.5 x 45 C10.9 PSP DIN931	20
17	275574	IDLER, DUAL FLANGE (rear)	2
18	274389	HOSE, MP 4 x 31.0 IN.	1
19	274389	HOSE, MP 4 x 31.0 IN.	1
20	274386	HOSE, MP 4 x 53.0 IN.	1
21	274386	HOSE, MP 4 x 53.0 IN.	1

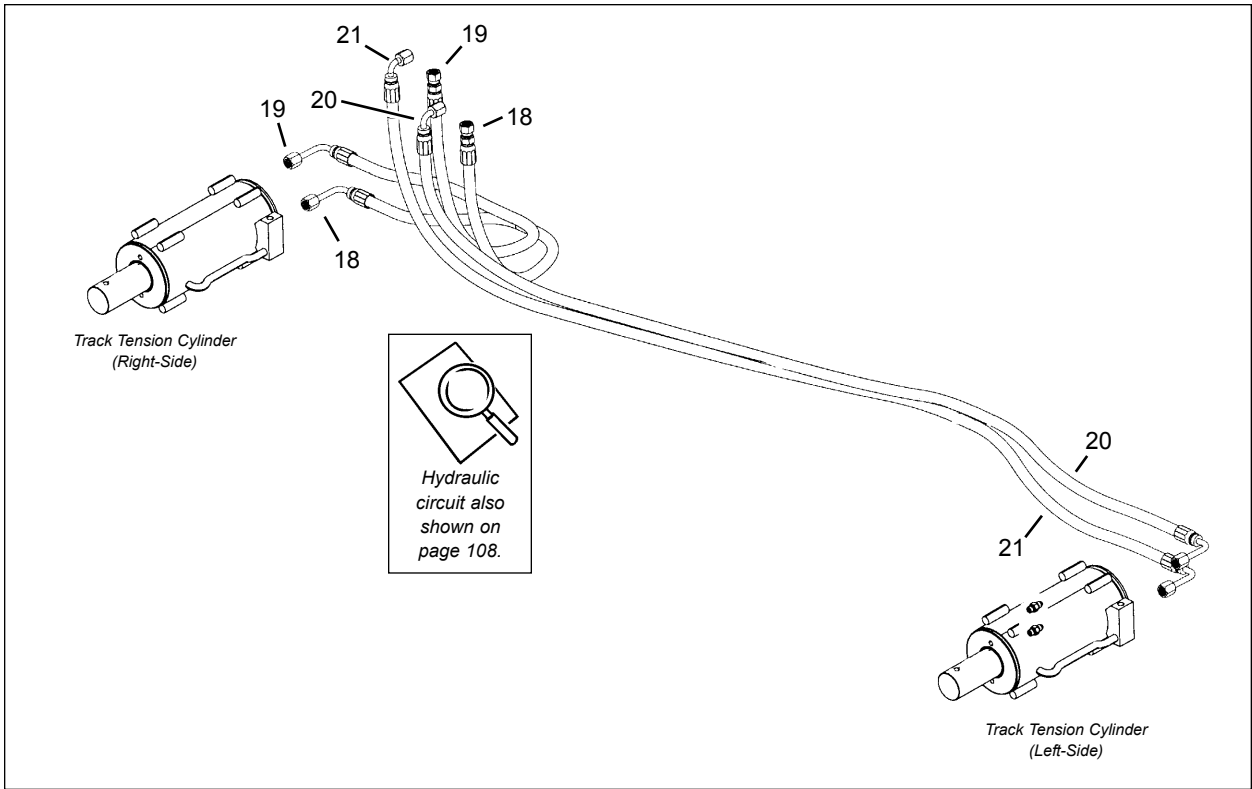
**NOTE:** Refer to page 73 for the drive motor part number.



**IMPORTANT:** Early- and late-style drive motors are not compatible with each other. If ordering only one drive motor, be sure that it is the same as the one currently on the machine.

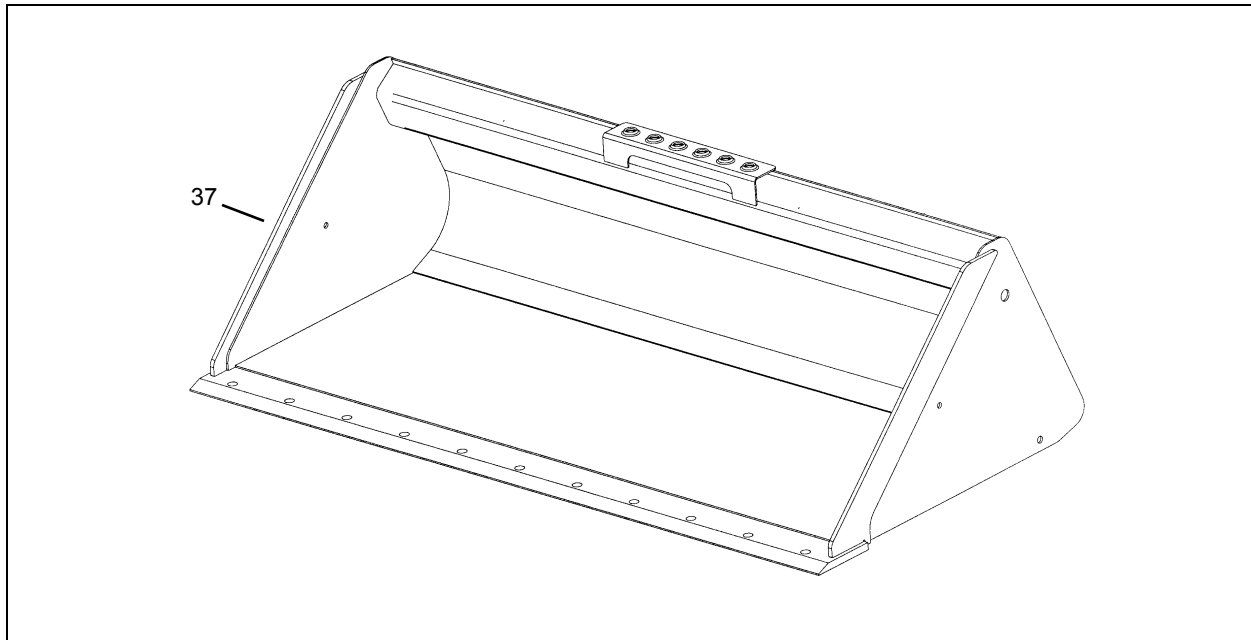


**NOTE:** The following four pages contain detailed component information for the bogie wheels, front and rear idlers, and the track drive motors and sprockets.



# RT175 - LOADER ARM ATTACHMENT BRACKET - MANUAL (STANDARD) / BUCKET

Item				Item			
No.	Part No.	Description	Qty.	No.	Part No.	Description	Qty.
01	274521	WELDMENT, QUICK ATTACH	1	19	137167	LINK, ADJUSTABLE END	2
02	650731	CS 3/8 x 3-1/2 C5ZY	2	20	137158	LINK, SPRING STOP	2
03	271366	PIN ( <i>attaches tilt cylinder</i> )	2	21	137385	SPRING PIN	2
04	067847	HLN INST 3/8 CZY	2	22	H8049	SPRING	2
05	653054	HJN HVY 3/4 C5ZY	2	23	137164	LINK, SPRING SLIDE	2
06	650649	CS 3/4 x 2 C5ZY	2	24	655006	COTTER PIN 1/8"x1" Z	2
07	50280004	CS 1/2 x 1-1/4 C5ZY SP	2	25	50350090	PIN, CLEVIS 7/16"x1-5/8" ZY	2
08	274526	WASHER 35/64	2	26	137386	PIN	2
09	081380	CS FL LOCK 5/16 x 3/4 C5ZY	6	27	137170	LATCH PIN	2
10	50302150	PIN ( <i>attaches to loader arm</i> )	2	28	137168	PIN LINK	2
11	654009	FW 1/2 AWZY	2	29	137169	LATCH LINK	2
12	50280006	CS 1/2 x 2-1/2 C5ZY SP	2	30	50302097	SCREW/SHOULDER 3/8"X1-3/4" 8	2
13	570002	FITTING, GREASE 1/8 PTF	2	31	210-31017	LN FL CTR 5/16 CFZY	2
14	138752	HANDLE PIVOT	1	32	270064	QUICK ATTACH PIN ASSEMBLY ( <i>includes items 24-31</i> )	2
15	270675	HANDLE	1	33	275914	SHIM	4
16	137379	PIN LINK	1	34	570014	GREASE ZERK 1/4 ST	2
17	50280005	CS 3/8 x 3-1/2 C8ZY SP	1	35	50302153	BUSHING, STEPPED 3/4 x 1	2
18	088912	FW 13/32 ZY	1	36	50302369	KIT, ATTACHMENT PIN ( <i>includes 10, 11, 34, and 35</i> ) ( <i>one pin for each side</i> )	AR



Item			
No.	Part No.	Description	Qty.
37	272672	BUCKET, 66 D/C 14.3 CU. YD.	1
	192132	CUTTING EDGE, BOLT ON 66 IN.	1
	653026	HN 3/4 C2ZY	11
	651351	PLOW BOLT 3/4 x 2-1/2 C8	11

## RT175 - LOADER ARM HYDRAULICS AUXILIARY HYDRAULICS CIRCUIT - (STANDARD)

Item				Item			
No.	Part No.	Description	Qty.	No.	Part No.	Description	Qty.
01	273628	HOSE, MP10 x 104.0 IN.	1	12	50352909	COUPLER, MALE ( <i>flat face</i> )	1
02	273628	HOSE, MP10 x 104.0 IN.	1	13	50352912	COUPLER, RETURN ( <i>flat face</i> )	1
03	273860	HOSE, MP6 x 103.0 IN.	1	14	50352910	COUPLER, FEMALE ( <i>flat face</i> )	1
04	650733	CS 5/16 x 2-1/2 C5ZY	1	15	NSS	BLOCK, MANIFOLD	1
05	136226	CLAMP, HOSE 0.75 x 0.41 ( <i>vinyl</i> )	1	16	50352914	FITTING KIT 3/4" SAE	2
06	650581	CS 3/8 x 3 C8ZY	2	18	064354	CS FL LOCK 5/16" x 1" C5ZY	4
07	50352739	BLOCK, COUPLER W/PRESS. RELF. ( <i>includes items 12-16</i> )	1	19	273624	SHIELD	1
08	274598	SPACER, AUXILIARY COUPLER	1	20	137542	90 BLKHD MJ10-MJ10	2
09	054994	ST MJ06-MORB06	1	21	098534	90 BLKHD MJ06-MJ06	1
10	079098	PLATE, TOP	1				
11	190950	CLAMP, TUBE 1.00 TWIN	1				

### HOSE CONNECTION:

#01 connects to bulkhead tee - hose to self-level valve (A3)  
 #02 connects to bulkhead tee - hose to self-level valve (B3)  
 #03 connects to bulkhead tee - hose to hydraulic tank return

## RT175 - HYDRAULICS TRACK DRIVE CIRCUIT - LEFT SIDE

Item			
No.	Part No.	Description	Qty.
01	See Note	MOTOR, DRIVE 1049cc W/FLANGE <i>(does not include sprocket)</i>	1
02	273650	ST-LN MJ060MORB06	2
03	271709	ST-LN MJ08-MORB08	1
04	50302378	ST MC20-MORB12-S SP	2
05	50302080	HOSE, MP 4 x 53.5 IN.*	1
06	273906	HOSE, MP 8 x 45.0 IN.*	1
07	50301292	HOSE, MP 6 x 58.0 IN.	1
08	054820	TEE RUN MJ06-MAORB06-MJ06 *	1
09	50302511	HOSE, HP 12 x 31.0 IN.	1
	270545	O-RING M20 x 2.0 N90 <i>(included)</i>	2
10	50302509	HOSE, HP 12 x 29.0 IN.	1
	270545	O-RING M20 x 2.0 N90 <i>(included)</i>	2

Item			
No.	Part No.	Description	Qty.
11	095456	45 MJ06-FJS06 *	1
12	091039	90 MJ06-FJS06 *	1
13	072806	TEE MJ06-FJS06-MJ06 *	1
14	054994	ST MJ06-MORB06 *	1
15	274477	MANIFOLD, PILOT PRESSURE *	1
16	50300605	GUARD, HOSE POLY 1" x 20"	2

\* Avoid ordering duplicate parts; be aware that some of the same parts are shown on the previous page.

**NOTE:** Refer to page 73 for the drive motor part number.

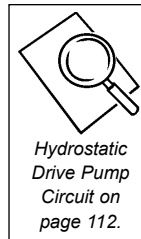
## RT175 - HYDRAULICS PILOT PRESSURE MANIFOLD CIRCUIT

Item No.	Part No.	Description	Qty.
01	274477	PILOT PRESSURE MANIFOLD	1
02	50304010	ST MJ04-MORB06/SP	1
03	50302211	HOSE, MP 4 x 29.0 IN	1
04	055005	90 MJ12-MAORB12	1
05	273885	HOSE, MP 12 x 69.50 IN.	1
06	054626	ST MJ08-MORB08	2
07	273926	HOSE, MP 8 x 22.25 IN.	1
08	50302080	HOSE, MP 4 x 53.5 IN.	1
09	50301292	HOSE,MP 6 x 58.0 IN.	1
10	054820	TEE RUN MJ06-MAORB06-MJ06	1
11	274023	HOSE, MP 8 x 23.5 IN.	1
12	055064	45 MJ12-MAORB12	1
13	273915	HOSE, MP 6 x 44.0 IN.	1
14	274220	HOSE, MP 12 x 27.0 IN.	1
15	274386	HOSE, MP 4 x 53.0 IN.	1
16	274386	HOSE, MP 4 x 53.0 IN.	1
17	171629	TEE RUN MJ04-MAORB04-MJ04	2
18	274389	HOSE, MP 4 x 31.0 IN.	1

Item No.	Part No.	Description	Qty.
19	274389	HOSE, MP 4 x 31.0 IN.	1
20	071703	LN 3/8" CBZY	2
21	652059	CB 3/8" x 3-1/4" C5ZY	2
22	132049	TEMPERATURE SWITCH	1
23	50301629	HOSE, MP 6 x 56.0 IN.	1
24	091039	90 MJ06-FJS06	1
25	072806	T MJ06-FJS06-MJ06	1
26	054994	ST MJ06-MORB06	1

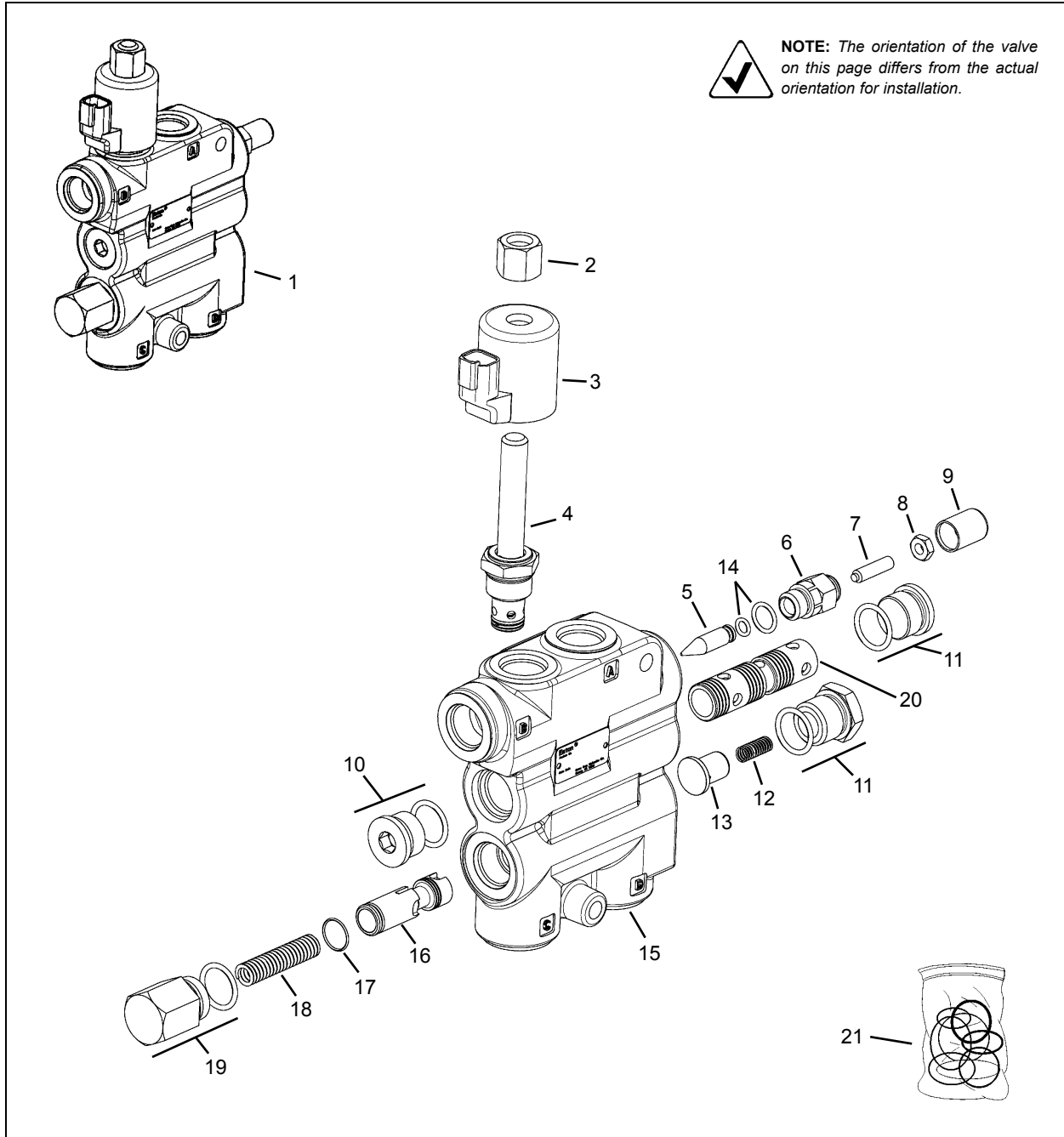
### HOSE CONNECTION:

- #03 connects to hydraulic main valve (P) [*tee fitting*]
- #05 connects to hydraulic tank (*RETURN*)
- #07 connects to Hydrostatic Drive Pump (*right-side*)
- #08 connects to left-side drive motor
- #09 connects to left-side drive motor
- #11 connects to float manifold (T)
- #13 connects to right-side drive motor
- #14 connects to Hydrostatic Drive Pump (*Port - D3*)
- #15 connects to left-side track tension cylinder
- #16 connects to left-side track tension cylinder
- #18 connects to right-side track tension cylinder
- #19 connects to right-side track tension cylinder
- #23 connects to right-side drive motor (*park brake*)



# RT175 - HYDRAULIC COMPONENTS

## SELF-LEVEL VALVE - (SWITCHABLE) (OPTION)



Item No.	Part No.	Description	Qty.
01	271958	VALVE, SELF-LEVEL W/BYPASS <i>(includes all items shown)</i>	1
02	NSS	COIL NUT <i>(included with item 4)</i>	1
03	50280058	COIL, 12 VDC	1
04	50280059	VALVE, CARTRIDGE 2-WAY NC	1
05	080808	PIN	1
06	080809	ADJUSTMENT CAP	1
07	080811	SET SCREW	1
08	080810	NUT	1
09	NSS	COVER	1
10	080813	PLUG ASSEMBLY <i>(includes o-ring)</i>	2
11	088472	PLUG ASSEMBLY <i>(includes o-ring)</i>	1

Item No.	Part No.	Description	Qty.
12	088471	SPRING	1
13	088473	LOAD CHECK	1
14	NSS	O-RINGS <i>(included with item #21)</i>	2
15	NSS	BODY	1
16	NSS	SPOOL	1
17	350-27299	RETAINING RING	1
18	089961	SPRING	1
19	129004	PLUG ASSEMBLY <i>(includes o-ring)</i>	1
20	NSS	SPOOL	1
21	129066	SEAL KIT <i>(includes item #9 and all o-rings shown)</i>	1

# RT175 - DECALS LEFT SIDE



Item No.	Part No.	Description	Qty.
01	50303534	DECAL, RT175 LH	1
02	50303544	DECAL, LIFT ARM GEHL	1
03		DECAL, JOYSTICK CONTROL (left)	1
	275631	ISO (standard)	
	275633	ISO-DH (option)	
04	184116	DECAL, 2-SPEED (set) *	1
05	138711	DECAL, HYDRAGLIDE® **	1
06	137661	DECAL, TIE-DOWN POINT (clear)	1

Item No.	Part No.	Description	Qty.
07	137634	DECAL, DIESEL FUEL ONLY	1
08	50301424	DECAL, GEN:2	1
09	139074	DECAL, AIR CONDITIONED	1
10	50302120	DECAL, IDEALTRAX	1

\* Set contains two decals—(1) left side and (1) right side.  
 \*\* Used on machines equipped with optional Hydraglide™.



CLICK HERE TO **DOWNLOAD** THE COMPLETE MANUAL

- Thank you very much for reading the preview of the manual.
- You can download the complete manual from: [www.heydownloads.com](http://www.heydownloads.com) by clicking the link below



- Please note: If there is no response to CLICKING the link, please download this PDF first and then click on it.

CLICK HERE TO **DOWNLOAD** THE COMPLETE MANUAL