

The GEHL logo is displayed in a bold, white, sans-serif font against a black background. The letters are thick and blocky, with a slight shadow effect. The logo is positioned at the top of the page, centered horizontally.

GEHL

**RT105
RT105 (EU)
RT105 X-Series**

**Compact Track
Loader**

Parts Manual

50950435 Rev. D 2021/01

CLICK HERE TO **DOWNLOAD** THE COMPLETE MANUAL

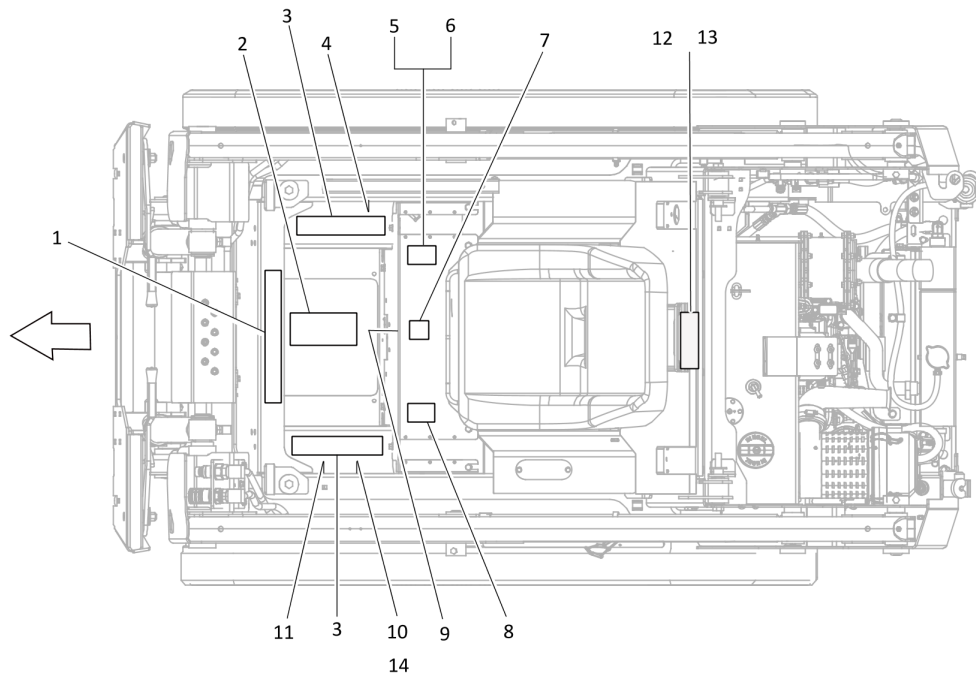
- Thank you very much for reading the preview of the manual.
- You can download the complete manual from: www.heydownloads.com by clicking the link below



- Please note: If there is no response to CLICKING the link, please download this PDF first and then click on it.

CLICK HERE TO **DOWNLOAD** THE COMPLETE MANUAL

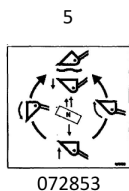
DECALS Operator's Station



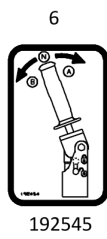
TOP VIEW
OPERATOR'S STATION



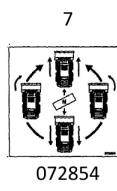
420-35629



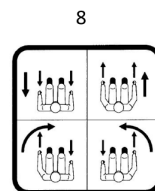
072853



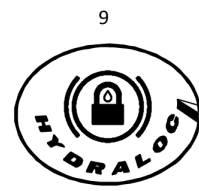
192545



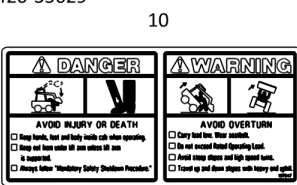
072854



420-35751



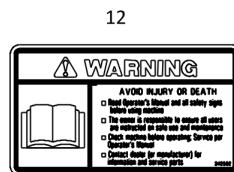
190646



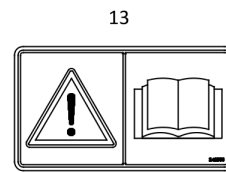
137647



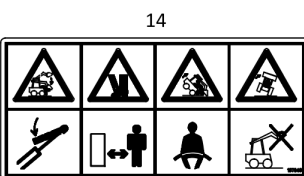
420-35630



242582



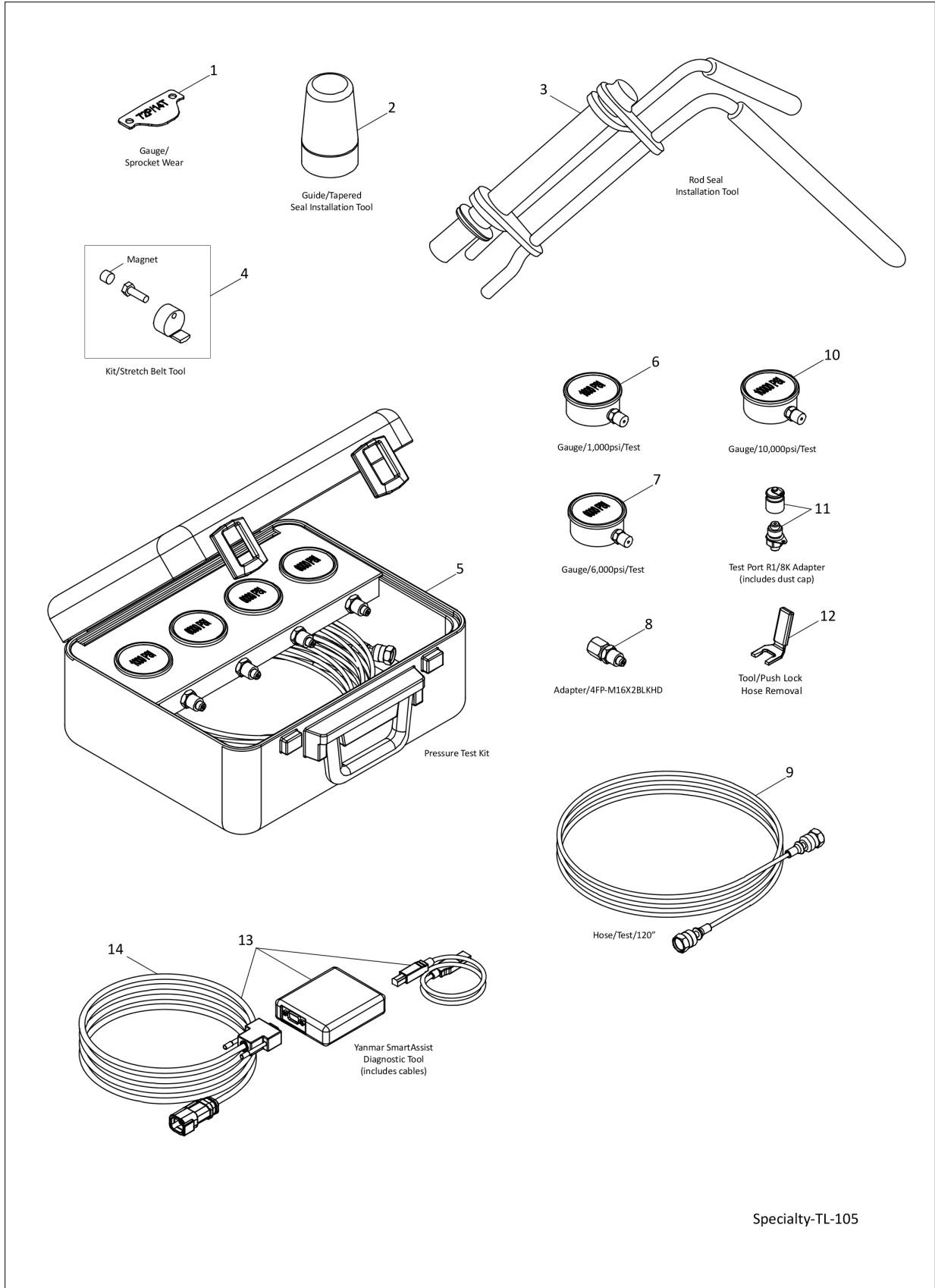
242568



137843

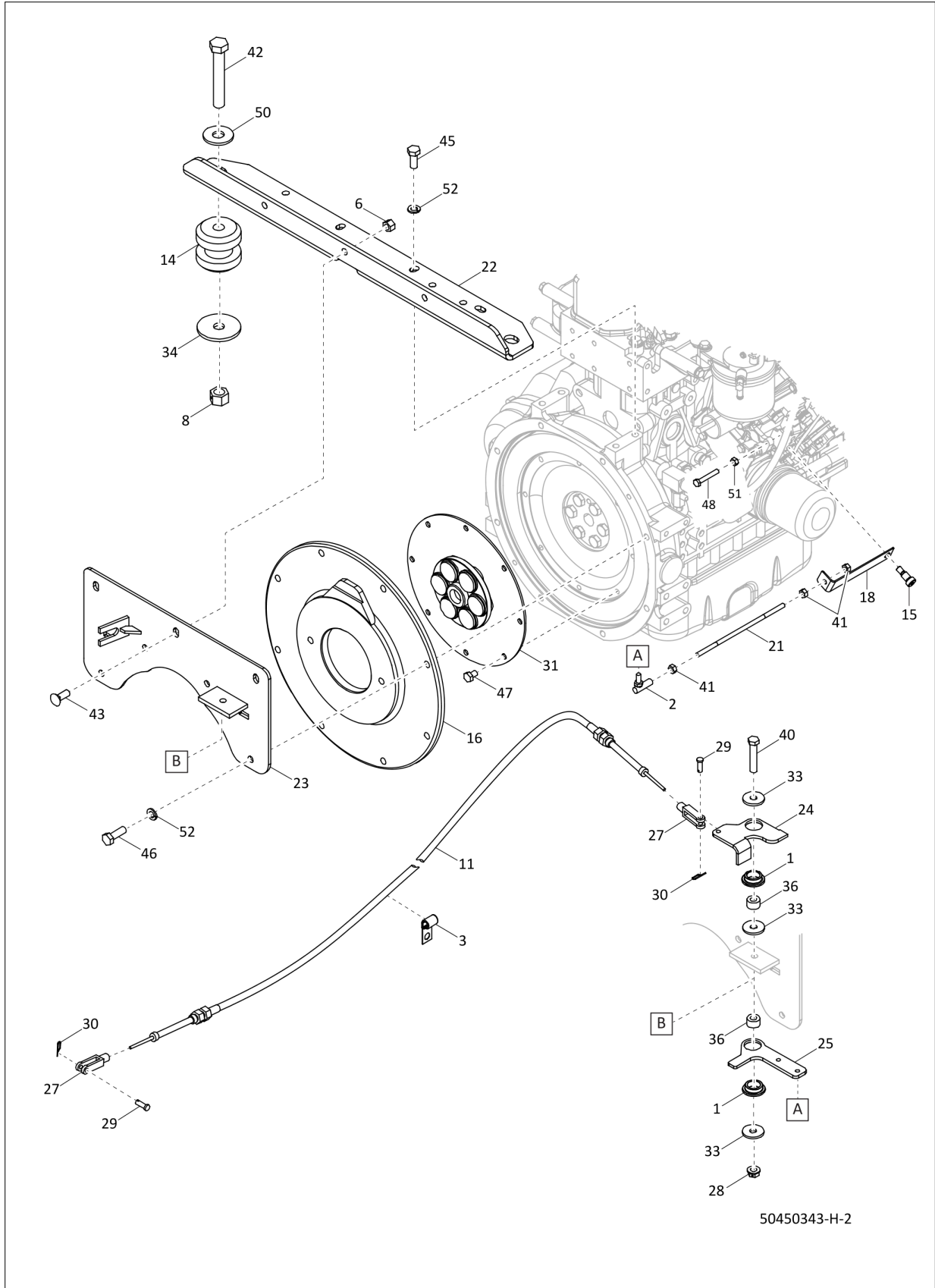
50442431-C-OpSta

05-SERVICE PARTS AND FILTERS Specialty Tools

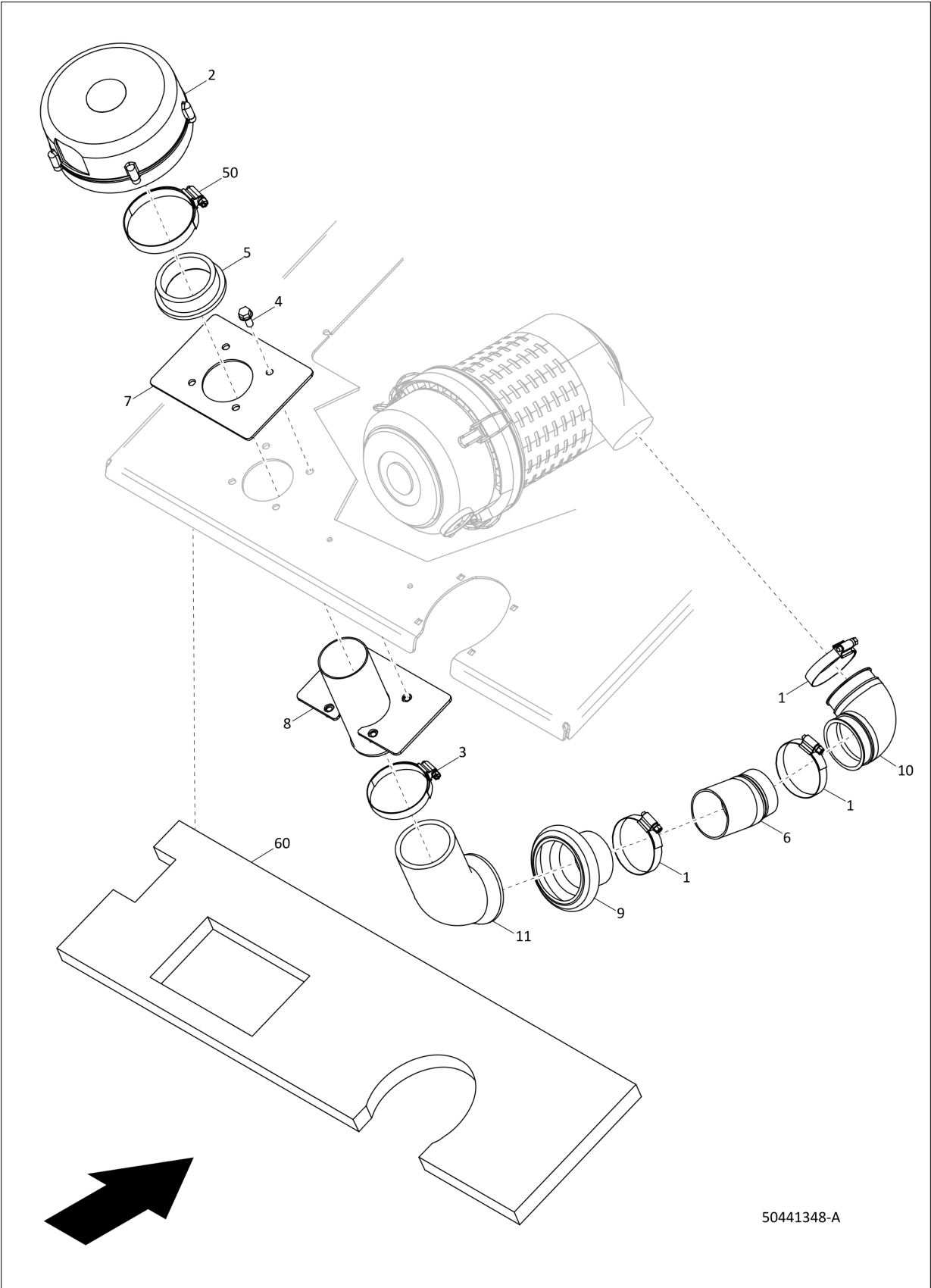


Specialty-TL-105

10-ENGINE Rear (NON-DPF Engine)



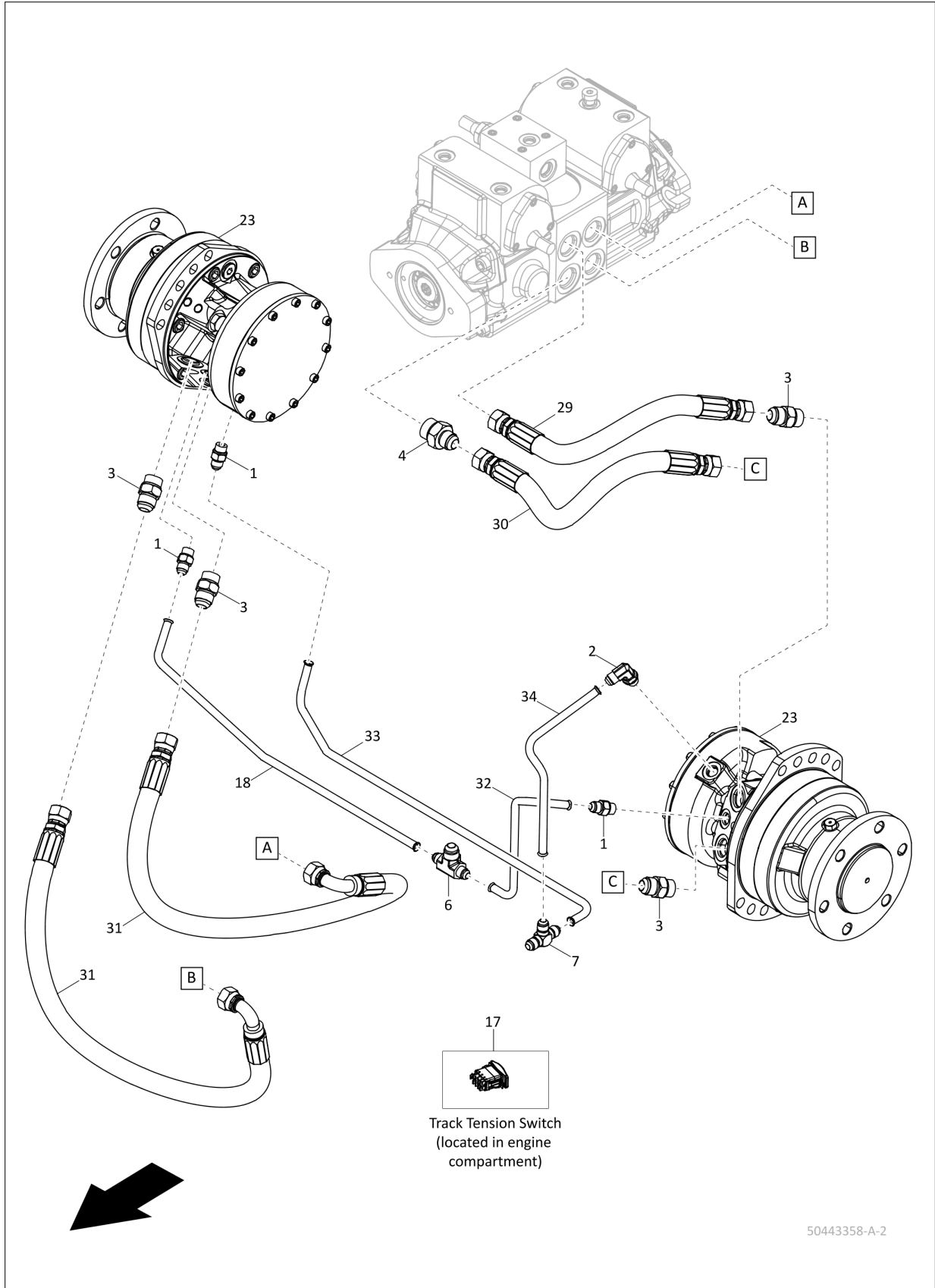
10-ENGINE Air Intake Precleaner (Option)



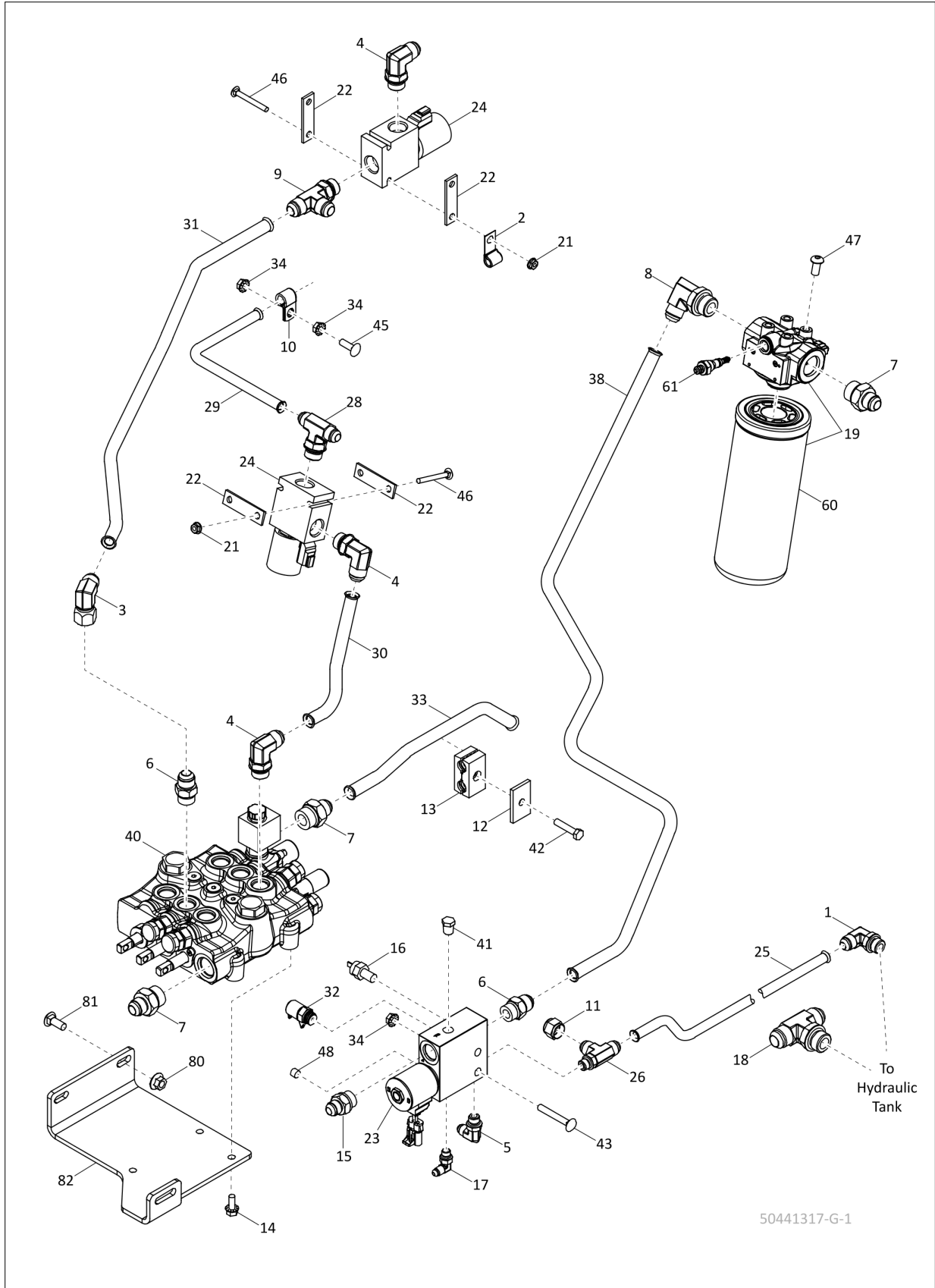
50441348-A

Item	Part No.	Name	Qty	Remarks
40	191909	Foam Pad/Sound	2	
60	50294698	Radiator Cap	1	15 psi
61	50295339	NPT 1/4" Draincock	1	
62	50302343	Plug HH MP02	1	

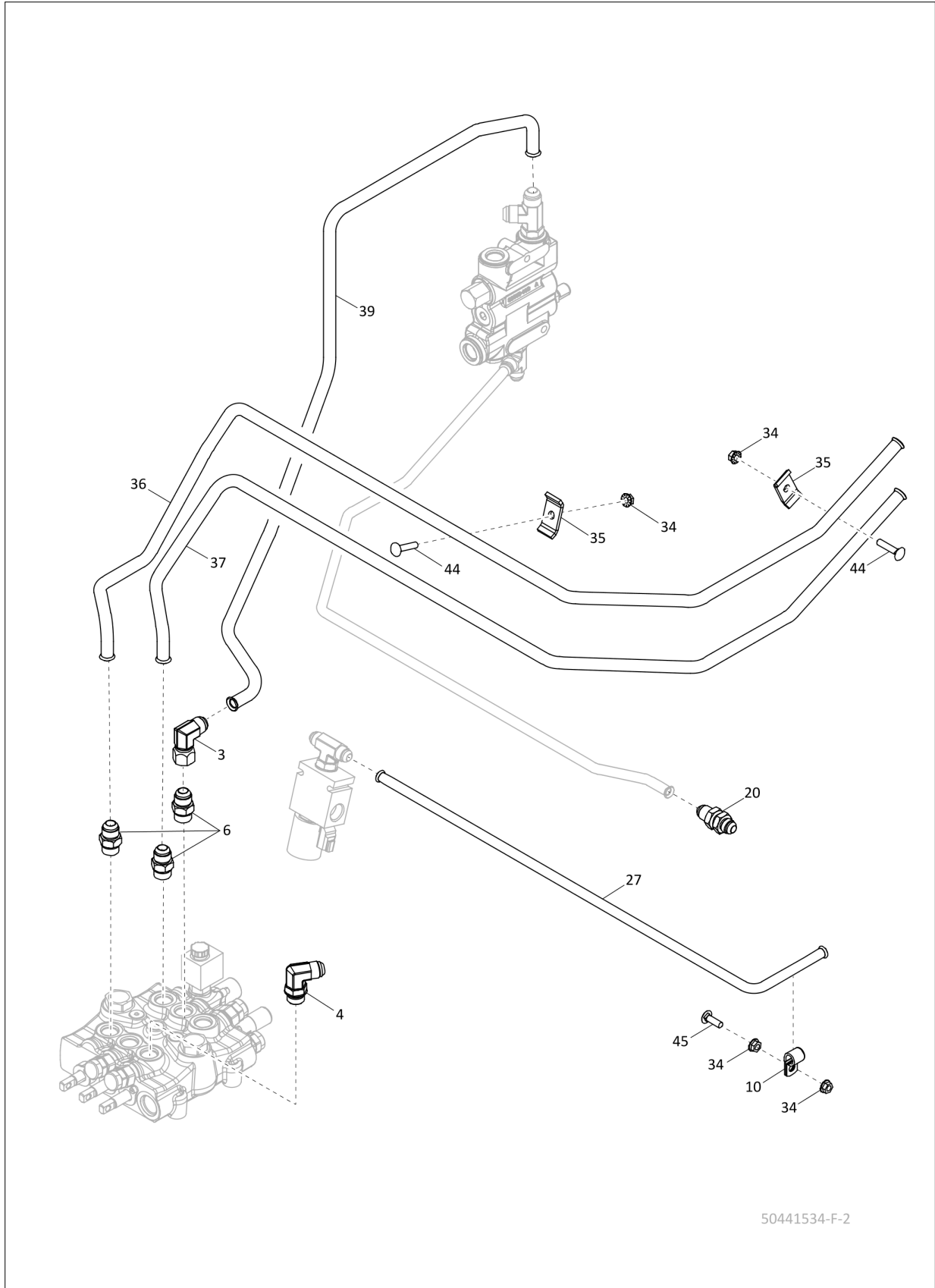
25-TRACK DRIVE Track Drive Group - Dual Joysticks (Part 2 of 2)

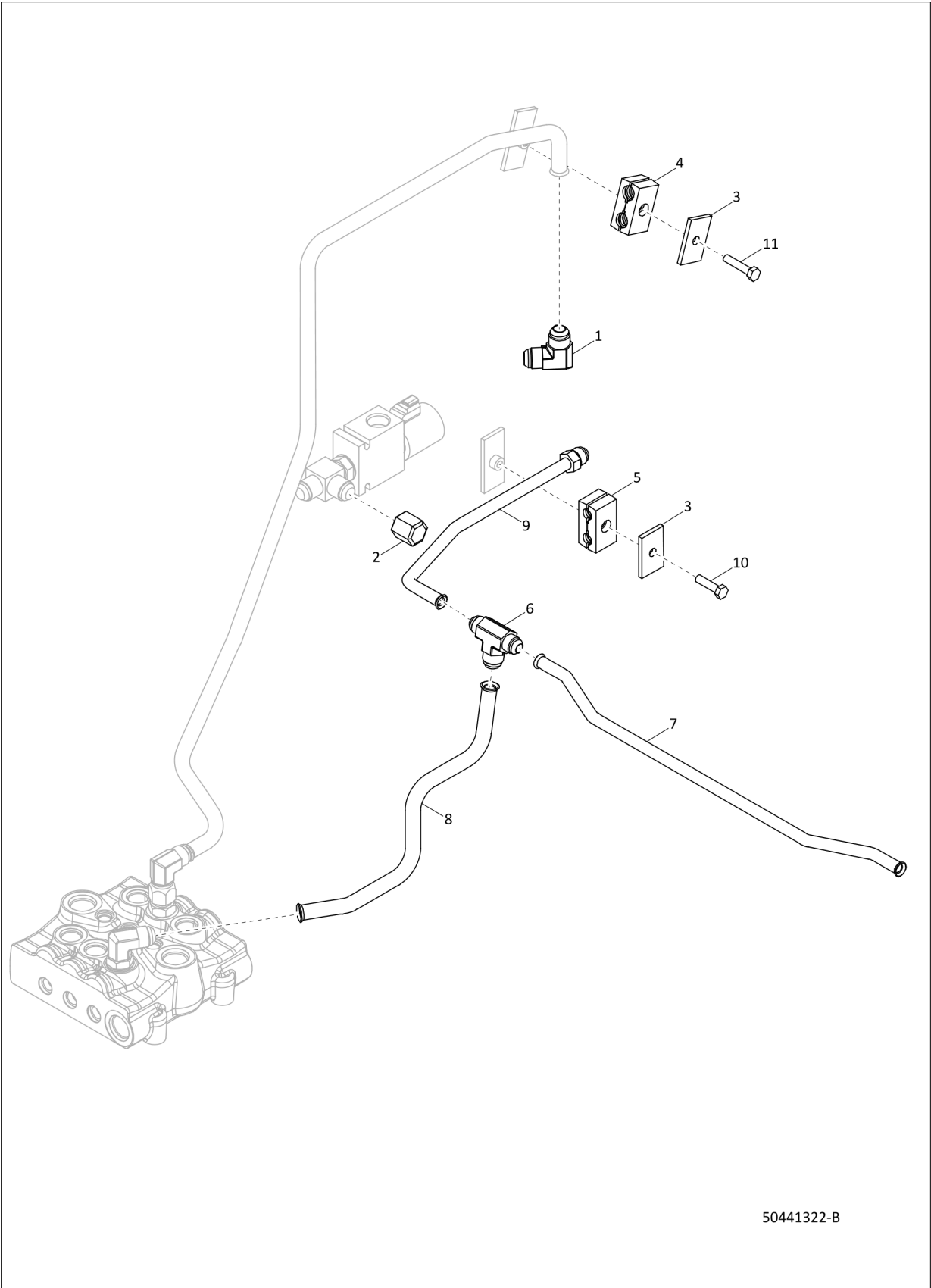


70-HYDRAULICS Control Valve Circuit - (DPF Engine) - (Part 1 of 2)



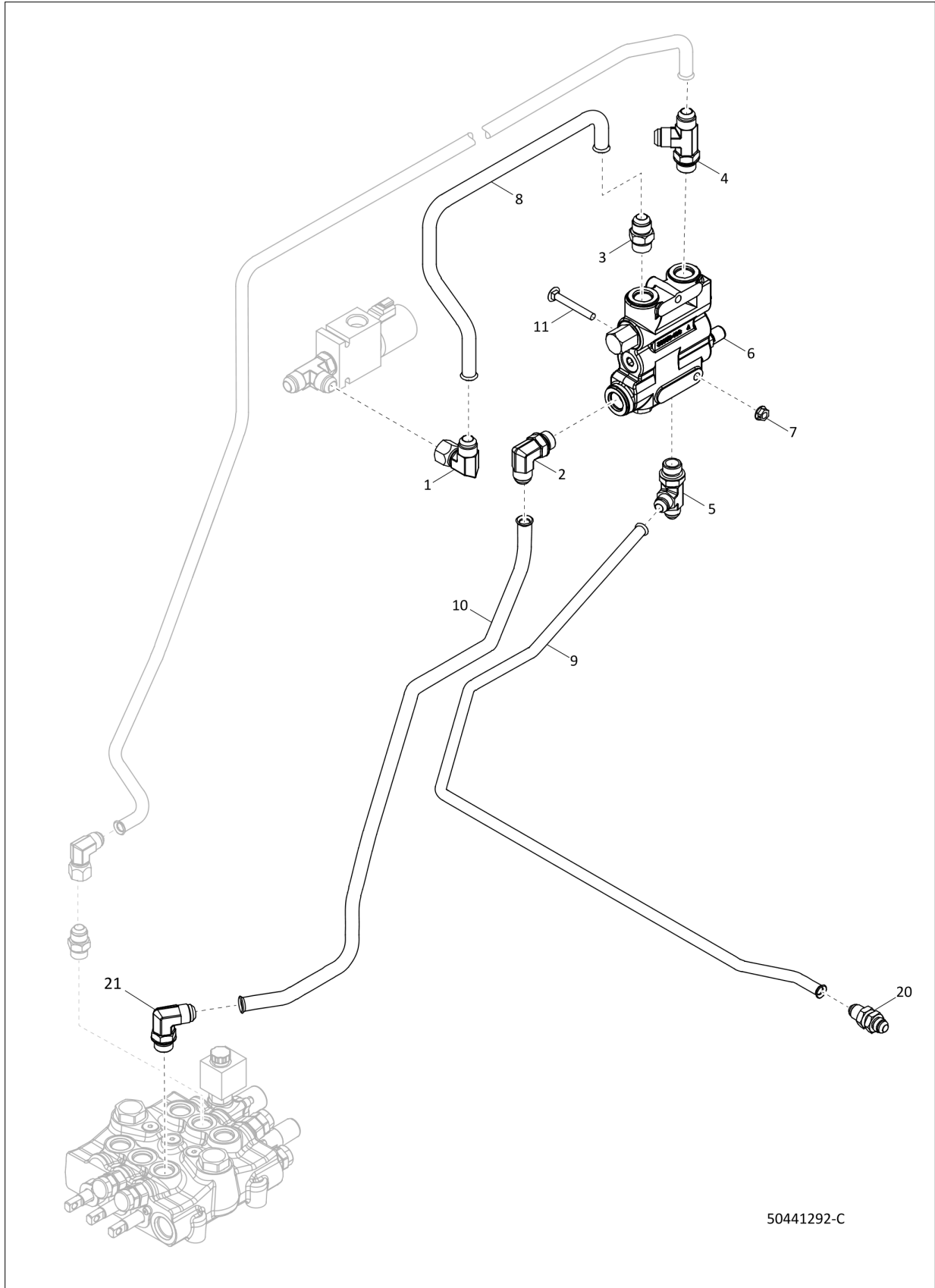
70-HYDRAULICS Control Valve Circuit - (NON-DPF Engine) - (Part 2 of 2)



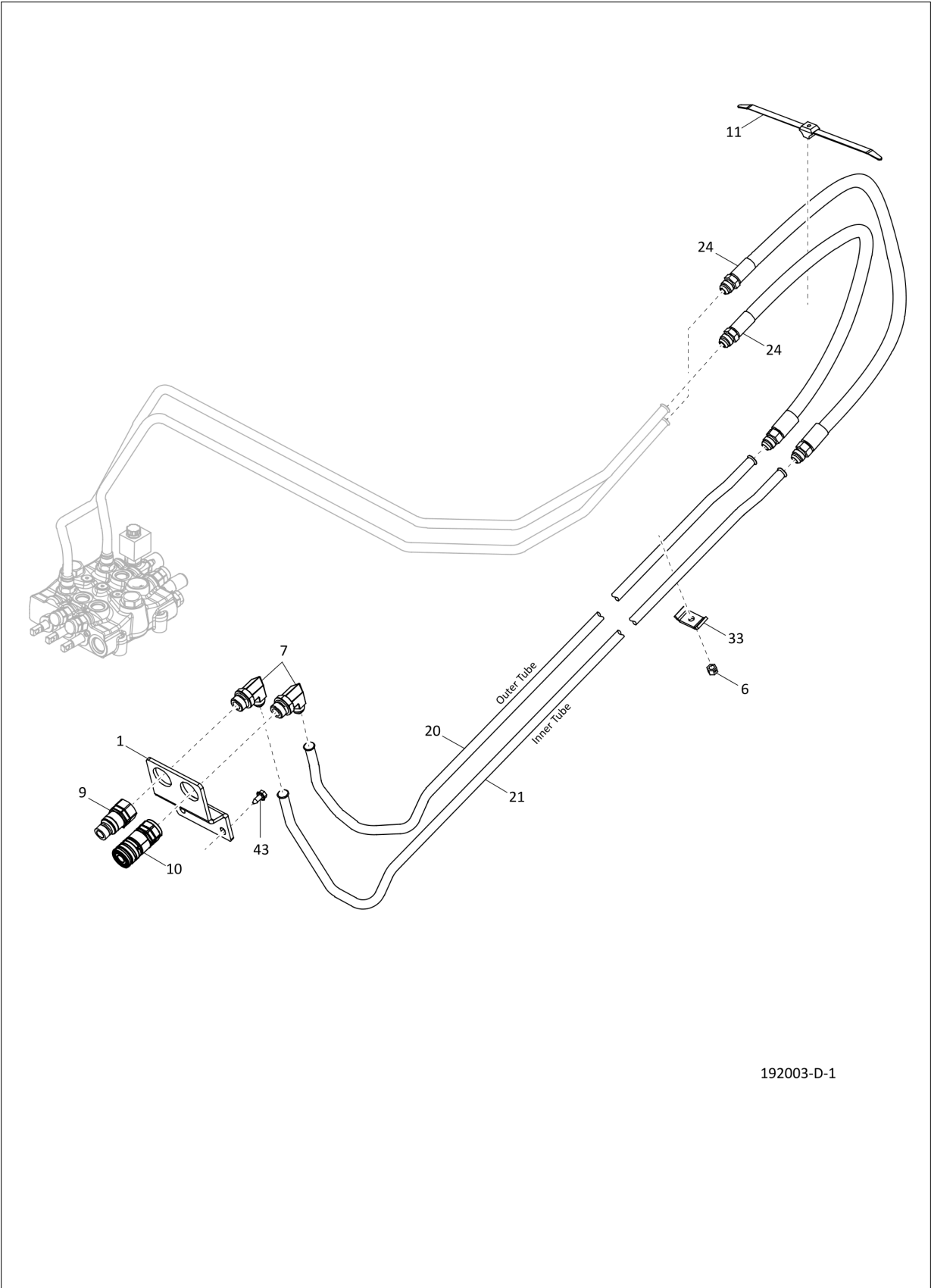


50441322-B

70-HYDRAULICS Self-Level Circuit (Non-Dual Joysticks)

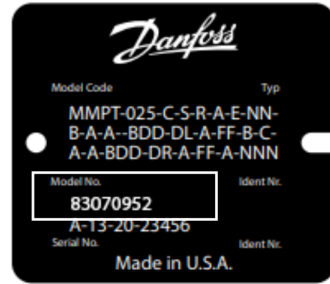
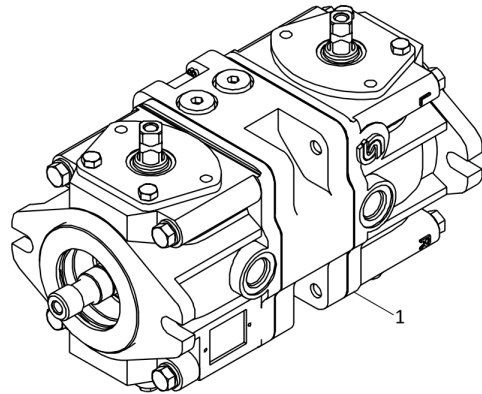


Lift Arm Hydraulics Auxiliary Circuit

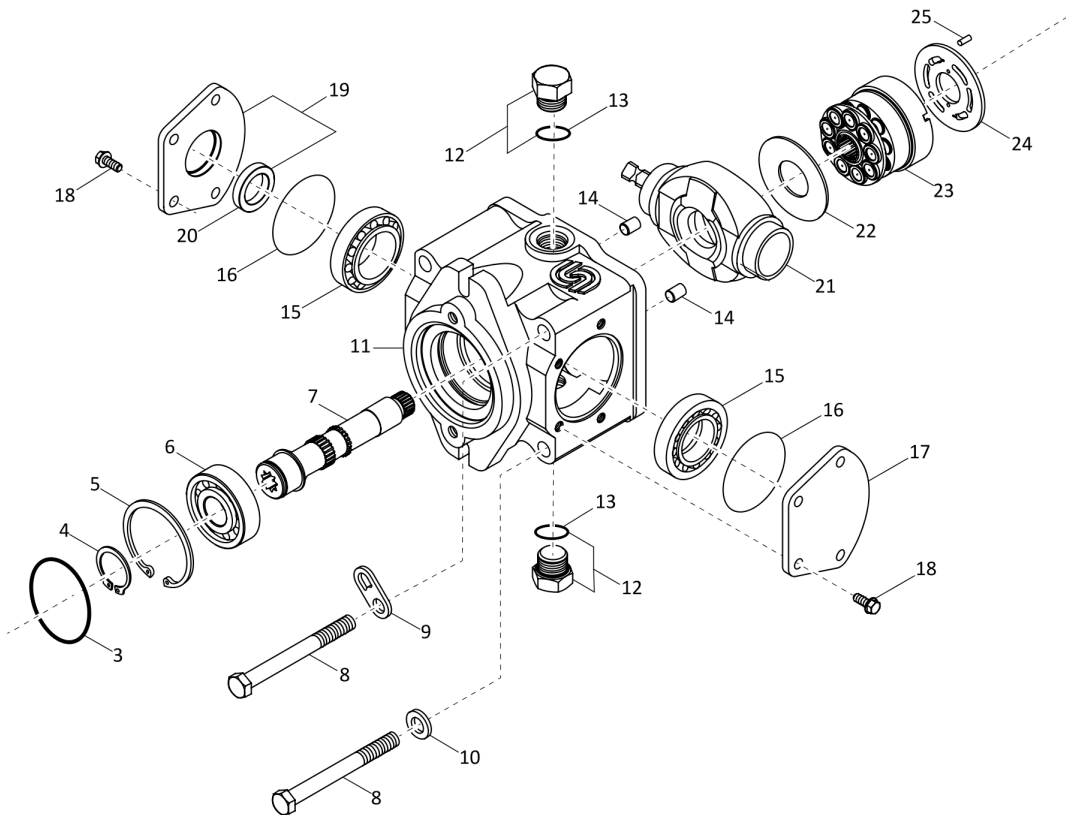


192003-D-1

Components Tandem Pump - (PN 50323178) - (Part 1 of 2)

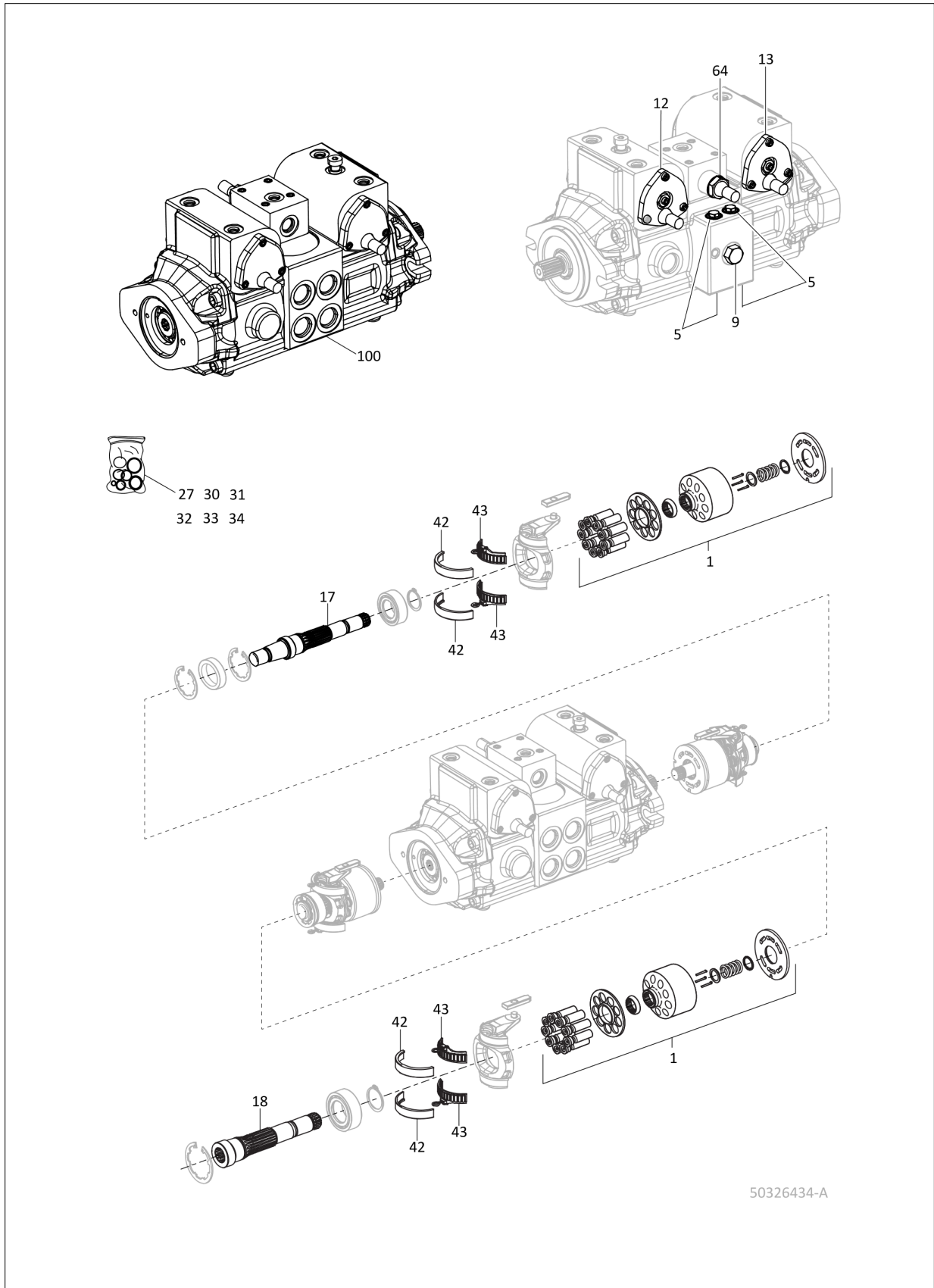


Model No. 83070952

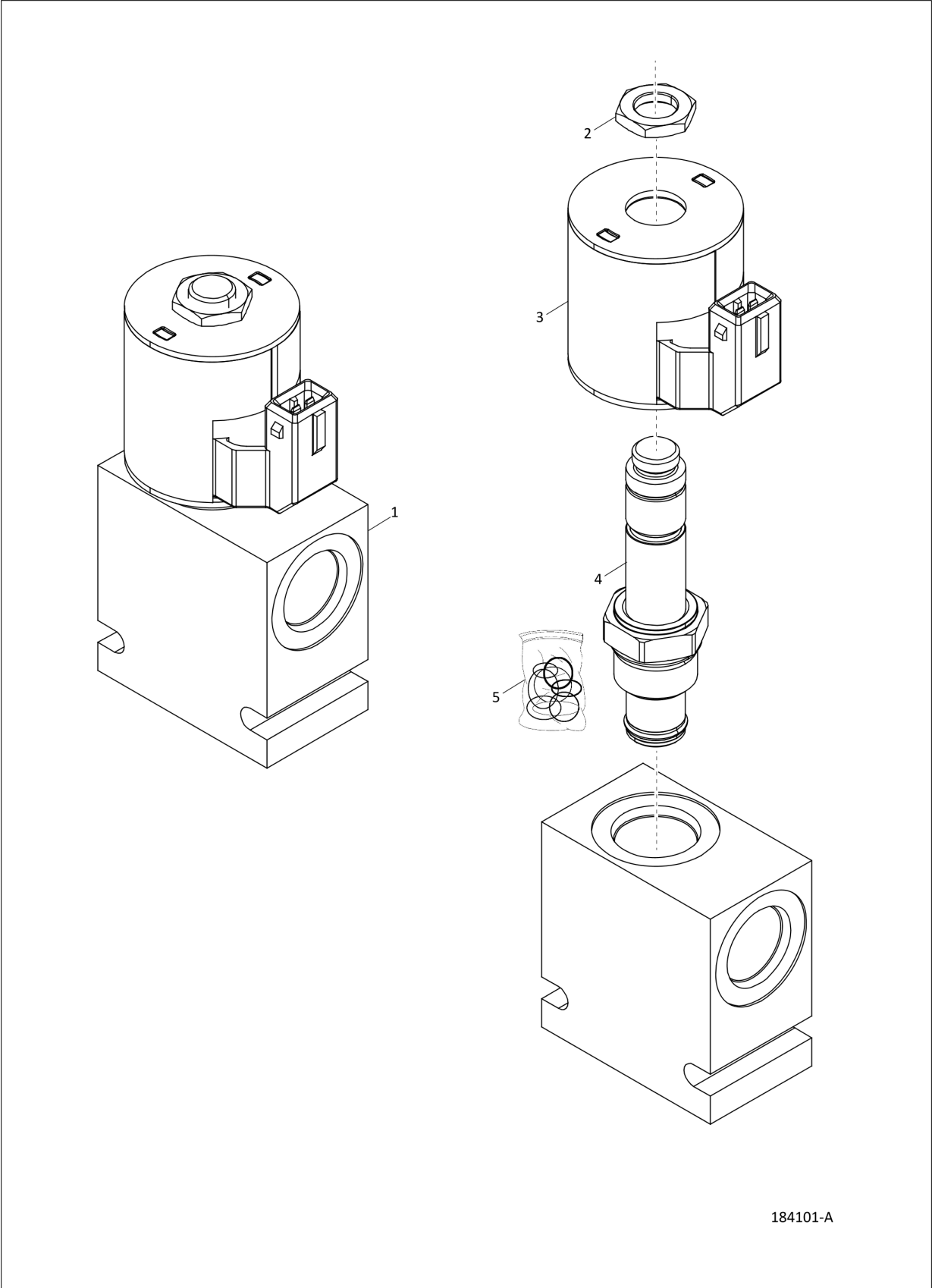


50323178-A-1

Components Tandem Pump - Dual Joysticks (PN 50326434)



Components Lift and Tilt Valve (PN 184101)



184101-A

CLICK HERE TO **DOWNLOAD** THE COMPLETE MANUAL

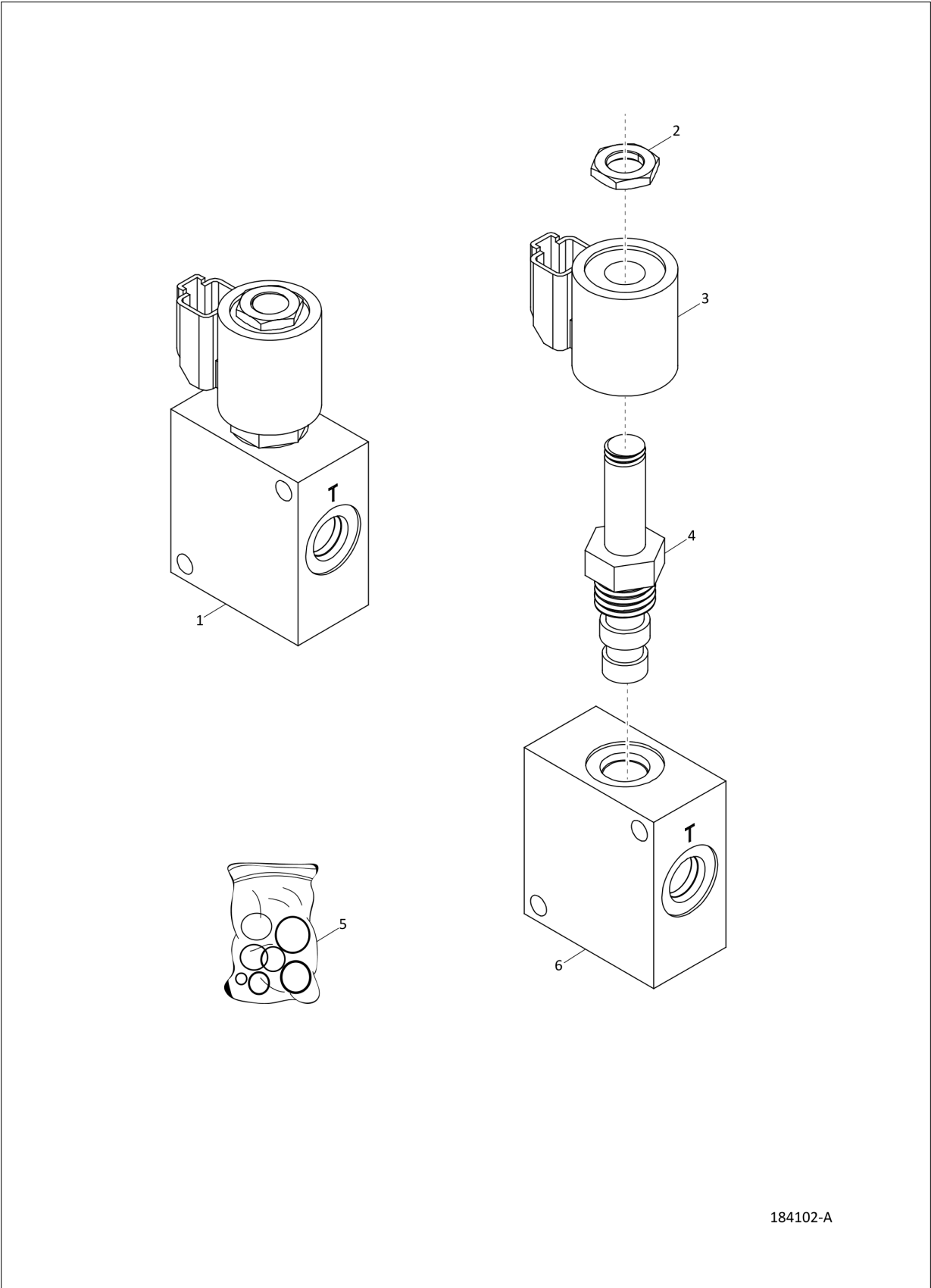
- Thank you very much for reading the preview of the manual.
- You can download the complete manual from: www.heydownloads.com by clicking the link below



- Please note: If there is no response to CLICKING the link, please download this PDF first and then click on it.

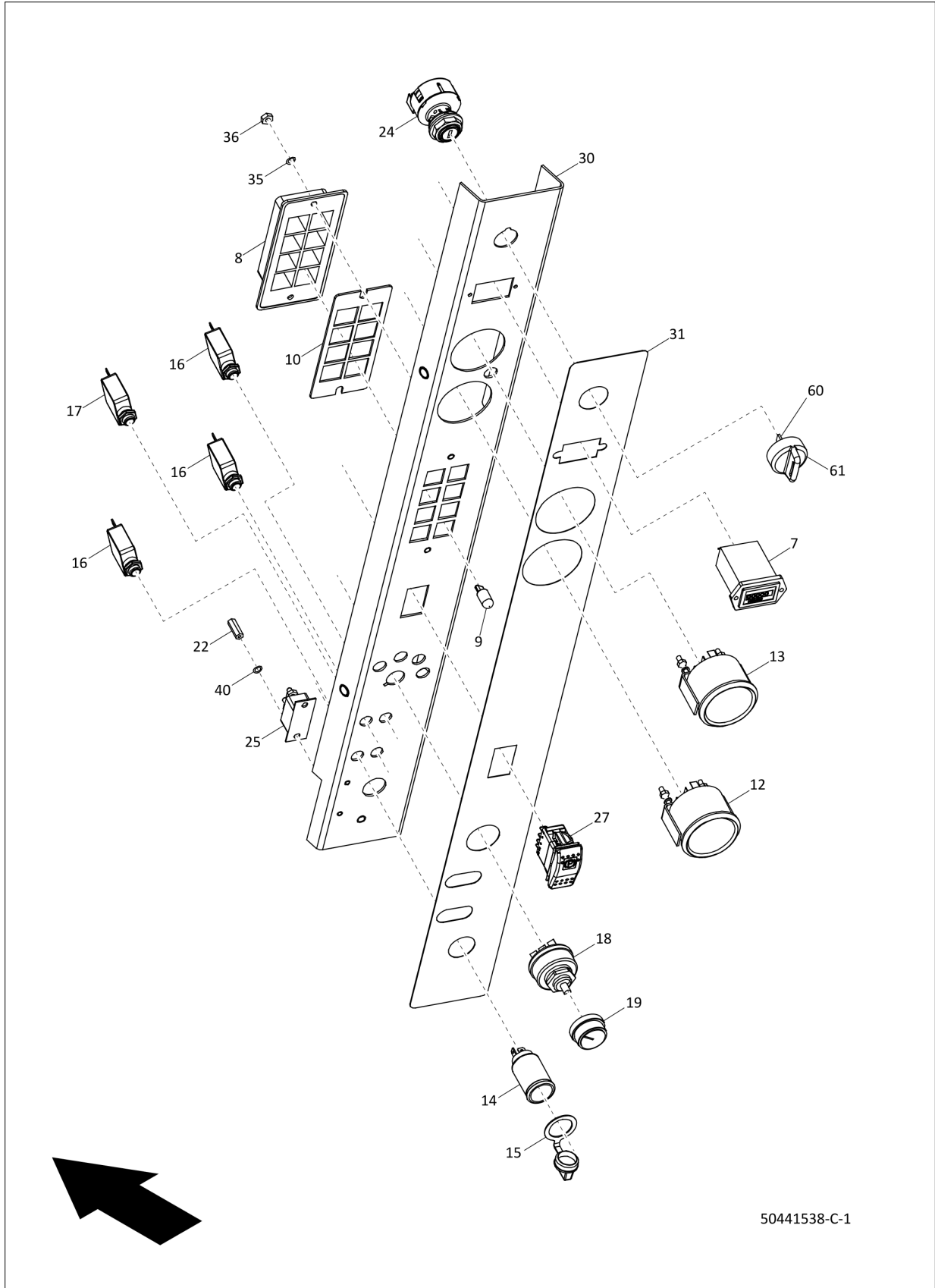
CLICK HERE TO **DOWNLOAD** THE COMPLETE MANUAL

Components Solenoid Valve (PN 184102)



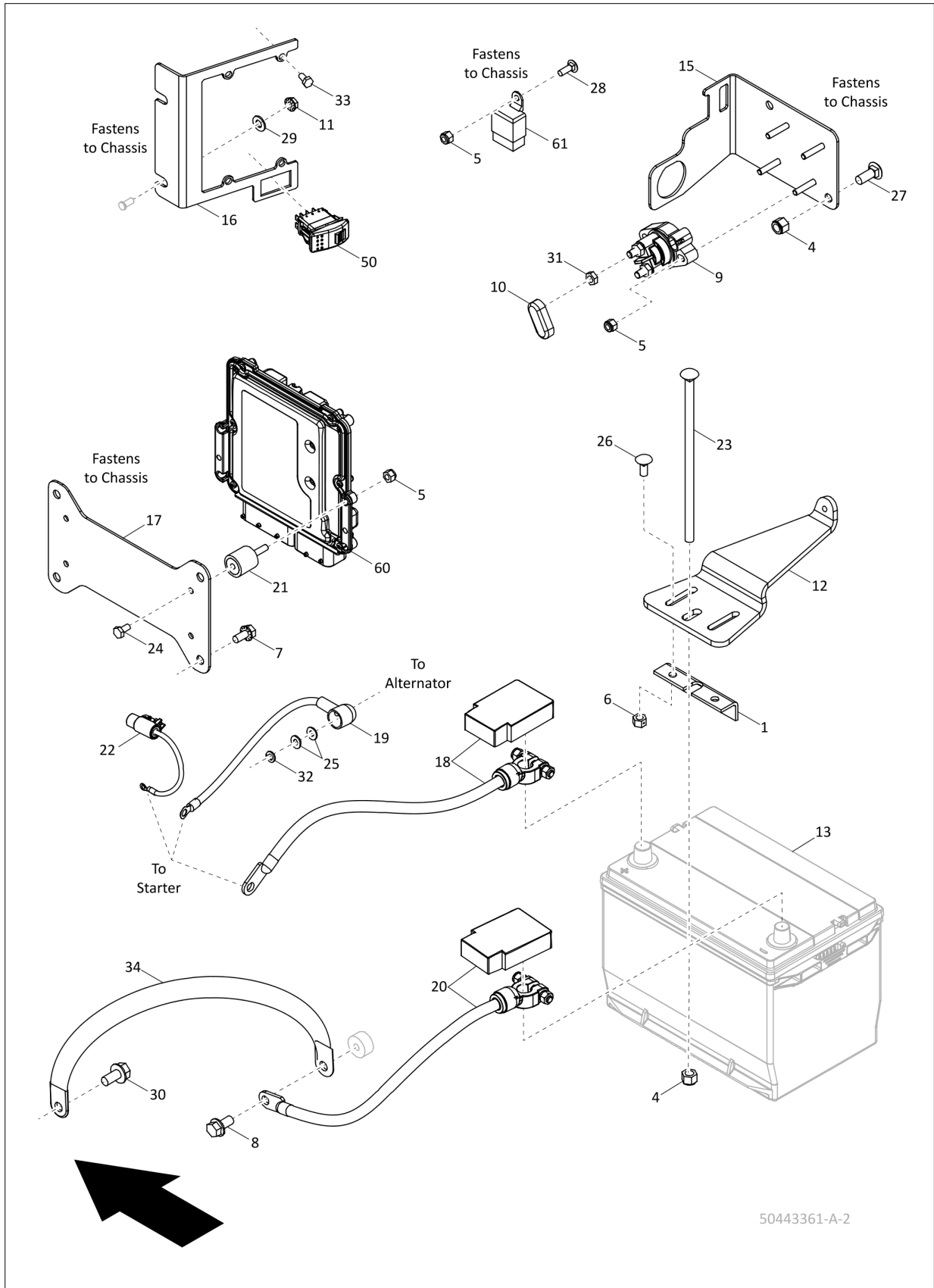
184102-A

80-ELECTRICAL ROPS Instrument Panel (NON-DPF Engine)



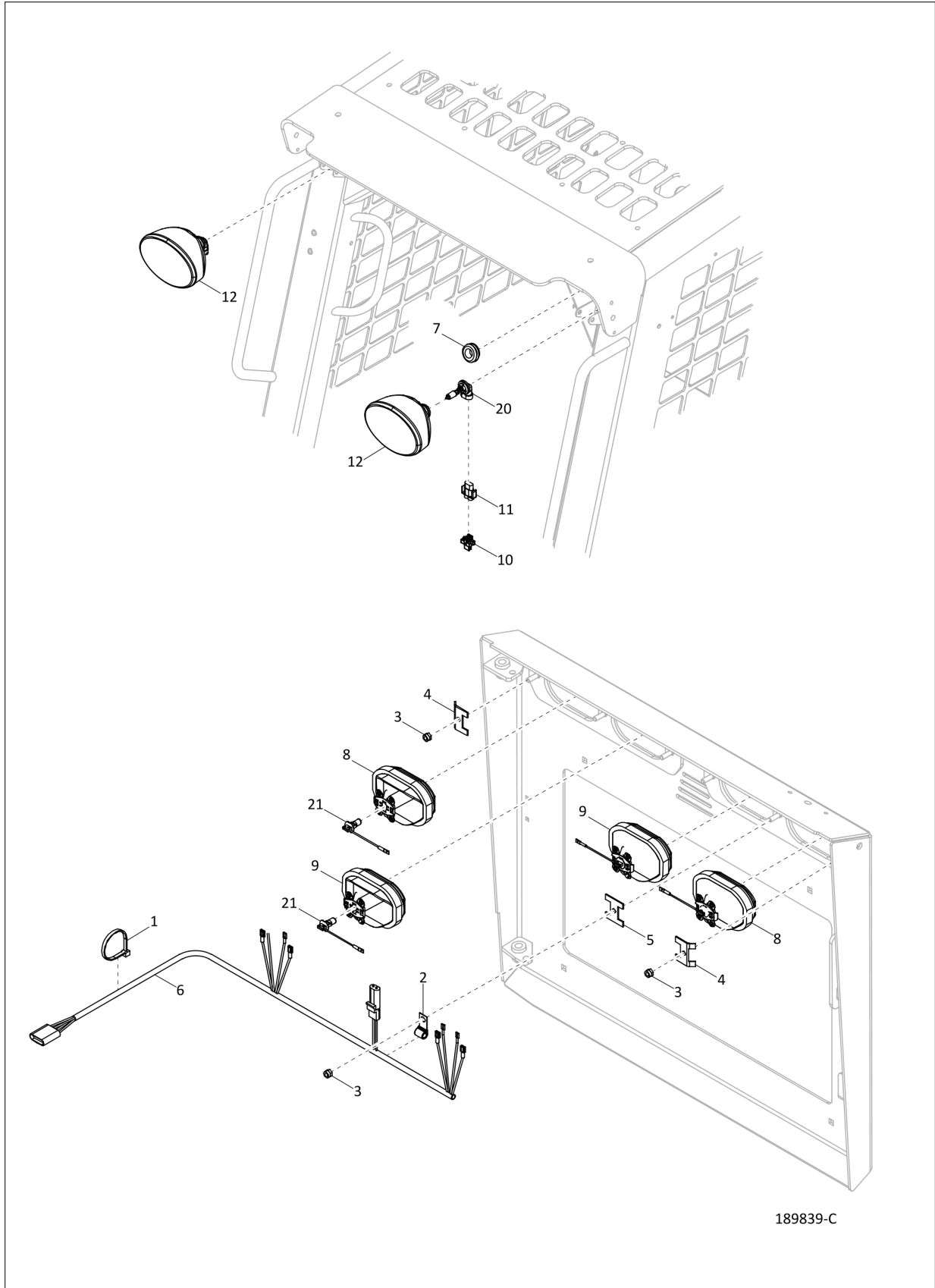
50441538-C-1

80-ELECTRICAL Chassis Electrical - Dual Joyticks (Part 2 of 2)

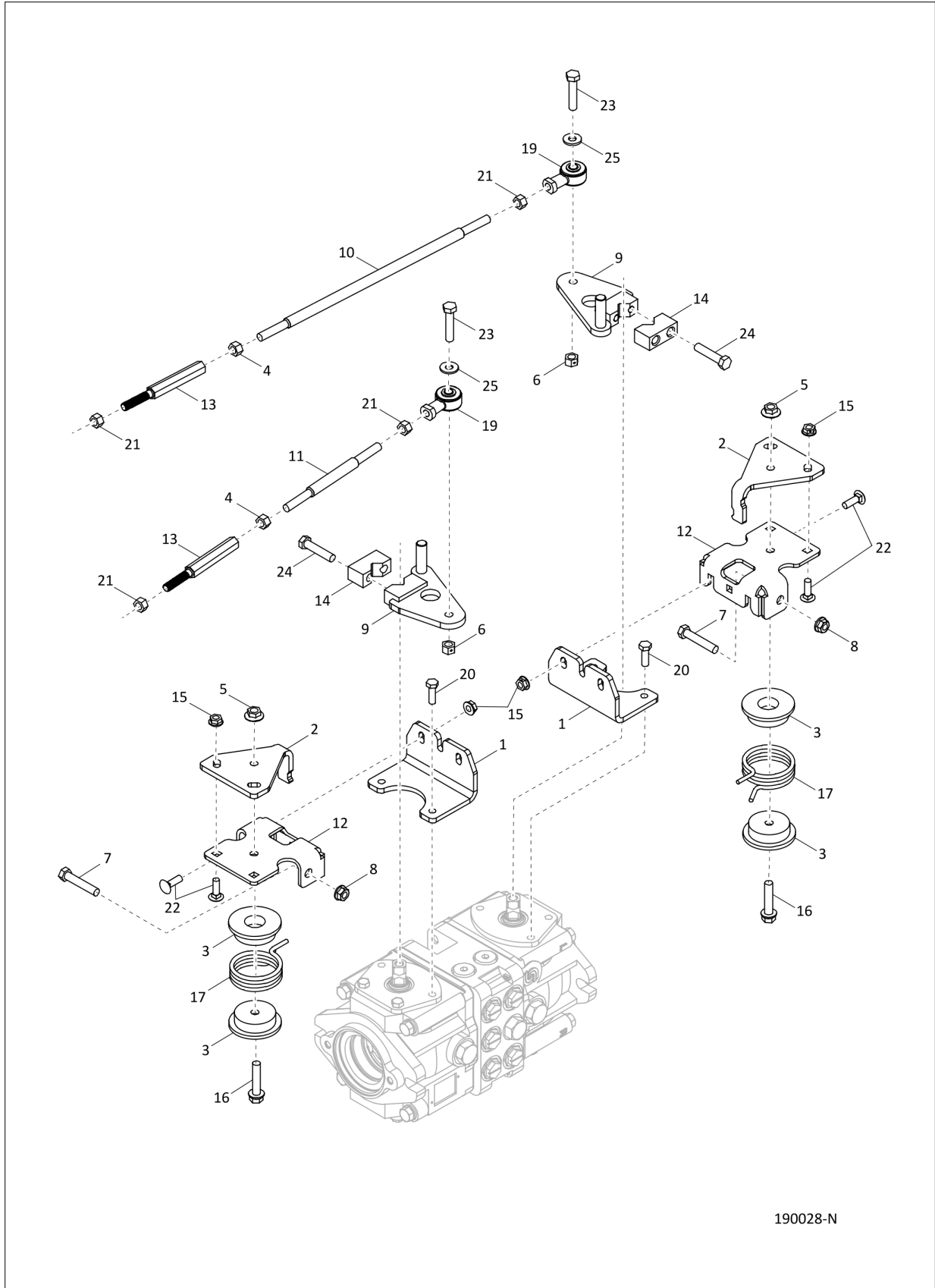


50443361-A-2

80-ELECTRICAL Lights

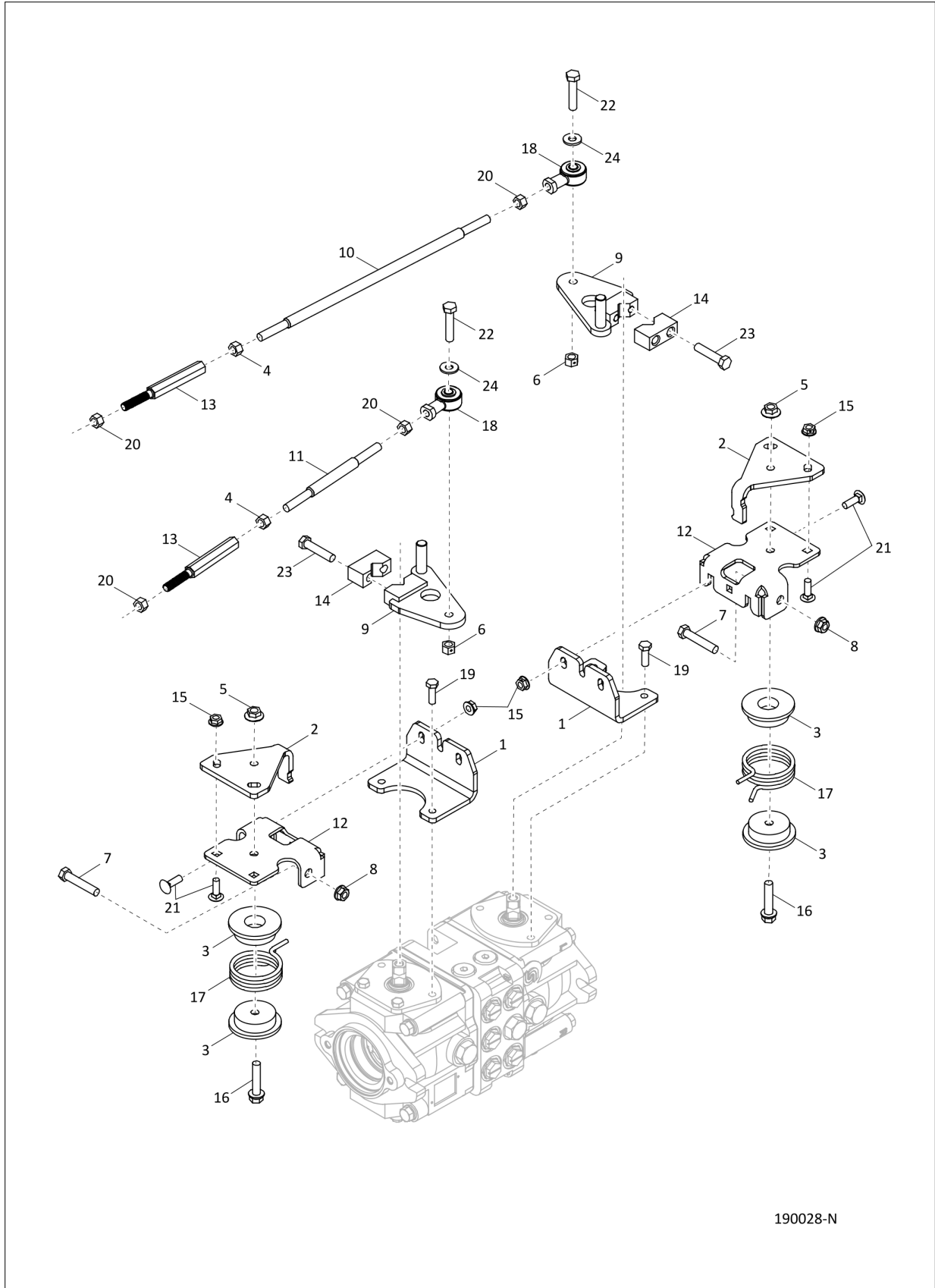


T-Bar Controls T-Bar - Hydrostatic Control



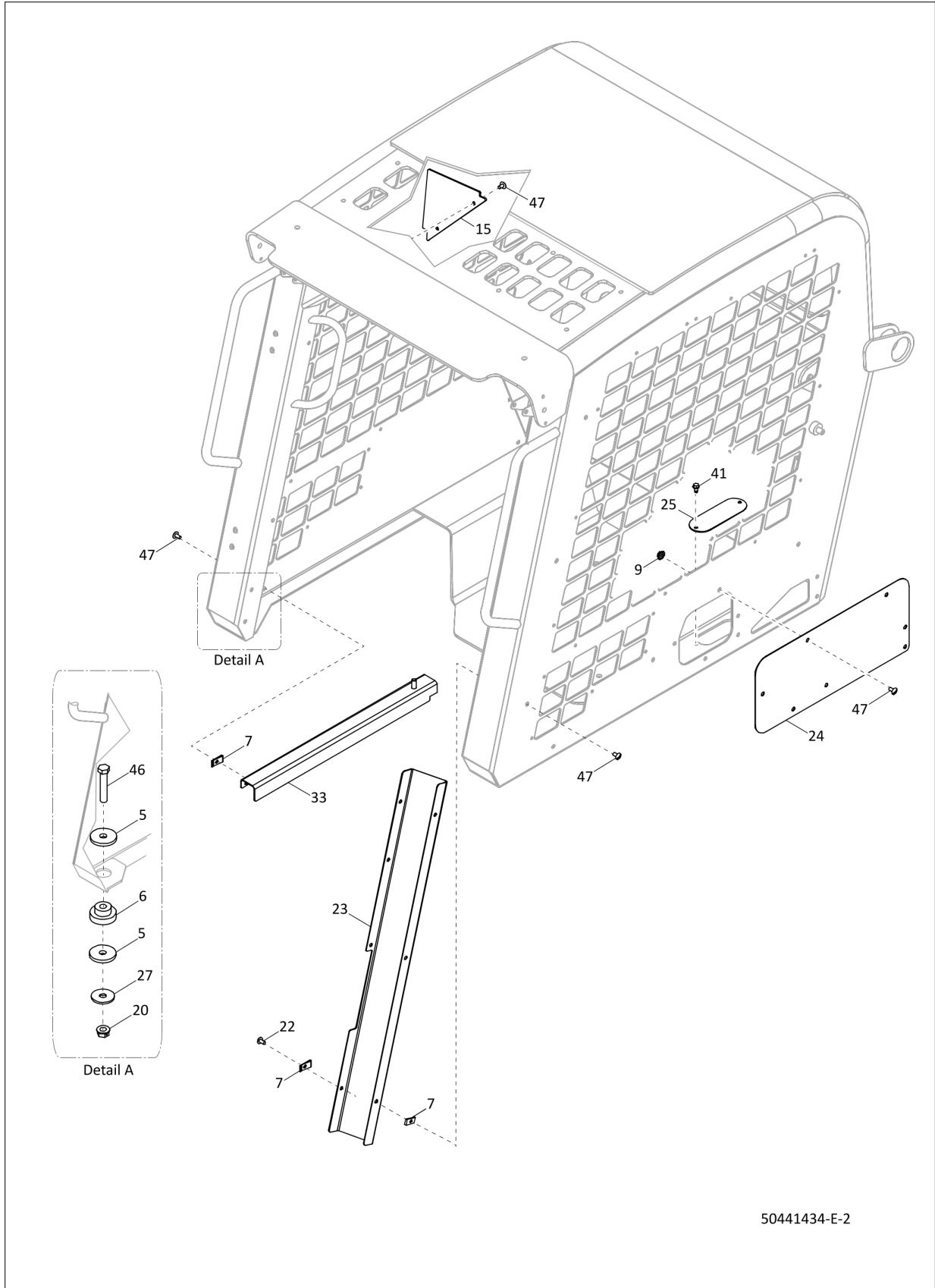
190028-N

Hand and Foot Controls Hand and Foot - Hydrostatic Control



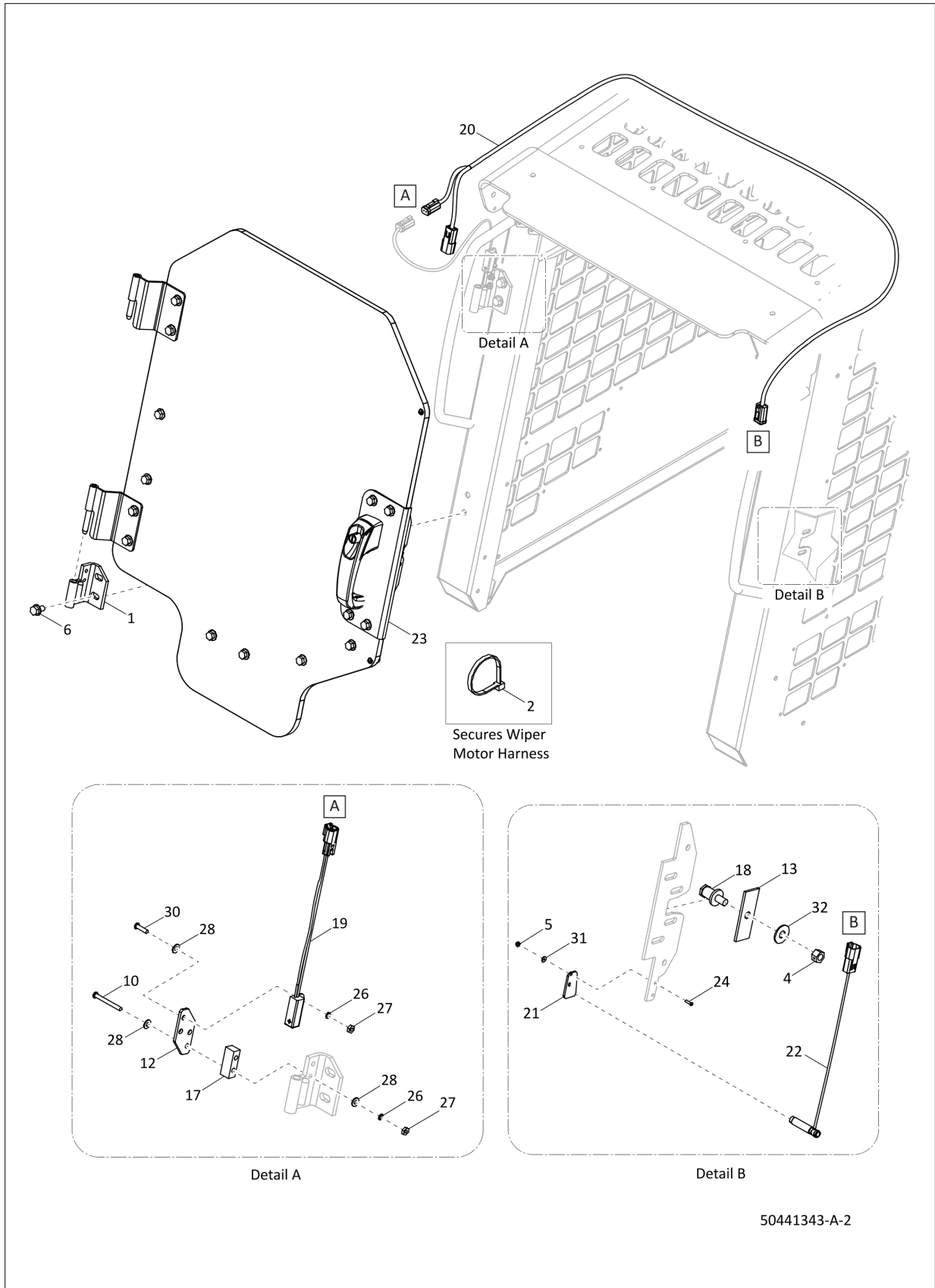
190028-N

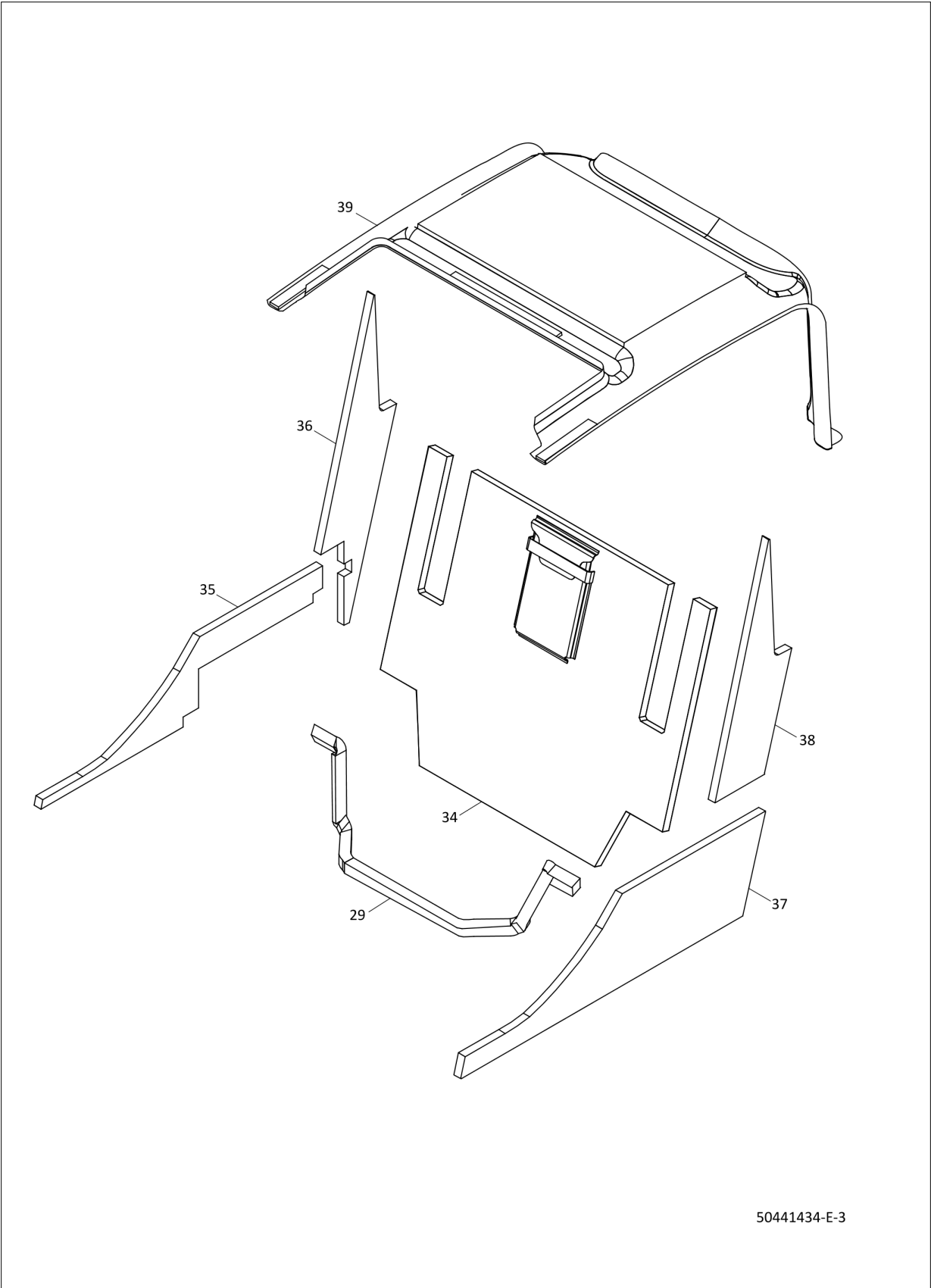
85-OPERATOR'S STATION ROPS/FOPS (Part 2 of 2)



50441434-E-2

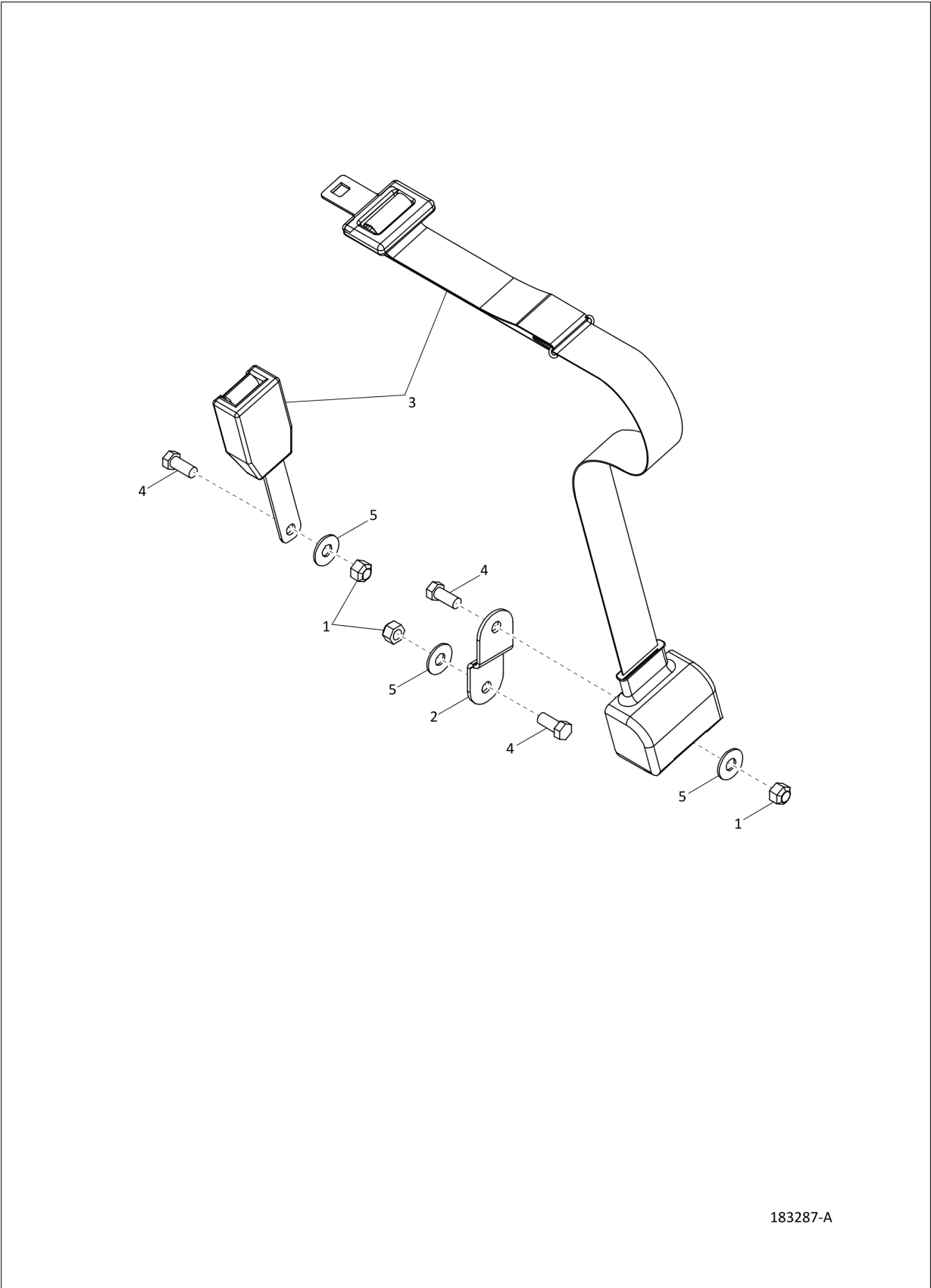
Doors Cab Door (Impact)





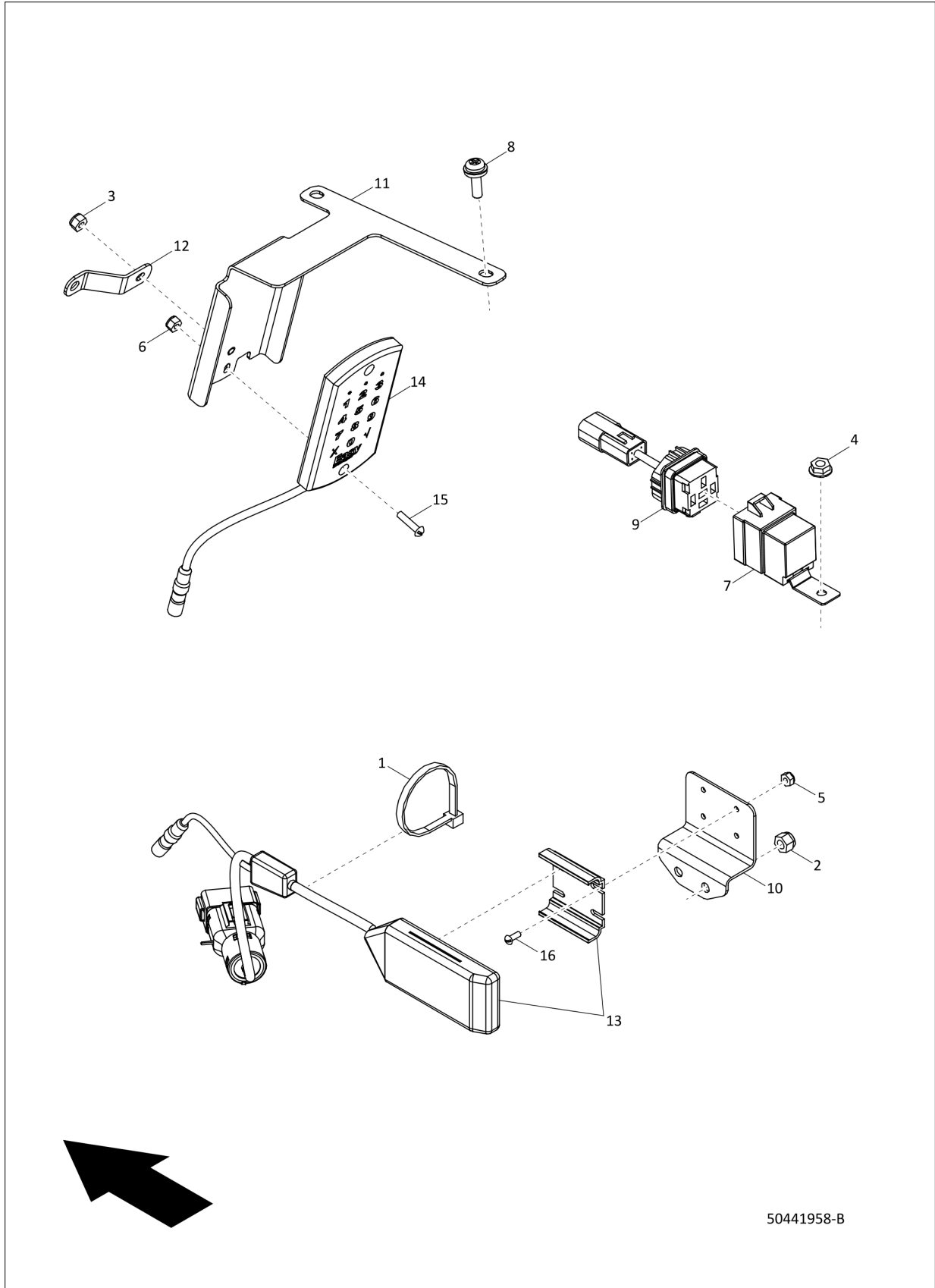
50441434-E-3

Interior Seat Belt



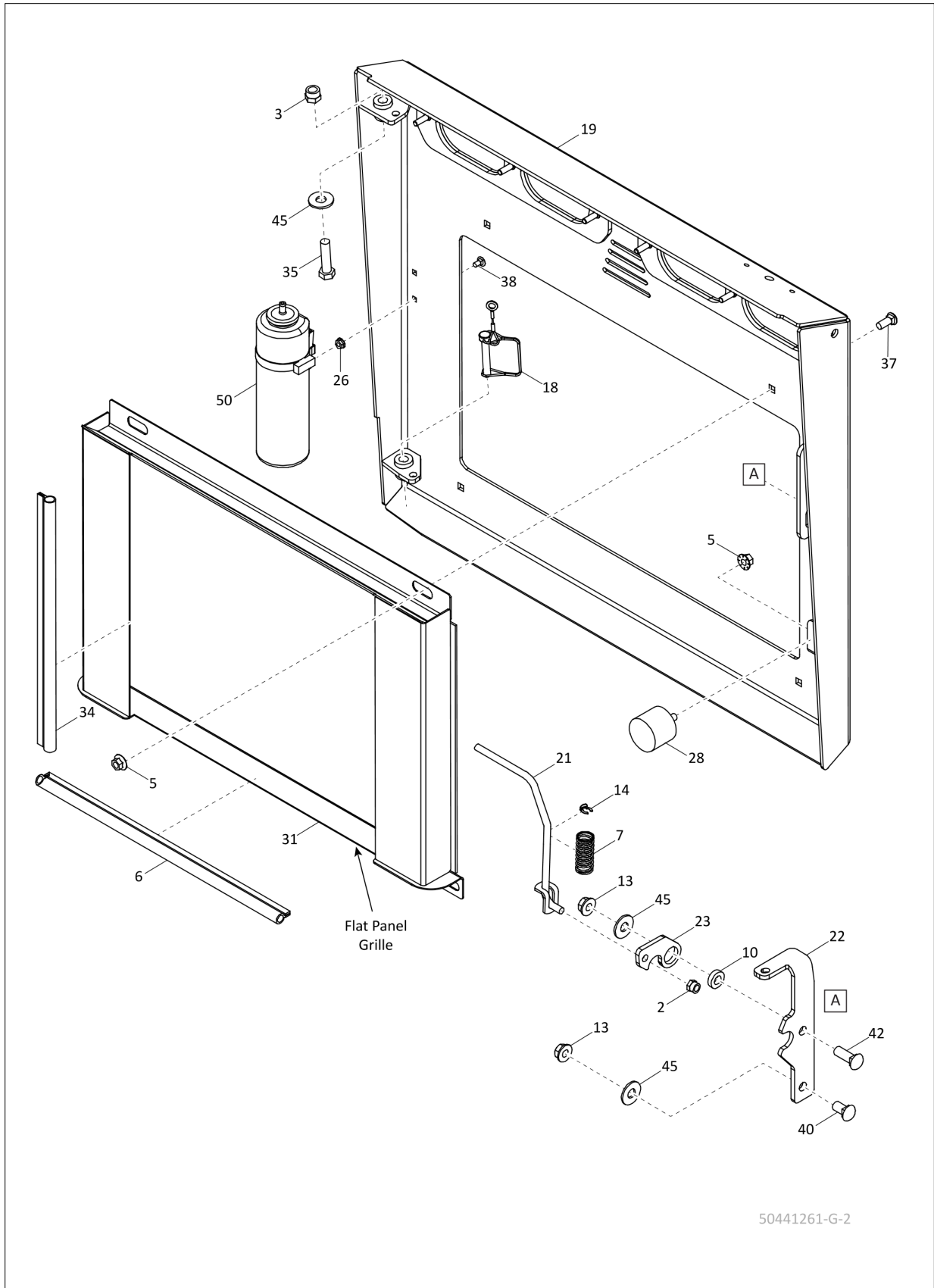
183287-A

Interior Easy Manager (Option)

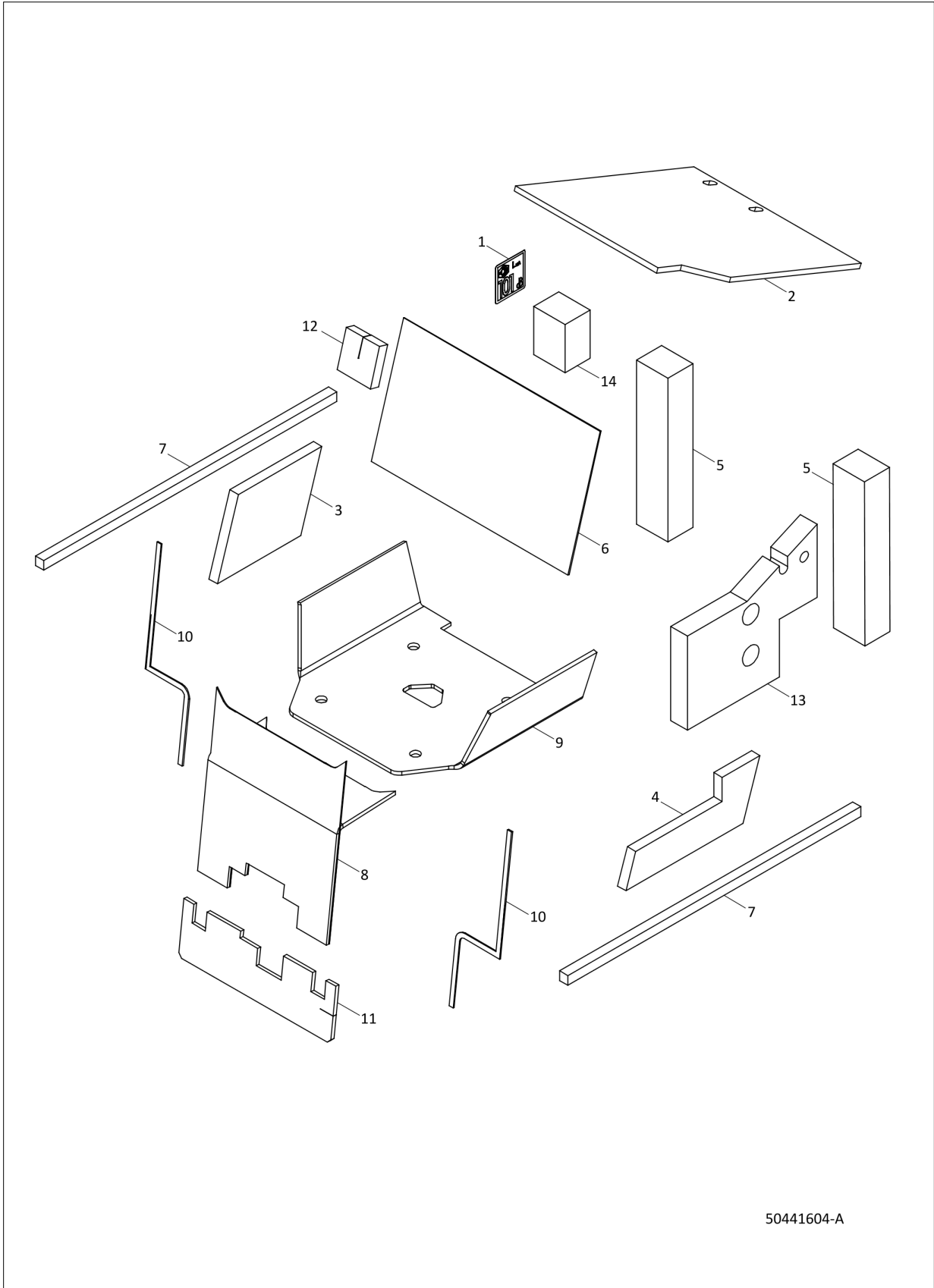


Item	Part No.	Name	Qty	Remarks
50	50351686	Fuel Separator	1	Domestic Only
51	186483	FUEL PUMP	1	
52	50280186	KEY/8001 (14603)	1	Not included with fuel cap.
60	271678	Tree Snap	6	
70	50292227	Hose/Fuel -05 x 31in	1	

90-CHASSIS Rear Door (DPF Engine) - Late Series



90-CHASSIS Sound Suppression (NON-DPF Engine)



135367	96, 98, 140	170-35004	154
136011	198	170-35005	154
136226	20, 28, 38, 42, 44, 94, 164, 168, 172	170-35007	156
136251	276, 278, 280, 282	170-35018	110
137061	220, 226	170-35025	110
137063	22, 26	170-35026	110
137113	166	170-35035	108
137204	26	170-35037	108
137418	162, 166	170-35039	108
137497	240	170-35050	110
137545	4	170-35051	106
137602	162, 166	170-35052	106
137603	162, 166	170-35071	248
137611	102	170-35072	214
137632	8	170-35075	218, 224
137634	8	170-35076	218
137637	4	170-35084	138
137639	2	170-35085	138
137646	50, 54	170-35087	124
137647	6	170-35088	124
137655	2	170-35089	122
137657	8	171629	48, 54
137660	8	175441	86, 88, 104
137661	2, 4	183723	132
137683	2	183814	250, 252, 254
137718	2, 4, 290	183934	186
137784	80	184007	246
137797	222, 232, 270, 272, 274	184016	244
137836	242, 244	184017	242
137844	2	184022	244
137845	6, 8	184023	270, 272, 274
137846	8	184034	242
137848	4	184036	242, 244
137859	106, 110	184101	66, 72, 78, 136
138104	32	184102	100, 146
139438	220, 226	184104	146
139530	186	184105	136
140880	102, 192, 202	184117	146
140931	270, 272, 274	184214	4
145833	208, 210	184289	38, 42, 44
160-32740	22, 26	184296	28, 30
160-32928	118, 124	184363	104, 144
160-32929	116, 122	184373	32, 34
160-32930	122, 124	184384	144
160-32931	124	184388	144
167754	18	184389	144
167755	18	184436	26
167788	18	184467	16
167789	18	184472	16
170-34425	262	184473	16
170-34590	198, 202	184474	16
170-34770	10, 12, 264, 268	184475	16
170-34981	119, 124	184476	16
170-34994	48, 50, 66, 72, 84, 138	184507	258
170-34999	38, 42, 44	184514	222
170-35000	108, 154	184629	170, 170, 174, 174
170-35003	154	184630	170, 170, 170, 174, 174, 174

CLICK HERE TO **DOWNLOAD** THE COMPLETE MANUAL

- Thank you very much for reading the preview of the manual.
- You can download the complete manual from: www.heydownloads.com by clicking the link below



- Please note: If there is no response to CLICKING the link, please download this PDF first and then click on it.

CLICK HERE TO **DOWNLOAD** THE COMPLETE MANUAL