

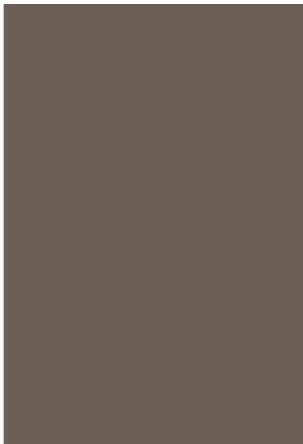
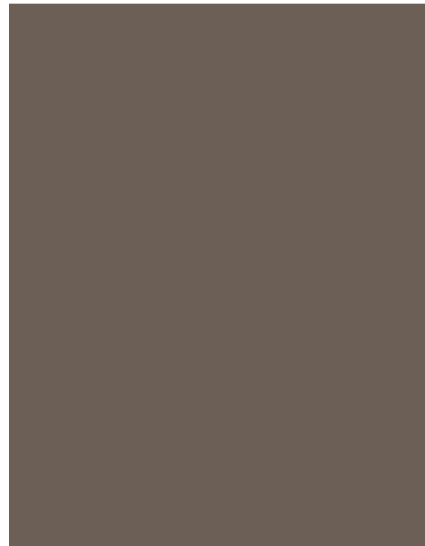
**GEHL**

Form No.  
913228  
Revision C  
Jan. 2008

# RS5-34

## Telescopic Handler

Serial Number 12101 thru 12947



Parts Manual

CLICK HERE TO **DOWNLOAD** THE COMPLETE MANUAL

- Thank you very much for reading the preview of the manual.
- You can download the complete manual from: [www.heydownloads.com](http://www.heydownloads.com) by clicking the link below



- Please note: If there is no response to CLICKING the link, please download this PDF first and then click on it.

CLICK HERE TO **DOWNLOAD** THE COMPLETE MANUAL

## DECAL LOCATIONS - FRAME AND BOOM

| Ref. No. | Part No. | Description                    | Qty. Req. | Ref. No. | Part No. | Description                  | Qty. Req. |
|----------|----------|--------------------------------|-----------|----------|----------|------------------------------|-----------|
| 01       | L70305   | DANGER-HANDS OUT . . . . .     | AR        | 10       | 072798   | COOLANT UNDER PRESSURE . . . | 1         |
| 02       | L65927   | WARNING-PINCH POINT . . . . .  | AR        | 11       | L65932   | WARNING-NO RIDERS . . . . .  | AR        |
| 03       | L65933   | WARNING-JUMP START . . . . .   | AR        | 12       | L63474   | BRAKE FLUID . . . . .        | AR        |
| 04       | 102027   | GEHL, 5" . . . . .             | AR        | 13       | 100359   | OPERATOR MANUAL WARNING . .  | 1         |
| 05       | L65937   | DYNATTACH DIAGRAM . . . . .    | AR        | 14       | L65928   | DANGER-PERSONNEL INJURY . AR |           |
| 06       | 184069   | GEHL, 6-3/4" . . . . .         | AR        |          |          | <i>(units without PWP)</i>   |           |
| 07       | 056859   | ANTI-FREEZE . . . . .          | AR        | 16       | 103229   | LUBE CHART . . . . .         | 1         |
| 08       | L62583   | HALF ZONE MARKER . . . . .     | 5         | 17       | 103328   | RS5-34 LEFT HAND . . . . .   | 1         |
| 09       | L67718   | NO. "0" EXTENSION MARKER . . . | 1         |          |          |                              |           |
|          | L67719   | NO. "1" EXTENSION MARKER . . . | 1         |          |          |                              |           |
|          | L67720   | NO. "2" EXTENSION MARKER . . . | 1         |          |          |                              |           |
|          | L67721   | NO. "3" EXTENSION MARKER . . . | 1         |          |          |                              |           |
|          | L67722   | NO. "4" EXTENSION MARKER . . . | 1         |          |          |                              |           |
|          | L67723   | NO. "5" EXTENSION MARKER . . . | 1         |          |          |                              |           |

***Top and Left Windows (Option)***

| <b>Ref. No.</b> | <b>Part No.</b> | <b>Description</b>                   | <b>Qty. Req.</b> | <b>Ref. No.</b> | <b>Part No.</b>   | <b>Description</b>             | <b>Qty. Req.</b> |
|-----------------|-----------------|--------------------------------------|------------------|-----------------|---|--------------------------------|------------------|
| 01 <sup>a</sup> | 103027          | GLASS, TOP . . . . .                 | 1                | 08              | 103025  | GLASS, LEFT REAR. . . . .      | 1                |
| 02              | L500038         | 5/16"-18 ACCORN NUT . . . . .        | AR               | 09              | 103026  | BULB SEAL, LEFT GLASS. . . . . | 1                |
| 03              | 102711          | WINDOW MOUNT. . . . .                | 2                | 10              | 102712  | WINDOW MOUNT. . . . .          | 2                |
| 04              | L500021         | GROMMET, 1/2"IDX1/4"GROOVE . . . . . | 4                |                 |   |                                |                  |
| 05              | L500042         | BUSHING, STEEL . . . . .             | 4                | <i>a</i>        | <i>Use P/N L500607 Adhesive Kit to attach top glass to cab.</i> |                                |                  |
| 06              | 651641          | 5/16" FLAT WASHER (BLACK). . . . .   | 4                |                 |   |                                |                  |
| 07              | 651639          | 5/16"-18X1" BUTTN HD BOLT . . . . .  | 4                |                 |   |                                |                  |

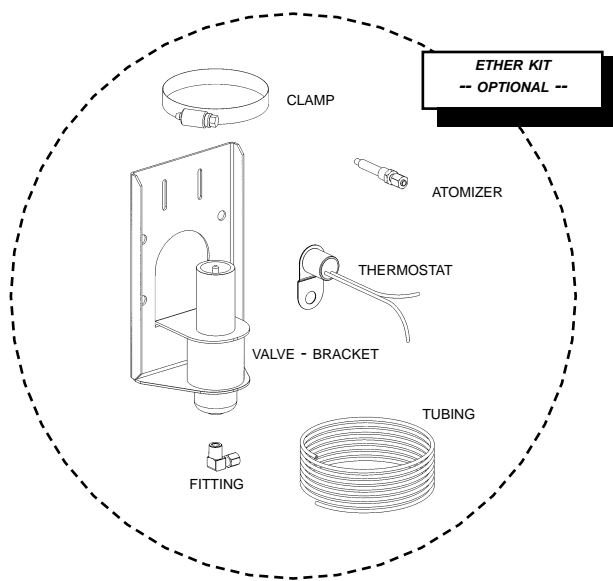
## Seat

| Ref. No.        | Part No. | Description                        | Qty. Req. | Ref. No.        | Part No. | Description  | Qty. Req. |
|-----------------|----------|------------------------------------|-----------|-----------------|----------|--|-----------|
| 01              | 100135   | SEAT, OPERATOR (w/armrest) . . . . | 1         | 10 <sup>a</sup> | 100071   | SEAT RISER . . . . .   | 1         |
|                 | L99454   | ARM REST (only) . . . . .          | 1         | 11              | L50823   | 5/16"-18X1" BOLT . . . . .   | AR        |
| 02              | L70634   | SEAT BELT . . . . .                | 1         | 12 <sup>b</sup> | L68496   | BELLOWS, SUSPENSION SEAT . .                                       | 1         |
|                 |          | (includes tethers)                 |           |                 |          | (includes seatbelt / tether bracket)                               |           |
| 03              | L510041  | 7/16"-20X1" BOLT . . . . .         | AR        | 13              | 103195   | PEDESTAL / BOLT ON SEAT . . . .                                    | 1         |
| 04              | L50196   | 7/16" FLAT WASHER . . . . .        | AR        |                 |          |  |           |
| 05              | L50517   | 7/16"-20 NYLON INSERT NUT . .      | AR        |                 |          |  |           |
| 06              | L70212   | BRACKET, TETHER . . . . .          | 2         | a               |          | Used for standard seat only. Not used with suspension seat option. |           |
| 07 <sup>a</sup> | L70201   | MOUNT, SEAT BELT . . . . .         | 1         |                 |          |  |           |
| 08              | L50141   | 5/16" FLAT WASHER . . . . .        | AR        |                 |          |  |           |
| 09              | L50056   | 5/6"-18 NYLON INSERT NUT . . .     | AR        | b               |          | Used for suspension seat option only.                              |           |



## Engine - External Components

| Ref. No.         | Part No. | Description                         | Qty. Req. | Ref. No.         | Part No. | Description  | Qty. Req. |
|------------------|----------|-------------------------------------|-----------|------------------|----------|--|-----------|
| 01               | NSS      | ENGINE, JD 4045T . . . . .          | 1         |                  |          | <b>-- ITEMS NOT SHOWN --</b>   |           |
| 02               | L41179   | RELAY, ENGINE STARTER . . . . .     | 1         | 00               | L65570   | ENGINE BLOCK HEATER (opt.) . . . . .   | 1         |
| 03               | L68571   | MOUNT, RELAY . . . . .              | 1         |                  |          | <b>(Throttle Cable)</b>  |           |
| 04               | L64437   | SENDER, WATER TEMP . . . . .        | 1         | 00 <sup>b</sup>  | L63420   | CABLE, THROTTLE . . . . .  | 1         |
| 05               | L69166   | FUEL LINE TUBE . . . . .            | 1         |                  |          | <b>(Electrical)</b>  |           |
| 06               | 103626   | SENDER, OIL PRESSURE . . . . .      | 1         | 00 <sup>a</sup>  | 101818   | HARNESS, TIER II . . . . .   | 1         |
| 07               | L68596   | ENGINE MOUNT (right) . . . . .      | 1         |                  |          | <b>(Engine Electrical)</b>   |           |
| 08               | L68595   | ENGINE MOUNT (left) . . . . .       | 1         | 00 <sup>af</sup> | 103862   | HARNESS, JD TIER II . . . . .  | 1         |
| 09               | L50305   | M16-2X35M BOLT GR8.8 . . . . .      | 4         | 00 <sup>af</sup> | 104024   | BRACKET, HARNESS MOUNT . . . . .   | 1         |
| 10               | L50319   | 5/8"-11X3-1/2" BOLT . . . . .       | 2         |                  | L50952   | M10X1.5 BOLT . . . . .   | 1         |
| 11               | L64124   | MOUNT, VIBRATION ISOLATOR . . . . . | 2         |                  | 654028   | 7/16" LOCK WASHER . . . . .  | 1         |
| 12               | L64197   | WASHER, ISOLATOR MOUNT . . . . .    | 2         |                  |          | <b>(Ether - Optional)</b>  |           |
| 13               | L520007  | 5/8"-11 NYLON INSERT NUT . . . . .  | 2         | 00               | 102926   | HARNESS, ETHER KIT . . . . .   | 1         |
| 14               | L69718   | ADAP, M18 -6NPTF STR . . . . .      | 2         |                  |          | (includes 21" BLU/WHT jumper wire)   |           |
| 15               | L68592   | SHUTOFF, MANUAL/WATER . . . . .     | 1         | 00 <sup>d</sup>  | L70629   | ETHER KIT (optional) . . . . .   | 1         |
| 16               | L68591   | STEM, HOSE . . . . .                | 1         |                  |          | (includes: thermostat, atomizer, valve bracket, fitting, clamp and tubing. Does not include ether canister.) |           |
| 17               | L68613   | FAN BELT . . . . .                  | 1         | 00               | L71081   | SWITCH, ROCKER (ether) . . . . .   | 1         |
| 18 <sup>c</sup>  | L447005  | ADAP, M18 10 BEAD STR . . . . .     | 1         |                  |          | (located in dash panel)  |           |
| 19               | L68604   | BRACKET, ALTERNATOR . . . . .       | 1         |                  |          | <b>(Fuel Line)</b>   |           |
| 20 <sup>be</sup> | L66606   | BRACKET, THROTTLE . . . . .         | 1         | 00               | L65583   | HOSE END, -5 JICF . . . . .  | 1         |
| 21 <sup>b</sup>  | L64664   | COUPLER, ROD TO CABLE . . . . .     | 1         | 00               | L68619   | HOSE, 3/8" X 73" (supply) . . . . .  | 1         |
|                  | L50050   | #10-32 NUT . . . . .                | 2         | 00               | 102861   | HOSE, 1/4" X 73" (return) . . . . .  | 1         |
| 22 <sup>b</sup>  | L64663   | ROD, THROTTLE EXTEND . . . . .      | 1         |                  |          |  |           |
| 23 <sup>b</sup>  | L580009  | BALL JOINT #10-32 . . . . .         | 1         |                  |          |  |           |
|                  | L50050   | #10-32 NUT . . . . .                | 1         |                  |          |  |           |
| 24               | 104340   | ADAP, 5MJ -2MP90 . . . . .          | 1         |                  |          |  |           |
| 25               | 104341   | ADAP, -6 PUSHON -5FEM JIC . . . . . | 1         |                  |          |  |           |
| 26               | NSS      | FUEL TRANSFER PUMP . . . . .        | 1         |                  |          |  |           |



- a When equipped with a 115 HP Tier II engine. (equipped with an electronic throttle pedal)
- b When equipped with a 99 HP Tier II engine. (equipped with a manual throttle pedal)
- c Replaces item 16 and (1) of item 14.
- d Thermostat is located on engine block, and switch is located on dash.
- e Used with 99 hp TIER II engine with a manual throttle pedal. For 115 TIER II engine with electronic throttle pedal substitute Harness mount bracket P/N 102450.
- f S/N 12541 and Up

**Converter Housing Group**

| Ref. No. | Part No. | Description                            | Qty. Req. | Ref. No. | Part No. | Description          | Qty. Req. |
|----------|----------|--|-----------|----------|----------|----------------------|-----------|
| 01       | L99286   | HOUSING/CONVERTER                      | 1         | 07       | L99262   | PLUG                 | 1         |
| 02       | NSS      | PLUG<br><i>(includes item 3)</i>       | 4         | 08       | L99285   | SCREW                | 6         |
| 03       | L99284   | O-Ring/Plug<br><i>(part of item 2)</i> | 4         | 09       | L99260   | SCREW                | 3         |
| 04       | L99246   | PLUG                                   | 1         | 10       | L99261   | SCREW                | 1         |
| 05       | NSS      | PLUG<br><i>(includes item 6)</i>       | 1         | 11       | L99029   | WASHER/LOCK          | 10        |
| 06       | L99284   | O-Ring/Plug<br><i>(part of item 5)</i> | 1         | 12       | L99260   | SCREW                | 13        |
|          |          |  |           | 13       | L99029   | WASHER/LOCK          | 13        |
|          |          |  |           | 14       | L98938   | GASKET/HSG. TO PLATE | 1         |
|          |          |  |           | 15       | L99249   | PLUG/TEMP PICKUP     | 1         |

*Reverse Idler Group*

| Ref. No. | Part No. | Description                 | Qty. Req. | Ref. No. | Part No. | Description    | Qty. Req. |
|----------|----------|-----------------------------|-----------|----------|----------|----------------|-----------|
| 01       | L98229   | SHAFT IDLER & PILOT .....   | 1         | 05       | L98232   | END PLATE..... | 1         |
| 02       | L98228   | RING/SNAP.....              | 1         | 06       | L99031   | CAPSCREW ..... | 1         |
| 03       | L98231   | BEARING/REV IDLR GEAR ..... | 1         | 07       | L99032   | WASHER.....    | 1         |
| 04       | L98230   | WASHER/THRUST .....         | 1         | 08       | L98233   | END PLATE..... | 1         |

***Control Group***

| <b>Ref. No.</b> | <b>Part No.</b> | <b>Description</b>                 | <b>Qty. Req.</b> | <b>Ref. No.</b> | <b>Part No.</b> | <b>Description</b>              | <b>Qty. Req.</b> |
|-----------------|-----------------|------------------------------------|------------------|-----------------|-----------------|---------------------------------|------------------|
| 01              | 102950          | SOLENOID, W / DEUTSCH CON. . . . . | 4                | 07              | 102956          | O-RING, 18.0 X 2.20MM . . . . . | 1                |
|                 |                 | <i>(includes items 2 thru 5)</i>   |                  |                 |                 | <i>(included with item 6)</i>   |                  |
| 02              | 102951          | O-RING, 21.5 X 1.5MM . . . . .     | 4                | 08              | 102952          | O-RING, 15.1 X 1.60MM . . . . . | 1                |
|                 |                 | <i>(included with item 1)</i>      |                  |                 |                 | <i>(included with item 6)</i>   |                  |
| 03              | 102952          | O-RING, 15.1 X 1.60MM . . . . .    | 4                | 09              | 102954          | O-RING, 12.1 X 1.60MM . . . . . | 1                |
|                 |                 | <i>(included with item 1)</i>      |                  |                 |                 | <i>(included with item 6)</i>   |                  |
| 04              | 102953          | O-RING, 14.1 X 1.60MM . . . . .    | 4                | 10              | 102957          | CLAMP, SOLENOID . . . . .       | 6                |
|                 |                 | <i>(included with item 1)</i>      |                  | 11              | 102958          | CAPSCREW . . . . .              | 12               |
| 05              | 102954          | O-RING, 12.1 X 1.60MM . . . . .    | 4                | 12              | 102959          | WASHER, PLAIN. . . . .          | 12               |
|                 |                 | <i>(included with item 1)</i>      |                  |                 |                 |                                 |                  |
| 06              | 102955          | PLUG, SOLENOID BORE . . . . .      | 1                |                 |                 |                                 |                  |
|                 |                 | <i>(includes items 7, 8 and 9)</i> |                  |                 |                 |                                 |                  |

CLICK HERE TO **DOWNLOAD** THE COMPLETE MANUAL

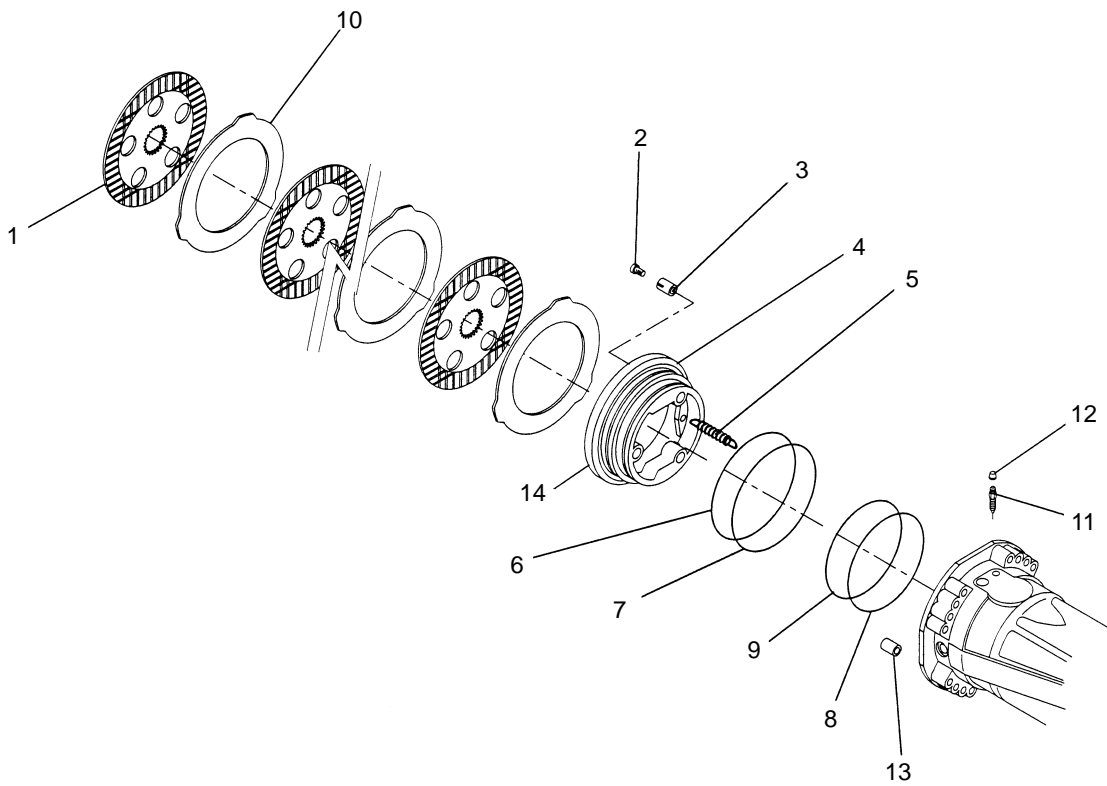
- Thank you very much for reading the preview of the manual.
- You can download the complete manual from: [www.heydownloads.com](http://www.heydownloads.com) by clicking the link below



- Please note: If there is no response to CLICKING the link, please download this PDF first and then click on it.

CLICK HERE TO **DOWNLOAD** THE COMPLETE MANUAL

**Brake Group (Rear Axle)**



| Ref. No. | Part No. | Description              | Qty. Req. | Ref. No. | Part No. | Description                       | Qty. Req. |
|----------|----------|--------------------------|-----------|----------|----------|-----------------------------------|-----------|
| 01       | L500527  | BRAKE DISC . . . . .     | 6         | 09       | L500535  | O-RING . . . . .                  | 2         |
| 02       | L500528  | ADJUSTING BOLT . . . . . | 6         | 10       | L500536  | INTERMEDIATE BRAKE DISC . . . . . | 8         |
| 03       | L500529  | SPRING . . . . .         | 6         | 11       | L98430   | BLEEDING BOLT . . . . .           | 2         |
| 04       | NSS      | PISTON . . . . .         | 2         | 12       | L500496  | PLUG . . . . .                    | 2         |
| 05       | L500531  | SPRING . . . . .         | 6         | 13       | L500537  | DOWEL . . . . .                   | 2         |
| 06       | L500532  | BACK-UP RING . . . . .   | 2         | 14       | L500538  | PISTON . . . . .                  | 2         |
| 07       | L500533  | O-RING . . . . .         | 2         |          |          | (includes items 4-9)              |           |
| 08       | L500534  | BACK-UP RING . . . . .   | 2         |          |          |                                   |           |

## Outer Boom Section

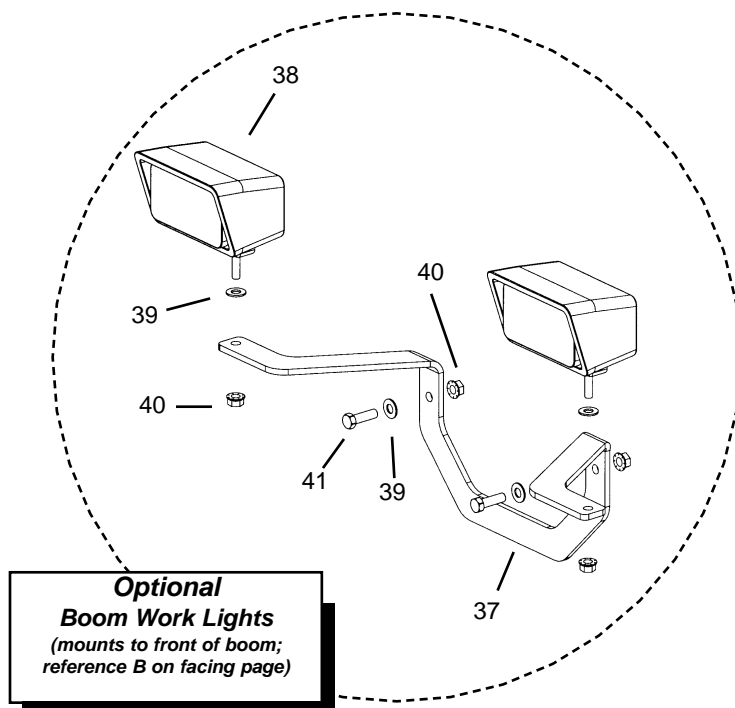
| Ref. No. | Part No. | Description                          | Qty. Req. | Ref. No.        | Part No. | Description                        | Qty. Req. |
|----------|----------|--------------------------------------|-----------|-----------------|----------|------------------------------------|-----------|
| 01       | L68350   | OUTER SECT. WELDMNT . . . . .        | 1         | 24              | L62715   | FLAT-BOLT LOCK . . . . .           | 2         |
| 02       | L70242   | 5/16"-18 NUTSERT . . . . .           | 2         | 25              | L50251   | 3/8"-16X3/4" BOLT . . . . .        | 6         |
| 03       | L65640   | PLATE, BOOM ANGLE IND. . . . .       | 1         | 26              | L50367   | 3/8"-16X1" BOLT . . . . .          | 2         |
| 04       | L50141   | 5/16" FLAT WASHER . . . . .          | 2         | 27              | L50147   | 3/8" LOCK WASHER . . . . .         | 12        |
| 05       | L52048   | 5/16"-18X1" BTNHD BOLT . . . . .     | 2         | 28              | L61709   | SLIDE PAD 5/8"X3"X4" . . . . .     | 4         |
| 06       | L65638   | INCLINOMETER-ANGLE IND. . . . .      | 1         | 29              | L62733   | SHIM .06"X3"X4" . . . . .          | 2         |
| 07       | L50491   | #8X5/8" RND HD MACH.SCREW . . . . .  | 2         | 30              | L50403   | 3/8"-16X1-1/4" BOLT . . . . .      | 4         |
| 08       | L50380   | 1/2"-20X1-1/4" BOLT . . . . .        | 2         | 31              | L64143   | SHIM 1/2"X3"X4" . . . . .          | 2         |
| 09       | L50152   | 1/2" LOCK WASHER . . . . .           | 2         | 32              | L50261   | 3/8"-16X1-1/2" BOLT . . . . .      | 4         |
| 10       | L50612   | PIN, COTTER 1/16"X3/4" . . . . .     | 6         | 33              | L63167   | PIN, CLEVIS ADJUSTMENT . . . . .   | 2         |
| 11       | L63169   | PIN, OUTER BOOM CLEVIS . . . . .     | 1         | 34 <sup>a</sup> | L63166   | CLEVIS, CHAIN ADJUSTMENT . . . . . | 2         |
| 12       | L63173   | CLEVIS, OUTER BOOM . . . . .         | 1         | 35              | L50086   | 3/4"-10 NUT . . . . .              | 4         |
| 13       | L63131   | REAR OUTER COVER . . . . .           | 1         | 36              | L71748   | TOP CLAMP PLATE . . . . .          | 1         |
| 14       | L50226   | 5/16"-18X1" SELF TAP SCREW . . . . . | 4         | 37 <sup>b</sup> | 103333   | BRACKET, LIGHT MOUNT . . . . .     | 1         |
| 15       | L68006   | BUSHING 2.5IDX2.75ODX4" . . . . .    | 2         | 38 <sup>b</sup> | L70040   | WORKLIGHT . . . . .                | 2         |
| 16       | L63017   | LIFT CYL. PIVOT BUSHING . . . . .    | 2         | 39 <sup>b</sup> | L50145   | 3/8" FLAT WASHER . . . . .         | 4         |
| 17       | L520004  | 5/16"-18 NYLON INSERT NUT . . . . .  | 4         | 40 <sup>b</sup> | L50061   | 3/8"-16 WHIZ LOCK NUT . . . . .    | 4         |
| 18       | L50878   | 5/16"-18X3" STUD . . . . .           | 4         | 41 <sup>b</sup> | L50403   | 3/8"-16X1-1/4" BOLT . . . . .      | 2         |
| 19       | L68358   | CUSHION TOP PLATE . . . . .          | 2         | 42              | 103330   | CLAMP, BOOM HOSES . . . . .        | AR        |
| 20       | L68348   | .88 HOSE CUSHION SINGLE . . . . .    | 4         | 43              | 103331   | CLAMP, BOOM W/INSERT . . . . .     | AR        |
| 21       | L63099   | PIN, PIVOT PIN . . . . .             | 1         |                 |          |                                    |           |
|          | L50462   | CAPSCREW 1/2-13X5 . . . . .          | 1         |                 |          |                                    |           |
|          | L520019  | NYLON INSERT NUT 1/2-13 . . . . .    | 1         |                 |          |                                    |           |
| 22       | L63694   | EXT. CYL. BRACKET . . . . .          | 1         |                 |          |                                    |           |
|          | L50367   | 3/8"-16X1" BOLT . . . . .            | 2         |                 |          |                                    |           |
|          | L50147   | 3/8" LOCK WASHER . . . . .           | 2         |                 |          |                                    |           |
| 23       | L61708   | SLIDE PAD 5/8"X4"X6" . . . . .       | 2         |                 |          |                                    |           |

**--- ITEMS NOT SHOWN ---**

00<sup>b</sup> L70462 WIRE HARNESS, WORKLIGHT . . . 1

<sup>a</sup> Refer to Inner Boom Section for boom chains.

<sup>b</sup> When equipped with Optional Boom Work Lights.  
(Refer to illustration below.)



**Steer Motor and Steer Select Valve**

| Ref. No. | Part No. | Description                | Qty. Req. | Ref. No. | Part No. | Description             | Qty. Req. |
|----------|----------|----------------------------|-----------|----------|----------|-------------------------|-----------|
| 01       | 101882   | STEER MOTOR                | 1         | 09       | L444002  | ADAP, -6ORM -6JICM STR. | 2         |
| 02       | L62842   | ADAP, -4ORM -6JICM 90 DEG. | 1         | 10       | L69936   | HOSE, -6 A8/DS6 100"    | 1         |
| 03       | L69930   | HOSE, -4 A6/A6 46"         | 1         | 11       | L69936   | HOSE, -6 A8/DS6 100"    | 1         |
| 04       | NA       |                            | 0         | 12       | L63383   | HOSE, -6 A6/DS8 52"     | 1         |
| 05       | L69747   | VALVE, STEER SELECT        | 1         | 13       | L63387   | HOSE, -6 A8/DS8 67"     | 1         |
|          | L50535   | 1/4"-20X3" BOLT            | 2         | 14       | L63384   | HOSE, -6 A8/DS8 40"     | 1         |
|          | L520003  | 1/4"-20 NYLON INSERT NUT   | 2         | 15       | L68805   | HOSE, -6 A6/DS6 70"     | 1         |
| 06       | L445004  | ADAP, -6ORM -6JICM 45 DEG. | 2         | 16       | L64524   | VALVE, CHECK, -8ORM     | 1         |
| 07       | 103319   | HOSE, -6 A8/A6 22"         | 1         | 17       | L444004  | ADAP, -8ORM -8JICM STR. | 3         |
| 08       | NA       |                            | 0         |          |          |                         |           |

**HOSE LOCATOR**

|    |                             |   |
|----|-----------------------------|---|
| 03 | STEER MOTOR PORT "LS"       | HYDRAULIC PUMP (item #8 on previous page) |
| 07 | STEER SELECT VALVE PORT "T" | STEER CYLINDER, FRONT AXLE RIGHT SIDE     |
| 10 | STEER SELECT VALVE PORT "B" | STEER CYLINDER, REAR AXLE RIGHT SIDE      |
| 11 | STEER SELECT VALVE PORT "A" | STEER CYLINDER, REAR AXLE LEFT SIDE       |
| 12 | STEER MOTOR PORT "R"        | STEER SELECT VALVE PORT "P"               |
| 13 | STEER MOTOR PORT "L"        | STEER CYLINDER, FRONT AXLE LEFT SIDE      |
| 14 | STEER MOTOR PORT "P"        | HYDRAULIC PUMP                            |
| 15 | STEER MOTOR PORT "T"        | HYDRAULIC TANK RETURN MANIFOLD            |

***Main Valve / Radio Remote Option***

| <b>Ref. No.</b> | <b>Part No.</b> | <b>Description</b>           | <b>Qty. Req.</b> | <b>Ref. No.</b> | <b>Part No.</b> | <b>Description</b>           | <b>Qty. Req.</b> |
|-----------------|-----------------|------------------------------|------------------|-----------------|-----------------|------------------------------|------------------|
| 01              | L68804          | HOSE, -4 A6/DS6 26" .....    | 4                | 06              | L444012         | ADAP, -4ORM -6JICM STR. .... | 5                |
| 02              | L69905          | HOSE, -6 A6/A6 130" .....    | 1                | 07              | 103413          | MANIFOLD, RADIO REMOTE ....  | 1                |
| 03              | L69905          | HOSE, -6 A6/A6 130" .....    | 1                | 08              | 103425          | MOUNT, RADIO REMOTE .....    | 1                |
| 04              | 103505          | HOSE, -4 H6/A6 109" .....    | 1                | 09              | L69902          | HOSE, -6 A6/H6 20" .....     | 4                |
| 05              | L62842          | ADAP, -4ORM -6JICM 90° ..... | 6                | 10              | L68810          | HOSE, -4 A6/A6 96" .....     | 4                |

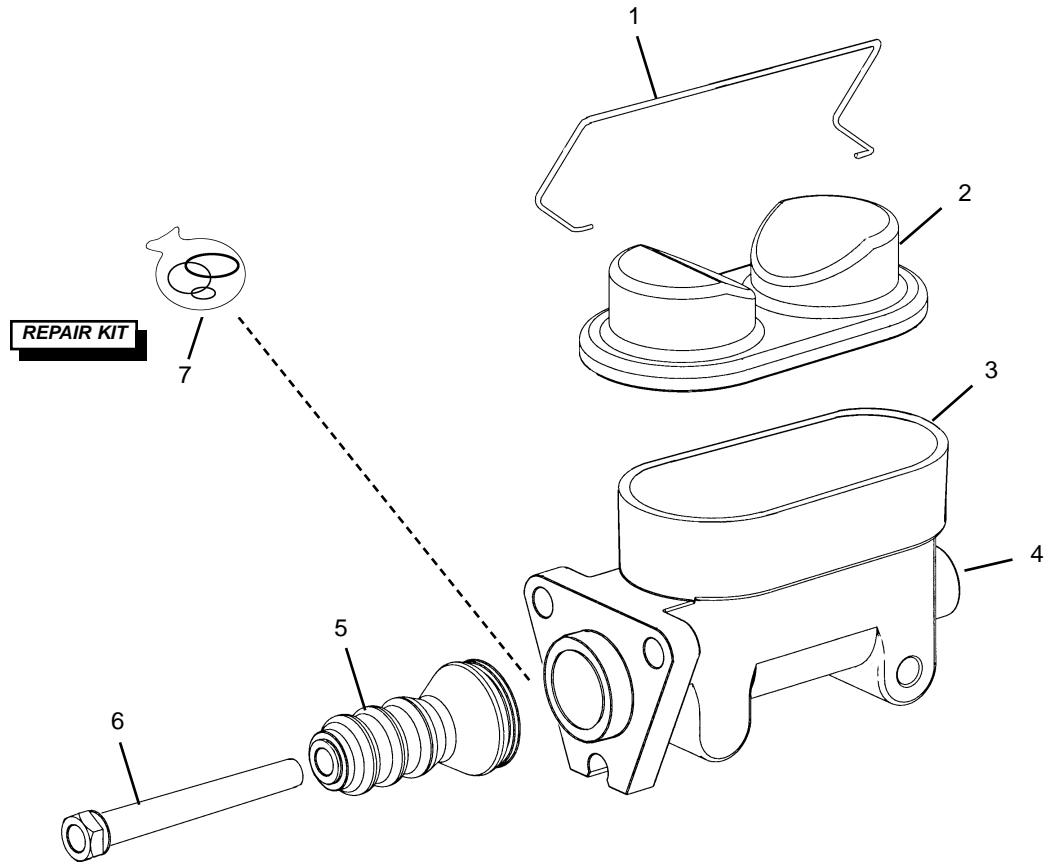
***Hydraulic Controls -Radio Remote Option***

| <b>Ref. No.</b> | <b>Part No.</b> | <b>Description</b>                    | <b>Qty. Req.</b> | <b>Ref. No.</b> | <b>Part No.</b> | <b>Description</b>                  | <b>Qty. Req.</b> |
|-----------------|-----------------|---------------------------------------|------------------|-----------------|-----------------|-------------------------------------|------------------|
| 01              | 103262          | CONTROLLER, TILT/LEVEL . . . . .      | 1                | 10              | 103318          | HOSE, -4 A6/DS6 52" . . . . .       | 1                |
| 02              | 103263          | CONTROLLER, LIFT/EXTEND . . . . .     | 1                | 11              | L63381          | HOSE, -4 A6/A6 15" . . . . .        | 1                |
| 03              | L444002         | ADAP, -6ORM -6JICM STR . . . . .      | AR               | 12              | 103368          | HOSE, -6 A6/DS6 52" . . . . .       | 1                |
| 04              | L446049         | ADAP, -6 SWIVEL RUN TEE . . . . .     | AR               | 13              | L69905          | HOSE, -4 A6/A6 130" . . . . .       | 1                |
| 05              | L60653          | ADAP, -6JICM -6JICFS 90 DEG . . . . . | AR               | 14              | L69905          | HOSE, -4 A6/A6 130" . . . . .       | 1                |
| 06              | L445003         | ADAP, -6ORM -6JICM 90 DEG . . . . .   | AR               | 15              | 102313          | MANIFOLD, JOYSTICK RELIEF . . . . . | 1                |
| 07              | L69904          | HOSE, -4 A6/DS6 20" . . . . .         | 1                | 16              | 103505          | HOSE, -4 A6/H6 109" . . . . .       | 1                |
| 08              | 103318          | HOSE, -4 A6/DS6 52" . . . . .         | 1                | 17              | 103315          | HOSE, -4 A6/A6 60" . . . . .        | 1                |
| 09              | 102321          | MANIFOLD, PWP JOYSTICK . . . . .      | 1                |                 |                 |                                     |                  |

**Boom Extend Cylinder Group**

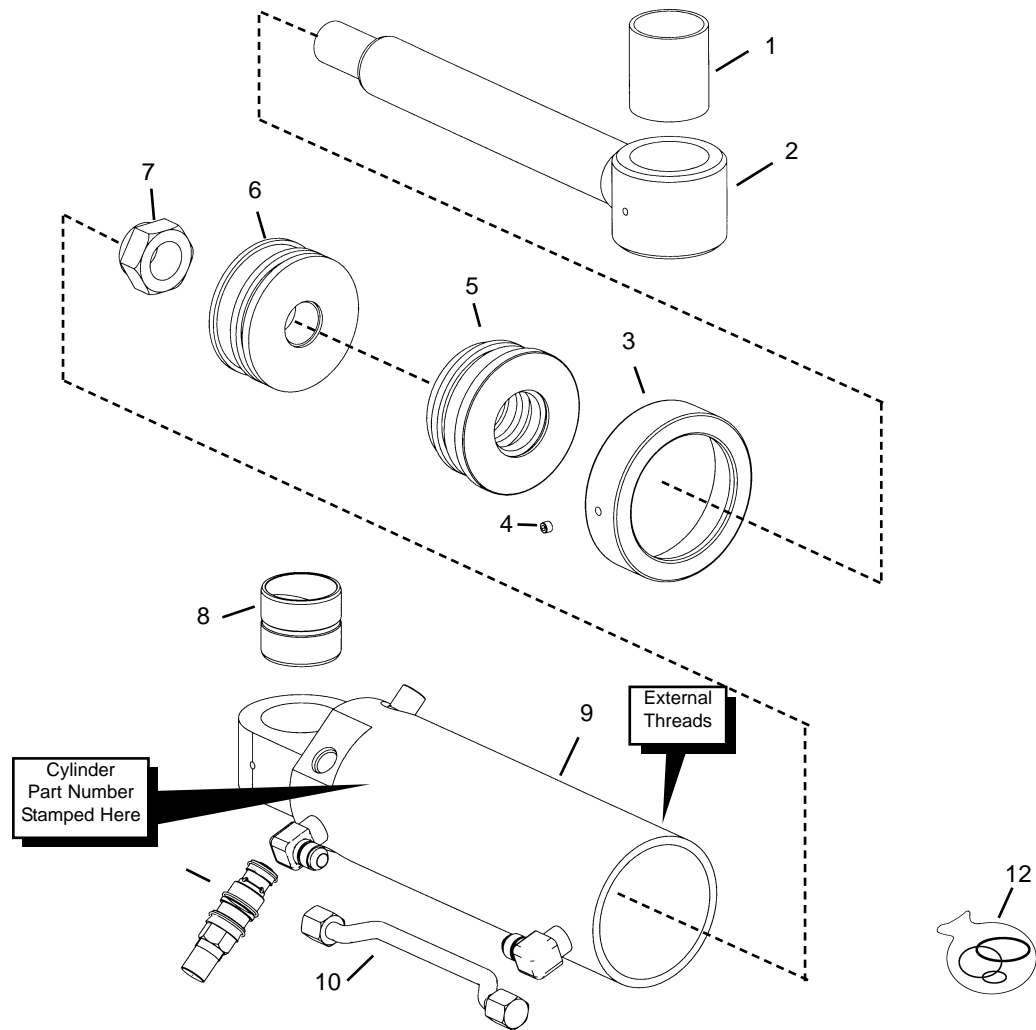
| Ref. No. | Part No. | Description                                 | Qty. Req. | Ref. No. | Part No. | Description  | Qty. Req. |
|----------|----------|---|-----------|----------|----------|--|-----------|
| 01       | Note a   | CYLINDER, EXTEND . . . . .                  | 1         | 14       | L68814   | HOSE, -8 A10/DS10 15" . . . . .  | 1         |
| 02       | L443022  | ADAP, -8ORM -8JICM 90 LONG. . . . .         | 2         | 15       | L444010  | ADAP, -10ORM -10JICM. . . . .  | 2         |
| 03       | L520005  | 3/8"-16 NYLON INSERT NUT . . . . .          | 2         | 16       | L443011  | ADAP, -10JICM 90 BLKHEAD. . . . .  | 2         |
| 04       | L63273   | PIN, CYLINDER ( <i>butt end</i> ) . . . . . | 1         | 17       | L63694   | EXTEND CYL. BRACKET. . . . .   | 1         |
| 05       | L50273   | 3/8"-16X2-3/4" BOLT . . . . .               | 2         |          | L50367   | 3/8"-16X1" BOLT . . . . .  | 2         |
| 06       | L63017   | BUSHING ( <i>butt end</i> ) . . . . .       | 1         |          | L50147   | 3/8" LOCK WASHER. . . . .  | 2         |
| 07       | L68348   | 7/8" HOSE CUSHION, SINGLE . . . . .         | 4         | 18       | L63018   | BUSHING ( <i>rod end</i> ). . . . .  | 1         |
| 08       | L68356   | CUSHION TOP PLATE . . . . .                 | 2         | 19       | L63272   | PIN, CYLINDER ( <i>rod end</i> ). . . . .  | 1         |
| 09       | L50878   | 5/-16"-18X3" STUD . . . . .                 | 4         |          |          |  |           |
| 10       | L520004  | 5/16"-18 NYLON INSERT NUT . . . . .         | 4         |          |          |  |           |
| 11       | L68352   | HOSE, -8 A8/DS10 73" . . . . .              | 1         | a        |          | <i>Refer to Hydraulics Component section for a listing of hydraulic cylinders.</i> |           |
| 12       | L68352   | HOSE, -8 A8/DS10 73" . . . . .              | 1         |          |          |  |           |
| 13       | L68814   | HOSE, -8 A10/DS10 15" . . . . .             | 1         |          |          |  |           |

**Brake Valve**



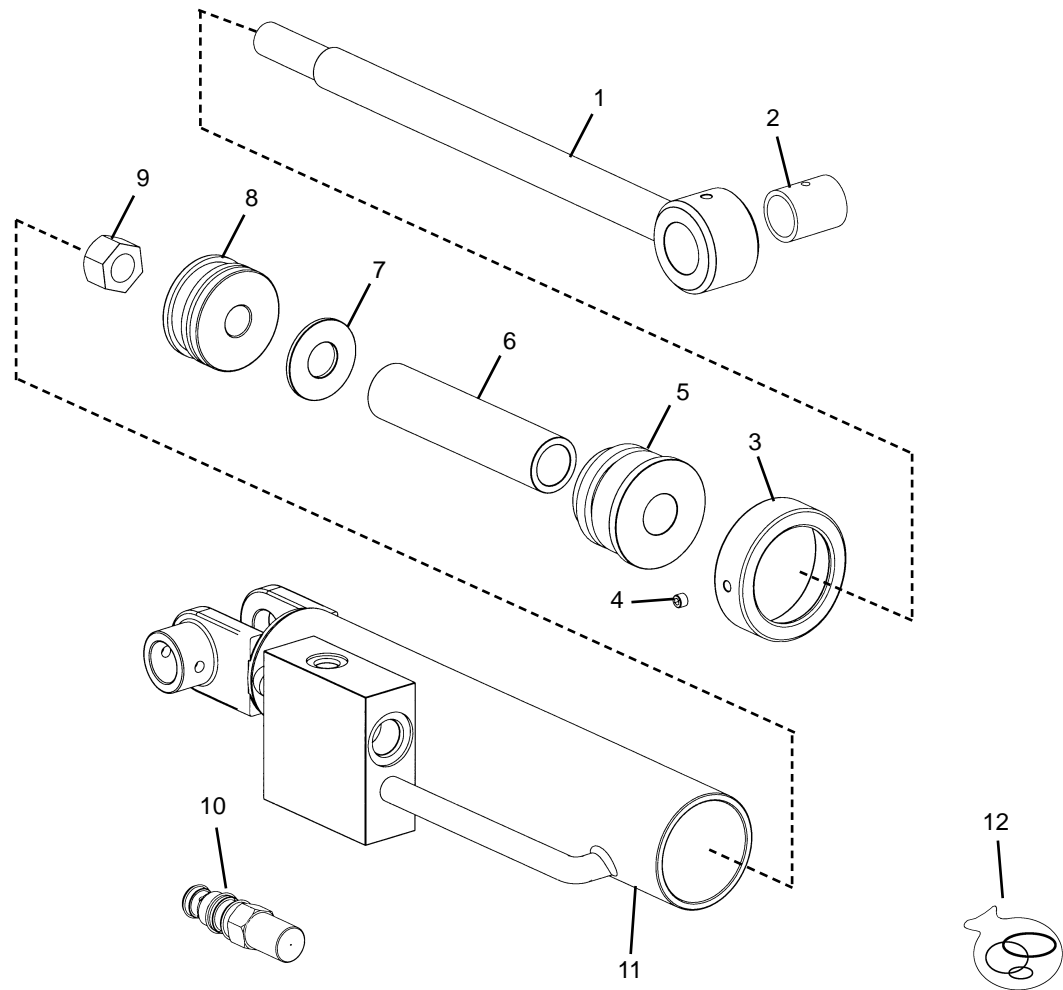
| Ref. No. | Part No. | Description   | Qty. Req. | Ref. No.        | Part No. | Description  | Qty. Req. |
|----------|----------|---|-----------|-----------------|----------|--|-----------|
| 00       | L63363   | BRAKE VALVE ASY. (Complete)....<br>(Unit requires two brake valves) |           | 06              | NSS      | PUSH ROD .....   | 1         |
| 01       | NSS      | BAIL WIRE.....  | 1         | 07 <sup>a</sup> | L98537   | REPAIR KIT.....<br>(Items included are not shown)  | 1         |
| 02       | L98533   | COVER .....   | 1         |                 |          |  |           |
|          | L98534   | DIAPHRAM GASKET.....  | 1         |                 |          |  |           |
| 03       | NSS      | BODY  |           | a               |          | Repair kit includes seals, cups, return spring,<br>second arm piston, and snap ring. Piston is not<br>included or sold seperately. |           |
| 04       | NSS      | TUBE SEAT (not shown).....  | 1         |                 |          |  |           |
| 05       | L98536   | RUBBER BOOT .....   | 1         |                 |          |  |           |

**Frame Level Cylinder (Stamped w/PN L63015)**



| Ref. No. | Part No. | Description                          | Qty. Req. | Ref. No. | Part No. | Description                      | Qty. Req. |
|----------|----------|--------------------------------------|-----------|----------|----------|----------------------------------|-----------|
| 00       | L63015   | FRAME LEVEL CYL. (Complete) . . .    | 1         | 07       | L99405   | 1-1/4"-12 UNF LOCKNUT . . . . .  | 1         |
|          |          | (part number is stamped on cylinder) |           | 08       | L64367   | BUSHING 2.0X2.25X2.0" . . . . .  | 1         |
| 01       | L98503   | ROD . . . . .                        | 1         | 09       | NSS      | TUBE WELDMENT . . . . .          | 1         |
| 02       | L63016   | BUSHING . . . . .                    | 1         | 10       | L98509   | OIL LINE TUBE ASSEMBLY . . . . . | 1         |
| 03       | L98547   | HEAD GLAND CAP . . . . .             | 1         | 11       | L70495   | COUNTER BALANCE VALVE . . . . .  | 2         |
| 04       | L99857   | 5/16"-18x1/4" SET SCREW . . . . .    | 1         |          | L97889   | SEAL KIT (CBV) . . . . .         | 1         |
| 05       | L98507   | HEAD GLAND . . . . .                 | 1         | 12       | L98506   | CYLINDER SEAL KIT . . . . .      | 1         |
| 06       | L98550   | PISTON . . . . .                     | 1         |          |          | (Items included are not shown.)  |           |

**Rotate Carriage Cylinder**



| Ref. No. | Part No. | Description                   | Qty. Req. | Ref. No. | Part No. | Description                    | Qty. Req. |
|----------|----------|-------------------------------|-----------|----------|----------|--------------------------------|-----------|
| 00       | L63594   | ROTATE CYLINDER (Complete) .. | 1         | 07       | L99175   | SUPPORT WASHER.....            | 1         |
| 01       | L99168   | ROD WELDMENT.....             | 1         | 06       | L98921   | PISTON.....                    | 1         |
| 02       | L63593   | BUSHING.....                  | 1         | 09       | L500367  | 3/4"-16 UN LOCKNUT.....        | 1         |
| 03       | L99169   | HEAD GLAND CAP.....           | 1         | 10       | L64175   | COUNTER BALANCE VALVE.....     | 1         |
| 04       | L99857   | 5/16"-18X1/4" SET SCREW.....  | 1         |          | L97889   | SEAL KIT (CBV)                 |           |
| 05       | L99171   | HEAD GLAND.....               | 1         | 11       | NSS      | TUBE WELDMENT.....             | 1         |
| 06       | L99174   | SPACER, ROD.....              | 1         | 12       | L99170   | CYLINDER SEAL KIT.....         | 1         |
|          |          |                               |           |          |          | (Items included are not shown) |           |

**Boom Attachment Group**

| Ref. No.        | Part No. | Description                        | Qty. Req. | Ref. No.        | Part No. | Description   | Qty. Req. |
|-----------------|----------|------------------------------------|-----------|-----------------|----------|---|-----------|
| 01              | L99237   | 8' TRUSS BOOM WELDMENT . . . .     | 1         | 21              | L50371   | 3/8"X2-1/2" BOLT . . . . .  | 2         |
| 02              | L500214  | 5' JIB BOOM WELDMENT . . . . .     | 1         | 22              | L50147   | 3/8" LOCK WASHER. . . . .   | 2         |
| 03              | L64294   | HOSE -8 A8/A8 53" . . . . .        | 2         | 23              | L60451   | WINCH BALL. . . . .   | 1         |
| 04              | L64660   | ADAP -8ORM -8JICM RUN TEE. . .     | 1         | 24              | L61411   | PINTLE HOOK . . . . .   | 1         |
| 05              | L50841   | 1/4"-20"X2" BOLT . . . . .         | 2         | 25              | L50380   | 1/2"-20X1-1/4" GR 8 BOLT . . . . .  | 4         |
|                 | L520003  | 1/4"-20 NYLON INSERT NUT . . . .   | 2         | 26              | L50152   | 1/2" LOCK WASHER. . . . .   | 4         |
| 06              | L444004  | ADAP -8ORM -8JICM STR . . . . .    | 2         | 27 <sup>d</sup> | L446017  | ADAP -8JICFS -8JICM 90. . . . .   | 2         |
| 07 <sup>a</sup> | NSS      | COUPLER, MALE . . . . .            | 1         |                 |          |   |           |
| 08 <sup>a</sup> | NSS      | COUPLER, FEMALE. . . . .           | 1         |                 |          |   |           |
| 09              | L445002  | ADAP -8ORM -8JICM 90 DEG . . . .   | 2         | 00              | L500222  | AUGER, ADAPTER PLATE. . . . .   | 1         |
| 10              | L82358   | RELIEF VALVE . . . . .             | 1         |                 |          |   |           |
| 11 <sup>b</sup> | 100963   | HYDRAULIC WINCH. . . . .           | 1         |                 |          |   |           |
| 12              | L50286   | 1/2"-13X1-3/4" GR 8 BOLT . . . . . | 6         | a               |          | <i>Sold as a set. Order part # L65273 Quick Couplers</i>  |           |
| 13              | L520019  | 1/2-13 NYLON INSERT NUT . . . . .  | 6         | b               |          | <i>Used with 5' truss booms after attachment serial number 11182. The winch on 5' truss booms before attachment serial number 11183 have been discontinued, you must purchase a boom and a winch.</i> |           |
| 14              | L444008  | ADAP -10ORM -8JICM . . . . .       | 2         | c               |          | <i>Used with 5' truss booms with winch.</i>   |           |
| 15              | L400398  | HOSE -6 A8/A8 18.5" . . . . .      | 2         | d               |          | <i>Not used on some attachments.</i>  |           |
| 16              | L50815   | 5/16"X2-1/2" BOLT . . . . .        | 2         |                 |          |   |           |
| 17              | 100076   | PIN, TRUSS WINCH . . . . .         | 1         |                 |          |   |           |
| 18              | L520004  | 5/16"-18 NYLON INSERT NUT . . . .  | 2         |                 |          |   |           |
| 19              | L65338   | WINCH SHEAVE. . . . .              | 1         |                 |          |   |           |
| 20 <sup>c</sup> | L66946   | 3/8"X60' WINCH CABLE . . . . .     | 1         |                 |          |   |           |
|                 |          | <i>(Includes hook and swivel)</i>  |           |                 |          |   |           |

**-- ITEMS NOT SHOWN --**

CLICK HERE TO **DOWNLOAD** THE COMPLETE MANUAL

- Thank you very much for reading the preview of the manual.
- You can download the complete manual from: [www.heydownloads.com](http://www.heydownloads.com) by clicking the link below



- Please note: If there is no response to CLICKING the link, please download this PDF first and then click on it.

CLICK HERE TO **DOWNLOAD** THE COMPLETE MANUAL