

GEHL

Form No.
50960020
Revision D
January
2015

DL Series Dynalift[®]

DL7/DL9/DL11/DL12

Telescopic Handlers

(Equipped with Interim Tier IV Engines)

For machines beginning with serial numbers:

DL7 (High Boom) - SN 21051

DL9 (High Boom) - SN 31151

DL11 (High Boom) - SN 41451

DL12 (High Boom) - SN 50851



Parts Manual

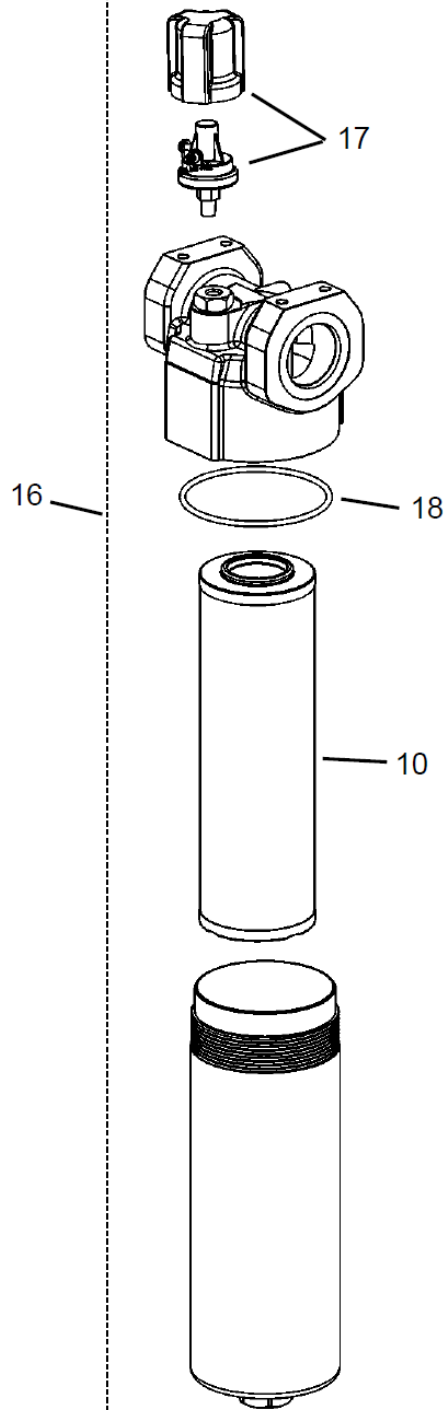
CLICK HERE TO **DOWNLOAD** THE COMPLETE MANUAL

- Thank you very much for reading the preview of the manual.
- You can download the complete manual from: www.heydownloads.com by clicking the link below

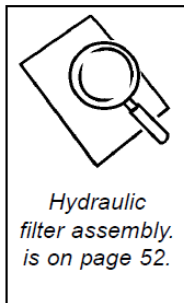


- Please note: If there is no response to CLICKING the link, please download this PDF first and then click on it.

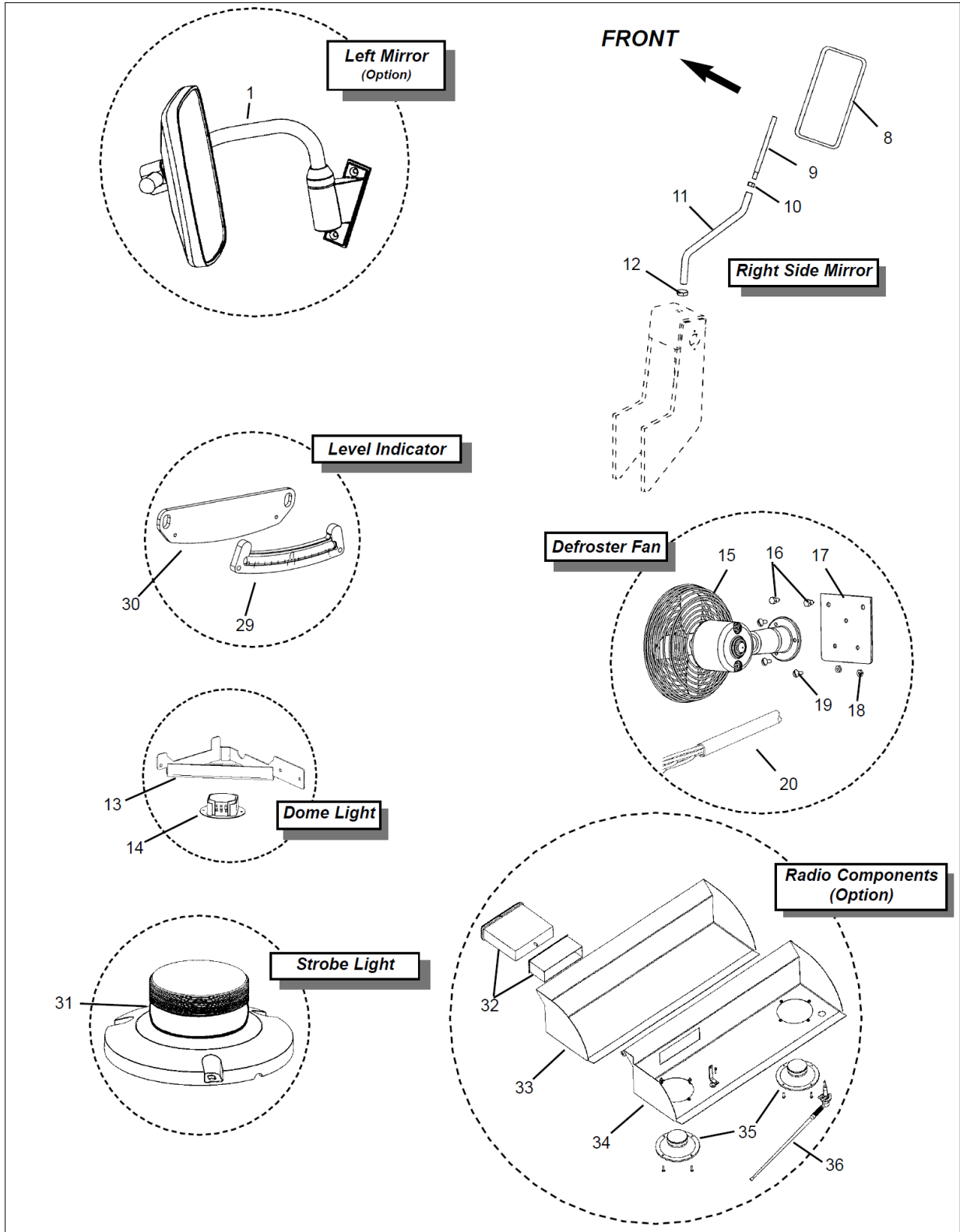
CLICK HERE TO **DOWNLOAD** THE COMPLETE MANUAL

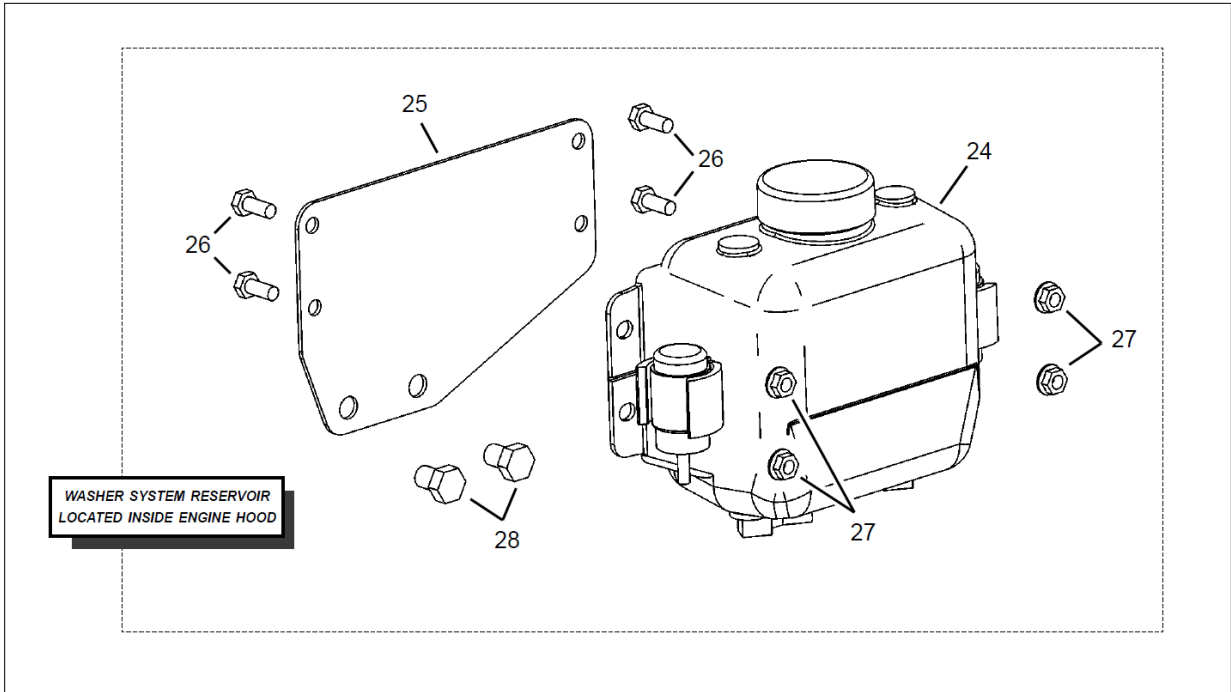


Hydraulic Filter Assembly

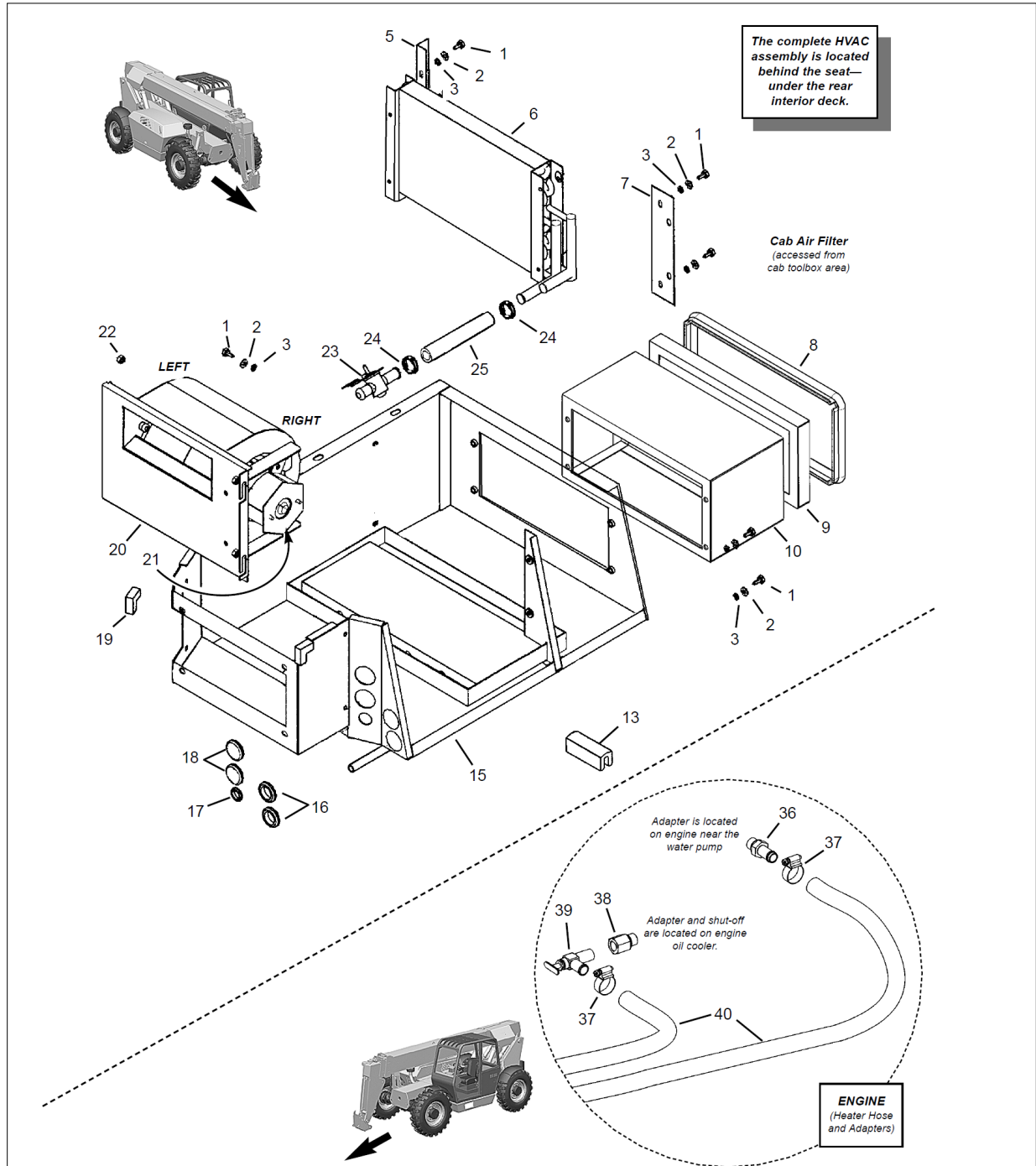


Cab Options

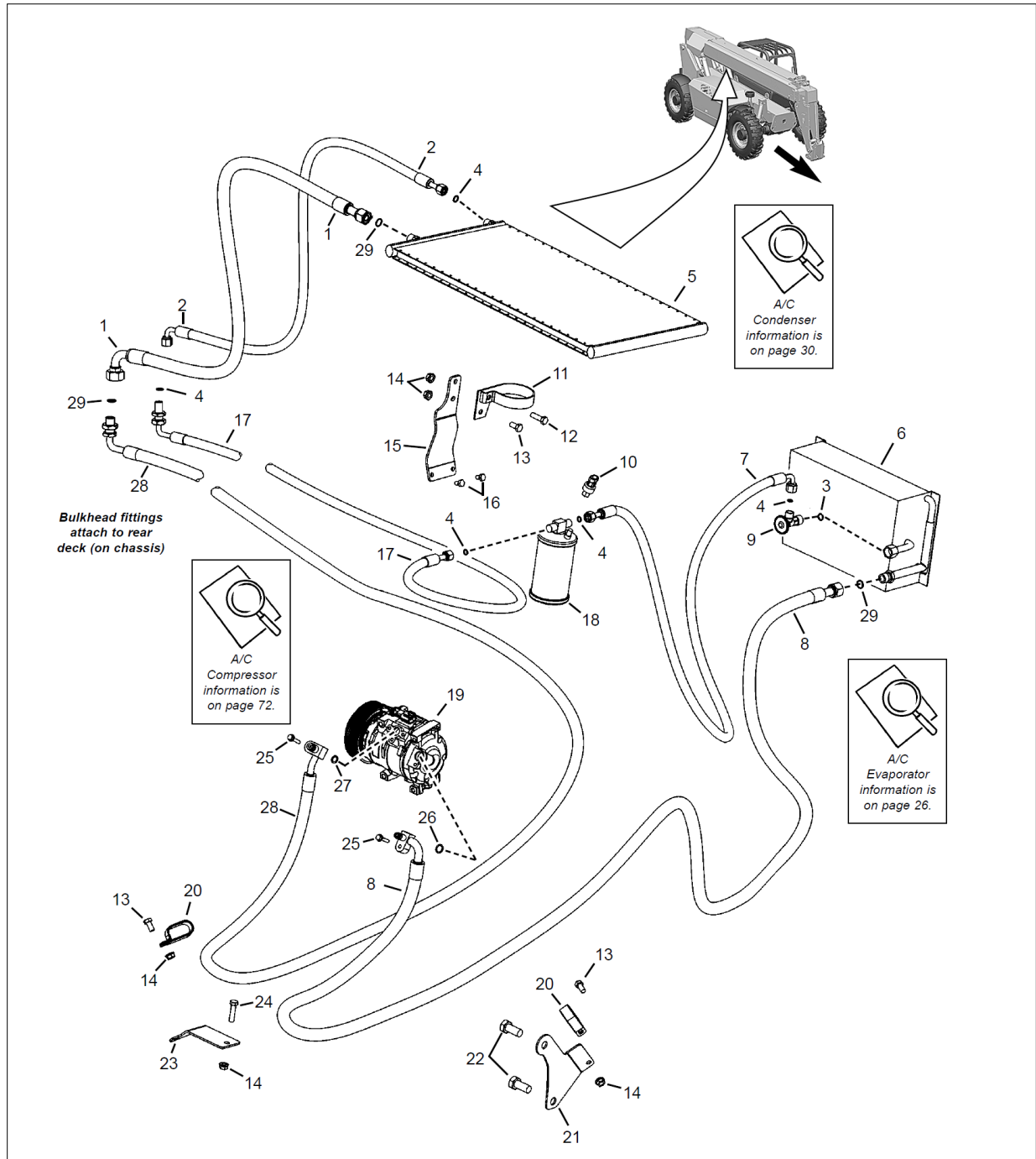




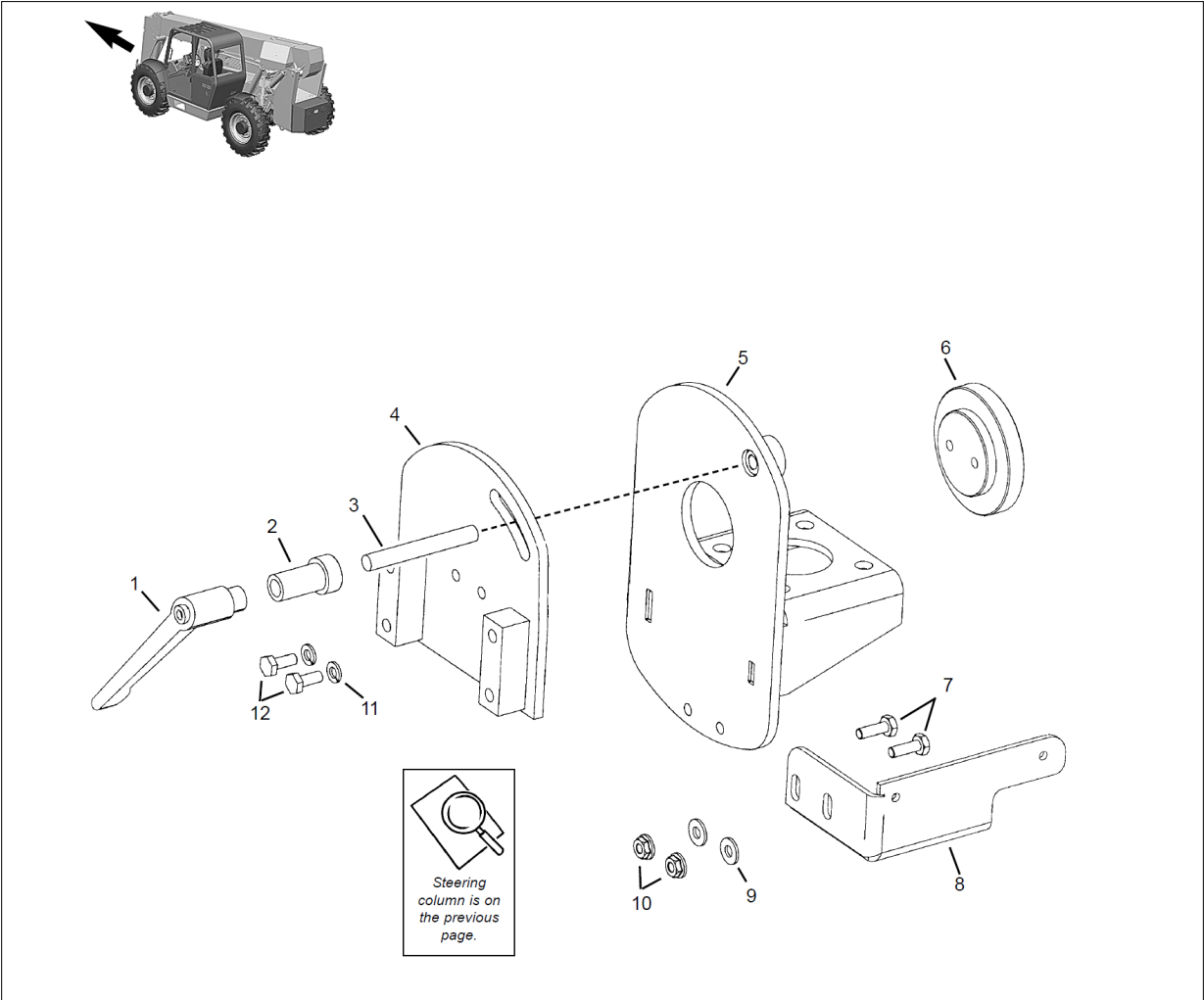
Cab Heater (No Air Conditioning)



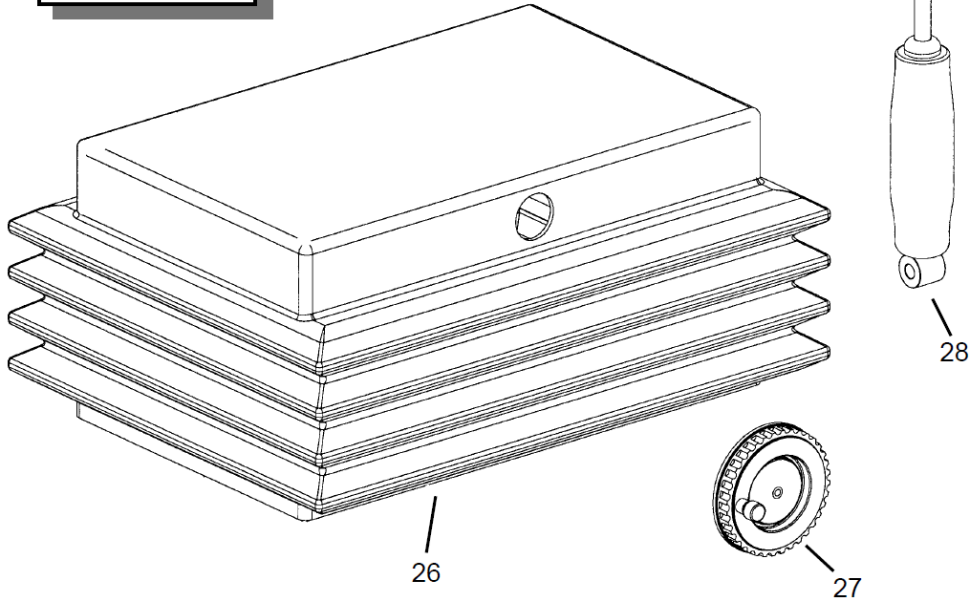
Cab Air Conditioning Circuit (Option)



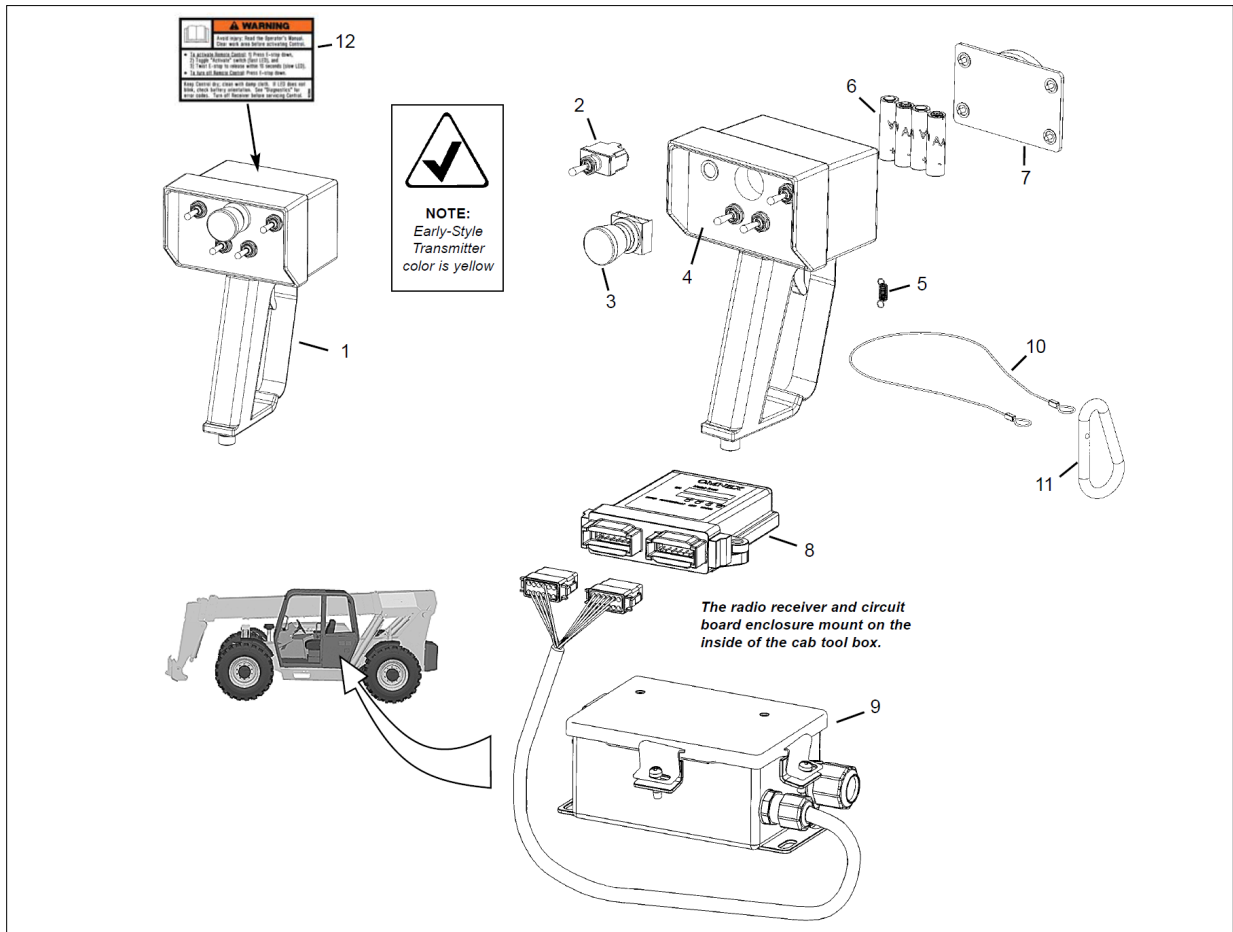
Cab Steering Column - Tilt Assembly

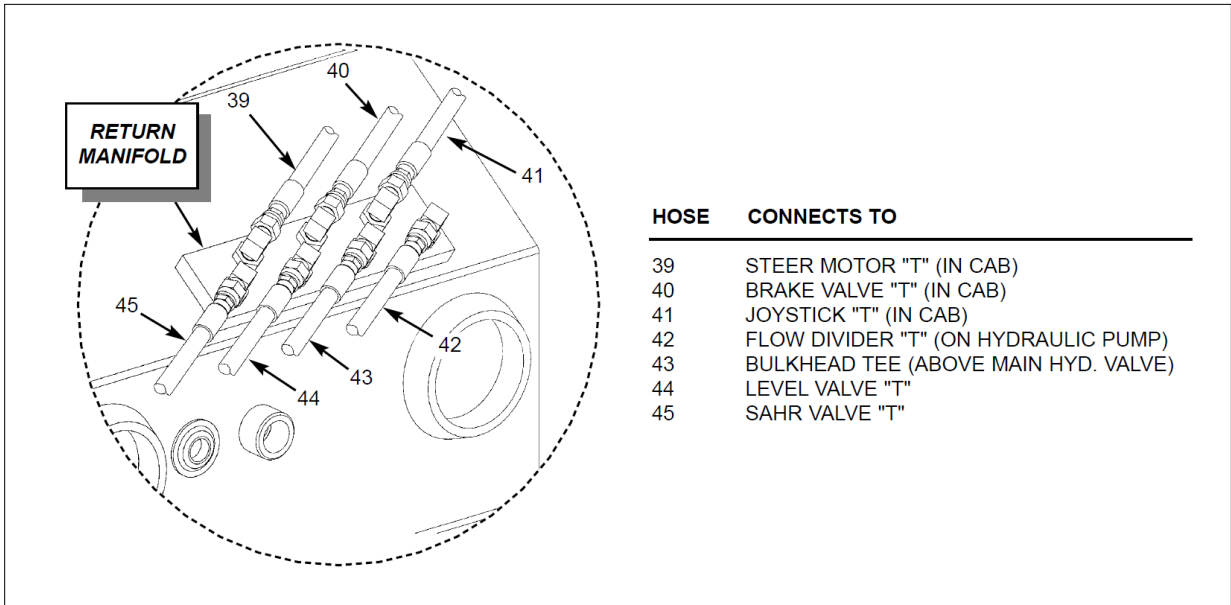


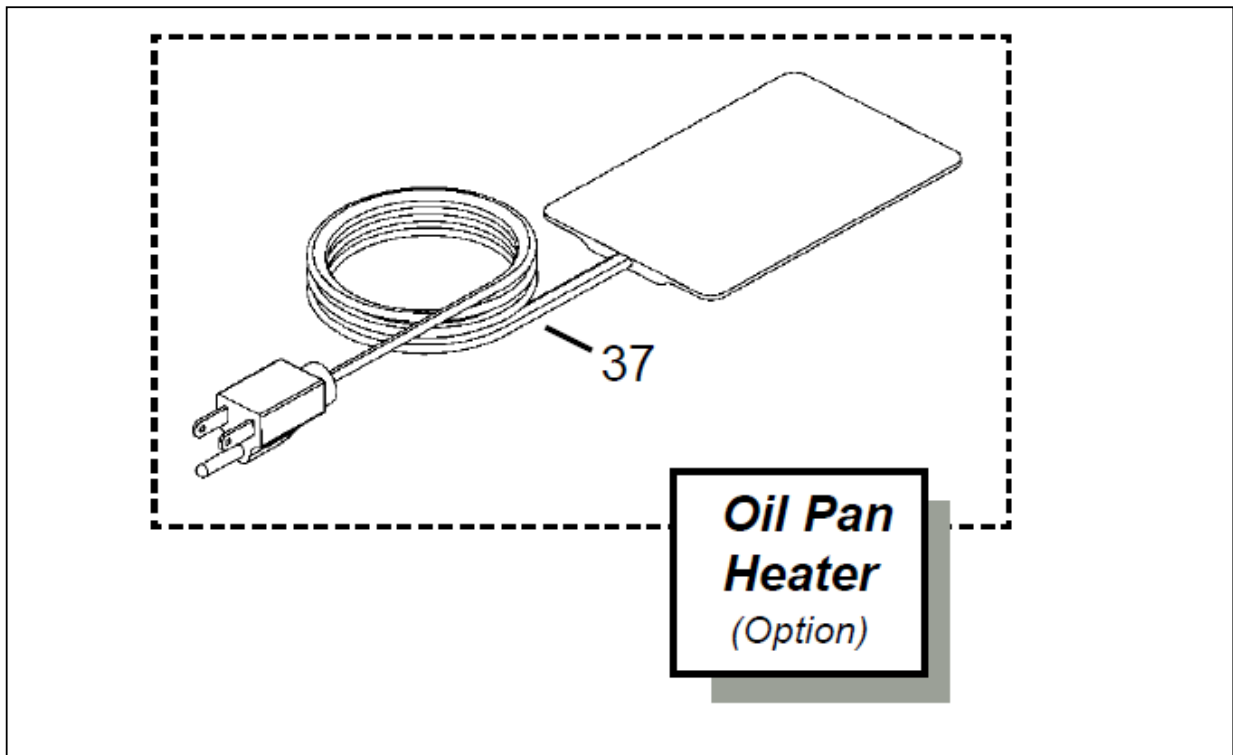
**Suspension
Seat (Option)**



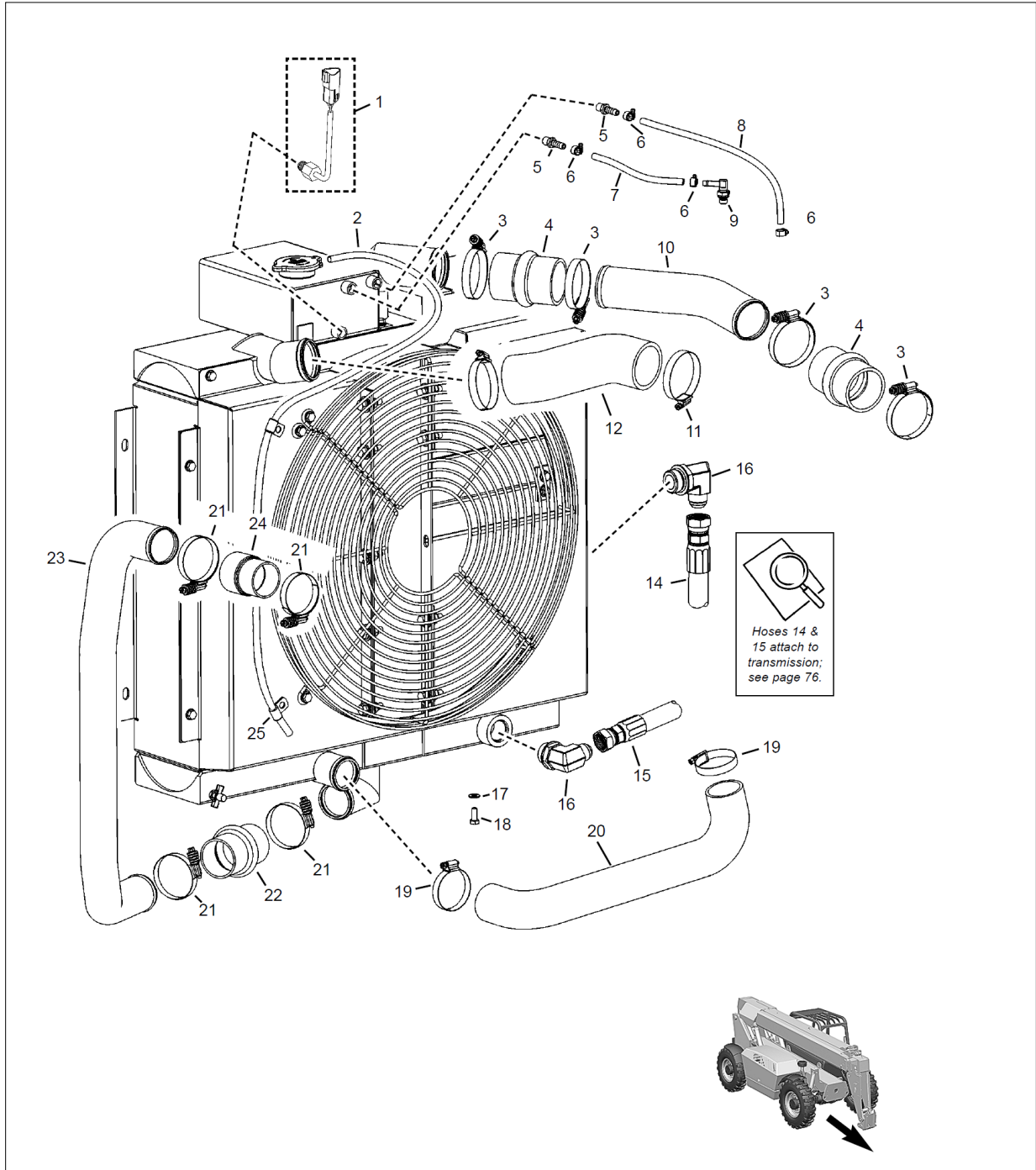
Personnel Work Platform System Radio Remote (Option) - Transmitter and Receiver - (Early Style)



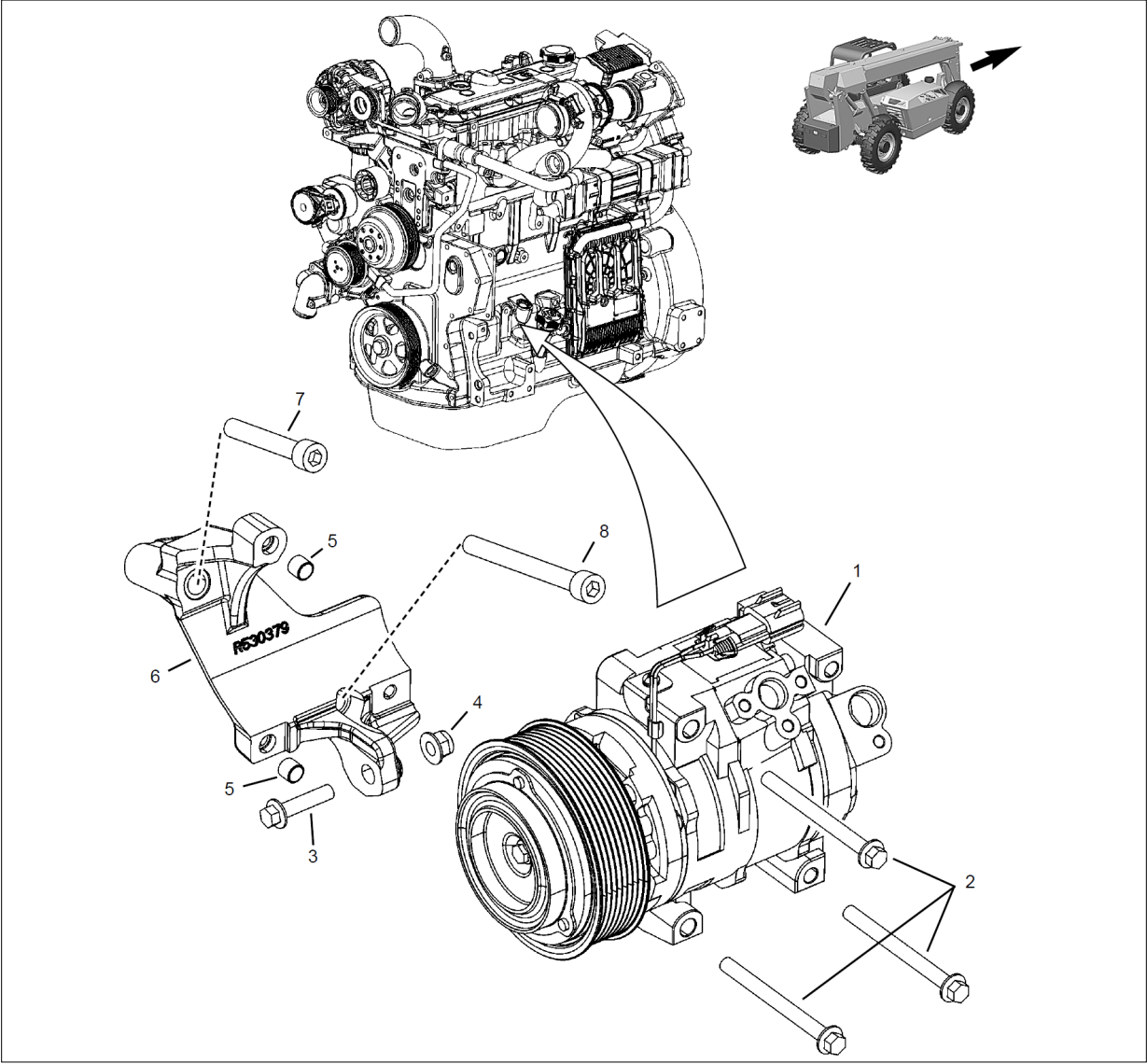


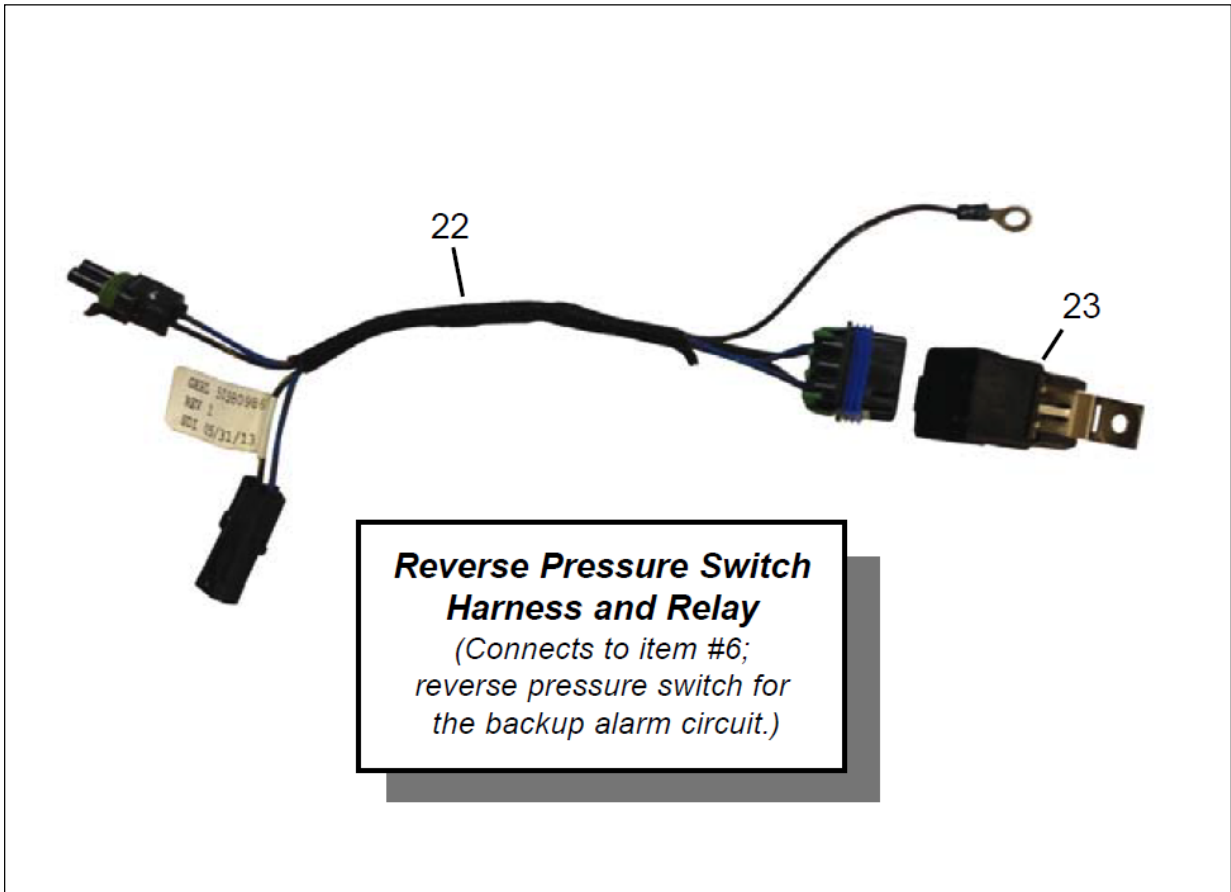


Engine Cooler Hoses

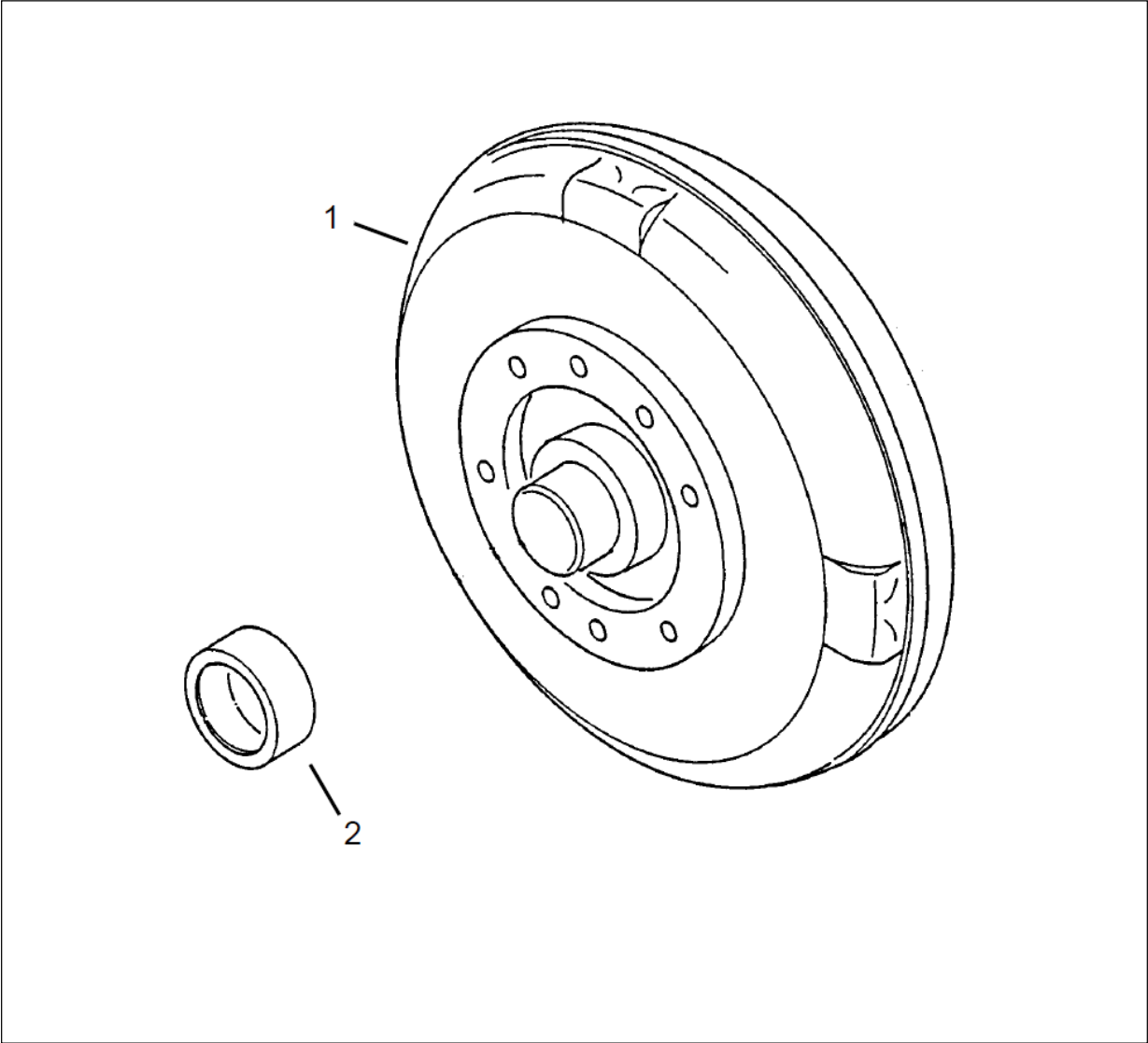


Engine Air Conditioner Compressor - (Option)

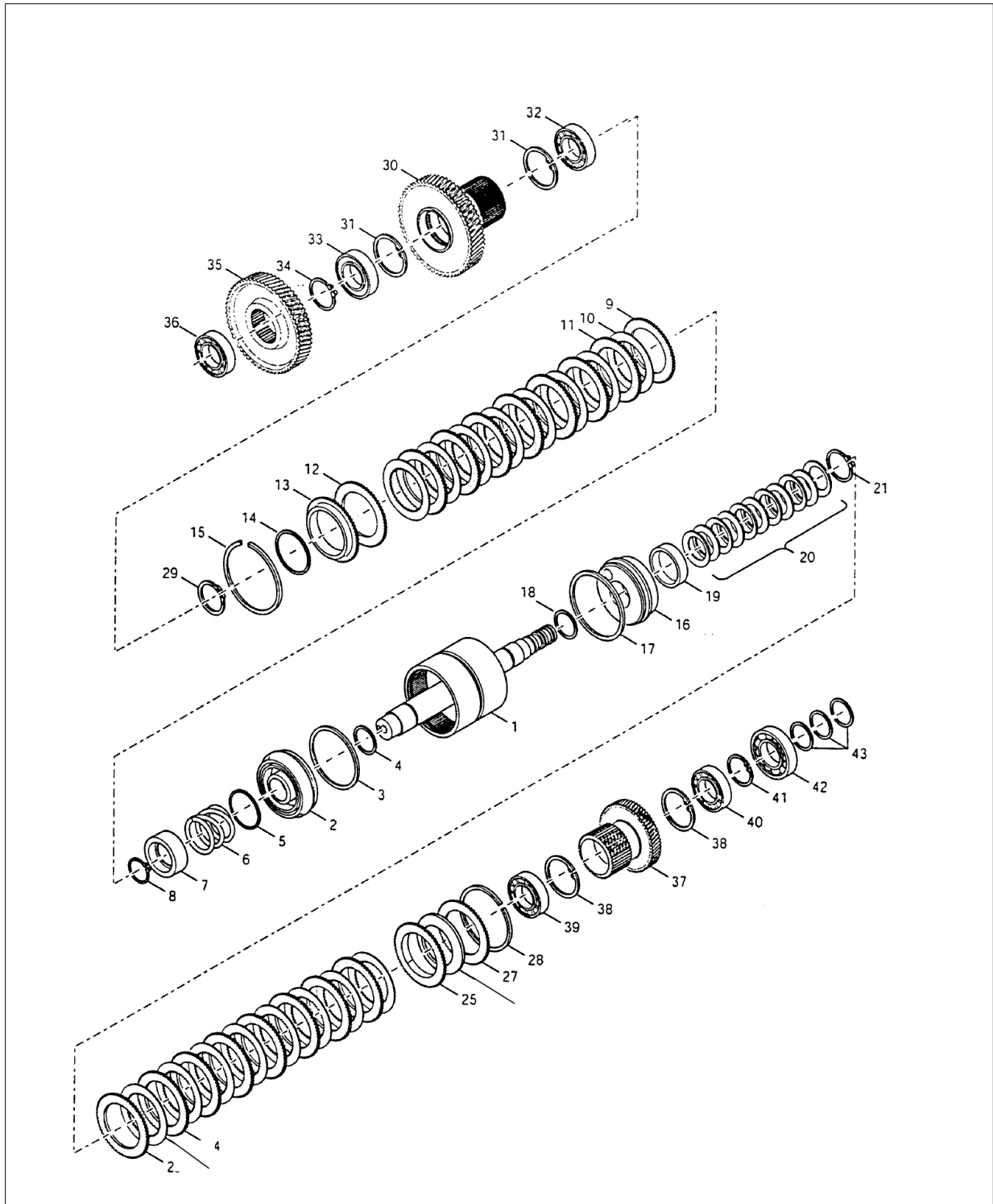




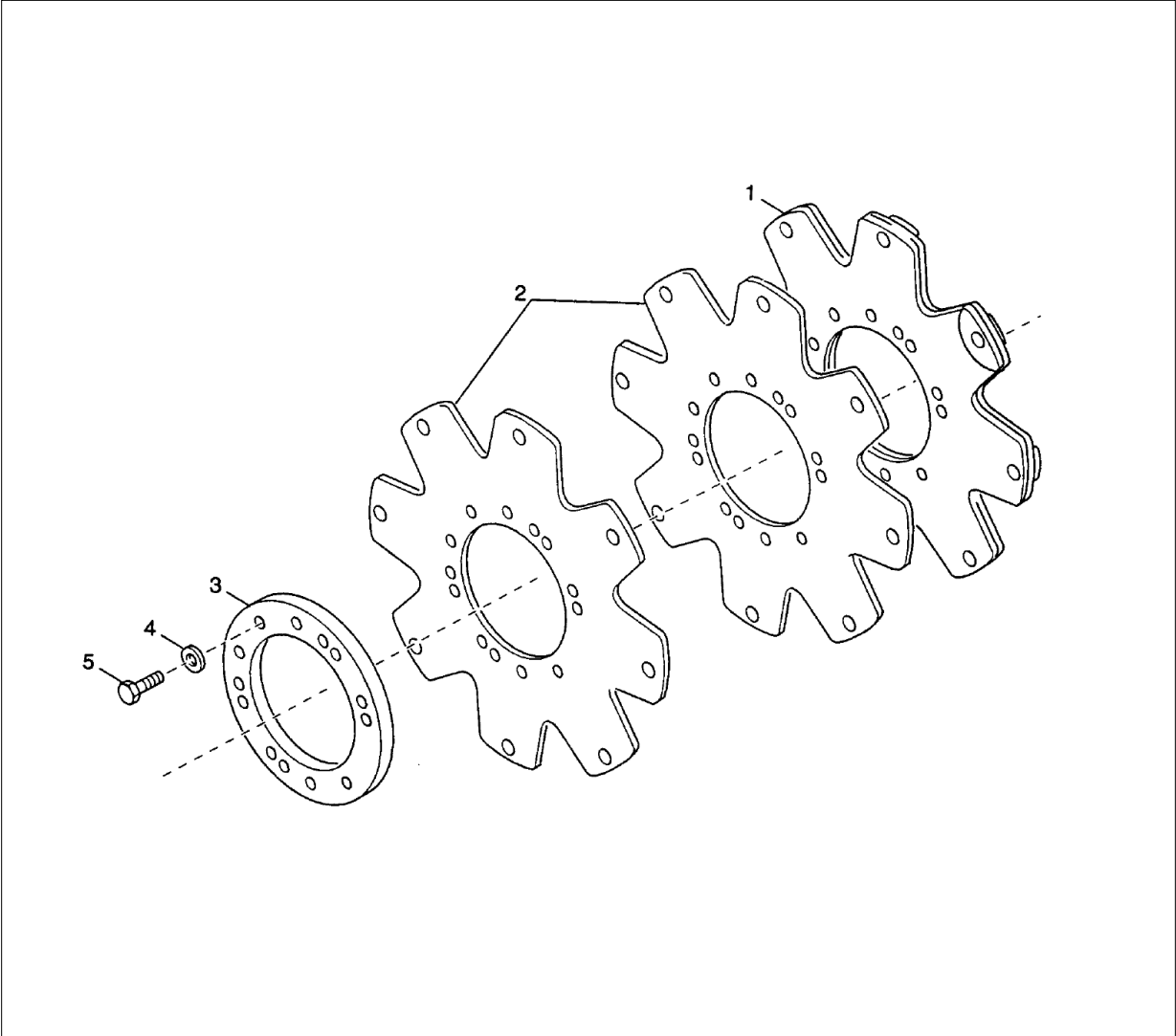
Transmission Torque Converter



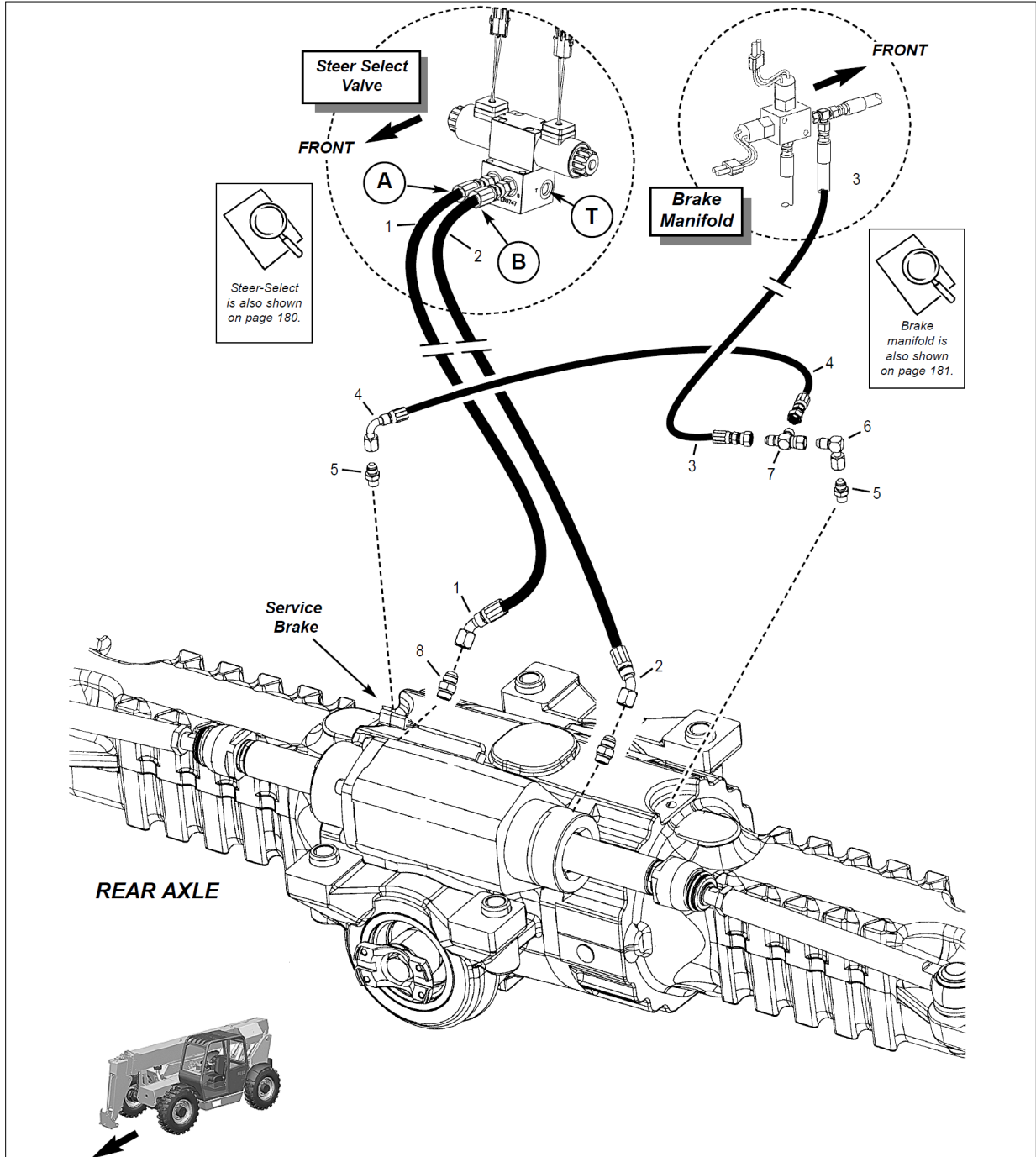
Transmission Gears and Shaft - Reverse/1st



Transmission Drive Plate Group



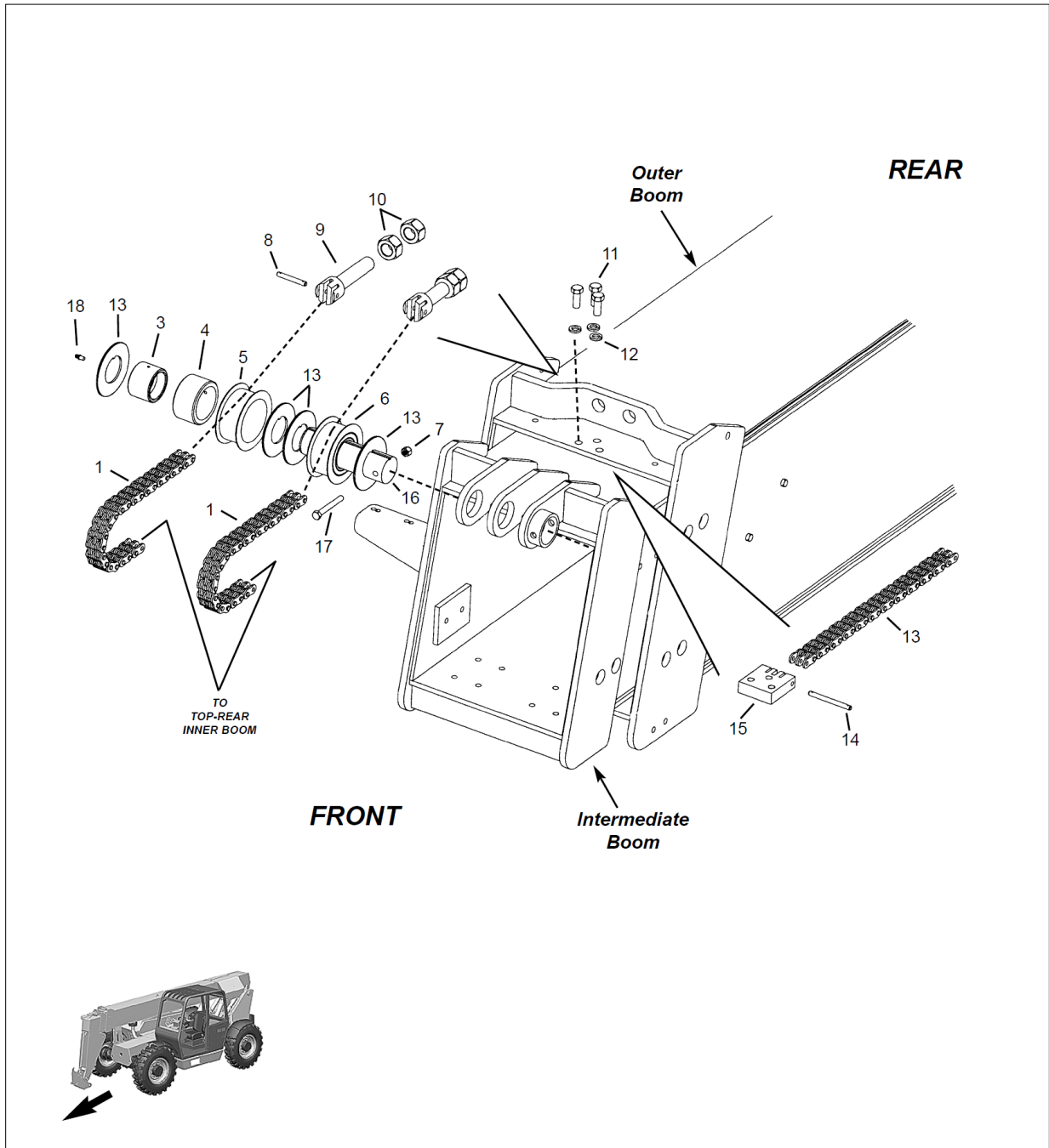
Axles Rear Axle - Steering and Brake Lines Group



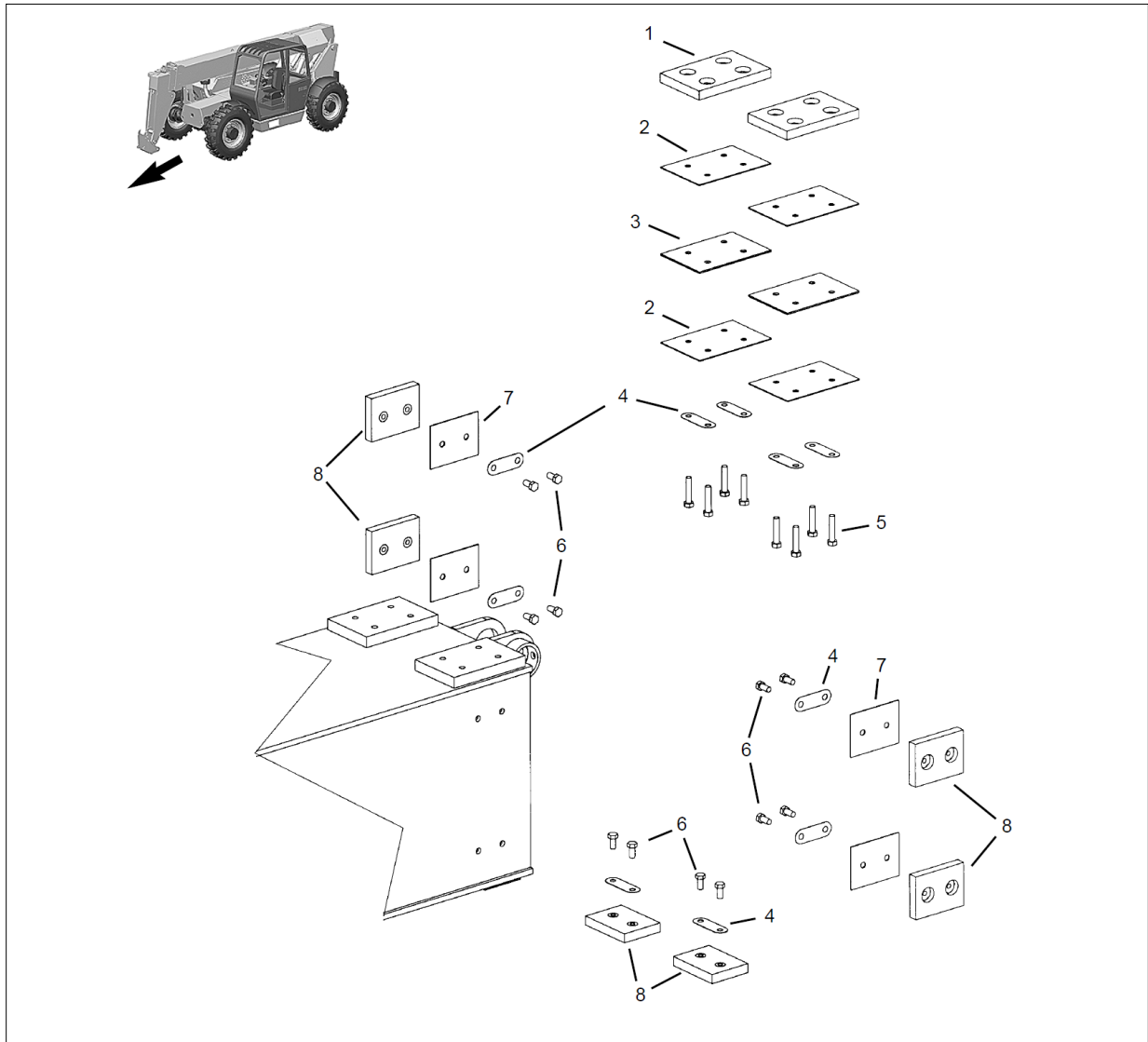
Item	Part No.	Name	Qty	Remarks
39	106049	Locking Plate	2	
40	106050	Seal	6	
41	106051	Planet Gear	6	
42	106052	Bearing	6	
43	106053	PLANET GEAR CARRIER	2	
46	104504	Countersunk Bolt	4	
47	106054	Nut	16	
48	106055	Stud	16	
49	102603	O-Ring	2	
51	102601	Wheel Stud	20	
52	106056	PLANET GEAR CARRIER	2	(includes items 36-38 & 40-43)
53	106006	O-Ring	2	
56	50220056	STUD (Bolt)	8	
57	102583	WASHER	8	
58	102587	NUT	8	
62	106058	Steering Case	1	(includes item 15), Before ordering, refer to inset illustration "FrontAxle" on facing page to determine the correctsteering case (e.g., left side or right side).
63	106059	Steering Case	1	Includes Item 15, Before ordering, refer to inset illustration "FrontAxle" on facing page to determine the correctsteering case (e.g., left side or right side).
64	104546	Adjusting Bolt	4	
66	106060	RING GEAR SUPPORT	2	(includes items 36-38)
67	50220030	Vent	1	Used in only one axle case (as shown), and only on axles in the axle SN range R-ITA-754751 and up; the other side (axle case) uses a plug (PN L98419) in place of this vent.

Item	Part No.	Name	Qty	Remarks
49	102603	O-Ring	2	
51	102601	Wheel Stud	20	
52	106056	PLANET GEAR CARRIER	2	(includes items 36-38 & 40-43)
56	50220056	STUD (Bolt)	1	
57	102583	WASHER	8	
58	102587	NUT	8	
62	106058	Steering Case	1	(includes item 15), Before ordering, refer to inset illustration "RearAxle" on facing page to determine the correct steering case (e.g., left-side or right-side).
63	106059	Steering Case	1	(includes item 15), Before ordering, refer to inset illustration "RearAxle" on facing page to determine the correct steering case (e.g., left-side or right-side).
64	104546	Adjusting Bolt	4	
66	50220047	Ring Gear Support	2	Axle S/N P-ITA-704046 and up
66	106060	RING GEAR SUPPORT	2	Axle S/N P-ITA-704045 and before

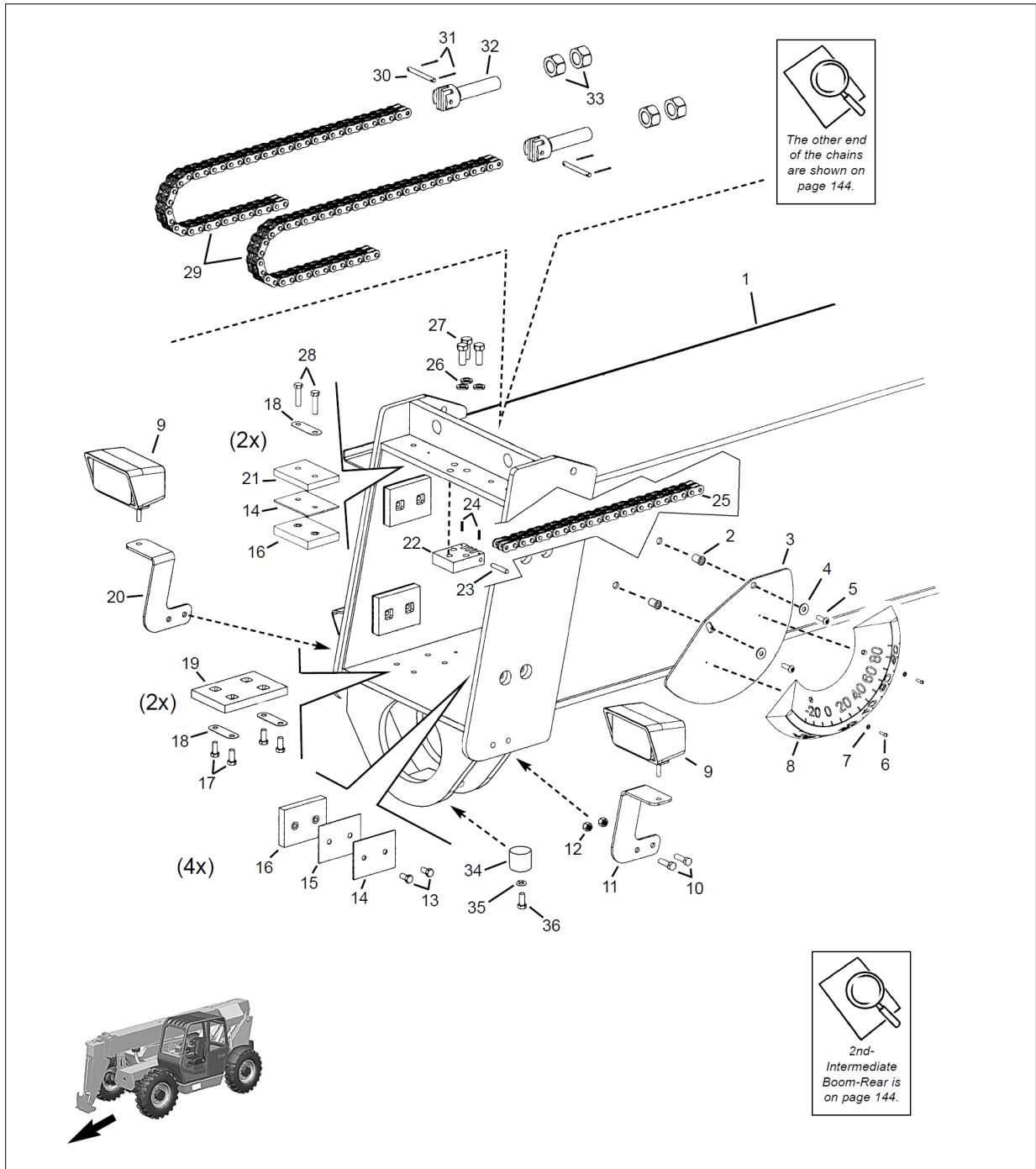
Boom Three Section High Three-Section High Boom Boom Chain-Drive Assembly - Front



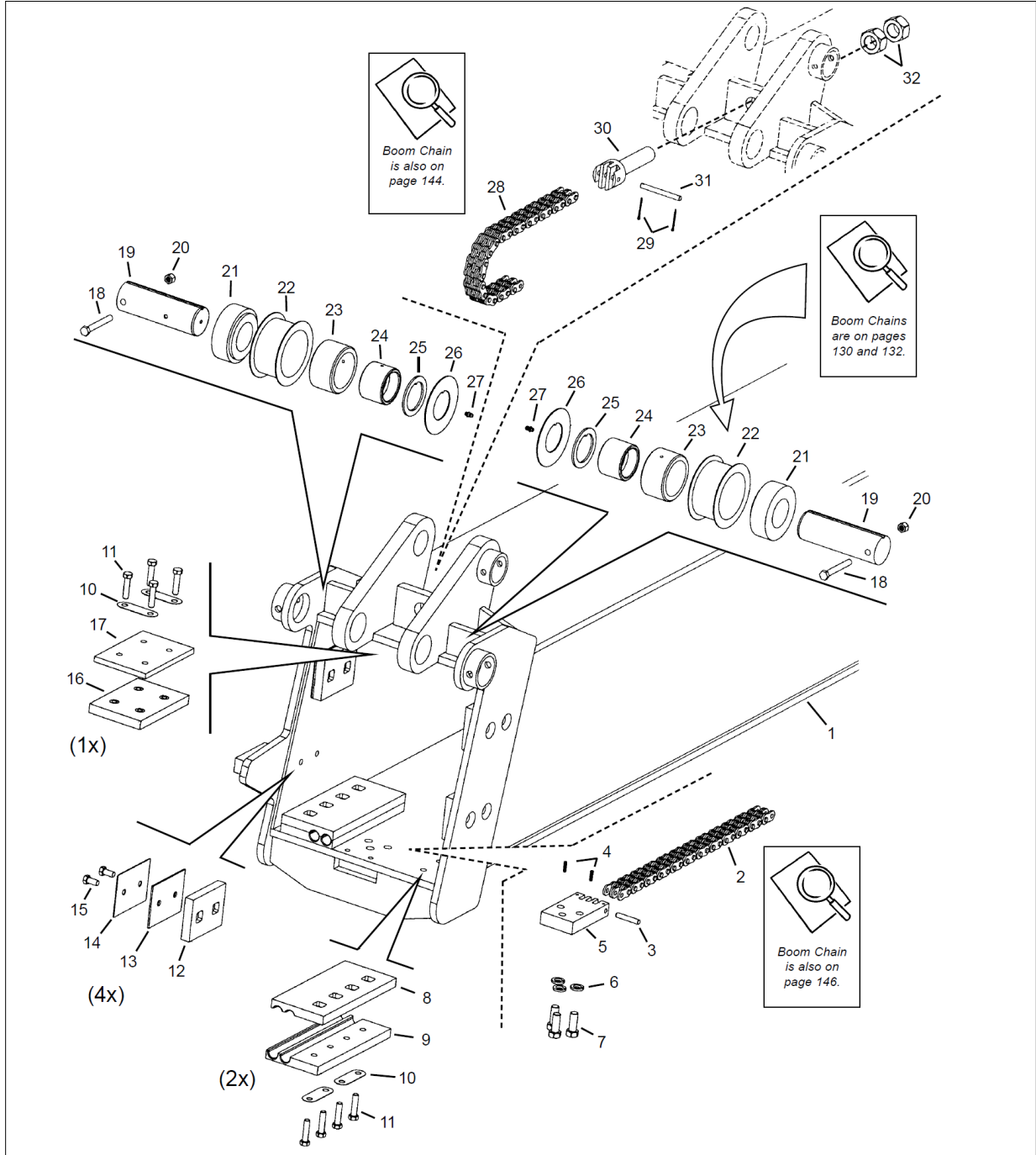
Boom Three Section High Three-Section High Boom Intermediate Boom - Rear



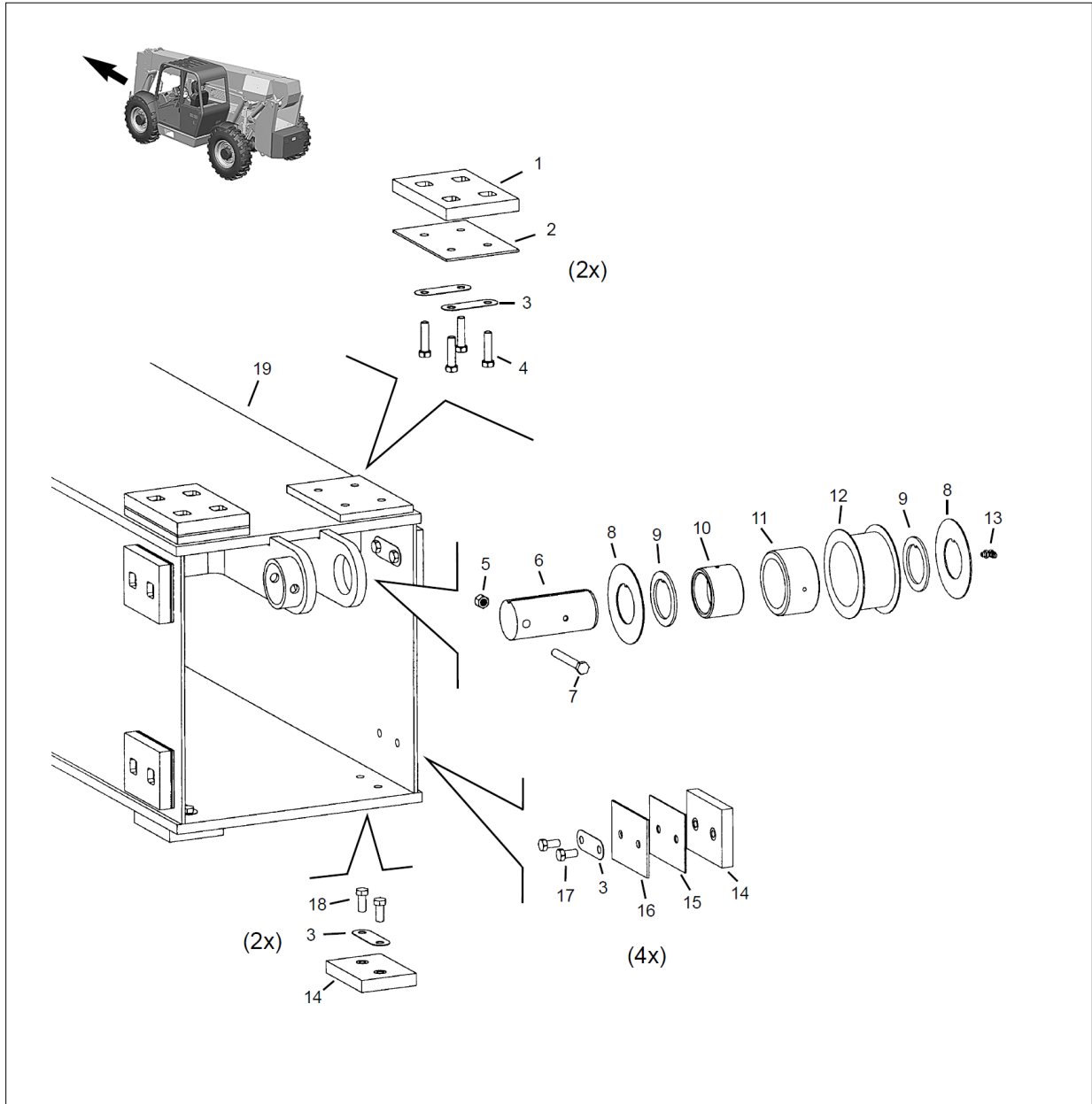
Boom Four Section High Four-Section High Boom-Outer Boom - Front - (Extend Cylinder on Bottom)

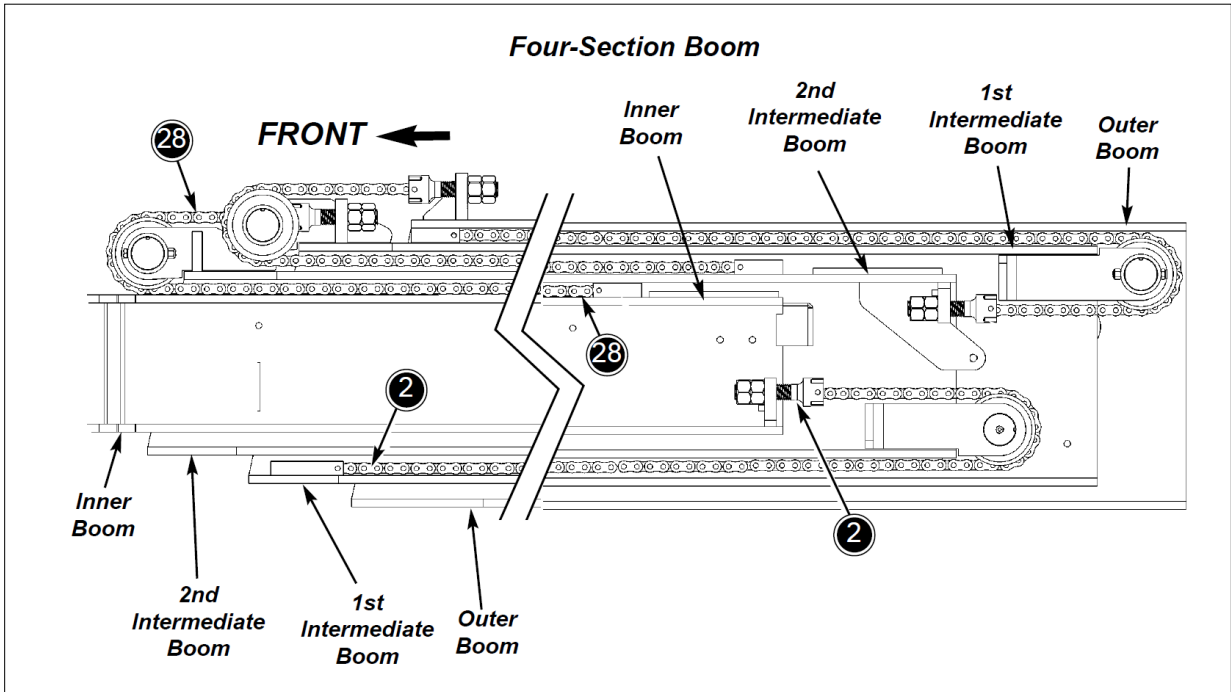


Boom Four Section High Four-Section High BoomFirst-Intermediate Boom - Front - (Extend Cylinder on Top)



Boom Four Section High Four-Section High Boom First-Intermediate Boom - Rear





CLICK HERE TO **DOWNLOAD** THE COMPLETE MANUAL

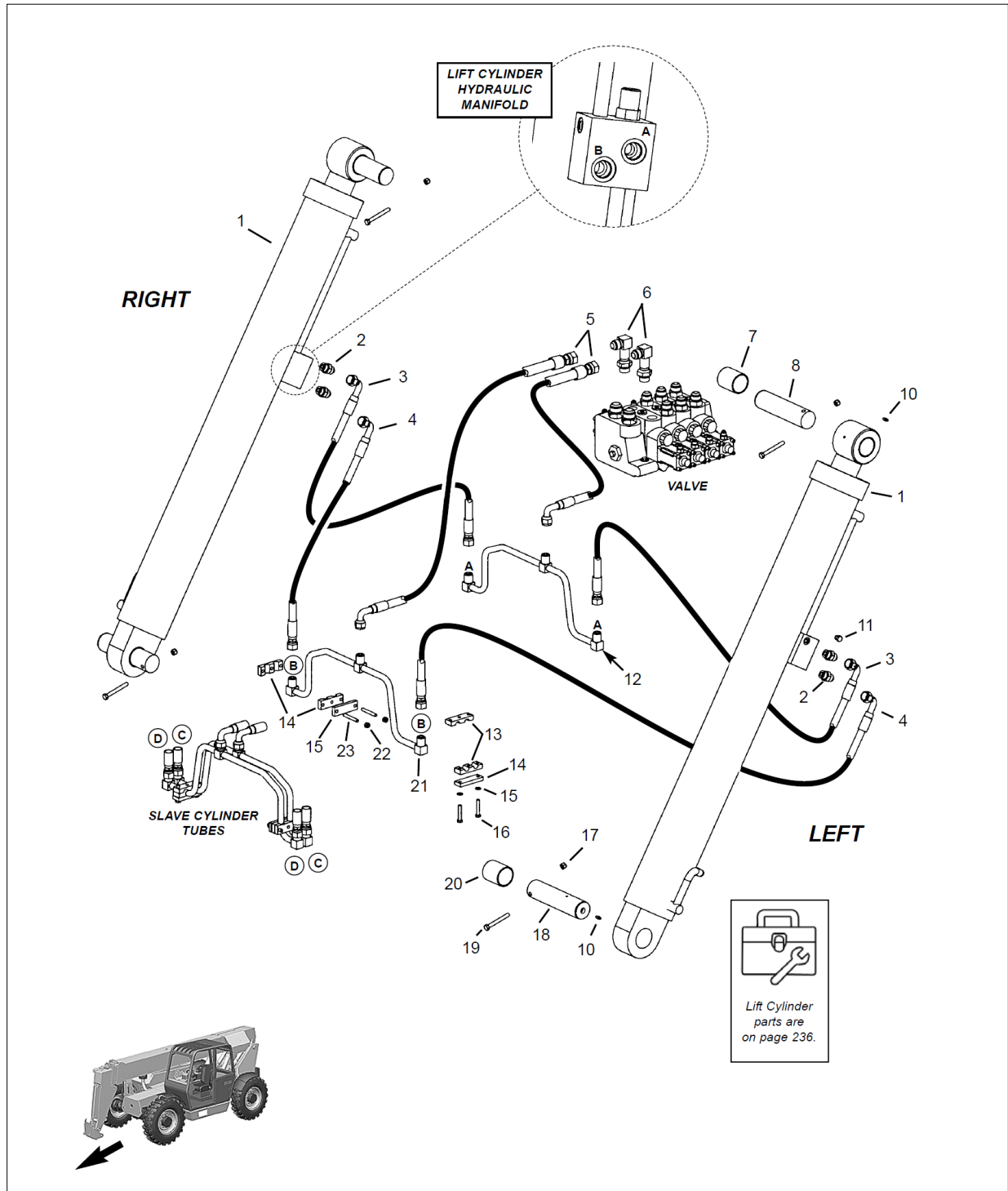
- Thank you very much for reading the preview of the manual.
- You can download the complete manual from: www.heydownloads.com by clicking the link below



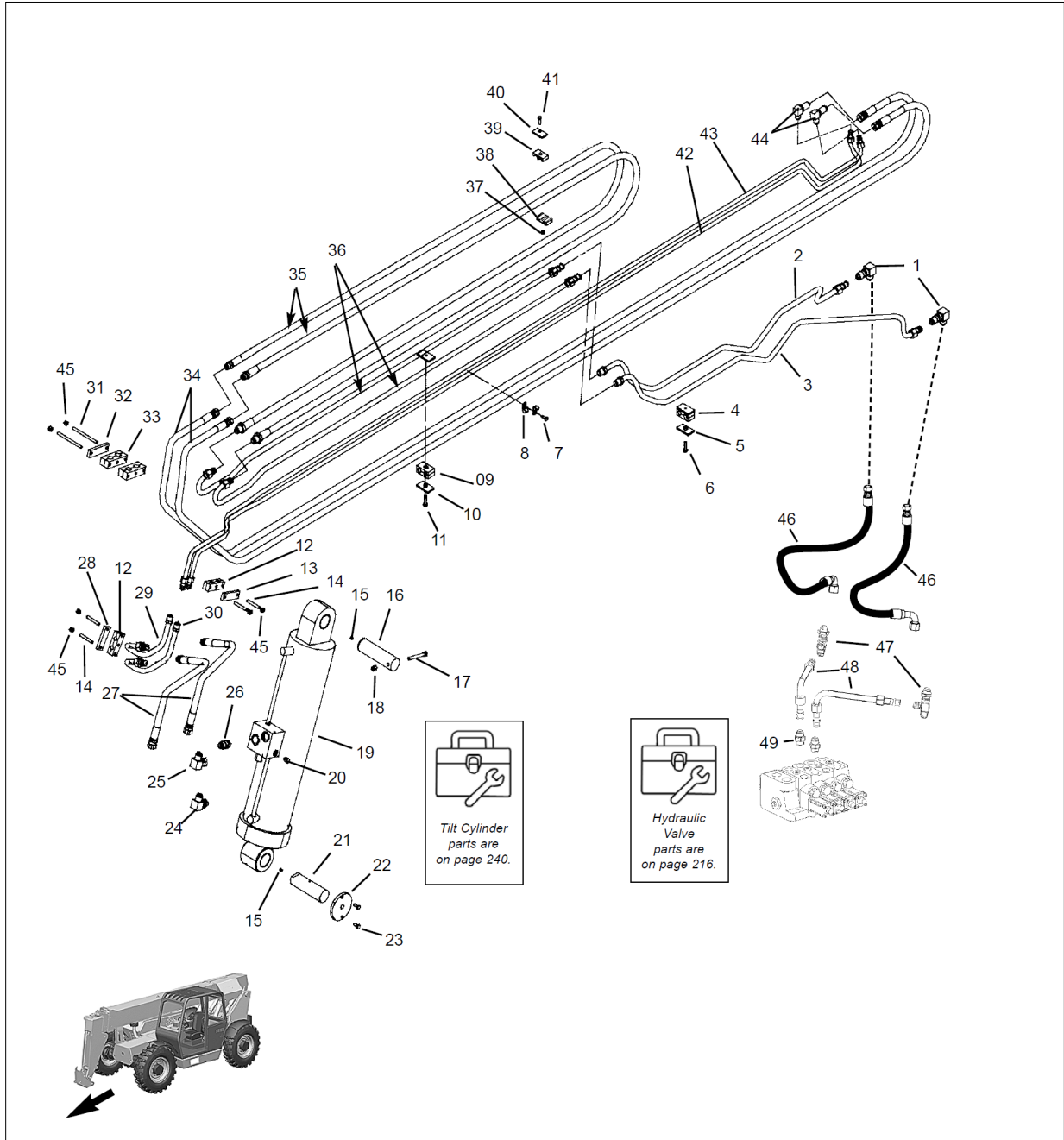
- Please note: If there is no response to CLICKING the link, please download this PDF first and then click on it.

CLICK HERE TO **DOWNLOAD** THE COMPLETE MANUAL

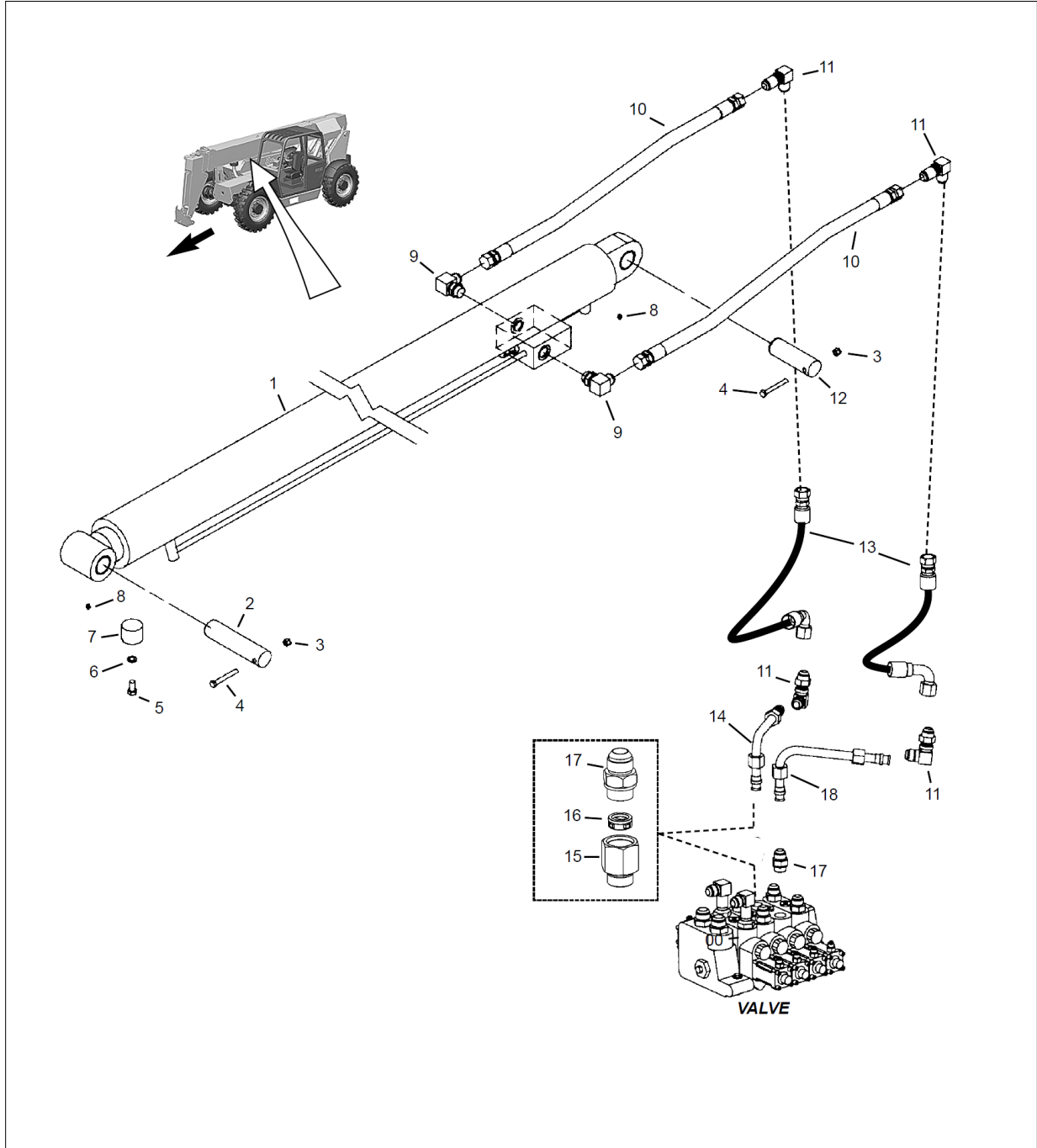
Boom Hydraulics Lift Cylinder Group



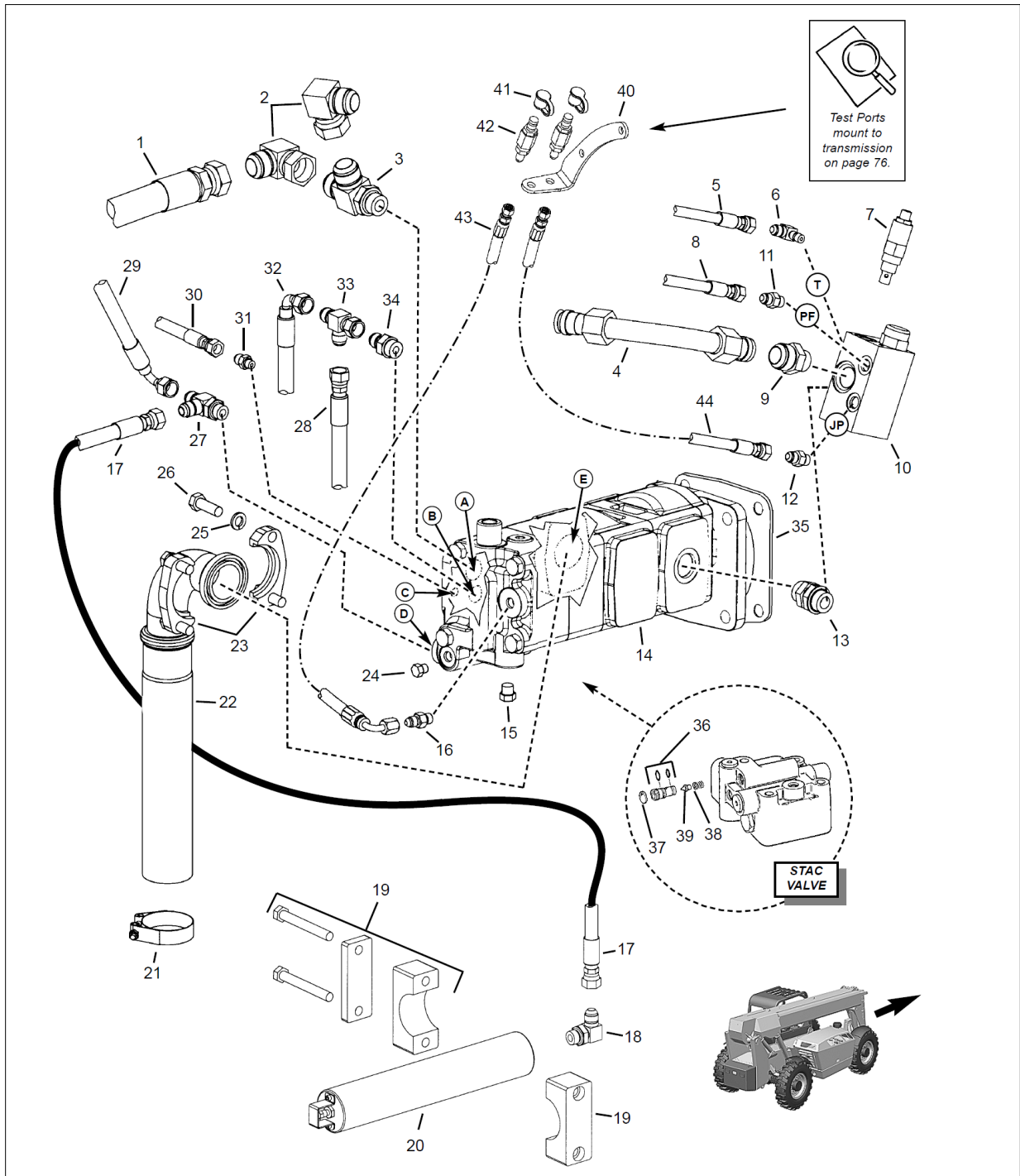
Boom Hydraulics Four-Section High BoomTilt Cylinder Group



Boom Hydraulics Four-Section High Boom Boom Extend Cylinder Group - (Extend Cylinder on Bottom of Boom)



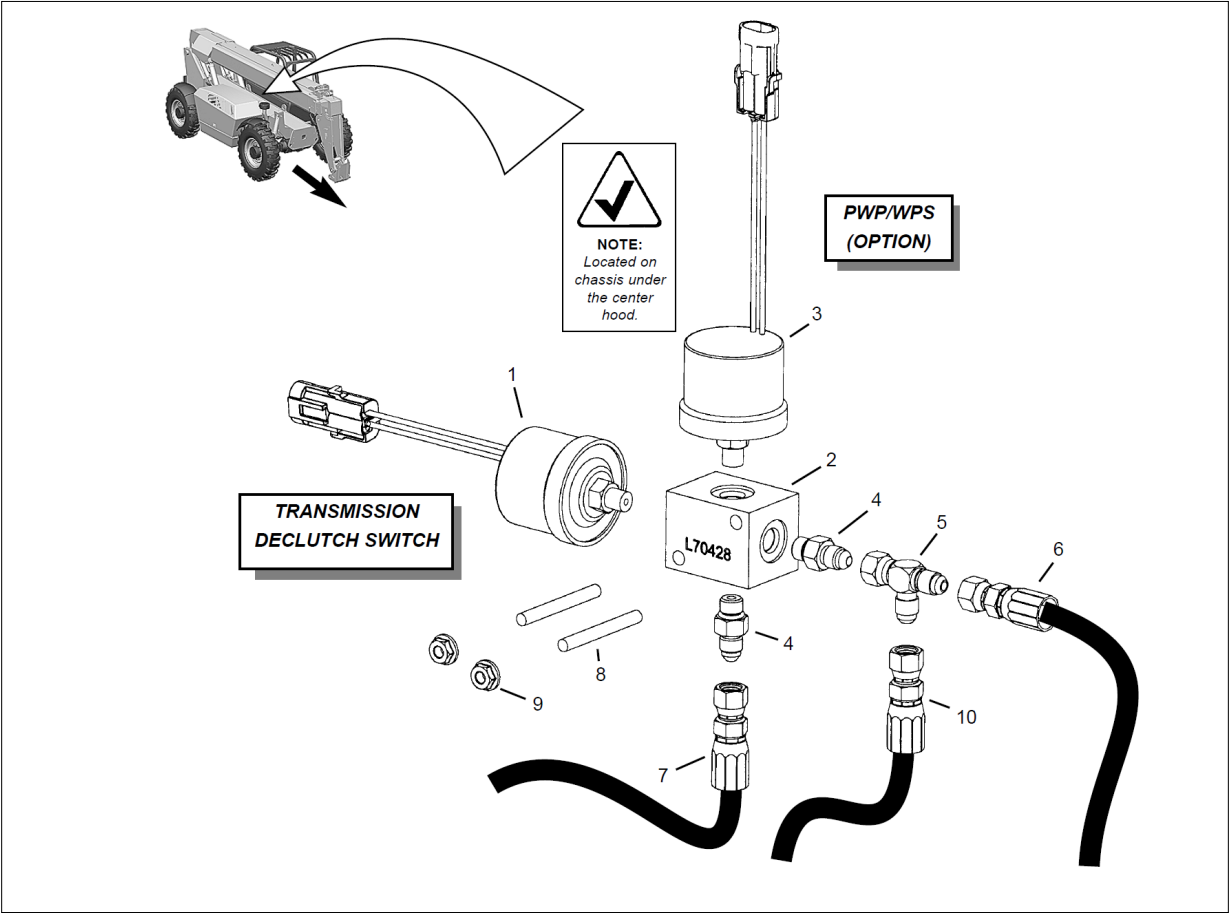
Hydraulics Hydraulic Pump, Accumulator, and Hoses



Hose Locator

Ref No.	From Port	To Port
02	HYDRAULIC PUMP	V20 VALVE "PB"
03	FLOW DIVIDER	V20 VALVE "IN"
04	FLOW DIVIDER "T"	HYDRAULIC TANK RETURN MANIFOLD
05	FLOW DIVIDER "T" SWIVEL	OUTRIGGER PILOT MANIFOLD "T"
11	FLOW DIVIDER "PF" SWIVEL	OUTRIGGER PILOT MANIFOLD "P"
12	FLOW DIVIDER "PF"	SAHR VALVE "P1"

Hydraulics Brake Manifold and Hoses



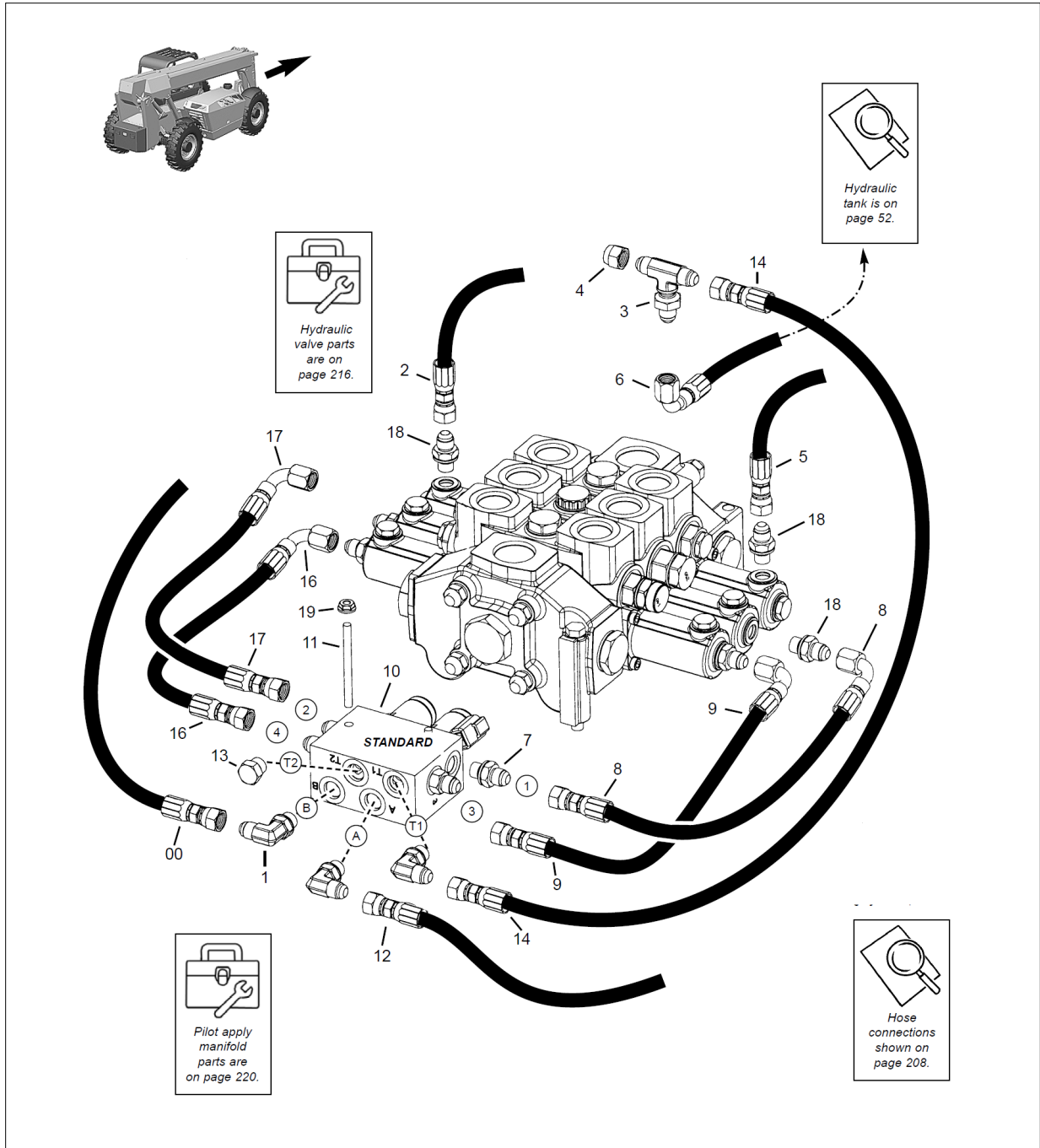
HOSE LOCATOR

04	STEER MOTOR "LS" (IN CAB)	LEVEL VALVE "LSB"
05	STEER MOTOR "L" (IN CAB)	STEER SELECT VALVE "P"
06	STEER MOTOR "R" (IN CAB)	FRONT AXLE STEER CYLINDER (RIGHT PORT)
07	STEER MOTOR "T" (IN CAB)	HYDRAULIC TANK RETURN MANIFOLD
08	STEER MOTOR "P" (IN CAB)	HYDRAULIC PUMP <i>(Refer to item #32 on hydraulic pump)</i>

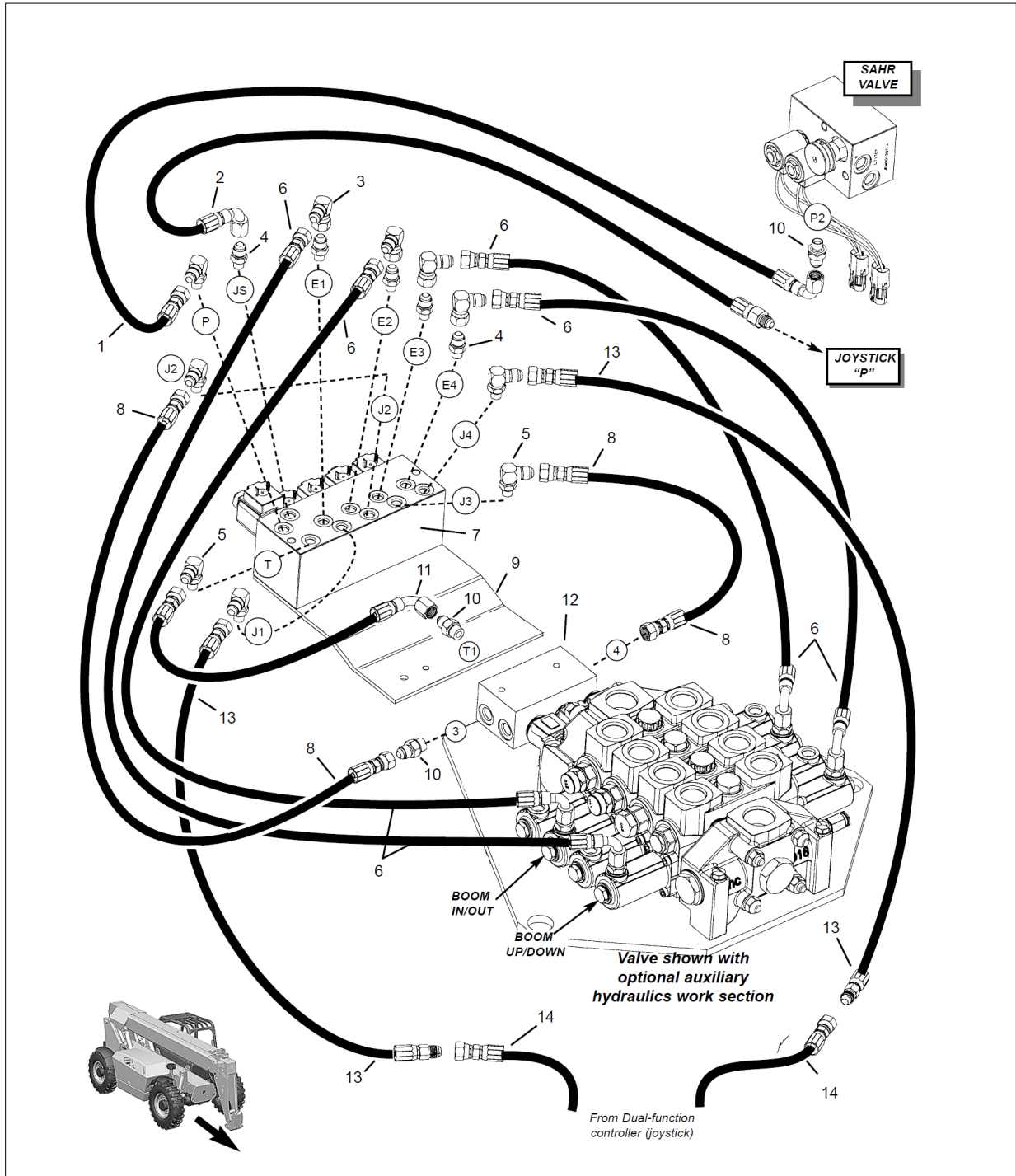
Hose Locator

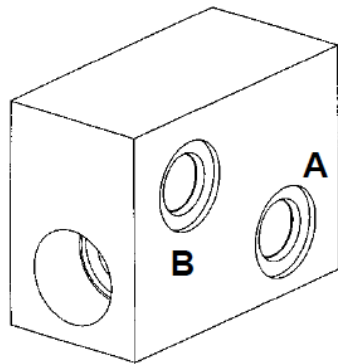
Ref No.	From Port	To Port
02	BULKHEAD TEE (ABOVE VALVE)	HYDRAULIC TANK RETURN MANIFOLD
03	PILOT APPLY MANIFOLD "T"	BULKHEAD TEE (ABOVE VALVE)
05	PILOT APPLY MANIFOLD "B"	PILOT VALVE (<i>as shown</i>)
08	PILOT APPLY MANIFOLD "A"	PILOT VALVE (<i>as shown</i>)
09	PILOT APPLY MANIFOLD "P"	SAHR VALVE "P1" (BOTTOM OF TEE)

Hydraulics Dual-Function (Two-Button) Manifold - Standard Hydraulics



Hydraulics Dual-Function (Two-Button) Manifold - Radio Remote Option

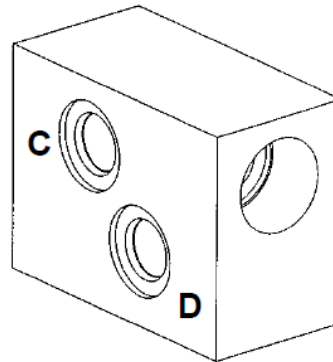




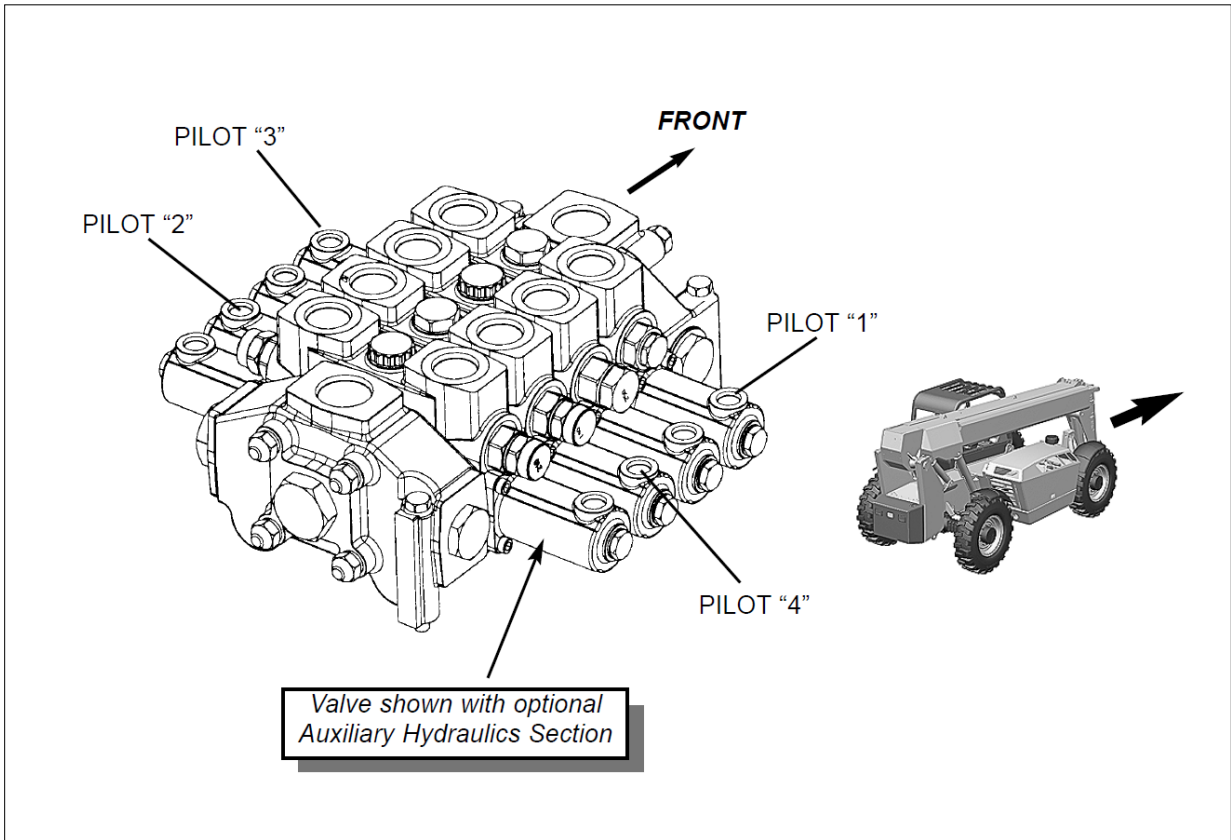
*Outrigger Cylinder
Right Side*



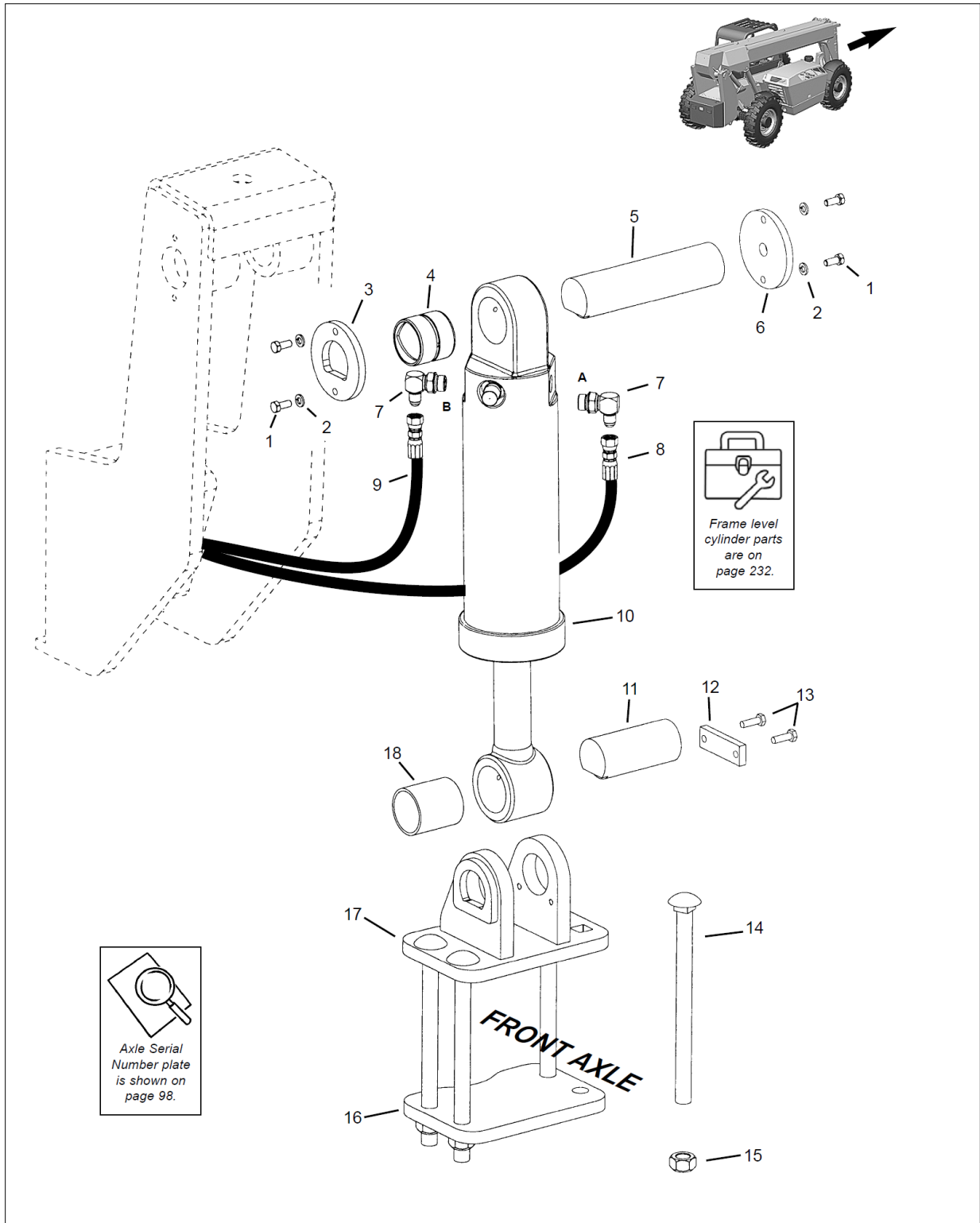
FRONT



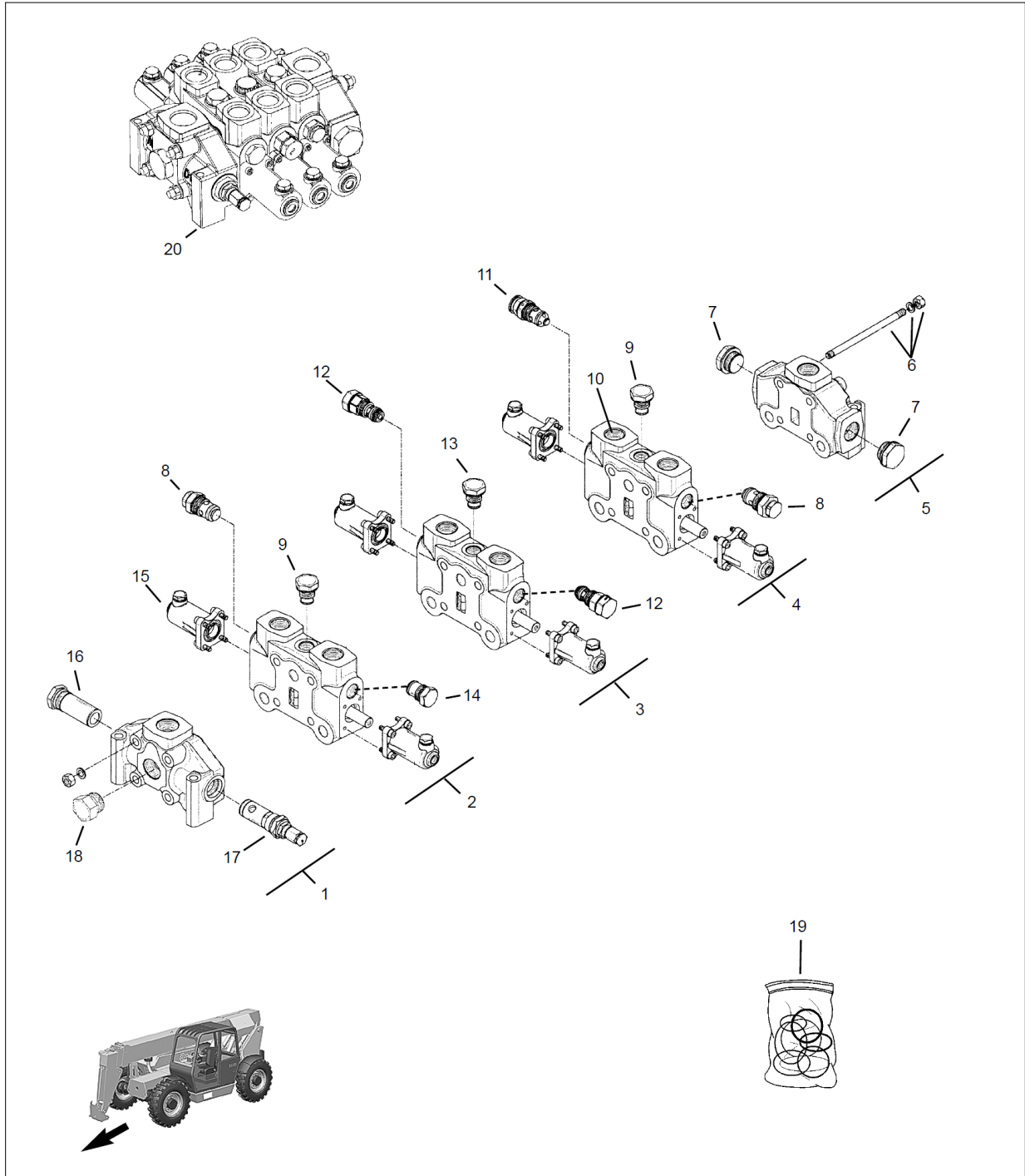
*Outrigger Cylinder
Left Side*



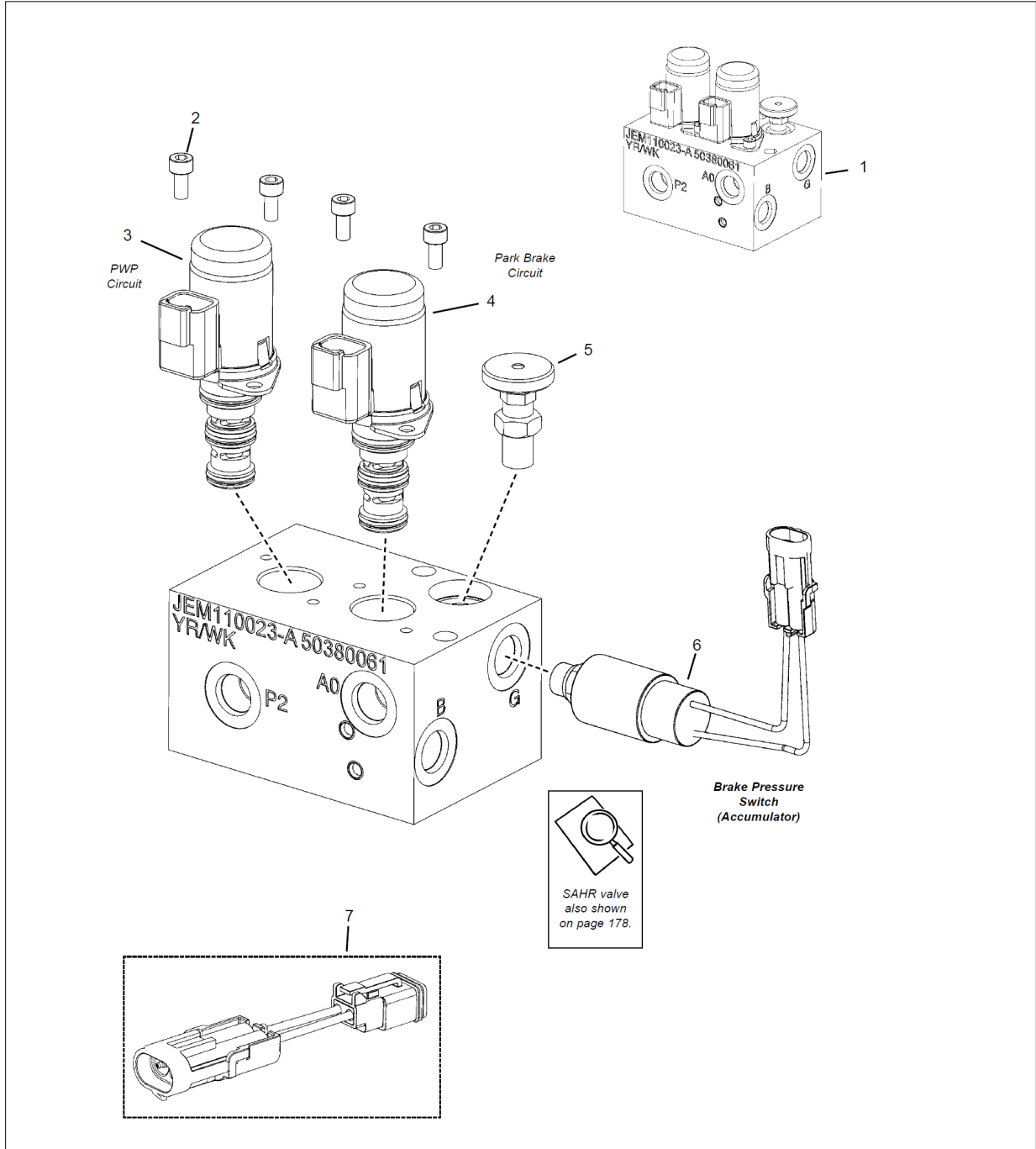
Hydraulics Frame Level Cylinder Group



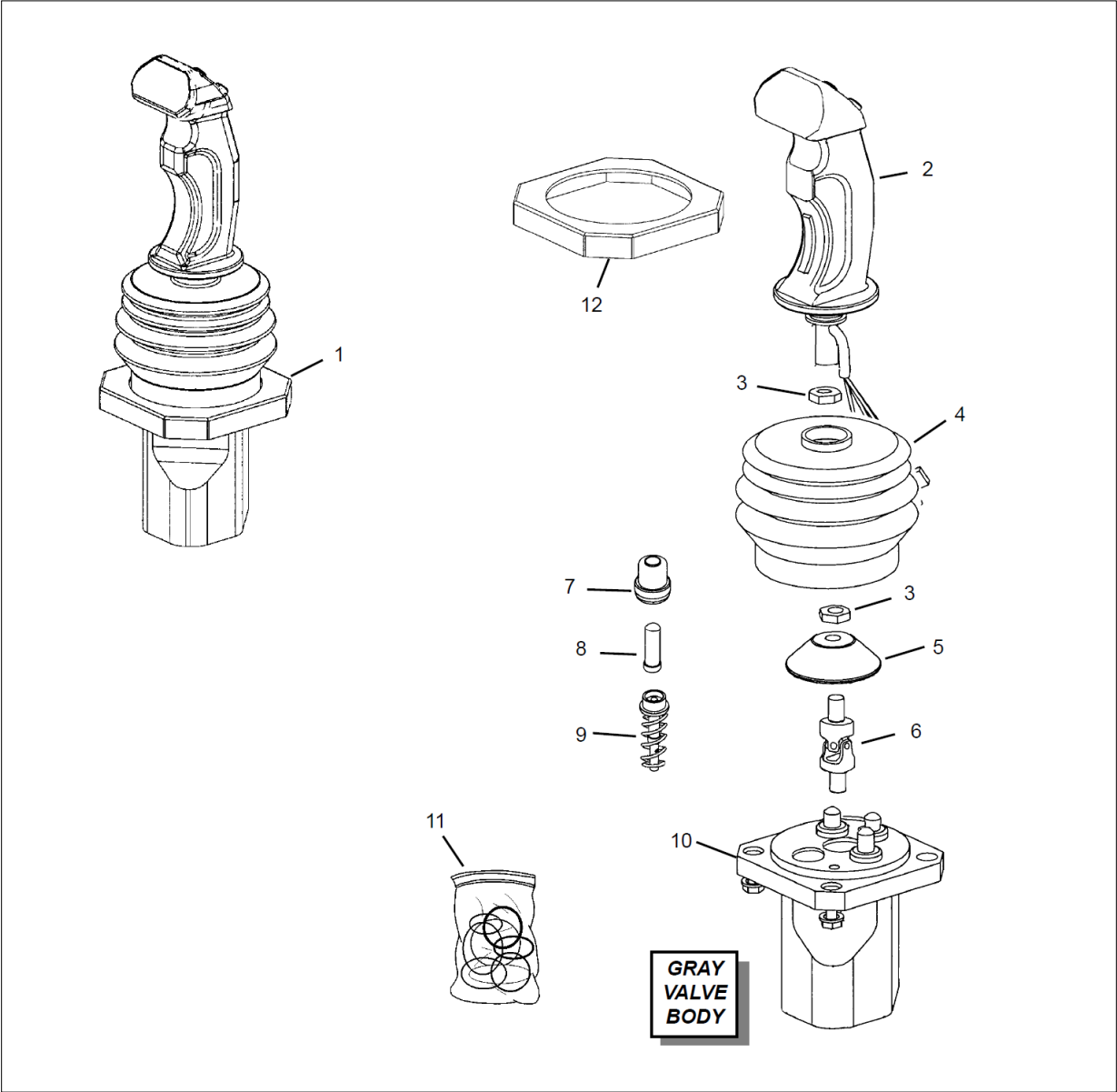
Hydraulic Components Hydraulic Control Valve



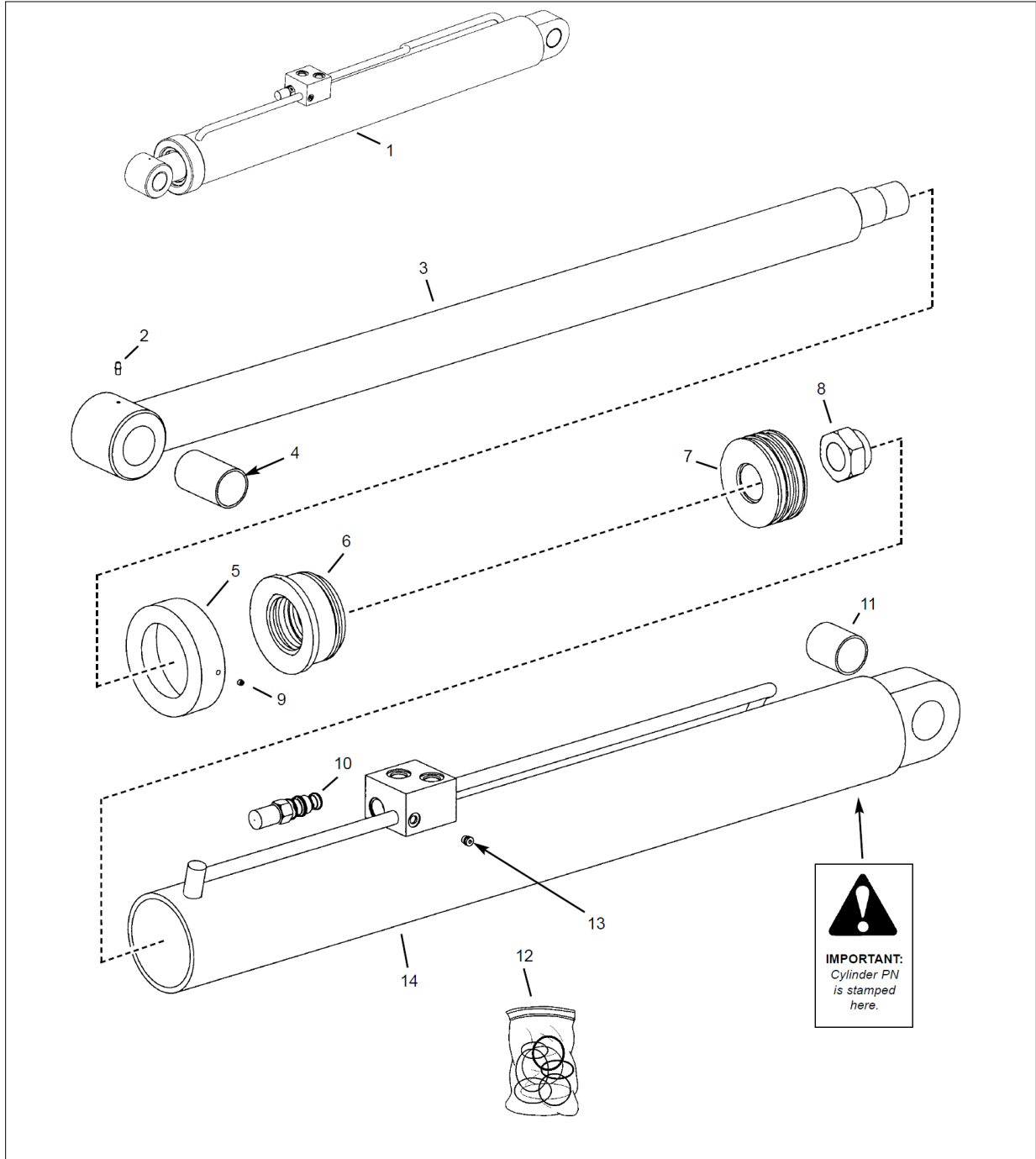
Hydraulic Components SAHR (Spring Applied Hydraulic Release) Valve



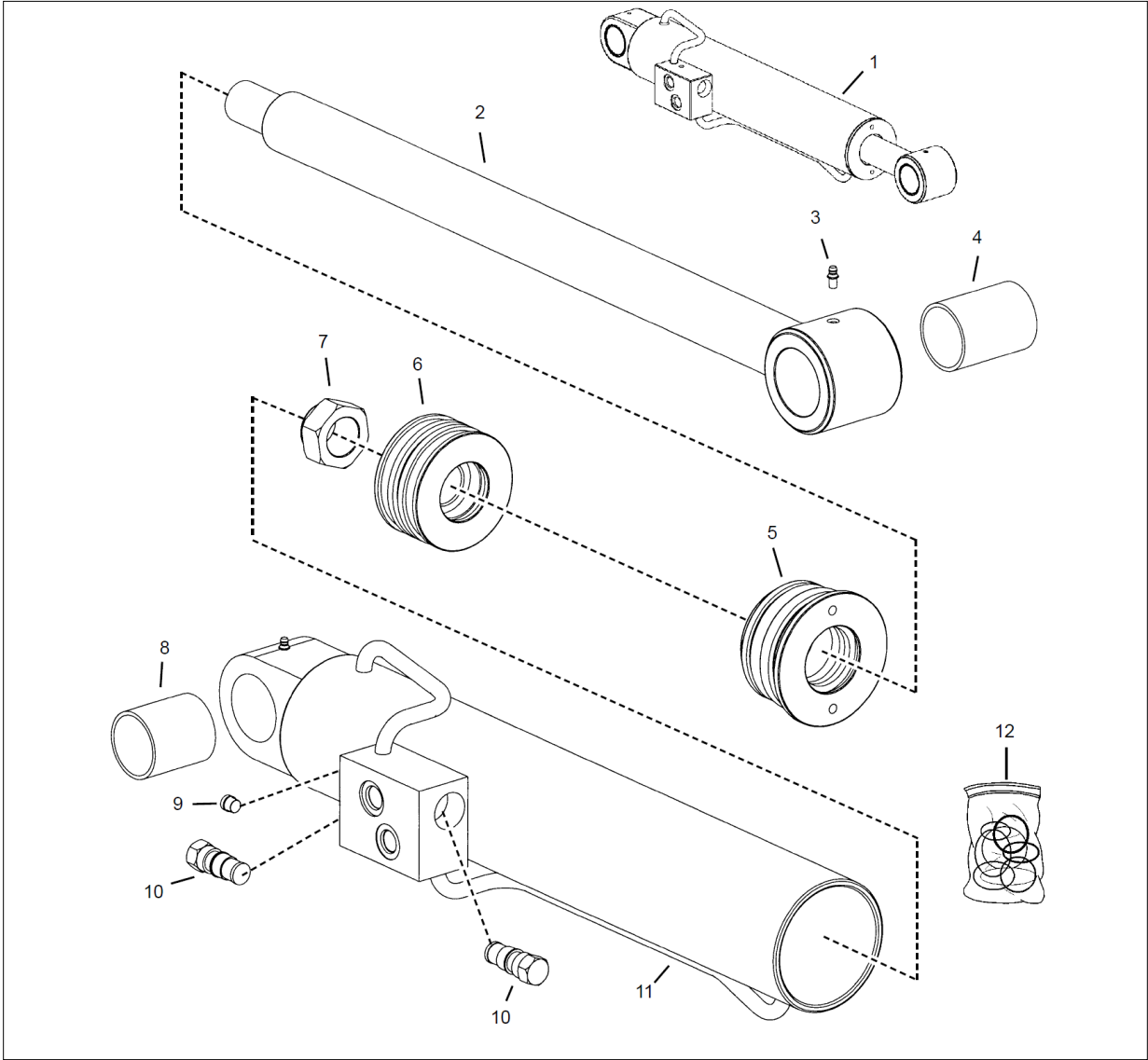
Hydraulic Components Dual-Function (Two-Button) Controller



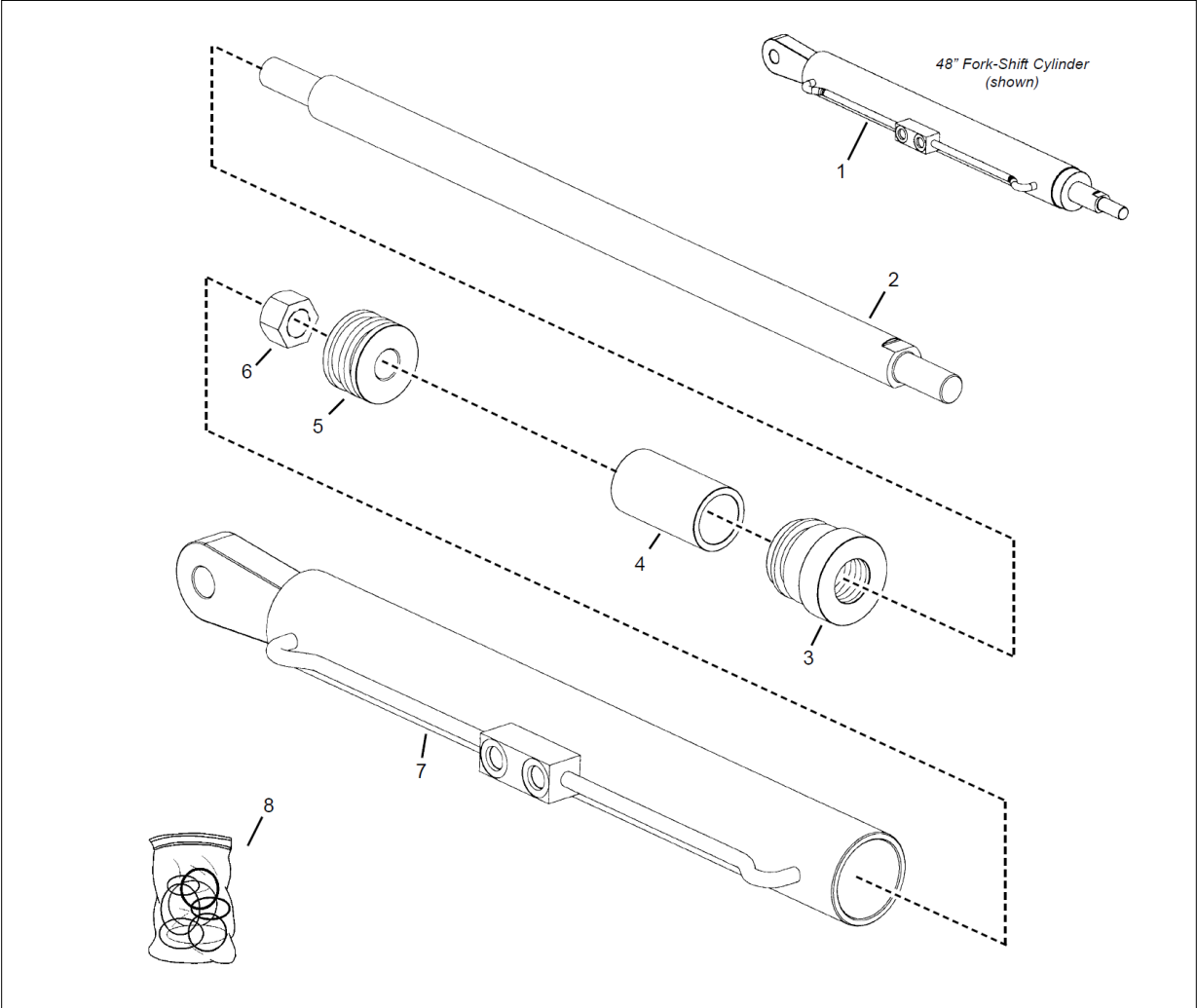
Cylinders Hydraulic Boom Lift Cylinder



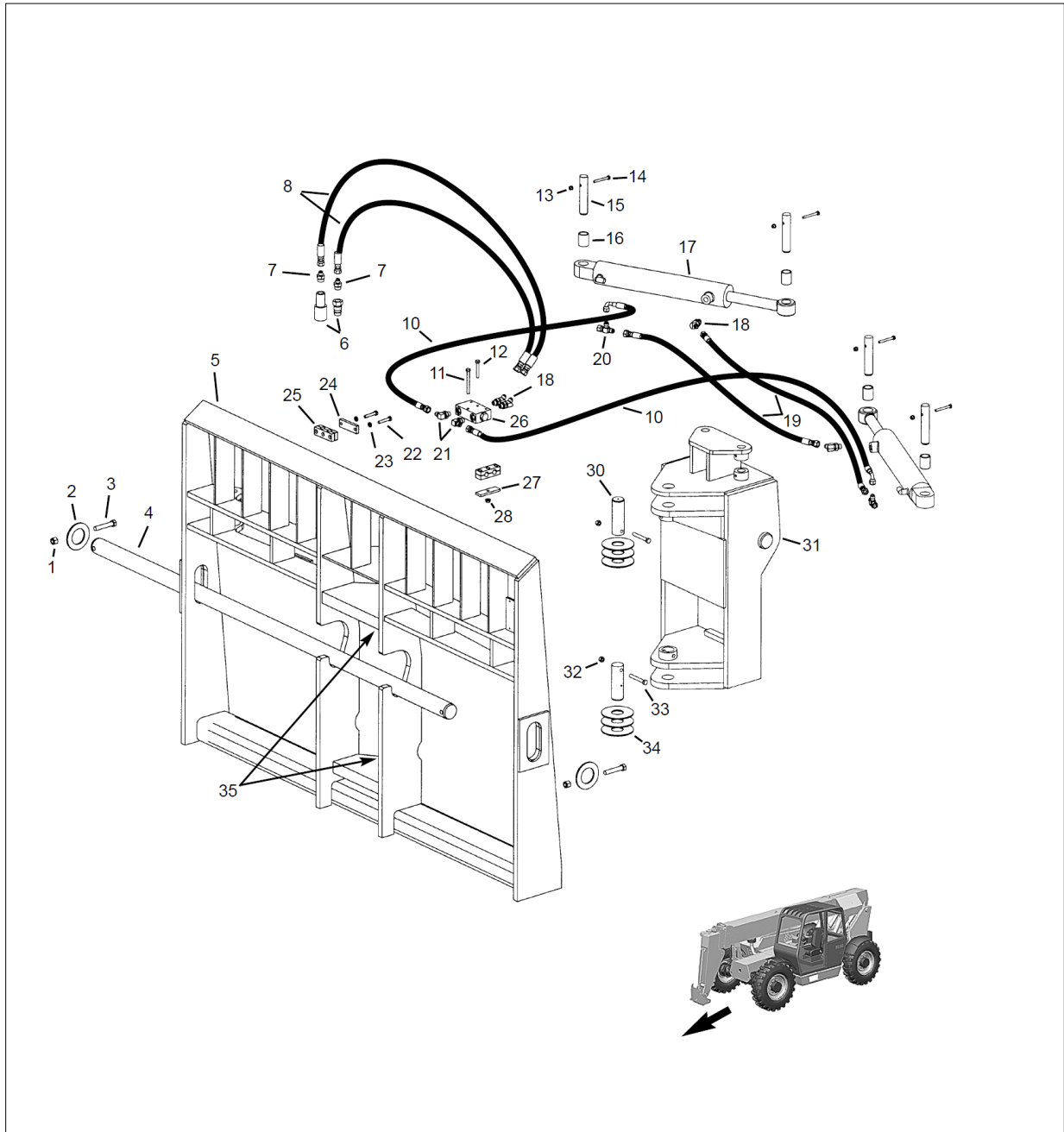
Cylinders Hydraulic Outrigger Cylinder



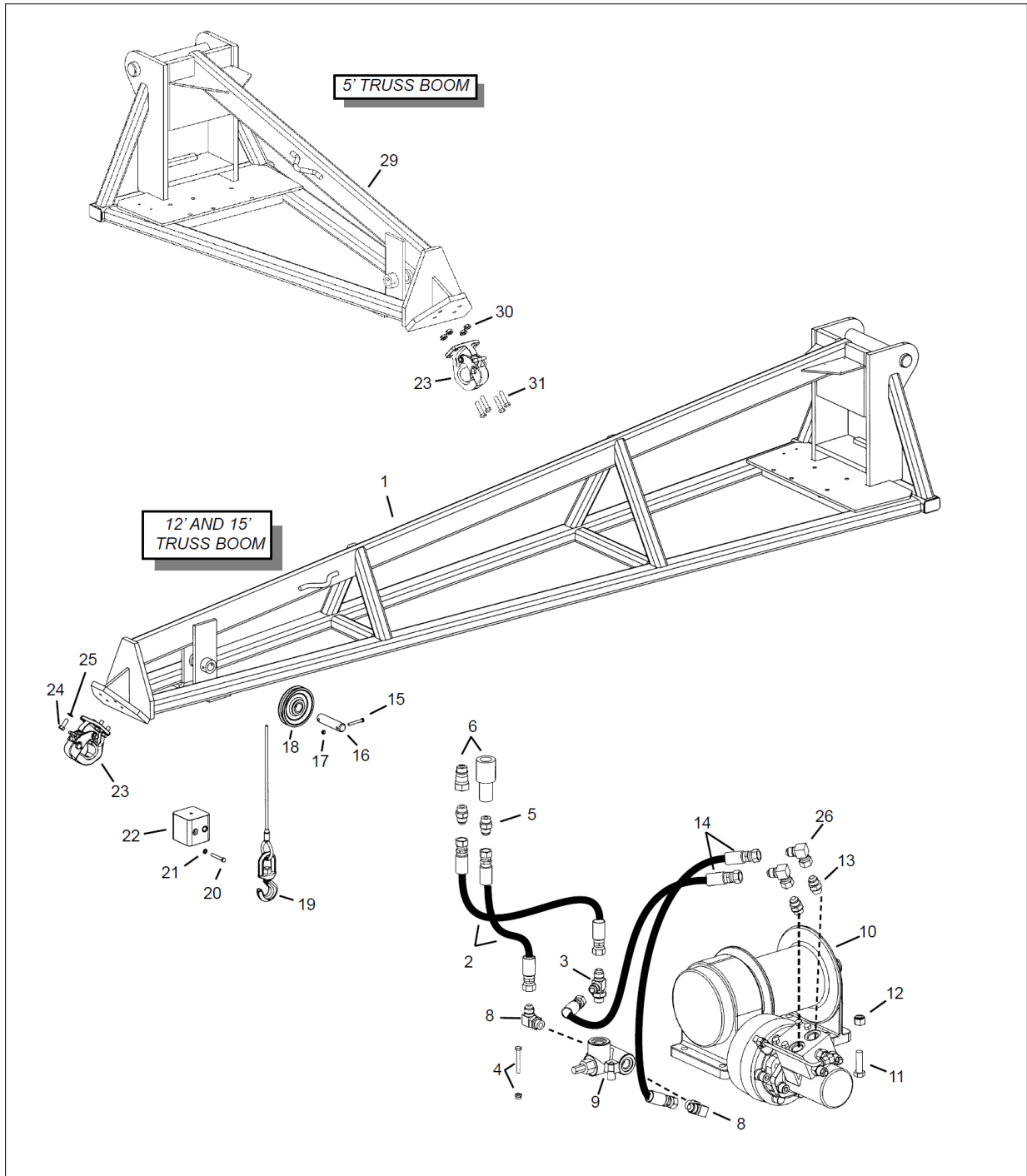
Cylinders Hydraulic 48" and 72" Fork-Shift Cylinder



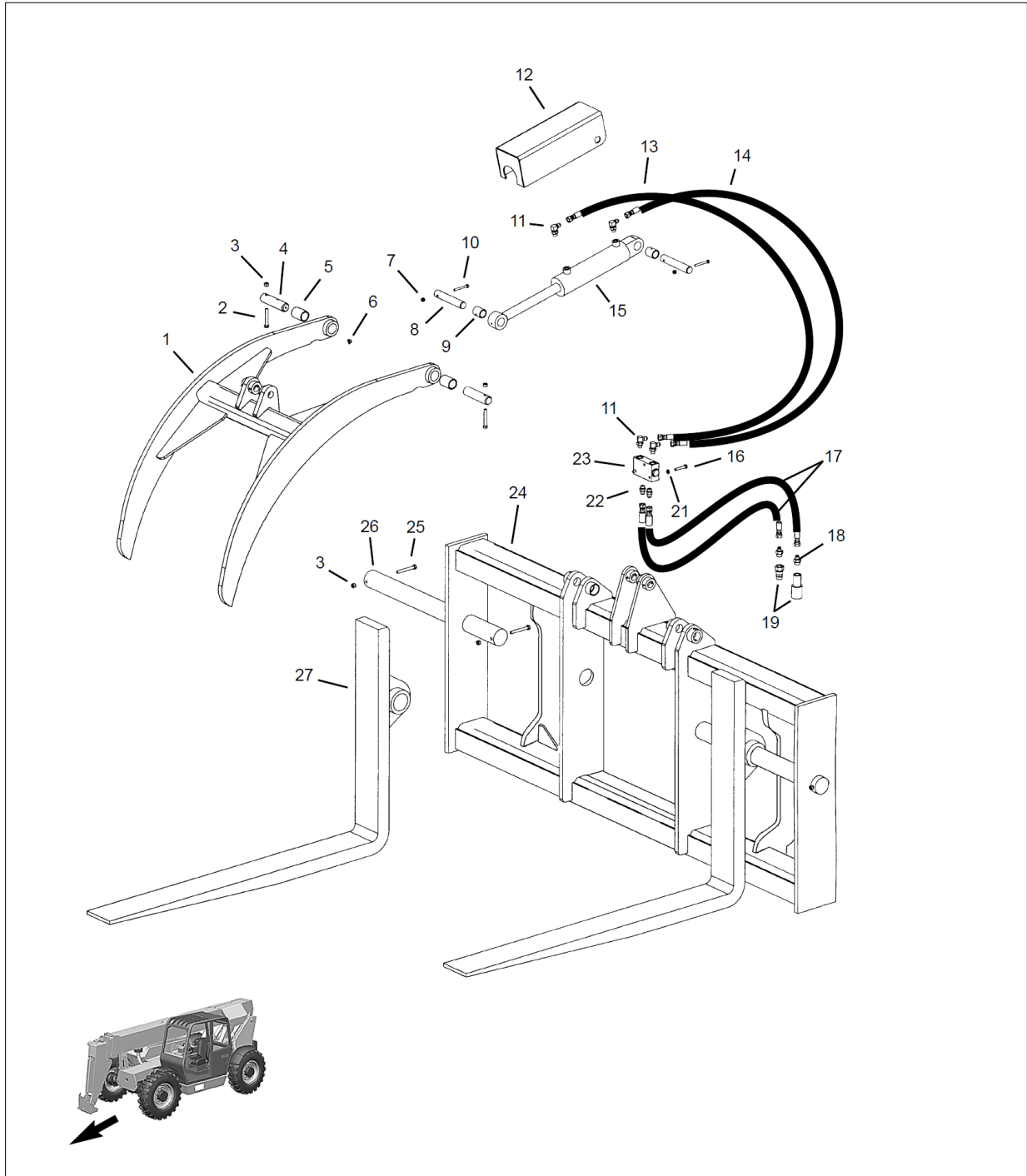
Dynatach Attachments Dynattach® Swing Carriage



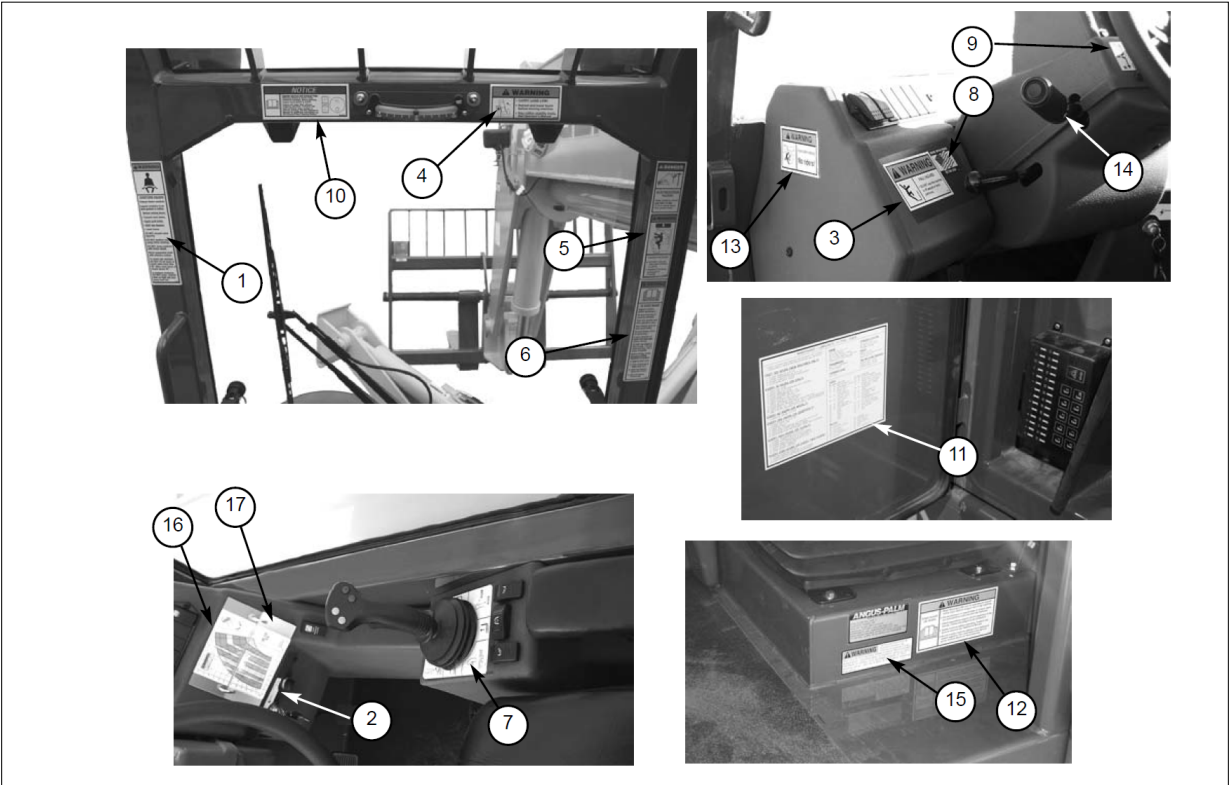
Dynatach Attachments Dynattach® Truss Boom and Winch / Bucket



DynacARRIER Attachments DynacARRIER® Log/Pipe Carriage



Decals Cab (DL7)



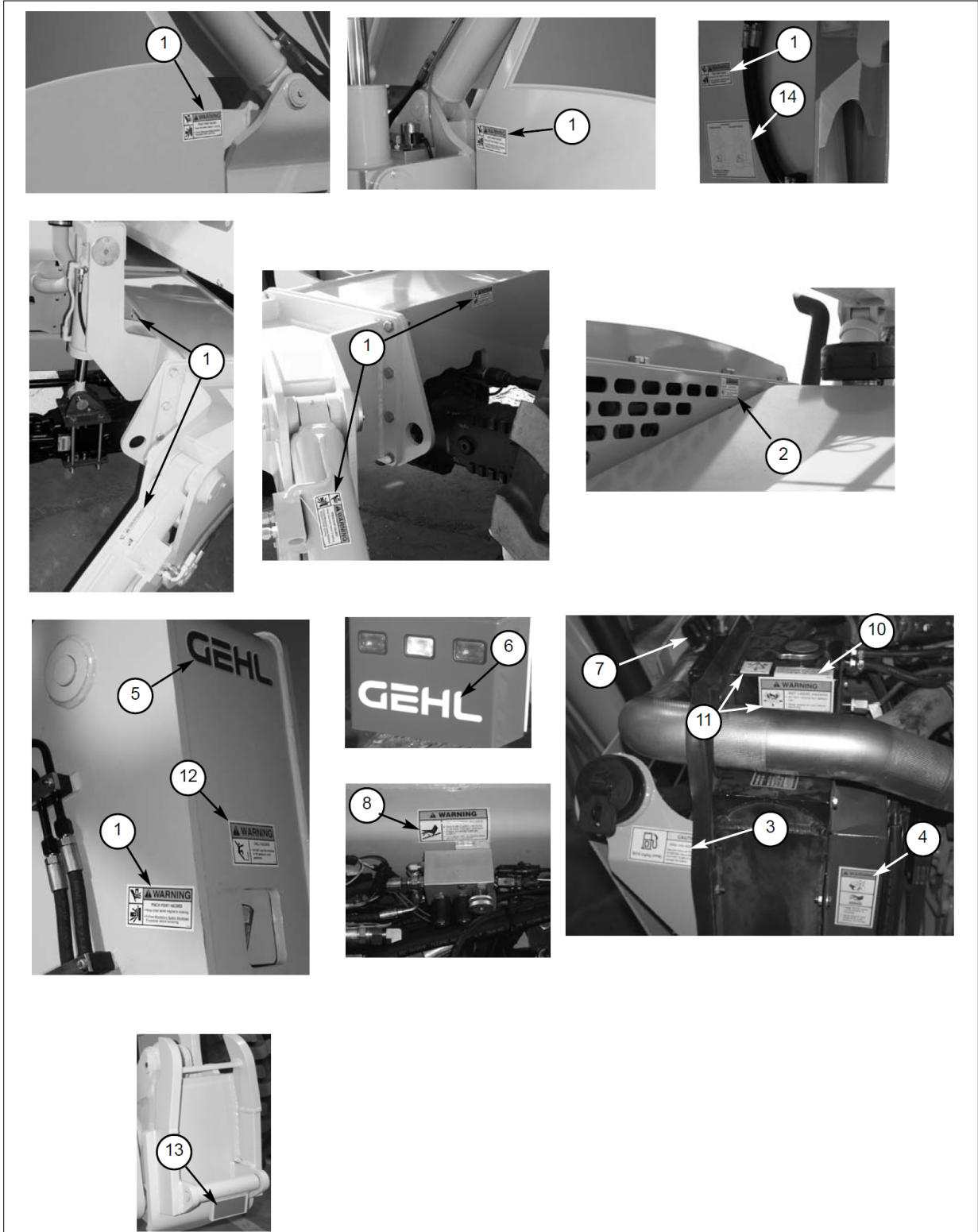
Decals Frame and Boom (DL9)



Decals Personnel Work Platform System (DL11)



Decals Various (DL12)



102897	198	103518	454, 474
102968	86	103519	454, 474
102969	502, 504, 506, 508	103520	454, 474
103010	48, 52	103528	476
103013	26	103744	86
103028	502, 504, 506, 508	103873	90
103046	396	103878	370, 412
103047	396	103899	332
103048	396	103900	274, 279, 332
103049	396	103901	282, 284, 286, 332
103050	396	103902	288, 293, 332
103051	396	104016	412
103052	396, 398	104033	90
103053	396, 398	104065	78
103054	396	104078	78
103056	396	104083	414
103057	396	104084	416
103058	396	104114	107
103059	396, 398	104223	414, 416
103061	396	104304	414, 416
103063	396	104320	396
103065	396	104452	116
103066	396	104454	106
103067	396	104455	114
103068	396	104504	185, 194
103086	398	104517	184, 194
103087	398	104518	178
103099	84, 86	104546	185, 195
103101	18	104568	178, 184, 194
103104	18	104569	178, 184, 194
103159	18	104655	188, 198
103160	18, 43	104657	188
103161	18, 43	104658	188
103179	30	104675	86
103180	26	104725	18
103188	18	104736	394, 408
103194	332, 334, 338, 348, 352	104844	452, 470
103357	494, 496, 498, 500	104867	136
103358	494, 496, 498, 500	104869	170
103376	486, 488, 490, 492	104870	452
103391	188	104885	116
103413	344, 358, 362, 408	104904	286
103425	344, 358, 362	104952	18
103475	84, 86	104963	86
103476	84, 86	105054	120
103479	86	105059	120
103480	86	105065	120
103482	86	105069	470
103505	344, 358, 362	105070	6, 120
103506	344, 358, 362	105071	6, 120
103508	408	105082	168, 170
103509	408	105086	114
103510	408	105099	486, 488, 490, 492
103511	408	105103	43, 136, 140, 168
103512	408	105104	43, 140
103513	408	105105	124
103514	408	105159	332, 396
103517	454, 474	105161	282, 284, 286, 332

CLICK HERE TO **DOWNLOAD** THE COMPLETE MANUAL

- Thank you very much for reading the preview of the manual.
- You can download the complete manual from: www.heydownloads.com by clicking the link below



- Please note: If there is no response to CLICKING the link, please download this PDF first and then click on it.

CLICK HERE TO **DOWNLOAD** THE COMPLETE MANUAL