




**GENUINE PARTS CATALOGUE  
CATALOGUE PIÈCES D'ORIGINE  
ORIGINAL ERSATZTEILKATALOG  
CATALOGO DE PIEZAS LEGITIMAS  
CATALOGO RICAMBI ORIGINALI**

This document has been printed from  **mye doc**

### **MANITOU BF**

Head office: 430, Rue de l'Aubinière  
44150 Ancenis - FRANCE  
Share capital: 39,548,949 euros  
857 802 508 RCS Nantes  
Tel: +33 (0)2 40 09 10 11  
[www.manitou.com](http://www.manitou.com)

CLICK HERE TO **DOWNLOAD** THE COMPLETE MANUAL

- Thank you very much for reading the preview of the manual.
- You can download the complete manual from: [www.heydownloads.com](http://www.heydownloads.com) by clicking the link below



- Please note: If there is no response to CLICKING the link, please download this PDF first and then click on it.

CLICK HERE TO **DOWNLOAD** THE COMPLETE MANUAL

Item	Part No.	Name	Characteristics	Qty	Superseded PartNumber	Machine applicability
0-1	180776	ROLLER SUB ASSY, track		2		
1	NSS	.ROLLER		1		
2	180853	.SHAFT		1		
3	180226	.COVER		1		
4	180227	.COVER		1		
5	180657	.PLATE		1		
6	180658	.PLATE		1		
7	180052	.BEARING		2		
8	180838	.SEAL, floating TWO PIECES EQUALS ONE SEAL		2		
8-1	NSS	..O-RING TWO PIECES EQUALS ONE SEAL		2		
8-2	NSS	..RING, seal TWO PIECES EQUALS ONE SEAL		2		
9	180552	.O-RING		2		
10	180684	.PLUG		1		
11	180088	BOLT		2		
12	180105	.BOLT		1		
13	181051	WASHER, spring		2		
14	180095	BOLT		8		
15	181032	WASHER		8		

Item	Part No.	Name	Characteristics	Qty	Superseded PartNumber	Machine applicability
1	NSS	Frame		1		
2	180223	COVER		1		
3	180224	COVER		1		
4	181946	COVER(L.H.)		1		
5	181947	COVER(R.H.)		1		
6	180222	COVER		1		
7	180228	COVER		4		
10	181494	BOLT		28		
12	181051	WASHER, spring		32		
13	181023	WASHER		18		
14	181008	WASHER		14		
15	180218	COVER		2		
16	180077	BOLT		4		
17	181050	WASHER, spring		4		
18	181022	..WASHER		4		
19	196064	CAP		16		

Item	Part No.	Name	Characteristics	Qty	Superseded PartNumber	Machine applicability
1	185864	FOOT, engine (F.L.)		1		
2	185865	FOOT, engine (F.R.)		1		
3	196225	FOOT, engine (R.L.)		1		
Not Shown	185866	FOOT, engine (R.L.)		1		
5	196214	FOOT, engine (R.R.)		1		
15	185854	HOSE		1		
18	196317	PIPE		1		
19	186102	PLATE		1		
21	181016	WASHER		4		
22	196377	CLEANER ASSY, air		1		
31	196108	ENGINE YANMAR 4TNV98-ZNTBL		1		
36	138104	Gasket		1		
41	180794	RUBBER, cushion		4		
42	180795	RUBBER, cushion		4		
48	180808	.BOLT		6		
49	180087	BOLT		1		
52	180100	BOLT		4		
53	181516	SCREW, cap		8		
54	180518	NUT		6		
55	180518	NUT		2		
56	181022	..WASHER		4		
57	181023	WASHER		1		
58	181012	..WASHER		4		
62	180085	BOLT		1		
63	181050	WASHER, spring		12		
64	181051	WASHER, spring		3		
66	181053	WASHER, spring		4		
68	181018	WASHER/STAR		2		
69	196333	CABLE, earth		1		
81	181603	BAND		2		
82	185720	BAND		1		
84	188284	SCREW, cap		8		
85	181531	WASHER		8		
86	181024	WASHER		8		
87	186574	STICK, oil dip		1		
88	197710	GUIDE/DIPSTICK		1		



Item	Part No.	Name	Characteristics	Qty	Superseded PartNumber	Machine applicability
0-1	NSS	UNIT ASSY, RELAY				
1	196351	.RELAY UNIT		1		
1-1	185891	..BOX		1		
1-2	193206	RELAY/20AMP		1		
1-3	180733	..RELAY		4		
1-4	196026	..NUT		1		
1-5	197036	..HARNESS, wiring		1		
1-6	185892	..RESISTOR		1		
1-7	180046	..BAND		5		
1-8	196722	.LAMP, pilot		1		
1-9	196065	TRIM 100 CM		1		
1-10	180730	..RELAY		1		
1-12	180070	BOLT (Not Shown)		4		
1-13	181012	..WASHER		2		
1-14	180077	BOLT		2		
1-15	180516	..NUT		4		
1-16	180527	..NUT		2		
1-17	181049	.WASHER, spring		9		
1-18	181050	WASHER, spring		4		
1-19	181021	..WASHER		9		
1-20	181022	..WASHER		2		
1-21	196716	..BUSHING		1		
1-22	197035	.HARNESS ASSY, joint		1		
1-22-1	197040	BAND		1		
1-22-2	197041	HARNESS ASSY, JOINT		1		
1-22-3	197061	HARNESS, JOINT		4		
1-23	197050	..HARNESS, joint		1		
2	185889	.HARNESS ASSY, wiring		1		
2-1	180306	..DIODE (3A yellow)		4		
2-2	181978	..PROTECTOR 35 CM		1		
2-3	197223	..PROTECTOR 60 CM		1		
2-4	197220	..PROTECTOR 68 CM		1		
2-5	197225	..PROTECTOR 90 CM		1		
2-6	185846	..CONNECTOR, short		1		
2-7	196379	..BOX, fuse		1		
2-8	180505	..LINK, fusible 45 A		2		
2-9	196334	..DIODE (3A)		1		
2-10	197222	..PROTECTOR 40 CM		1		

Item	Part No.	Name	Characteristics	Qty	Superseded PartNumber	Machine applicability
2	185112	CONTROLLER (KPM)		1		
3	196138	HOSE 2 CM		4		
4	181499	BOLT (KPM)		4		
5	185211	.WASHER		5		
6	186679	E-ECU		1		
7	180518	NUT		11		
8	181051	WASHER, spring		13		
9	181018	WASHER/STAR		1		
10	180085	BOLT		2		
11	180075	BOLT		2		
12	181050	WASHER, spring		5		
14	180046	..BAND		40		
15	185890	HARNESSES, wiring		1		
17	199959	CLAMP		1		
20	180386	HORN		1		
21	196071	BUZZER (BACKUP ALARM)		1		
23	182835	RUBBER		1		
25	180969	TUBE		16		
26	180233	.COVER		2		
27	180070	BOLT (Not Shown)		2		
28	180516	..NUT		7		
29	181049	.WASHER, spring		14		
30	181021	..WASHER		9		
31	181931	BOLT		5		
35	185426	.STICKER		2		
37	196727	CLAMP		1		
38	181656	CLAMP		6		
39	181657	CLAMP		6		
40	185409	BAND		1		
41	197086	CONTROLLER (SPK)		1		
42	197034	BRACKET (SPK)		1		
43	197046	HARNESSES, wiring (SPK)		1		
44	197080	BUSHING		1	197080a	
45	197081	BAND		1		
46	196686	WASHER		2		
47	50250001	UNIT ASSY, relay		1		
48	50250002	HARNESSES, wiring		1		

Item	Part No.	Name	Characteristics	Qty	Superseded PartNumber	Machine applicability
1	185508	PLATE		1		
2	197284	CLAMP		1		
Not Shown	180194	CLAMP		1		
3	180106	BOLT		2		
4	197301	CABLE, earth		1		
Not Shown	180174	CABLE, EARTH		1		
5	196176	PROTECTOR 30 CM		1		
6	180952	TERMINAL		1		
7	181651	COVER		1		
8	196070	CAP		1		
9	180045	BAND		3		
10	180720	PROTECTOR 100 CM		1		
11	NSS	BATTERY 12 V, 600 CCA, 100E41R GROUP SIZE, 182 RESERVE CAPACITY		1		
12	50250003	CABLE, battery		1		
Not Shown	196068	CABLE, battery		1		
13	180085	BOLT		2		
14	181494	BOLT		1		
Not Shown	180518	NUT		1		
15	181051	WASHER, spring		3		
16	181023	WASHER		2		
17	181018	WASHER/STAR		1		
18	181657	CLAMP		1		
19	180969	TUBE		6		
20	197285	SHEET		1		
Not Shown	185511	SHEET		1		
21	197289	DECAL		1		
24	181049	.WASHER, spring		2		
26	180077	BOLT		3		
27	180518	NUT		4		
28	181050	WASHER, spring		3		
29	181022	..WASHER		5		
30	180070	BOLT (Not Shown)		2		
31	181011	WASHER		2		
33	196485	RUBBER		2		
Not Shown	181982	PLATE, rubber		2		
35	181977	PROTECTOR 15 CM		1		

Item	Part No.	Name	Characteristics	Qty	Superseded PartNumber	Machine applicability
22	181050	WASHER, spring		4		
23	181051	WASHER, spring		6		
24	181052	WASHER, spring 12 MM		3		
25	181022	..WASHER		2		

Item	Part No.	Name	Characteristics	Qty	Superseded PartNumber	Machine applicability
1	NSS	TANK SUB ASSY, fuel		1		
1-1	185520	.TANK, fuel		1		
1-2	180335	.FLANGE		1		
1-3	180336	.FLANGE		1		
1-4	180993	.FLANGE		1		
1-5	180337	.FLANGE		1		
1-6	180802	.SCREW		5		
1-7	180824	.SCREW, cap		8		
1-8	181049	.WASHER, spring		8		
1-9	180680	.PLUG		1		
Not Shown	180540	..O-RING		1		
1-10	180544	.O-RING		4		
1-11	180564	.O-RING		2		
1-12	180338	.FLANGE		1		
1-13	180041	.BAND		1		
1-14	180206	.COLLAR		1		
1-15	181498	BOLT		1		
1-16	181049	.WASHER, spring		1		
1-17	181009	.WASHER		1		
1-18	181017	.RUBBER, cushion		4		
1-19	185237	.SHEET		1		
1-20	180845	.SENDER, fuel		1		
1-21	188313	.BAND		4		
1-22	180801	.SCREW		5		
1-23	181928	TIE STRAP/LARGE PLASTIC		1		
1-24	180394	.HOSE 63 CM		1		
1-25	180403	.HOSE 160 CM		1		
1-26	181595	.HOSE 320 CM		1		
1-27	180400	.PROTECTOR 150 CM		1		
1-28	180799	SCREW		4		
1-29	180196	BAND		1		
1-32	196144	.PROTECTOR 158 CM		2		
2	185940	PORT, supply		1		
3	NSS	PLATE ASSY		1		
3-1	180653	PLATE		1		
3-2	180780	RUBBER		1		
4	180652	PLATE		1		
5	180039	BAND		1		

Item	Part No.	Name	Characteristics	Qty	Superseded PartNumber	Machine applicability
0-1	185950	DOOR ASSY, rear		1		
1	185951	.DOOR, rear		1		
2	196002	STRIKER		1		
3	196004	.ROD		1		
4	197054	PLATE		1		
Not Shown	196005	.PLATE		1		
5	182649	PIN		1		
6	182653	SPRING		1		
7	180614	PIN, snap		2		
8	180177	.CAP		1		
9	180165	BUSHING		1		
11	185087	.TRIM 41 CM		2		
12	180079	BOLT		2		
13	181050	WASHER, spring		2		
14	181024	WASHER		1		
15	181012	..WASHER		2		
16	181082	SPACER 4.5 MM		AR		
17	197234	.TRIM 189 CM		1		
18	197230	.TRIM 58 CM		1		
19	197139	PLATE		1		
20	180808	.BOLT		2		
21	181022	..WASHER		2		

Item	Part No.	Name	Characteristics	Qty	Superseded PartNumber	Machine applicability
Not Shown	188178	SWITCH ASSY, seat		1		
1	185474	SWITCH KIT/seat		1		
3	185267	HARNESS/wiring		1		
4	188179	.HARNESS, wiring		1		
5	180070	BOLT (Not Shown)		1		
7	181049	.WASHER, spring		1		
8	181021	..WASHER		1		
9	180046	..BAND		5		
10	188322	..SPONGE 5 CM		1		
11	180730	..RELAY		1		
12	185426	..STICKER		5		

CLICK HERE TO **DOWNLOAD** THE COMPLETE MANUAL

- Thank you very much for reading the preview of the manual.
- You can download the complete manual from: [www.heydownloads.com](http://www.heydownloads.com) by clicking the link below

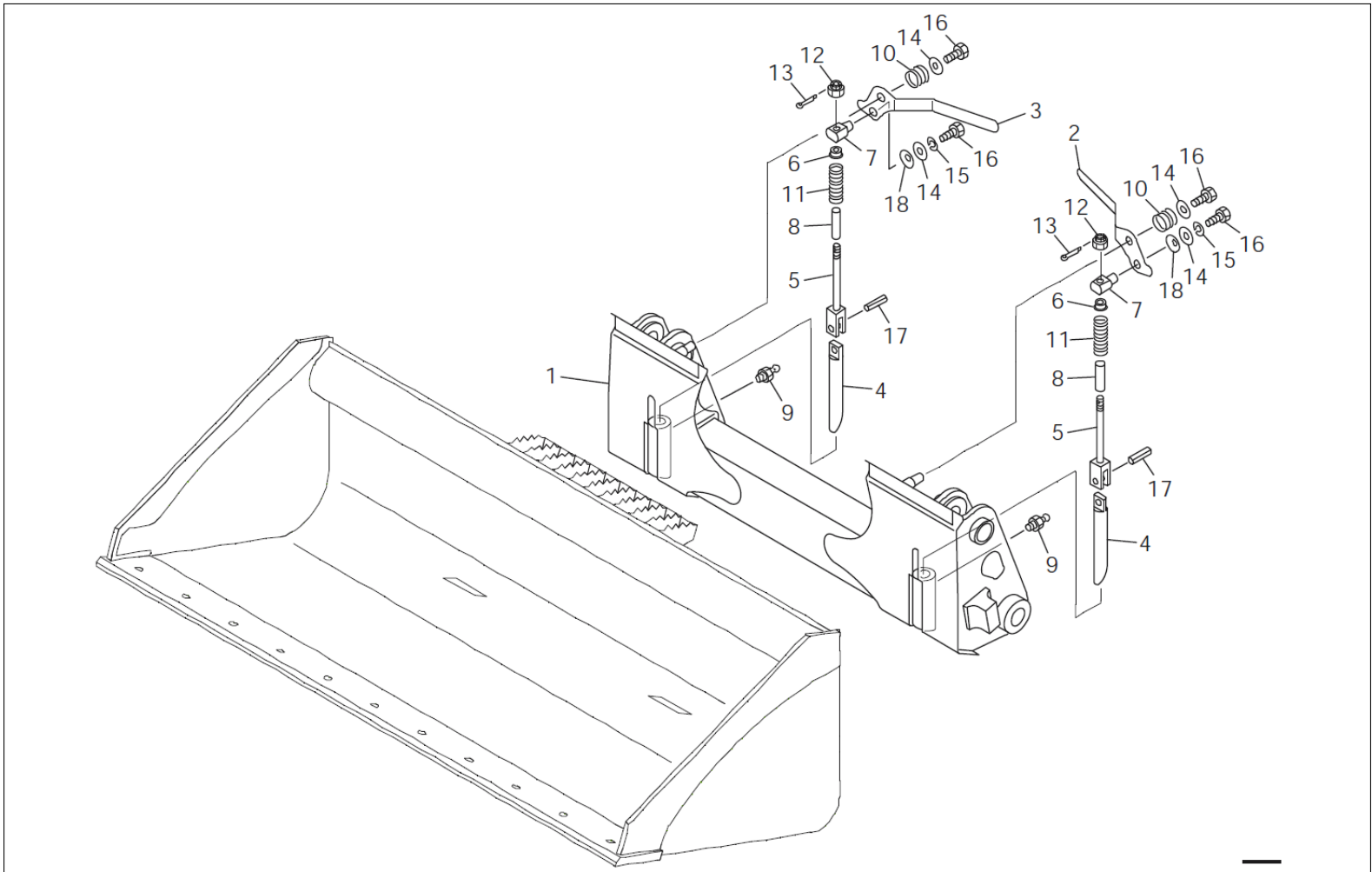


- Please note: If there is no response to CLICKING the link, please download this PDF first and then click on it.

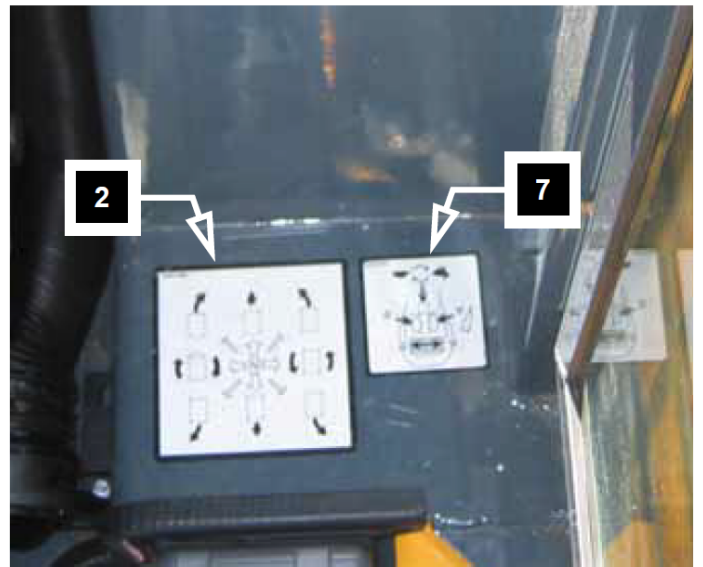
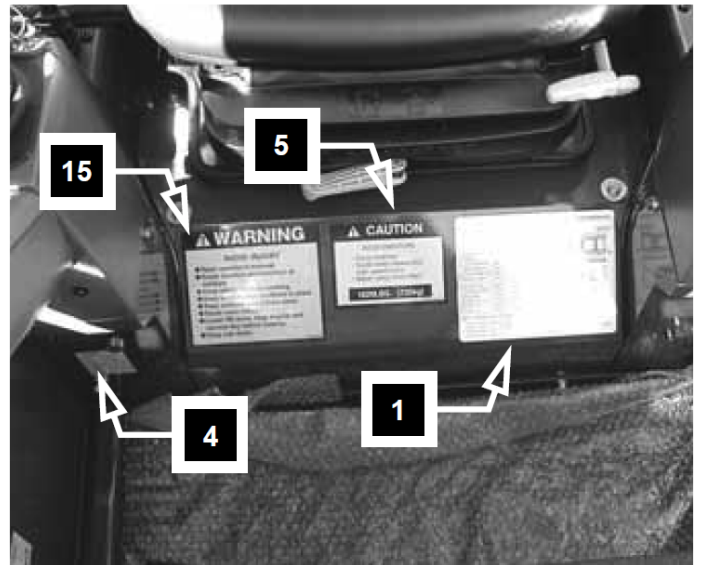
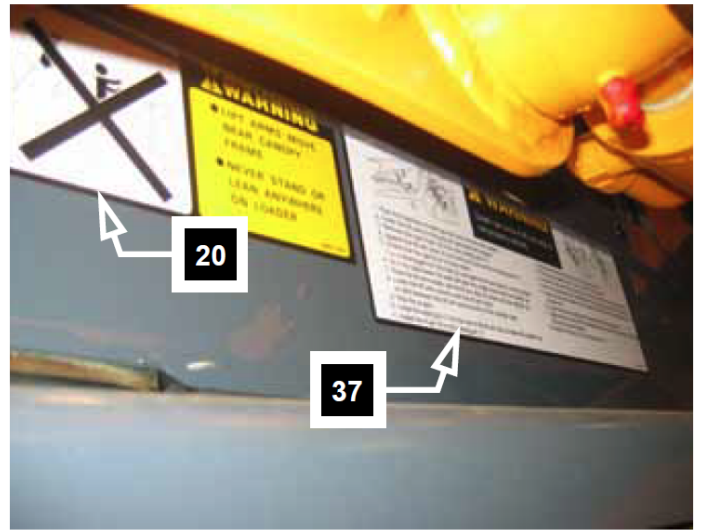
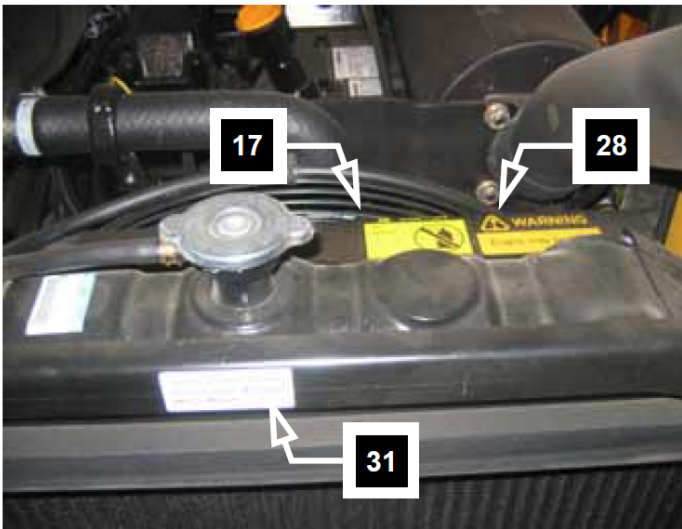
CLICK HERE TO **DOWNLOAD** THE COMPLETE MANUAL

Item	Part No.	Name	Characteristics	Qty	Superseded PartNumber	Machine applicability
Not Shown	196006	CANOPY ASSY		1		
48	181051	WASHER, spring		1		
51	188256	.HARNESS, wiring		1		
52	180518	NUT		1		
53	181018	WASHER/STAR		1		
54	180370	.GROMMET		3		
55	180371	GROMMET		1		
56	181612	.GROMMET		2		
57	197144	.POCKET		1		
58	197141	.SCREW		4		

SECTION A: MAIN LOADER COMPONENT



DECALS



Item	Part No.	Name	Characteristics	Qty	Superseded PartNumber	Machine applicability
1	180296	DECAL		1		
2	180297	DECAL		1		
3	180298	DECAL		1		
4	180293	DECAL		1		
5	180294	DECAL		1		
6	180304	DECAL		1		
7	180299	DECAL		1		
8	180300	DECAL		1		
9	180279	DECAL		1		
10	180286	DECAL		1		
11	180280	DECAL		1		
12	180281	DECAL		1		
13	180282	DECAL		1		
14	180287	DECAL		1		
15	180301	DECAL		1		
16	180283	DECAL		1		
17	180284	DECAL		1		
18	180285	DECAL		2		
19	180292	DECAL		1		
20	180288	DECAL		2		
21	180302	DECAL		1		
22	180291	DECAL		1		
23	180271	DECAL		2		
24	180272	DECAL		1		
25	180273	DECAL		1		
26	180289	DECAL		1		
27	180290	DECAL		1		
28	180278	DECAL		1		
29	180275	DECAL		1		
30	180274	DECAL		1		
31	180276	DECAL		1		
32	180277	DECAL		1		
33	180303	DECAL		1		
34	181116	DECAL		1		
35	199905	DECAL		1		
36	199925	DECAL		1		
37	185736	DECAL		1		
38	195015	DECAL/CTL65 RIGHT		1		

Item	Part No.	Name	Characteristics	Qty	Superseded PartNumber	Machine applicability
35	NSS	.PISTON		2		
36	NSS	.PLUG		2		
37	197107	SLEEVE		1		
38	197108	NUT		1		
39	197087	PLUG		1		
40	197109	ADAPTOR		1		
41	197110	TERMINAL		2		
42	197111	SEAL		2		
43	197112	HOLDER		1		
44	197113	SOCKET		1		
45	197114	SPOOL		1		
46	197115	SPRING		1		
47	197116	SOLENOID		1		
48	197059	BOLT		2		
49	197123	SPOOL ASSY		1		
50	197122	SPOOL ASSY		1		
51	197117	PLUG		2		
52	197118	VALVE, relief		4		
Not Shown	180544	.O-RING		1		
53	197119	.VALVE, relief		2		
Not Shown	197063	.O-RING		1		
54	197120	TUBE		1		
55	197091	.VALVE, relief		1		
56	197121	GUIDE, piston		2		

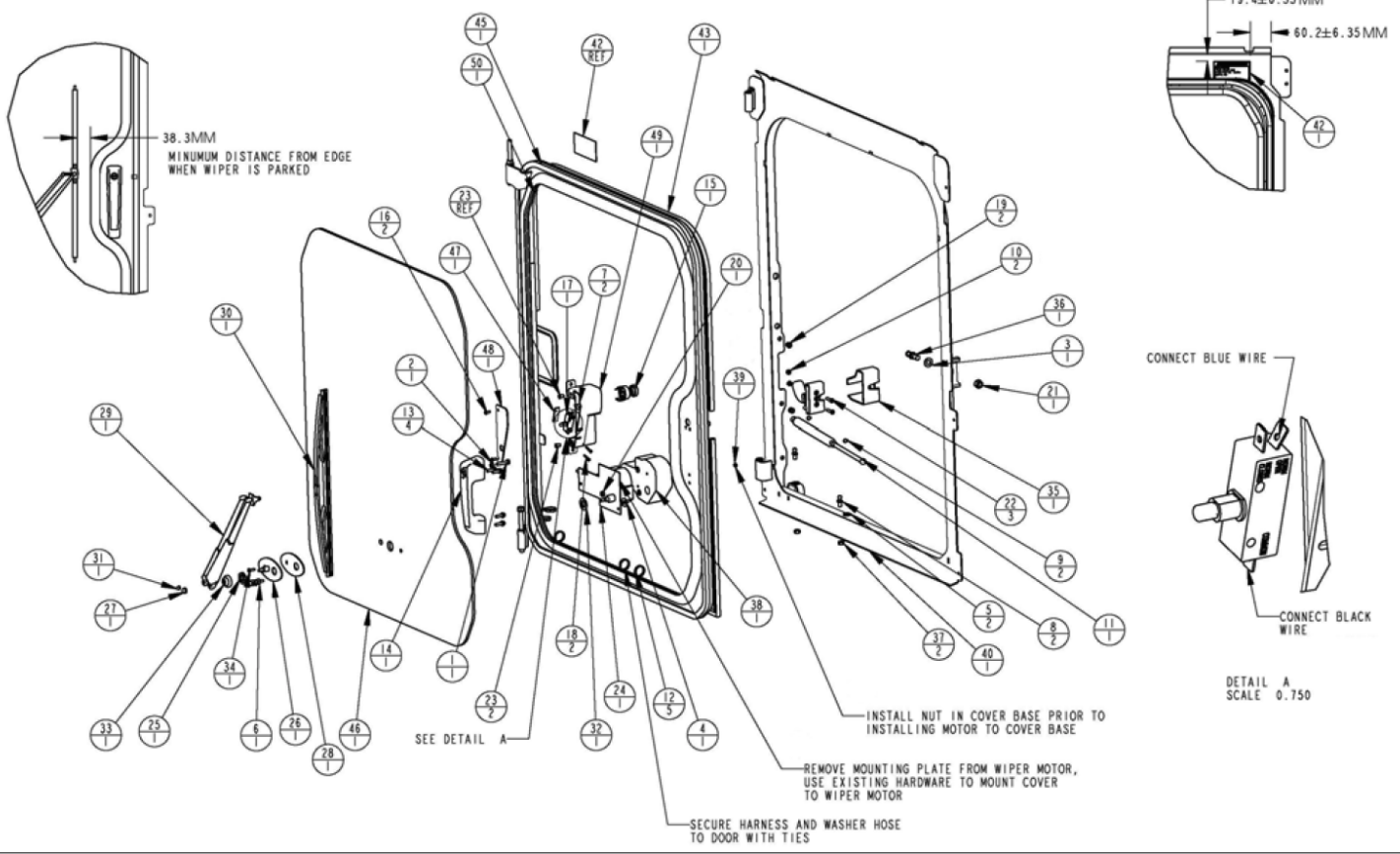
Item	Part No.	Name	Characteristics	Qty	Superseded PartNumber	Machine applicability
0	196081	VALVE, sub		1		
0-1	196091	KIT, seal		1		
1	NSS	..O-RING		1		
2	NSS	..O-RING		1		
3	NSS	..O-RING		2		
4	NSS	..O-RING		2		
5	NSS	..O-RING		1		
6	NSS	..O-RING		5		
7	NSS	..O-RING		1		
8	NSS	..O-RING		1		
9	180715	POPPET		1		
10	180899	SPRING		1		
11	180713	PLUNGER		1		
12	180891	SPRING		1		
13	196079	PISTON		1		
14	180687	PLUG		1		
15	196077	SHIM 0.1 MM		1		
16	196078	SHIM 0.2 MM		1		
17	180900	SPRING		1		
18	181041	WASHER		1		
19	196082	SOLENOID		1		
20	196083	PLUG		5		
21	196084	PLUG		1		
22	196085	PLUG		1		
23	196086	PLUG		1		
24	196087	PLUG		1		
25	196088	SOLENOID		1		
26	196089	SPRING		1		
27	196090	SHIM 0.1 MM		1		
28	196080	PLUG		2		
29	180680	.PLUG		1		
Not Shown	180540	..O-RING		1		
30	180814	.BOLT		2		
31	196074	TUBE		1		
32	196092	TUBE		1		

Item	Part No.	Name	Characteristics	Qty	Superseded PartNumber	Machine applicability
0	196106	MOTOR, travel		2		
0-1	NSS	.GEAR, reduction		1		
1	196991	GEAR, RING		1		
2	199987	COVER		1		
3	196992	CARRIER		1		
4	199989	GEAR		1		
5	199990	GEAR		1		
6	199991	GEAR		3		
7	199992	GEAR		4		
8	185830	NUT		1		
9	199993	PLATE KIT, STOPPER		1		
10	196993	PLAT, STOPPER		1		
11	185828	RING, SNAP		2		
12	199995	WASHER		4		
13	185827	BEARING		2		
14	199996	BEARING		3		
15	199997	BEARING		8		
16	185831	RACE, INNER		4		
17	185832	SEAL KIT, FLOATING		1		
18	199998	BOLT		7		
19	180072	..BOLT		8		
20	181049	.WASHER, spring		8		
21	188299	PLUG		2		
22	199999	PLUG		3		

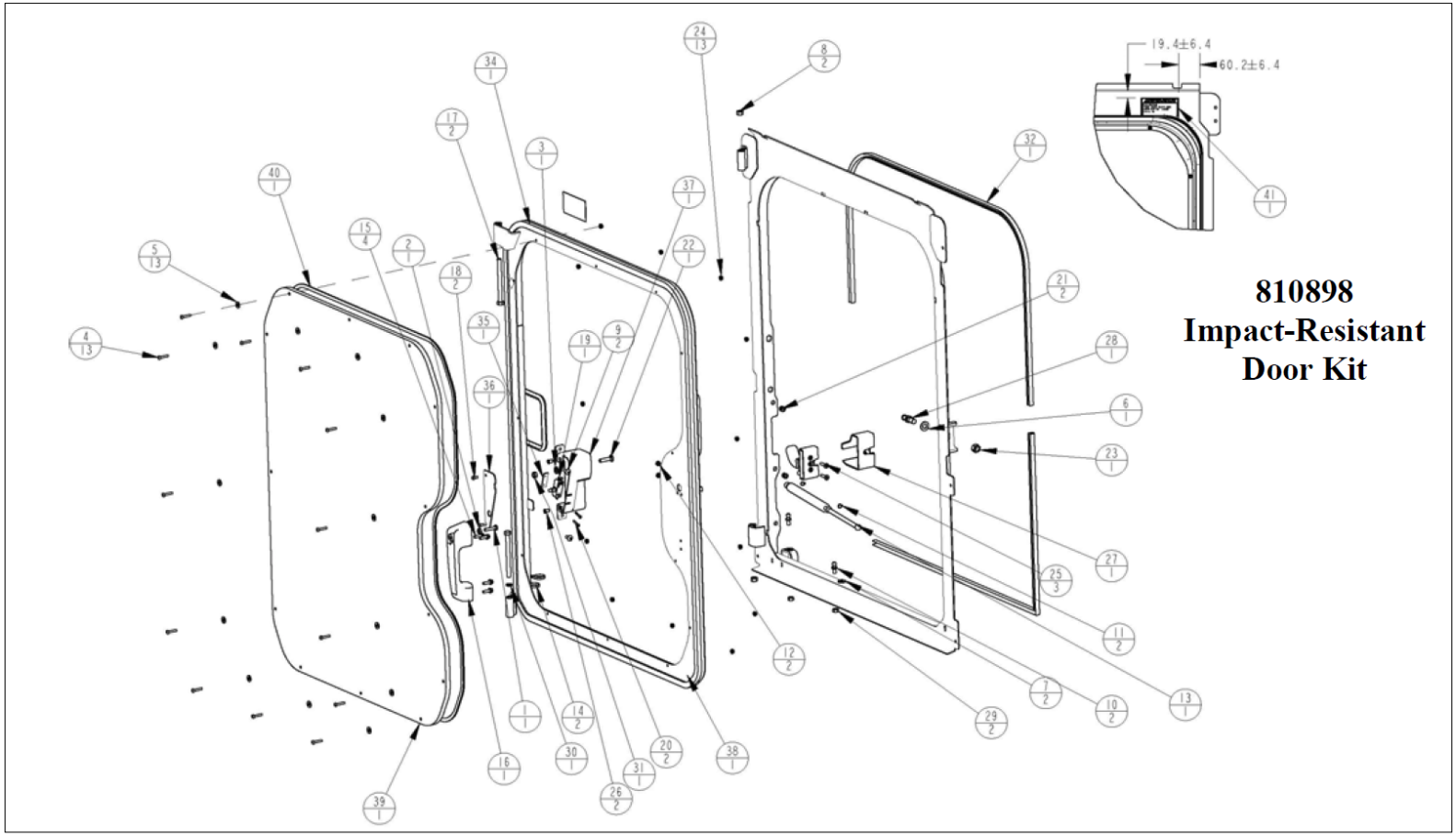
Item	Part No.	Name	Characteristics	Qty	Superseded PartNumber	Machine applicability
0	185457	PUMP, hydraulic		1		
1	180534	.ORIFICE		4		
2	185459	GASKET		4		
3	185169	.VALVE		4		
4	185174	.SPRING		4		
5	181803	.PLUG ASSY		4		
6	199968	PLUG ASSY		2		
7	180237	COVER		2		
8	185571	SCREW, cap		10		
9	180807	SCREW		2		
10	181761	.NUT, seal		2		
11	185573	SCREW, cap		10		
12	180709	.PLUG ASSY		2		
13	185574	COVER		2		
15	196099	PLUG ASSY		1		
16	180746	RING, BACK-UP		2		
17	180637	PISTON ASSY		2		
18	181769	.NUT, seal		2		
19	180580	.O-RING		2		
20	180697	PLUG		4		
21	185460	.O-RING		4		
22	50250010	.O-RING		2		

SECTION C: FILTER LISTING, KITS AND ACCESSORIES

### 810831 Door Kit - Glass Door SN T9702A01633 and Up



SECTION C: FILTER LISTING, KITS AND ACCESSORIES



Item	Part No.	Name	Characteristics	Qty	Superseded PartNumber	Machine applicability
30	240734	HOSE GROUP/P TACH/CTL65		1		
31	650486	CS 5/16x3/4 C5ZY		3		
32	650487	CS 5/16x1 C5ZY		2		
33	650706	CS 1/4x2 C5ZY		2		
34	656011	CS M10-1.5X45 C8.8 ZY DIN931		2		

Item	Part No.	Name	Characteristics	Qty	Superseded PartNumber	Machine applicability
Not Shown	193930	MODEL EE1150 SHELF MOUNT,12V,HVAC				
1	193867	S.M.HSG/ EE1150/RECIRC FILTER		1		
2	193868	S.M.HSG/EE1150/COVER		1		
3	193870	S.M.BRKT/TXV BLOCK MOUN		1		
4	140526	INSULATION/TAR TAPE		1		
5	193871	FILTER/FOAM 1/2 X 5.00 X 23-1/2		1		
6	193872	FOAM/PES 4.1002/EE1150 COVER		1		
7	193873	FOAM/PES 4.1002/EE1150 BLOWER		1		
8	193874	FOAM/PES 4.1002/EE1150 BLOWER		1		
9	193875	FOAM/PES 4.1002/EE1150 BLOWER		1		
10	193876	FOAM/PES 4.1005 (10PPI) 1/4 X 4.00		1		
11	193877	FOAM/PES 4.1008/EE1150 SEAL/L		1		
12	193878	FOAM/PES 4.1008/EE1150 SEAL/R		1		
13	193883	HOUSING/HSG/ EE1150		1		
14	193884	DRAIN PAN/HSG/ EE1150		1		
15	193885	RECIRC FILTR/HSG/ EE1150		1		
16	193895	BRACKET/FA FILTER COVER EE1150		2		
17	140187	SMS #10 X 1/2 TAB HWH BL		12		
18	193898	CLIP/S-TYPE		1		
19	656139	CS M6-1x35 C8.8 ZY DIN931		2		
20	140410	NUT,HEX,KEPS,M04X0.70,ZP		8		
21	140411	NUT,HEX,WHIZLOCK,M05 X0.80,ZP		4		
22	193947	NUT,HEX,WHIZLOCK,M6X 1.00,ZP		2		
23	167750	HHFS M06 X 12 MM W/O SERR		7		
24	193953	VELCOIN/LOOP ADHESIVE 3/8		10		
25	193900	ADAPTER/FLEX HOSE/SNAP IN 2.0"		2		
26	140329	SWITCH/THERMOSTAT PRESET		1		
27	140330	VALVE/EXPANSION BLOCK-STYLE		1		

CLICK HERE TO **DOWNLOAD** THE COMPLETE MANUAL

- Thank you very much for reading the preview of the manual.
- You can download the complete manual from: [www.heydownloads.com](http://www.heydownloads.com) by clicking the link below



- Please note: If there is no response to CLICKING the link, please download this PDF first and then click on it.

CLICK HERE TO **DOWNLOAD** THE COMPLETE MANUAL