

CTL60 CTL70 CTL80

Compact Track Loaders



GEHL®

Form No.
908307

Revision H
11/10

PARTS MANUAL

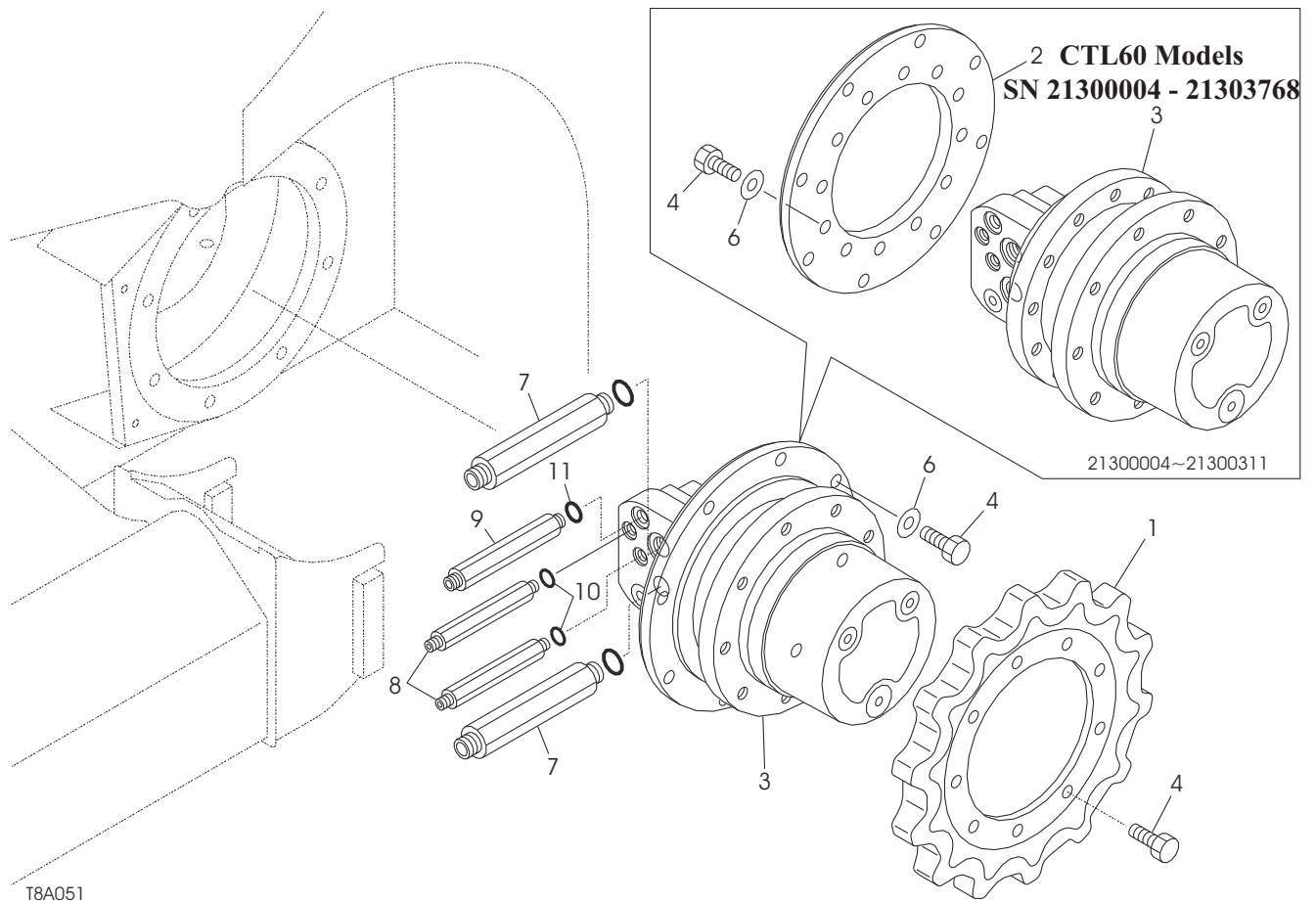
CLICK HERE TO **DOWNLOAD** THE COMPLETE MANUAL

- Thank you very much for reading the preview of the manual.
- You can download the complete manual from: www.heydownloads.com by clicking the link below



- Please note: If there is no response to CLICKING the link, please download this PDF first and then click on it.

CLICK HERE TO **DOWNLOAD** THE COMPLETE MANUAL

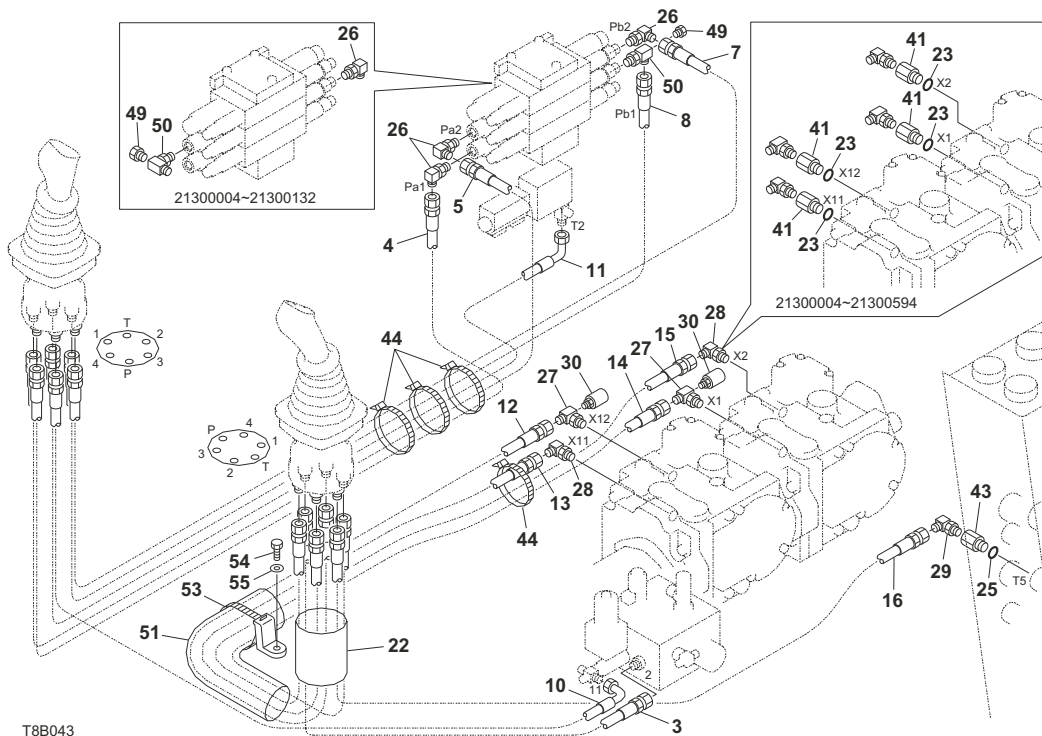


| Ref. No. | Part No. | Description | Quantity CTL60 |
|----------|----------|--------------|----------------|
| 1 | 180917B | SPROCKET | 2 |
| 2 | 180740A | RING | 2 |
| 3 | 182089 | MOTOR/TRAVEL | 2 |
| 4 | 181502 | BOLT | 36 |
| 6 | 181033 | WASHER | 16 |
| 7 | 180018 | ADAPTOR | 4 |
| | 180547 | O-RING | 1 |
| 8 | 180015 | ADAPTOR | 4 |
| 9 | 180017 | ADAPTOR | 2 |
| 10 | 180540 | O-RING | 4 |
| 11 | 180542 | O-RING | 2 |

A) SN 21300004 - 21300311

B) TO CHECK FOR SPROCKET WEAR, ORDER P/N 190762 - SPROCKET WEAR GAUGE.

PIPING; OPERATION LEVER (1/2)



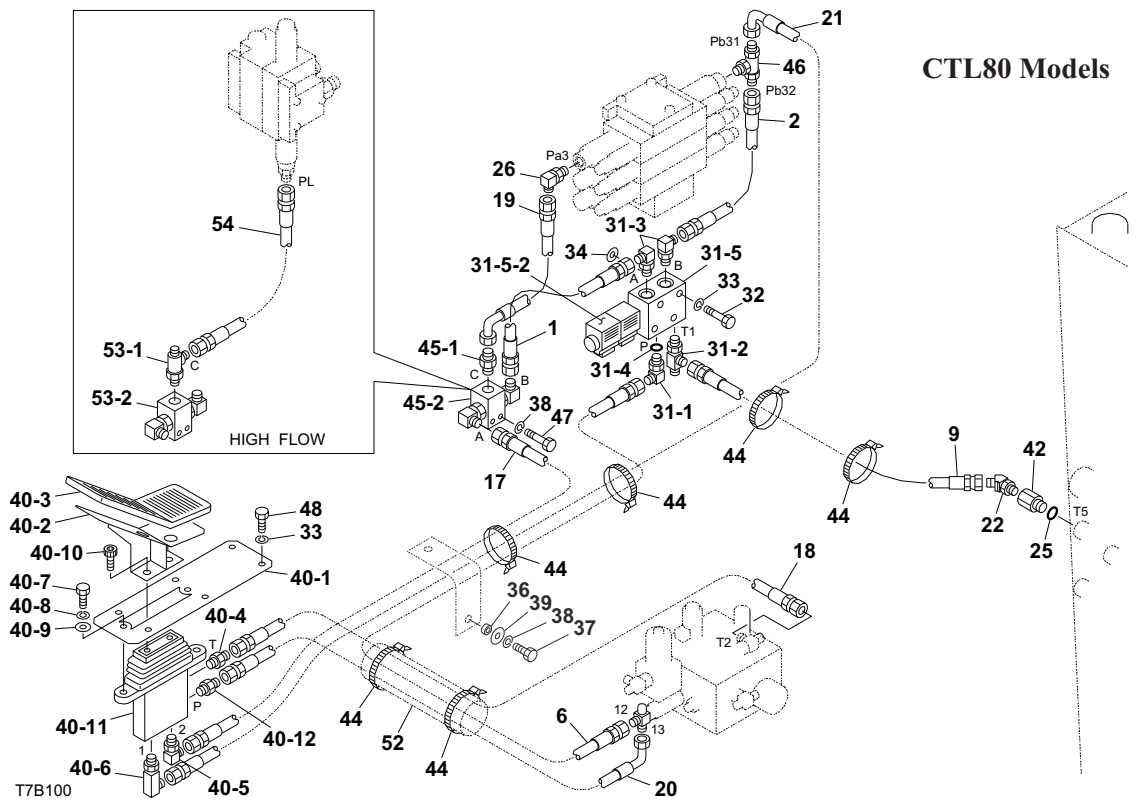
CTL60 Models
SN 21300004 -
21303768

| Ref. No. | Part No. | Description | Quantity CTL60 |
|----------|----------|-------------------------------|----------------|
| 3 | 180430 | HOSE ASSY | 1 |
| 4 | 180431 | HOSE ASSY | 1 |
| 5 | 180432 | HOSE ASSY | 1 |
| 7 | 180434 | HOSE ASSY | 1 |
| 8 | 180435 | HOSE ASSY | 1 |
| 10 | 180437 | HOSE ASSY | 1 |
| 11 | 180438 | HOSE ASSY | 1 |
| 12 | 180439 | HOSE ASSY | 1 |
| 13 | 180440 | HOSE ASSY | 1 |
| 14 | 180441 | HOSE ASSY | 1 |
| 15 | 180442 | HOSE ASSY | 1 |
| 16 | 180443 | HOSE ASSY | 1 |
| 22 | 180722 | PROTECTOR | 1 |
| 23 | 180567A | O-RING | 4 |
| 25 | 180542 | O-RING | 1 |
| 26 | 180312 | ELBOW | 3 |
| | 180540 | O-RING | 1 |
| 27 | 180309 | ELBOW | 2 |
| | 180567 | O-RING | 1 |
| 28 | 180316 | ELBOW | 2 |
| | 180567 | O-RING | 1 |
| 29 | 180313 | ELBOW | 1 |
| | 180542 | O-RING | 1 |
| 30 | 180933 | SWITCH/PRESSURE BACK-UP ALARM | 2 |
| 41 | 180156A | BUSHING | 4 |
| 43 | 180153 | BUSHING | 1 |
| 44 | 180048 | BAND | 4 |
| 49 | 180680 | PLUG | 1 |
| | 180540 | O-RING | 1 |
| 50 | 181574B | TEE | 1 |
| | 180540 | O-RING | 1 |
| 51 | 181980 | PROTECTOR 63 CM | 1 |
| 53 | 185411C | BAND | 1 |
| 54 | 180070C | BOLT | 1 |
| 55 | 181021C | WASHER | 1 |

A) SN 21300004 - 21300594

B) SN 21300133 AND UP

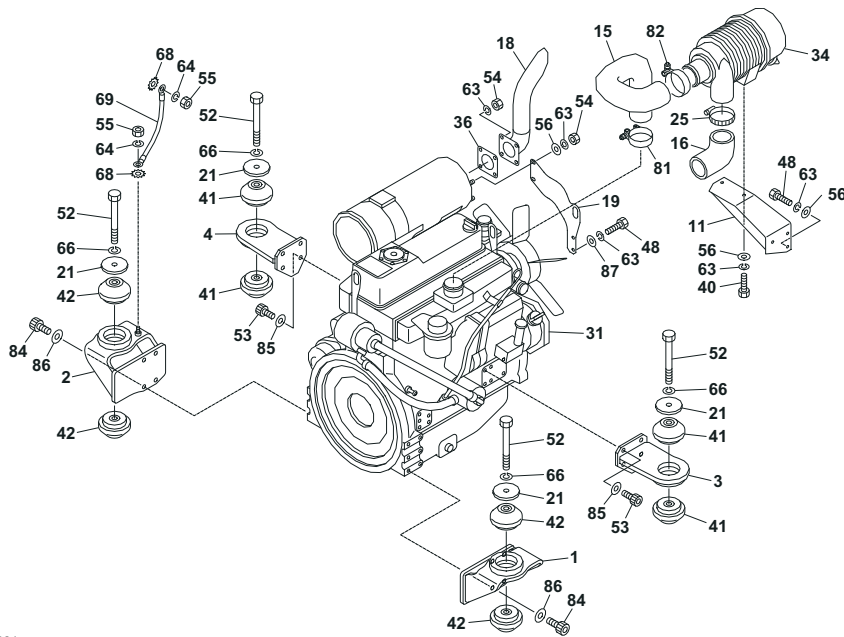
C) SN 21300595 - 21302742



CTL80 Models

| Ref. No. | Part No. | Description | Quantity CTL80 |
|----------|----------|--------------------------------|----------------|
| 1 | 181306 | HOSE ASSY | 1 |
| 2 | 181307 | HOSE ASSY | 1 |
| 6 | 181311 | HOSE ASSY | 1 |
| 9 | 181314 | HOSE ASSY (INCLUDES PROTECTOR) | 1 |
| 17 | 181961 | HOSE ASSY | 1 |
| 18 | 181322 | HOSE ASSY | 1 |
| 19 | 181323 | HOSE ASSY | 1 |
| 20 | 181324 | HOSE ASSY | 1 |
| 21 | 181325 | HOSE ASSY | 1 |
| 22 | 185383 | ELBOW | 1 |
| 25 | 180540 | O-RING | 1 |
| 26 | 180312 | ELBOW | 2 |
| 31 | 180998 | VALVE/SOLENOID | 1 |
| 31-1 | 180323 | ELBOW (WITH ORIFICE) | 1 |
| 31-2 | 180944 | TEE | 1 |
| 31-3 | 180540 | O-RING | 1 |
| 31-3 | 180312 | ELBOW | 2 |
| 31-3 | 180540 | O-RING | 1 |
| 31-4 | 180540 | O-RING | 1 |
| 31-5 | 181000 | VALVE/SOLENOID | 1 |
| 31-5-2 | 185450 | SOLENOID | 1 |
| 32 | 180081 | BOLT | 2 |
| 33 | 181050 | WASHER/SPRING | 8 |
| 34 | 181022 | WASHER | 2 |
| 35 | 180041 | BAND | 1 |
| 36 | 180206 | COLLAR | 1 |
| 37 | 181498 | BOLT | 1 |
| 38 | 181049 | WASHER/SPRING | 3 |
| 39 | 181009 | WASHER | 1 |
| 40 | 180589 | PEDAL ASSY/AUXILIARY | 1 |
| 40-1 | 180660 | PLATE | 1 |
| 40-2 | 180588 | PEDAL | 1 |

ENGINE AND ACCESSORIES (1/2)

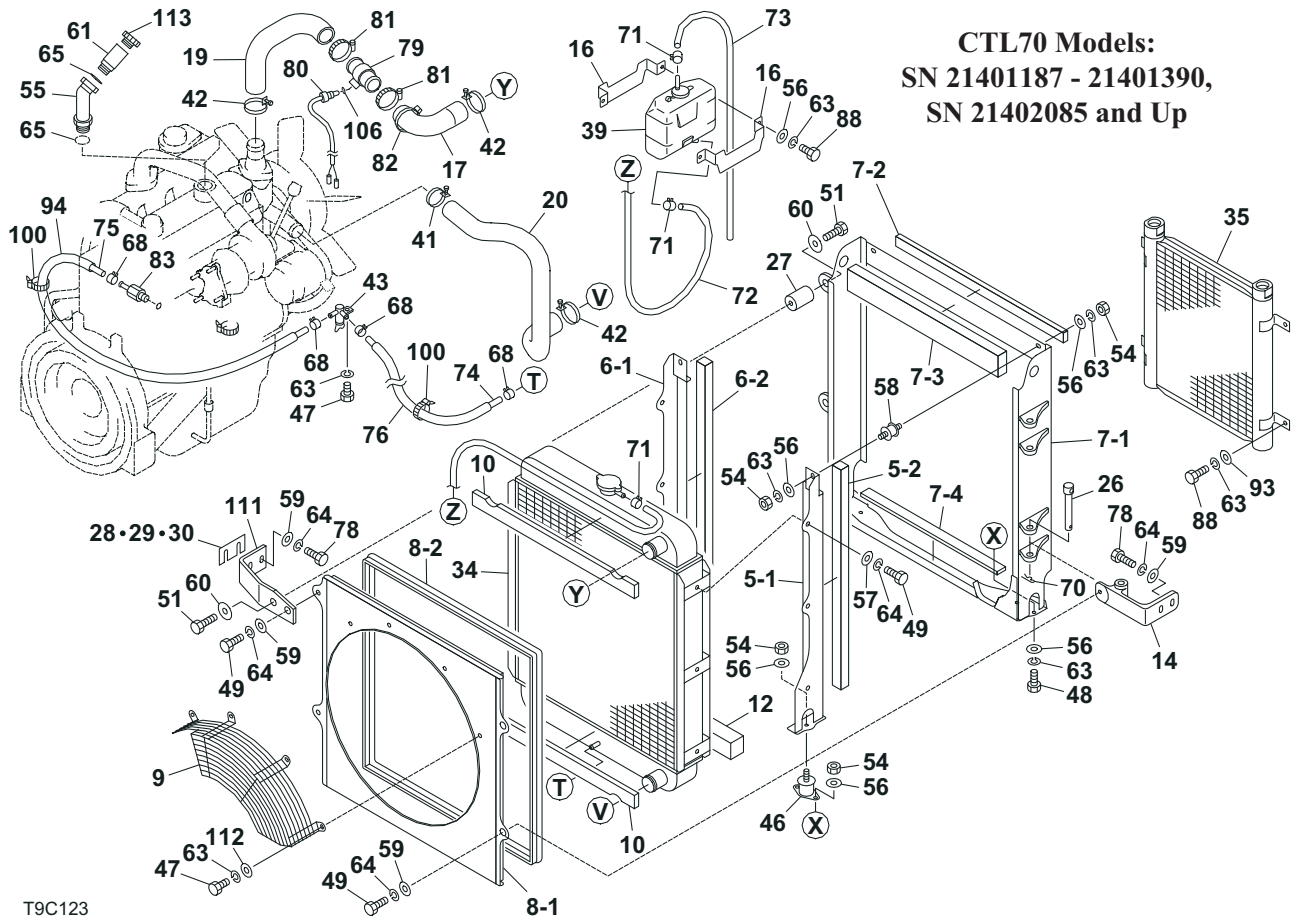


**CTL60 Models
SN 21306717 and Up**

T8C221

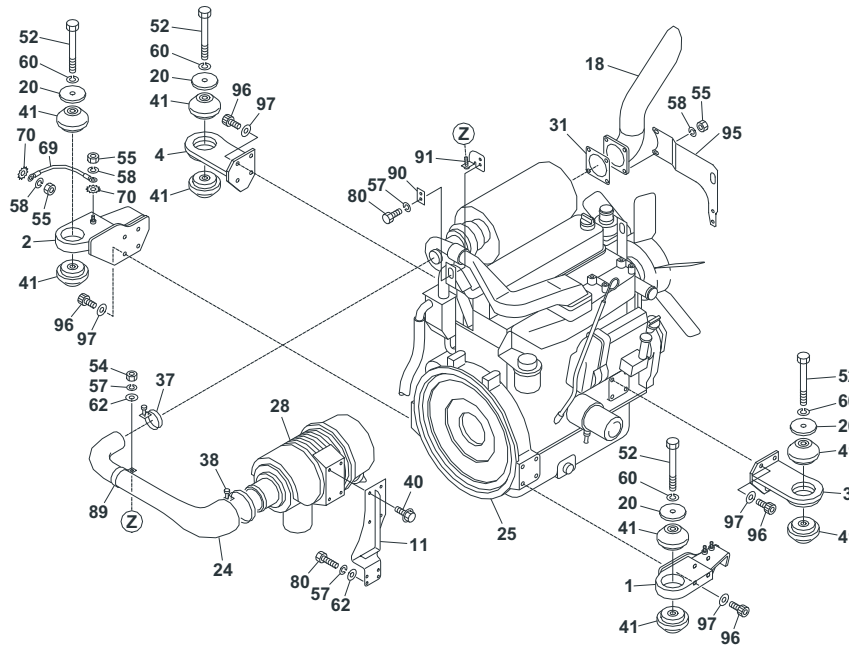
| Ref. No. | Part No. | Description | Quantity CTL60 |
|----------|----------|--------------------|----------------|
| 1 | 180340 | FOOT/ENGINE(F.L.) | 1 |
| 2 | 180341 | FOOT/ENGINE(F.R.) | 1 |
| 3 | 180342 | FOOT/ENGINE(R.L.) | 1 |
| 4 | 180343 | FOOT/ENGINE(R.R.) | 1 |
| 11 | 186098 | BRACKET | 1 |
| 15 | 186099 | HOSE | 1 |
| 16 | 186100A | PIPE | 1 |
| 18 | 186101 | NOZZLE | 1 |
| 19 | 186102 | PLATE | 1 |
| 21 | 181016 | WASHER | 4 |
| 25 | 186103A | BAND | 1 |
| 31 | 186104 | ENGINE 4TNV98-YTBL | 1 |
| | 186563 | FAN | 1 |
| | 186567 | SILENCER | 1 |
| | 138104 | GASKET/SILENCER | 1 |
| | 186106 | GASKET/SILENCER | 1 |
| 34 | 186105 | CLEANER/AIR | 1 |
| | L99933 | LATCH | 3 |
| | 186305 | COVER | 1 |
| | 186306 | VALVE/BREATHER | 1 |
| 36 | 185731 | GASKET | 1 |
| 40 | 180079 | BOLT | 2 |
| 41 | 180794 | RUBBER/CUSHION | 4 |
| 42 | 180795 | RUBBER/CUSHION | 4 |
| 48 | 180078 | BOLT | 5 |
| 52 | 180100 | BOLT | 4 |
| 53 | 181516 | SCREW/CAP | 8 |
| 54 | 180517 | NUT | 6 |
| 55 | 180518 | NUT | 2 |
| 56 | 181022 | WASHER | 7 |
| 63 | 181050 | WASHER/SPRING | 11 |
| 64 | 181051 | WASHER/SPRING | 2 |
| 66 | 181053 | WASHER/SPRING | 4 |
| 68 | 181018 | WASHER | 2 |
| 69 | 180172 | CABLE | 1 |
| 81 | 185720 | BAND | 1 |
| 82 | 185721 | BAND | 1 |
| 84 | 188284 | SCREW/CAP | 8 |
| 85 | 181531 | WASHER | 8 |
| 86 | 181024 | WASHER | 8 |
| 87 | 181012 | WASHER | 2 |

A) SN 21306717 - 21308654



| Ref. No. | Part No. | Description | Quantity CTL70 |
|----------|----------|--------------|----------------|
| 5 | | ASSY/BRACKET | 1 |
| 5-1 | 182824 | BRACKET | 1 |
| 5-2 | 185082 | SPONGE 67 CM | 1 |
| 6 | | ASSY/BRACKET | 1 |
| 6-1 | 182826 | BRACKET | 1 |
| 6-2 | 185082 | SPONGE 67 CM | 1 |
| 7 | | ASSY/FRAME | 1 |
| 7-1 | 182828 | FRAME | 1 |
| 7-2 | 185081 | SPONGE 59 CM | 1 |
| 7-3 | 185084 | SPONGE 53 CM | 1 |
| 7-4 | 185085 | SPONGE 48 CM | 1 |
| 8 | | ASSY/SHROUD | 1 |
| 8-1 | 182822 | SHROUD | 1 |
| 8-2 | 181641 | TRIM 58 CM | 2 |
| 9 | 182811 | GUARD | 1 |
| 10 | 182809 | SPONGE | 2 |
| 12 | 185083 | SPONGE 53 CM | 1 |
| 14 | 182832 | HINGE | 2 |
| 16 | 182812 | HOLDER | 2 |
| 17 | 182830 | HOSE | 1 |
| 19 | 182830 | HOSE | 1 |
| 20 | 182813 | HOSE | 1 |
| 26 | 180601 | PIN | 2 |
| 27 | 185244 | BOSS | 2 |
| 28 | 181102 | SHIM 1.6 MM | AR |

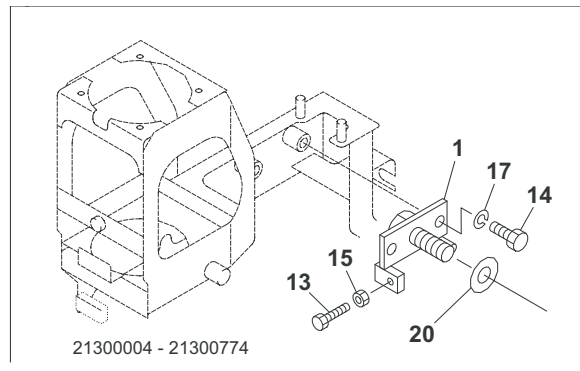
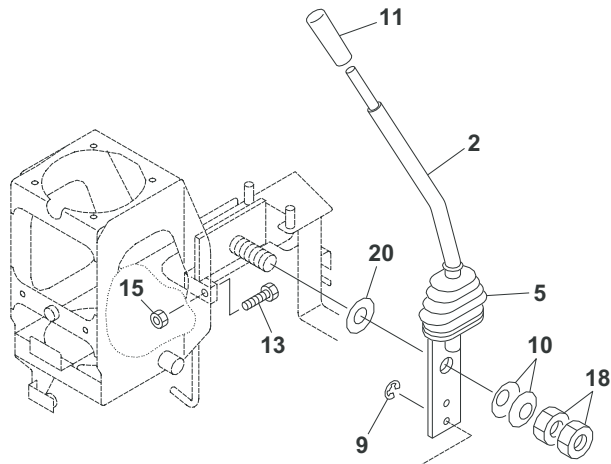
**CTL80 High
Flow Models:
SN 21501587 and Up**



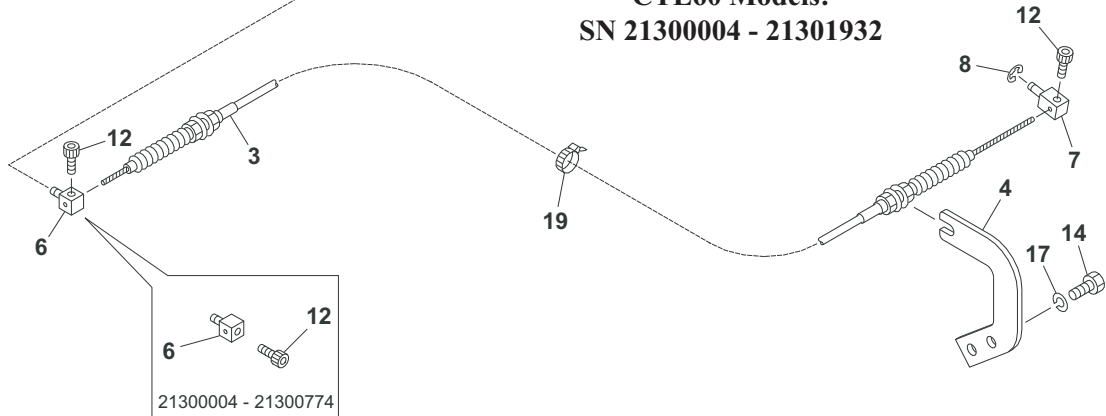
T7C171

| Ref. No. | Part No. | Description | Quantity |
|----------|-----------|------------------------------------|----------|
| | | | CTL80 HF |
| 1 | 185257 | FOOT/ENGINE (F.L.) | 1 |
| 2 | 181173 | FOOT/ENGINE (F.R.) | 1 |
| 3 | 181174 | FOOT/ENGINE (R.L.) | 1 |
| 4 | 181175 | FOOT/ENGINE (R.R.) | 1 |
| | 185826A | FOOT/ENGINE (R.R.) (HVAC-EQUIPPED) | 1 |
| 11 | 188194 | BRACKET | 1 |
| 18 | 188196 | PIPE | 1 |
| 20 | 181016 | WASHER | 4 |
| 24 | 181186 | HOSE | 1 |
| 25 | 185469 | ENGINE 4TNV106T-XTBL | 1 |
| | 198321 | ASSY/SHORT BLOCK | 1 |
| | 425-34740 | CAP/OIL FILL | 1 |
| | 186449 | FAN | 1 |
| | 186435 | SILENCER | 1 |
| | 186165 | BELT/FAN | 1 |
| 28 | 186450 | CLEANER/AIR | 1 |
| | 186577 | INDICATOR/RESTRICTION | 1 |
| | 186457 | COVER | 1 |
| | 186306 | VALVE/BREATHER | 1 |
| | L99933 | LATCH | 3 |
| 31 | 185471 | GASKET | 1 |
| 37 | 181831 | CLAMP | 1 |
| 38 | 181843 | CLAMP | 1 |
| 40 | 185465 | BOLT | 4 |
| 41 | 181610 | RUBBER/CUSHION | 8 |
| 52 | 180100 | BOLT | 4 |
| 54 | 182094 | NUT | 1 |
| 55 | 180518 | NUT | 6 |
| 57 | 181050 | WASHER/SPRING | 7 |
| 58 | 181051 | WASHER/SPRING | 6 |
| 60 | 181053 | WASHER/SPRING | 4 |
| 62 | 181022 | WASHER | 5 |
| 69 | 180172 | CABLE | 1 |
| 70 | 181018 | WASHER | 2 |
| 80 | 180079 | BOLT | 6 |
| 89 | 185345 | CLAMP | 1 |
| 90 | 185346 | PLATE | 1 |
| 91 | 185258 | BRACKET | 1 |
| 95 | 185259 | STAY | 1 |
| 96 | 188284 | SCREW/CAP | 16 |
| 97 | 181024 | WASHER | 16 |

A) HVAC MODELS: SN 21504188 AND UP



**CTL60 Models:
SN 21300004 - 21301932**



T8C061

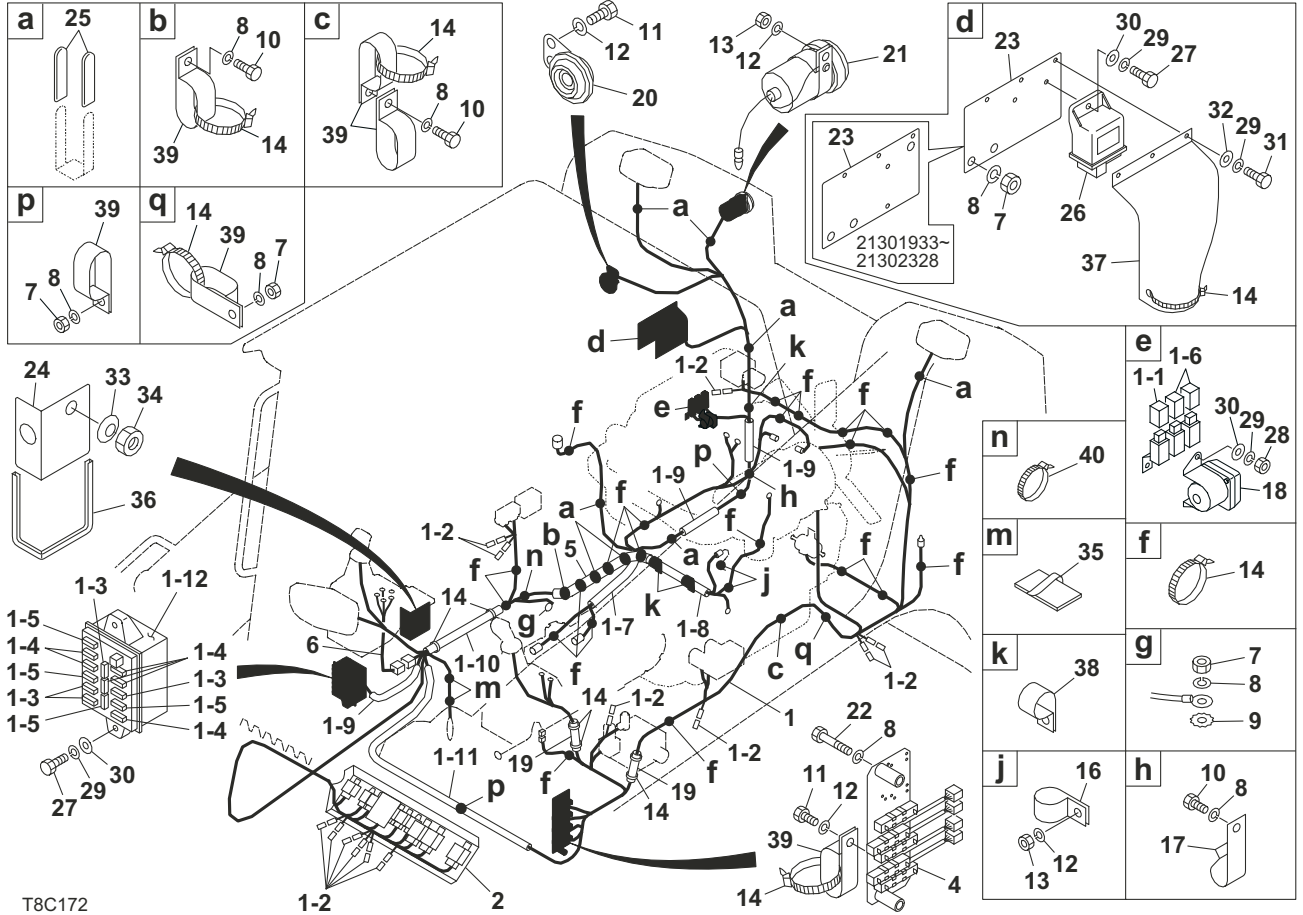
21300004 - 21300774

| Ref. No. | Part No. | Description | Quantity CTL60 |
|----------|----------|----------------|----------------|
| 1 | 180650A | PLATE | 1 |
| 2 | 180500 | LEVER | 1 |
| 3 | 181057 | WIRE | 1 |
| 4 | 180120 | BRACKET | 1 |
| 5 | 180110 | BOOT | 1 |
| 6 | 181099B | PIN | 1 |
| | 180596A | PIN | 1 |
| 7 | 180597 | PIN | 1 |
| 8 | 180752 | RING/RETAINING | 1 |
| 9 | 180753 | RING/RETAINING | 1 |
| 10 | 185020B | WASHER/CONICAL | 2 |
| | 181046A | WASHER/CONICAL | 2 |
| 11 | 180368 | GRIP | 1 |
| 12 | 180814 | SCREW/CAP | 2 |
| 13 | 181501B | BOLT | 1 |
| | 180079A | BOLT | 1 |
| 14 | 181494 | BOLT | 2 |
| 15 | 180518 | NUT | 1 |
| 17 | 181051B | WASHER/SPRING | 2 |
| | 181051A | WASHER/SPRING | 4 |
| 18 | 180515 | NUT | 2 |
| 19 | 180046 | BAND | 1 |
| 20 | 181034 | WASHER | 2 |

A) SN 21300004 - 21300774.

B) SN 21300775 - 21301932.

CTL60 Models: SN 21301933 and Up



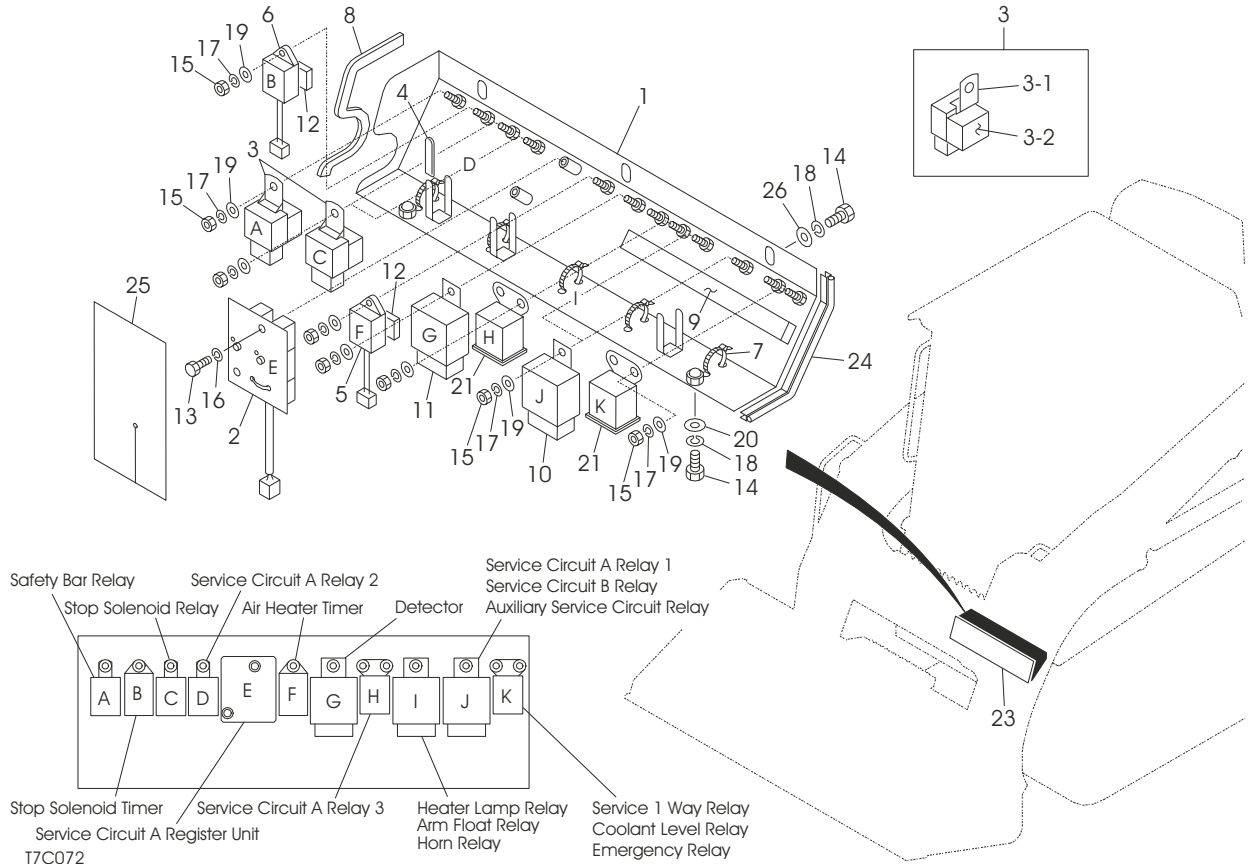
T8C172

| Ref. No. | Part No. | Description | Quantity CTL60 |
|----------|----------|----------------------|----------------|
| 19 | 181974 | PROTECTOR | 2 |
| 20 | 180386 | HORN | 1 |
| 21 | 180171 | BUZZER/BACK-UP ALARM | 1 |
| 22 | 180090 | BOLT | 2 |
| 23 | 188181B | PLATE | 1 |
| | 181969A | PLATE | 1 |
| 24 | 181945 | COVER | 1 |
| 25 | 180969 | TUBE | 34 |
| 26 | 186341 | RELAY/SAFETY | 1 |
| 27 | 180070 | BOLT | 3 |
| 28 | 180516 | NUT | 2 |
| 29 | 181049 | WASHER/SPRING | 8 |
| 30 | 181021 | WASHER | 5 |
| 31 | 191931 | BOLT | 3 |
| 32 | 181011 | WASHER | 3 |
| 33 | 182016 | WASHER | 1 |
| 34 | 181964 | NUT | 1 |
| 35 | 185426 | CLAMP | 2 |
| 36 | 182002 | TRIM 30 CM | 1 |
| 37 | 185231B | PLATE/RUBBER | 1 |
| | 181226A | PLATE/RUBBER | 1 |
| 38 | 181656 | CLAMP | 3 |
| 39 | 181657 | CLAMP | 8 |
| 40 | 185409 | BAND | 1 |

A) SN 21301933 - 21302328

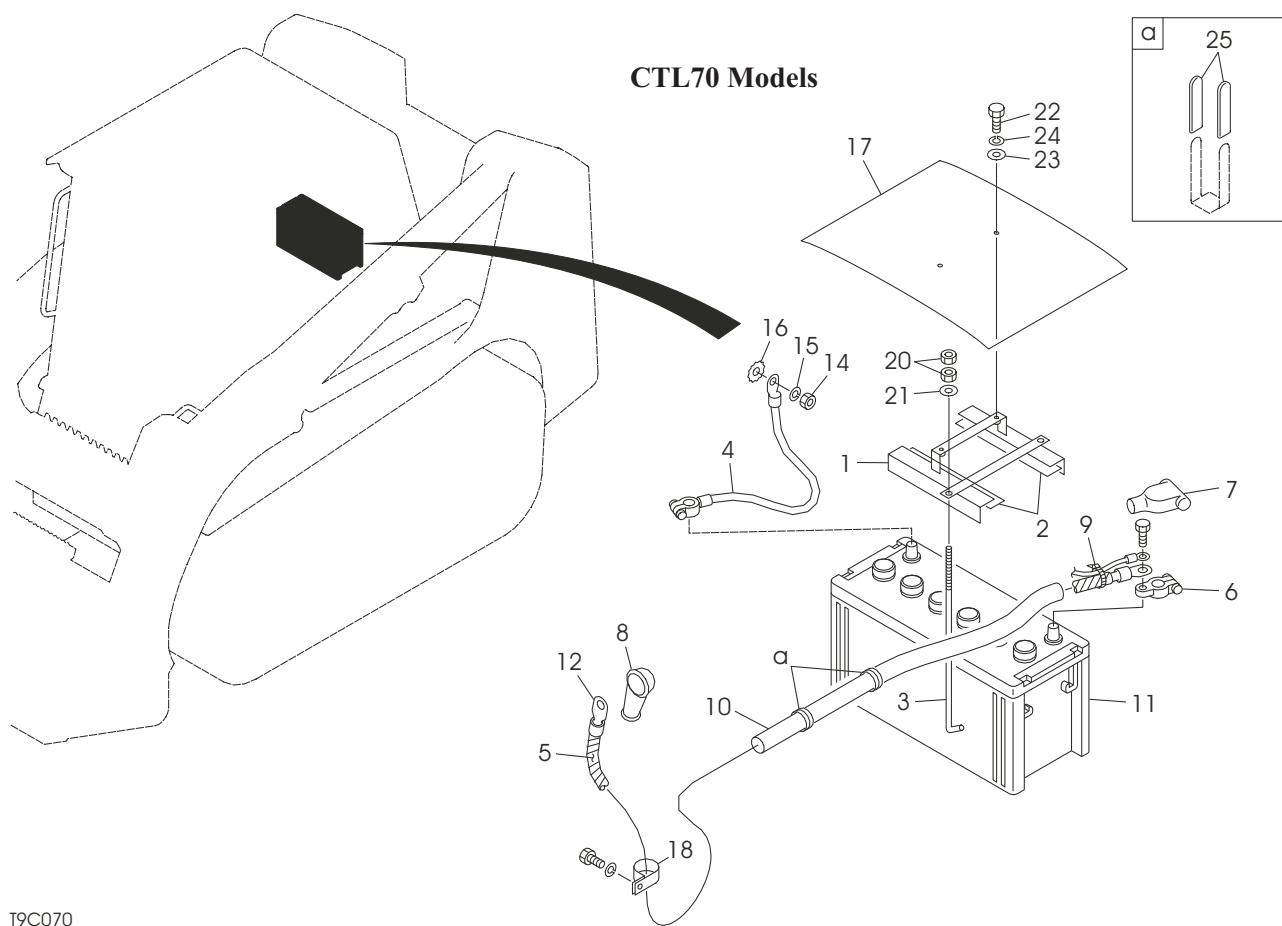
B) SN 21302329 AND UP

CTL80 Models: SN 21500202 - 21500471



| Ref. No. | Part No. | Description | Quantity CTL80 |
|----------|----------|----------------------------------|----------------|
| | 181214 | RELAY ASSY (INCLUDES ITEMS 1-26) | 1 |
| 1 | 181215 | BOX | 1 |
| 2 | 180736 | RESISTOR | 1 |
| 3 | | RELAY ASSY | 3 |
| 3-1 | 180733 | RELAY | 1 |
| 3-2 | 180879 | SPONGE 3 CM | 1 |
| 4 | 180969A | TUBE | 6 |
| 5 | 180977 | UNIT/TIMER | 1 |
| 6 | 181846 | UNIT/TIMER | 1 |
| 7 | 180046 | BAND | 9 |
| 8 | 181618 | TRIM 23 CM | 1 |
| 9 | 181623 | SPONGE 25 CM | 1 |
| 10 | 180730 | RELAY | 2 |
| 11 | 185730 | DETECTOR | 1 |
| 12 | 181621 | SPONGE 3 CM | 2 |
| 13 | 180069 | BOLT | 2 |
| 14 | 180808 | BOLT | 5 |
| 15 | 180516 | NUT | 12 |
| 16 | 181048 | WASHER/SPRING | 2 |
| 17 | 181049 | WASHER/SPRING | 12 |
| 18 | 181050 | WASHER/SPRING | 5 |
| 19 | 181021 | WASHER | 12 |
| 20 | 181022 | WASHER | 2 |
| 21 | 186336 | RELAY | 2 |
| 23 | 181216 | RUBBER | 1 |
| 24 | 181639 | TRIM 18 CM | 1 |
| 25 | 181217 | RUBBER | 1 |
| 26 | 181012 | WASHER | 3 |

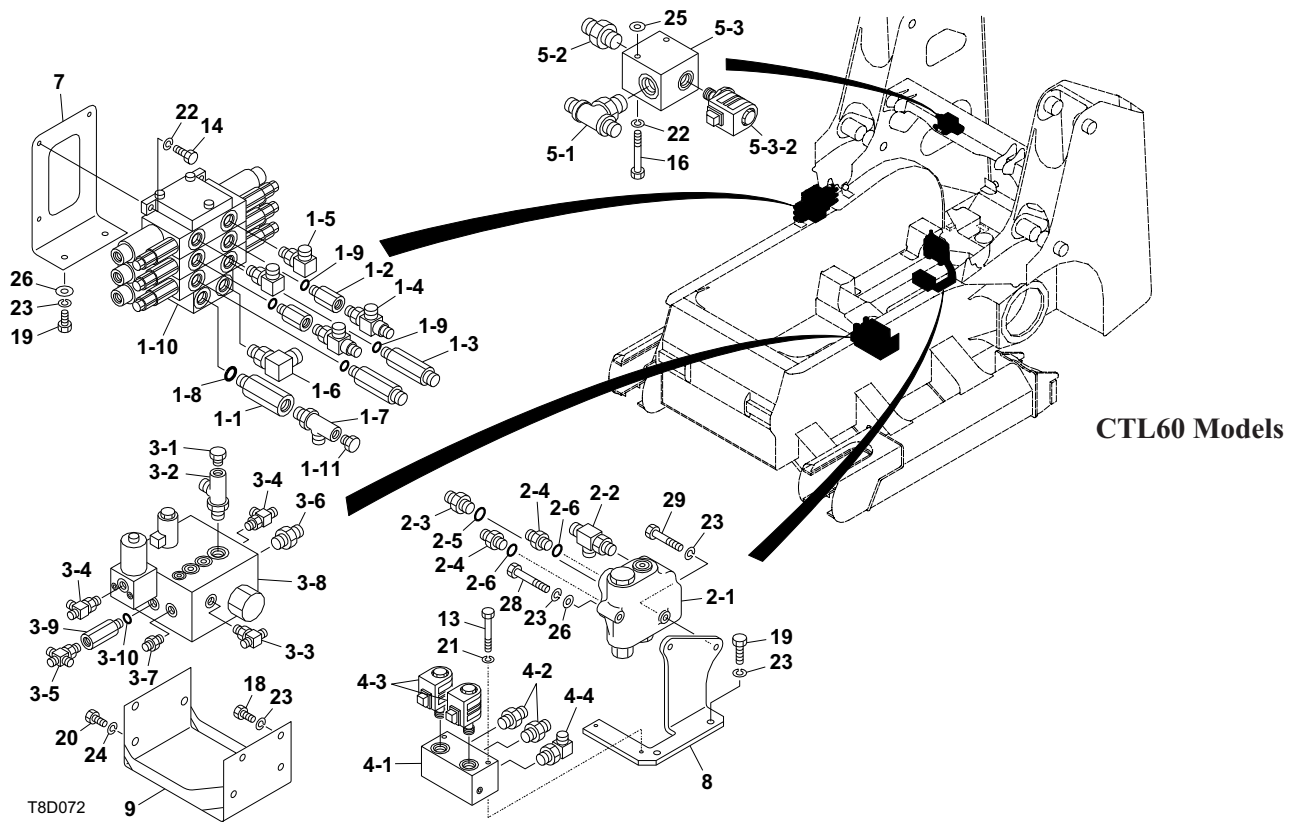
A) SN 21500202 - 21500248



T9C070

| Ref. No. | Part No. | Description | Quantity CTL70 |
|----------|----------|--|----------------|
| 1 | 180194 | CLAMP | 1 |
| 2 | 181982 | RUBBER | 2 |
| 3 | 185102 | BOLT | 2 |
| 4 | 185103 | CABLE/EARTH | 1 |
| 5 | 180792 | TUBE | 1 |
| 6 | 180952 | TERMINAL | 1 |
| 7 | 181651 | COVER | 1 |
| 8 | 185424 | CAP | 1 |
| 9 | 180045 | BAND | 1 |
| 10 | 180720 | PROTECTOR 100 CM | 1 |
| 11 | | BATTERY 12 V, 600 CCA, 100E41R GROUP SIZE 31, 182 RESERVE CAPACITY | 1 |
| 12 | 180173 | CABLE/BATTERY | 1 |
| 14 | 180518 | NUT | 1 |
| 15 | 181051 | WASHER/SPRING | 1 |
| 16 | 181018 | WASHER | 1 |
| 17 | 182843 | SHEET | 1 |
| 18 | 181657 | CLAMP | 1 |
| 20 | 182094 | NUT | 4 |
| 21 | 181022 | WASHER | 2 |
| 22 | 180070 | BOLT | 2 |
| 23 | 181011 | WASHER | 2 |
| 24 | 181049 | WASHER/SPRING | 2 |
| 25 | 180969 | TUBE | 8 |

CONTROL VALVE AND ACCESSORIES



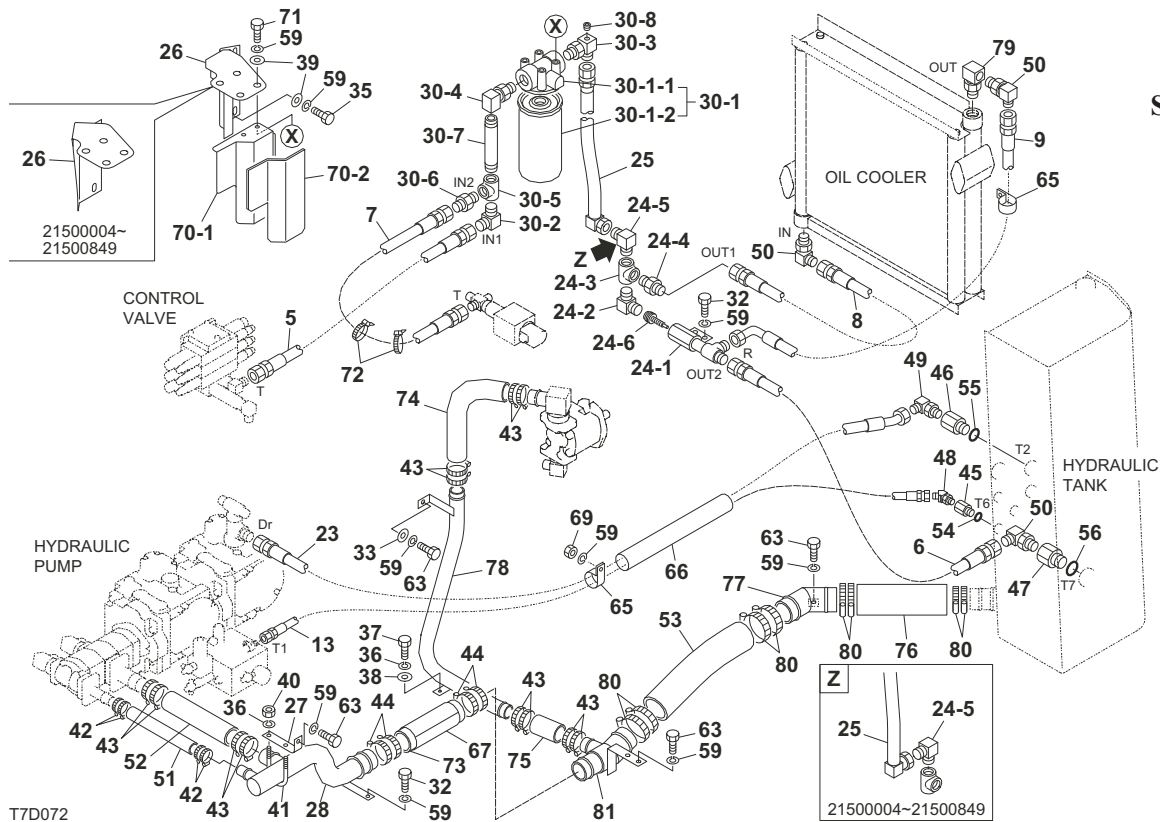
| Ref. No. | Part No. | Description | Quantity CTL60 |
|----------|----------|---------------------|----------------|
| 7 | 180121 | BRACKET | 1 |
| 8 | 185512B | BRACKET | 1 |
| | 180122A | BRACKET | 1 |
| 9 | 180129 | BRACKET | 1 |
| 13 | 180074 | BOLT | 2 |
| 14 | 180808 | BOLT | 3 |
| 15 | 180082 | BOLT | 2 |
| 16 | 180084 | BOLT | 2 |
| 18 | 181494 | BOLT | 4 |
| 19 | 180088 | BOLT | 4 |
| 20 | 180092 | BOLT | 3 |
| 21 | 181049 | WASHER/SPRING | 2 |
| 22 | 181050 | WASHER/SPRING | 5 |
| 23 | 181051 | WASHER/SPRING | 13 |
| 24 | 181052 | WASHER/SPRING 12 MM | 3 |
| 25 | 181022 | WASHER | 2 |
| 26 | 181023 | WASHER | 3 |
| 28 | 180090 | BOLT | 1 |
| 29 | 185353 | BOLT | 1 |

A) SN 21300004 - 21301932

B) SN 21301933 AND UP

PIPING; HYDRAULIC TANK; HIGH FLOW (1/2)

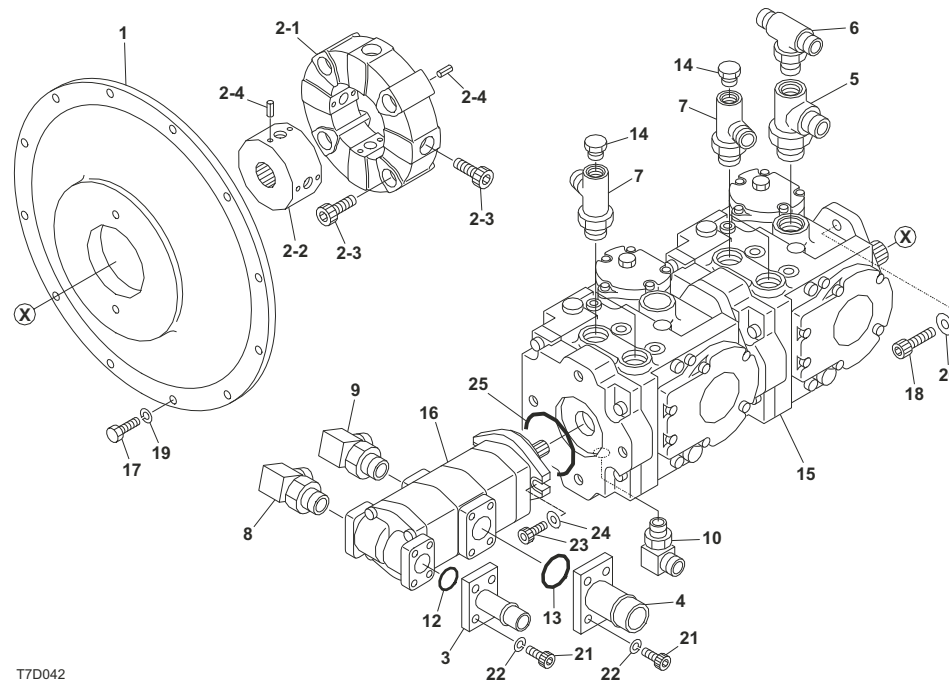
CTL80
High Flow
Models:
SN 21500004 -
21501586



| Ref. No. | Part No. | Description | Quantity |
|----------|----------|---------------|-----------------|
| | | | CTL80 High Flow |
| 5 | 181301 | HOSE ASSY | 1 |
| 6 | 188257B | HOSE ASSY | 1 |
| | 181271A | HOSE ASSY | 1 |
| 7 | 185285 | HOSE ASSY | 1 |
| 8 | 188258B | HOSE ASSY | 1 |
| | 181273A | HOSE ASSY | 1 |
| 9 | 188259B | HOSE ASSY | 1 |
| | 185291A | HOSE ASSY | 1 |
| 13 | 181277 | HOSE ASSY | 1 |
| 23 | 181286 | HOSE ASSY | 1 |
| 24 | | MANIFOLD ASSY | 1 |
| 24-1 | 181288 | JOINT | 1 |
| 24-2 | 181264 | ELBOW | 1 |
| 24-3 | 181570 | TEE | 1 |
| 24-4 | 181572 | ADAPTOR | 1 |
| 24-5 | 181573 | ELBOW | 1 |
| 24-6 | 180992 | VALVE/CHECK | 1 |
| 25 | 188261B | PIPE | 1 |
| | 181302A | PIPE | 1 |
| 26 | 188213B | PLATE | 1 |
| | 181303A | PLATE | 1 |
| 27 | 181290 | PLATE | 1 |
| 28 | 185287D | PIPE | 1 |
| | 188218C | PIPE | 1 |
| 30 | 185290 | FILTER ASSY | 1 |
| 30-1 | 181605 | FILTER | 1 |
| 30-1-1 | 181606 | COVER | 1 |
| 30-1-2 | 181607 | CARTRIDGE | 1 |
| 30-2 | 181573 | ELBOW | 1 |

A) SN 21500298 - 21500849. B) SN 21500850 AND UP
 C) SN 21500004 - 21500735. D) SN 21500736 AND UP

CTL80 Models

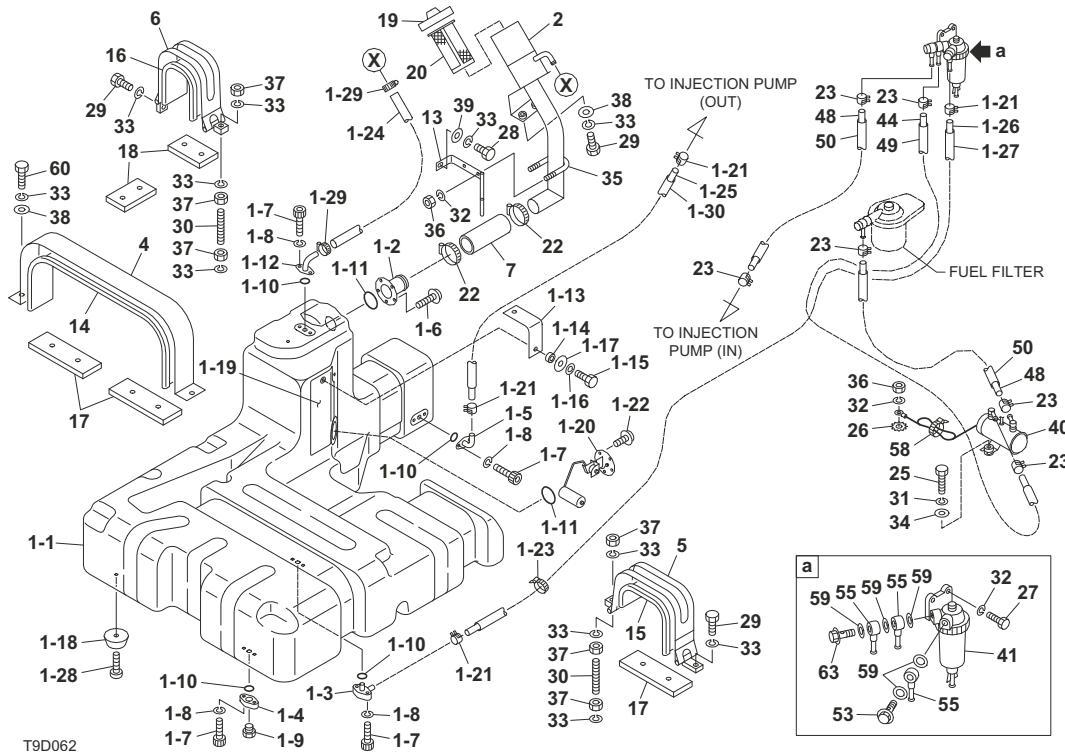


T7D042

| Ref. No. | Part No. | Description | Quantity CTL80 |
|----------|----------|----------------|----------------|
| 1 | 185677F | HOUSING | 1 |
| | 181244E | HOUSING | 1 |
| 2 | 181944 | COUPLING ASSY | 1 |
| 2-1 | 181943 | COUPLING/FLEX | 1 |
| 2-2 | 181245 | COUPLING | 1 |
| 2-3 | 181519 | SCREW/CAP | 8 |
| 2-4 | 180620 | PIN/SPRING | 12 |
| 3 | 181247 | FLANGE | 1 |
| 4 | 185264B | FLANGE | 1 |
| | 181248A | FLANGE | 1 |
| 5 | 181246 | TEE | 1 |
| | 048953 | O-RING | 1 |
| 6 | 180947 | TEE | 1 |
| | 180547 | O-RING | 1 |
| 7 | 180941 | TEE | 4 |
| | 048953 | O-RING | 1 |
| 8 | 181584 | ELBOW | 1 |
| | 180547 | O-RING | 1 |
| 9 | 180315 | ELBOW | 1 |
| | 180547 | O-RING | 1 |
| 10 | 180320 | ELBOW | 1 |
| | 180543 | O-RING | 1 |
| 12 | 180551 | O-RING | 1 |
| 13 | 180553 | O-RING | 1 |
| 14 | 180680 | PLUG | 4 |
| | 180540 | O-RING | 1 |
| 15 | 181790 | PUMP/HYDRAULIC | 1 |
| 16 | 181786 | PUMP/GEAR | 1 |
| 17 | 180088 | BOLT | 12 |
| 18 | 185678F | SCREW/CAP | 2 |
| | 181520E | SCREW/CAP | 2 |
| 19 | 181051 | WASHER/SPRING | 12 |
| 20 | 185679F | WASHER | 2 |
| | 181024E | WASHER | 2 |
| 21 | 180827 | SCREW/CAP | 8 |
| 22 | 181044 | WASHER/SPRING | 8 |
| 23 | 180809 | SCREW/CAP | 2 |
| 24 | 181013 | WASHER 10 MM | 2 |
| 25 | 181557 | O-RING | 1 |

A) SN 21500004 - 21500184. B) SN 21500376 AND UP. E) 21500004 - 21502546. F) SN 21502547 AND UP

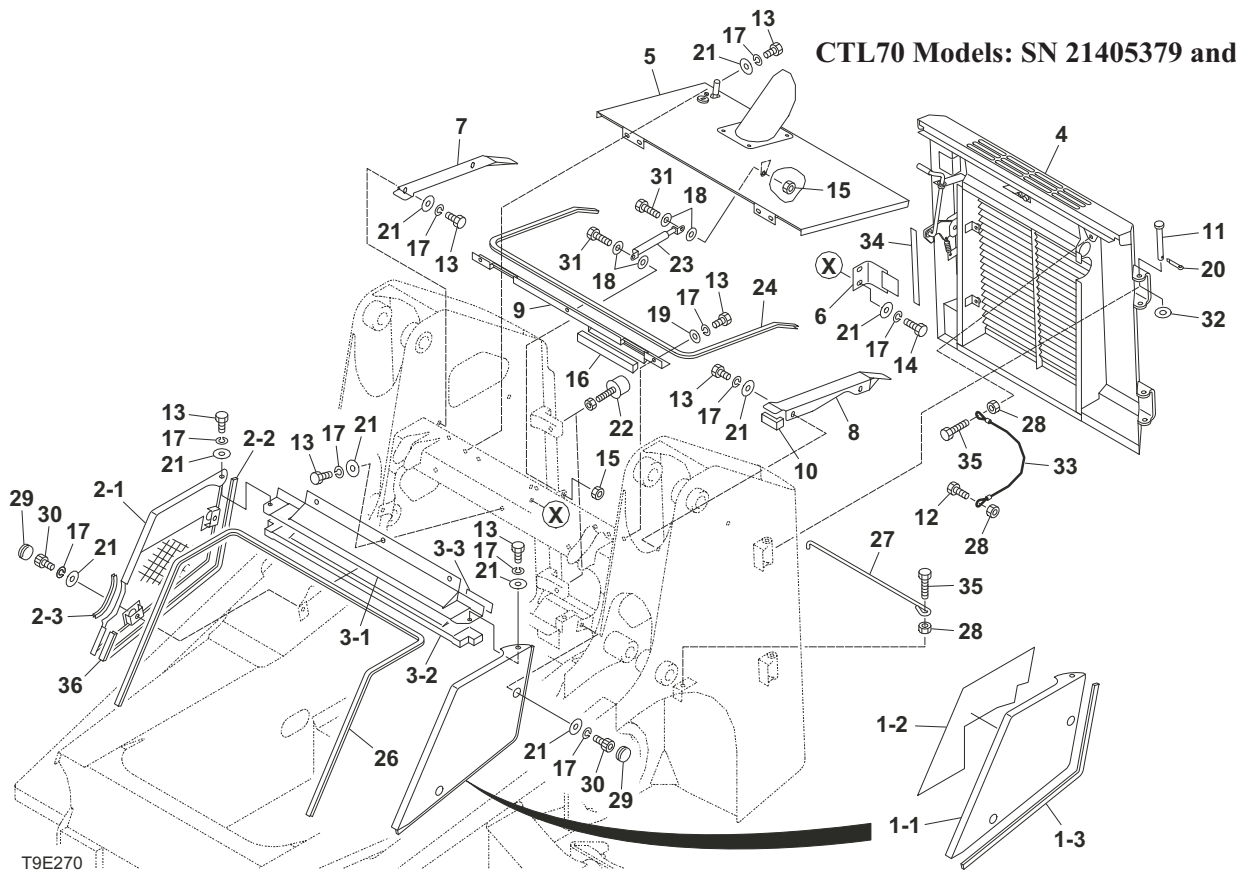
FUEL TANK AND FUEL PIPING



CTL70 Models

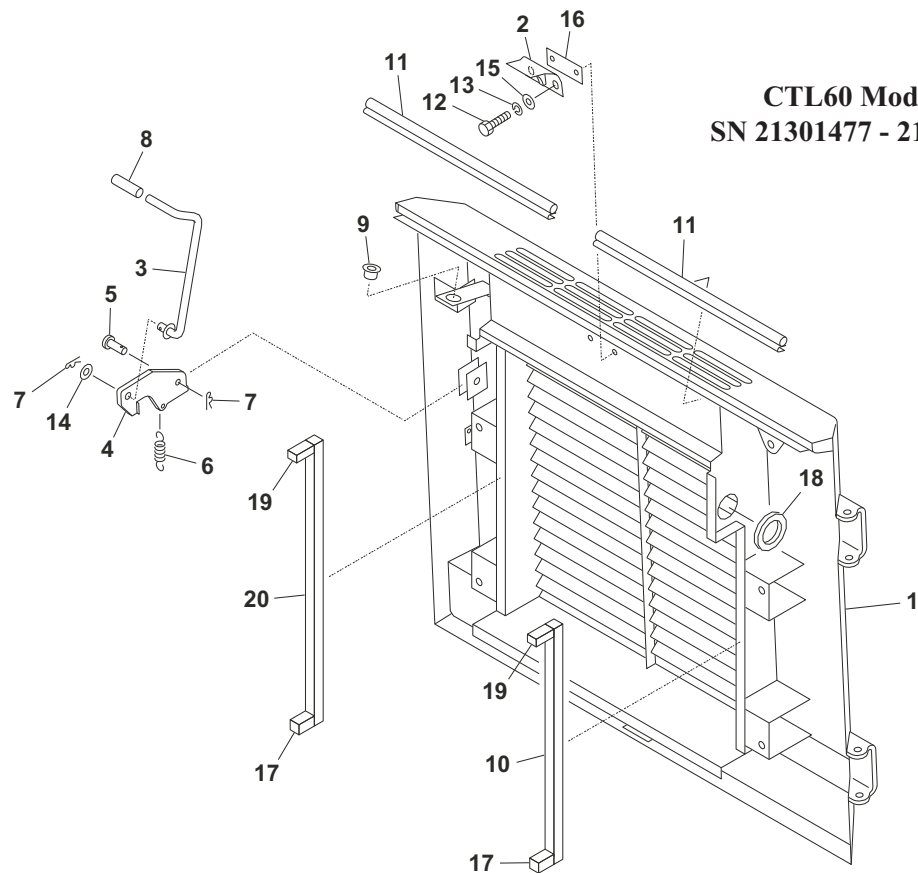
| Ref. No. | Part No. | Description | Quantity CTL70 |
|----------|----------|--------------------|----------------|
| 1 | | TANK SUB ASSY/FUEL | 1 |
| 1-1 | 182950 | TANK/FUEL | 1 |
| 1-2 | 180335 | FLANGE | 1 |
| 1-3 | 180336 | FLANGE | 1 |
| 1-4 | 180993 | FLANGE | 1 |
| 1-5 | 180337 | FLANGE | 1 |
| 1-6 | 180802 | SCREW | 5 |
| 1-7 | 180824 | SCREW/CAP | 8 |
| 1-8 | 181049 | WASHER/SPRING | 8 |
| 1-9 | 180680 | PLUG | 1 |
| | 180540 | O-RING | 1 |
| 1-10 | 180544 | O-RING | 4 |
| 1-11 | 180537 | O-RING | 2 |
| 1-12 | 180338 | FLANGE | 1 |
| 1-13 | 180041 | BAND | 1 |
| 1-14 | 180206 | COLLAR | 1 |
| 1-15 | 181498 | BOLT | 1 |
| 1-16 | 181049 | WASHER/SPRING | 1 |
| 1-17 | 181009 | WASHER | 1 |
| 1-18 | 181017 | RUBBER | 5 |
| 1-19 | 182948 | SHEET | 1 |
| 1-20 | 180845 | SENDER/FUEL | 1 |
| 1-21 | 188313 | CLAMP | 4 |
| 1-22 | 180801 | SCREW | 5 |
| 1-23 | 181928 | BAND | 1 |
| 1-24 | 185028 | HOSE 57 CM | 1 |
| 1-25 | 185033 | HOSE 110 CM | 1 |
| 1-26 | 185392 | HOSE 230 CM | 1 |
| 1-27 | 185031 | HOSE 113 CM | 2 |
| 1-28 | 180799 | SCREW | 5 |
| 1-29 | 180196 | CLAMP | 2 |
| 1-30 | 185030 | HOSE 102 CM | 1 |
| 2 | 182951 | PORT/SUPPLY | 1 |
| 4 | 182940 | PLATE | 1 |
| 5 | 182941 | CLAMP | 1 |
| 6 | 182942 | CLAMP | 1 |
| 7 | 182943 | HOSE | 1 |

CTL70 Models: SN 21405379 and Up



| Ref. No. | Part No. | Description | Quantity CTL70 |
|----------|----------|---------------|----------------|
| 17 | 181051 | WASHER/SPRING | 18 |
| 18 | 181022 | WASHER | 4 |
| 19 | 181023 | WASHER | 3 |
| 20 | 185017 | PIN/SPLIT | 2 |
| 21 | 181007 | WASHER | 16 |
| 22 | 185045 | RUBBER | 2 |
| 23 | 180916 | SPRING/GAS | 1 |
| 24 | 185094 | TRIM 200 CM | 1 |
| 26 | 181635 | TRIM 290 CM | 1 |
| 27 | 180766 | ROD | 1 |
| 28 | 180518 | NUT | 3 |
| 29 | 185049 | GROMMET | 4 |
| 30 | 180819 | SCREW/CAP | 4 |
| 31 | 180079 | BOLT | 2 |
| 32 | 185375 | WASHER | 2 |
| 33 | 181871 | ROPE | 1 |
| 34 | 181984 | RUBBER | 1 |
| 35 | 180089 | BOLT | 2 |
| 36 | 185488 | TRIM 10 CM | 1 |

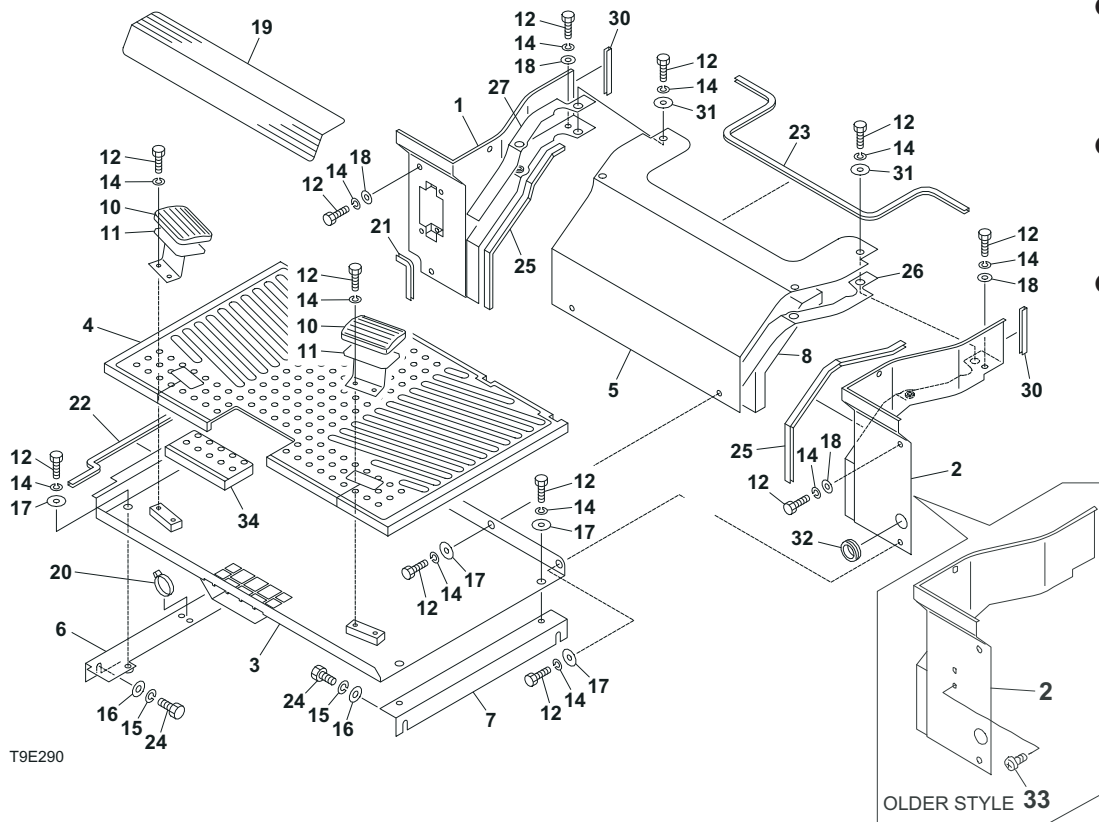
CTL60 Models:
SN 21301477 - 21301932



T8E022

| Ref. No. | Part No. | Description | Quantity CTL60 |
|----------|----------|----------------|----------------|
| | 185526 | DOOR ASSY/REAR | 1 |
| 1 | | DOOR/REAR | 1 |
| 2 | 181113 | STRIKER | 1 |
| 3 | 185312 | ROD | 1 |
| 4 | 182778 | PLATE | 1 |
| 5 | 182649 | PIN | 1 |
| 6 | 182653 | SPRING | 1 |
| 7 | 180614 | PIN/SNAP | 2 |
| 8 | 180177 | CAP | 1 |
| 9 | 180165 | BUSHING | 1 |
| 10 | 185532 | SPONGE 46 CM | 1 |
| 11 | 185087 | TRIM 41 CM | 2 |
| 12 | 180079 | BOLT | 2 |
| 13 | 181050 | WASHER/SPRING | 2 |
| 14 | 181024 | WASHER | 1 |
| 15 | 181012 | WASHER | 2 |
| 16 | 181082 | SPACER 4.5 MM | AR |
| | 181083 | SPACER 1.6 MM | AR |
| 17 | 185416 | SPONGE 4 CM | 2 |
| 18 | 185414 | TRIM 17 CM | 1 |
| 19 | 185078 | SPONGE 4 CM | 2 |
| 20 | 185533 | SPONGE 55 CM | 1 |

FLOOR FRAME



CTL60 Models:
SN 21300775 -
21308294

CTL70 Models:
SN 21400011 -
21405078

CTL80 Models:
SN 21500628 -
21503875

| Ref. No. | Part No. | Description | Quantity CTL60 | Quantity CTL70 | Quantity CTL80 |
|----------|-----------|-----------------|----------------|----------------|----------------|
| 1 | 185546B | COVER (R.H.) | 1 | - | - |
| | 180255A | COVER (R.H.) | 1 | - | - |
| | 182799 | COVER (R.H.) | - | 1 | - |
| | 185242 | COVER (R.H.) | - | - | 1 |
| | 199898D | COVER (L.H.) | 1 | - | - |
| 2 | 185547C | COVER (L.H.) | 1 | - | - |
| | 180250A | COVER (L.H.) | 1 | - | - |
| | 199926D | COVER (L.H.) | - | 1 | - |
| | 182800C | COVER (L.H.) | - | 1 | - |
| | 199906D | COVER (L.H.) | - | - | 1 |
| | 185243C | COVER (L.H.) | - | - | 1 |
| 3 | 185548B | PLATE | 1 | - | - |
| | 180643A | PLATE | 1 | - | - |
| | 182801 | PLATE | - | 1 | - |
| | 185241 | PLATE | - | - | 1 |
| 4 | 185781F | MAT/FLOOR | 1 | - | - |
| | 185782F | MAT/FLOOR | - | 1 | - |
| | 185783F | MAT/FLOOR | - | - | 1 |
| | 180510E | MAT/FLOOR | 1 | - | - |
| | 182798E | MAT/FLOOR | - | 1 | - |
| 181168E | MAT/FLOOR | - | - | 1 | |
| 5 | 182661B | COVER | 1 | 1 | 1 |
| | 180229A | COVER | 1 | - | - |
| 6 | 180920 | STAY | 1 | 1 | 1 |
| 7 | 180919 | STAY | 1 | 1 | 1 |
| 8 | 180007 | ABSORBENT/NOISE | 1 | 1 | 1 |
| 10 | 180220 | COVER | 2 | 2 | 2 |
| 11 | 180738 | REST/FOOT | 2 | 2 | 2 |

A) CTL60 MODELS: SN 21300775 - 21301074. B) CTL60 MODELS: SN 21301075 AND UP
 C) CTL60 MODELS: SN 21300775 - 21306044. CTL70 MODELS: SN 21400011 - 21402984. CTL80 MODELS: SN 21500628 - 21502444
 D) CTL60 MODELS: SN 21306045 AND UP. CTL70 MODELS: SN 21402985 AND UP. CTL80 MODELS: SN 21502445 AND UP
 E) CTL60 MODELS: SN 21300775 - 21308096. CTL70 MODELS: SN 21400011 - 21404898. CTL80 MODELS: SN 21500628 - 21503755
 F) CTL60 MODELS: SN 21308097 - 21308294. CTL70 MODELS: SN 21404899 - 21405078. CTL80 MODELS: SN 21503756 - 21503875

CLICK HERE TO **DOWNLOAD** THE COMPLETE MANUAL

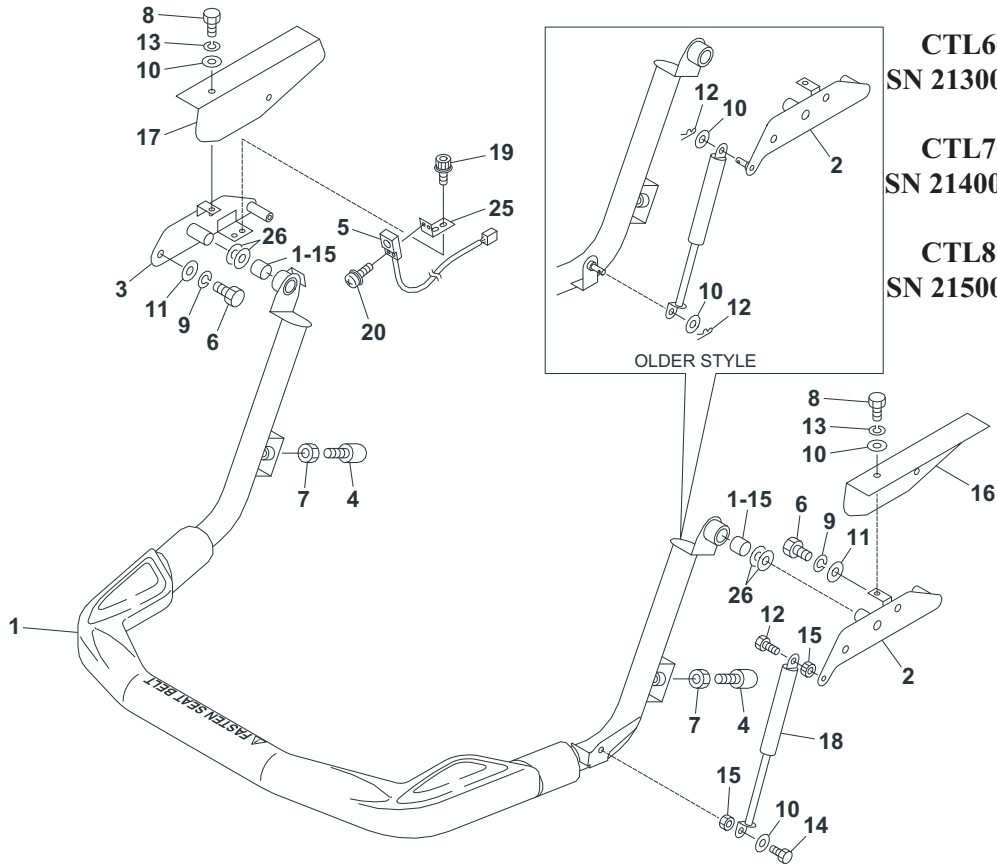
- Thank you very much for reading the preview of the manual.
- You can download the complete manual from: www.heydownloads.com by clicking the link below



- Please note: If there is no response to CLICKING the link, please download this PDF first and then click on it.

CLICK HERE TO **DOWNLOAD** THE COMPLETE MANUAL

RESTRAINT BAR



CTL60 MODELS:
SN 21300043 - 21302232

CTL70 MODELS:
SN 21400694 and Before

CTL80 MODELS:
SN 21500220 - 21501329

T7E073

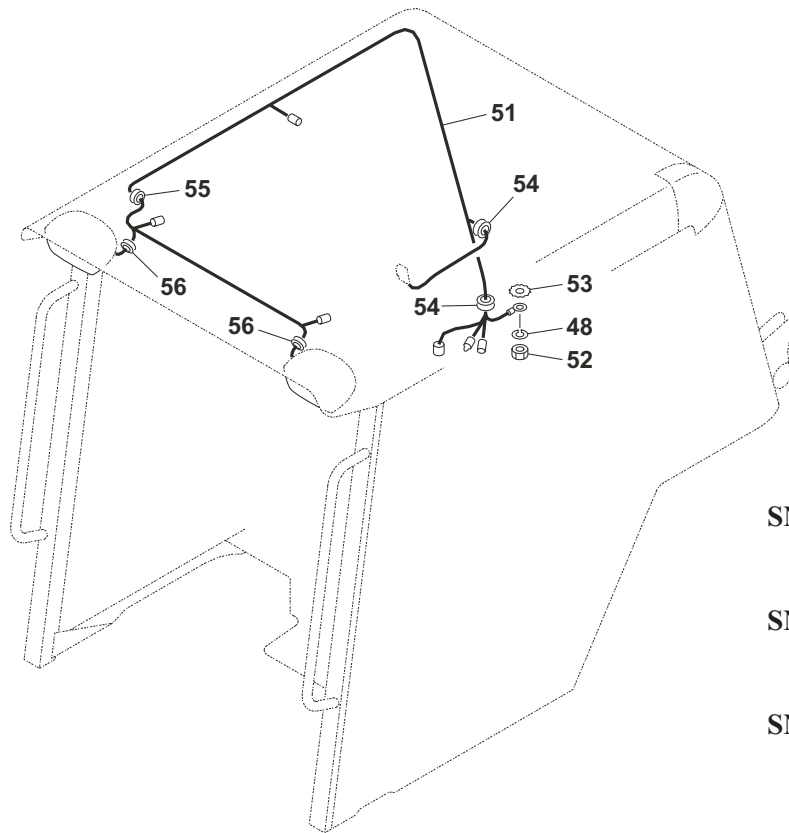
| Ref. No. | Part No. | Description | Quantity CTL60 | Quantity CTL70 | Quantity CTL80 |
|----------|----------|-------------|----------------|----------------|----------------|
| 17 | 185221E | COVER(R.H.) | 1 | 1 | - |
| | 180256D | COVER(R.H.) | 1 | 1 | - |
| | 182096B | COVER(R.H.) | - | - | 1 |
| | 181229A | COVER(R.H.) | - | - | 1 |
| 18 | 180916 | SPRING/GAS | 1 | 1 | 1 |
| 19 | 180814 | SCREW/CAP | 2 | 2 | 2 |
| 20 | 199940 | SCREW | 2 | 2 | 2 |
| 25 | 185277B | PLATE | 1 | 1 | 1 |
| | 180659A | PLATE | 1 | 1 | 1 |
| 26 | 199897 | WASHER | 4 | 4 | 4 |

A) MODEL CTL60: SN 21301098 AND BEFORE. MODEL CTL70: SN 21400007 AND BEFORE. MODEL CTL80: SN 21500220 - 21500748

B) MODEL CTL60: SN 21301099 AND UP. MODEL CTL70: SN 21400008 AND UP. MODEL CTL80: SN 21500749 AND UP

D) MODEL CTL60: SN 21301098 AND BEFORE. MODEL CTL70: SN 21400007 AND BEFORE

E) MODEL CTL60: SN 21301099 AND UP. MODEL CTL70: SN 21400008 AND UP



CTL60 Models
SN 21302233 and Up

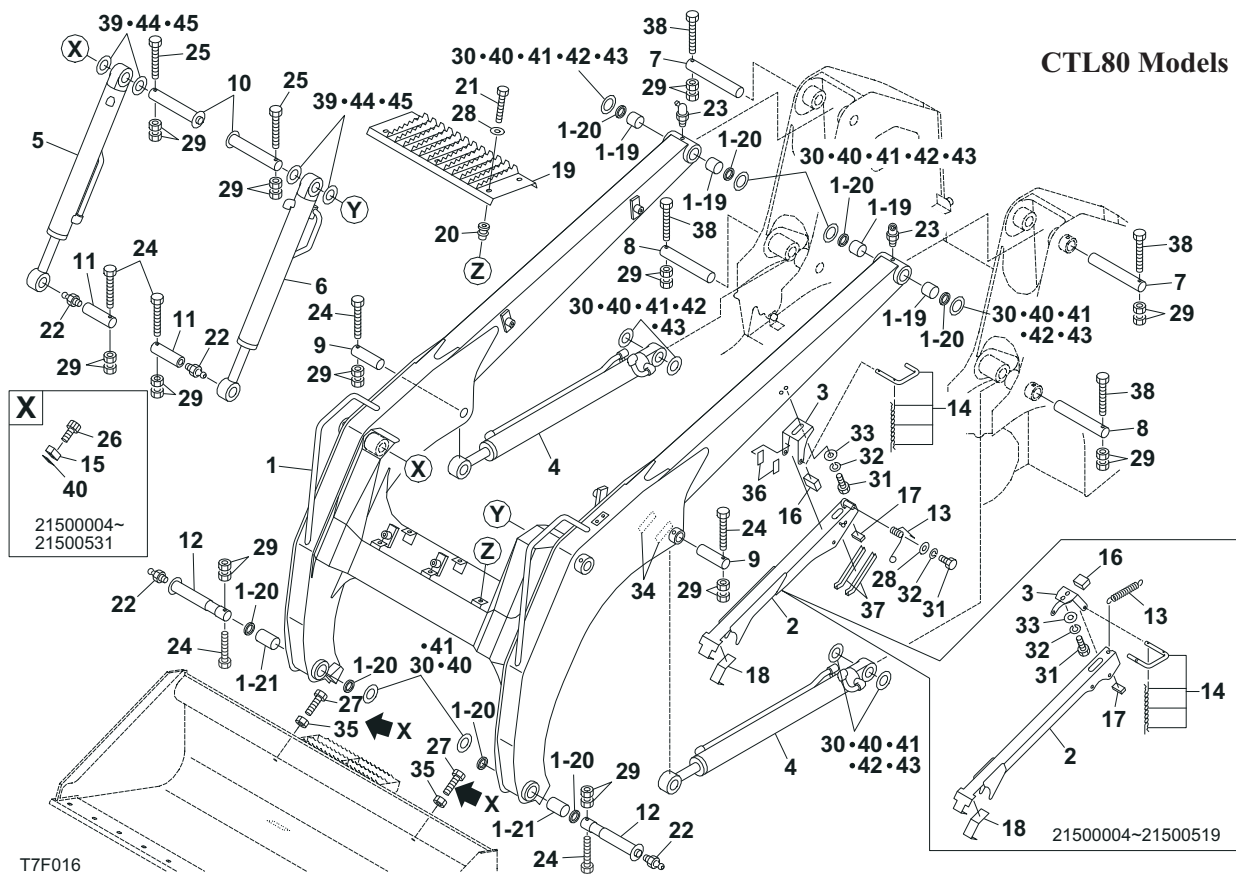
CTL70 Models
SN 21400695 and Up

CTL80 Models
SN 21501330 and Up

T8E530

| Ref. No. | Part No. | Description | Quantity |
|----------|----------|----------------|-------------------|
| | | | CTL60/CTL70/CTL80 |
| 48 | 181051 | WASHER/SPRING | 1 |
| 51 | 188256 | HARNESS/WIRING | 1 |
| 52 | 180518 | NUT | 1 |
| 53 | 181018 | WASHER | 1 |
| 54 | 180370 | GROMMET | 3 |
| 55 | 180371 | GROMMET | 1 |
| 56 | 181612 | GROMMET | 2 |

CTL80 Models

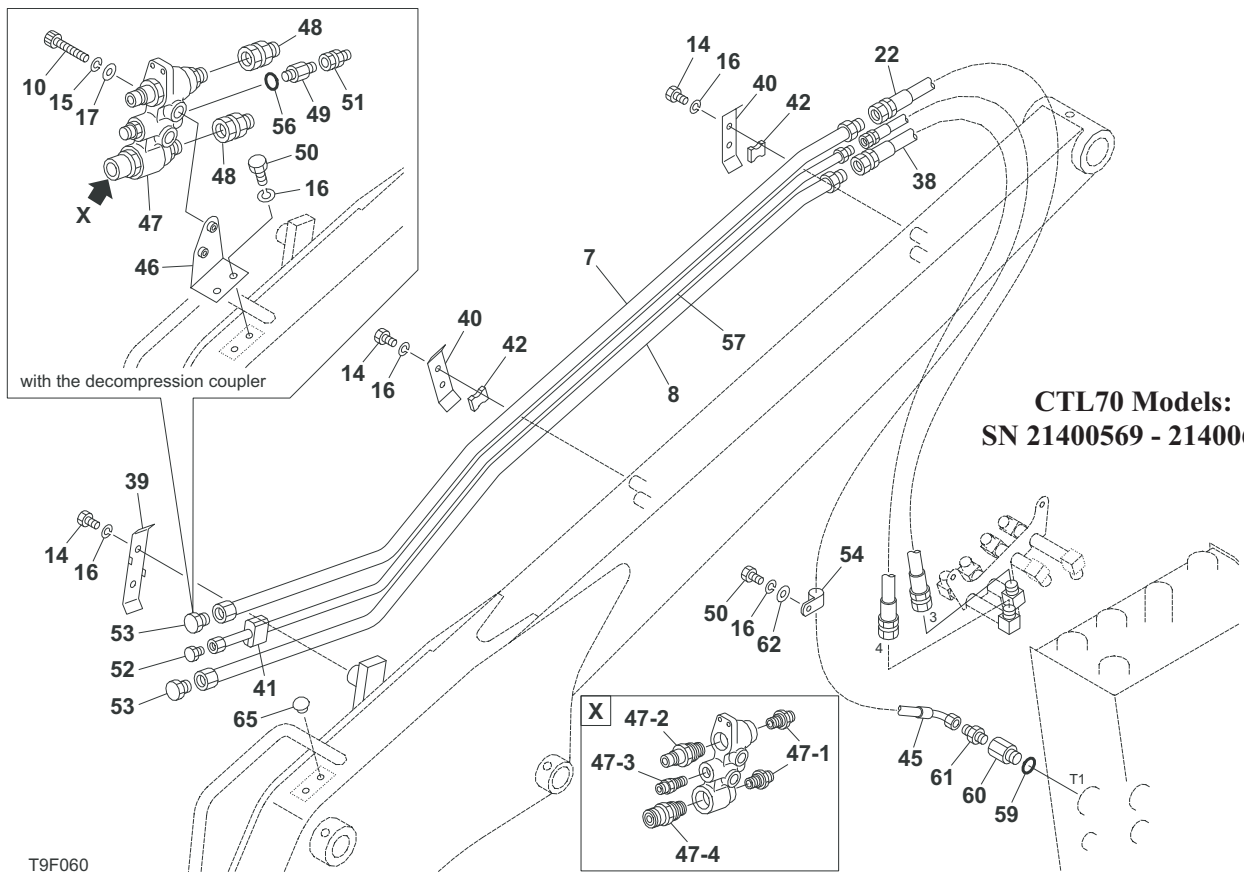


T7F016

| Ref. No. | Part No. | Description | Quantity CTL80 |
|----------|----------|---------------------|----------------|
| 19 | 181257 | STEP | 1 |
| 20 | 180049 | BAND | 6 |
| 21 | 181501 | BOLT | 6 |
| 22 | 180331 | FITTING/GREASE | 2 |
| 23 | 185407 | FITTING/GREASE | 2 |
| 24 | 181512 | BOLT | 6 |
| 25 | 181513 | BOLT | 2 |
| 26 | 180819A | SCREW/CAP | 4 |
| 27 | 185344B | BOLT | 2 |
| 28 | 181012 | WASHER | 7 |
| 29 | 180521 | NUT | 24 |
| 30 | 181075 | SHIM 1.0 MM PLASTIC | AR |
| 31 | 180808 | BOLT | 3 |
| 32 | 181050 | WASHER/SPRING | 3 |
| 33 | 181022 | WASHER | 2 |
| 34 | 180777 | RUBBER | 2 |
| 35 | 185281B | NUT | 2 |
| 36 | 182140C | PLATE/RUBBER | 2 |
| 37 | 185423C | TRIM 20 CM | 2 |
| 38 | 185360C | BOLT | 4 |
| 39 | 181073 | SHIM 1.0 MM | AR |
| 40 | 181074 | SHIM 0.2 MM METAL | AR |
| 41 | 181072 | SHIM 0.5 MM METAL | AR |
| 42 | 185212 | SHIM 3.2 MM | AR |
| 43 | 185213 | SHIM 4.5 MM | AR |
| 44 | 181070 | SHIM 0.2 MM | AR |
| 45 | 181071 | SHIM 0.5 MM | AR |

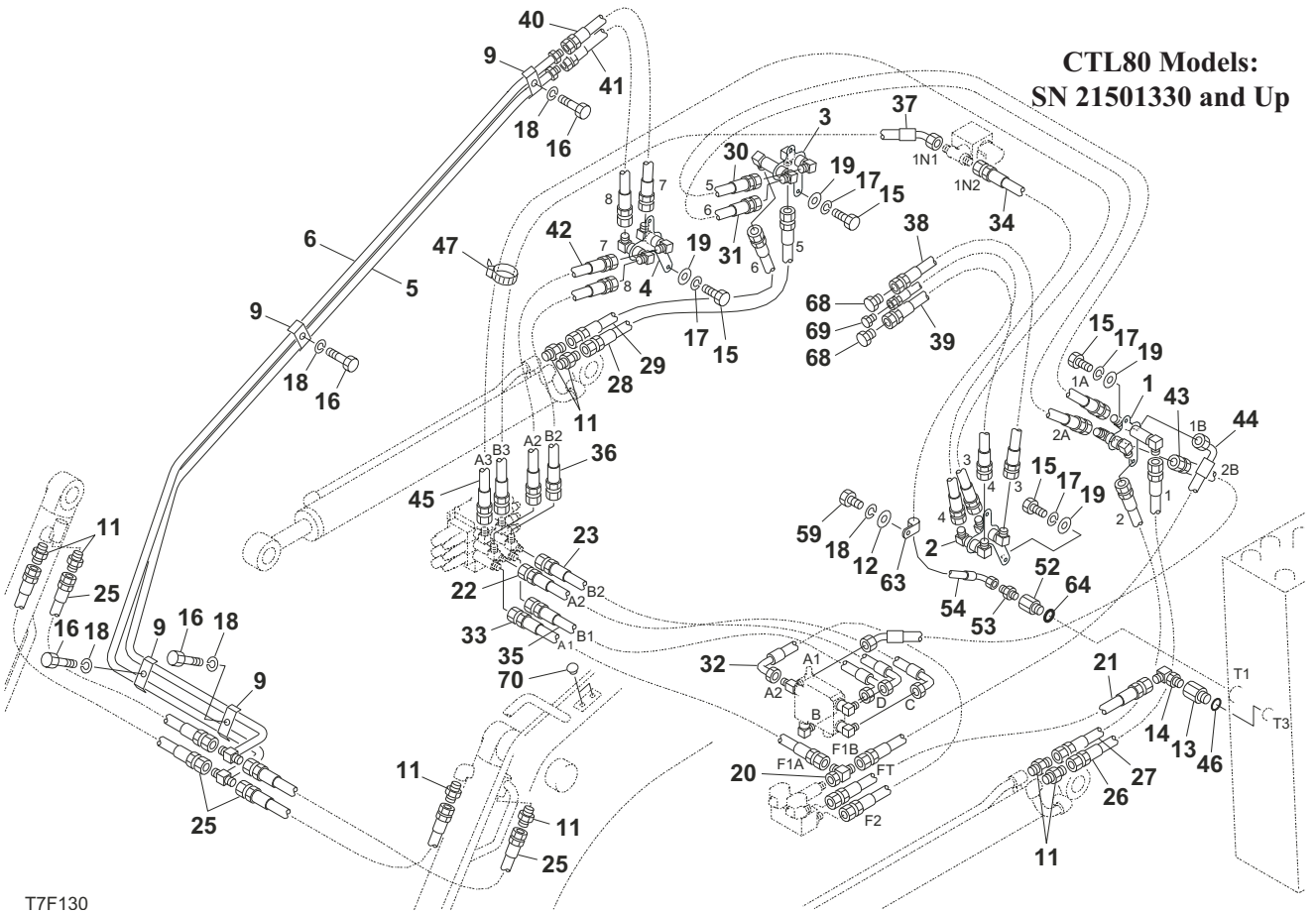
A) SN 21500004 - 21500531. B) SN 21500532 AND UP

C) SN 21500520 AND UP



| Ref. No. | Part No. | Description | Quantity CTL70 |
|----------|----------|------------------------------|----------------|
| 7 | 185667 | PIPE/UPPER | 1 |
| 8 | 185668 | PIPE/LOWER | 1 |
| 10 | 185673 | SCREW/CAP | 2 |
| | 181012 | WASHER | 2 |
| | 181050 | WASHER/SPRING | 2 |
| | 180518 | NUT | 2 |
| 14 | 180087 | BOLT | 6 |
| 15 | 181050 | WASHER/SPRING | 2 |
| 16 | 181051 | WASHER/SPRING | 7 |
| | 181051 | WASHER/SPRING (WITH COUPLER) | 9 |
| 17 | 181022 | WASHER | 2 |
| 22 | 182915 | HOSE ASSY | 1 |
| 38 | 188280 | HOSE ASSY | 1 |
| 39 | 188227 | CLAMP | 1 |
| 40 | 185674 | CLAMP | 2 |
| 41 | 185675 | RUBBER | 1 |
| 42 | 185676 | RUBBER | 2 |
| 45 | 186995 | HOSE ASSY | 1 |
| 46 | 185541 | BRACKET | 1 |
| 47 | 184130 | COUPLER/BLOCK | 1 |
| 47-1 | 184685 | FITTING/STRAIGHT 3/4 SAE | 2 |
| 47-2 | 184682 | COUPLER/MALE | 1 |
| 47-3 | 184684 | COUPLER/RETURN | 1 |
| 47-4 | 184683 | COUPLER/FEMALE | 1 |
| 48 | 185534 | ADAPTOR | 2 |

CTL80 Models:
SN 21501330 and Up



T7F130

| Ref. No. | Part No. | Description | Quantity CTL80 |
|----------|----------|-------------|----------------|
| 30 | 181334 | HOSE ASSY | 1 |
| 31 | 181335 | HOSE ASSY | 1 |
| 32 | 181367 | HOSE ASSY | 1 |
| 33 | 181368 | HOSE ASSY | 1 |
| 34 | 181336 | HOSE ASSY | 1 |
| 35 | 181369 | HOSE ASSY | 1 |
| 36 | 181337 | HOSE ASSY | 1 |
| 37 | 181338 | HOSE ASSY | 1 |
| 38 | 181371 | HOSE ASSY | 1 |
| 39 | 181339 | HOSE ASSY | 1 |
| 40 | 181371 | HOSE ASSY | 1 |
| 41 | 181340 | HOSE ASSY | 1 |
| 42 | 181341 | HOSE ASSY | 1 |
| 43 | 185306 | HOSE ASSY | 1 |
| 44 | 188260 | HOSE ASSY | 1 |
| 45 | 181342 | HOSE ASSY | 1 |
| 46 | 180544 | O-RING | 1 |
| 47 | 180046 | BAND | 1 |
| 52 | 185223 | BUSHING | 1 |
| 53 | 185588 | ADAPTOR | 1 |
| | 180544 | O-RING | 1 |
| 54 | 185305 | HOSE ASSY | 1 |
| 59 | 180085 | BOLT | 1 |
| 63 | 181656 | CLAMP | 1 |
| 64 | 180548 | O-RING | 1 |
| 68 | 188302 | PLUG | 2 |
| 69 | 188301 | PLUG | 1 |
| 70 | 188317 | CAP | 2 |

GENERAL INFORMATION



ALWAYS follow safety precautions on decals. Replace decals if they become damaged or if the unit is repainted. If repainting, BE SURE that all applicable decals are affixed in their proper locations.

Decal location information assists in the selection and application of new decals, in the event the original decals become damaged or the machine is repainted.

Specific decal part numbers for type of model and the Gehl logo must be ordered separately.

For decal replacement compare the location photographs to your machine BEFORE starting to refinish. Check off each required decal using the illustrated reference number. Find the part number, description and quantity. Refer to the illustration for replacement locations. Refer to Safety chapter of the Operator's Manual for information on the safety decals.

NEW DECAL APPLICATION

Surfaces MUST be free of dirt, dust, grease and foreign material before applying the decal. Remove smaller portion of decal backing paper and apply the exposed adhesive to the clean surface maintaining proper position and alignment. Peel off remaining backing paper and apply hand pressure to smooth out the decal surface.

GEHL PAINT FINISH

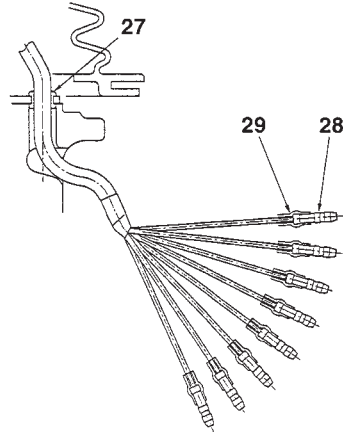
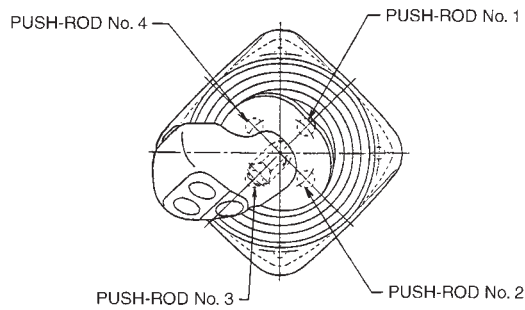
Use list below to order paint:

- | | |
|--------|----------------------------------|
| 167788 | One Gallon Gehl Yellow |
| 167789 | 6-Pack Spray Cans Gehl Yellow |
| 167754 | One Gallon Gun Metal Gray |
| 167755 | 6-Pack Spray Cans Gun Metal Gray |
| 167792 | One Gallon Red |
| 167793 | 6 (12 oz. Spray Cans) Red |

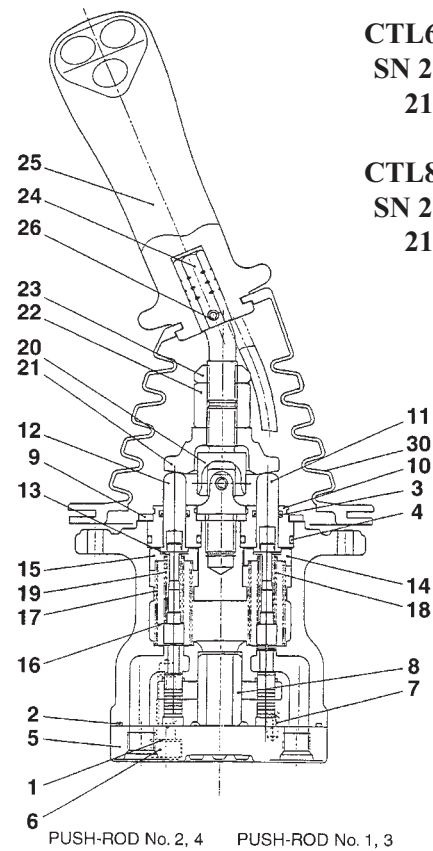
SECTION B: HYDRAULIC COMPONENTS

| | |
|--|-----|
| Control Valve | 247 |
| Inlet Housing Assembly | 249 |
| Block Assemblies | 250 |
| Self-Level Valve | 253 |
| Pilot Valve - Right and Left | 256 |
| Handle Assemblies (Slide and Three-Switch) | 264 |
| Sub Valve (Two-Speed) | 266 |
| Remote Control Valve | 267 |
| Lift Cylinder | 268 |
| Tilt Cylinder | 271 |
| Travel Motors | 274 |
| Hydraulic (Tandem) Pump | 292 |
| Gear Pump | 300 |
| Proportional Valve | 302 |

RIGHT PILOT VALVE

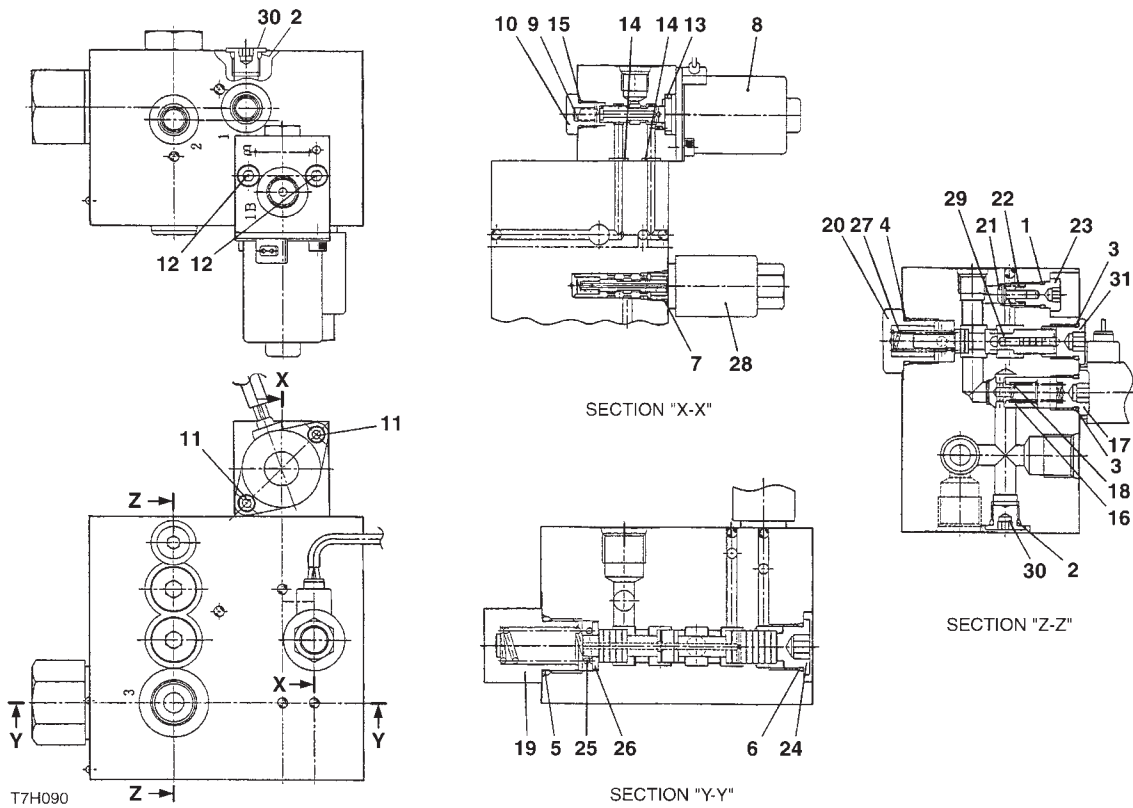


T7H070



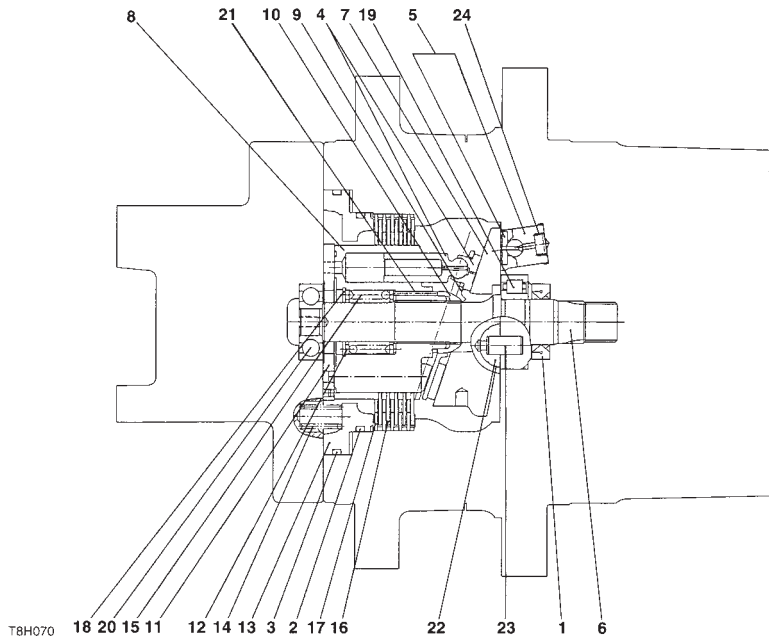
CTL60 Models:
SN 21300004 -
21307609
and
CTL80 Models:
SN 21500004 -
21503485

| Ref. No. | Part No. | Description | Quantity |
|----------|----------|---|-------------|
| | | | CTL60/CTL80 |
| | 180990 | VALVE ASSY/PILOT (INCLUDES ITEMS 1-30 AND SEAL KIT) | 1 |
| | 180490 | KIT/SEAL (INCLUDES ITEMS 1-4) | 1 |
| 1 | | WASHER | 2 |
| 2 | | O-RING | 1 |
| 3 | | SEAL | 4 |
| 4 | | O-RING | 4 |
| 5 | 180663 | PLATE | 1 |
| 6 | 181501 | SCREW/CAP | 2 |
| 7 | 180620 | PIN/SPRING | 1 |
| 8 | 180169 | BUSHING | 1 |
| 9 | 180665 | PLATE | 1 |
| 10 | 180689 | PLUG | 4 |
| 11 | 180768 | ROD | 2 |
| 12 | 180769 | ROD | 2 |
| 13 | 181038 | WASHER | 8 |
| 14 | 180381 | HOLDER | 2 |
| 15 | 180380 | HOLDER | 2 |
| 16 | 181039 | WASHER | 4 |
| 17 | 180894 | SPRING | 4 |
| 18 | 180895 | SPRING | 2 |
| 19 | 180902 | SPRING | 2 |
| 20 | 180483 | JOINT | 1 |
| 21 | 180664 | PLATE | 1 |
| 22 | 180528 | NUT | 1 |
| 23 | 180529 | NUT | 1 |
| 24 | 180501 | LEVER | 1 |
| 25 | 180497 | KNOB/HANDLE | 1 |
| 26 | 180621 | PIN/SPRING | 1 |
| 27 | 180170 | BUSHING | 1 |
| 28 | 180953 | TERMINAL | 8 |
| 29 | 180954 | TERMINAL | 8 |
| 30 | 180111 | BOOT | 1 |



| Ref. No. | Part No. | Description | Quantity |
|----------|----------|--|-------------------|
| | | | CTL60/CTL70/CTL80 |
| | 181003 | VALVE/SUB (INCLUDES ITEMS 1-31 AND SEAL KIT) | 1 |
| | 180492 | KIT/SEAL (INCLUDES ITEMS 1-7) | 1 |
| 1 | | O-RING | 1 |
| 2 | | O-RING | 2 |
| 3 | | O-RING | 2 |
| 4 | | O-RING | 1 |
| 5 | | O-RING | 1 |
| 6 | | O-RING | 1 |
| 7 | | O-RING | 1 |
| | 180874 | SOLENOID ASSY (INCLUDES ITEMS 8-15) | 1 |
| 8 | 180873 | SOLENOID/TWO-SPEED | 1 |
| 9 | 180903 | SPRING | 1 |
| 10 | 180695 | PLUG | 1 |
| 11 | 180823 | SCREW/CAP | 2 |
| 12 | 180825 | SCREW/CAP | 2 |
| 13 | 180543 | O-RING | 1 |
| 14 | 180560 | O-RING | 2 |
| 15 | 180561 | O-RING | 1 |
| 16 | 180715 | POPPET | 1 |
| 17 | 180692 | PLUG | 1 |
| 18 | 180899 | SPRING | 1 |
| 19 | 180693 | PLUG | 1 |
| 20 | 180688 | PLUG | 1 |
| 21 | 180713 | PLUNGER | 1 |
| 22 | 180891 | SPRING | 1 |
| 23 | 180687 | PLUG | 1 |
| 24 | 180694 | PLUG | 1 |
| 25 | 180900 | SPRING | 1 |
| 26 | 181041 | WASHER | 1 |
| 27 | 180901 | SPRING | 1 |
| 28 | 181001 | VALVE/SOLENOID PILOT PRESSURE | 1 |
| 29 | 180764 | RING/WIRE | 1 |
| 30 | 180691 | PLUG | 2 |
| 31 | 180690 | PLUG | 1 |

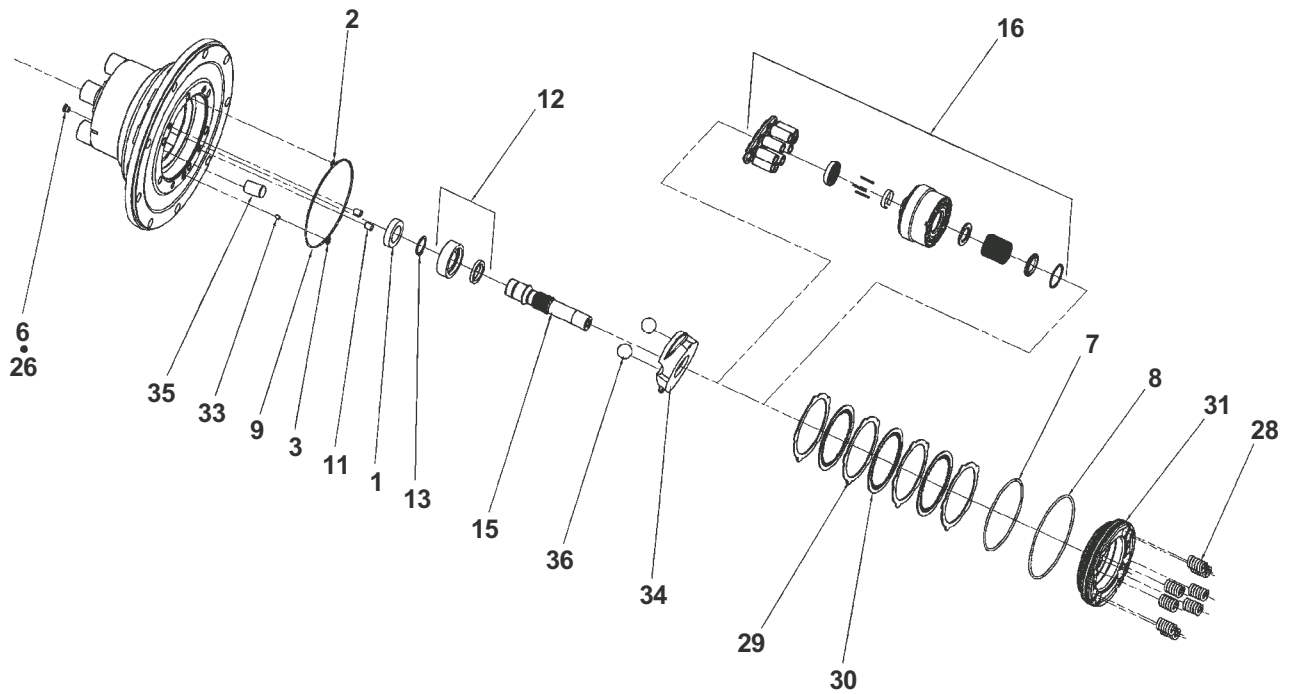
CTL60 Models:
SN 21300004 - 21303768



| Ref. No. | Part No. | Description | Quantity CTL60 |
|----------|----------|--|----------------|
| | 182089 | MOTOR ASSY/TRAVEL (INCLUDES ITEMS 1-24 AND THE SEAL KIT) | 2 |
| | 181962B | KIT/SEAL (INCLUDES ITEMS 1-3) | 1 |
| | 180495A | KIT/SEAL (INCLUDES ITEMS 1-3) | 1 |
| 1 | | SEAL/OIL | 1 |
| 2 | | O-RING | 1 |
| 3 | | O-RING | 1 |
| 4 | 181968B | PISTON KIT | 1 |
| | 180639A | PISTON KIT | 1 |
| 5 | 185565D | PISTON ASSY | 1 |
| | 185566C | PISTON ASSY | 1 |
| | 180638A | PISTON ASSY | 1 |
| 6 | 181992B | SHAFT | 1 |
| | 180854A | SHAFT | 1 |
| 7 | 181970B | PLATE | 1 |
| | 180666A | PLATE | 1 |
| 8 | 181930B | BLOCK/CYLINDER | 1 |
| | A | BLOCK/CYLINDER | 1 |
| 9 | 181971B | PLATE | 1 |
| | 180667A | PLATE | 1 |
| 10 | 181925B | BALL | 1 |
| | 180035A | BALL | 1 |
| 11 | 180668 | PLATE | 1 |
| 12 | 182017B | WASHER | 2 |
| | 181042A | WASHER | 2 |
| 13 | 180636 | PISTON | 1 |
| 14 | 180909 | SPRING | 8 |
| 15 | 180910 | SPRING | 1 |
| 16 | 180669 | PLATE | 5 |
| 17 | 180670 | PLATE | 5 |
| 18 | 180739 | RETAINING RING | 1 |
| 19 | 180056 | BEARING | 1 |
| 20 | 180057 | BEARING | 1 |
| 21 | 180611 | PIN | 3 |
| 22 | 180642 | PIVOT | 2 |
| 23 | 180610 | PIN | 2 |
| 24 | 180908 | SPRING | 1 |

- A) SN 21300004 - 21300311
- B) SN 21300312 AND UP
- C) SN 21300312 - 21301234
- D) SN 21301235 AND UP

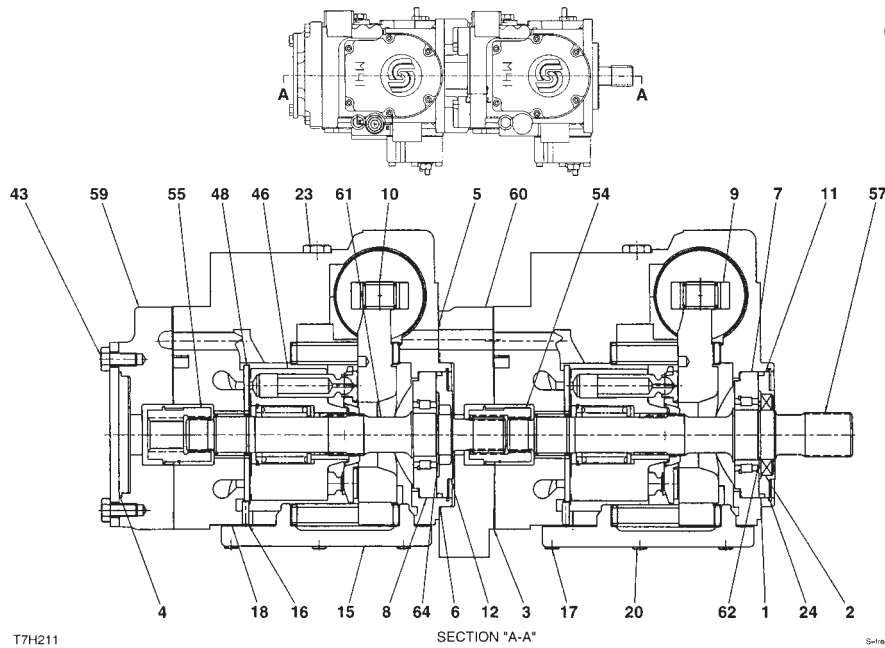
CTL70 Models: SN 21402001 and Up



T7H291

| Ref. No. | Part No. | Description | Quantity CTL70 |
|----------|----------|--|----------------|
| | 185175 | MOTOR ASSY/TRAVEL (INCLUDES ITEMS 1-36 AND THE SEAL KIT) | 1 |
| | | MOTOR ASSY | 1 |
| | 199973 | KIT/SEAL (INCLUDES ITEMS 1-9) | 1 |
| 1 | | SEAL/OIL | 1 |
| 2 | | O-RING | 1 |
| 3 | | O-RING | 3 |
| 6 | | O-RING | 3 |
| 7 | | O-RING | 1 |
| 8 | | O-RING | 1 |
| 9 | | O-RING | 1 |
| 11 | 180608 | PIN | 2 |
| 12 | 188353 | BEARING | 1 |
| 13 | 188292 | RING/SNAP | 1 |
| 15 | 188355 | SHAFT | 1 |
| 16 | 188372 | CYLINDER BLOCK KIT | 1 |
| 26 | 188345 | PLUG | 3 |
| | 180542 | O-RING | 1 |
| 28 | 188359 | SPRING | 8 |
| 29 | 188360 | PLATE | 4 |
| 30 | 188361 | PLATE | 3 |
| 31 | 188362 | PISTON/BRAKE | 1 |
| 33 | 188352 | ORIFICE | 1 |
| 34 | 188364 | PLATE/SWASH | 1 |
| 35 | 188365 | PISTON | 1 |
| 36 | 188293 | BALL/STEEL | 2 |

**CTL70/CTL80
Models**



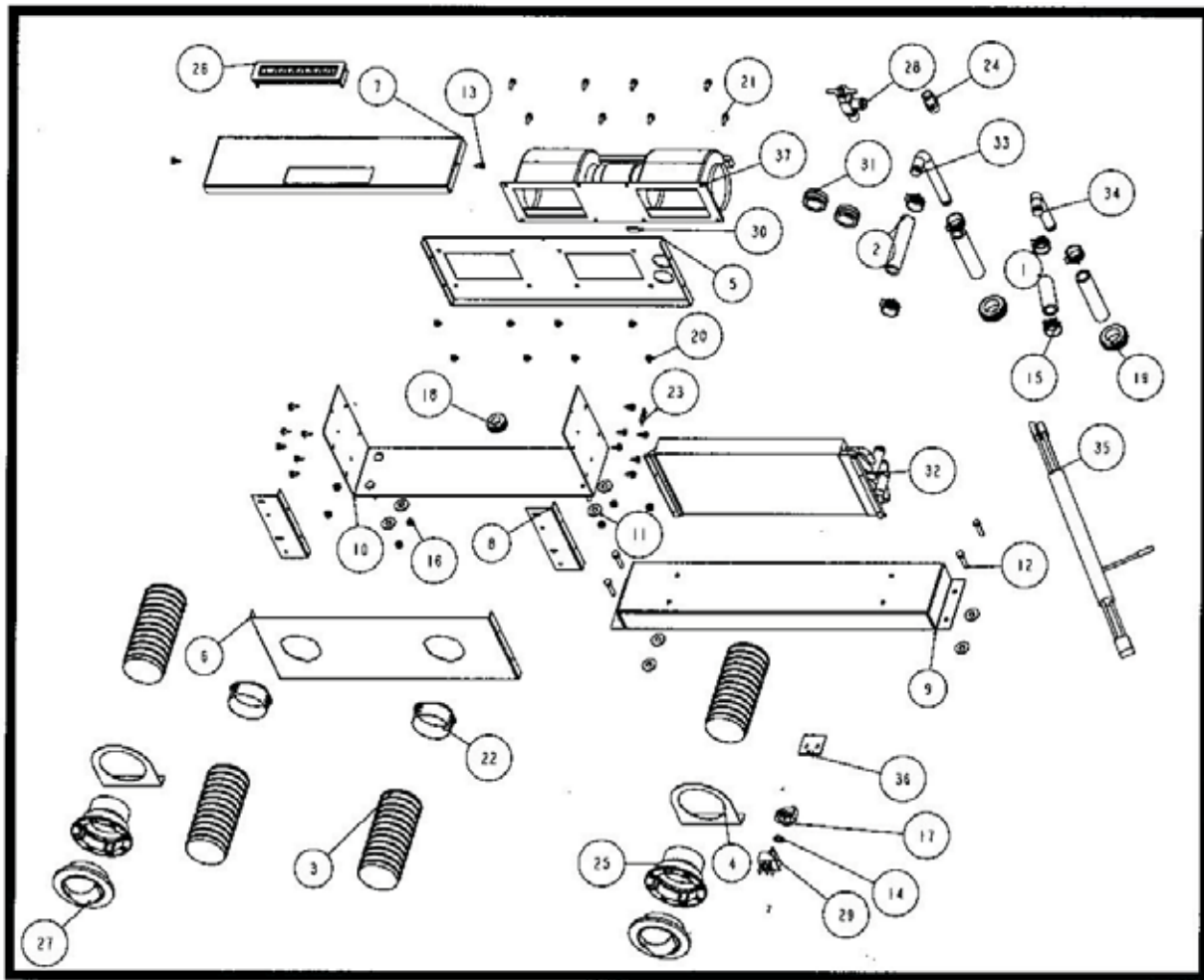
| Ref. No. | Part No. | Description | Quantity CTL70 | Quantity CTL80 |
|----------|----------|---|----------------|----------------|
| | 185167 | PUMP/HYDRAULIC (INCLUDES ITEMS 1-64 AND THE SEAL KIT) | 1 | - |
| | 181790 | PUMP/HYDRAULIC (INCLUDES ITEMS 1-64 AND THE SEAL KIT) | - | 1 |
| | 199894B | KIT/SEAL (INCLUDES ITEMS 1-6) | 1 | 1 |
| | 185172A | KIT/SEAL (INCLUDES ITEMS 1-6) | - | 1 |
| 1 | | O-RING | 2 | 2 |
| 2 | | SEAL/LIP | 1 | 1 |
| 3 | | GASKET | 2 | 2 |
| 4 | | O-RING | 1 | 1 |
| 5 | | O-RING | 1 | 1 |
| 6 | | O-RING | 1 | 1 |
| 7 | 181795 | BEARING | 1 | 1 |
| 8 | 180053 | BEARING | 1 | 1 |
| 9 | 181791 | BEARING | 2 | 2 |
| 10 | 181792 | PLATE/SWASH | 2 | 2 |
| 11 | 181796 | SEAL/CARRIER | 1 | 1 |
| 12 | 180832 | SEAL/CARRIER | 1 | 1 |
| 15 | 181798 | COVER ASSY | 2 | 2 |
| 16 | 181799 | PIN | 2 | 2 |
| 17 | 181498 | BOLT | 4 | 4 |
| 18 | 181757 | GASKET | 2 | 2 |
| 20 | 181499 | BOLT | 8 | 8 |
| 23 | 199968 | PLUG ASSY | 2 | 2 |
| 24 | 180755 | RING/RETAINING | 2 | 2 |
| 43 | 181499 | BOLT | 4 | 4 |
| 46 | 185170 | KIT/CYLINDER BLOCK | 2 | - |
| | 181806 | KIT/CYLINDER BLOCK | - | 2 |
| 48 | 181807 | PLATE/VALVE | 2 | 2 |
| 54 | 181770 | COUPLING | 1 | 1 |
| 55 | 181771 | COUPLING | 1 | 1 |
| 57 | 181793 | SHAFT (19T) | 1 | 1 |
| 59 | 180030 | ADAPTOR/A PAT | 1 | 1 |
| 60 | 185567B | ADAPTOR/B PAT | 1 | 1 |
| | 180031A | ADAPTOR/B PAT | - | 1 |
| 61 | 181794 | SHAFT (15T) | 1 | 1 |
| 62 | 181750 | RING/RETAINING | 1 | 1 |
| 64 | 180754 | RING/RETAINING | 1 | 1 |

A) 21500185 - 21500666, 21500668 - 21500783, 21500785 - 21500800, 21500804, 21500807 - 21500810, 21500813 - 21500850, 21500853 - 21500856, 21500858 - 21500859, 21500862, 21500864 - 21500884, 21500886, 21500890, 21500896, 21500910, 21500913, 21500916, 21500925, 21500928 - 21500929, 21500933 - 21500935, 21500937. B) 21500667, 21500784, 21500801 - 21500803, 21500850 - 21500806, 21500811 - 21500812, 21500851 - 21500852, 21500857, 21500860 - 21500861, 21500863, 21500885, 21500887 - 21500889, 21500891 - 21500895, 21500897 - 21500909, 21500911 - 21500912, 21500914 - 21500915, 21500917 - 21500924, 21500926 - 21500927, 21500930 - 21500932, 21500936, 21500938 ~

SECTION C: KITS AND ACCESSORIES

| | |
|--|-----|
| 810092 and 810121 Pre-Cleaner Kit | 307 |
| CTL60 SN 21301932 and Before, CTL80 | |
| 810432 Pre-Cleaner Kit | 308 |
| CTL70 SN 21400011 - 21401186, 21402001 - 21402084 | |
| 810460 and 810637 Pre-Cleaner Kit | 308 |
| CTL60 with Tier-II Engines SN 21301933 and Up | |
| CTL70 SN 214021401187 - 21401999, 21402085 and Up | |
| 810200 Door Kit (replaced by 810831). | 309 |
| 810946 Universal Radio Kit. | 310 |
| 810831 Door Kit (replaces 810200). | 311 |
| CTL60 SN 21300000 - 21301106, 21302274 and Up; CTL70 SN 21400737 and Up | |
| CTL80 SN 21500000 - 21500751, 21501330 and Up | |
| 810384 Door Kit | 312 |
| CTL60 SN 21301107 - 21302273 | |
| CTL70 SN 21400736 and Before | |
| CTL80 SN 21500752 - 21501329 | |
| 810505 ROPS/FOPS Gas Spring Replacement. | 315 |
| Auxiliary Couplers - New and Old | 315 |
| 810211 Cab Heater Kit - CTL60/25. | 316 |
| 810430 Cab Heater Kit - CTL70 | 317 |
| 810209 HVAC Kit - CTL60 SN 21301932 and Before. | 318 |
| 810477 HVAC Kit - CTL60 SN 21301933 - 21309662 (4TNNV98-YTBL Engine) | 322 |
| 810388 HVAC Kit - CTL70 SN 21406004 and Before. | 325 |
| 810210 HVAC Kit - CTL80 SN 21500627 and Before. | 328 |
| 810334 HVAC Kit - CTL80 SN 21500628 - 21504493 | 330 |
| 191135 Compressor Mount Retrofit Kit - CTL70 | 332 |
| 810380 and 810381 Side Window Kits | 333 |
| CTL60 SN 21301107 - 21302273 | |
| CTL70 SN 21400736 and Before | |
| CTL80 SN 21500752 - 21501329 | |
| 810095/810096 Side Window Kits (replaced by 810462 and 810464). | 334 |
| 810901 and 810903 Side Window Kits - Generation II HVAC System | 335 |
| 810898 Impact-Resistant Front Door Kit | 336 |
| CTL60 SN 21301106 and Before, SN 21302274 and Up | |
| CTL70 SN 21400737 and Up | |
| CTL80 SN 21500751 and Before, SN 21501330 and Up | |
| HVAC Kits -Generation II HVAC System | 337 |
| 811171 (CTL60) SN 21309663 and Up | |
| 811172 (CTL70) SN 21406005 and Up | |
| 811173 (CTL80) SN 21504494 and Up | |
| 809341 Compact Track Loader Foot Throttle Kit | 350 |
| Unillustrated Kits - Bill of Material. | 351 |

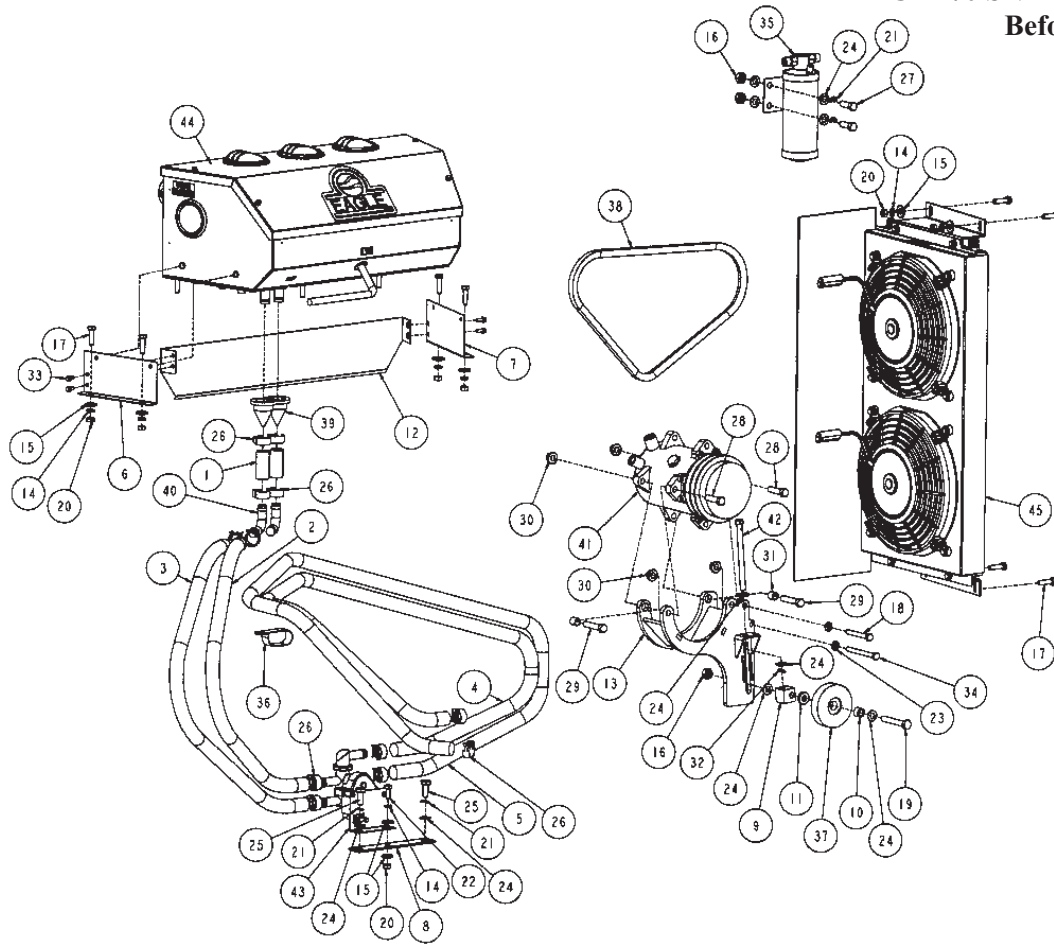
810211 Cab Heater Kit
CTL60 and CTL80



| Ref. No. | Part No. | Description | Qty. Req | Ref. No. | Part No. | Description | Qty. Req |
|----------|----------|--|----------|----------|----------|--|----------|
| 1 | REF* | HOSE/HEATER, 5/8 ID (1 PIECE) 2.5 IN | 1 | 20 | 140189 | NUT/HEX, WHIZLOCK, M05X0.80 8 | 8 |
| 2 | REF* | HOSE/HEATER, 5/8 ID (3 PIECES) 4 IN | 3 | 21 | 140188 | HHFS, M05X0.80X 12, W/O SERR. 8 | 8 |
| 3 | 140197 | HOSE/FLEX DUCT, 2-1/2" ID 4 FT | 1 | 22 | 140191 | ADAPTER/FLEX HOSE, 2 1/2" OD 2 | 2 |
| 4 | 140198 | S.M.BRKT, 3" LOUVER MOUNT PLATE 2 | 2 | 23 | 140192 | DECAL, 12 VOLT 1 | 1 |
| 5 | 184976 | S.M.HSG/MODEL EE701/BLWR MNT 1 | 1 | 24 | 140203 | FTG, HT, STR, 3/8 X 5/8 1 | 1 |
| 6 | 184977 | S.M.HSG/MODEL EE701/FRONT 1 | 1 | 25 | 140204 | LOUVER MOUNT, 2.5" HOSE 2 | 2 |
| 7 | 184978 | S.M.HSG/MODEL EE701/TOP COVER 1 | 1 | 26 | 140358 | LOUVER/RECTANGULAR 1 | 1 |
| 8 | 184979 | S.M.BRKT/MODEL EE701/HTR MNT 2 | 2 | 27 | 140205 | LOUVER, 4" OD 2 | 2 |
| 9 | 140357 | S.M.BRKT/EE700/MNT 1 | 1 | 28 | 140206 | FTG/ SHUTOFF VALVE 5/8 X 3/8. 1 | 1 |
| 10 | 184980 | WELD/HSG/MODEL EE701/BASE 1 | 1 | 29 | 140207 | SWITCH/ROTARY, FAN 12V (25A) 1 | 1 |
| 11 | 654004 | WASHER/FLAT, 5/16 ID. 12 | 12 | 30 | 140193 | DECAL/INLET. 1 | 1 |
| 12 | 656128 | HHCS M6 X 1.0 X 30MM GR8.8 PL 8 | 8 | 31 | 140194 | GROMMET/RBR. 2 | 2 |
| 13 | 140187 | SCREW, #10 X 1/2", TAB, HWH 14 | 14 | 32 | 140195 | COIL/HEAT, MODEL EE1120 1 | 1 |
| 14 | 140199 | NUT/JAM, 7/16-28 UNEF 1 | 1 | 33 | 140208 | FTG/HT, 90, CU 1 | 1 |
| 15 | 122496 | CLAMP/HOSE, 5/8" 6 | 6 | 34 | 140209 | FTG/HT, 90, CU 1 | 1 |
| 16 | 651457 | NUT/HEX, NYLOCK, M06X1.00 12 | 12 | 35 | 140211 | WIRE HARNESS/HEATER ONLY 1 | 1 |
| 17 | 140201 | KNOB/ POINTER PUSH ON, 1/4". 1 | 1 | 36 | 140212 | DECAL/HEATER ONLY. 1 | 1 |
| 18 | 140359 | GROMMET/RBR. 1 | 1 | 37 | 140196 | BLOWER ASSY, 12V. 1 | 1 |
| 19 | 140360 | GROMMET/RBR. 2 | 2 | NS | 193418 | HOSE/HEATER, 5/8 ID, BULK. 12 FT | 12 FT |

* HEATER HOSE IS CUT-TO-LENGTH FROM A 12 FT LENGTH OF HOSE - P/N 193418.

810388 HVAC Kit
CTL70 SN 21406004 and
Before



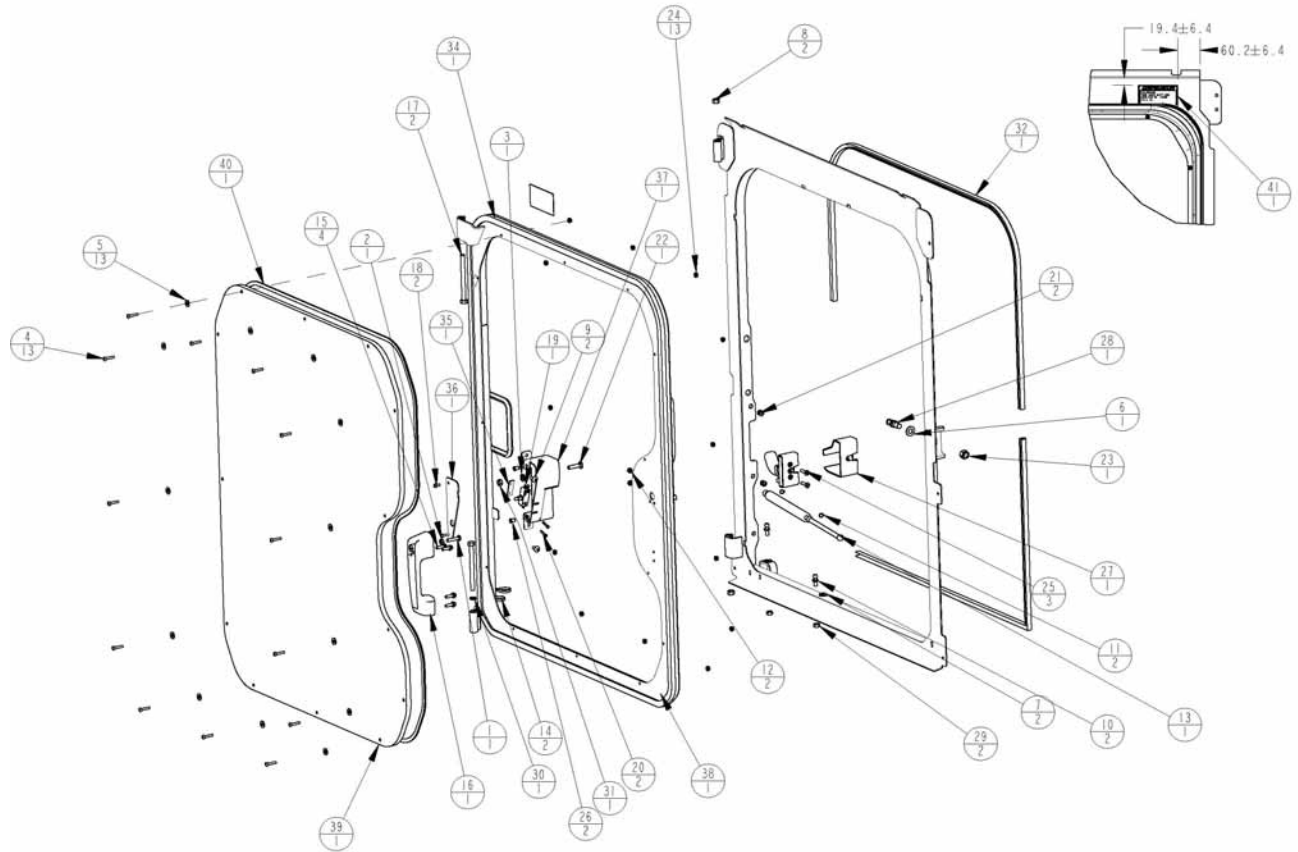
| Ref No. | Part No. | Description | Qty | Ref No. | Part No. | Description | Qty |
|--|----------|-----------------------------------|-----|---------|----------|--------------------------------------|-----|
| 1 | REF* | Hose/Heater/ 5/8" x 3" Lg | 2 | 23 | 656111 | Washer/Flat/M8 | 2 |
| 2 | REF* | Hose/Heater/ 5/8" x 36" Lg | 1 | 24 | 656133 | Washer/Flat/M10 | 10 |
| 3 | REF* | Hose/Heater/ 5/8" x 36" Lg | 1 | 25 | 656007 | Screw/Cap/M10 x 1.50 x 25 MM | 2 |
| 4 | REF* | Hose/Heater/ 5/8" x 56" Lg | 1 | 26 | 122496 | Clamp/Hose/5/8" | 12 |
| 5 | REF* | Hose/Heater/ 5/8" x 56" Lg | 1 | 27 | 656008 | Screw/Cap/M10 x 1.50 x 30 MM | 2 |
| 6 | 140431 | Bracket/Htr-AC Mount/LH | 1 | 28 | 656010 | Screw/Cap/M10 x 1.50 x 40 MM | 2 |
| 7 | 140432 | Bracket/Htr-AC Mount/RH | 1 | 29 | 184272 | Screw/Cap/M10 x 1.50 x 50 MM | 2 |
| 8 | 140545 | Bracket/Water Valve Mount Adaptor | 1 | 30 | 140444 | Nut/Hex/Mclock/M10 x 1.50 | 4 |
| 9 | 184252 | Bracket/Idler Adjuster | 1 | 31 | 184267 | Bushing/Light Spring | 2 |
| 10 | 184254 | Spacer/Tube/Idler Pulley | 1 | 32 | 184275 | Pin/Roll/1/8" Dia. x 3/4" Lg | 1 |
| 11 | 184255 | Spacer/Tube/Idler Pulley | 1 | 33 | 140413 | Screw/Flange/M5 x .80 x 12 MM | 4 |
| 12 | 140438 | Bracket/Htr/AC Mount/Front | 1 | 34 | 184273 | Screw/Cap/M8 x 1.25 x 85 MM | 1 |
| 13 | 184256 | Bracket/Compressor Mount | 1 | 35 | 140323 | Receiver/Drier w/Bracket | 1 |
| 14 | 654024 | Washer/Lock/5/16" | 7 | 36 | 140414 | Clamp/Double Hose guide | 1 |
| 15 | 654004 | Washer/Flat/5/16" | 8 | 37 | 184264 | Pulley/Idler | 1 |
| 16 | 656049 | Nut/Hex/M10 x 1.50 | 3 | 38 | 184268 | Belt/V/Compressor Drive | 1 |
| 17 | 656094 | Screw/Cap/M8 x 1.25 x 30 MM | 8 | 39 | 140452 | Grommet/Rubber/1-3/8" Hole | 2 |
| 18 | 656161 | Screw/Cap/M8 x 1.25 x 65 MM | 1 | 40 | 140190 | Fitting/Heater/90° | 2 |
| 19 | 656188 | Screw/Cap/M10 x 1.50 x 70 MM | 1 | 41 | 140305 | Compressor/Sanden | 1 |
| 20 | 656048 | Nut/Hex/M8 x 1.25 | 7 | 42 | 184265 | Screw/Cap/3/8"-16 x 5" | 1 |
| 21 | 656103 | Washer/Lock/M10 | 4 | 43 | 140462 | Valve/Heater Electronic Flow Control | 1 |
| 22 | 656001 | Screw/Cap/M8 x 1.25 x 20 MM | 1 | 44 | 140350 | Air Conditioner/Heater | 1 |
| * HEATER HOSE IS CUT-TO-LENGTH FROM A 12 FT LENGTH OF HOSE - P/N 193418. | | | | 45 | 189786 | Electric Condenser | 1 |

810898 Impact-Resistant Front Door Kit

CTL60 SN 21301106 and Before, SN 21302274 and Up

CTL70 SN 21400737 and Up

CTL80 SN 21500751 and Before, SN 21501330 and Up

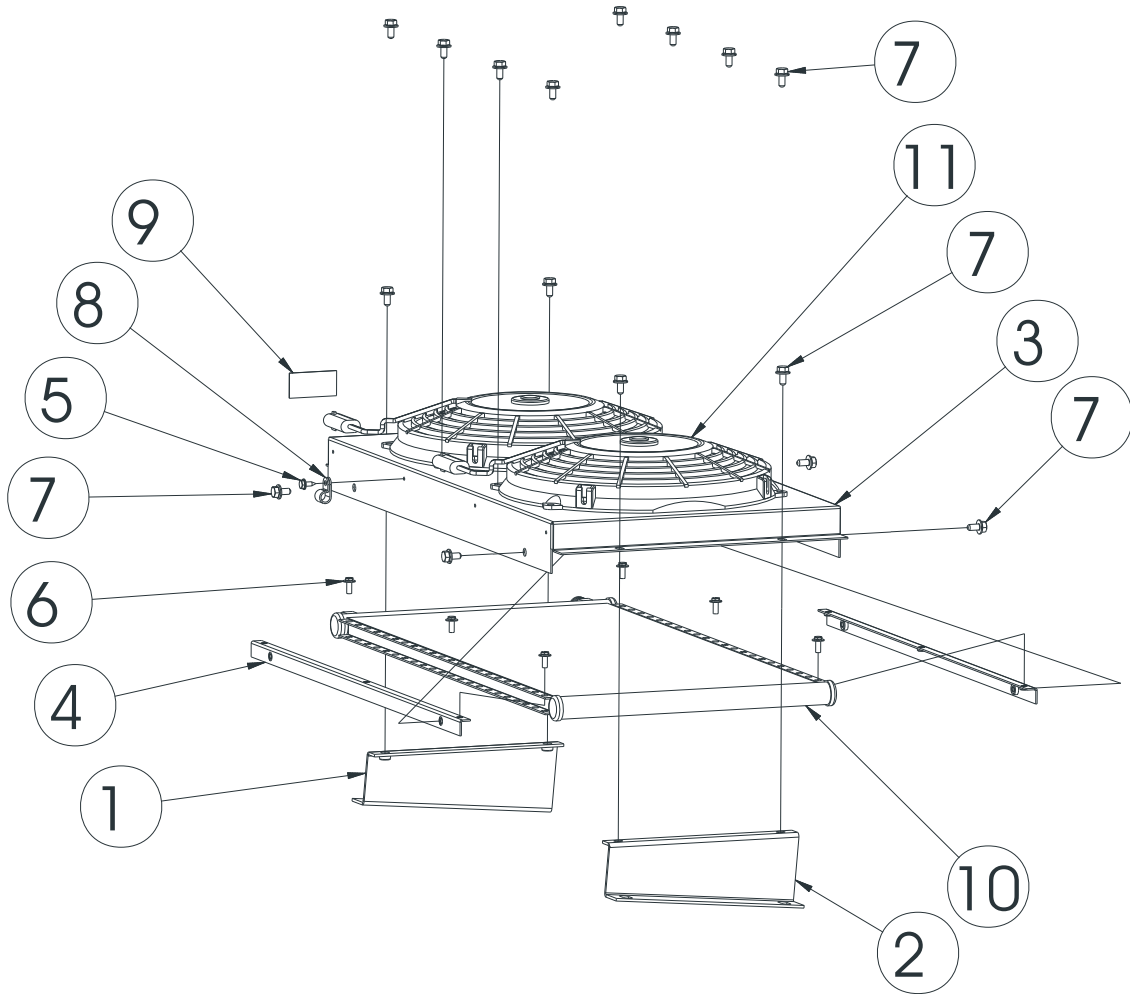


| Ref No. | Part No. | Description | Qty | Ref No. | Part No. | Description | Qty |
|---------|----------|----------------------------|-----|---------|----------|---|-----|
| 1 | 650426 | SCREW/CAP 1/4 X 1-1/4 | 1 | 23 | 101738 | NUT/HEX M12 | 1 |
| 2 | 653005 | NUT/HEX 1/4 | 1 | 24 | 193848 | NUT/HEX #10 | 13 |
| 3 | 656110 | WASHER/LOCK M8 | 1 | 25 | 651464 | SCREW/CAP M6 X 25 MM | 3 |
| 4 | 193846 | BOLT/PHILLIPS PAN #10 X 1 | 13 | 26 | 191642 | RNT #10 ROUND | 2 |
| 5 | 193847 | WASHER/WT | 13 | 27 | 182076 | LATCH/CAM | 1 |
| 6 | 182107 | WASHER/FLAT | 1 | 28 | 101710 | STRIKER M12 X 25 MM | 1 |
| 7 | 654004 | WASHER/FLAT 5/16 | 2 | 29 | 653034 | NUT/HEX JAM 5/16 | 2 |
| 8 | L500049 | NUT/LOCK 3/8 | 2 | 30 | 182116 | WASHER/FLAT BRASS | 1 |
| 9 | 138260 | SCREW/TORX HEAD 1/4 X 3/4 | 2 | 31 | 656048 | NUT/HEX M8 | 1 |
| 10 | 182056 | STUD/BALL | 2 | 32 | 191617 | TRIM/INTERIOR | 1 |
| 11 | 182057 | SPRING/CLIP | 2 | 33 | 191618 | HARNES/WIRE | 1 |
| 12 | 101753 | NUT/HEX M6 | 2 | 34 | 191619 | SEAL/DOOR | 1 |
| 13 | 182108 | SPRING/GAS | 1 | 35 | 191621 | MOUNT/SWITCH | 1 |
| 14 | | TIE/WIRE | 2 | 36 | 191645 | PLATE/SWITCH BOX | 1 |
| 15 | 138275 | SCREW/HEX FLANGE M6 X 20MM | 4 | 37 | 191646 | BOX/SWITCH | 1 |
| 16 | 138273 | LATCH/DOOR HANDLE | 1 | 38 | 193859 | DOOR/IMPACT-RESISTANT | 1 |
| 17 | 101754 | BOLT/HEX 3/8 X 4-1/2 | 2 | 39 | 193804 | WINDOW/LEXAN | 1 |
| 18 | 651343 | SCREW/MACHINE #10 X 1/2 | 2 | 40 | 193805 | SEAL/LEXAN | 1 |
| 19 | 138266 | SWITCH/LIMIT | 1 | 41 | | SERIAL TAG LOCATION | N/A |
| 20 | 138283 | SCREW/PHILLIPS #6 X 7/8 | 2 | 42 | 193749 | JUMPER/DOOR HARNES (Not Shown) | 1 |
| 21 | 191643 | RNT 1/4 ROUND | 2 | | | 193749 is a plug for the door harness when the front door is removed from the loader. It is not part of this kit. | |
| 22 | 194047 | BOLT/CARRIAGE M8 X 35 MM | 1 | | | | |

193931 Service Parts

811171 (CTL60) SN 21309663 and Up

811172 (CTL70) SN 21406005 and Up



| Ref No. | Part No. | Description | Qty |
|---------|----------|-----------------------------------|-----|
| 1 | 140318 | MOUNT/BRACKET LEFT | 1 |
| 2 | 140319 | MOUNT/BRACKET RIGHT | 1 |
| 3 | 189783 | HOUSING EE621 | 1 |
| 4 | 189784 | BRACKET/CONDENSER MNT EE621 | 2 |
| 5 | 140187 | SMS #10 X 1/2 TAB HWH BL | 1 |
| 6 | 140413 | SCREW/CAP FL M5 x 12 MM | 6 |
| 7 | 167750 | HHFS M06 X 12 MM W/O SERR | 16 |
| 8 | 193955 | CLAMP/CABLE WHITE NYLON 3/8 | 1 |
| 9 | 140416 | DECAL/REFRIGERANT NOTICE R134a .. | 1 |
| 10 | 189785 | COIL/CONDENSER EE621 | 1 |
| 11 | 193916 | FAN/10" PUSHER 12V | 2 |

| Part No. | Page No. | Ref. No. | Part No. | Page No. | Ref. No. | Part No. | Page No. | Ref. No. | Part No. | Page No. | Ref. No. |
|----------|----------|----------|----------|----------|----------|----------|----------|----------|----------|----------|----------|
| 140445 | 330 | 20 | 140462 | 329 | 43 | 175857 | 350 | 12 | 180029 | 18 | 40-12 |
| 140446 | 319 | 34 | 140462 | 331 | 44 | 175857 | 352 | 12 | 180029 | 21 | 40-12 |
| 140446 | 352 | 17 | 140462 | 338 | 45 | 175864 | 350 | 13 | 180029 | 27 | 40-12 |
| 140447 | 319 | 36 | 140462 | 341 | 43 | 175864 | 352 | 13 | 180030 | 292 | 25 |
| 140447 | 323 | 32 | 140462 | 344 | 48 | 175865 | 350 | 1 | 180030 | 296 | 59 |
| 140447 | 324 | 13 | 140465 | 319 | 6 | 175865 | 352 | 1 | 180031 | 292 | 26 |
| 140447 | 352 | 22 | 140465 | 329 | 6 | 176223 | 350 | 26 | 180031 | 296 | 60 |
| 140448 | 318 | 22 | 140465 | 331 | 6 | 176223 | 352 | 25 | 180032 | 181 | 4 |
| 140448 | 322 | 22 | 140465 | 352 | 24 | 176224 | 350 | 27 | 180034 | 207 | |
| 140448 | 325 | 22 | 140465 | 352 | 13 | 176224 | 352 | 26 | 180035 | 276 | 10 |
| 140448 | 328 | 23 | 140465 | 352 | 13 | 180000 | 151 | | 180037 | 267 | 5 |
| 140448 | 330 | 23 | 140466 | 319 | 13 | 180001 | 151 | | 180038 | 275 | 34 |
| 140448 | 338 | 9 | 140466 | 323 | 9 | 180005 | 188 | 14 | 180038 | 282 | 31 |
| 140448 | 341 | 12 | 140466 | 324 | 2 | 180005 | 193 | 14 | 180038 | 287 | 38 |
| 140448 | 344 | 12 | 140466 | 339 | 3 | 180006 | 188 | 15 | 180039 | 141 | 5 |
| 140449 | 329 | 34 | 140466 | 352 | 14 | 180006 | 193 | 15 | 180039 | 145 | 5 |
| 140449 | 331 | 35 | 140467 | 329 | 11 | 180007 | 175 | 8 | 180040 | 141 | 6 |
| 140449 | 352 | 12 | 140467 | 331 | 11 | 180007 | 176 | 8 | 180040 | 145 | 6 |
| 140449 | 352 | 12 | 140467 | 352 | 10 | 180007 | 178 | 8 | 180041 | 17 | 35 |
| 140450 | 319 | 39 | 140467 | 352 | 10 | 180008 | 64 | | 180041 | 26 | 35 |
| 140450 | 323 | 37 | 140526 | 318 | 1 | 180009 | 64 | | 180041 | 144 | |
| 140450 | 324 | 16 | 140526 | 320 | 1 | 180010 | 64 | | 180041 | 146 | |
| 140450 | 339 | 21 | 140526 | 322 | 1 | 180014 | 15 | 11 | 180041 | 148 | |
| 140450 | 352 | 10 | 140526 | 325 | 1 | 180015 | 6 | 8 | 180042 | 31 | 72 |
| 140452 | 319 | 41 | 140526 | 328 | 1 | 180015 | 7 | 8 | 180042 | 43 | 71 |
| 140452 | 323 | 39 | 140526 | 330 | 1 | 180015 | 8 | 6 | 180042 | 47 | 71 |
| 140452 | 326 | 39 | 140526 | 348 | 4 | 180015 | 9 | 6 | 180042 | 54 | 39 |
| 140453 | 320 | 27 | 140527 | 318 | 25 | 180015 | 10 | 8 | 180042 | 58 | 39 |
| 140454 | 318 | 32 | 140527 | 322 | 25 | 180016 | 104 | | 180042 | 61 | 39 |
| 140454 | 322 | 32 | 140527 | 325 | 25 | 180016 | 107 | | 180044 | 209 | |
| 140454 | 325 | 32 | 140527 | 328 | 25 | 180016 | 110 | | 180045 | 95 | 9 |
| 140454 | 328 | 33 | 140527 | 330 | 25 | 180017 | 6 | 9 | 180045 | 96 | 9 |
| 140454 | 330 | 33 | 140528 | 318 | 4 | 180017 | 7 | 9 | 180045 | 98 | 30 |
| 140454 | 338 | 21 | 140528 | 322 | 4 | 180018 | 6 | 7 | 180045 | 103 | 7 |
| 140454 | 341 | 20 | 140528 | 325 | 4 | 180018 | 7 | 7 | 180046 | 43 | 100 |
| 140454 | 344 | 24 | 140528 | 328 | 4 | 180019 | 134 | 3 | 180046 | 48 | 100 |
| 140455 | 318 | 34 | 140528 | 330 | 4 | 180020 | 113 | 24-2 | 180046 | 64 | 17 |
| 140455 | 322 | 34 | 140528 | 338 | 33 | 180020 | 116 | 24-2 | 180046 | 66 | 19 |
| 140455 | 325 | 34 | 140528 | 341 | 31 | 180022 | 113 | 24-4 | 180046 | 67 | 4 |
| 140455 | 328 | 35 | 140528 | 344 | 36 | 180022 | 114 | 50 | 180046 | 68 | 21 |
| 140455 | 330 | 35 | 140529 | 318 | 5 | 180022 | 116 | 24-4 | 180046 | 69 | 24 |
| 140455 | 338 | 23 | 140529 | 322 | 5 | 180023 | 105 | | 180046 | 70 | 18 |
| 140455 | 341 | 22 | 140529 | 325 | 5 | 180023 | 108 | | 180046 | 71 | 14 |
| 140455 | 344 | 26 | 140529 | 328 | 5 | 180023 | 109 | | 180046 | 74 | 14 |
| 140456 | 329 | 38 | 140529 | 330 | 5 | 180023 | 110 | | 180046 | 75 | 14 |
| 140456 | 331 | 38 | 140529 | 338 | 34 | 180024 | 15 | 13 | 180046 | 77 | 7 |
| 140456 | 352 | 20 | 140529 | 341 | 32 | 180024 | 18 | 40-4 | 180046 | 79 | 7 |
| 140456 | 352 | 20 | 140529 | 344 | 37 | 180024 | 18 | 45-1 | 180046 | 80 | 14 |
| 140457 | 329 | 40 | 140545 | 326 | 8 | 180024 | 21 | 40-4 | 180046 | 82 | 7 |
| 140457 | 331 | 41 | 140545 | 329 | 12 | 180024 | 21 | 45-1 | 180046 | 83 | 7 |
| 140457 | 352 | 18 | 140545 | 341 | 2 | 180024 | 27 | 40-4 | 180046 | 85 | 22 |
| 140457 | 352 | 18 | 140687 | 318 | 9 | 180024 | 27 | 45-1 | 180046 | 86 | 7 |
| 140458 | 329 | 42 | 140687 | 322 | 9 | 180024 | 105 | | 180046 | 88 | 22 |
| 140458 | 331 | 43 | 140687 | 325 | 9 | 180024 | 108 | | 180046 | 90 | 22 |
| 140458 | 345 | 18 | 140687 | 328 | 10 | 180024 | 111 | | 180046 | 91 | 7 |
| 140458 | 352 | 19 | 140687 | 330 | 10 | 180024 | 112 | | 180046 | 92 | 21 |
| 140458 | 352 | 19 | 160888 | 75 | 18 | 180025 | 209 | 44 | 180046 | 93 | 3 |
| 140459 | 329 | 39 | 167750 | 321 | 9 | 180025 | 213 | 44 | 180046 | 94 | 11 |
| 140459 | 331 | 39 | 167750 | 346 | 7 | 180026 | 105 | | 180046 | 98 | 35 |
| 140459 | 352 | 11 | 167750 | 347 | 9 | 180026 | 105 | | 180046 | 102 | 2 |
| 140459 | 352 | 11 | 167750 | 348 | 23 | 180026 | 108 | | 180046 | 143 | 58 |
| 140460 | 318 | 41 | 175602 | 350 | 5 | 180026 | 108 | | 180046 | 145 | 58 |
| 140460 | 322 | 41 | 175602 | 352 | 5 | 180026 | 111 | | 180046 | 147 | 58 |
| 140460 | 325 | 39 | 175609 | 350 | 6 | 180026 | 112 | | 180046 | 150 | 58 |
| 140460 | 328 | 40 | 175609 | 352 | 6 | 180026 | 214 | 11 | 180046 | 175 | 20 |
| 140460 | 330 | 40 | 175610 | 350 | 7 | 180026 | 218 | 11 | 180046 | 177 | 20 |
| 140461 | 319 | 48 | 175610 | 352 | 7 | 180026 | 220 | 11 | 180046 | 178 | 20 |
| 140461 | 323 | 46 | 175768 | 350 | 9 | 180026 | 225 | 11 | 180046 | 182 | 9 |
| 140461 | 324 | 19 | 175768 | 352 | 9 | 180026 | 228 | 11 | 180046 | 183 | 9 |
| 140461 | 352 | 21 | 175769 | 350 | 10 | 180027 | 105 | | 180046 | 184 | 9 |
| 140462 | 319 | 49 | 175769 | 352 | 10 | 180027 | 234 | 10 | 180046 | 209 | 37 |
| 140462 | 323 | 47 | 175773 | 350 | 11 | 180028 | 293 | 7 | 180046 | 212 | 37 |
| 140462 | 326 | 43 | 175773 | 352 | 11 | 180029 | 15 | 12 | 180046 | 219 | 55 |

NUMERICAL INDEX

| Part No. | Page No. | Ref. No. | Part No. | Page No. | Ref. No. | Part No. | Page No. | Ref. No. | Part No. | Page No. | Ref. No. |
|----------|----------|----------|----------|----------|----------|----------|----------|----------|----------|----------|----------|
| 181012 | 169 | 18 | 181021 | 94 | 9 | 181022 | 204 | 33 | 181024 | 166 | 14 |
| 181012 | 171 | 23 | 181021 | 95 | 25 | 181022 | 206 | 33 | 181024 | 167 | 14 |
| 181012 | 173 | 15 | 181021 | 98 | 27 | 181022 | 209 | 50 | 181024 | 168 | 14 |
| 181012 | 174 | 15 | 181021 | 142 | 34 | 181022 | 211 | 50 | 181024 | 169 | 17 |
| 181012 | 175 | 17 | 181021 | 145 | 34 | 181022 | 213 | 50 | 181024 | 171 | 22 |
| 181012 | 177 | 17 | 181021 | 147 | 34 | 181022 | 214 | 17 | 181024 | 268 | 23 |
| 181012 | 178 | 17 | 181021 | 149 | 34 | 181022 | 216 | 17 | 181029 | 197 | 6 |
| 181012 | 197 | 3 | 181021 | 173 | 19 | 181022 | 218 | 17 | 181032 | 2 | 18 |
| 181012 | 202 | 28 | 181021 | 174 | 19 | 181022 | 220 | 19 | 181032 | 4 | 18 |
| 181012 | 204 | 28 | 181021 | 182 | 8 | 181022 | 223 | 19 | 181033 | 1 | 13 |
| 181012 | 204 | 41 | 181021 | 183 | 8 | 181022 | 225 | 19 | 181033 | 6 | 6 |
| 181012 | 206 | 28 | 181021 | 184 | 8 | 181022 | 228 | 19 | 181033 | 10 | 5 |
| 181012 | 216 | | 181022 | 12 | 17 | 181023 | 12 | 11 | 181034 | 66 | 20 |
| 181012 | 223 | | 181022 | 17 | 34 | 181023 | 15 | 10 | 181034 | 67 | 19 |
| 181013 | 134 | 22 | 181022 | 18 | 40-9 | 181023 | 31 | 57 | 181034 | 68 | 20 |
| 181013 | 136 | 24 | 181022 | 20 | 34 | 181023 | 35 | 57 | 181034 | 69 | 25 |
| 181014 | 207 | | 181022 | 21 | 40-9 | 181023 | 39 | 57 | 181034 | 70 | 8 |
| 181015 | 188 | 9 | 181022 | 26 | 34 | 181023 | 40 | 57 | 181035 | 5 | 6 |
| 181015 | 192 | 6 | 181022 | 27 | 40-9 | 181023 | 43 | 57 | 181036 | 64 | |
| 181015 | 193 | 9 | 181022 | 28 | 56 | 181023 | 45 | 57 | 181036 | 93 | 5 |
| 181016 | 28 | 21 | 181022 | 31 | 56 | 181023 | 47 | 57 | 181037 | 63 | 2 |
| 181016 | 32 | 21 | 181022 | 32 | 56 | 181023 | 50 | 63 | 181038 | 256 | 13 |
| 181016 | 36 | 21 | 181022 | 35 | 56 | 181023 | 67 | 24 | 181038 | 258 | 13 |
| 181016 | 49 | 20 | 181022 | 36 | 56 | 181023 | 82 | 19 | 181038 | 260 | 12 |
| 181016 | 56 | 20 | 181022 | 40 | 56 | 181023 | 95 | 16 | 181038 | 262 | 12 |
| 181017 | 141 | 8 | 181022 | 43 | 56 | 181023 | 97 | 19 | 181039 | 256 | 16 |
| 181017 | 144 | | 181022 | 45 | 56 | 181023 | 101 | 7 | 181039 | 257 | 15 |
| 181017 | 146 | | 181022 | 47 | 56 | 181023 | 106 | 26 | 181039 | 258 | 16 |
| 181017 | 148 | | 181022 | 50 | 62 | 181023 | 114 | 38 | 181039 | 259 | 15 |
| 181018 | 28 | 68 | 181022 | 52 | 62 | 181023 | 117 | 38 | 181039 | 260 | 14 |
| 181018 | 31 | 68 | 181022 | 54 | 62 | 181023 | 130 | 33 | 181039 | 261 | 13 |
| 181018 | 32 | 68 | 181022 | 54 | 62 | 181023 | 138 | 17 | 181039 | 262 | 14 |
| 181018 | 36 | 68 | 181022 | 56 | 62 | 181023 | 139 | 17 | 181039 | 263 | 13 |
| 181018 | 41 | 85 | 181022 | 58 | 62 | 181023 | 140 | 15 | 181041 | 266 | 26 |
| 181018 | 43 | 85 | 181022 | 62 | 101 | 181023 | 141 | 11 | 181042 | 276 | 12 |
| 181018 | 45 | 85 | 181022 | 67 | 23 | 181023 | 145 | 39 | 181043 | 295 | 10 |
| 181018 | 50 | 70 | 181022 | 78 | 20 | 181023 | 147 | 39 | 181043 | 299 | 66 |
| 181018 | 56 | 70 | 181022 | 79 | 20 | 181023 | 149 | 11 | 181044 | 134 | 13 |
| 181018 | 59 | 70 | 181022 | 81 | 44 | 181023 | 152 | 26 | 181044 | 135 | 22 |
| 181018 | 71 | 9 | 181022 | 82 | 18 | 181023 | 154 | 19 | 181044 | 136 | 22 |
| 181018 | 73 | 9 | 181022 | 83 | 20 | 181023 | 156 | 19 | 181045 | 197 | 10 |
| 181018 | 75 | 9 | 181022 | 86 | 20 | 181023 | 158 | 19 | 181046 | 66 | 10 |
| 181018 | 80 | 9 | 181022 | 91 | 20 | 181023 | 160 | 19 | 181046 | 69 | 11 |
| 181018 | 84 | 11 | 181022 | 92 | 20 | 181023 | 162 | 19 | 181046 | 70 | 16 |
| 181018 | 87 | 11 | 181022 | 95 | 29 | 181023 | 163 | 19 | 181047 | 94 | 5 |
| 181018 | 89 | 11 | 181022 | 95 | 31 | 181023 | 175 | 16 | 181048 | 78 | 16 |
| 181018 | 93 | 2 | 181022 | 96 | 21 | 181023 | 177 | 16 | 181048 | 79 | 16 |
| 181018 | 94 | 7 | 181022 | 97 | 24 | 181023 | 178 | 16 | 181048 | 86 | 16 |
| 181018 | 95 | 17 | 181022 | 106 | 25 | 181023 | 185 | 11 | 181048 | 91 | 16 |
| 181018 | 96 | 16 | 181022 | 109 | 23 | 181023 | 187 | 11 | 181048 | 92 | 16 |
| 181018 | 97 | 20 | 181022 | 112 | 23 | 181023 | 189 | 32 | 181048 | 187 | 22 |
| 181018 | 196 | 53 | 181022 | 127 | 38 | 181023 | 192 | 16 | 181049 | 15 | 8 |
| 181019 | 94 | 8 | 181022 | 130 | 38 | 181023 | 194 | 32 | 181049 | 17 | 38 |
| 181020 | 187 | 24 | 181022 | 142 | 42 | 181023 | 195 | 23 | 181049 | 17 | 38 |
| 181021 | 15 | 16 | 181022 | 150 | 42 | 181023 | 211 | 52 | 181049 | 20 | 38 |
| 181021 | 16 | 55 | 181022 | 152 | 25 | 181023 | 213 | 52 | 181049 | 22 | 24 |
| 181021 | 52 | 61 | 181022 | 154 | 18 | 181023 | 217 | 62 | 181049 | 23 | 24 |
| 181021 | 54 | 61 | 181022 | 156 | 18 | 181023 | 219 | 62 | 181049 | 26 | 38 |
| 181021 | 58 | 61 | 181022 | 157 | 18 | 181023 | 223 | 12 | 181049 | 31 | 62 |
| 181021 | 61 | 61 | 181022 | 160 | 18 | 181023 | 225 | 12 | 181049 | 35 | 62 |
| 181021 | 68 | 16 | 181022 | 162 | 18 | 181023 | 230 | 69 | 181049 | 39 | 62 |
| 181021 | 72 | 30 | 181022 | 163 | 18 | 181023 | 285 | 25 | 181049 | 50 | 56 |
| 181021 | 74 | 30 | 181022 | 169 | 16 | 181024 | 32 | 86 | 181049 | 52 | 56 |
| 181021 | 76 | 30 | 181022 | 172 | 14 | 181024 | 36 | 86 | 181049 | 54 | 56 |
| 181021 | 78 | 19 | 181022 | 175 | 18 | 181024 | 50 | 97 | 181049 | 54 | 56 |
| 181021 | 79 | 19 | 181022 | 177 | 18 | 181024 | 56 | 97 | 181049 | 58 | 56 |
| 181021 | 83 | 19 | 181022 | 178 | 18 | 181024 | 124 | 39 | 181049 | 61 | 56 |
| 181021 | 85 | 30 | 181022 | 180 | 4 | 181024 | 134 | 20 | 181049 | 72 | 29 |
| 181021 | 86 | 19 | 181022 | 185 | 10 | 181024 | 135 | 25 | 181049 | 74 | 29 |
| 181021 | 88 | 30 | 181022 | 187 | 10 | 181024 | 136 | 20 | 181049 | 76 | 29 |
| 181021 | 90 | 30 | 181022 | 189 | 31 | 181024 | 152 | 30 | 181049 | 78 | 17 |
| 181021 | 91 | 19 | 181022 | 194 | 31 | 181024 | 158 | 32 | 181049 | 79 | 17 |
| 181021 | 92 | 19 | 181022 | 202 | 33 | 181024 | 165 | 23 | 181049 | 80 | 29 |

NUMERICAL INDEX

| Part No. | Page No. | Ref. No. | Part No. | Page No. | Ref. No. | Part No. | Page No. | Ref. No. | Part No. | Page No. | Ref. No. |
|----------|----------|----------|----------|----------|----------|----------|----------|----------|----------|----------|----------|
| 185167 | 135 | 15 | 185217 | 112 | | 185264 | 135 | 3 | 185306 | 229 | 43 |
| 185167 | 296 | | 185218 | 104 | | 185264 | 136 | 4 | 185307 | 140 | 3 |
| 185167 | 297 | | 185218 | 107 | | 185265 | 84 | 8 | 185308 | 140 | 4 |
| 185167 | 298 | | 185218 | 211 | 61 | 185266 | 184 | 2 | 185309 | 143 | 63 |
| 185167 | 299 | | 185218 | 217 | 49 | 185267 | 182 | 3 | 185309 | 148 | |
| 185168 | 297 | 27 | 185218 | 223 | 58 | 185267 | 183 | 3 | 185310 | 159 | 4 |
| 185169 | 294 | 3 | 185219 | 139 | 22 | 185267 | 184 | 3 | 185310 | 161 | 4 |
| 185169 | 298 | 25 | 185220 | 112 | | 185268 | 182 | | 185310 | 163 | 4 |
| 185170 | 296 | 46 | 185221 | 186 | 17 | 185268 | 184 | 4 | 185311 | 157 | |
| 185171 | 298 | 49 | 185222 | 121 | 31-4 | 185269 | 87 | | 185312 | 166 | 3 |
| 185172 | 296 | | 185222 | 122 | 31-4 | 185269 | 91 | | 185312 | 167 | 3 |
| 185173 | 135 | 16 | 185223 | 217 | 60 | 185270 | 91 | 1 | 185312 | 169 | 4 |
| 185173 | 300 | | 185223 | 219 | 60 | 185271 | 91 | 4 | 185313 | 157 | 5 |
| 185174 | 294 | 4 | 185223 | 223 | 52 | 185271 | 92 | 5 | 185313 | 159 | 5 |
| 185174 | 298 | 26 | 185223 | 226 | 52 | 185272 | 87 | 2 | 185313 | 161 | 5 |
| 185175 | 9 | 2 | 185223 | 227 | 56 | 185273 | 73 | 4 | 185313 | 163 | 5 |
| 185175 | 285 | | 185223 | 230 | 56 | 185273 | 75 | 4 | 185314 | 157 | 2 |
| 185175 | 286 | | 185224 | 227 | 53 | 185273 | 89 | 7 | 185314 | 172 | |
| 185175 | 287 | | 185224 | 230 | 53 | 185274 | 87 | 1 | 185315 | 172 | |
| 185176 | 8 | 2 | 185225 | 227 | 60 | 185274 | 89 | 1 | 185318 | 159 | |
| 185176 | 281 | | 185226 | 14 | 1 | 185274 | 92 | | 185319 | 159 | |
| 185176 | 283 | | 185227 | 182 | | 185275 | 92 | 1 | 185320 | 159 | 10 |
| 185176 | 284 | | 185228 | 177 | 26 | 185276 | 64 | 8 | 185321 | 159 | |
| 185178 | 82 | 11 | 185228 | 179 | 26 | 185276 | 64 | | 185326 | 159 | |
| 185179 | 42 | 42 | 185229 | 177 | 27 | 185277 | 186 | 25 | 185326 | 173 | |
| 185179 | 47 | 42 | 185229 | 179 | 27 | 185278 | 15 | 1 | 185327 | 173 | 6 |
| 185180 | 42 | 41 | 185231 | 76 | 37 | 185279 | 15 | 2 | 185327 | 174 | 6 |
| 185180 | 47 | 41 | 185231 | 182 | 2 | 185281 | 202 | 36 | 185328 | 173 | 8 |
| 185181 | 40 | 40 | 185232 | 71 | 1 | 185281 | 204 | 40 | 185329 | 173 | |
| 185181 | 44 | 40 | 185233 | 73 | 5 | 185281 | 206 | 35 | 185330 | 173 | |
| 185183 | 147 | 53 | 185233 | 75 | 5 | 185281 | 207 | 18 | 185338 | 188 | 5 |
| 185184 | 147 | 55 | 185234 | 73 | 1 | 185282 | 205 | | 185338 | 192 | 2 |
| 185185 | 147 | 59 | 185235 | 73 | 2 | 185283 | 201 | 14 | 185338 | 193 | 5 |
| 185186 | 83 | 5 | 185235 | 77 | | 185283 | 203 | 14 | 185339 | 188 | 20 |
| 185187 | 40 | 33 | 185237 | 143 | 63 | 185283 | 205 | 14 | 185339 | 192 | 7 |
| 185187 | 44 | 33 | 185237 | 144 | | 185285 | 123 | 7 | 185339 | 193 | 20 |
| 185188 | 42 | 34 | 185238 | 151 | 6 | 185285 | 126 | 7 | 185340 | 188 | 6 |
| 185188 | 47 | 34 | 185239 | 14 | | 185285 | 129 | 7 | 185340 | 192 | 3 |
| 185189 | 40 | 36 | 185240 | 184 | | 185286 | 124 | 30 | 185340 | 193 | 6 |
| 185189 | 44 | 36 | 185241 | 176 | | 185287 | 123 | 28 | 185344 | 202 | 35 |
| 185190 | 40 | 38 | 185242 | 176 | | 185287 | 126 | 28 | 185344 | 204 | 39 |
| 185190 | 44 | 38 | 185243 | 176 | | 185287 | 129 | 28 | 185344 | 206 | 27 |
| 185192 | 42 | 35 | 185244 | 30 | 23 | 185288 | 128 | 81 | 185344 | 207 | 19 |
| 185192 | 47 | 35 | 185244 | 42 | 27 | 185288 | 131 | 81 | 185345 | 52 | 89 |
| 185194 | 281 | 10 | 185244 | 46 | 27 | 185289 | 128 | 78 | 185345 | 55 | 89 |
| 185195 | 281 | 11 | 185244 | 49 | 13 | 185289 | 131 | 78 | 185345 | 56 | 89 |
| 185196 | 281 | 12 | 185244 | 57 | 13 | 185290 | 126 | 30 | 185346 | 52 | 90 |
| 185197 | 281 | 13 | 185244 | 60 | 13 | 185290 | 129 | 30 | 185346 | 55 | 90 |
| 185198 | 281 | 14 | 185245 | 49 | 8 | 185291 | 126 | | 185346 | 56 | 90 |
| 185199 | 281 | 16 | 185245 | 57 | 8 | 185292 | 128 | 77 | 185347 | 52 | 91 |
| 185200 | 281 | 17 | 185245 | 60 | 8 | 185292 | 131 | 77 | 185347 | 55 | 91 |
| 185201 | 281 | 18 | 185247 | 53 | 11 | 185293 | 27 | 52 | 185348 | 203 | |
| 185202 | 281 | 19 | 185248 | 53 | 18 | 185294 | 27 | 53 | 185349 | 82 | 20 |
| 185203 | 281 | 0-4 | 185249 | 53 | 21 | 185295 | 111 | | 185349 | 162 | 35 |
| 185204 | 281 | 0-3 | 185249 | 57 | 21 | 185296 | 220 | | 185349 | 173 | 9 |
| 185206 | 11 | 1 | 185249 | 60 | 21 | 185297 | 220 | | 185349 | 174 | 9 |
| 185210 | 205 | 7 | 185250 | 53 | 14 | 185298 | 227 | 10 | 185350 | 182 | |
| 185211 | 80 | 30 | 185251 | 53 | 15 | 185299 | 221 | 38 | 185351 | 50 | 82 |
| 185211 | 82 | 21 | 185252 | 53 | 16 | 185299 | 230 | 38 | 185351 | 135 | 17 |
| 185211 | 95 | 34 | 185253 | 53 | 17 | 185300 | 221 | 39 | 185352 | 109 | 14 |
| 185211 | 100 | 13 | 185254 | 55 | 92 | 185301 | 227 | 48 | 185353 | 106 | 29 |
| 185212 | 204 | 46 | 185255 | 55 | 93 | 185301 | 230 | 48 | 185353 | 109 | 16 |
| 185212 | 206 | 42 | 185256 | 55 | 94 | 185302 | 227 | 49 | 185354 | 302 | 2 |
| 185213 | 204 | 47 | 185257 | 49 | 1 | 185302 | 230 | 49 | 185355 | 7 | 4 |
| 185213 | 206 | 43 | 185257 | 56 | 1 | 185303 | 227 | 50 | 185355 | 8 | 3 |
| 185214 | 177 | 31 | 185258 | 55 | 91 | 185303 | 230 | 50 | 185355 | 9 | 3 |
| 185214 | 179 | 31 | 185258 | 56 | 91 | 185304 | 227 | 51 | 185356 | 41 | 91 |
| 185214 | 202 | 41 | 185259 | 55 | 95 | 185305 | 223 | 54 | 185356 | 45 | 91 |
| 185215 | 188 | 21 | 185259 | 56 | 95 | 185305 | 226 | 54 | 185357 | 44 | 4 |
| 185215 | 192 | 8 | 185260 | 70 | 1 | 185305 | 227 | 52 | 185357 | 342 | 16 |
| 185215 | 193 | 21 | 185261 | 70 | 2 | 185305 | 230 | 52 | 185358 | 202 | 24 |
| 185217 | 104 | | 185262 | 70 | 3 | 185306 | 221 | 43 | 185358 | 204 | 24 |
| 185217 | 107 | | 185263 | 70 | 4 | 185306 | 226 | 43 | 185359 | 202 | 39 |

NUMERICAL INDEX

CLICK HERE TO **DOWNLOAD** THE COMPLETE MANUAL

- Thank you very much for reading the preview of the manual.
- You can download the complete manual from: www.heydownloads.com by clicking the link below



- Please note: If there is no response to CLICKING the link, please download this PDF first and then click on it.

CLICK HERE TO **DOWNLOAD** THE COMPLETE MANUAL