




MANITOU

HANDLING YOUR WORLD

**GENUINE PARTS CATALOGUE
CATALOGUE PIÈCES D'ORIGINE
ORIGINAL ERSATZTEILKATALOG
CATALOGO DE PIEZAS LEGITIMAS
CATALOGO RICAMBI ORIGINALI**

This document has been printed from  **mye doc**

MANITOU BF

Head office: 430, Rue de l'Aubinière
44150 Ancenis - FRANCE
Share capital: 39,548,949 euros
857 802 508 RCS Nantes
Tel: +33 (0)2 40 09 10 11
www.manitou.com

CLICK HERE TO **DOWNLOAD** THE COMPLETE MANUAL

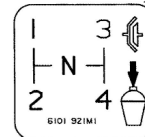
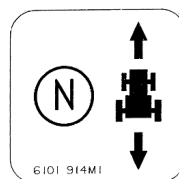
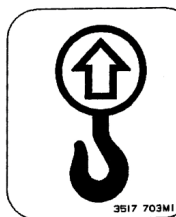
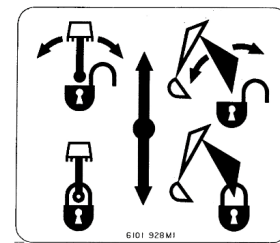
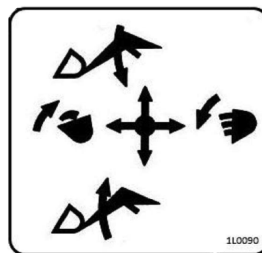
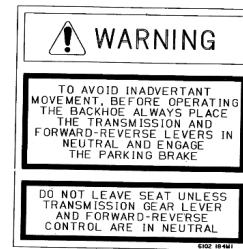
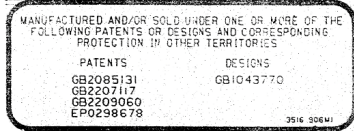
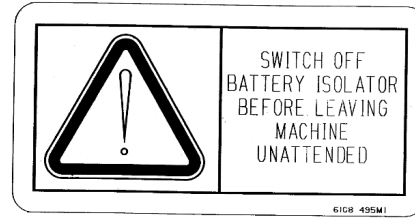
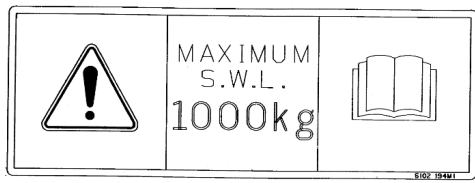
- Thank you very much for reading the preview of the manual.
- You can download the complete manual from: www.heydownloads.com by clicking the link below



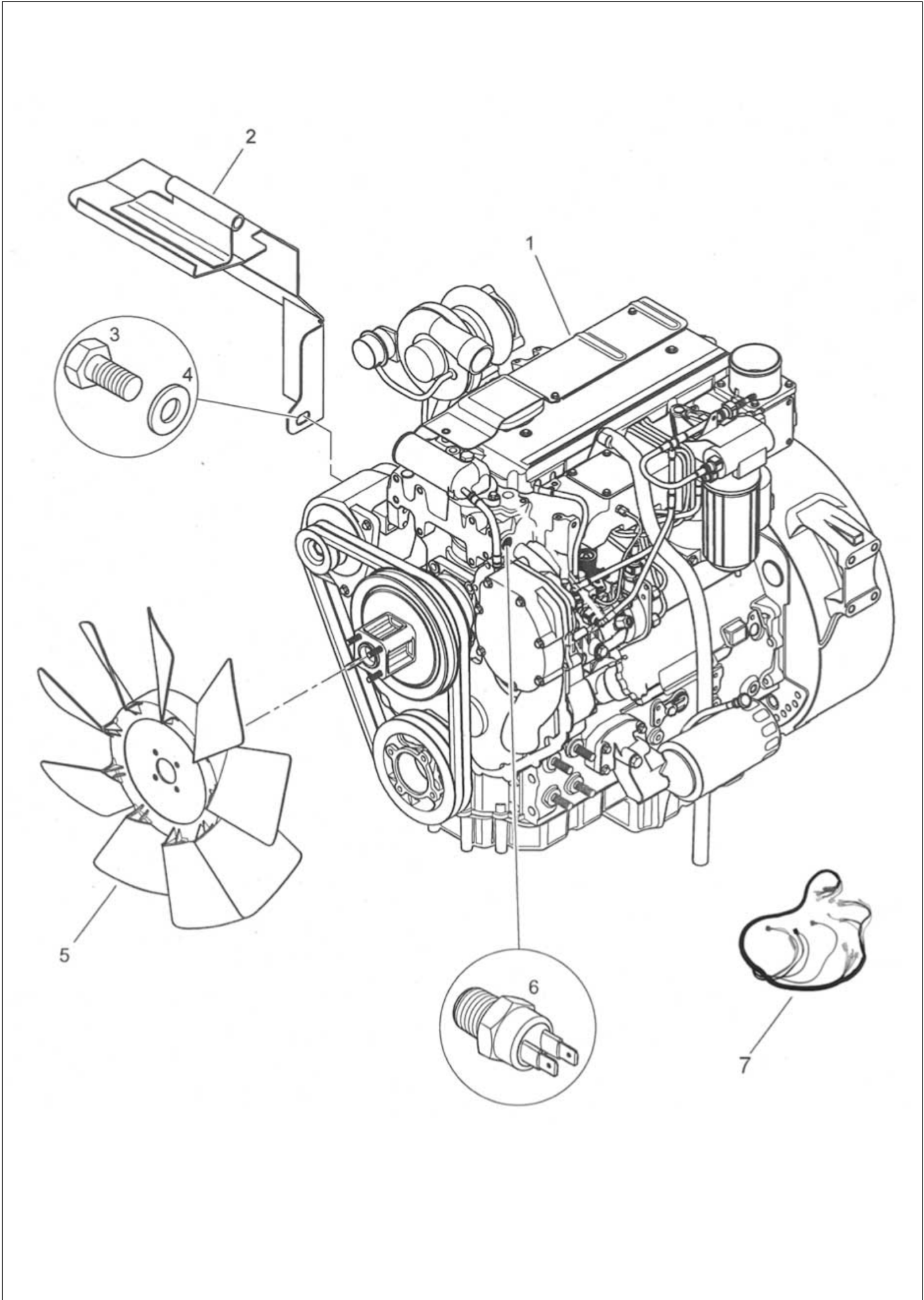
- Please note: If there is no response to CLICKING the link, please download this PDF first and then click on it.

CLICK HERE TO **DOWNLOAD** THE COMPLETE MANUAL

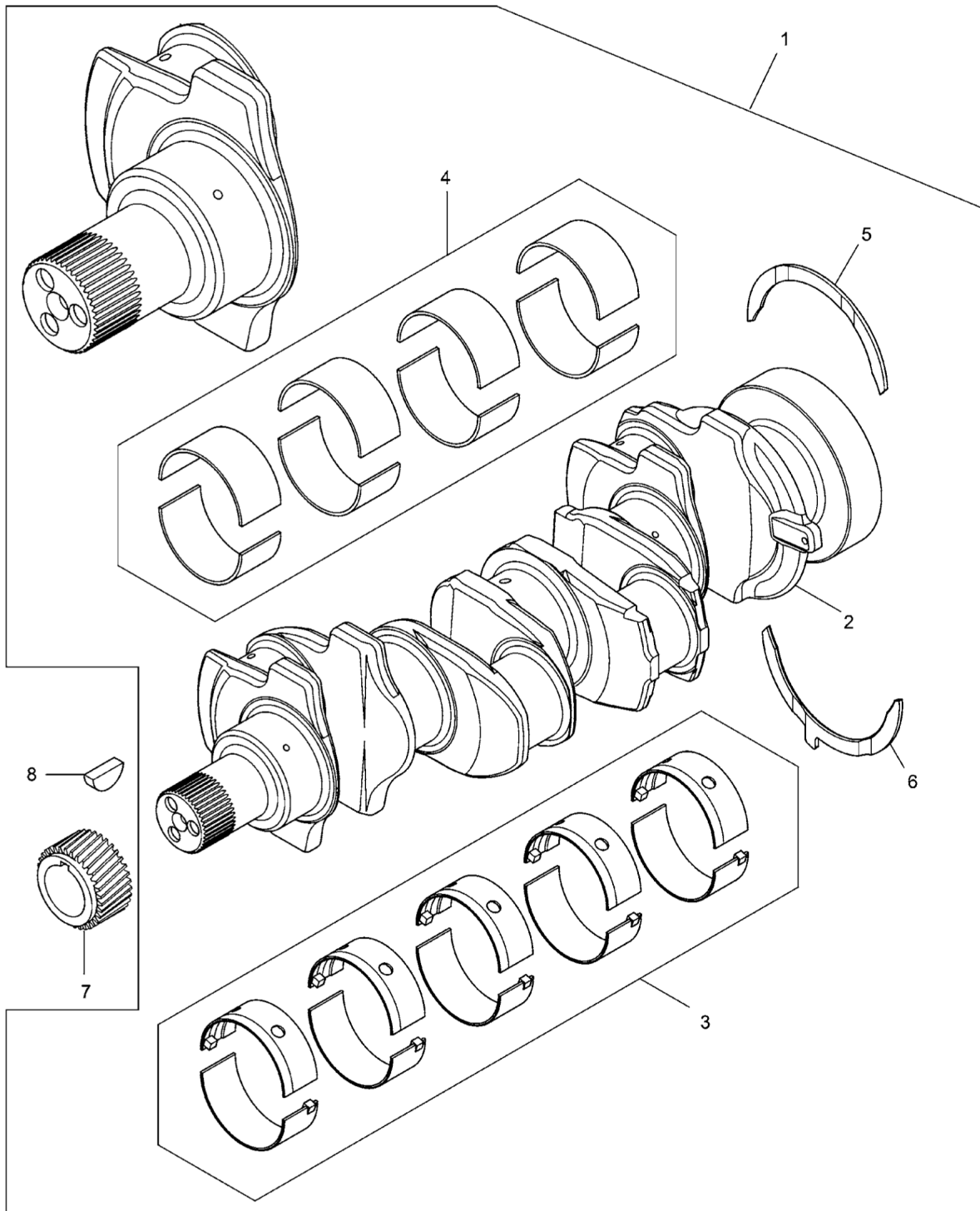
GENERAL & SAFETY



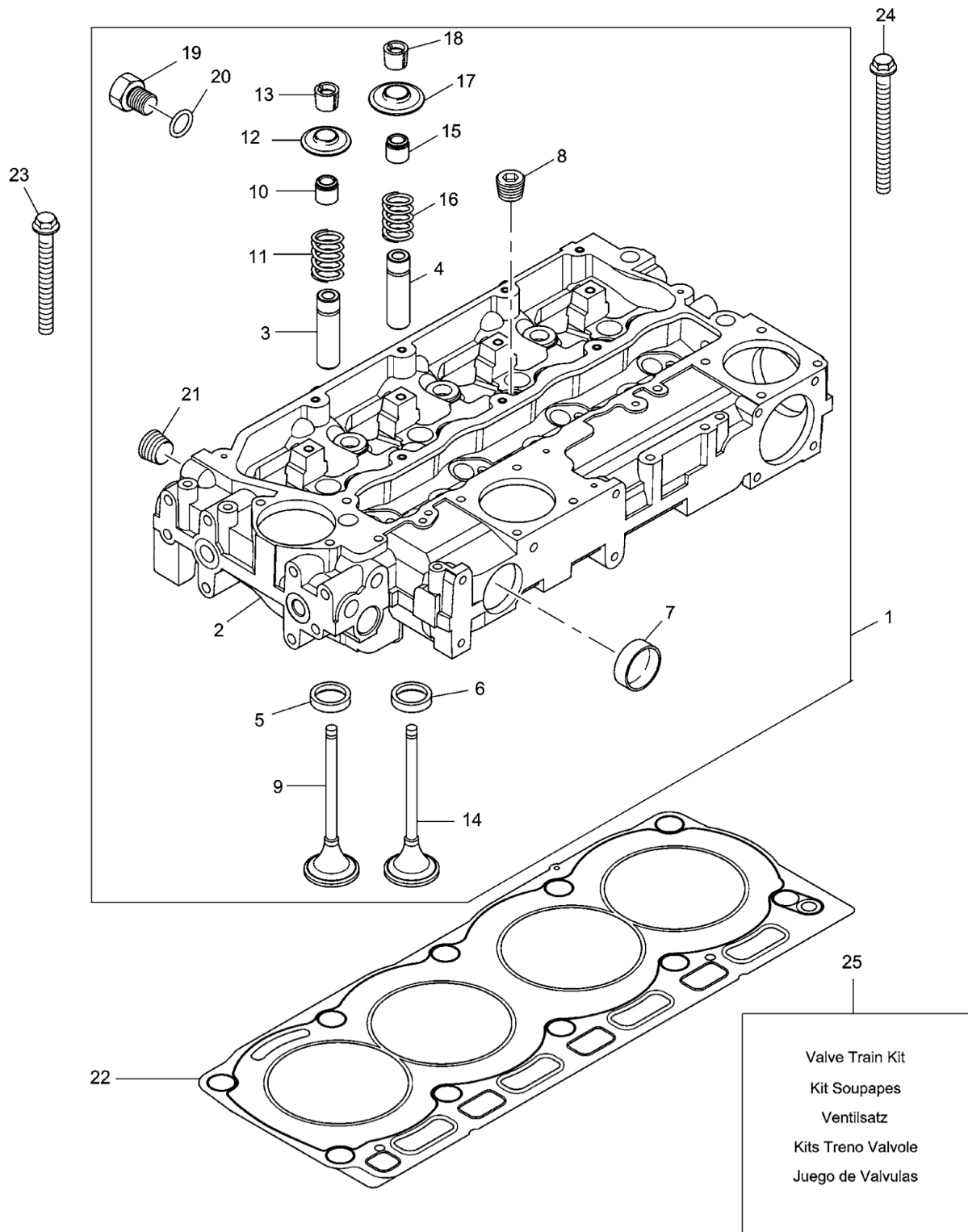
ENGINE INSTALLATION



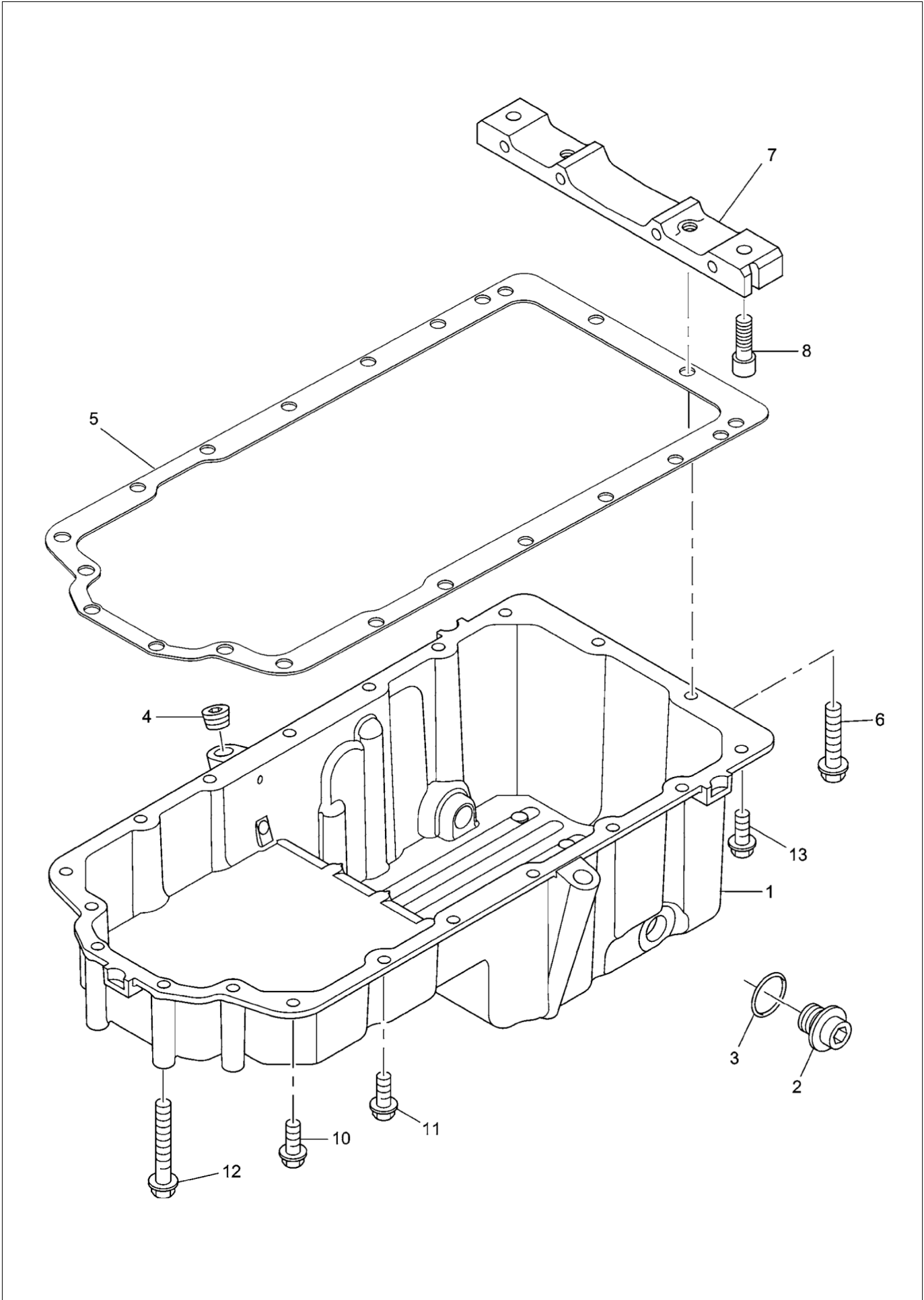
ASSEMBLY PERKINS ENGINE



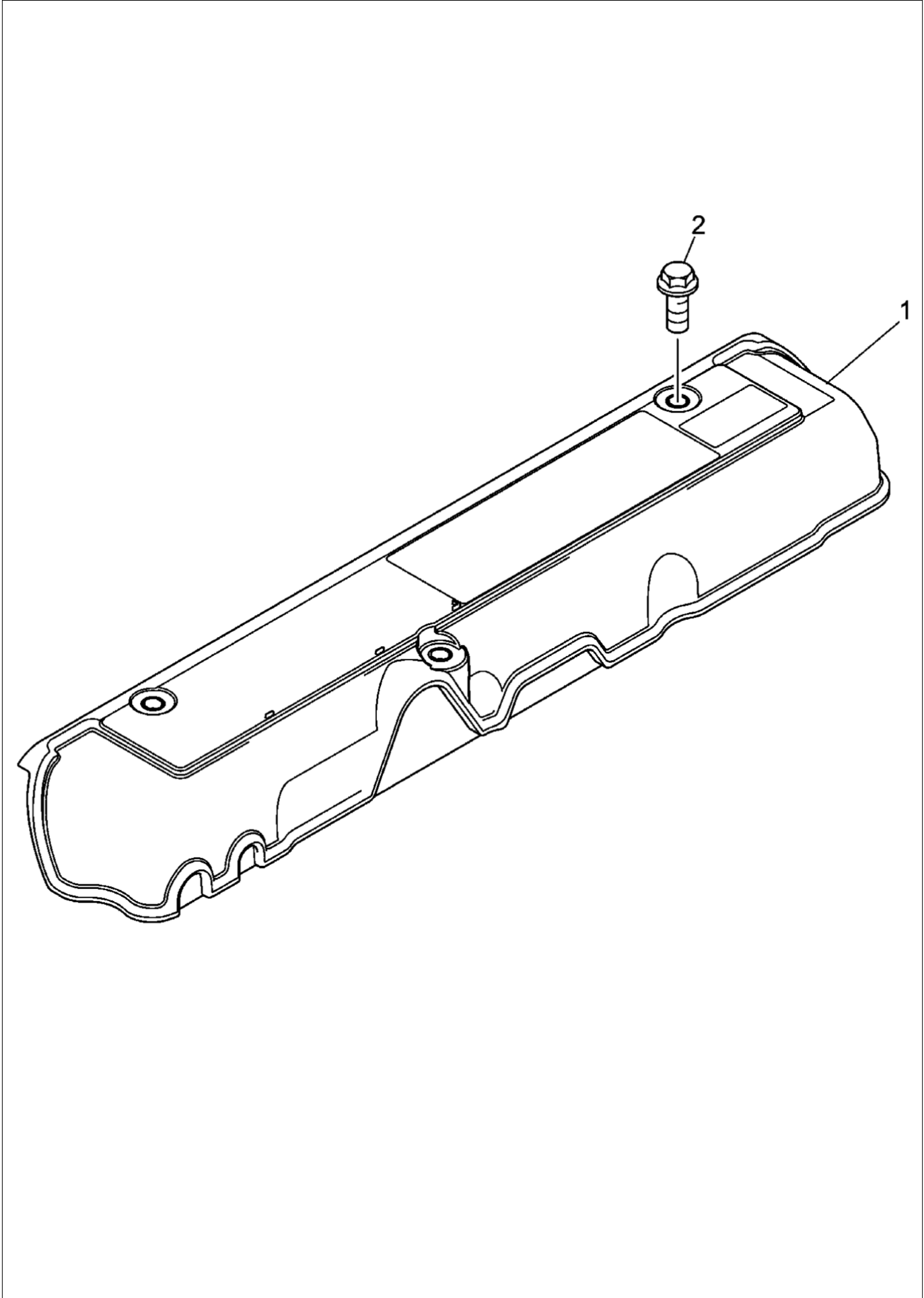
ASSEMBLY PERKINS ENGINE



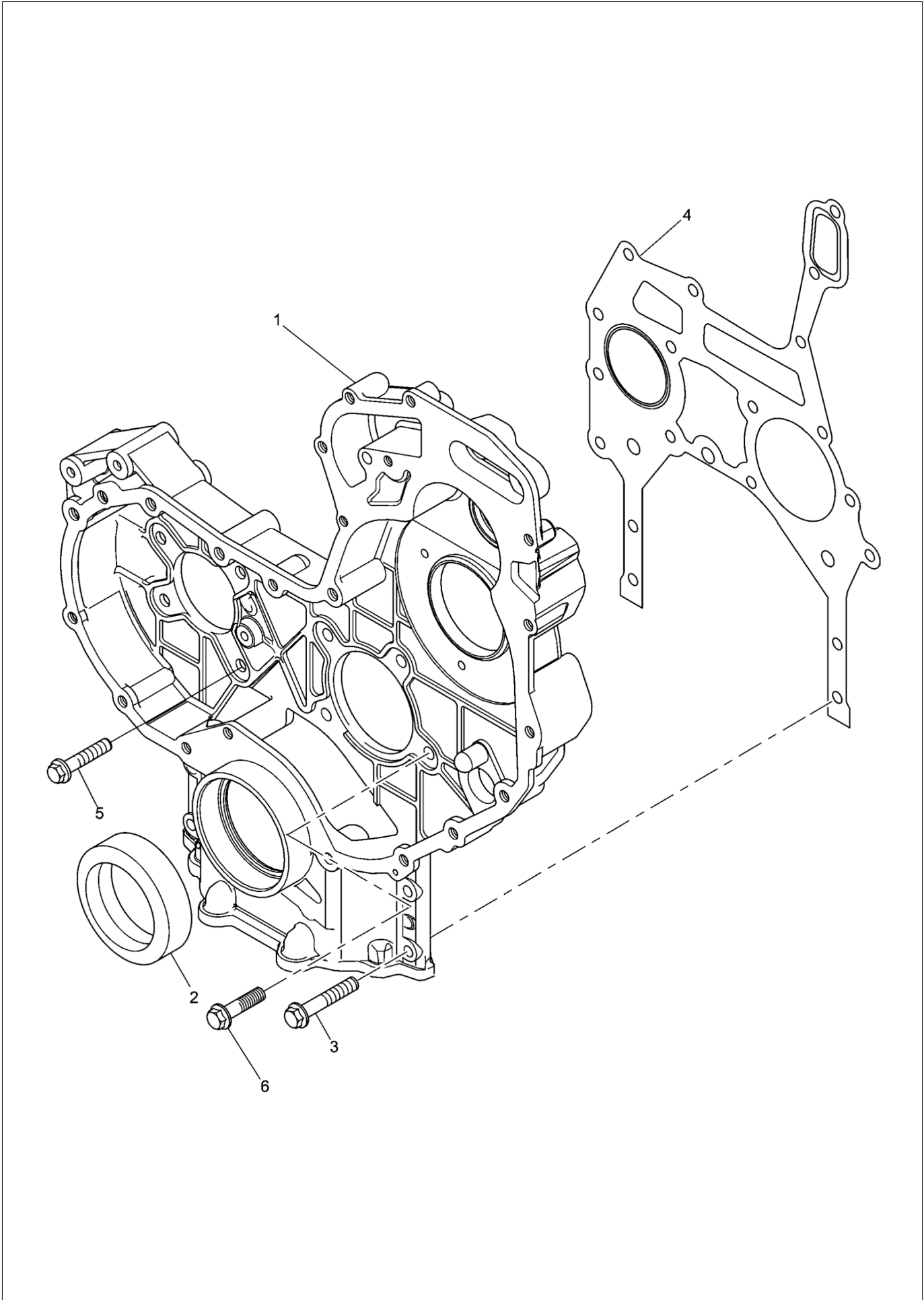
ASSEMBLY PERKINS ENGINE



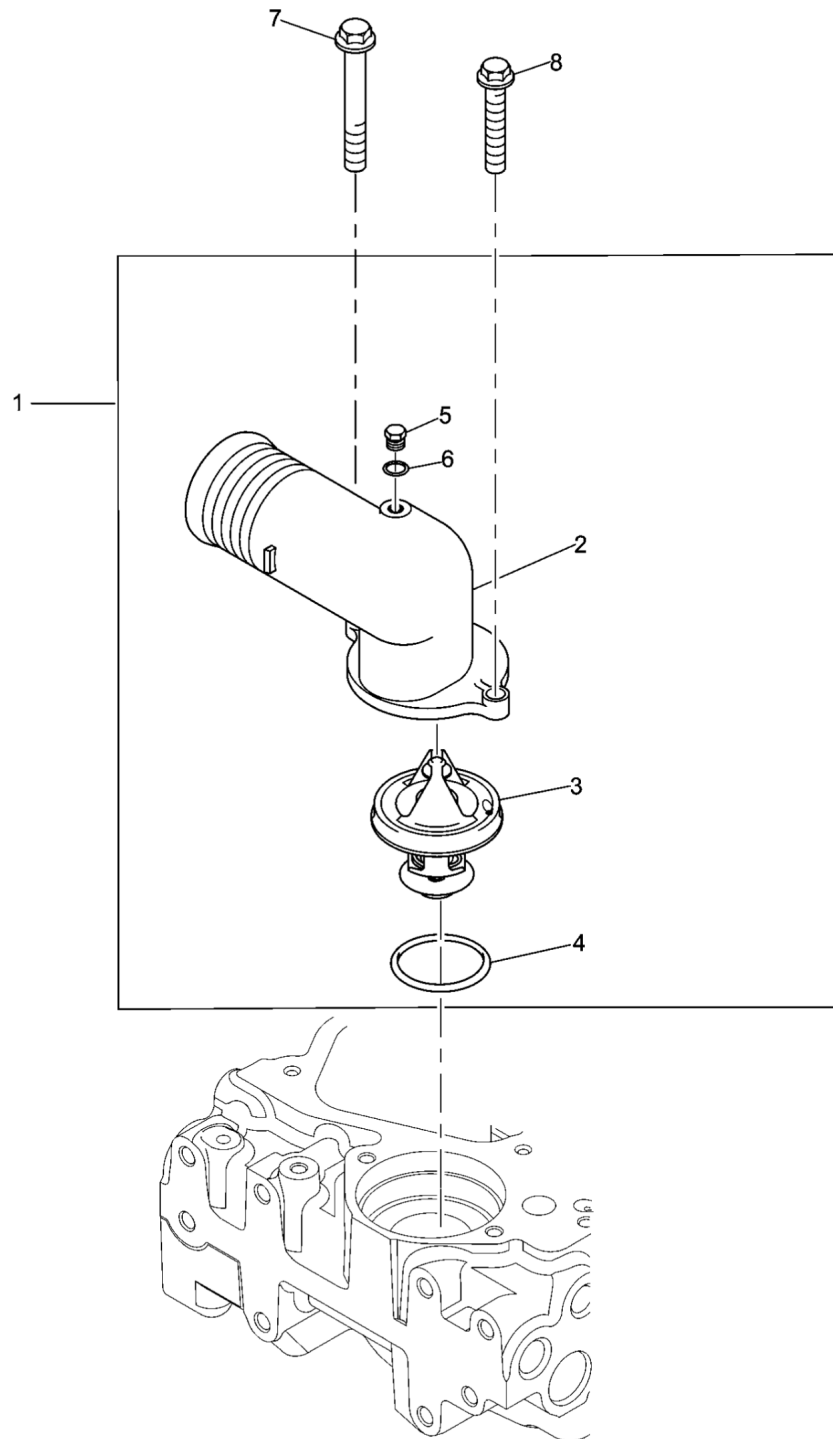
ASSEMBLY PERKINS ENGINE



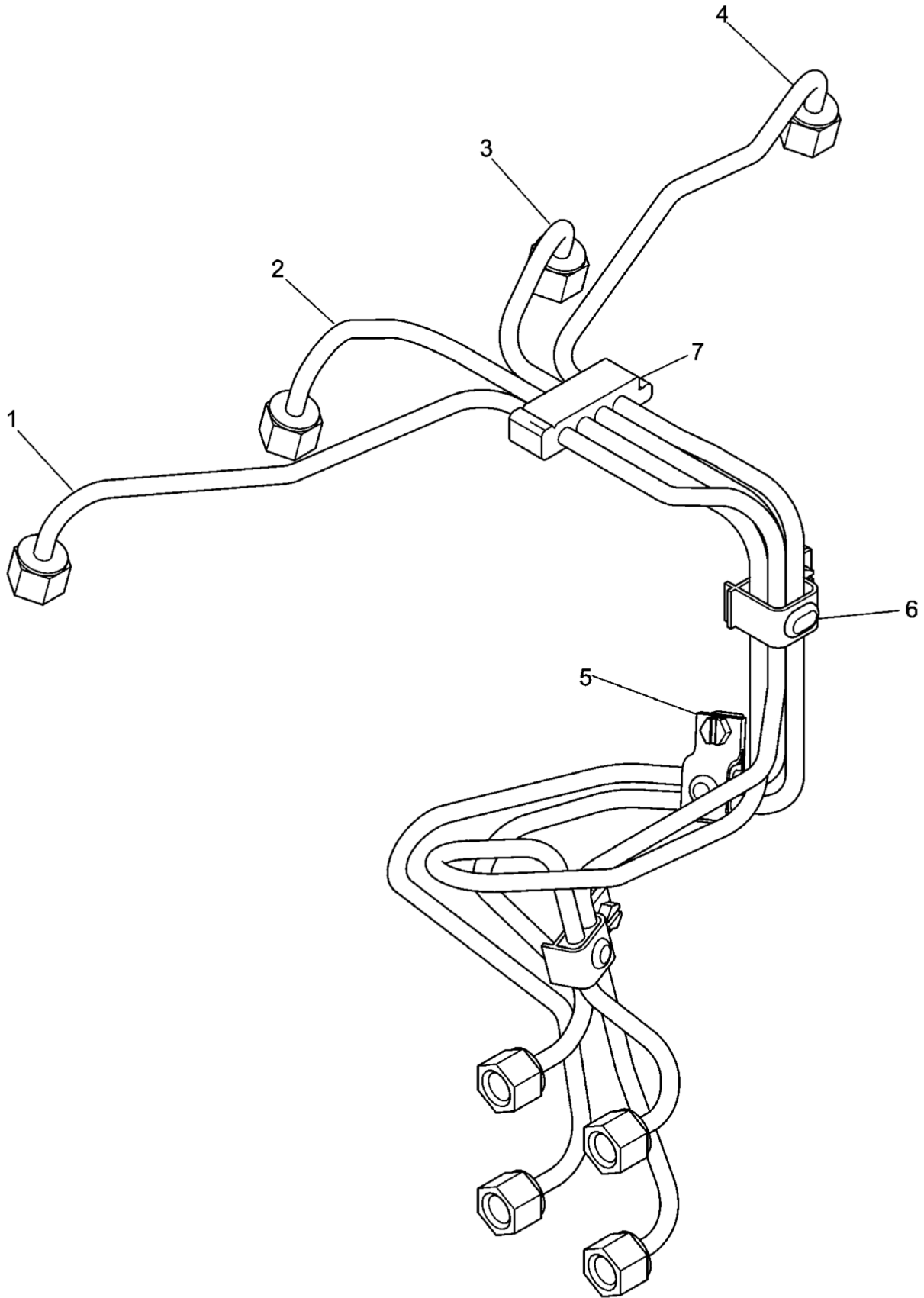
ASSEMBLY PERKINS ENGINE



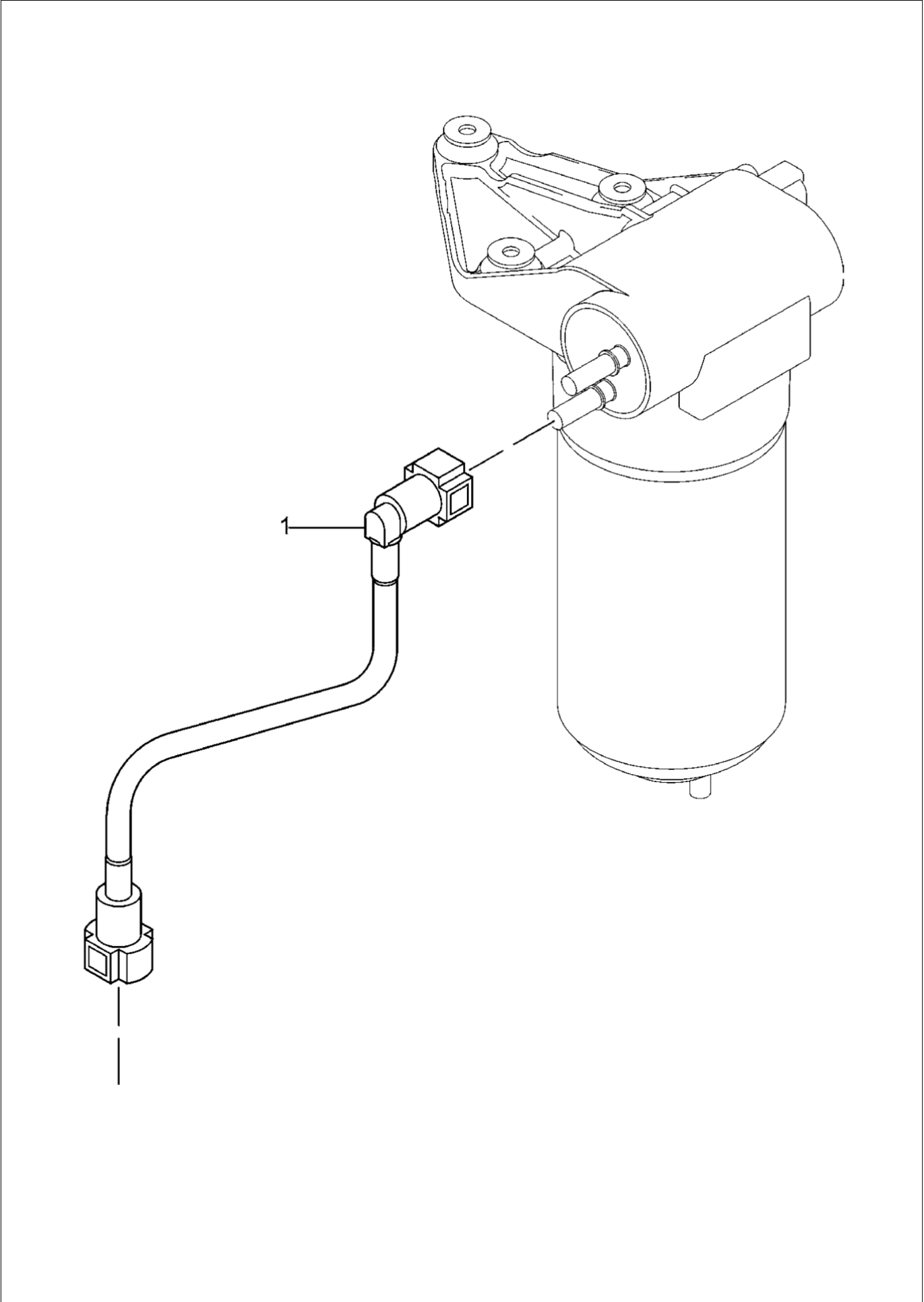
PIPE WORK & CONNECTIONS



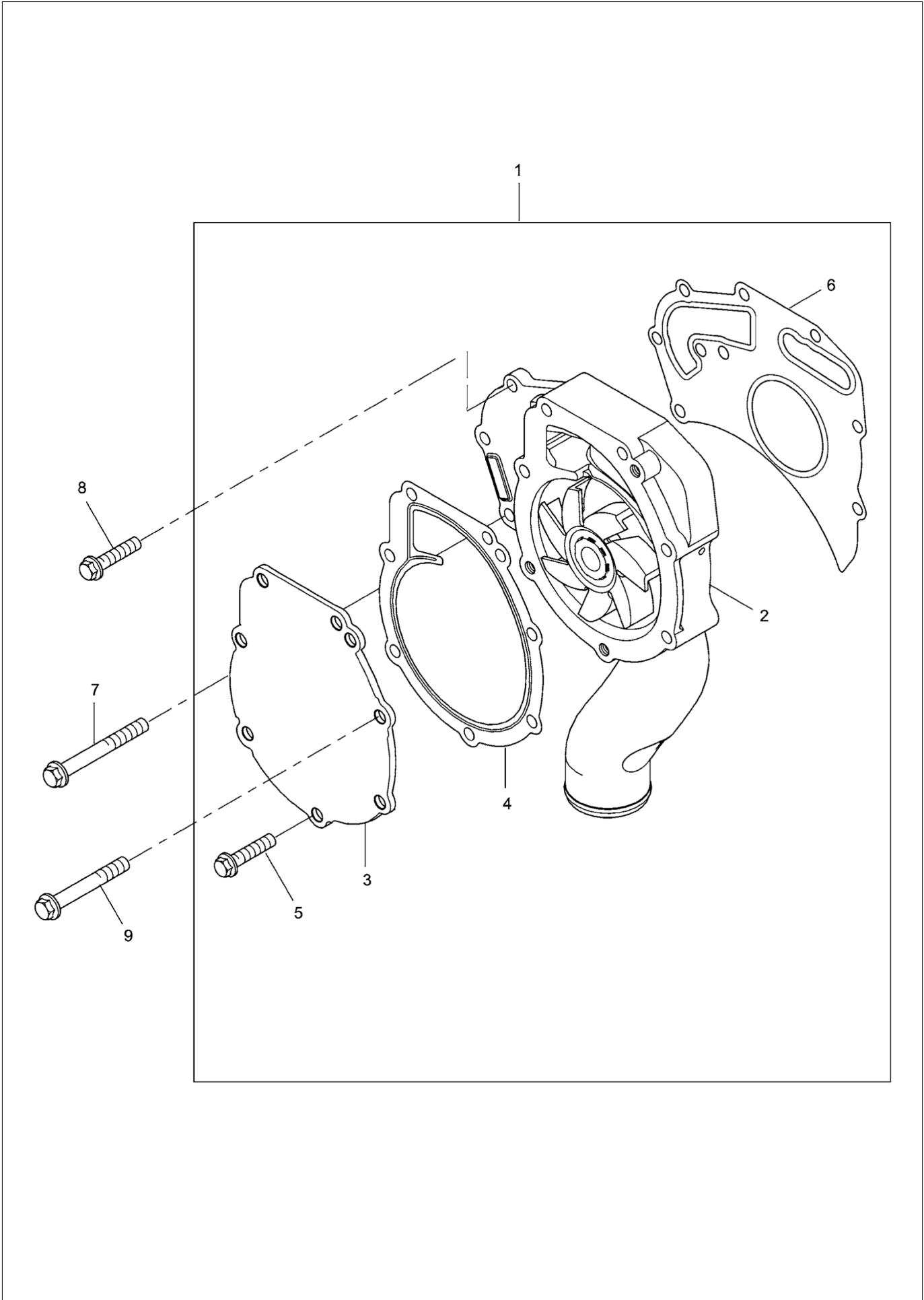
FUEL SYSTEM



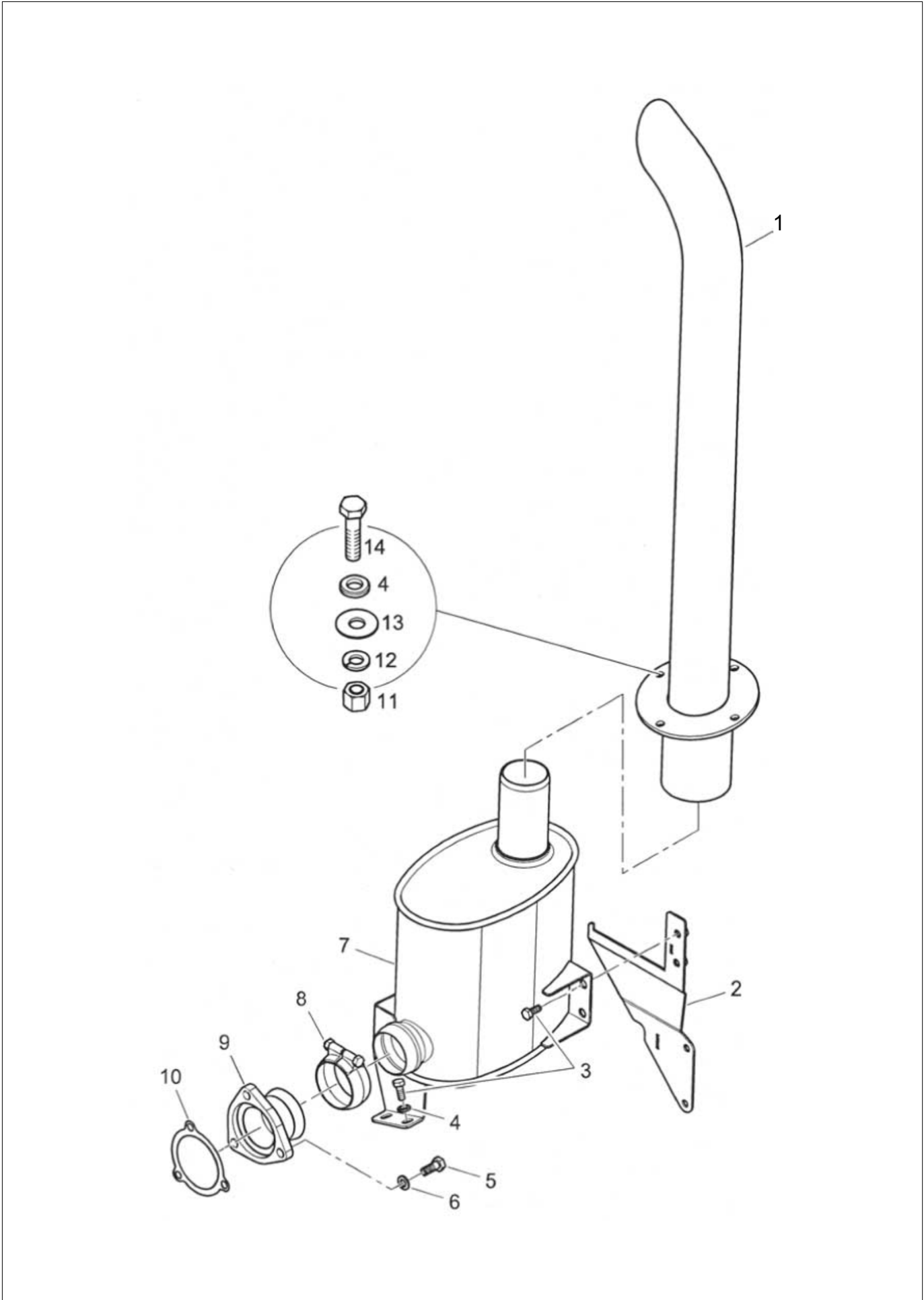
FUEL SYSTEM



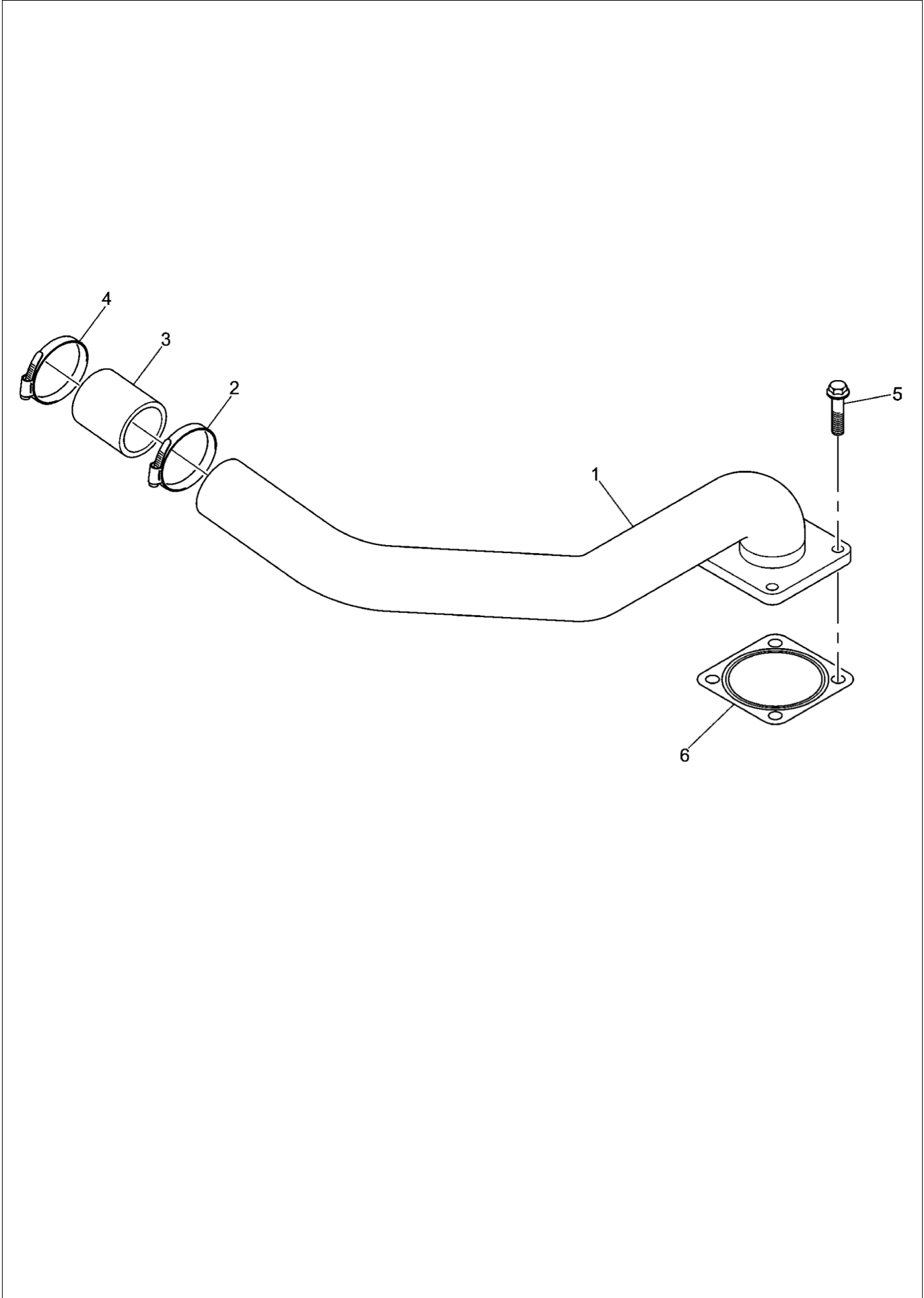
COOLING SYSTEM



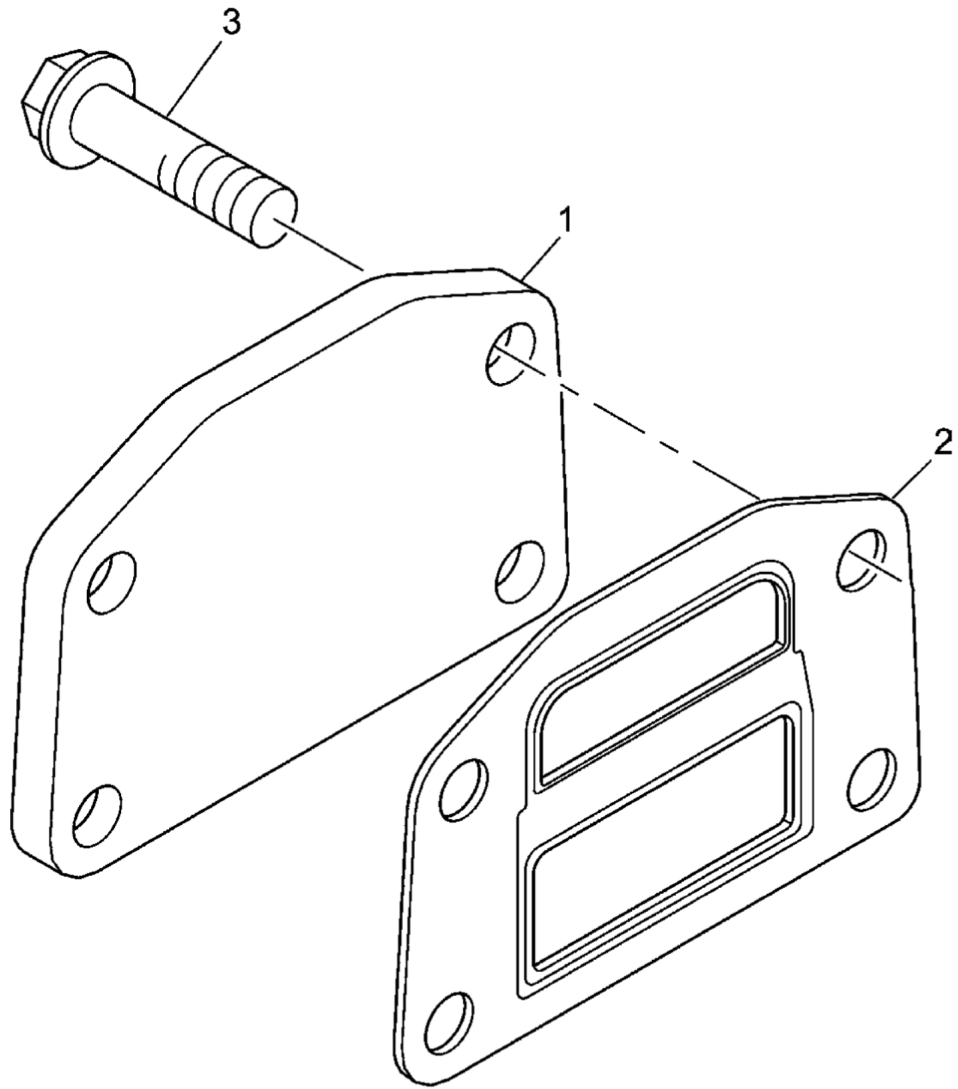
EXHAUST SYSTEM



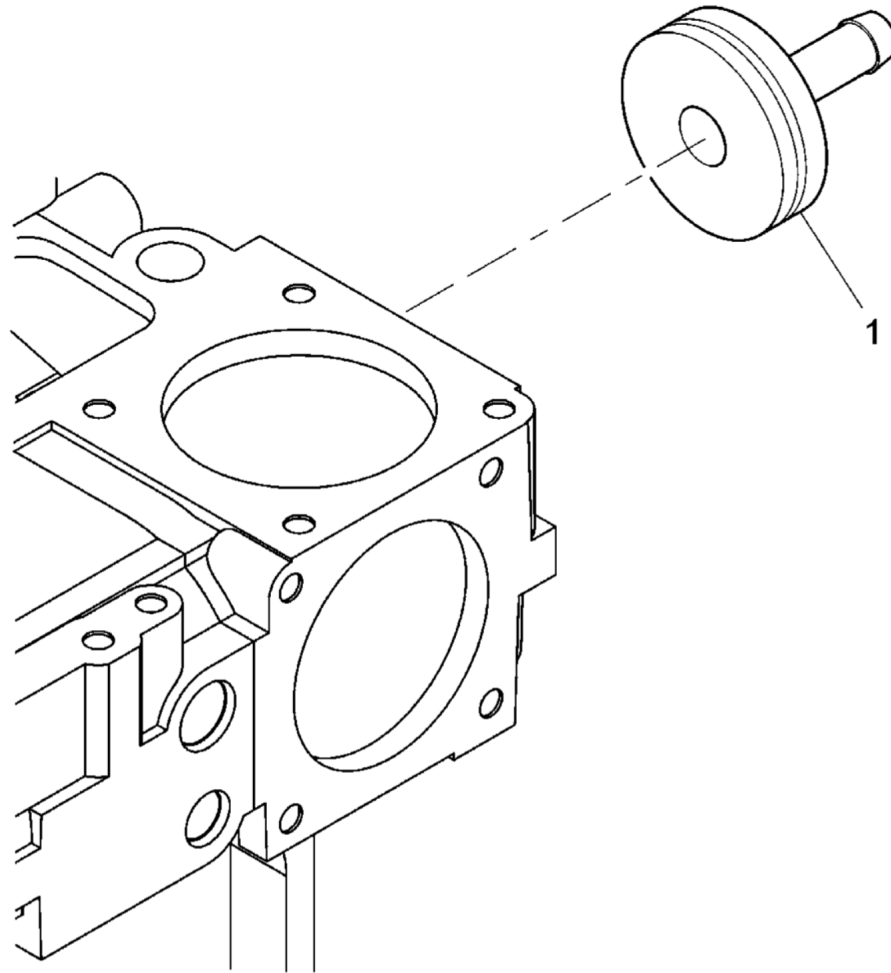
AIR INDUCTION SYSTEM



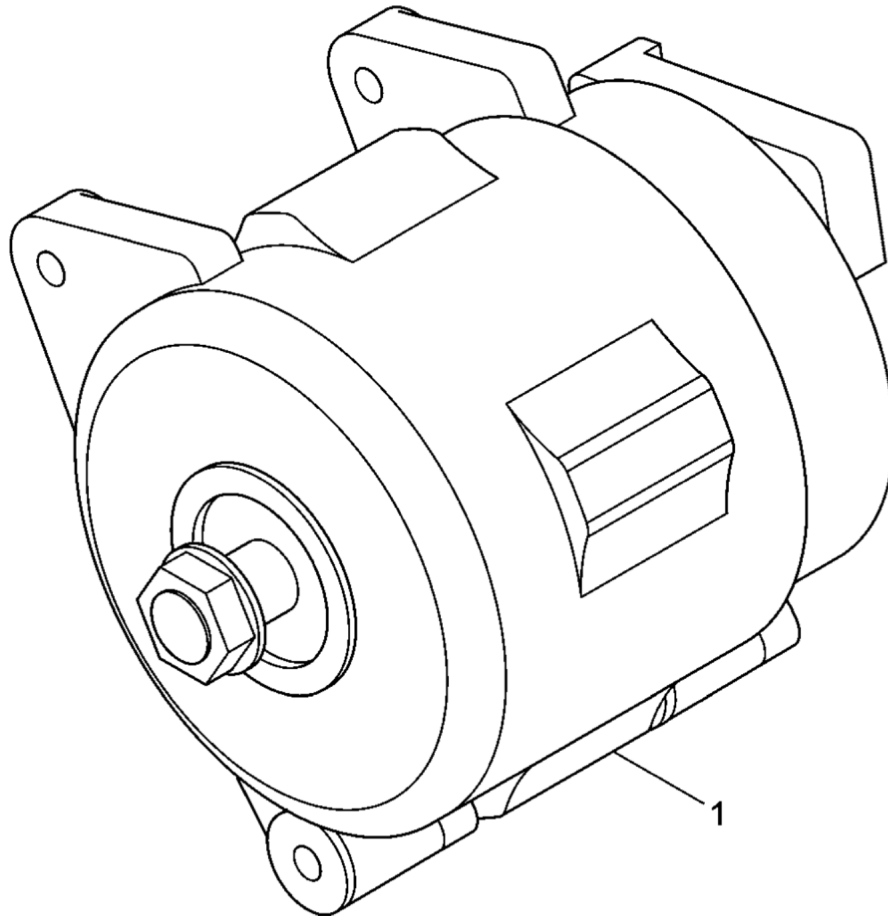
BLANKING PLATES & PLUGS



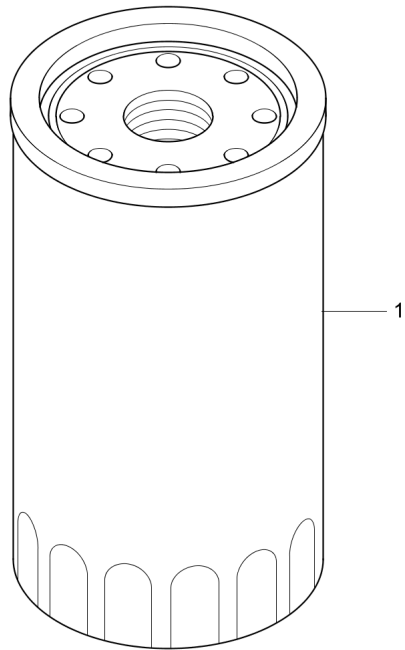
BLANKING PLATES & PLUGS



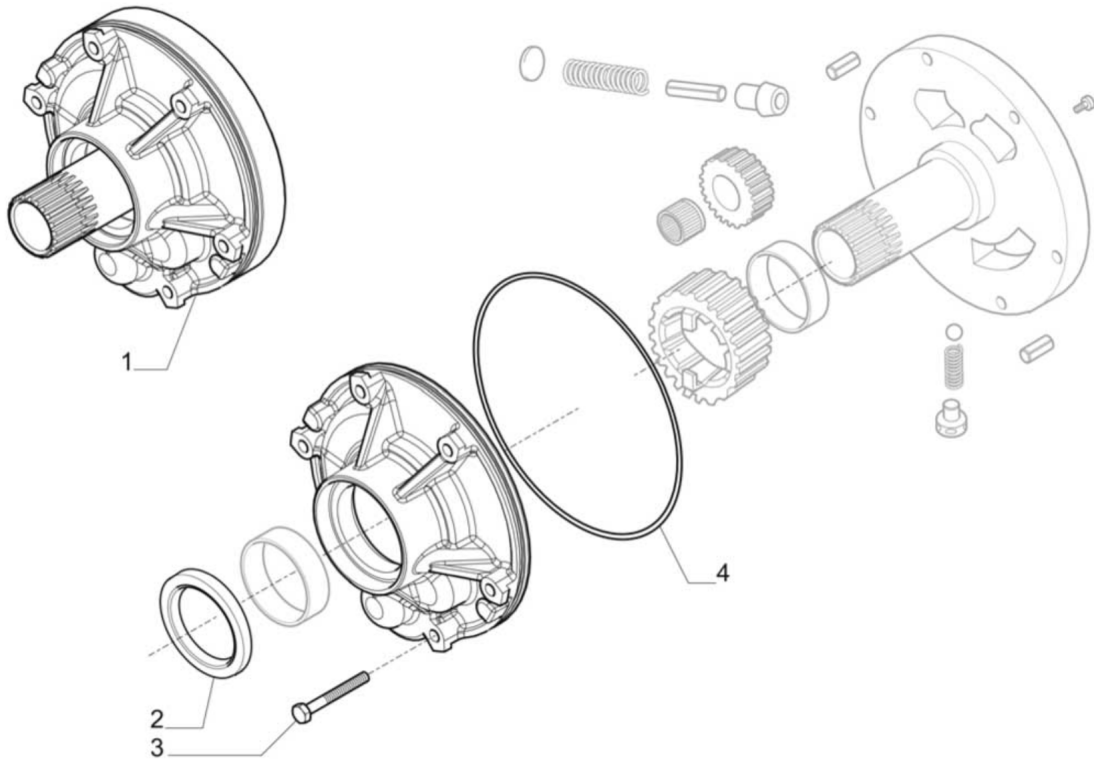
ENGINE ELECTRICALS



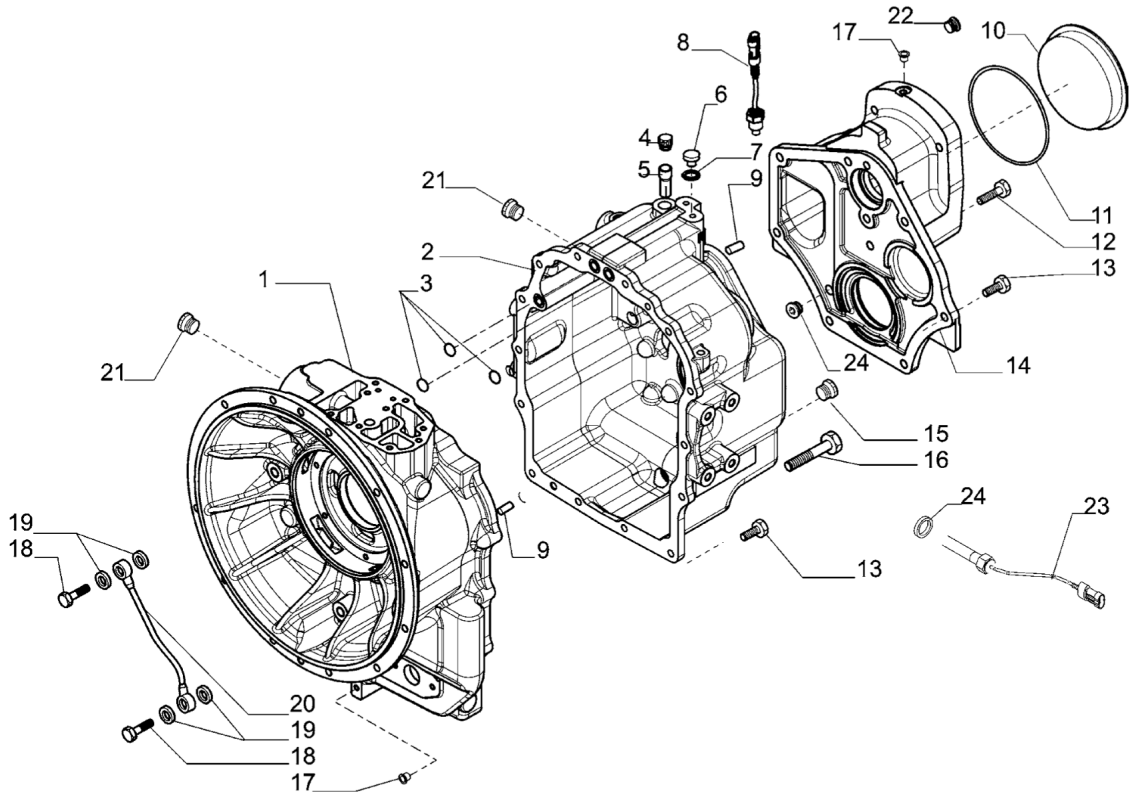
LUBRICATION SYSTEM



20-TRANSMISSION



TRANSMISSION -2WD



Item	Part No.	Name	Characteristics	Qty	Superseded PartNumber	Machine applicability
35	6194483M1	ELECTR-VALVE COIL		2		
35	53112252	ELECTRO-VALVE COIL		2		

Item	Part No.	Name	Characteristics	Qty	Superseded PartNumber	Machine applicability
1	1K0290	CARRIER ASSY LH		1		
2	1K0284	STUD-STUB AXLE CARRIER		2		
7	1K0291	CARRIER ASSY RH		1		
9	1K0283	TAPER ROLLER BEARING DIA 40		2		
10	1K0211	TAPER ROLLER BEARING DIA 50		2		
11	3019968X1	RADIAL OIL SEAL		2		
12	1K0020	SLEEVE		2		
13	1K0288	COVER HUB		2		
14	339721X1	BOLT		6		
15	1440312X1	LOCK WASHER		6		
16	1K0074	HEXAGONAL NUT SLOTTED		2		
17	339037X1	SPLIT PIN		2		
18	1K0286	WASHER-WHEEL HUB		2		
30	1K0041	SHIM WHEEL HUB		UAR		
30	1K0042	SHIM WHEEL HUB		UAR		
30	1K0043	SHIM WHEEL HUB		UAR		
30	1K0044	SHIM WHEEL HUB		UAR		
30	1K0045	SHIM WHEEL HUB		UAR		
30	1K0046	SHIM WHEEL HUB		UAR		
41	1441858X1	GREASE FITTING		4		
42	1441983X1	GREASE NIPPLE		2		
48	1K0289	GASKET WHEEL HUB		2		
50	1K0037	HEX SCREW M18		12		
51	339448X1	CONICAL WASHER		12		

Item	Part No.	Name	Characteristics	Qty	Superseded PartNumber	Machine applicability
1	10X3365	BEVELGEAR/PINION Z=15/37		1		
2	10X3403	SPACER		1		
3	3523082M1	WASHER		2		
4	6193350M1	COLLAPSIBLE SPACER		1		
5	6193361M1	BEARING		1		
6	6193351M1	SHIM 2.50MM		-		
6	6193352M1	SHIM 2.60MM		-		
6	6193353M1	SHIM 2.70MM		-		
6	6193354M1	SHIM 2.80MM		-		
6	6193355M1	SHIM 2.90MM		-		
6	6193356M1	SHIM 3.00MM		-		
6	6193357M1	SHIM 3.10MM		-		
6	6193358M1	SHIM 3.20MM		-		
6	6193359M1	SHIM 3.30MM		-		
6	6193360M1	SHIM 3.40MM		-		
7	3475567M1	BEARING		1		
8	6193363M1	OIL SEAL 65X92X14		1		
9	10X3366	FLANGE		1		
10	10X3367	O.RING		1		
11	10X3368	WASHER		1		
12	10X3369	NUT M30X2		1		

Item	Part No.	Name	Characteristics	Qty	Superseded PartNumber	Machine applicability
1	6193394M9 1	KIT, SELF ADJUSTER		2		
2	6193395M1	BRAKE DISC		4		
3	6193396M1	BRAKE DRIVE PLATE		2		
4	6193397M1	DRIVE PLATE		2		
5	6193399M1	BRAKE DRIVE PLATE		2		
6	6193400M9 1	KIT SELF ADJUSTER		2		
7	6193401M1	BRAKE PISTON		2		
8	6193402M1	O-RING		2		
9	6193403M1	O-RING		2		
10	6193404M1	HALF SHAFT		2		
11	6193420M1	CONNECTING BUSHING		2		
12	6193421M1	SNAP RING D36		2		
13	6193398M1	HUB		2		
14	6193422M1	SHAFT ASSY.		2		

Item	Part No.	Name	Characteristics	Qty	Superseded PartNumber	Machine applicability
1	53102527	LOADER BEAM- ø 60MM-YELLOW		1		
2	1B1136	BUSH		2		
3	3516180M2	GREASE NIPPLE CAP (GENERAL)		5		
4	339608X1	GREASE NIPPLE M10X1		5		
5	1B1143	PIN		2		
6	3501289M1	HEX BOLT M10X110 GR 8.8		4		
7	1440329X1	M10 NYLOC NUT		8		
8	1B1144	THRUST WASHER		2		
9	1B1145	THRUST WASHER		2		
10	53101383	WASHER		2		
11	339613X1	HEX BOLT M16X25 GRADE 8.8		3		
12	1441736X1	PIN SPIROL 5-26		4		
13	1B1092	PIN LOADER TO LOADER CYL (LH)		1		
13	1B1093	PIN LOADER TO LOADR CYL (RH)		1		
14	3516014M1	BOLT (SPECIAL) COMPOSITE [DIM=90]		4		
15	53108845	BUCKET LIFT CYLINDER - BLACK		2		
16	3520032M1	BUSH		2		
17	3522862M2	BUSH		2		
18	1B1070	PIN LOADER		2		
19	53101010	DECAL-BOOM DIPPER, LOADER ARM-BLACK		2		
20	1B1112	PIN		2		
21	53109630	SHIM (6 MM THICK)		UAR		
21	53109631	SHIM (5 MM THICK)		UAR		
21	53109632	SHIM (4 MM THICK)		UAR		
21	53109633	SHIM (3 MM THICK)		UAR		

CLICK HERE TO **DOWNLOAD** THE COMPLETE MANUAL

- Thank you very much for reading the preview of the manual.
- You can download the complete manual from: www.heydownloads.com by clicking the link below



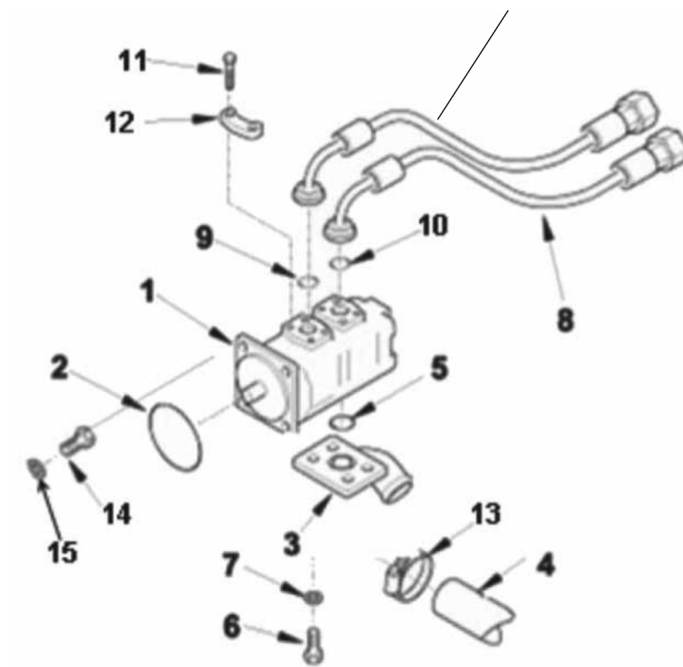
- Please note: If there is no response to CLICKING the link, please download this PDF first and then click on it.

CLICK HERE TO **DOWNLOAD** THE COMPLETE MANUAL

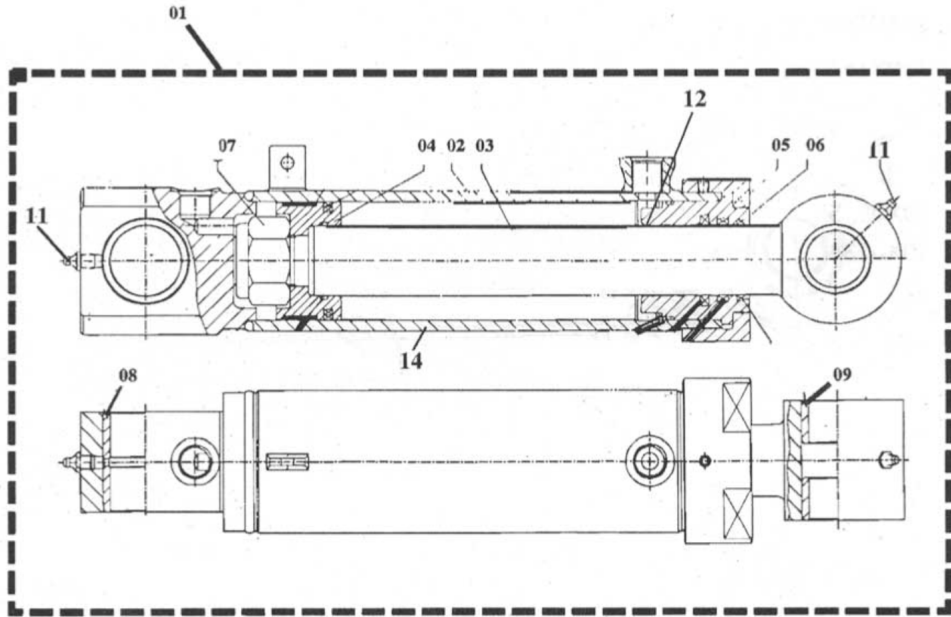
Item	Part No.	Name	Characteristics	Qty	Superseded PartNumber	Machine applicability
1	1C0303	BUCKET W/A 1CuM.		1		
2	1C0081	BUCKET BLADE		1		
3	3520033M1	BUSHING		2		
4	1C0189	TOOTH		7		
5	1C0135	PLOW BOLT M16		14		
6	1442739X1	M16 NYLOC NUT		14		
7	10X3624	TOOTH KIT-LOADER BUCKET		1		

Item	Part No.	Name	Characteristics	Qty	Superseded PartNumber	Machine applicability
1	53102605	PIVOT LINK W/A-YELLOW		2		
2	1441106X1	BOLT M10 - 100 Z5S		4		
3	1440329X1	M10 NYLOC NUT		4		
4	1B1069	PIN PIVOT LINK		2		
5	53109563	BUCKET LINK-YELLOW		1		
6	1B0711	BUSH		2		
7	339608X1	GREASE NIPPLE M10X1		3		
8	3516180M2	GREASE NIPPLE CAP (GENERAL)		3		
9	3501790M1	WASHER		2		
10	3516522M91	SAFETY LINCH		2		
11	1B1071	PIN W/ASSY (DIGGER BUCKETS)		2		
12	1B0019	SHIM 1MM		UAR		
13	1B0020	SHIM 2MM		UAR		
14	1B0021	SHIM 3MM		UAR		
18	1B0711	BUSH		2		

70-HYDRAULICS



Item	Part No.	Name	Characteristics	Qty	Superseded PartNumber	Machine applicability
36	10X1463	SPOOL CAP		1		
37	10X1464	CAP ALLEN BOLT		4		
38	10X1439	UNLOADER RELIEF VALVE		1		
39	10X1432	O-RING FOR LS RELIEF VALVE		1		
40	10X1468	UNLOADER SPOOL		1		
41	10X1467	SPRING FOR UNLOADER SPOOL		1		
42	10X1469	CARRY OVER PLUG		1		
43	10X1470	PILOT ARV O RING KIT		1		
45	10X1876	CHECK VALVE		1		
47	10X1419	H SEAL KIT FOR BETWEEN SECTIONS/SDS180		2		



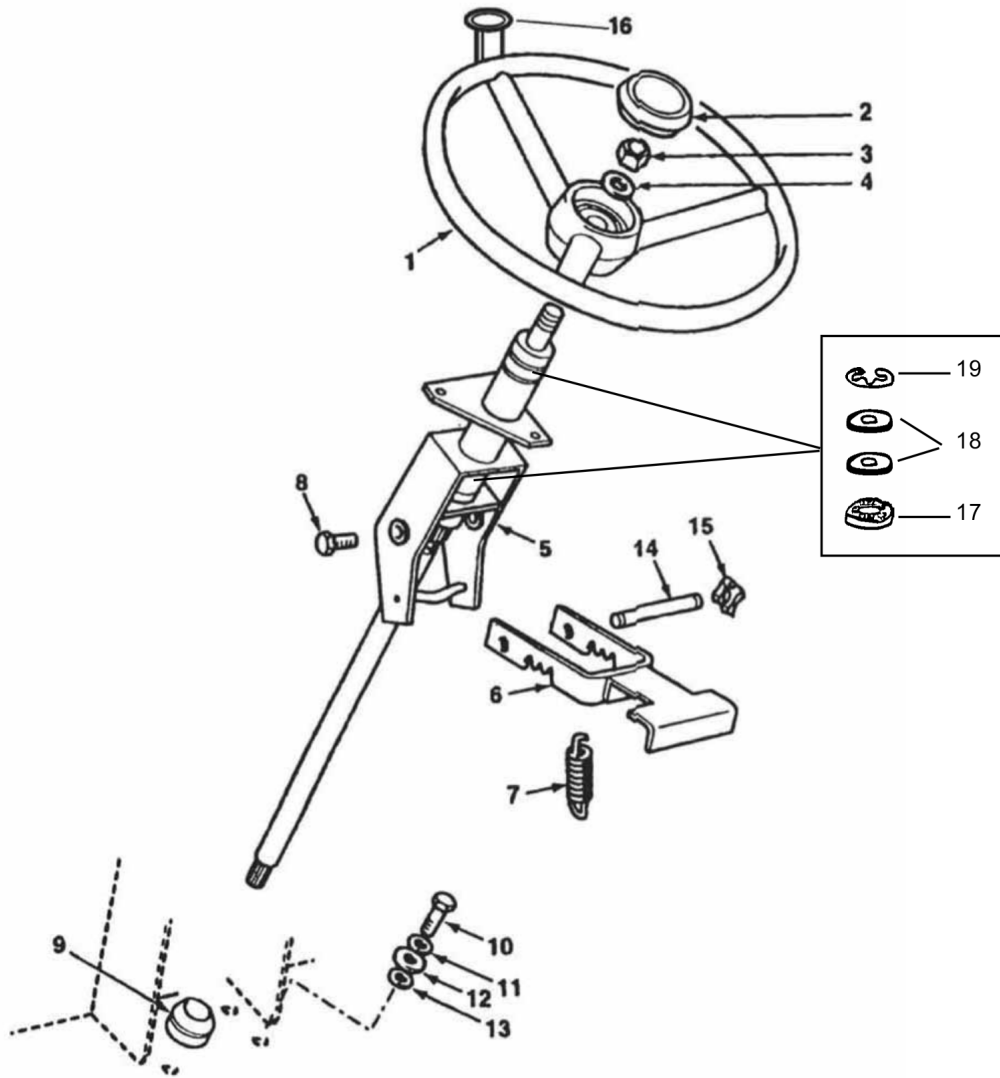
Item	Part No.	Name	Characteristics	Qty	Superseded PartNumber	Machine applicability
1	1B0467	LEVER W/A - 2 SPOOL		1		
2	3522621M5	KNOB BASE		1		
3	3522669M3	KNOB TOP DIGG CNT (Y)		1		
4	3019531X1	PIN ROLL		2		
5	3516886M1	SCREW		2		
6	1J0426	CONSOLE		1		
7	6101591M1	RIVET		3		
8	3516856M3	PLATE - GAITER LOADER CONTROLS		1		
9	3519697M1	BOOT		1		
10	3521303M3	FIR TREE BUTTON		6		
11	354742X1	HEX BOLT M10x30 GRADE 8.8		2		
12	359369X1	WASHER LOCK		2		
13	3521075M9 1	YOKE ASSY.		1		
14	1B0291	LOADER CONTROL COLUMN ASSY.		1		

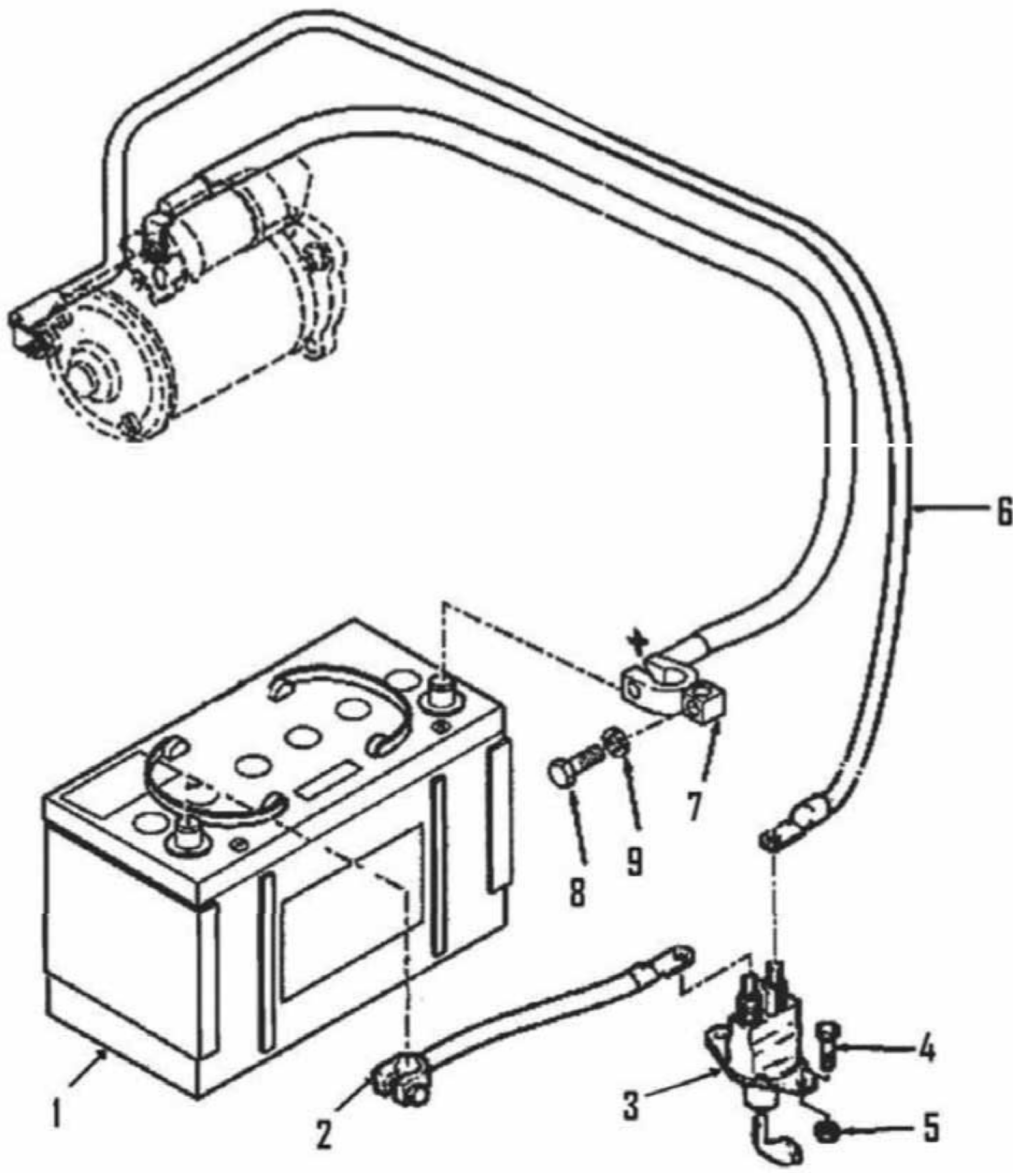
Item	Part No.	Name	Characteristics	Qty	Superseded PartNumber	Machine applicability
1	53108842	BOOM CYLINDER - BLACK		1		
2	53101277	TUBE S/A		1		
3	53101278	PISTON ROD S/A		1		
4	10X0180	Piston		1		
5	53101279	H.E. COVER		1		
6	10X0160	Bush		4		
7	10X0183	Cushion Ring		1		
8	10X0184	Set Screw		1		
9	10X0185	Grease Nipple		1		
10	10X0230	Bimetal Bush		1		
11	10X0197	Seal Kit		1		

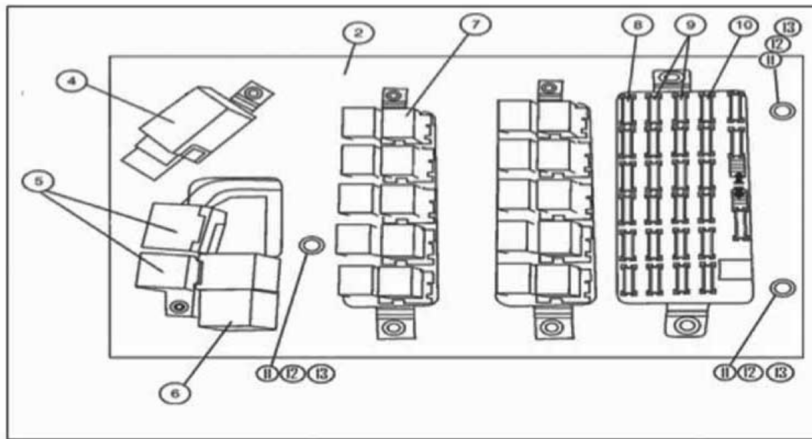
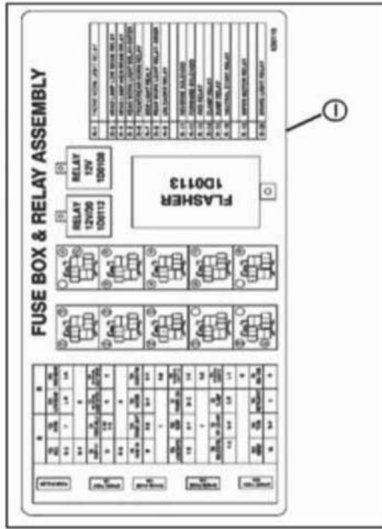
Item	Part No.	Name	Characteristics	Qty	Superseded PartNumber	Machine applicability
1	1H0165	ADAPTOR		1		
2	1H0254	BOOM RESTRICTOR ASSY		1		
3	1B0541	PLATE ASSY - SPLIT HOSES		1		
4	1H0286	HOSE ASSY FR. BOOM HD		1		
5	1H0284	HOSE ASSY FR. BOOM HD		1		
6	53109927	HOSE ASSY RR. BOOM HD		1		
7	53109928	HOSE ASSY RR. BOOM HD		1		
8	390972X1	WASHER M8		2		
9	6102130M1	CLAMP PLATE BASE OF BOOM		1		
10	6102122M1	CLAMP		1		
11	6102128M1	PAD		1		
12	6102126M1	CLAMP		2		
13	6102145M1	PAD		2		
14	6102124M1	PLATE . TOP .		2		
15	53108842	BOOM CYLINDER - BLACK		1		
17	358735X1	CONNECTOR		1		
18	835024M1	O-RING		1		
19	6100855M9 1	TUBE ASSY BOOM CYL		1		
20	6100883M1	BRACKET BOOM CYL.		1		
21	339124X1	HEX BOLT M8X1.25, L16, G8.8		2		
22	6101735M9 2	HOSE ASSY BOOM CYLINDER ROD		1		
23	6101736M9 2	HOSE ASSY BOOM CYLINDER HEAD		1		
24	835007M91	ELBOW 7/8		1		
26	835024M1	O-RING		1		
27	3519378X1	WASHER		6		
28	355574X1	LOCK NUT (7/8" UNF)		2		
29	394367X1	NUT		4		
30	3019070X1	STUD		2		
31	1B0396	STUD		2		
32	390972X1	WASHER M8		2		

Item	Part No.	Name	Characteristics	Qty	Superseded PartNumber	Machine applicability
1	1H0702	6 SPOOL VALVE BLOCK (WALVOIL)-NEW GEN		1		
2	10X1384	INLET COVER		1		
3	53101802	SLEW SECTION ASSEMBLY		1		
4	10X2889	BOOM SECTION		1		
5	10X2890	STABILIZER SECTION		2		
6	10X2891	DIPPER SECTION		1		
7	10X2892	BUCKET SECTION		1		
8	10X1390	OUTLET COVER		1		
9	10X1398	TIE ROD KIT		4		
10	10X2894	ARV		3		
11	10X1366	LOAD DROP CHECK VALVE		6		
12	10X1433	O-RING FOR LOAD DROP CHECK VALVE		6		
13	10X2893	ARV		1		
14	10X1423	PLUG P3T/SD16-SD25-FPM (ARV PLUG)		4		
15	10X1424	SEAL KIT O-RING FOR ARV (P3T) PLUG		4		
16	10X1431	O-RING		12		
17	10X1399	CONTROL KIT		6		
18	10X2886	ARV-310 BAR		1		
19	10X2888	ARV-240 BAR		1		
20	53101801	ARV 240 BAR		1		
21	10X1422	SEAL KIT FOR U TYPE VALVE XCAR316114		1		
22	10X1393	SIDE SHIFT SOLENIOD VALVE		1		
23	10X1392	CHECK VALVE FOR SIDE SHIFT		1		
25	10X1394	ANTI CAVITATION VALVE		1		
26	10X1425	O-RING FOR INLET (F) ANTI CAVIATION PLUG		1		
27	10X1365	MAECHANICAL DUST PROOF COVER FOR SPOOL		6		
28	10X1453	HYDRAULIC CLAMP SOLENOID COIL		1		
29	10X1419	H SEAL KIT FOR BETWEEN SECTIONS/SDS180		7		
30	10X3429	SPOOL VALVE-SWING		1		
31	10X1395	BOOM / DIPPER / BUCKET SPOOL		3		
32	10X1460	SPOOL SEAL		12		
33	10X1470	PILOT ARV O RING KIT		1		
34	10X1682	PLUG (INLET PLATE)		1		

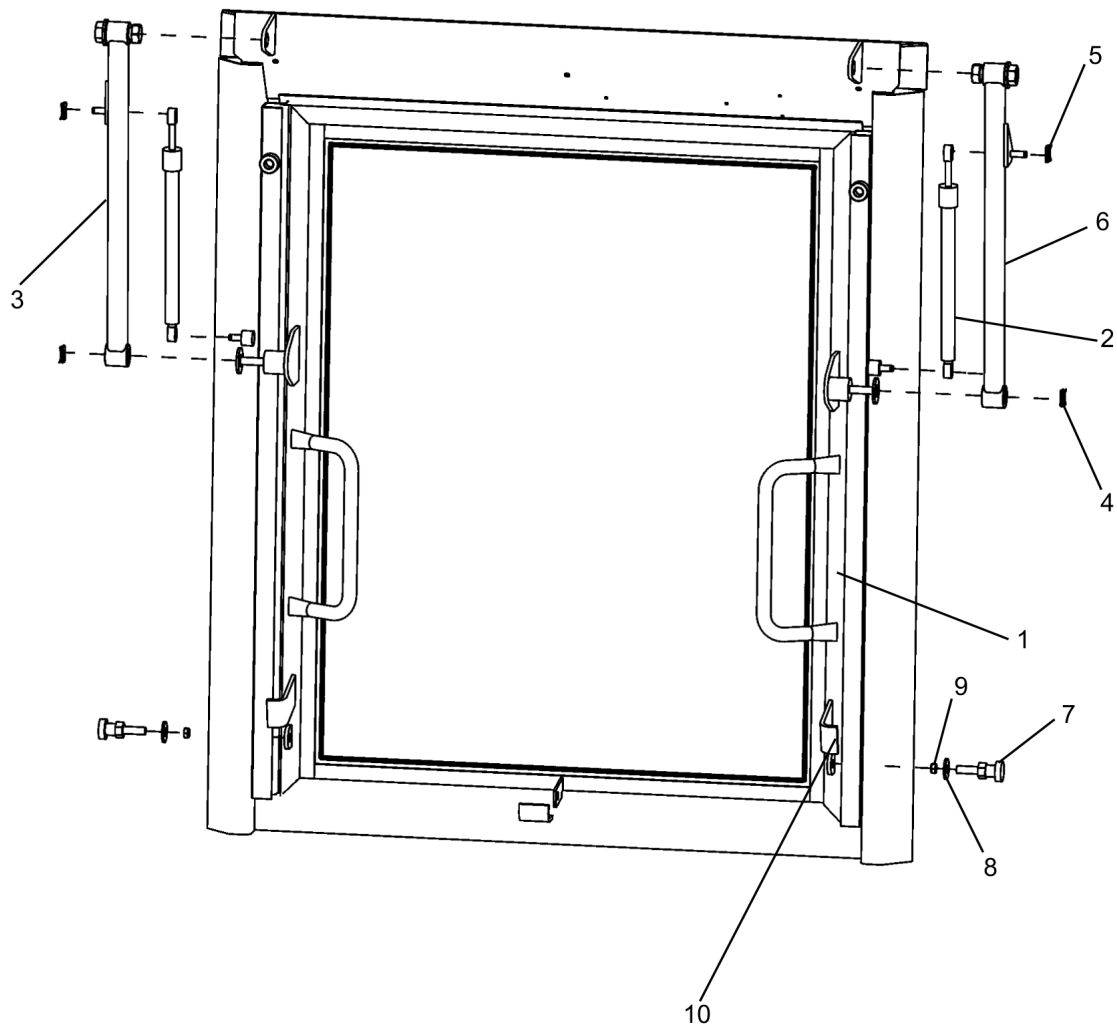
STEERING SYSTEM



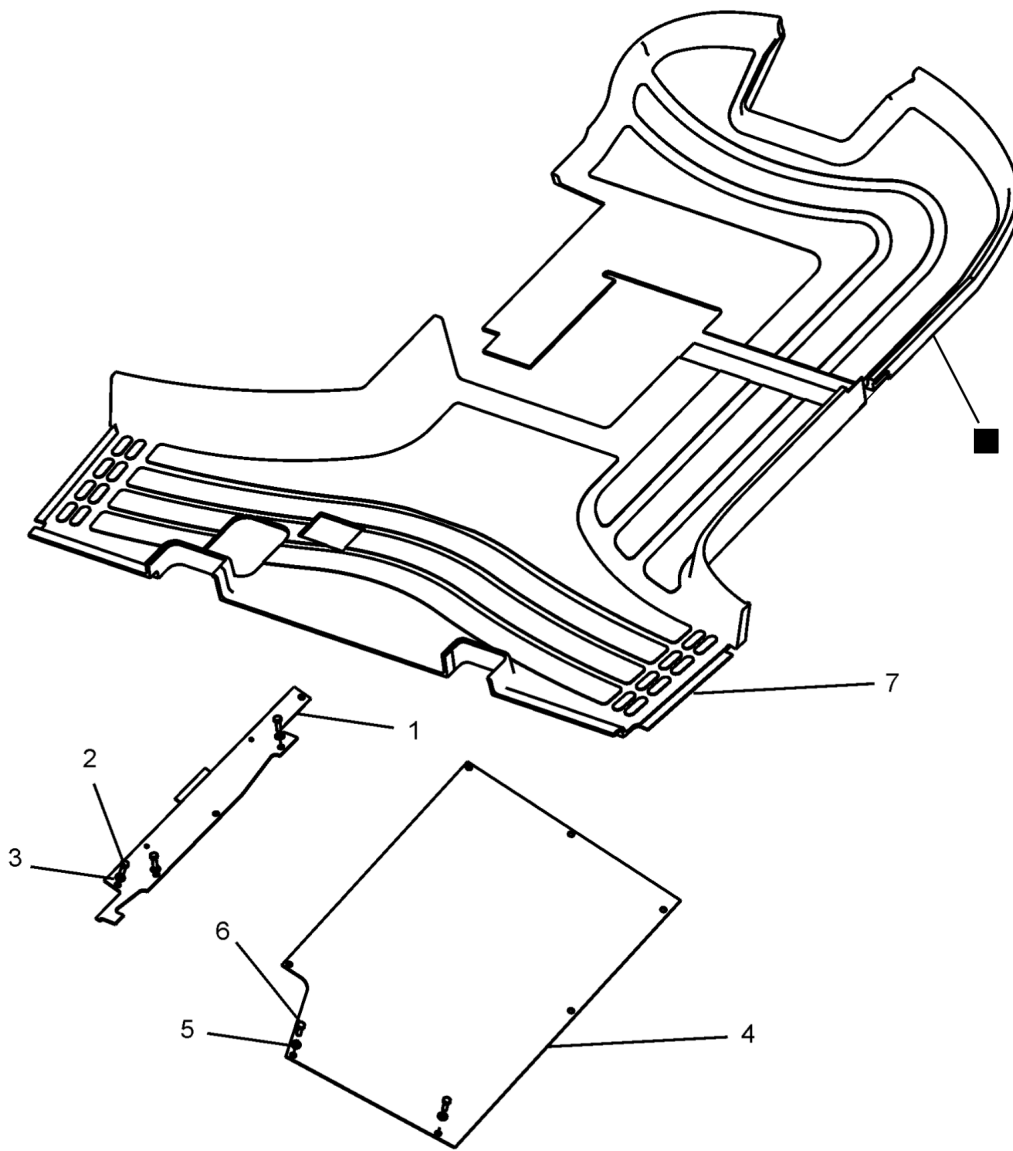


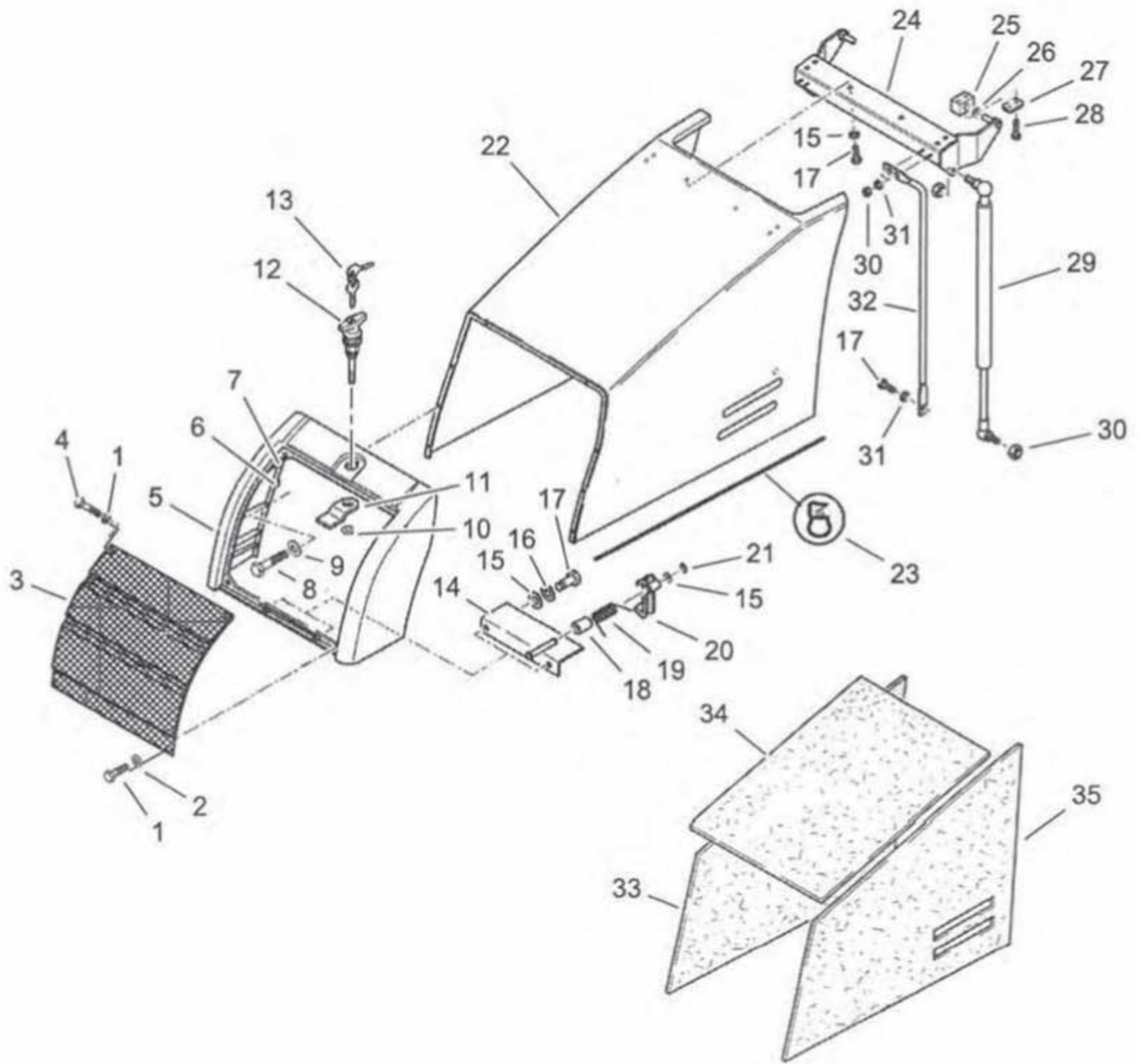


85-OPERATOR STATION



85-OPERATOR STATION





Item	Part No.	Name	Characteristics	Qty	Superseded PartNumber	Machine applicability
1	1440478X1	RETAINING RING EXT.		4		
2	1B1074	PIN STABILIZER CYLINDER		2		
3	3521279M2	SPACER		4		
4	6112163M91	INNER LEG WA		2		
4	53109613	INNER LEG WA		2		
5	3516684M2	WEAR PAD -YELLOW 4.5 MM		4		
5	3521199M3	WEAR PAD -BLACK 5.0 MM		4		
5	3517077M1	WEAR PAD-GREY 5.5 MM		4		
5	3518965M1	WEAR PAD -NATURAL 6.0 MM		4		
5	3518936M1	WEAR PAD -RED 6.5 MM		4		
5	6108416M1	WEAR PAD -BLUE 4.0 MM		4		
5	6108417M1	WEAR PAD -GREEN 3.6 MM		4		
6	53112512	STABILIZER FOOT BLACK		2		
6	53109615	STABILIZER FOOT BLACK		2		
7	1B1085	PIN STAB FOOT		2		
8	1442169X1	SCREW		2		
9	1440329X1	M10 NYLOC NUT		2		
10	1B0579	OUTER LEG COVER		2		
10A	339666X1	HEX HEAD BOLT M6X1X20		8		
10B	391038X1	WASHER M6 - LRG		8		
11	53108844	STABILIZER CYLINDER-BLACK		2		
12	3519712M1	WEAR PAD -YELLOW 4.5 MM		2		
12	3519713M1	WEAR PAD -BLACK 5.0 MM		2		
12	3519714M1	WEAR PAD -GREY 5.5 MM		2		
12	3519715M1	WEAR PAD -NATURAL 6.0 MM		2		
12	3519716M1	WEAR PAD -RED 6.5 MM		2		
12	6108418M1	WEAR PAD -BLUE 4.0 MM		2		
12	6108419M1	WEAR PAD -GREEN 3.6 MM		2		
13	1B0731	THREADED PLUG		6		
14	1B0732	WEAR PAD		6		
15	6108652M1	CSK SCREW M6 X 20LG POSI HEAD		12		
16	1B0730	THREADED PLUG BUSH		6		

Item	Part No.	Name	Characteristics	Qty	Superseded PartNumber	Machine applicability
1	1J0620	PLATE VENT		1		
2	1J0621	BOX VENT - LH		1		
3	1J0622	BOX VENT - RH		1		
4	3008229X1	MACHINE SCREW PAN HEAD M6x30		12		
5	3516109M1	WASHER M6		12		
6	391038X1	WASHER M6 - LRG		12		
7	1441500X1	M6X1 NYLON LOCK NUT		12		
8	1J0629	HEX SOCKET HEAD BUTTON SCREW M10 X 35		6		
9	1J0630	WASHER M10 - LRG		6		
10	1J0016	GROMMET		2		

Item	Part No.	Name	Characteristics	Qty	Superseded PartNumber	Machine applicability
1	3504158M98	TELESCOPIC EXTN. W/ASSY		1		
2	6100743M96	HOUSING W/A		1		
4	6102518M1	WEAR PAD		1		
5	3501655M2	SPACER, PADS		2		
6	3502976M2	SHIM 3.0 THK		2		
7	3502975M2	SHIM 2.0 THK		2		
8	3501975M2	SHIM 1.0 THK		2		
9	6102519M91	COVER PLATE		1		
10	3517388M1	WASHER HARDENED M24-SPECIAL		2		
11	3517491M1	BOLT M24-90 10.9		2		
12	3501624M1	PIN CYLINDER (HEAD END)		1		
13	355973X1	SNAP RING		4		
14	3501625M1	PIN CYLINDER (ROD END)		1		
15	3502475M2	WEAR PAD		4		
16	3502476M1	SHIM		4		
17	3510645M1	SHIM		2		
18	6106121M2	WEAR PAD HOUSING		4		
19	339376X1	LOCK WASHER M10		16		
20	3009492X1	HEX BOLT M10x25 GRADE 8.8		16		
21	3501658M2	WEAR PAD		2		
22	6111887M1	COLLAR COVER PLATE		1		
23	3009464X1	SCREW SOCKET FLAT HD M12X35		6		
26	3502938M1	SHIM - 4.0 MM		UAR		
Not Shown	3502939M1	SHIM - 2.0 MM		UAR		
Not Shown	3502940M1	SHIM - 1.0 MM		UAR		
Not Shown	3510862M1	SHIM - 0.5 MM		UAR		
28	6106164M1	SCRAPER PLATE		1		
29	339369X1	LOCK WASHER		5		
30	6007797M1	HEX BOLT M12X30 GR 10.9		5		
31	6102971M1	TOP WEAR PAD RETAINER		1		
32	6111074M91	EXTENDER CYLINDER		1		
33	835013M91	CONNECTOR		1		
34	6100599M91	TUBE ASSY		1		
35	6108900M1	PIN-TRANSPORT		1		

Item	Part No.	Name	Characteristics	Qty	Superseded PartNumber	Machine applicability
0	53101046	FORK LOADER BUCKET (STD) 1.0 CuM.		1		
1	53101044	LINCH PIN AND RING		4		
2	53101045	BAR - FORK PIVOT		1		
3	1441932X1	NUT LOCK		2		
4	1442984X1	PIN COTTER		2		
5	53101047	FORK BUCKET W/ASSY.		1		
6	3009503X1	BOLT		2		
7	3507537M1	PIVOT PIN		6		
8	3519728M9 1	FORK ARM		2		
9	6103661M9 2	FORK PIVOT ASSY.		2		
10	6103668M1	BOSS		2		

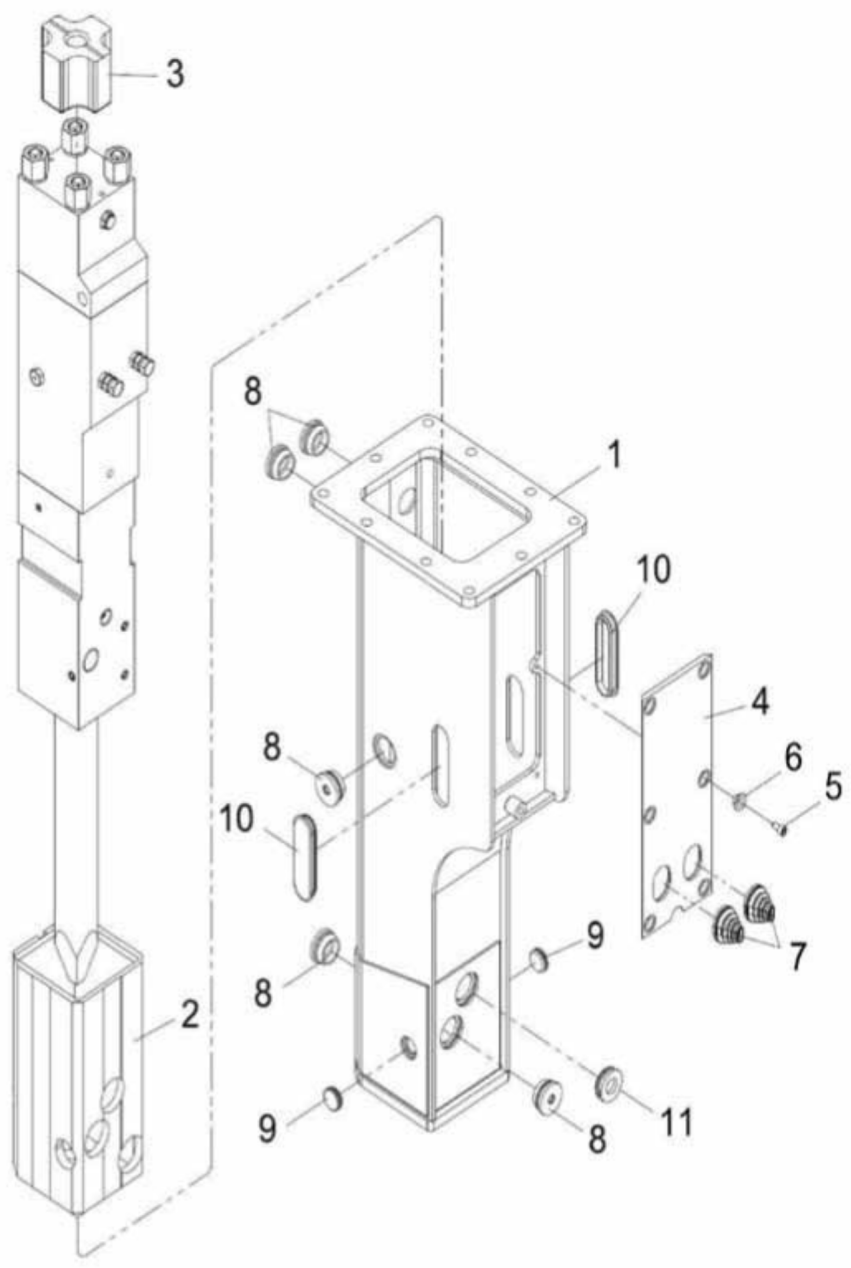
Item	Part No.	Name	Characteristics	Qty	Superseded PartNumber	Machine applicability
1	3475569M1	WASHER LOCK		1		
2	3475570M1	NUT		1		
3	3523082M1	WASHER		2		
4	3523083M1	SPACER		1		
5	6194506M9 1	KIT CROWNWHEEL		1		
6	6190197M1	Shim		-		
6	6190198M1	Shim		-		
6	6190199M1	Shim		-		
6	6190200M1	Shim		-		
6	6190201M1	Shim		-		
6	6190202M1	Shim		-		
6	6190203M1	Shim		-		
6	6190204M1	Shim		-		
6	6190205M1	Shim		-		
6	6190206M1	Shim		-		
7	3475567M1	BEARING		2		
8	6194025M1	Cover		1		
9	6194006M1	O-Ring		1		
10	6193433M1	Seal, Oil		1		

Item	Part No.	Name	Characteristics	Qty	Superseded PartNumber	Machine applicability
1	53100382	AXLE ASSY. FRONT		1		
2	1B1094	PIN AXLE PIVOT		1		
3	1440330X1	M12 NYLOC NUT		1		
4	3009518X1	HEX BOLT M12X110		1		
5	1441858X1	GREASE FITTING		1		
6	3009694X1	HEX NUT M10 THIN		1		
7	3521240M1	BULKHEAD UNION		1		
8	6110197M1	HOSE ASSY		1		
10	358760X91	ELBOW 90#7/16-7/16		1		
11	831495M1	O-RING		1		

Item	Part No.	Name	Characteristics	Qty	Superseded PartNumber	Machine applicability
1	6193417M1	NEEDLE		336		
2	6194928M1	SNAP RING		6		
3	6194929M1	WASHER		6		
4	53110365	GEAR Z23		6		
5	53110364	PLANETARY CARRIER ASSY		2		
6	3523632M1	PLUG M30X2		2		
7	6190282M1	BOLT M8X20		4		

Item	Part No.	Name	Characteristics	Qty	Superseded PartNumber	Machine applicability
1	1J0554	FRP ROOF COVER		1		
2	1J0625	INNER ROOF-FRP		1		
3	53106804	HEATER UNIT		1		
4	1J0548	CAB WELDMENT		1		
5	1J0553	BRACKET ASSEMBLY		1		
6	1J0764	SEAT ASSY. FABRIC CAB MECH		1		
7	1J0557	SLIDE LINK ASSY-RH		1		
8	1J0556	SLIDE LINK ASSY-LH		1		
9	1J0555	REAR WINDOW W/ASSY		1		
10	1J0619	GROMMET		2		

ROCK BREAKER



Item	Part No.	Name	Characteristics	Qty	Superseded PartNumber	Machine applicability
30	53100008	HOSE ASSEMBLY		1		
31	1H0706	HOSE ASSEMBLY		1		
32	358741X91	CONNECTOR		1		
33	358713X1	FITTING		2		
34	831495M1	O-RING		3		
35	339123X1	HEX BOLT M8, 20MM L, 8.8		2		
35A	391039X1	WASHER M8-24-2 Z		2		
36	1H0241	TEST ADAPTOR		1		
37	1D0257	SWITCH ROCK BREAKER		1		
38	53101092	HOSE CHAIN		1		
39	1B0652	SEAL KIT		1		

Item	Part No.	Name	Characteristics	Qty	Superseded PartNumber	Machine applicability
1	6194365M1	SPLIT PIN D3 X 8		2		
2	6190292M1	CIRCLIP		1		
3	6194345M1	BEARING		1		
4	6194346M1	SPACER 68X45X105		1		
5	6194347M1	NEEDLE CAGE		2		
6	6194348M1	GEAR Z35		1		
7	6194349M1	SNAP RING		2		
8	6194350M1	CLUTCH PLATE LOCKRING		2		
9	6194957M9 1	CLUTCH DISCS/COUNTERPLATES ASSY		2		
10	6194351M1	SPACER 60X50X4		3		
11	6194495M1	CIRCLIP D50		2		
12	6194355M1	LOCK-SPRING COVER		2		
13	6194354M1	SPRING		2		
14	6194357M1	CLUTCH SLEEVE		2		
15	6194358M1	CLUTCH PISTON		2		
16	6194359M1	SEAL RING		2		
17	6194360M1	SEAL RING D55		2		
18	6194496M9 1	INNER SHAFT (ASSY)		1		
19	6194343M1	SEAL RING D45		2		
20	6194497M1	RIVET D6X5,84		4		
21	6194363M1	SEAL RING D50		4		
22	6194364M1	BALL BEARING		1		
23	6194356M1	CIRCLIP D50		1		
24	6194362M1	GEAR Z29 (FWD)		1		
25	6194368M1	CIRCLIP D30		1		
26	6194367M1	BEARING		1		
27	6194732M1	PTO TRANSMISSION SHAFT		1		

CLICK HERE TO **DOWNLOAD** THE COMPLETE MANUAL

- Thank you very much for reading the preview of the manual.
- You can download the complete manual from: www.heydownloads.com by clicking the link below



- Please note: If there is no response to CLICKING the link, please download this PDF first and then click on it.

CLICK HERE TO **DOWNLOAD** THE COMPLETE MANUAL