




MANITOU

HANDLING YOUR WORLD

**GENUINE PARTS CATALOGUE
CATALOGUE PIÈCES D'ORIGINE
ORIGINAL ERSATZTEILKATALOG
CATALOGO DE PIEZAS LEGITIMAS
CATALOGO RICAMBI ORIGINALI**

This document has been printed from  **mye doc**

MANITOU BF

Head office: 430, Rue de l'Aubinière
44150 Ancenis - FRANCE
Share capital: 39,548,949 euros
857 802 508 RCS Nantes
Tel: +33 (0)2 40 09 10 11
www.manitou.com

CLICK HERE TO **DOWNLOAD** THE COMPLETE MANUAL

- Thank you very much for reading the preview of the manual.
- You can download the complete manual from: www.heydownloads.com by clicking the link below



- Please note: If there is no response to CLICKING the link, please download this PDF first and then click on it.

CLICK HERE TO **DOWNLOAD** THE COMPLETE MANUAL

Item	Part No.	Name	Characteristics	Qty	Superseded PartNumber	Machine applicability
11	209069	LHM		1		
12	4359834	CAUTION - Avoid Danger of Serious Injury		1		
13	4359734	WARNING - Use Seat Belt		1		
14	202456	Load Chart		1		
15	208614	Maintenance Schedule		1		
16	201987	Joystick Controls		1		
17	208712	Sound Power Level Compliance		1		
18	203238	Fuse Chart		1		

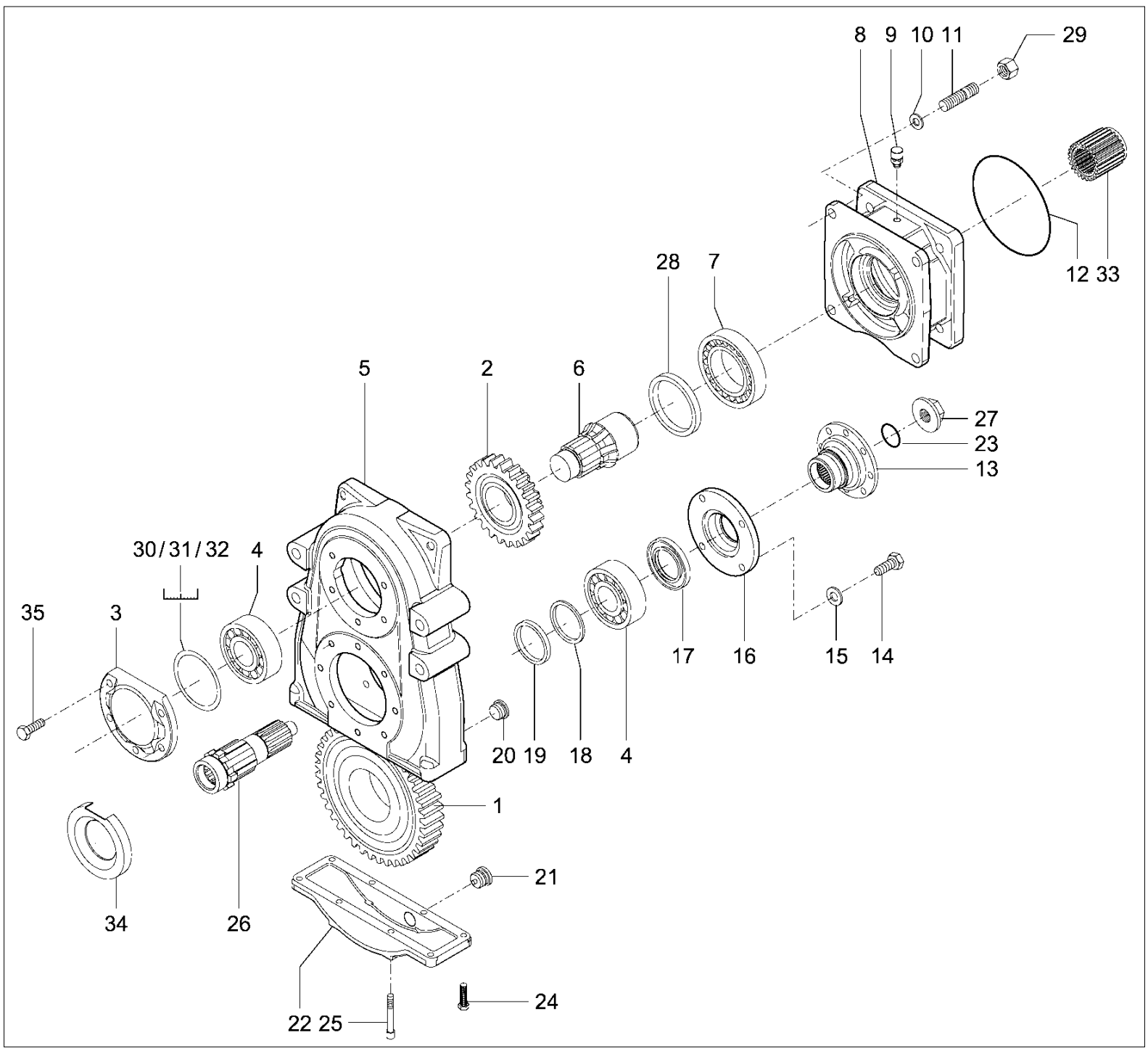
Item	Part No.	Name	Characteristics	Qty	Superseded PartNumber	Machine applicability
1	207879	VALVE COVER		1		
2	208815	HEX SCREW		10		
3	207878	VALVE COVER GASKET		1		
4	202897	CYLINDER HEAD BOLT		10		
5	203450	CYLINDER HEAD		1		
6	0000801910	VALVE CONE		16		
7	202905	SPRING CAP		8		
8	0000802658	COMPRESSION SPRING		8		
9	0000801929	VALVE STEM SEAL		8		
10	202902	VALVE SEAT		4		
11	203451	VALVE SEAT		4		
12	208862	EXHAUST VALVE		4		
13	207885	INTAKE VALVE		4		
14	202898	CYLINDER HEAD GASKET (1.47MM - 1 NOTCH)		1		
15	202899	CYLINDER HEAD GASKET (1.57MM - 2 NOTCHES)		1		
16	202900	CYLINDER HEAD GASKET (1.67MM - 3 NOTCHES)		1		
17	0000801953	ROCKER ARM BRACKET		4		
18	202906	PUSH ROD		8		
19	0000804268	VALVE TAPPET		8		
20	0000802648	LOCK		1		
21	208844	COTTER PIN		2		
22	208814	HEX SCREW		1		
23	207880	VALVE		1		
24	0000802764	O-RING 45X4		1		

Item	Part No.	Name	Characteristics	Qty	Superseded PartNumber	Machine applicability
1	0009938001	AIR FILTER - COMPLETE		1		
2	203543	PRE-SHAPED HOSE		1		
3	0000805187	AIR FILTER - OUTER		1		
4	0000805188	AIR FILTER - INNER		1		
5	0000807545	COVER		1		
6	165296	DUST VALVE		1		
7	0009935151	CLAMP		1		
8	656094	CS M8-1.25X30 C8.8 ZY DIN933		2		
9	177648	HEX SCREW		1		
10	7462680011	WASHER 8.4 ST A2C		2		
11	208639	MAINTENANCE INDICATOR		1		
12	0009937929	CLAMP		2		
13	163634	FLATWASHER		3		
14	203461	BRACKET		1		
15	L99933	LATCH		3		

Item	Part No.	Name	Characteristics	Qty	Superseded PartNumber	Machine applicability
30	651506	SHCS M6-1X16 C8.8 OCG DIN912		2		
31	207917	RUBBER BOOT		1		

Item	Part No.	Name	Characteristics	Qty	Superseded PartNumber	Machine applicability
64	203487	BRACKET		2		
65	0009930051	CLAMP		2		
66	0009933485	COVER PLATE		2		
67	164913	SCREW		4		
68	164913	SCREW		2		
69	7451680109	WASHER		2		
70	NA	BRACKET *, **		1		
71	651457	LN INS M6-1 C8 ZY DIN6924		4		
72	208418	PIN SCREW (STUD)		2		
73	0009933185	COVER PLATE		2		
74	203249	CLAMP *		2		

Item	Part No.	Name	Characteristics	Qty	Superseded PartNumber	Machine applicability
38	201898	PLANETARY GEAR		6		
39	201899	BEARING		6		
40	201900	PLUG		2		
41	201901	SCREW		4		
43	201903	WASHER		2		
44	201904	NUT		16		
45	201905	STUD		16		
46	201894	BEARING		4		
47	202085	WHEEL HUB		2		
48	201908	PLANETARY CARRIER (INCLUDES REF. NOS. 31, 32, 33, 37, 38, 39, 42, 43)		2		
49	201911	LOCK SCREW		1		
50	204264	HOLLOW WHEEL SUPPORT (INCLUDES 31, 32, 33)		2		



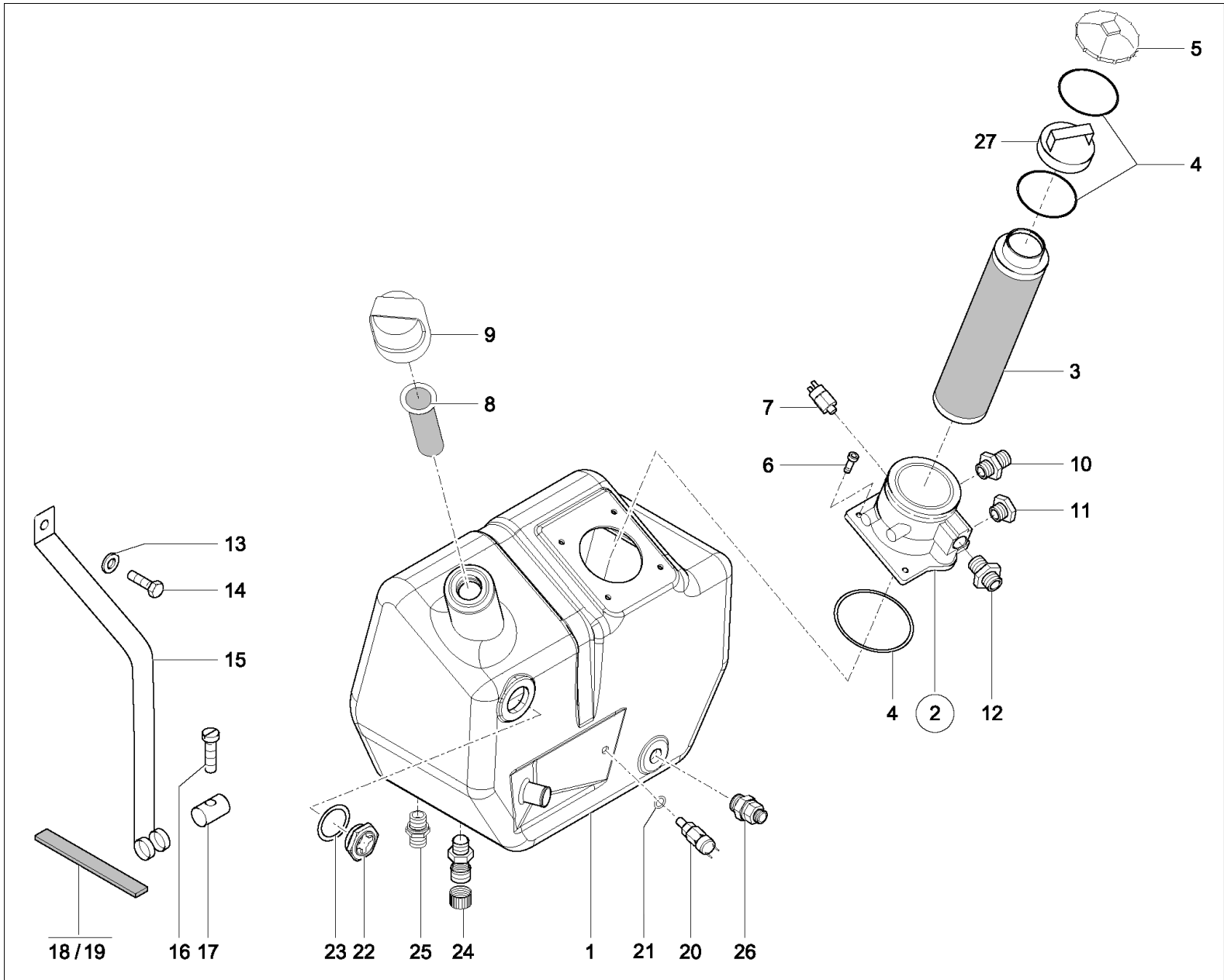
CLICK HERE TO **DOWNLOAD** THE COMPLETE MANUAL

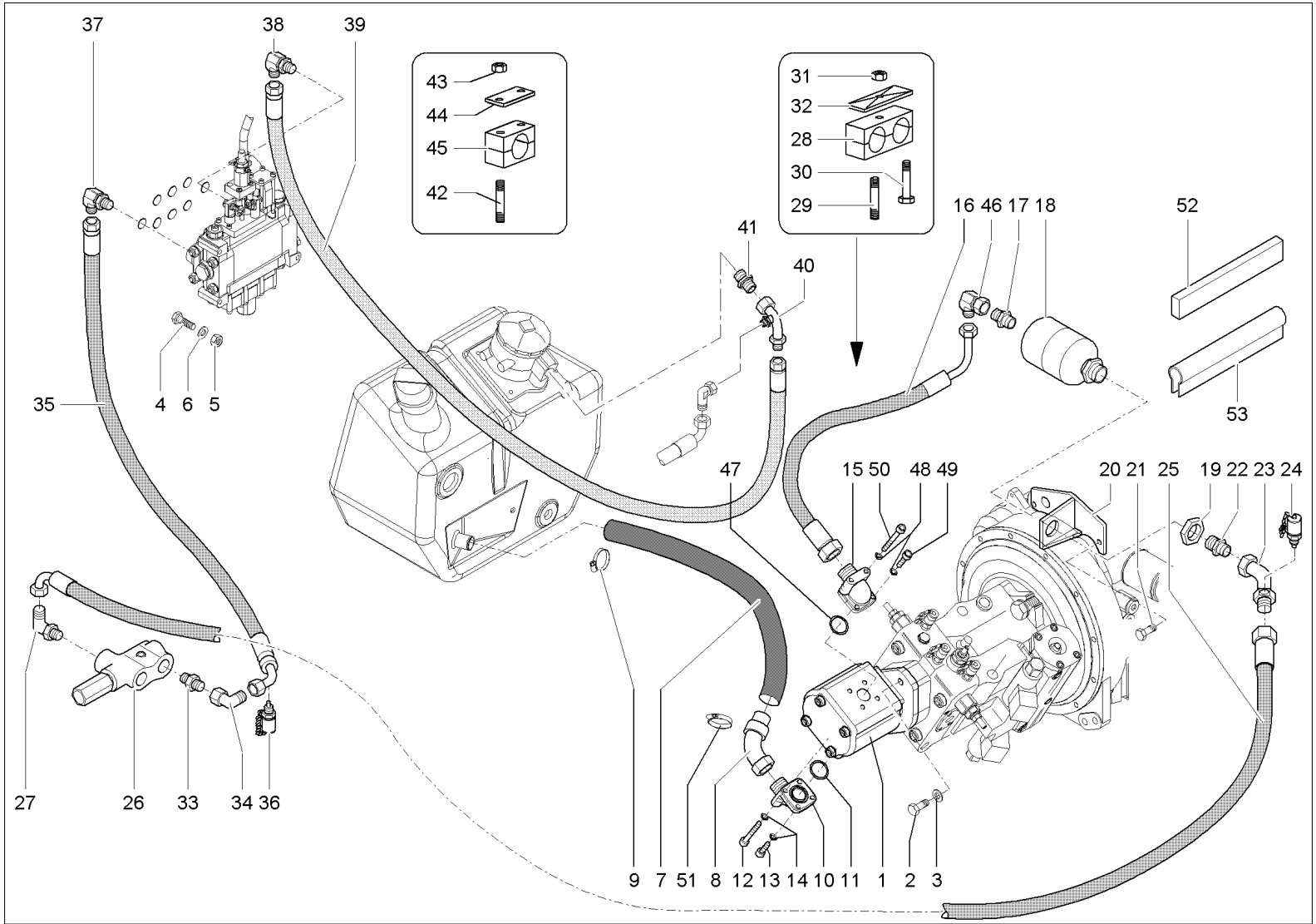
- Thank you very much for reading the preview of the manual.
- You can download the complete manual from: www.heydownloads.com by clicking the link below

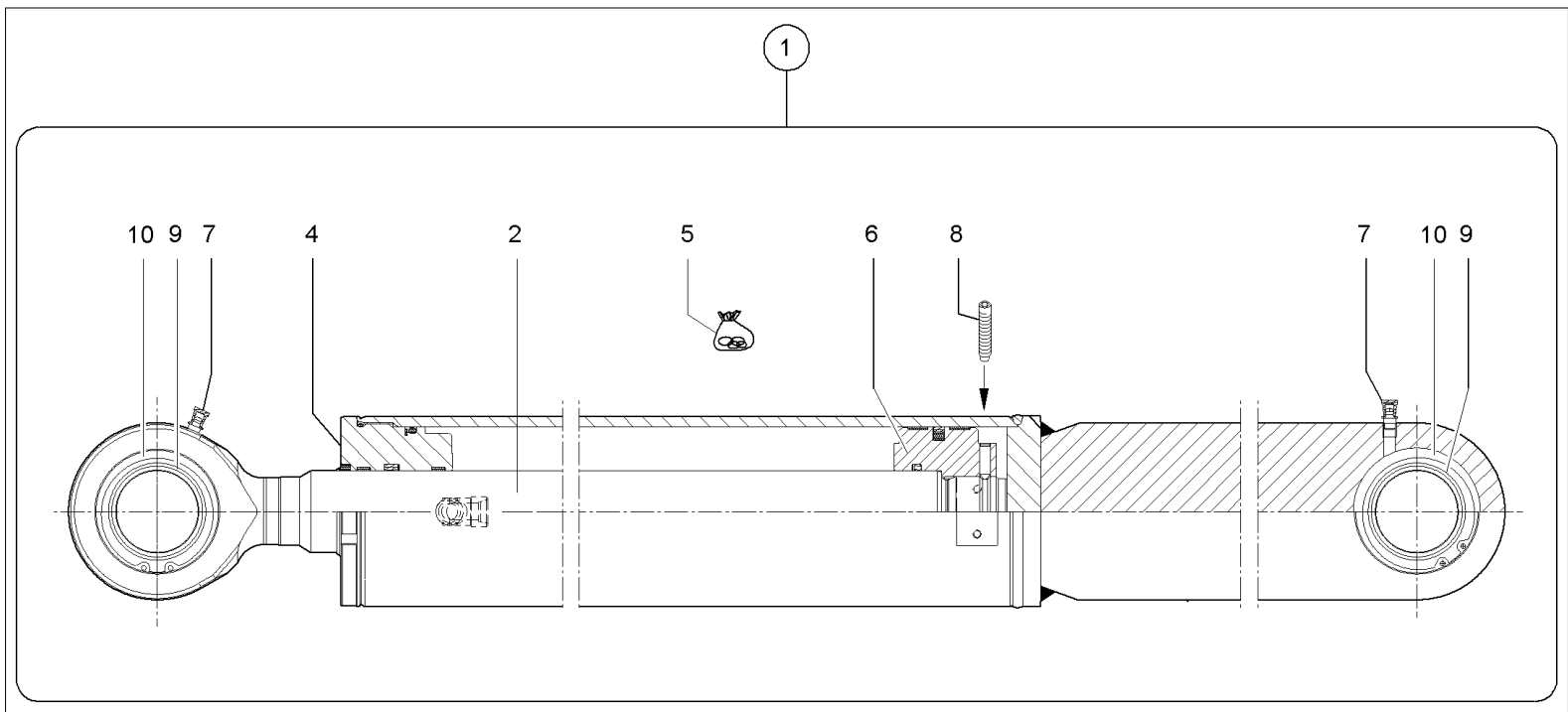


- Please note: If there is no response to CLICKING the link, please download this PDF first and then click on it.

CLICK HERE TO **DOWNLOAD** THE COMPLETE MANUAL

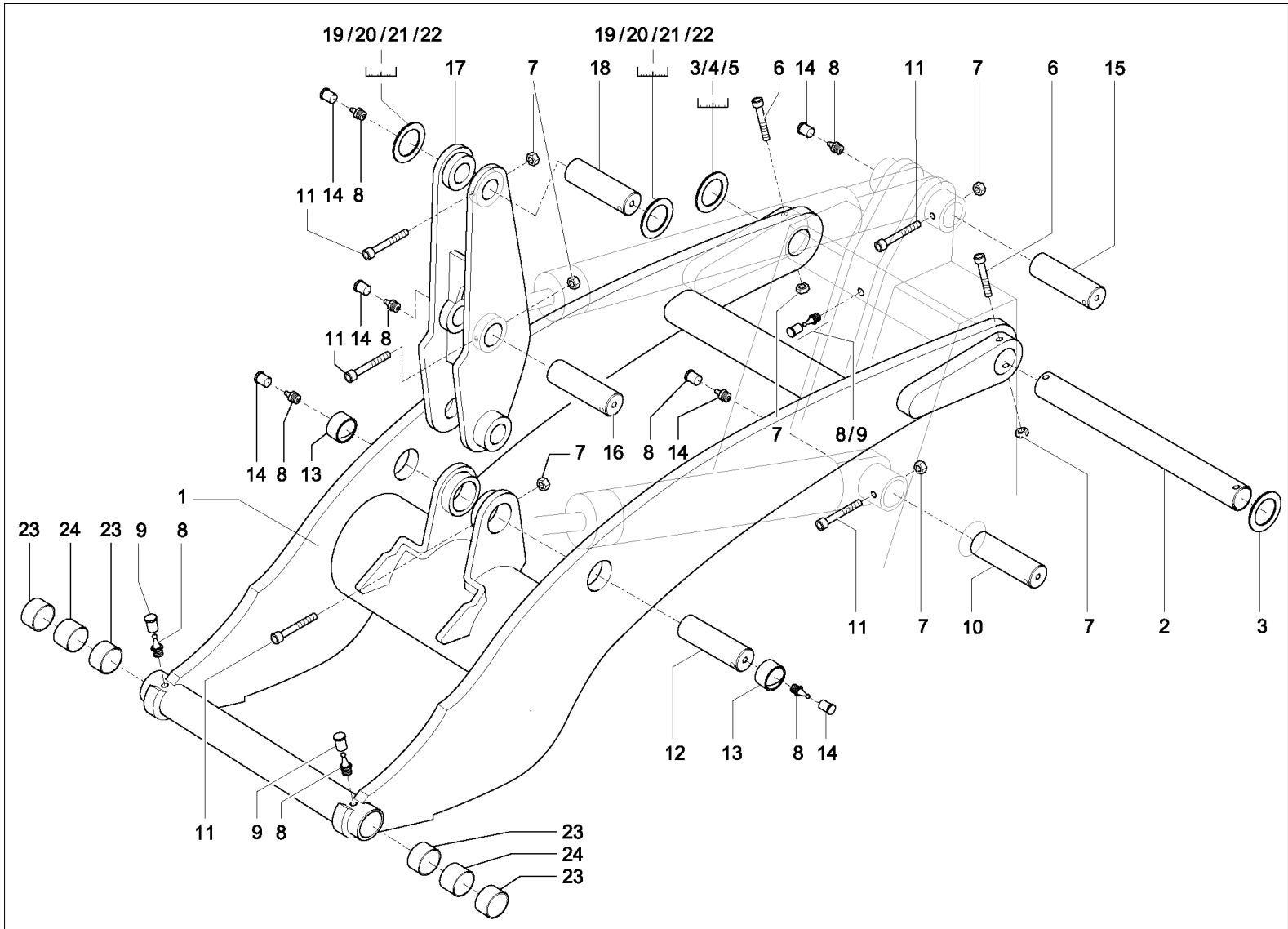






Item	Part No.	Name	Characteristics	Qty	Superseded PartNumber	Machine applicability
37	0003323317	RELAY 30 A (FRONT SOCKET K16)		1		
38	202716	BOOSTER		1		
39	203536	HOOK STRAP (0.10M)		1		
40	202682	CABLE		1		

Item	Part No.	Name	Characteristics	Qty	Superseded PartNumber	Machine applicability
1	204459	WIRE HARNESS/CAB WIRE HARNESS (SN 347040129 AND UP)		1		
Not Shown	203507	WIRE HARNESS/CAB8WIRE HARNESS (SN 347040128 AND BEFORE)		1		
2	000333621 1	PLUG		1		
3	000333516 5	CENTRAL PLUG 9.5MM		1		
5	201821	CONNECTOR		1		
7	204605	DUCT RING		3		
8	164874	PLUG		1		
9	201821	CONNECTOR		1		
11	164874	PLUG		1		
13	164874	PLUG		1		
16	201821	CONNECTOR		1		
17	162003	PLUG		1		
18	207540	SOCKET HOUSING		1		
25	000333886 5	HOUSING		1		
26	000333461 1	HOUSING		1		
27	208114	BLOCK DIODE		2		
28	162000	PLUG		3		
31	202874	WARNING BUZZER (ENGINE OVERHEAT)		1		
32	728667107 0	OVAL-HEAD SCREW M4X12-4.8 H A2C		1		
33	745168010 7	WASHER B4.3-140HV A2C		1		
34	740567700 2	HEX NUT M4-8 A2C		1		
35	209061	RELAY - 20/35 A		2		



Item	Part No.	Name	Characteristics	Qty	Superseded PartNumber	Machine applicability
32	207004	ANNOUNCEMENT		1		
33	0009921501	SPRING		1		
34	207823	RING		1		
35	0000809145	ADJUSTMENT SLIDE RAIL		1		
36	206994	COVER		1		

Item	Part No.	Name	Characteristics	Qty	Superseded PartNumber	Machine applicability
1	202031	SIDE WINDOW		1		
2	202189	WINDOW SEAL		1		
3	202191	DOOR LATCH		2		
4	209660	BRACKET		1		
5	202192	SCREW		1		
6	202193	BRACKET		1		
7	209661	LEVER - RT		1		
8	0000809770	O-RING		9		
9	208472	COUNTER NUT		10		
10	209658	PLUG		9		
11	209659	DOOR FASTENER - RT		1		
12	202196	SCREW		2		
13	202197	WASHER		3		
14	202201	RUBBER PLATE		4		
15	202202	BUSHING		2		
16	209674	MOUNTING		6		
17	208877	SCREW		8		
18	208919	COTTERPIN		4		
19	202203	HINGE		4		
20	202204	GASKET		8		
21	209652	BUSHING		8		
22	209653	SLEEVE		8		
23	202205	HANDLE		1		
24	202206	HINGE		4		
25	202032	DOOR WINDOW		1		
26	208885	HANDLE		1		
27	209856	PLUG		1		
28	208888	SCREW		1		
29	208886	FASTEN PLATE		1		
30	208898	LOCK		1		
31	7272671155	SCREW		2		
32	208897	LOCK COVER		1		
33	208882	SCREW		1		
34	202190	WINDOW SEAL		1		
35	202207	HANDLE		1		
36	209690	PIN		2		
37	209692	HINGE		2		

Item	Part No.	Name	Characteristics	Qty	Superseded PartNumber	Machine applicability
32	656149	CS M6-1x16 C8.8 ZY DIN933		3		
33	725467706 8	SHCS M8X40-8.8 A2C		2		
34	651458	LN INS M8-1.25 C8 ZY DIN6924		2		
Not Shown	055648	TIE/CABLE .19 x 7.50 BLACK		10		
Not Shown	271744	DECAL/AWS LOW-SPEED		1		

CLICK HERE TO **DOWNLOAD** THE COMPLETE MANUAL

- Thank you very much for reading the preview of the manual.
- You can download the complete manual from: www.heydownloads.com by clicking the link below



- Please note: If there is no response to CLICKING the link, please download this PDF first and then click on it.

CLICK HERE TO **DOWNLOAD** THE COMPLETE MANUAL