

GEHL®

Form No.
918257
Revision A
June 2008

AL 240

Articulated Loader



Parts Manual

CLICK HERE TO **DOWNLOAD** THE COMPLETE MANUAL

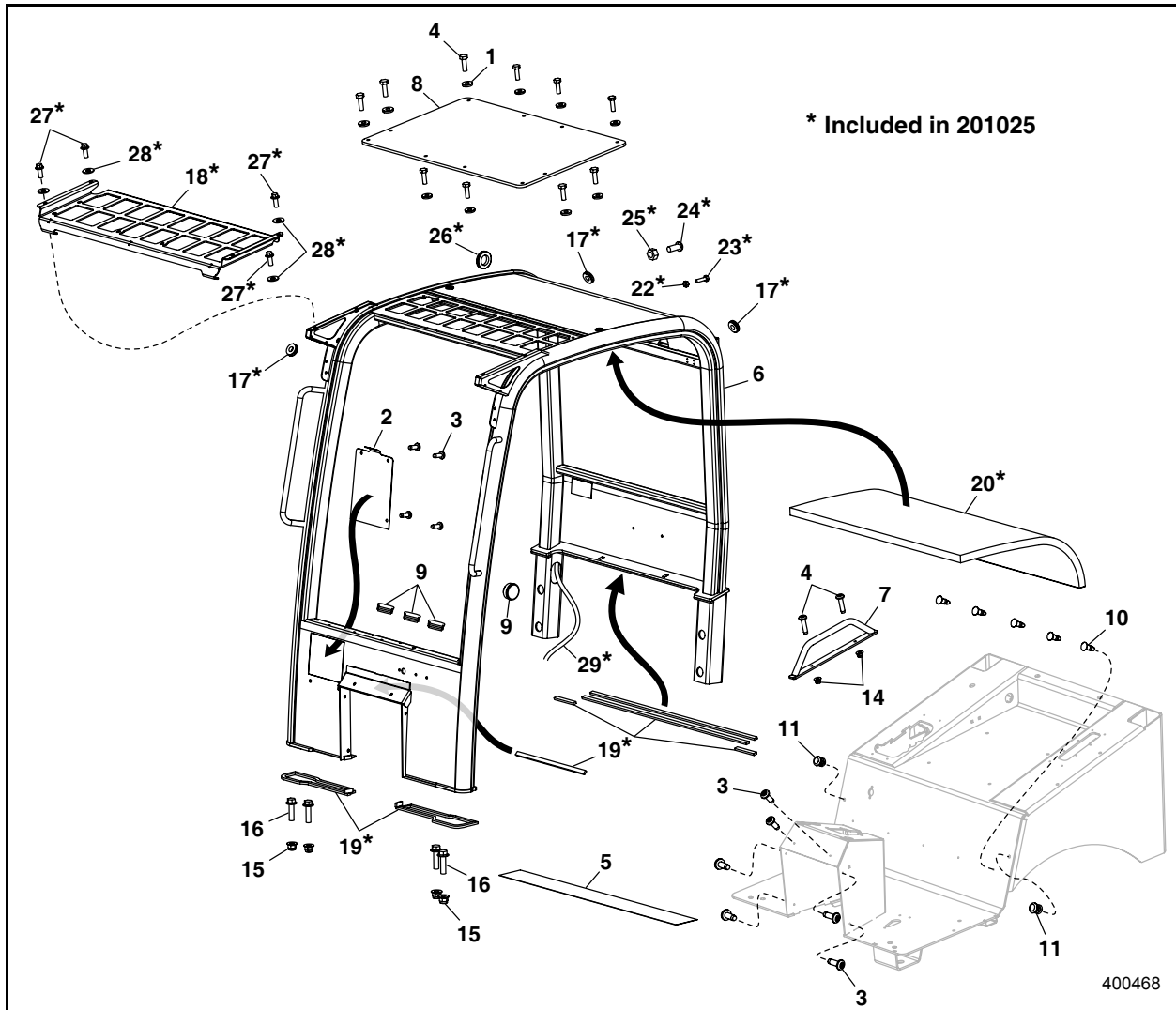
- Thank you very much for reading the preview of the manual.
- You can download the complete manual from: www.heydownloads.com by clicking the link below



- Please note: If there is no response to CLICKING the link, please download this PDF first and then click on it.

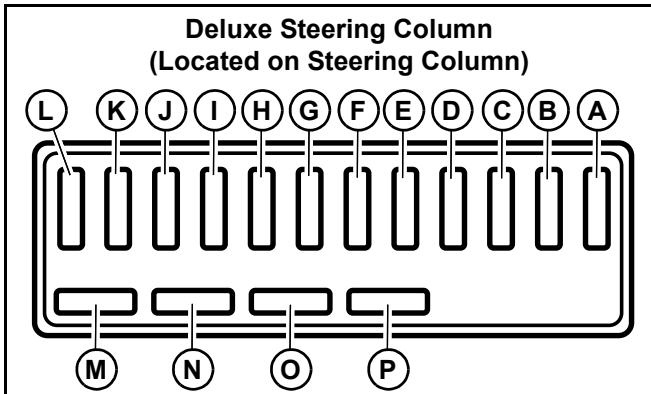
CLICK HERE TO **DOWNLOAD** THE COMPLETE MANUAL

AL 240 - CHASSIS ROPS - FOUR-POST - 201025

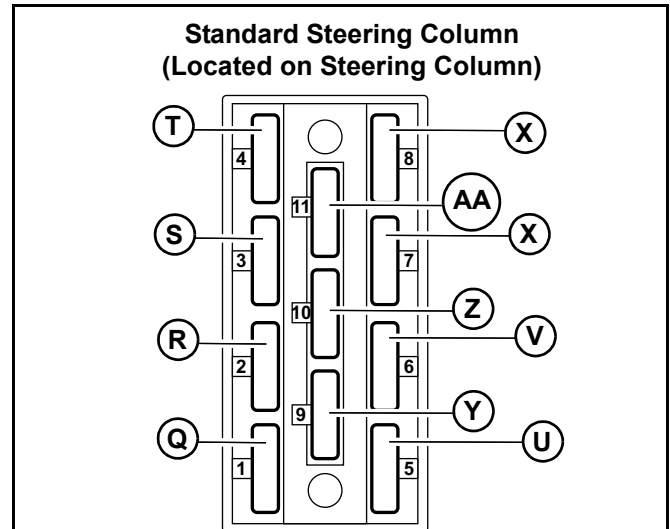


Ref. No.	Part No.	Description	Qty.	Ref. No.	Part No.	Description	Qty.
1	137462	WASHER 1/4 SEALING	10	16	651742	CS FLH M12-1.75X45 C8.8ZY DN1665	4
2	175682	COVER/STEERING COLUMN	1	17	202570	GROMMET	3
3	176681	SCREW/TPH TF TORX M6-1.00X16	10	18	202569	BRACKET/FOPS	1
4	176682	SCREW/TPH TF TORX M6-1.00X25	12	19	202568	KIT/FOAM	1
5	200283	TAPE/ANTI-SLIP (3.0775FT)	1	20	202567	HEADLINER	1
6	201025	OPEN CAB STRUCTURE ASSY (Includes Ref. Nos. 17, 18, 19, 20, 22 - 28 & 29)	1	22	656116	HN M4-0.7 C8 ZY DIN934	1
7	270119	HANDLE/WLDMT	1	23	651421	CS M4-0.7X16 C8.8 ZY DIN931	1
8	270161	WINDOW/SKYLIGHT	1	24	651640	BHSCS 5/16X3/4 C RIE	1
9	270180	PLUG/PLASTIC	3	25	653007	HN 5/16 C2ZY	1
10	270588	PLUG/PLASTIC	5	26	202571	GROMMET	2
11	270730	PLUG/PLASTIC	2	27	651689	CS FL M8-1.25X20 C8.8 ZY DIN1662	4
14	651705	LN INST FL M6-1.00 C8 ZY DIN6926	2	28	654004	FW 5/16 AWZY	4
15	651708	LN INST FL M12-1.75 C8 ZY DIN6926	4	29	201377	HARNES/4 POST ROPS	1

AL 240 - CHASSIS ELECTRICAL

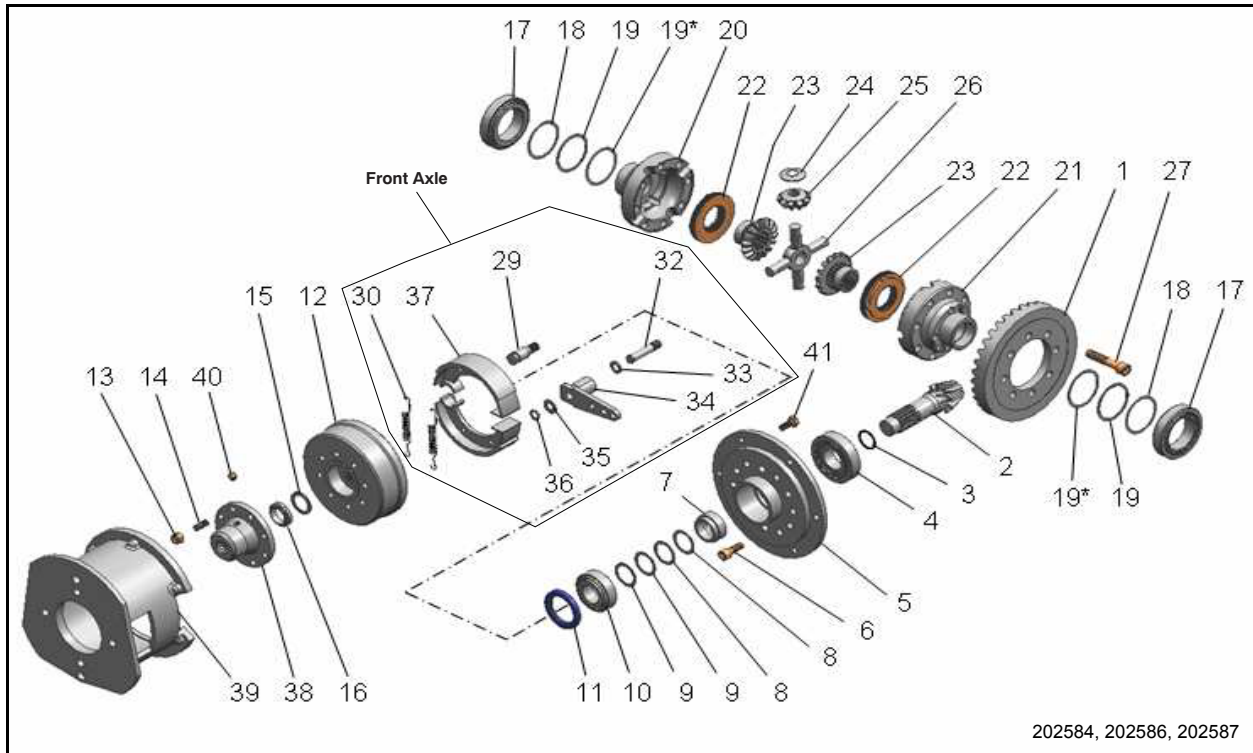


Fuse	Rated Current (Amp)	Protected Circuit	Ref. (See following page)
A	5	Instrument panel, forward and reverse relays	1
B	10	Joystick	3
C	5	Fuel pump, glow module, fuel solenoid hold	1
D	7.5	Horn, beacon	2
E	5	Work light switch, work light relays	1
F	10	Power-A-Tach™	3
G	5	Starter relay	1
H	10	Turn signals	3
I	20	Ignition switch	1
J	10	Rear work light	3
K	10	Front work light	3
L	7.5	12V accessory power outlet	2
M	10	High-beam headlights	3
N	10	Low-beam headlights	3
O	5	Position lights	1
P	10	Spare fuse	3



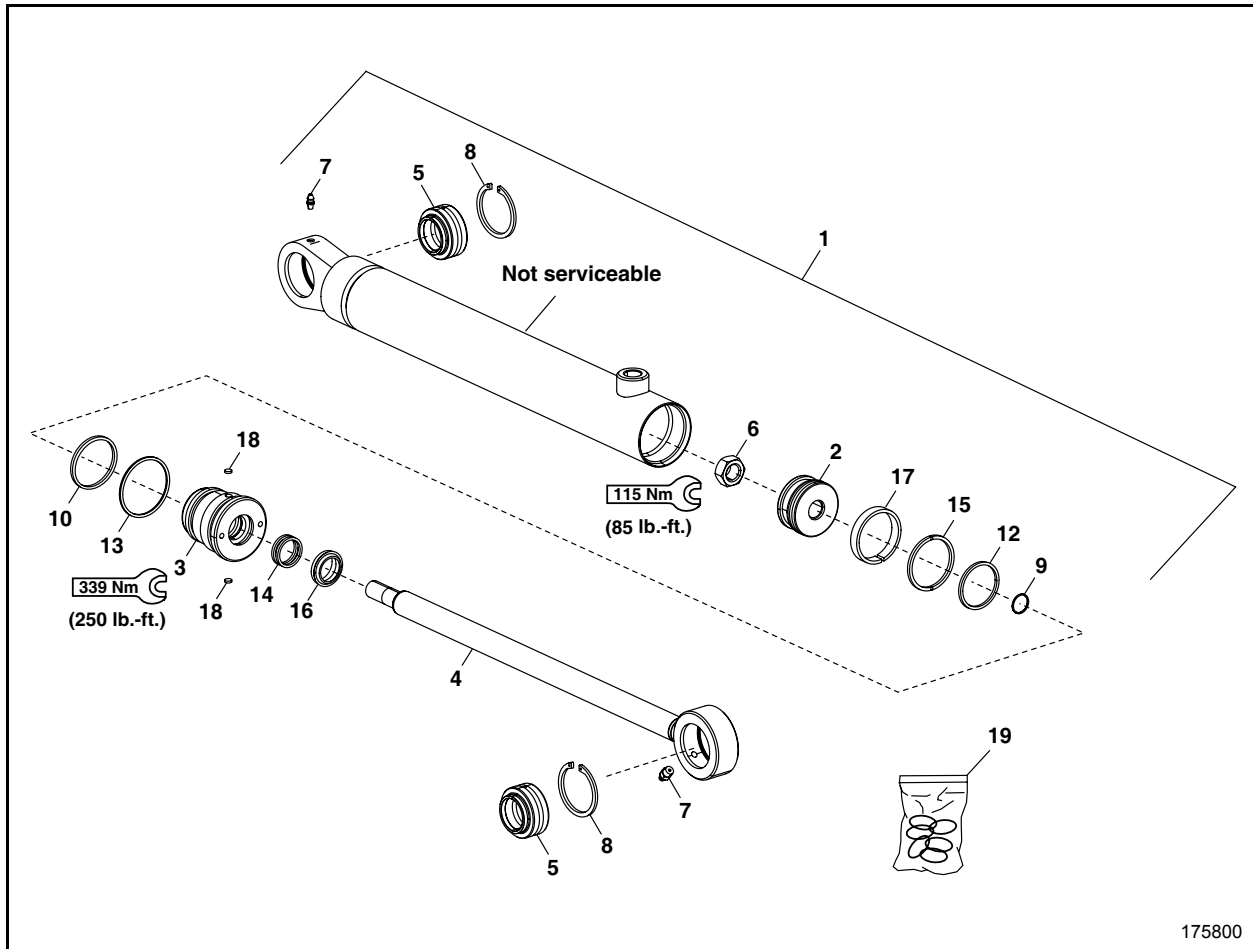
Fuse	Rated Current (Amp)	Protected Circuit	Ref. (See following page)
Q	5	Instrument panel, forward and reverse relays	1
R	5	Joystick	1
S	5	Fuel pump, glow module, fuel solenoid hold	1
T	7.5	Horn, beacon	2
U	5	Steering column switch lights	1
V	10	Power-A-Tach™	3
W	5	Starter relay	1
X	20	Ignition switch	4
Y	10	Rear work light	3
Z	10	Front work light	3
AA	7.5	12V accessory power outlet	2

AL 240 - AXLES DIFFERENTIAL



Ref. No.	Part No.	Description	Qty.	Ref. No.	Part No.	Description	Qty.
1	202612	GEAR/BEVEL RING Z=39	1	20	202592	HOUSING/DIFF. HALF	1
2	202613	PINION/BEVEL Z=12	1	21	202592	HOUSING/DIFF. HALF	1
3	202631	O-RING 4112	1	22	202639	PACKAGE/LMS DISC	2
4	126632	BEARING	1	23	202611	WHEEL/CROWN	2
5	202590	HOUSING/PINION	1	24	202606	SHIM/SIDE PINION	4
6	202643	SCREW/SOCKET M12X45 12.9	10	25	202610	PINION/SIDE	4
7	202601	SPACER	1	26	202596	SPIDER	1
8	202625	SHIM/PS 35X45X0,1	AR	27	202618	SCREW/SHC M14X70 12.9	8
9	202626	SHIM/PS 35X45X0,3	AR	29	202605	PIN/BRAKE FULCRUM	1
10	141551	BEARING	1	30	202616	SPRING	2
11	202636	SEAL/OIL BASL 50X72X8	1	32	202602	PIN/BRAKE LEVER	1
12	202597	FLANGE W/BRAKE DRUM	1	33	202628	WASHER/FRICTION	1
13	202620	NUT/SL M10	8	34	202589	LEVER/BRAKE	1
14	202637	BOLT/STUD M10X25	8	35	202603	WASHER/FRICTION	1
15	202629	SHIM/AS 3047	1	36	202624	RING/SNAP E14 230-150H	1
16	202621	NUT/SL GP M30X1,5	1	37	202588	SHOE/BRAKE PAIR	1
17	202635	BEARING/TAPER ROLLER 32012	2	38	202600	CONNECTION/HYDRAULIC MOTOR	1
18	202607	SHIM/61X70X0,1	AR	39	202594	MOUNT/HYDRAULIC MOTOR	1
19	202608	SHIM/61X70X0,3	AR	40	202627	GREASER/M10X1	1
19*	202609	SHIM/61X70X0,5	AR	41	202619	SCREW/M10X25 8.8	6

AL 240 - HYDRAULIC CYLINDERS STEERING CYLINDER

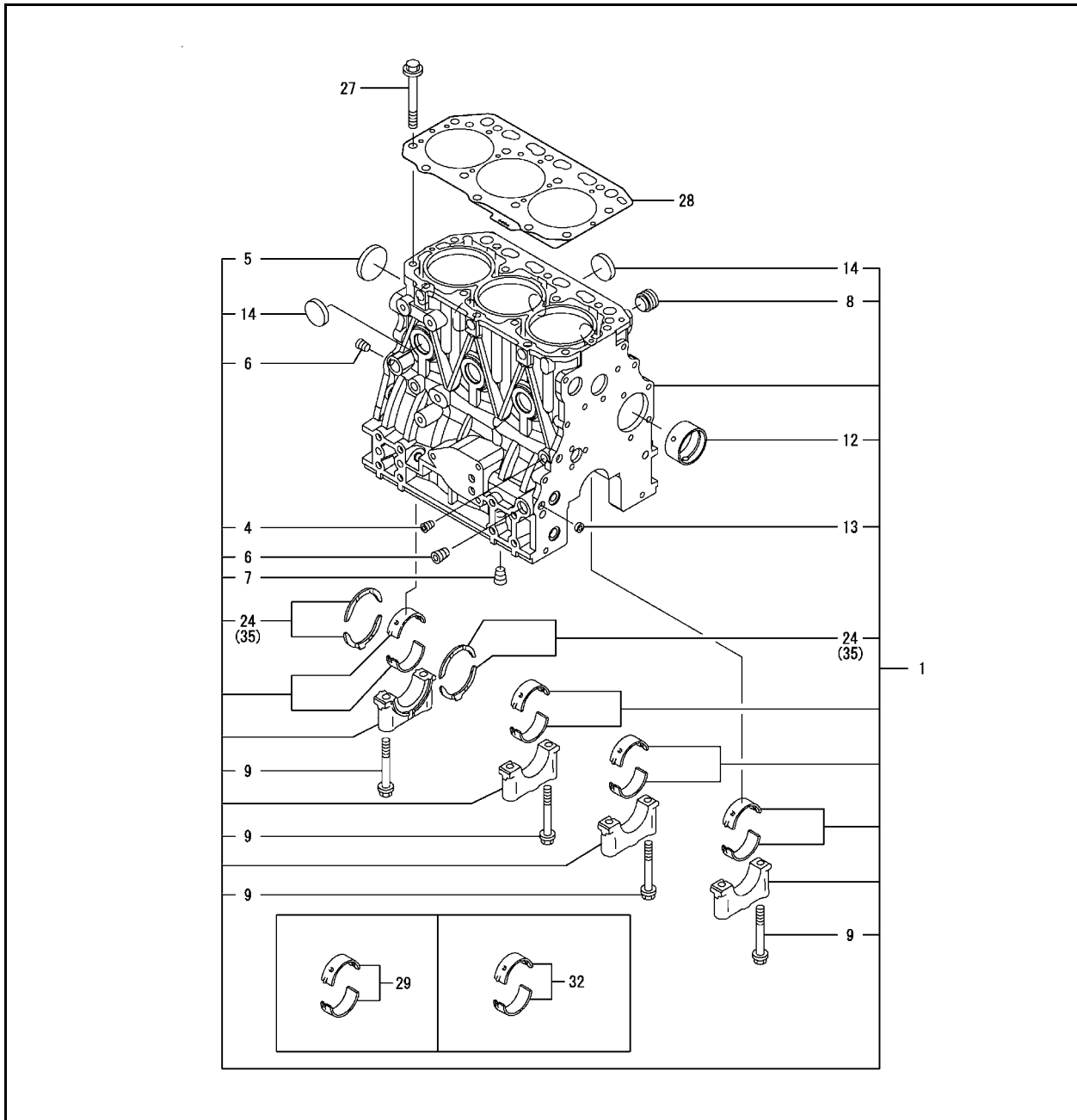


175800

Ref. No.	Part No.	Description	Qty.	Ref. No.	Part No.	Description	Qty.
1	175800	CYL/HYD/STEERING COMPLETE (Includes 1-18)	1	11		O-RING	1
2	270423	PISTON	2	12		SQUARE RING	1
3	270424	HEAD GLAND	1	13		BACKUP RING	1
4	270425	ROD WELDMENT	1	14		Z-SEAL	1
5	270426	SPHERICAL BEARING	1	15		SQUARE SECT. TFE PISTON SEAL	1
6	270427	LOCKNUT/5/8-18 UNF *	1	16		HD ROD WIPER, SEALED OD	1
7	613052	FITTING/GREASE M6X1	2	17		WEARBAND	1
8	270429	RING/INT SNAP 1.88	1	18		LOCKING INSERT	2
9		O-RING	1	19	270430	KIT/SEAL (Includes 9-18)	1
10		O-RING	1				

* Requires Loc-tite® 271 or equivalent.

AL 240 - ENGINE CYLINDER BLOCK

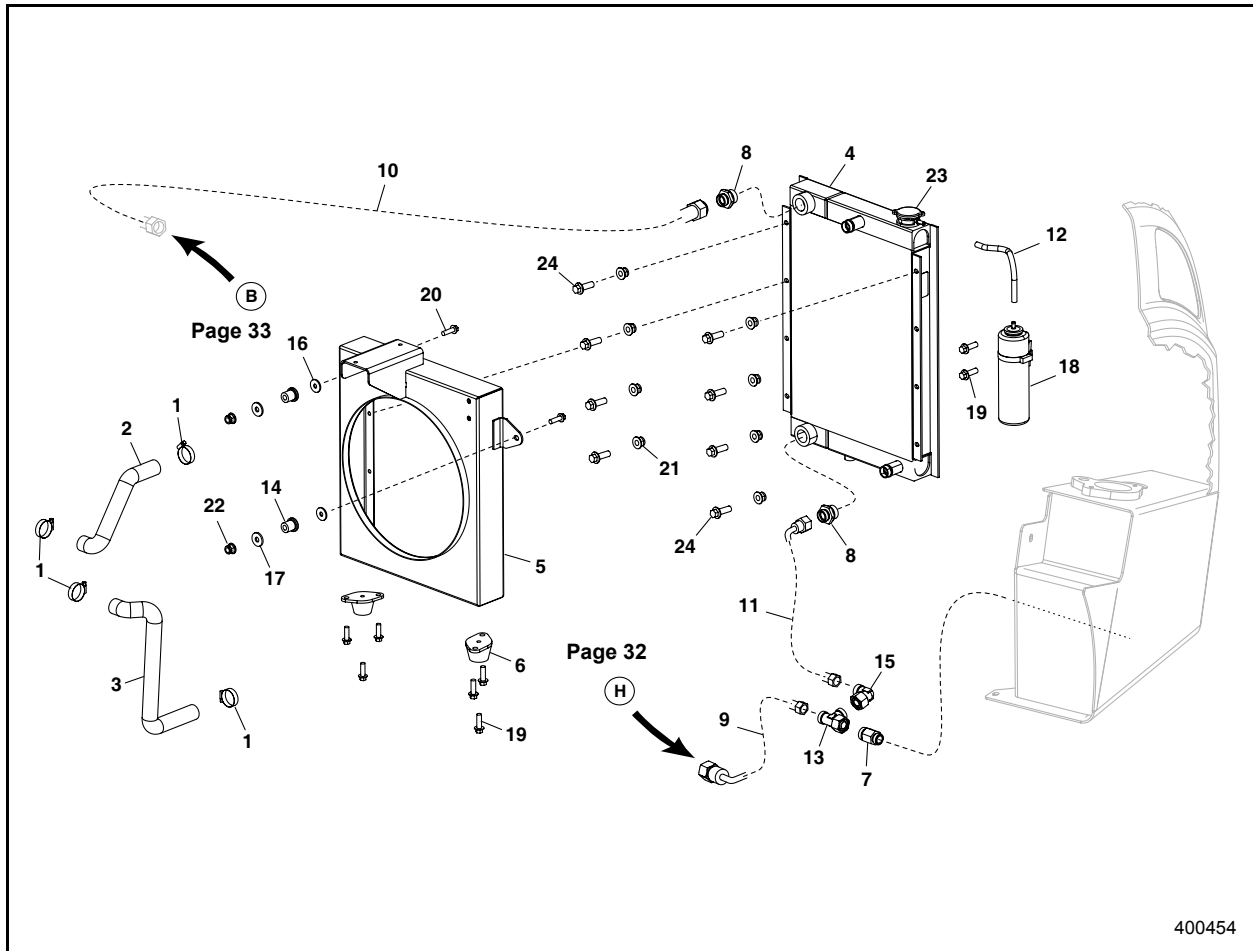


Ref. No.	Part No.	Description	Qty.	Ref. No.	Part No.	Description	Qty.
1	188762	BLOCK ASSY/CYLINDER	1	13	425-34725	PLUG 12	2
4	425-34723	PLUG PT 1/8	1	14	188757	PLUG30	6
5	425-36240	PLUG	1	24	425-34731	BEARING THRUST	2
6	425-34721	PLUG PT 1/4	2	27	425-34638	BOLT/CYLINDER HEAD	14
7	425-34721	PLUG PT 1/4	1	28	425-36241	GASKET	1
8	425-34722	PLUG	1	29	270942	MAIN BEARING SET (US= 0.25)	4
9	425-34730	BOLT	8	32	270943	MAIN METAL (US=0.25)	4
12	270941	BUSH/CAMSHAFT	1	35	270944	THRUST/METAL .25	1

AL 240 - ENGINE COOLING SYSTEM

Ref. No.	Part No.	Description	Qty.	Ref. No.	Part No.	Description	Qty.
34	270970	PLUG/DRAIN	1	43	188552	PIPE ASSY/BMP2	1
35	425-34683	SENSOR/THERMOSTAT 110° C	1	44	188554	PIPE/WATER BMP2	1
36	160427	SEAL	1	45	186464	CLAMP 9	2
37	138076	THERMOMETER	1	46	425-36233	WATER BOTTLE	1
38	425-34707	PACKING 16	1	48	188526	CAP	1
39	188551	PIPE ASSY/AMP2	1	49	186461	CLAMP	1
40	188553	PIPE ASSY/AMP2	1	50	188720	PIPE 7X230	1
41	186339	CLAMP CW-T	1	51	425-36235	BAND	1
42	186464	CLAMP 9	2	52	425-36152	BRACKET/SUB-TANK	1

AL 240 - ENGINE RADIATOR



Ref. No.	Part No.	Description	Qty.
1	055335	CLAMP/HOSE	4
2	176015	HOSE/RADIATOR UPPER	1
3	176016	HOSE/RADIATOR LOWER	1
4	176127	ASSY/RAD-OIL COOLER	1
5	176238	WDMT/FAN SHROUD	1
6	176278	MOUNT/RADIATOR	2
7	176846	VALVE/CHECK RELIEF	1
8	176376	STM M24C22 MBSPP34 **	2
9	201092	HOSE/MP 12 X 1524MM *	1
10	201093	HOSE/MP 12 X 737MM *	1
11	201118	HOSE/MP 12 X 283MM *	1
12	201179	HOSE/OVERFLOW	1
13	201236	TEM SV RN F24C22 M24C22 **	1
14	201481	MOUNT/CENTER BONDED	2

Ref. No.	Part No.	Description	Qty.
15	270069	90M SV F24C22 M24C22 **	1
16	270104	WASHER/HEAD	2
17	270105	WASHER/TAIL	2
18	425-36233	WATER BOTTLE	1
19	651695	CS FL M8-1.25X25 C8.8 ZY DIN1662	8
20	656011	CS M10-1.5X45 C8.8 ZY DIN931	2
21	651706	LN INST FL M8-1.25 C8 ZY DIN6926	8
22	651707	LN INST FL M10-1.50 C8 ZY DIN6926	2
23	139476	CAP/RADIATOR	1
24	651689	CS FL M8-1.25X20 C8.8 ZY DIN1662	8

* See Page 87 for o-ring information.

** See Page 88 for o-ring/seal information.

Part No.	Page No.	Ref. No.	Part No.	Page No.	Ref. No.	Part No.	Page No.	Ref. No.
176885	33	6	186602	58	13	188548	57	8
176886	31	9	186607	63	113	188549	58	1
176911	21	6	186675	62	72	188550	58	15
176912	21	7	186676	62	58	188550	66	3
183575	41	9	186676	62	59	188551	59	39
183822	26	3	186678	62	48	188552	59	43
183825	26	3	188439	65	11	188553	59	40
183826	26	3	188447	64	13	188554	59	44
183963	44	23	188452	50	9	188555	64	46
183963	46	23	188465	53	43	188556	64	50
184306	44	24	188466	53	44	188557	64	54
184306	46	24	188467	53	45	188558	54	1
184331	18	18	188469	53	46	188559	52	21
184711	44	8	188470	52	6	188561	54	3
184711	46	8	188471	52	7	188562	57	15
184860	44	19	188472	52	8	188563	57	17
184860	46	19	188479	56	16	188564	57	33
185643	50	20	188485	60	18	188565	57	35
185644	50	22	188487	60	37	188570	65	4
185645	50	23	188488	58	10	188571	65	6
186308	48	15	188490	63	128	188572	65	7
186308	65	13	188491	64	6	188573	51	1
186337	53	31	188492	48	16	188573	51	14
186339	59	41	188493	64	59	188573	57	2
186340	2	6	188494	64	61	188574	51	15
186340	65	16	188502	53	34	188578	58	3
186375	55	4	188507	53	25	188579	58	4
186461	59	49	188512	58	8	188586	67	1
186464	59	42	188517	64	66	188596	52	11
186464	59	45	188526	59	48	188597	52	9
186464	64	60	188535	54	4	188603	56	2
186464	64	63	188537	50	11	188632	54	2
186467	65	1	188539	53	41	188640	51	18
186468	60	38	188540	52	3	188668	60	16
186473	64	44	188541	52	4	188679	52	1
186481	64	62	188542	53	48	188686	58	11
186484	66	1	188543	53	40	188688	65	8
186598	53	49	188544	52	10	188691	65	10
186598	53	50	188545	53	33	188692	56	17
186600	60	40	188546	55	7	188712	56	18

CLICK HERE TO **DOWNLOAD** THE COMPLETE MANUAL

- Thank you very much for reading the preview of the manual.
- You can download the complete manual from: www.heydownloads.com by clicking the link below



- Please note: If there is no response to CLICKING the link, please download this PDF first and then click on it.

CLICK HERE TO **DOWNLOAD** THE COMPLETE MANUAL