



GEHL

750

AL750

Articulated Loader Parts Manual

50940376 Rev. G 02/22

CLICK HERE TO **DOWNLOAD** THE COMPLETE MANUAL

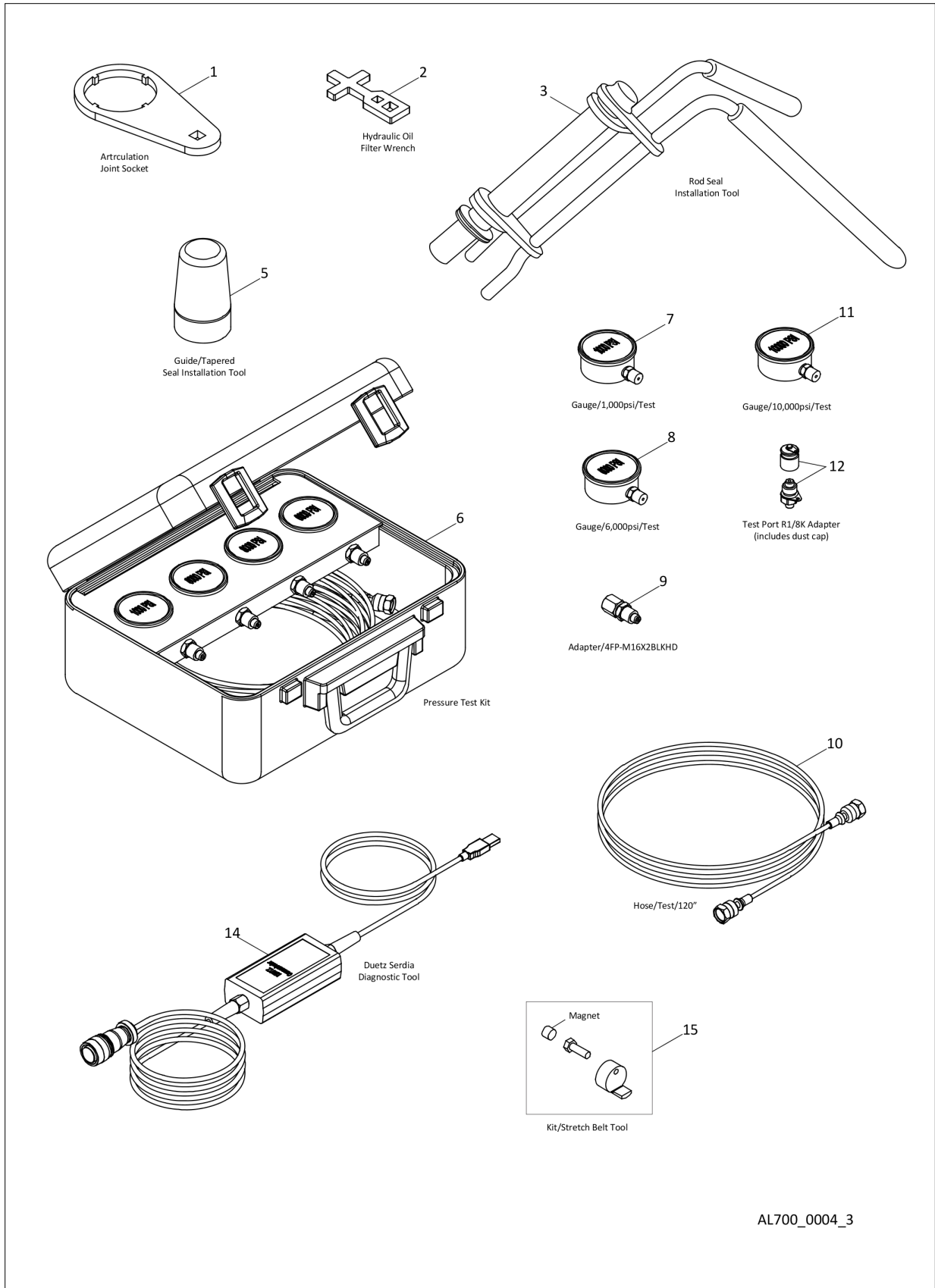
- Thank you very much for reading the preview of the manual.
- You can download the complete manual from: www.heydownloads.com by clicking the link below



- Please note: If there is no response to CLICKING the link, please download this PDF first and then click on it.

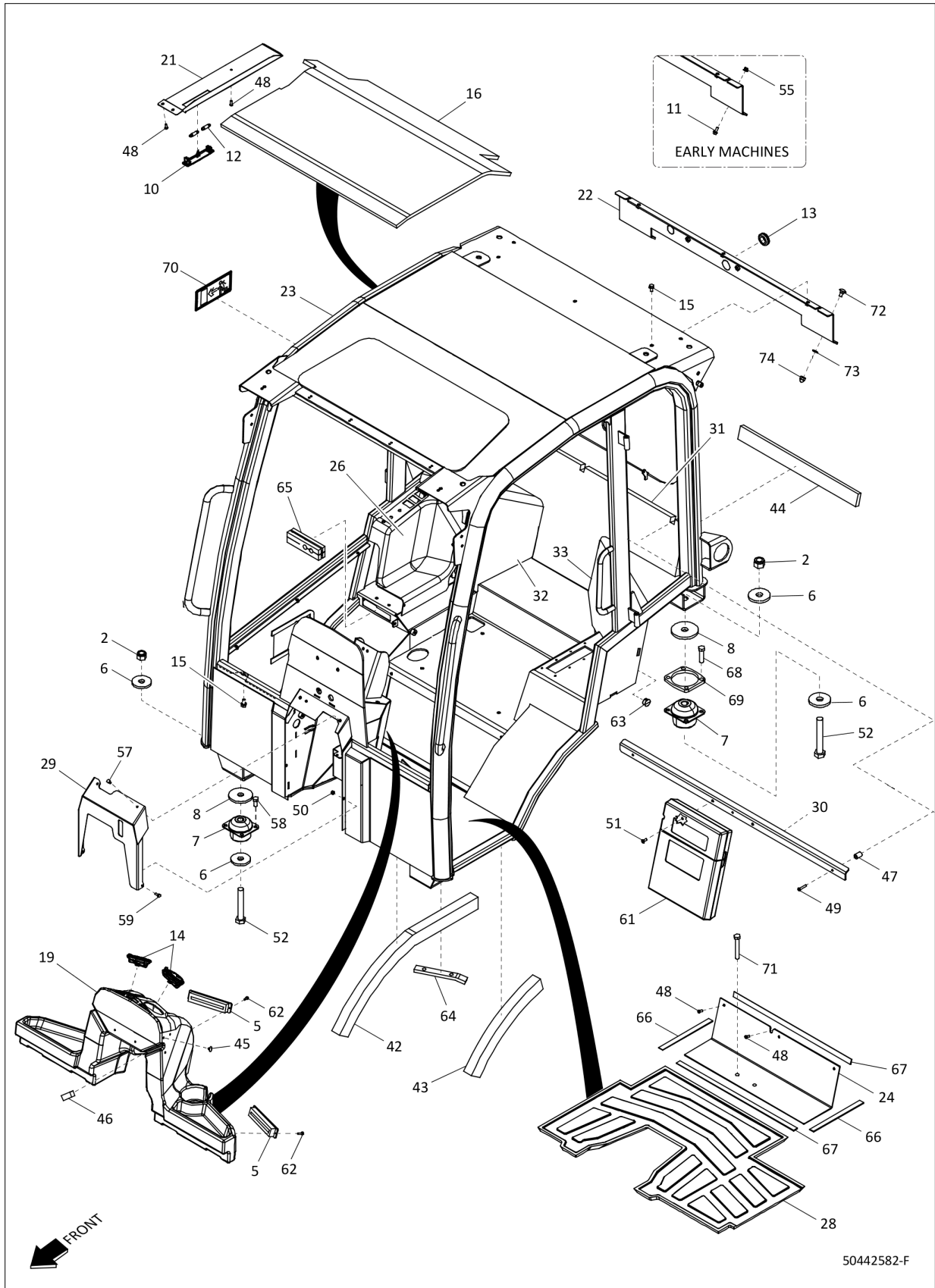
CLICK HERE TO **DOWNLOAD** THE COMPLETE MANUAL

Service Parts and Filters Specialty Tools

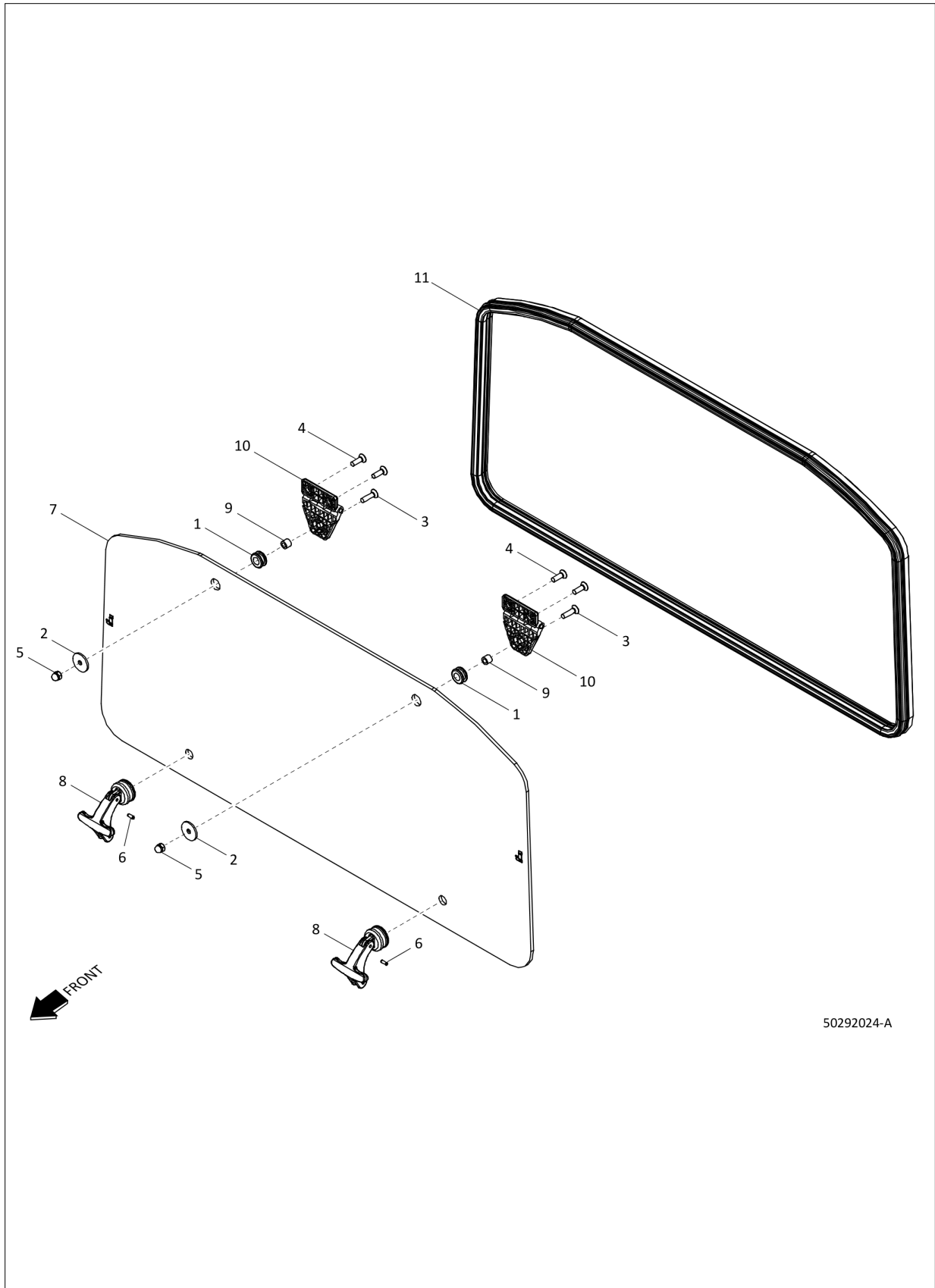


AL700_0004_3

Cab ROPS/FOPS Cab

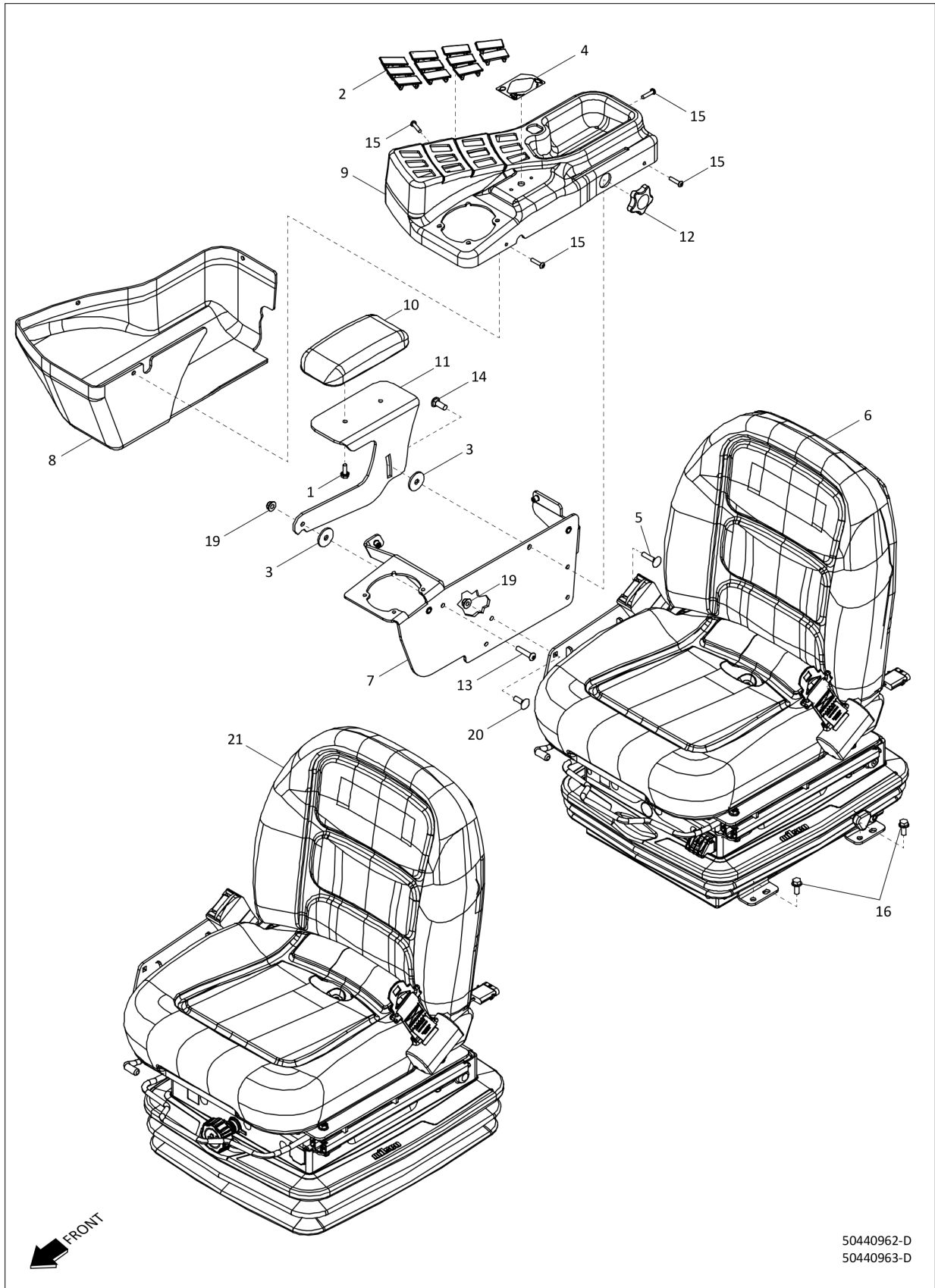


Cab Cab Rear Window



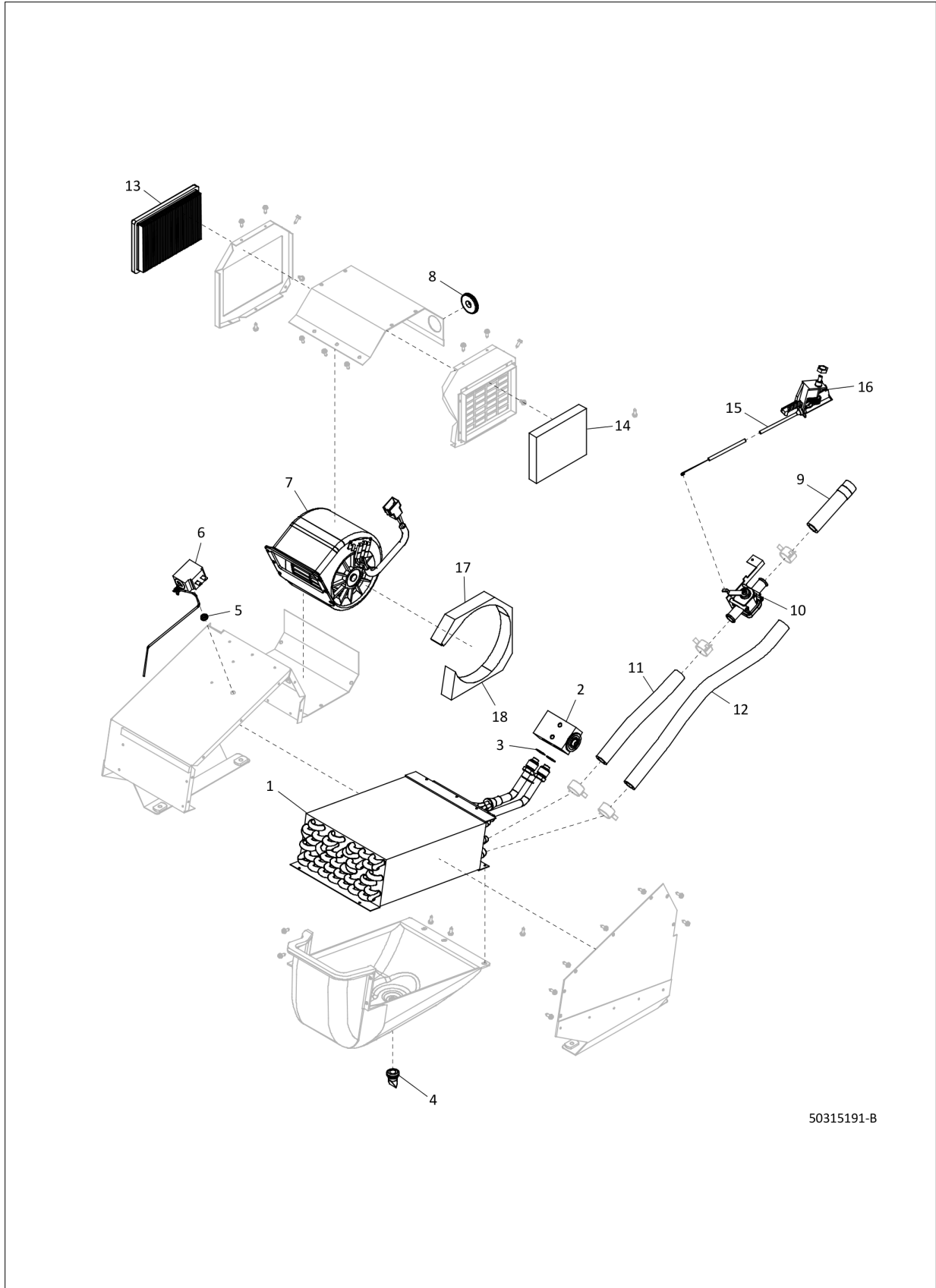
50292024-A

Cab Seat and Armrest



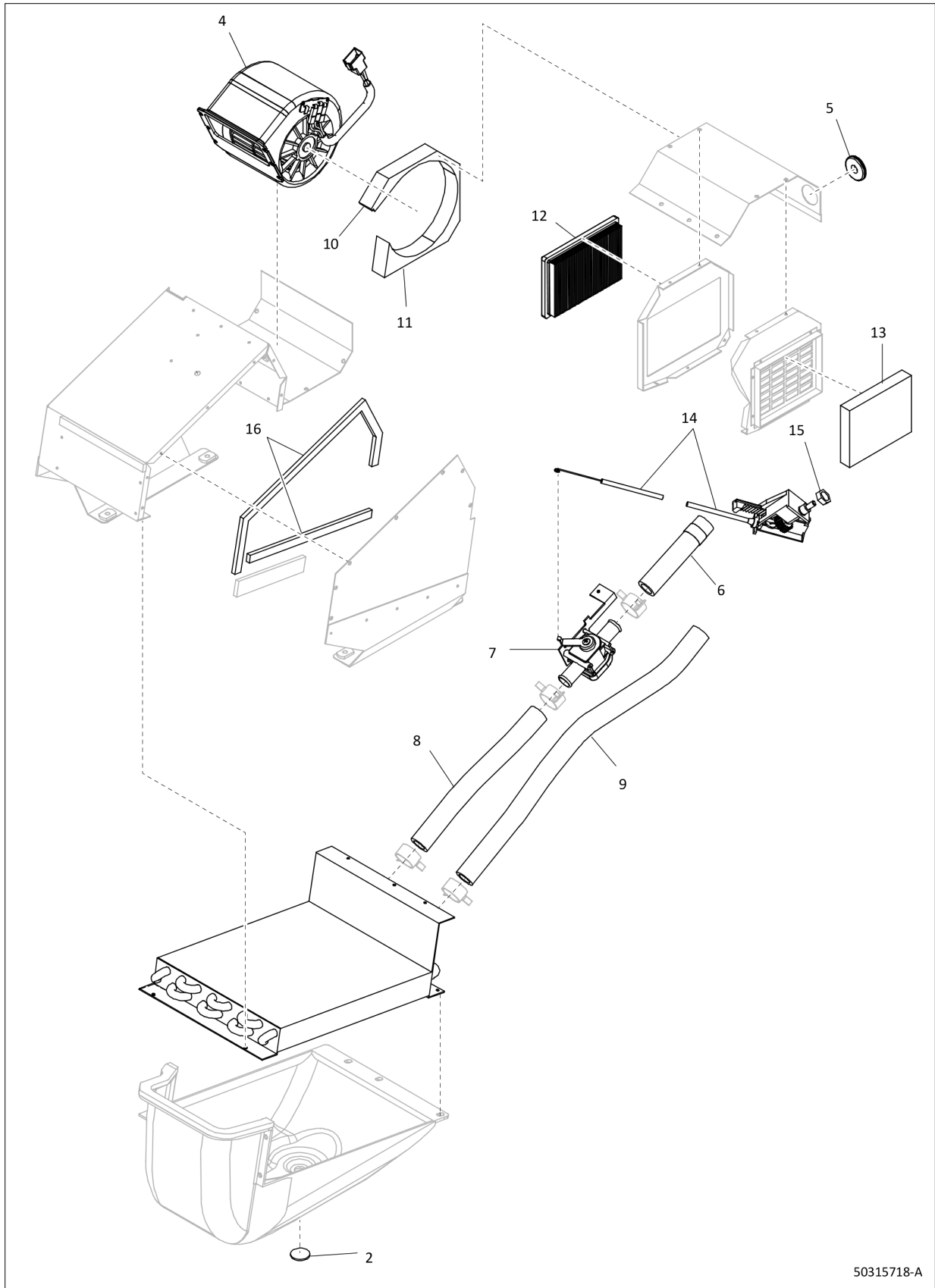
50440962-D
50440963-D

Cab 50315191 Heater / Air Conditioning Kit



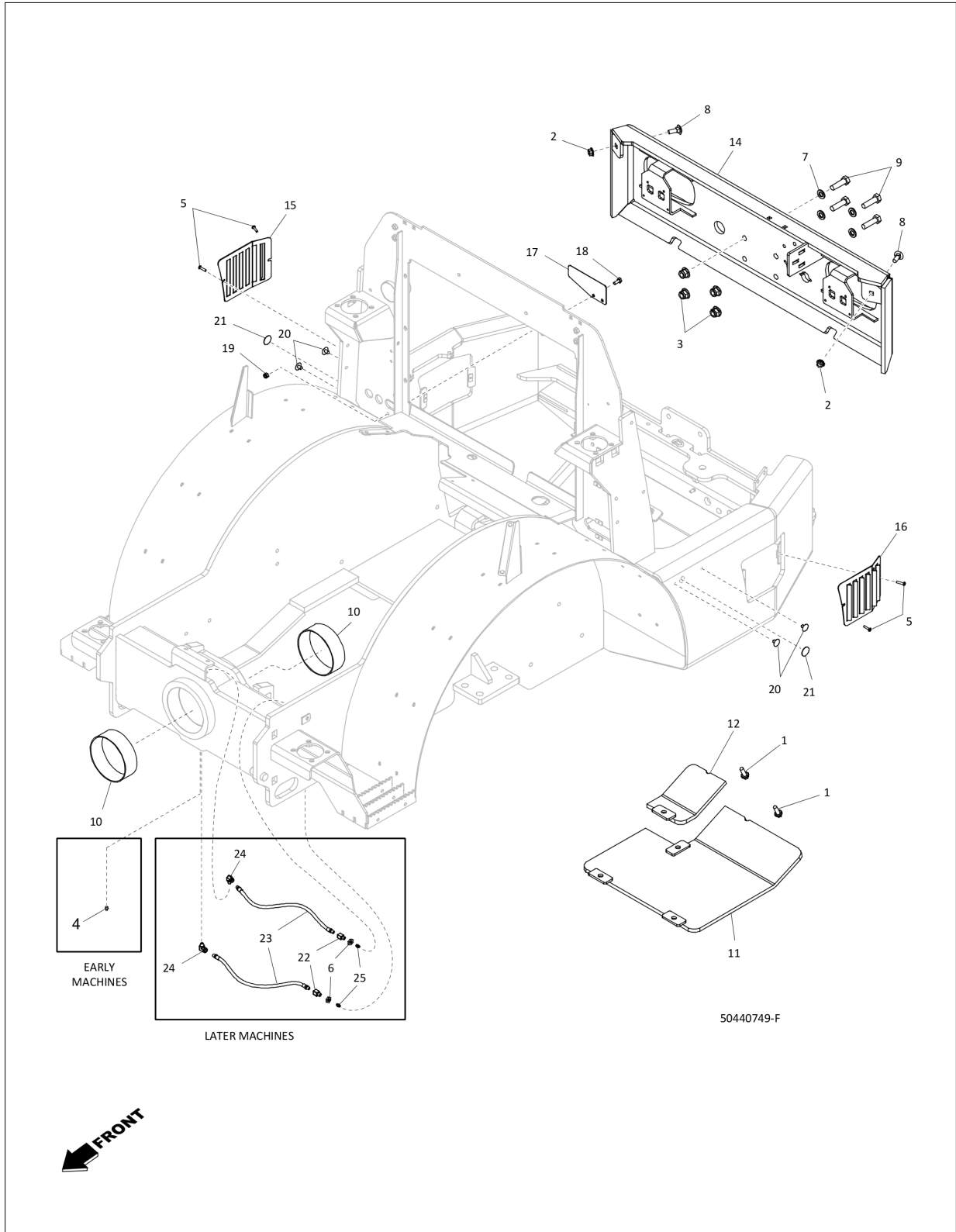
50315191-B

Cab Heater Assembly

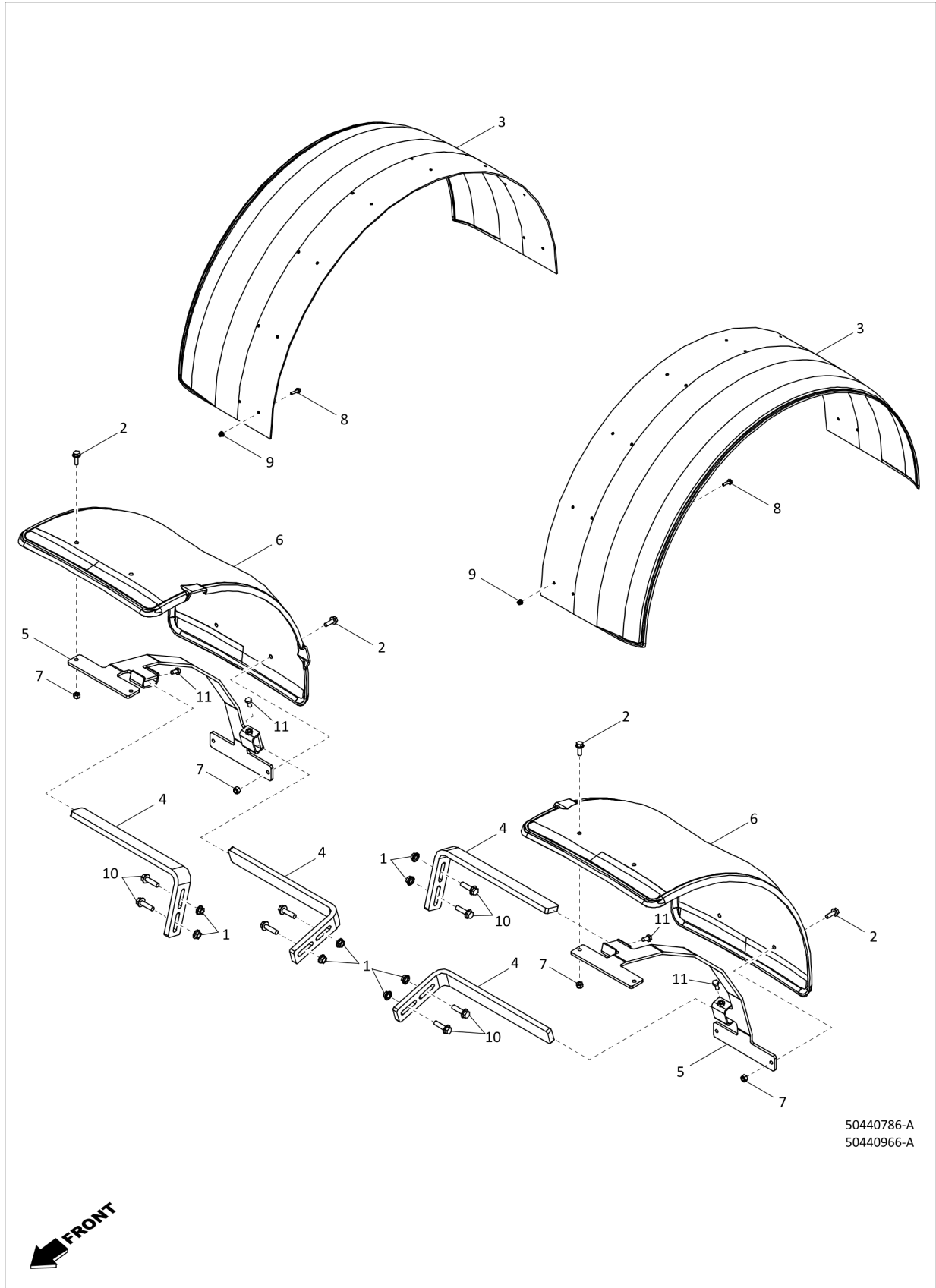


50315718-A

Chassis Rear Chassis - SN 00070175 and Before

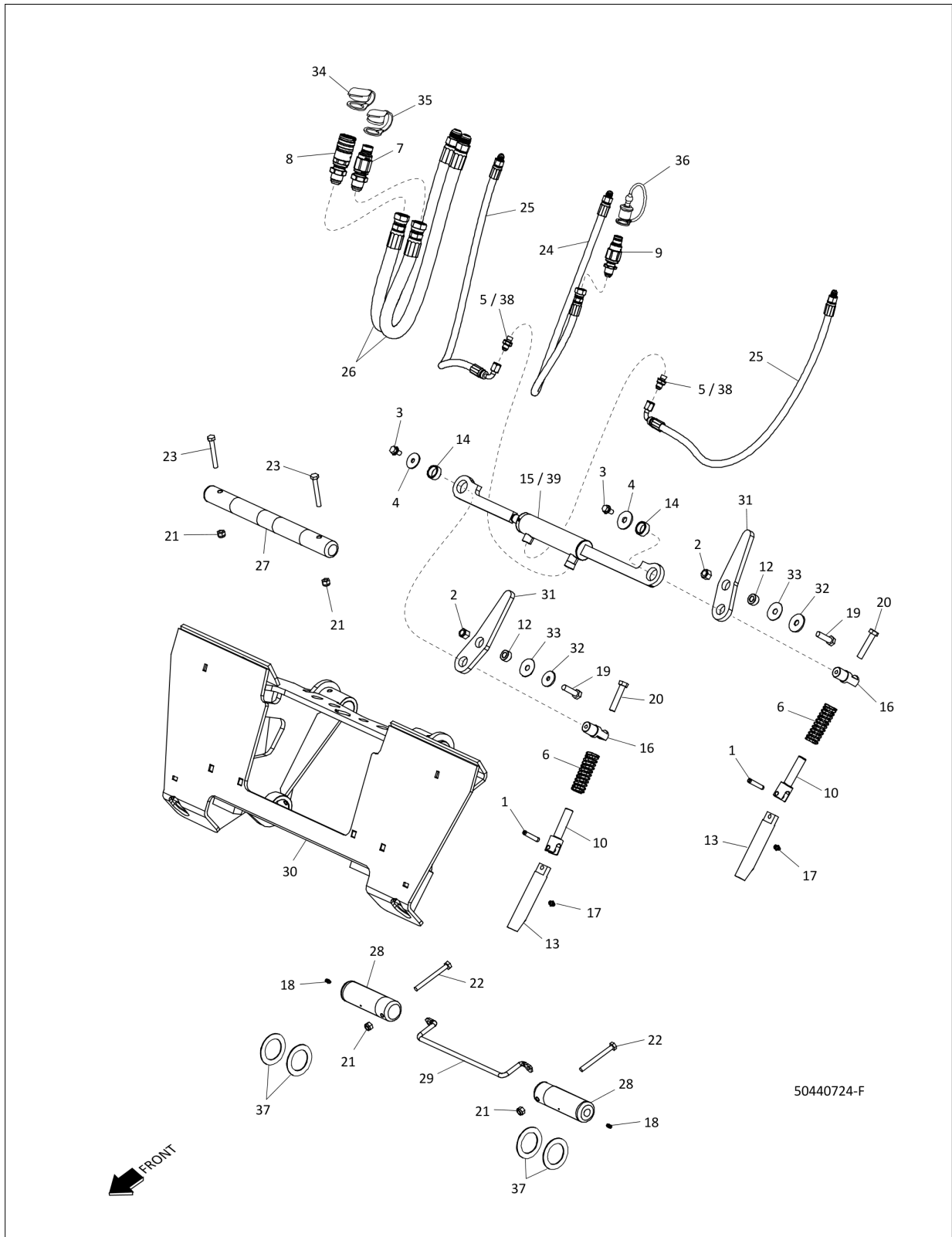


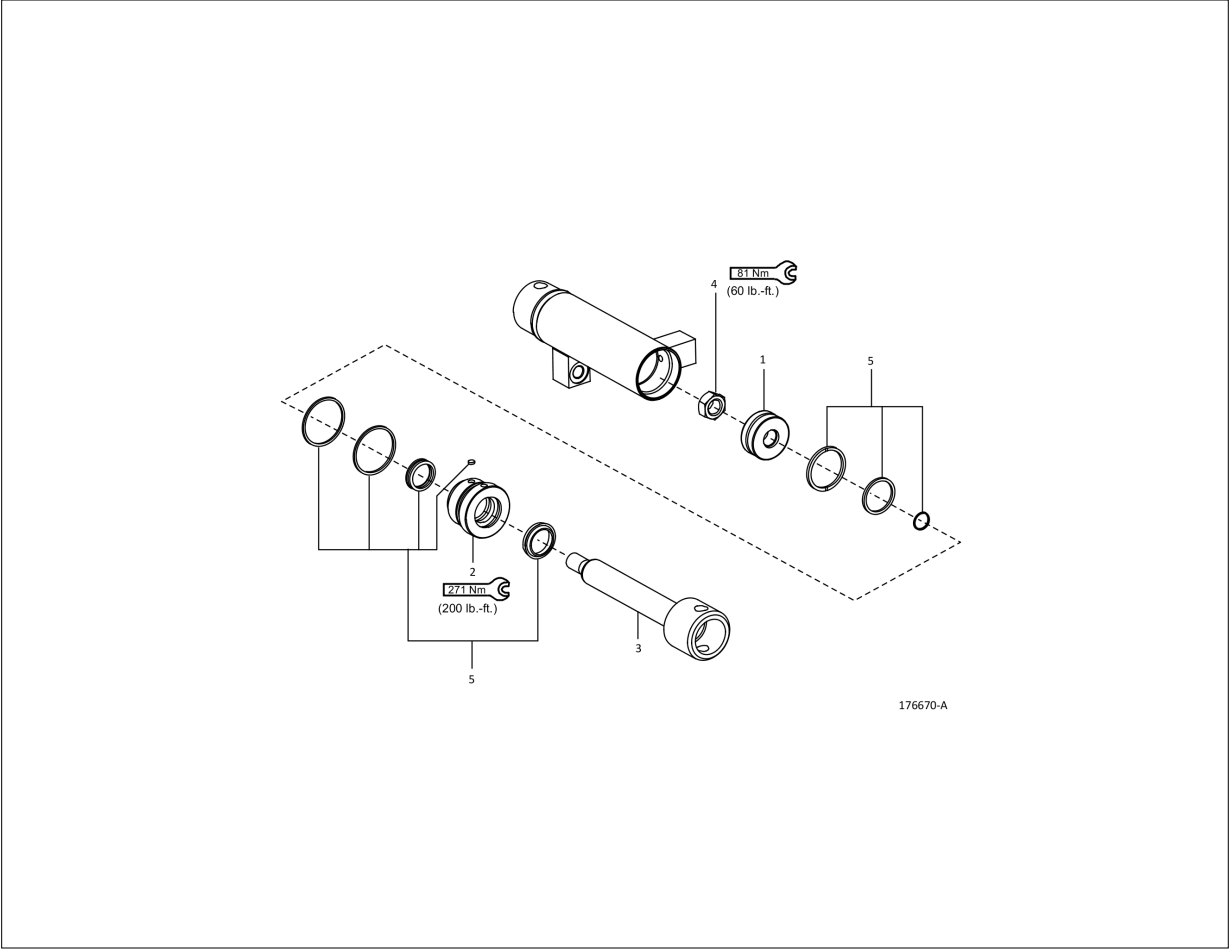
Chassis Fenders



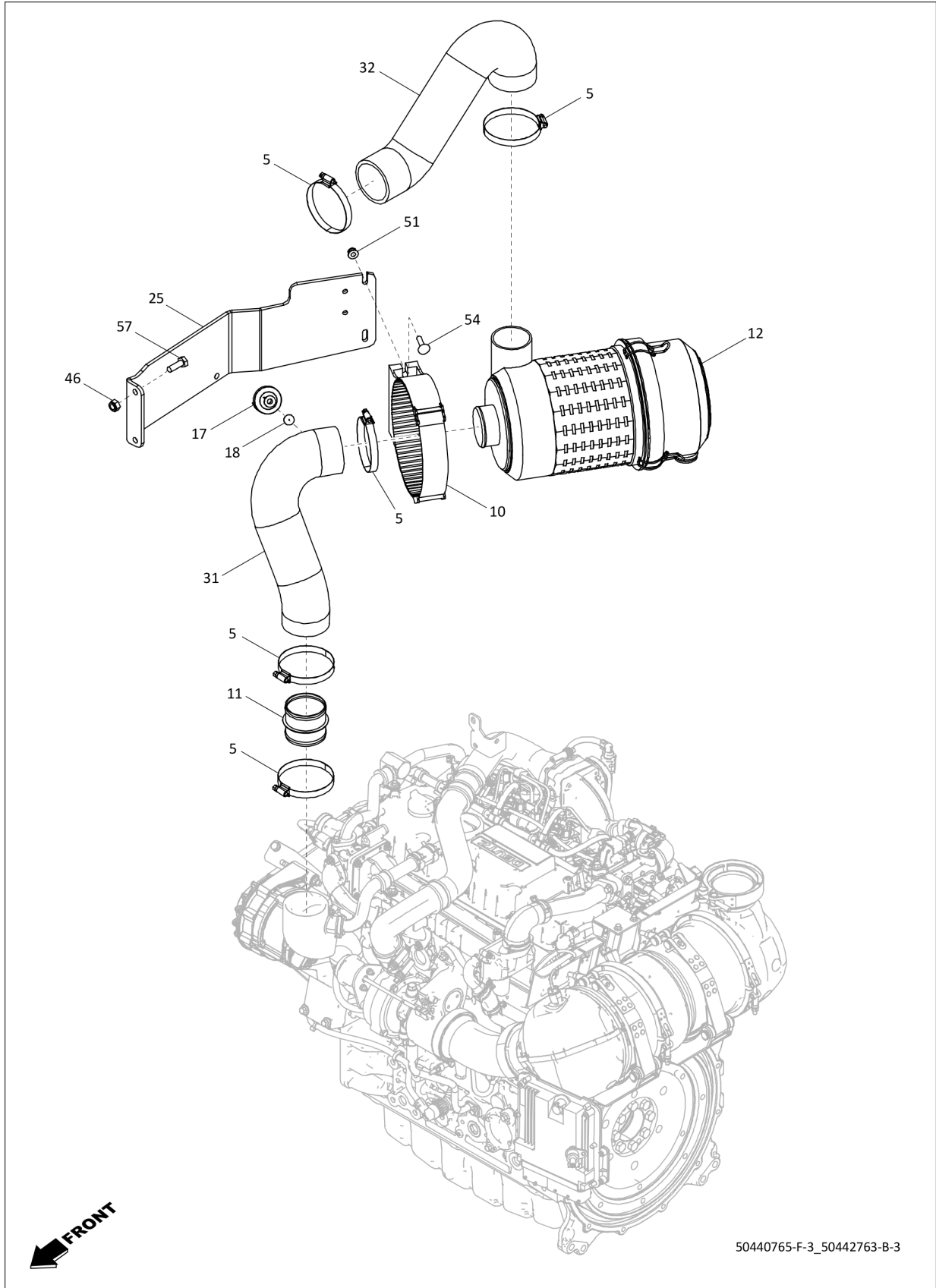
50440786-A
50440966-A

Lift Structure Powered Attach

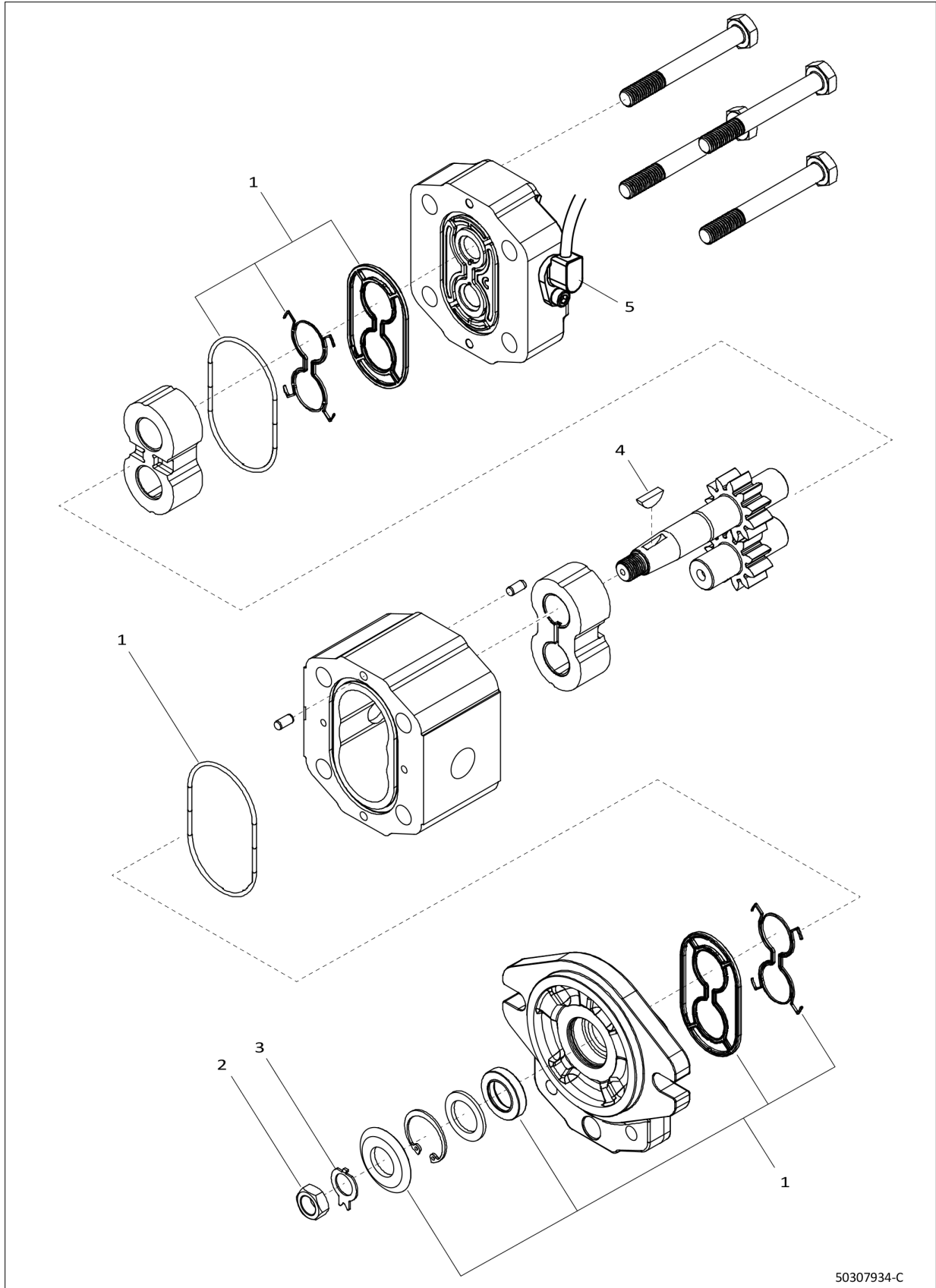




Engine / Power Air Cleaner

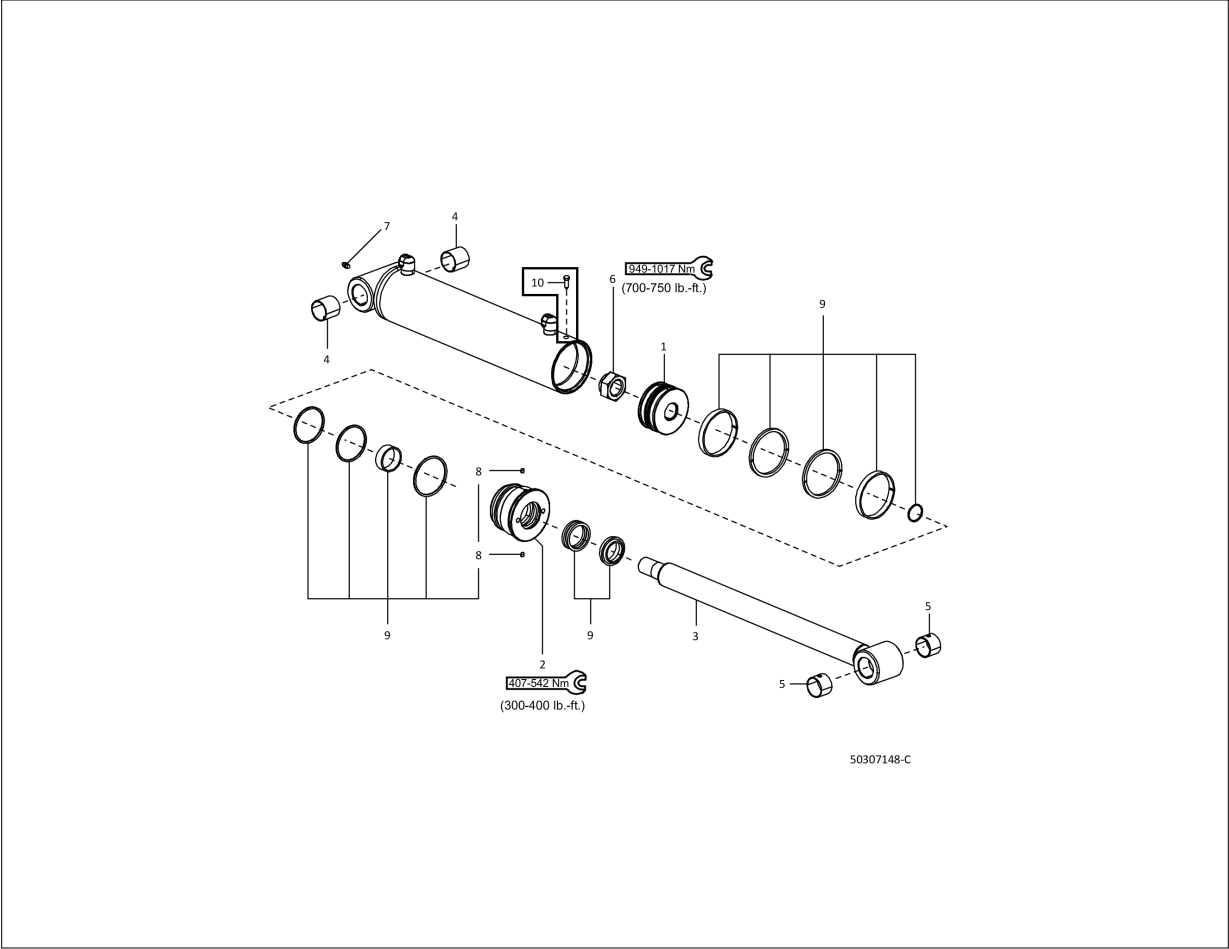


50440765-F-3_50442763-B-3

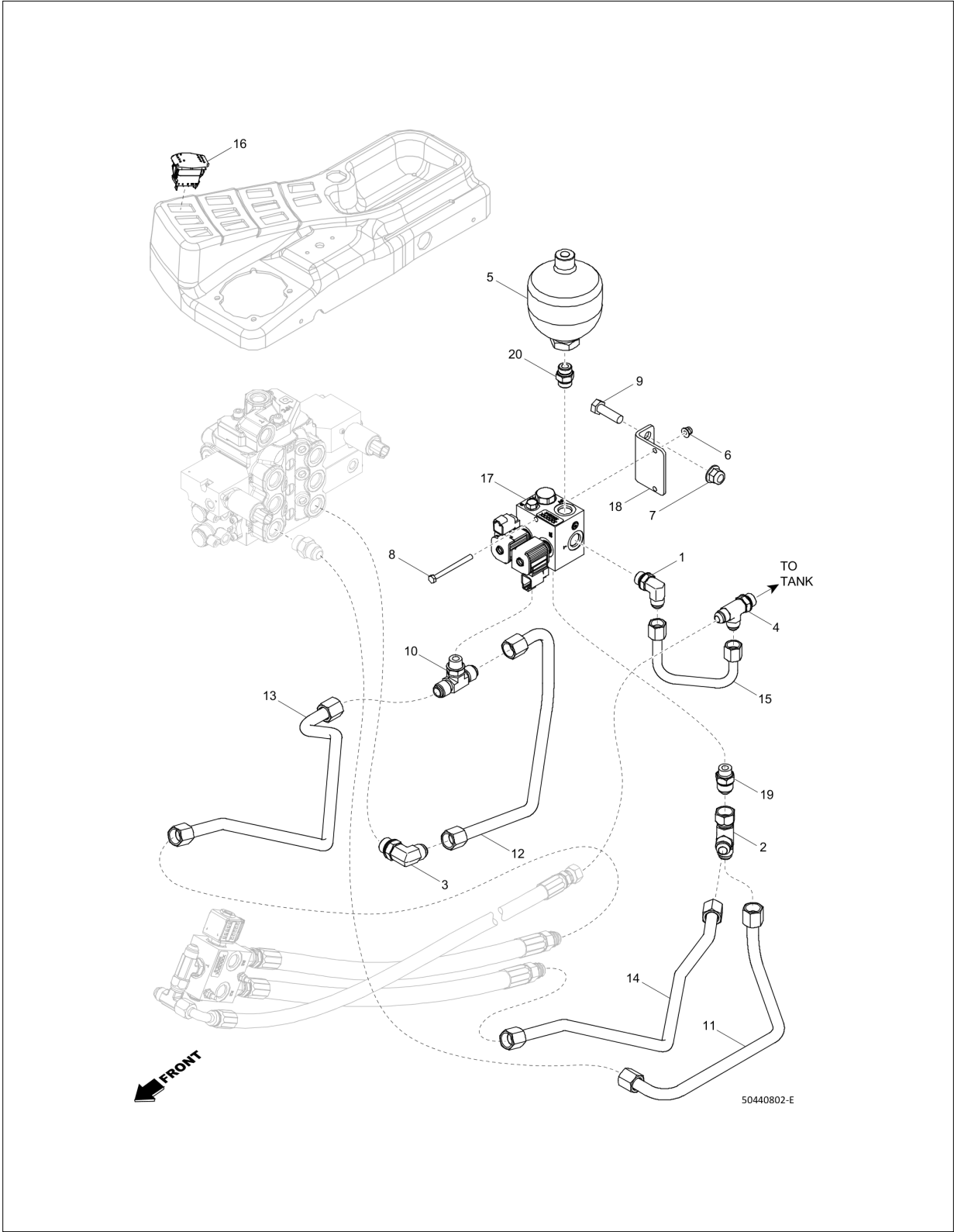


50307934-C

Hydraulics 50307148 Tilt Cylinder



Hydraulics Hydraglide (Option)



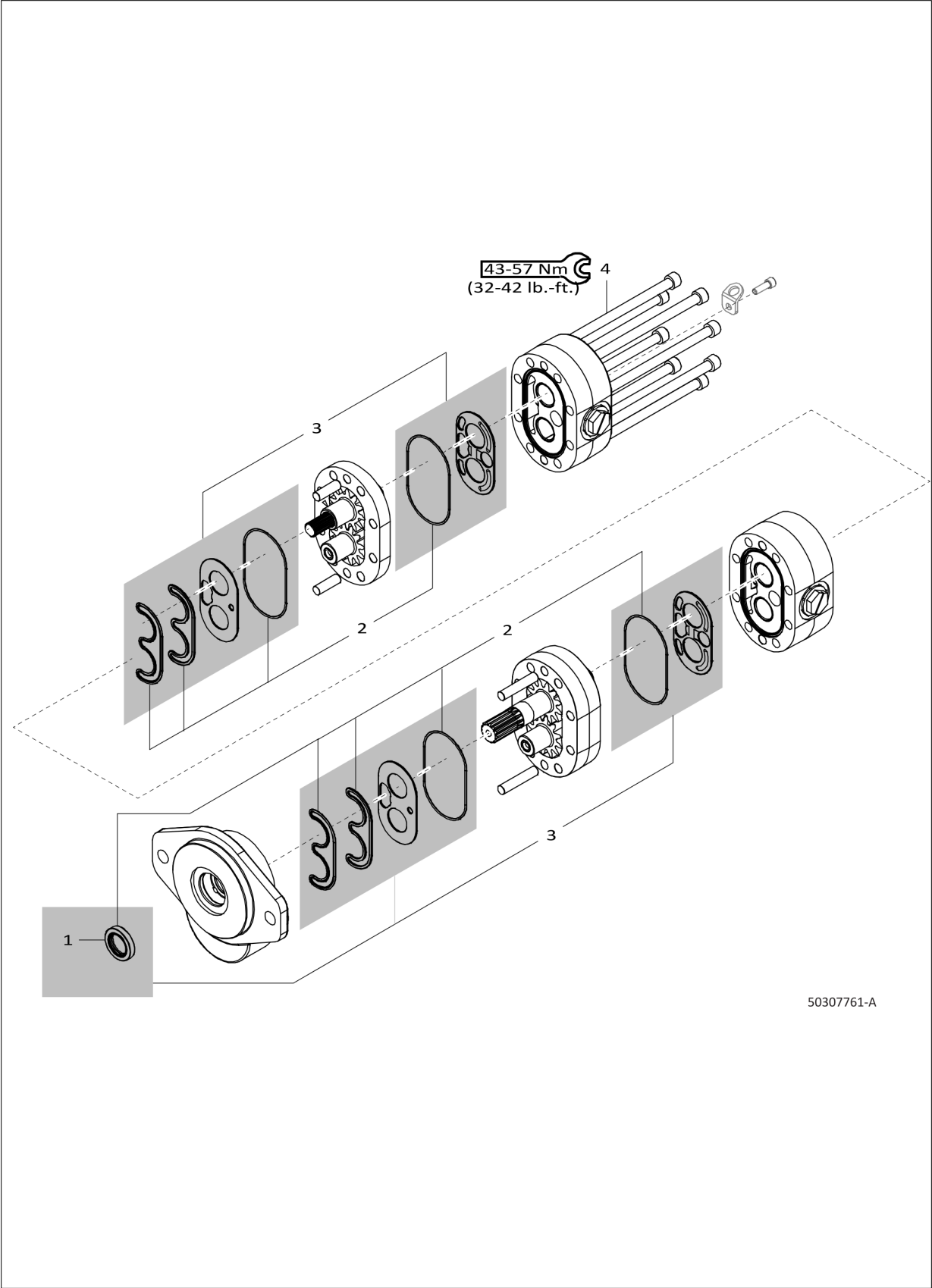
CLICK HERE TO **DOWNLOAD** THE COMPLETE MANUAL

- Thank you very much for reading the preview of the manual.
- You can download the complete manual from: www.heydownloads.com by clicking the link below

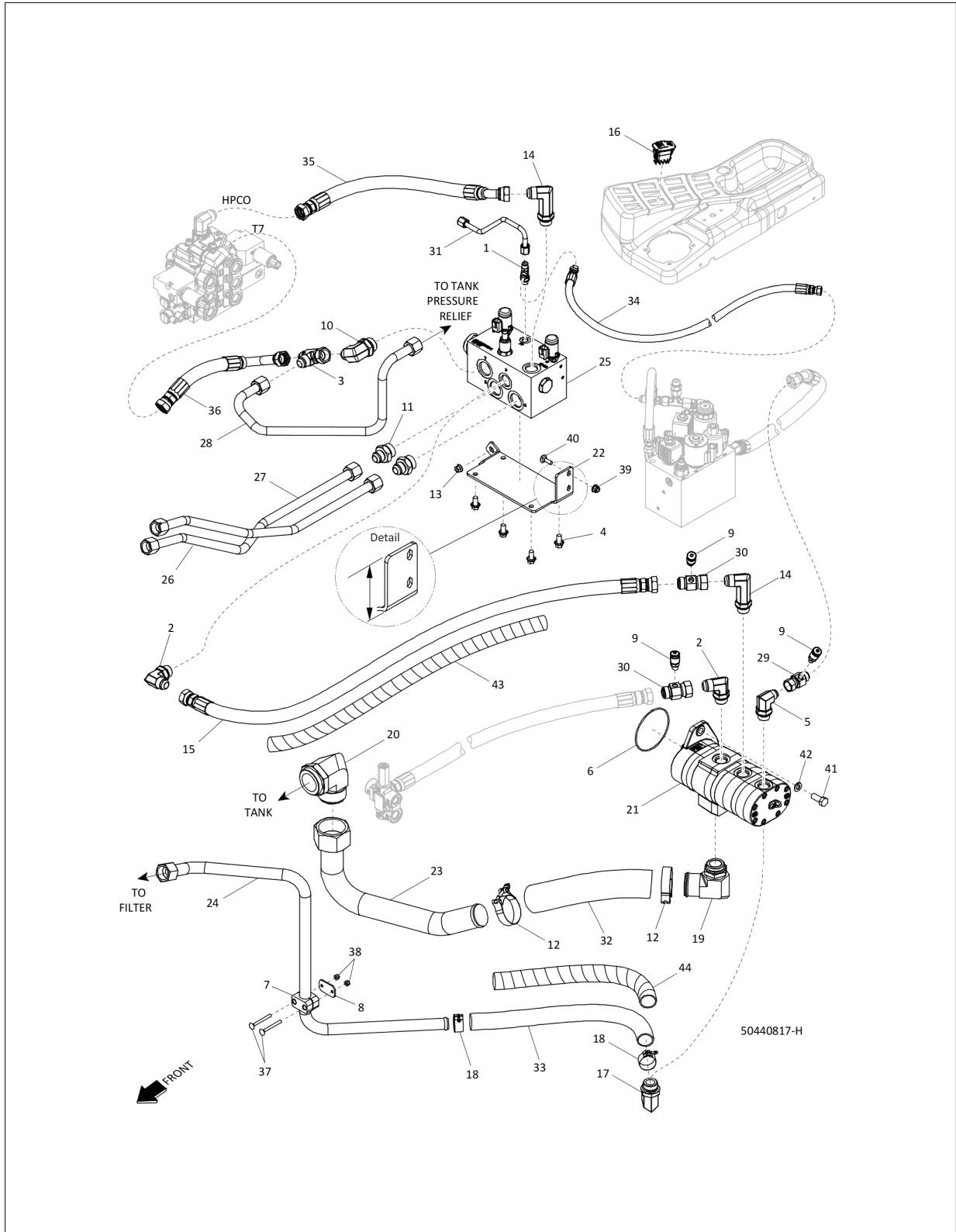


- Please note: If there is no response to CLICKING the link, please download this PDF first and then click on it.

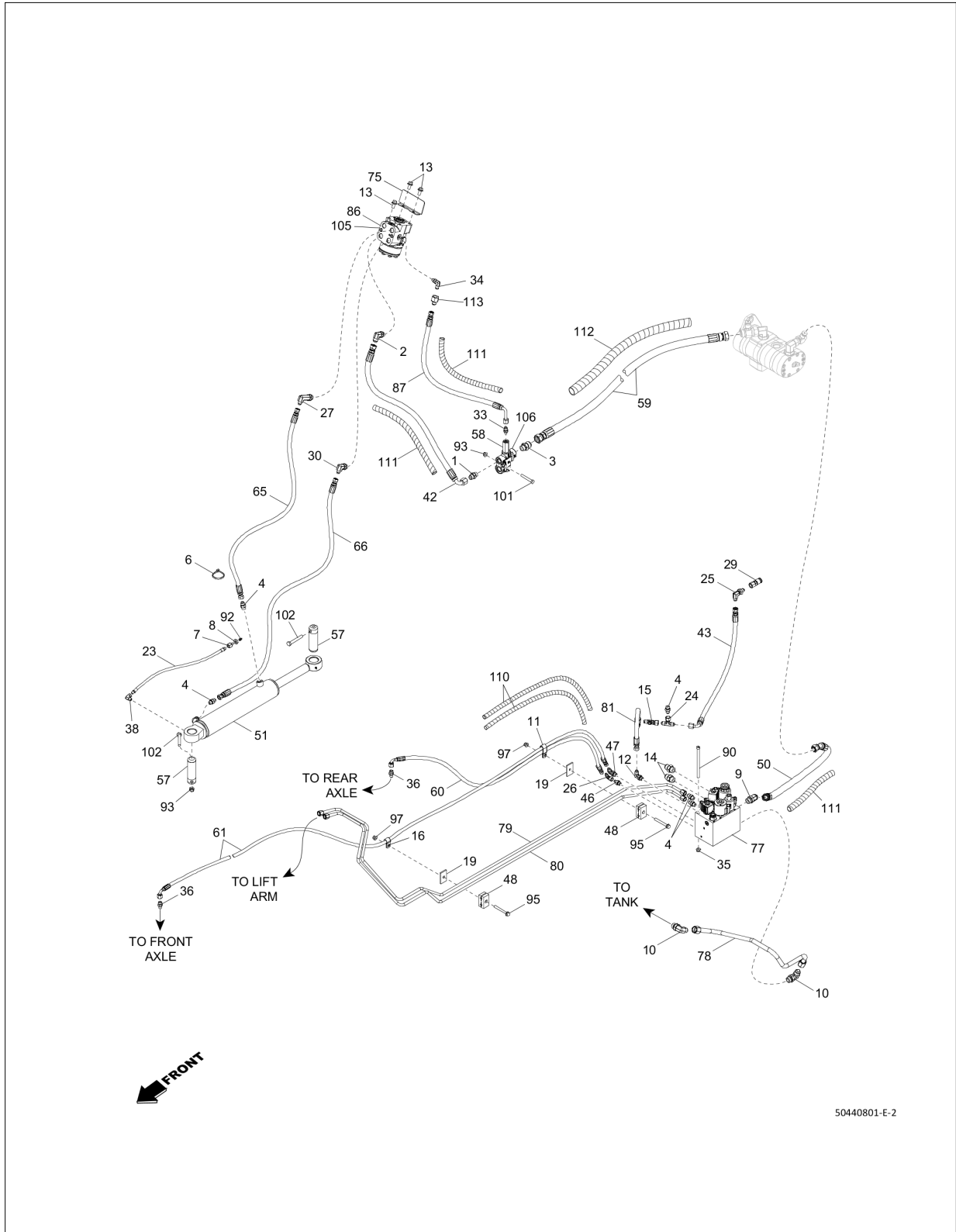
CLICK HERE TO **DOWNLOAD** THE COMPLETE MANUAL

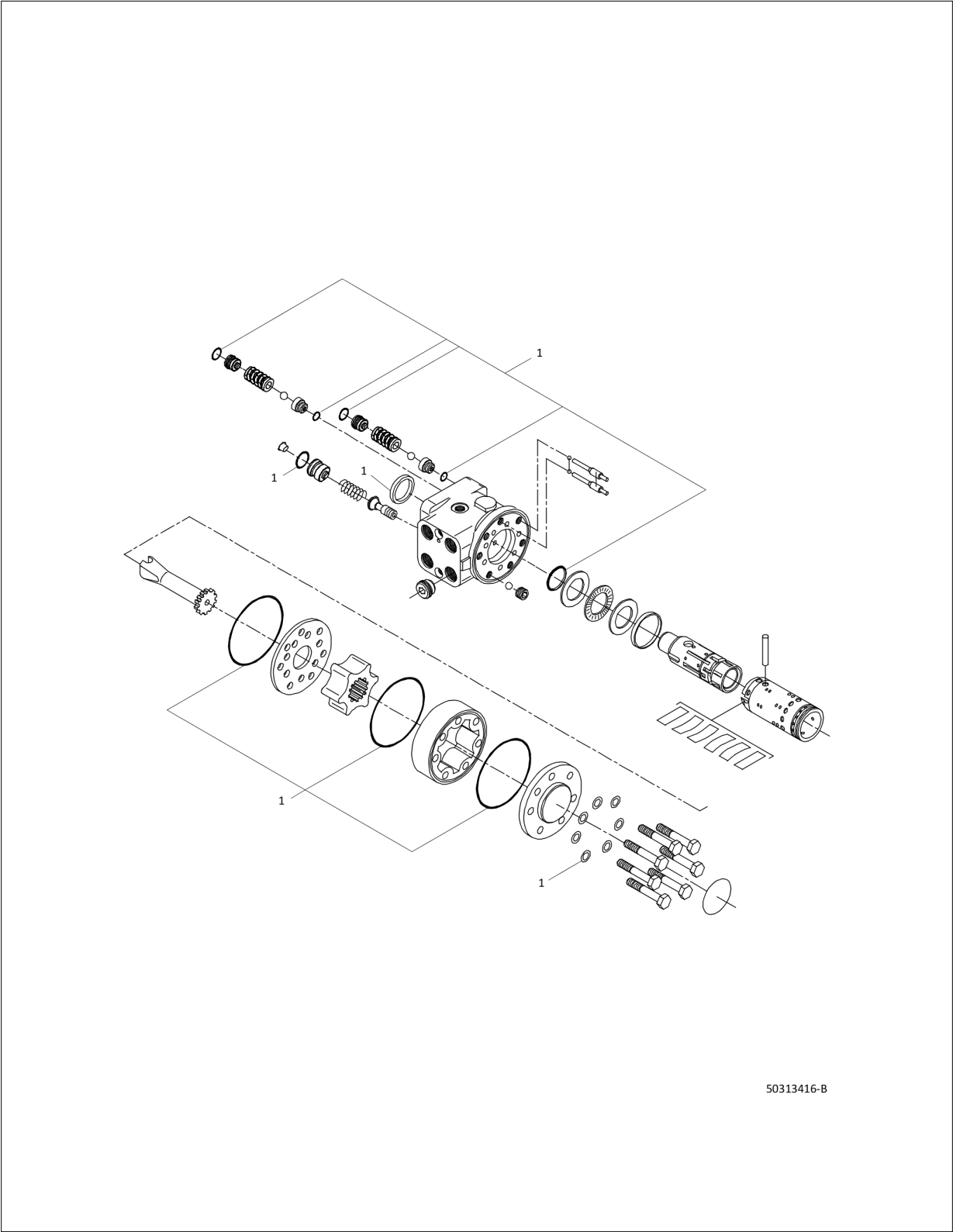


50307761-A



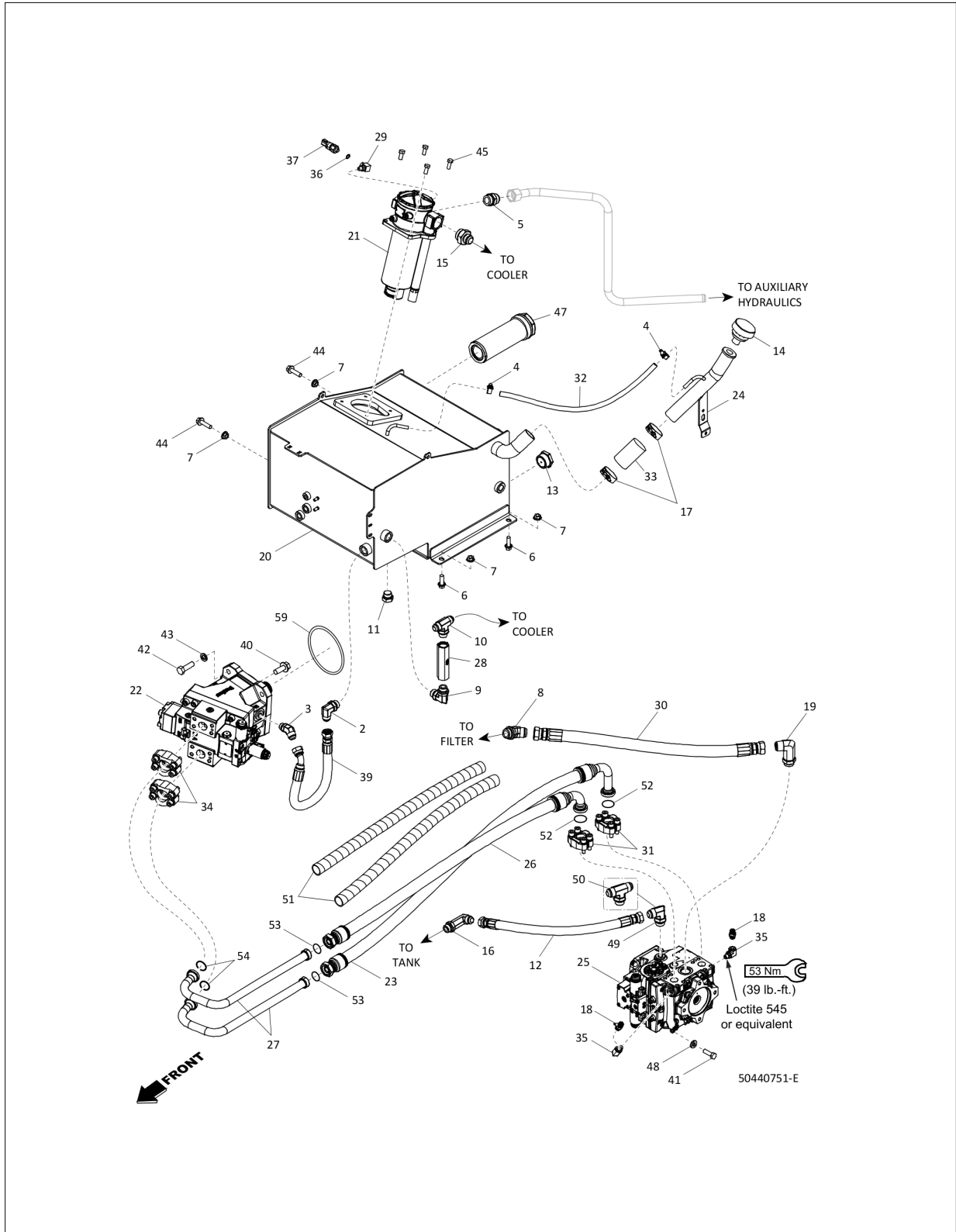
| Item | Part No. | Name | Qty | Remarks |
|------|----------|---------------------------------------|-----|---------|
| 82 | 50311414 | DECAL/JOYSTICK 6/7 | 1 | |
| 83 | 50311420 | SLEEVE/NYLON 2.5IN X 30IN | 1 | |
| 84 | 50311447 | FOAM/PILOT HOSE SEAL | 1 | |
| 85 | 50311515 | EDGE GUARD 0.25" | 1 | |
| 88 | 50352494 | Y MJ06-MJ06-MORB06 | 1 | |
| 89 | 50657056 | CS M8-1.25X140 C8.8 ZY DIN931 | 1 | |
| 91 | 50657064 | BHSCS M8-1.25X35 C10.9 OCB ISO7380 | 1 | |
| 93 | 651448 | LN INS M10-1.5 C8 ZY DIN985 | 2 | |
| 94 | 651629 | CS M8-1.25X110 C10.9 ZY DIN931 | 1 | |
| 96 | 651705 | LN INST FL M6-1.00 C8 ZY DIN6926 | 2 | |
| 97 | 651706 | LN INST FL M8-1.25 C8 ZY DIN6926 | 2 | |
| 98 | 651713 | CB M8-1.25X25 C8.8 ZY DIN603 | 2 | |
| 99 | 651802 | CB M6-1.00X45 C4.6 ZY DIN603 | 2 | |
| 100 | 651807 | FW 1/4 AWZB | 1 | |
| 103 | 184104 | COIL | 1 | |
| 104 | 184117 | CARTRIDGE | 1 | |
| 107 | 054820 | Tee RUN MJ06-MAORB06-MJ06 | 1 | |
| 110 | 50314127 | GUARD/POLY HOSE 0.5X12IN | 2 | |
| 114 | 651759 | CS FL M6-1.00X30 8.8 ZY DIN6921 | 4 | |
| 115 | 50316247 | PLATE/BOOT RETAINER | 2 | |
| 116 | 651705 | LN INST FL M6-1.00 C8 ZY DIN6926 | 8 | |
| 117 | 50326540 | PLATE/CLAMP | 1 | |
| 118 | 210807 | ST MJ06-MORB06 ORIFICE | 2 | |
| 119 | 50314635 | HOSE/HYD -06 X 64IN | 1 | |
| 120 | 194703 | HOSE/MP .375 X 54 | 1 | |

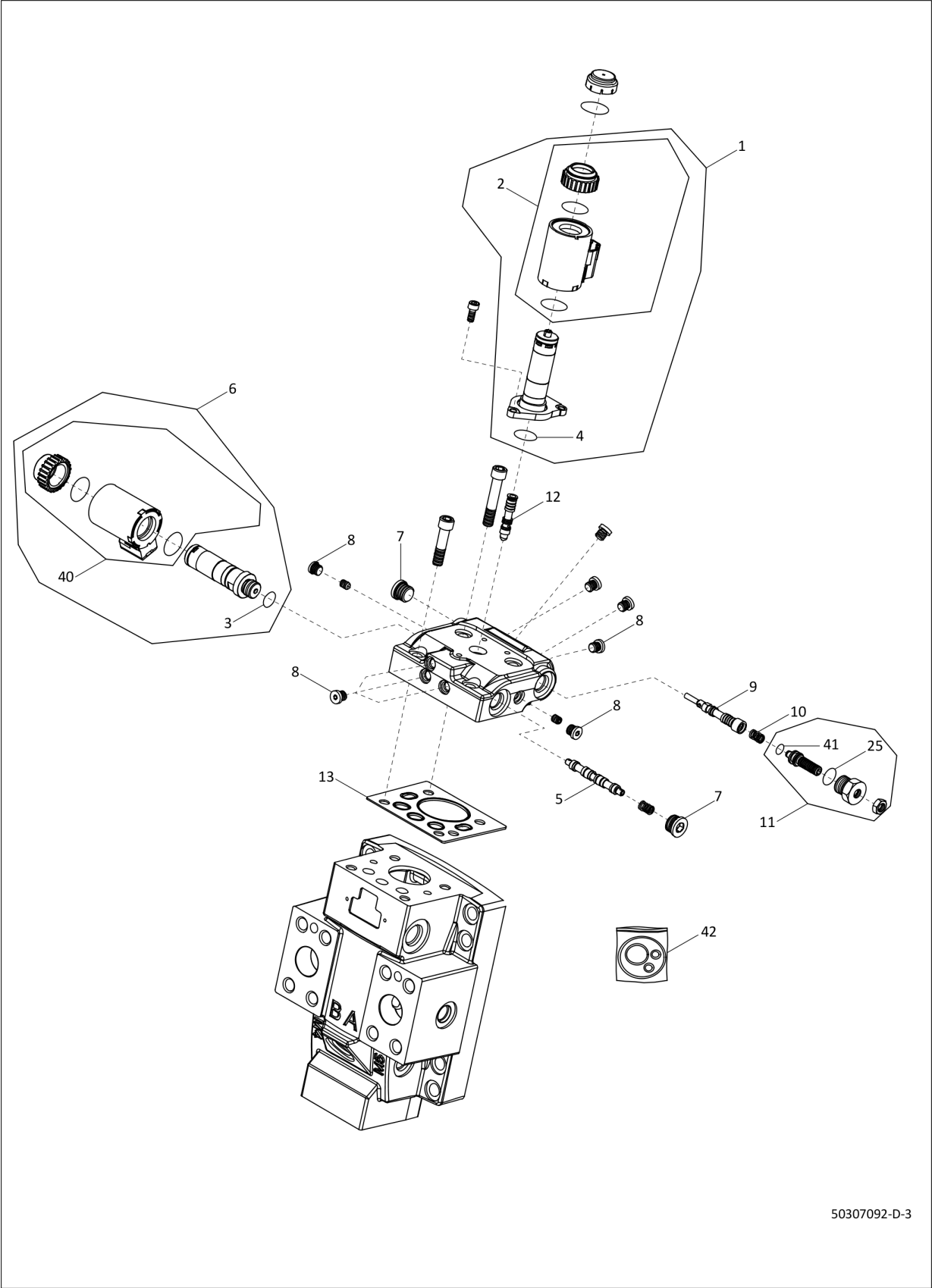




50313416-B

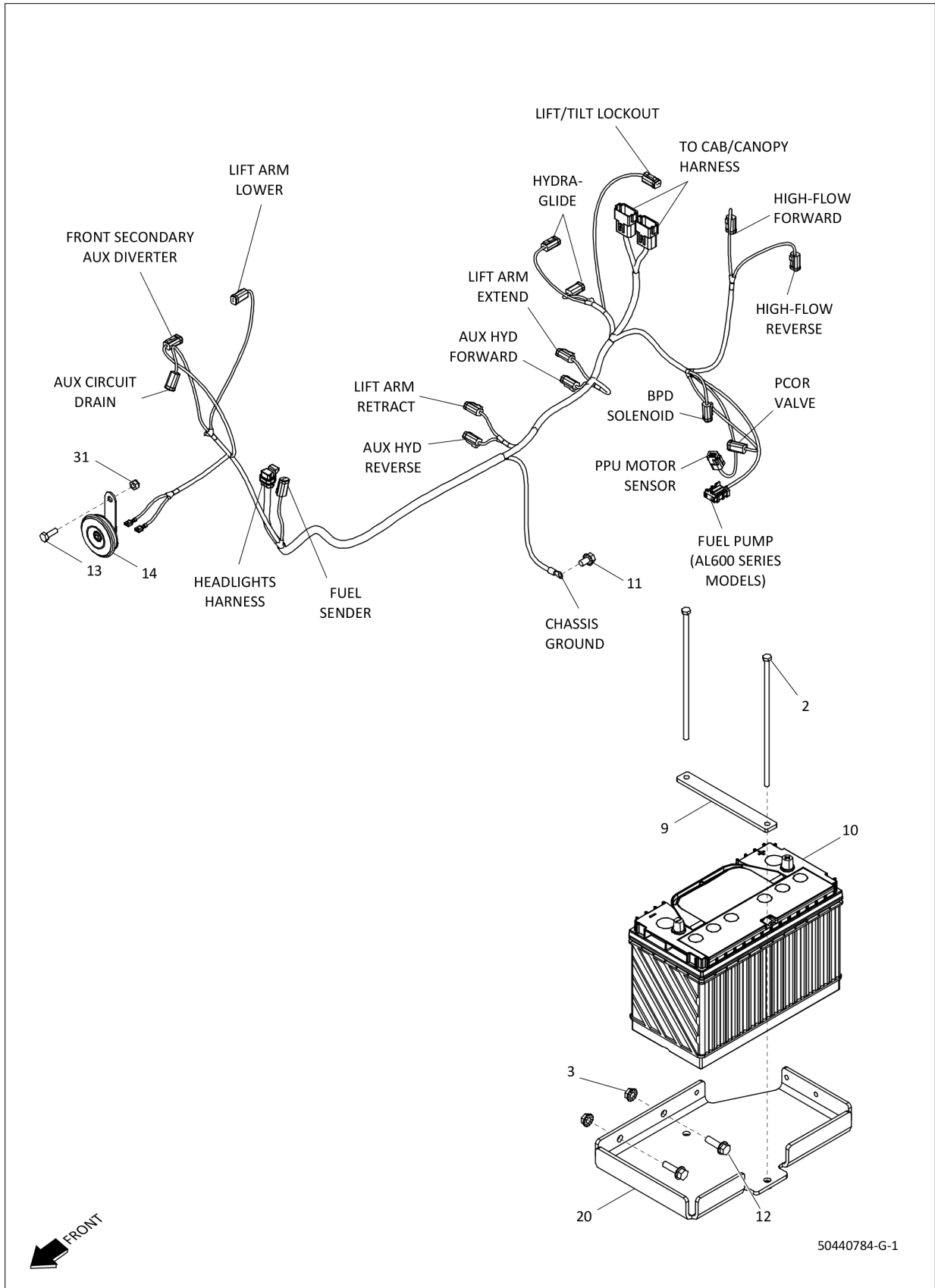
Hydraulics Drive Circuit (Early Machines)

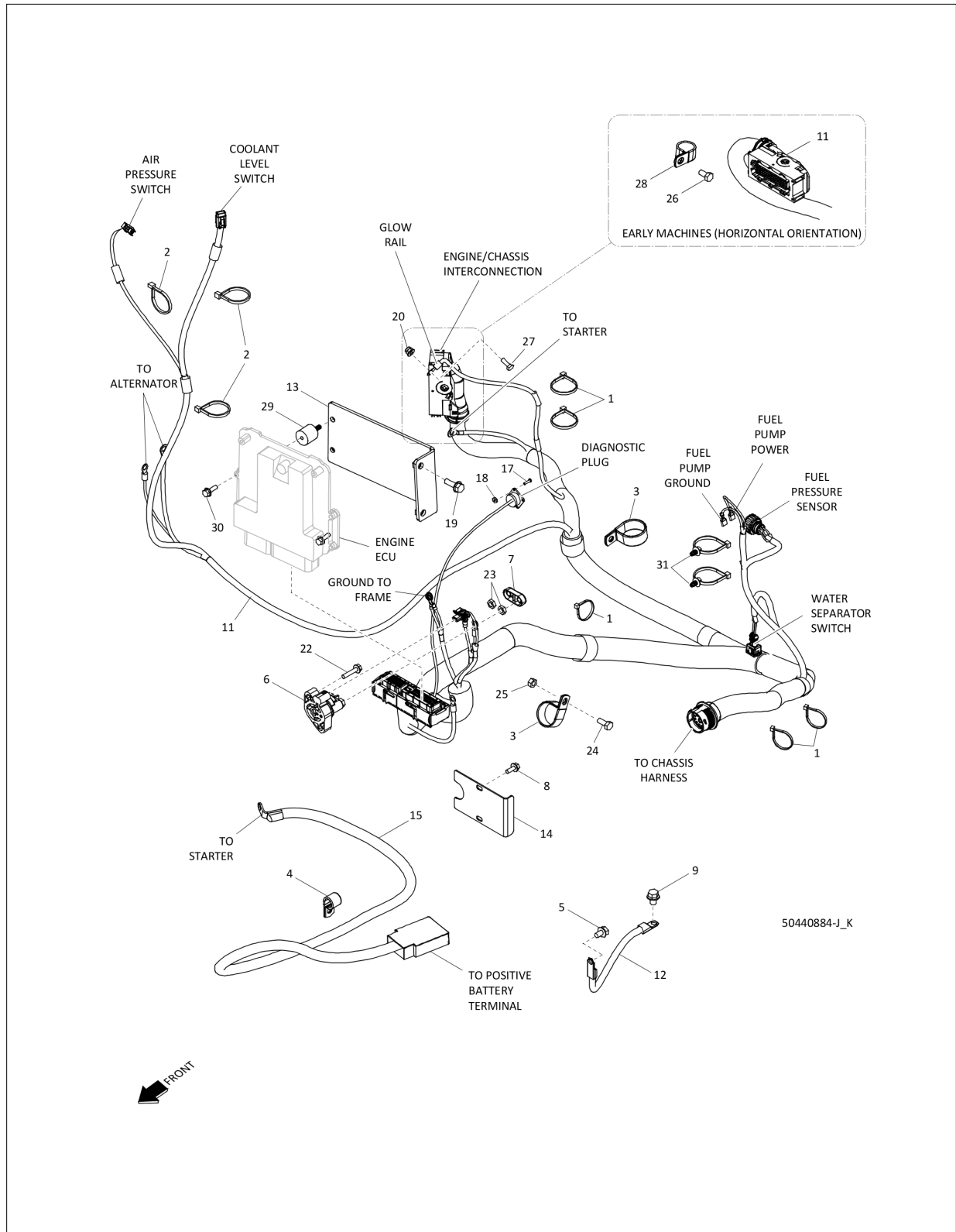




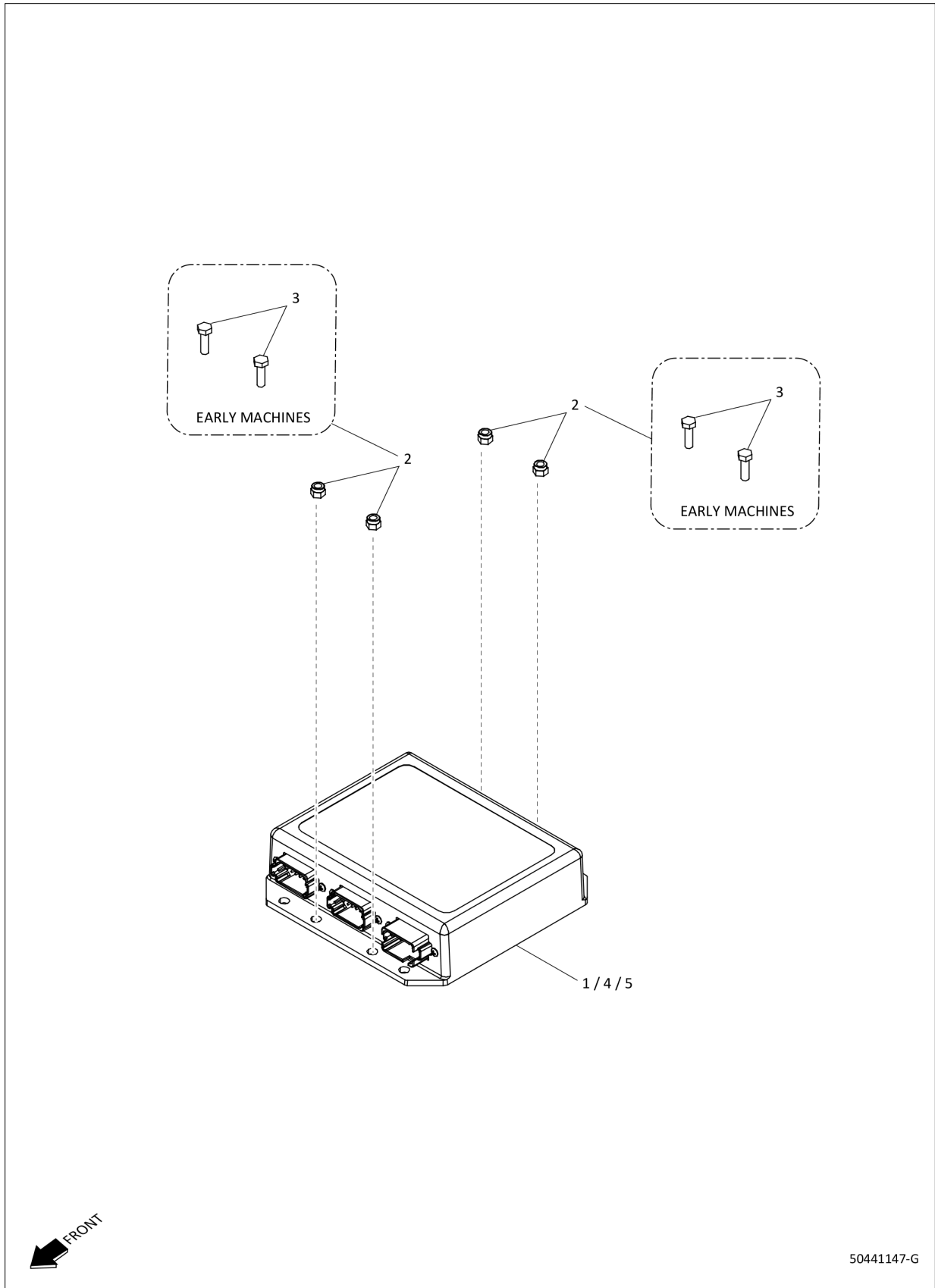
50307092-D-3

Electrical Front Chassis Electrical (2 of 2)

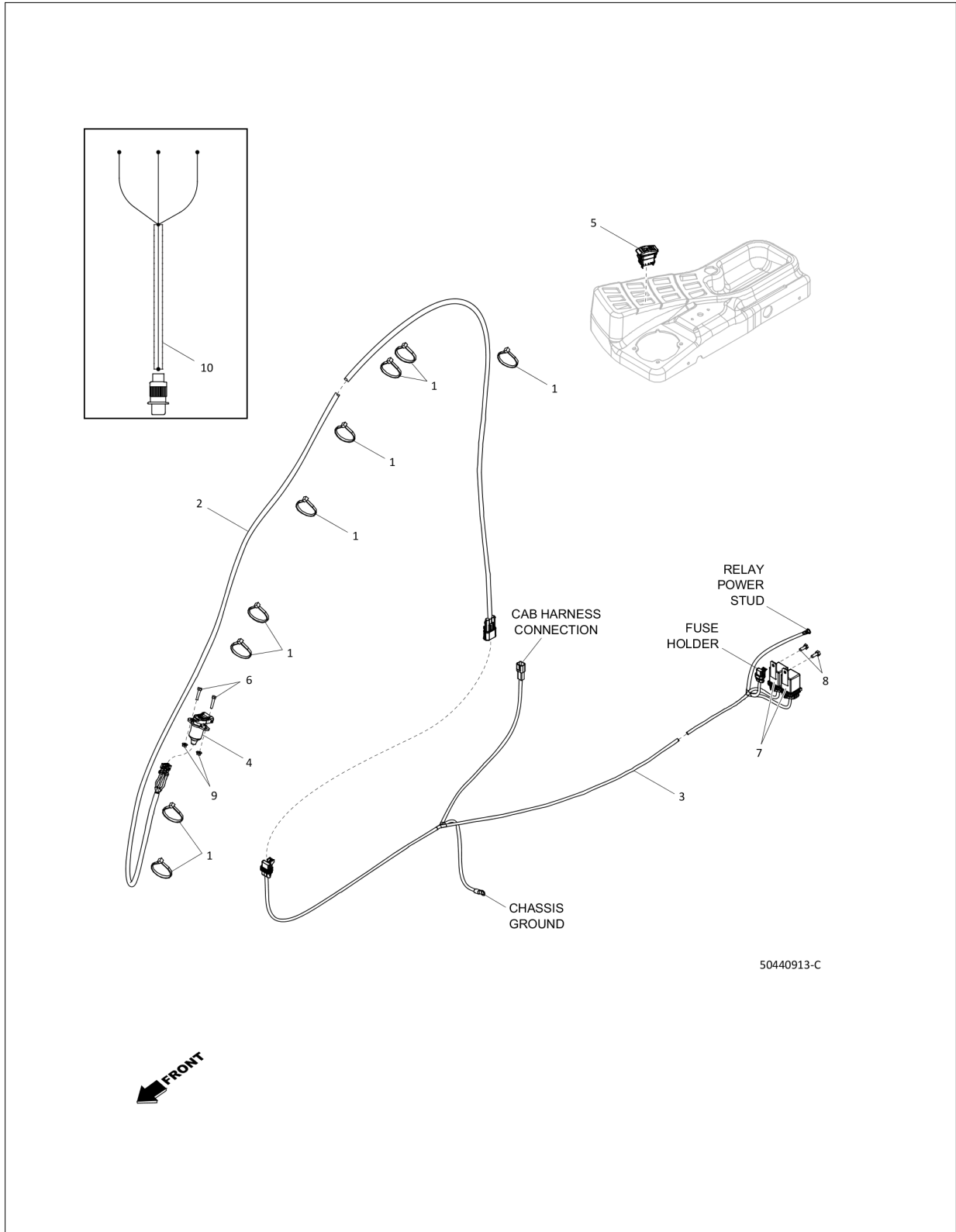




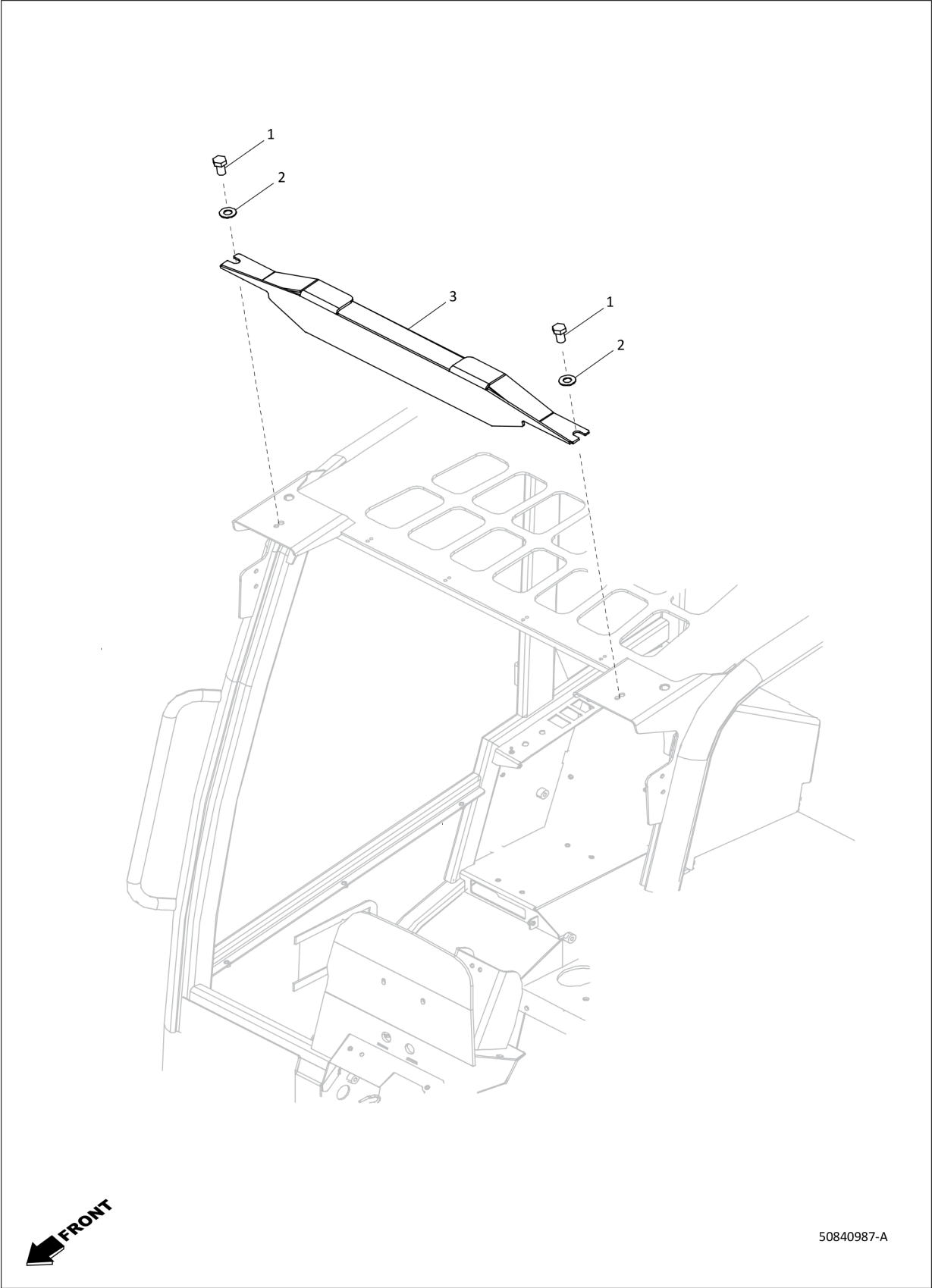
Electrical 2-Speed Module (High / Low Drive Speed)



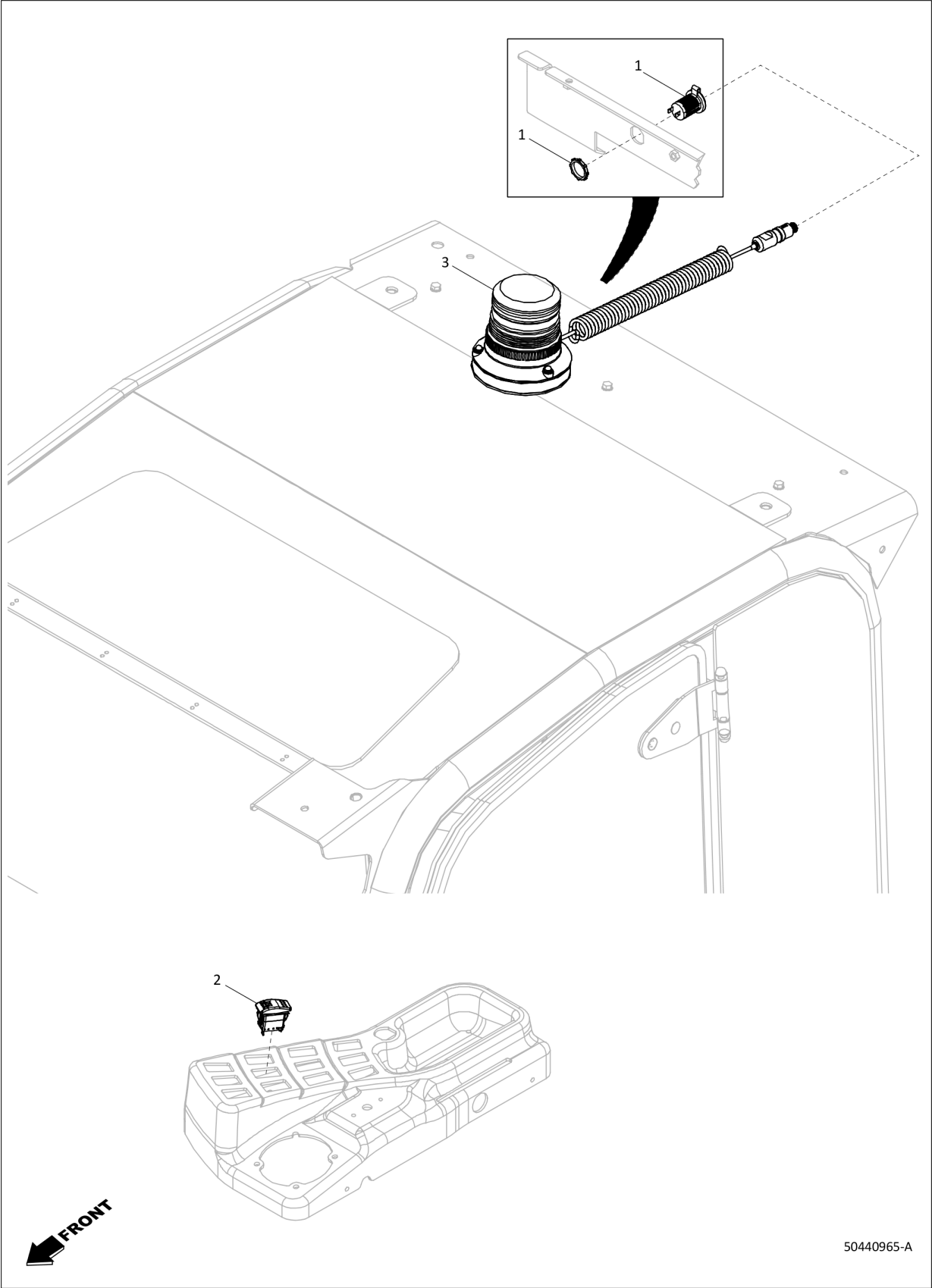
Electrical Front Electrical Auxiliary (Option)



Electrical Front Licence Plate (Option)



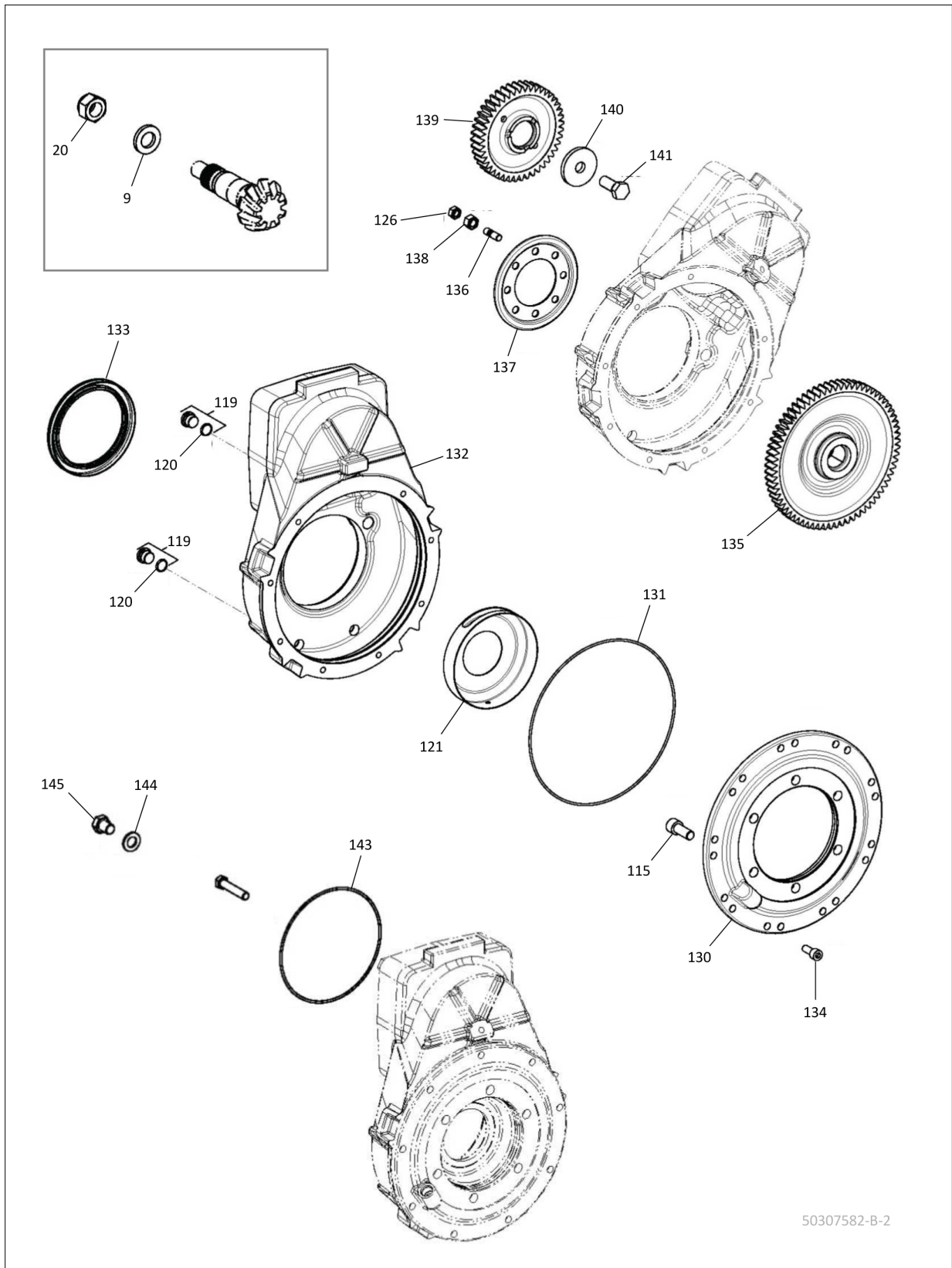
Electrical Strobe Beacon (Option)



50440965-A

| Item | Part No. | Name | Qty | Remarks |
|------|----------|--------------------------|-----|---------|
| 29 | 203606 | O-RING 21 X 2 OZF | 1 | |
| 30 | 50291765 | BUSHING | 16 | |
| 31 | 50280519 | HEXAGON SCREW | 16 | |
| 33 | 50280480 | SCREW PLUG | 1 | |
| 34 | 50280466 | O-RING | 1 | |
| 35 | 50280467 | O-RING | 1 | |
| 36 | 50280520 | PISTON | 1 | |
| 37 | 50280471 | SNAP RING | 1 | |
| 38 | 50280509 | BALL BEARING | 1 | |
| 39 | 50280526 | LOCKING SLIDE | 1 | |
| 40 | 50280507 | COMPRESSION SPRING | 1 | |
| 41 | 50280521 | RING | 1 | |
| 42 | 50280470 | CIRCLIP | 1 | |
| 43 | 203772 | AXLE HOUSING | 1 | |
| 44 | 203607 | O-RING | 2 | |
| 49 | 203614 | HEX SCREW M14 X 55 DI | 12 | |
| 49 | 203614 | HEX SCREW M14 X 55 DI | 12 | |
| 61 | 50291760 | PLUG | 2 | |
| 62 | 203606 | O-RING 21 X 2 OZF | 1 | |
| 63 | 203621 | CAP SCREW M10 X 20 DI | 4 | |
| 93 | 50291752 | CASING/AXLE | 1 | |
| 94 | 50291754 | SHAFT/STUB | 1 | |
| 95 | 50291751 | SLEEVE | 1 | |
| 95 | 50291751 | SLEEVE | 1 | |
| 96 | 50291714 | SNAP RING | 1 | |
| 96 | 50291714 | SNAP RING | 1 | |
| 97 | 50291753 | CASING/AXLE | 1 | |
| 98 | 50291755 | SHAFT/STUB | 1 | |
| 99 | 50291762 | GEAR/RING | 2 | |
| 100 | 50291768 | SHAFT/SUN GEAR | 2 | |
| 101 | 50291757 | CARRIER/PLANET | 2 | |
| 103 | 50291769 | WASHER/THRUST | 1 | |
| 104 | 50291761 | GEAR/PLANETARY | 1 | |
| 105 | 50291713 | RETAINING RING | 3 | |
| 106 | 50291764 | HUB | 2 | |
| 107 | 50291715 | O-RING | 2 | |
| 108 | 50294896 | SEAL/DOUBLE LIP/AXLE HUB | 2 | |
| 109 | 50291733 | BEARING/TAPERED ROLLER | 4 | |
| 110 | 50291756 | STUD/WHEEL | 16 | |

Drivetrain Rear Axle Motor Mount



50307582-B-2

| | | | |
|--------|--------------------|--------|---------------|
| 200212 | 18, 26 | 203671 | 283, 291 |
| 201078 | 12 | 203672 | 283, 292 |
| 201168 | 42 | 203673 | 283, 292 |
| 201184 | 42 | 203674 | 283, 291 |
| 201191 | 16 | 203675 | 283, 291 |
| 201219 | 128, 130 | 203676 | 283, 291 |
| 201228 | 228, 230 | 203677 | 283, 292 |
| 201229 | 260 | 203678 | 283, 291 |
| 201230 | 260 | 203679 | 283, 291 |
| 201231 | 260 | 203680 | 284, 291 |
| 201232 | 16 | 203681 | 283, 291 |
| 201233 | 260 | 203682 | 284, 291 |
| 201397 | 96 | 203683 | 284, 291 |
| 201409 | 110 | 203684 | 284, 291 |
| 201463 | 96 | 203703 | 282, 290 |
| 201473 | 96 | 203704 | 282, 290 |
| 202644 | 43 | 203705 | 282, 290 |
| 202664 | 98, 100 | 203706 | 282, 290 |
| 202665 | 100 | 203707 | 282, 290 |
| 202666 | 100 | 203708 | 282, 290 |
| 202667 | 98, 100 | 203709 | 282, 290 |
| 203002 | 32, 34 | 203710 | 282, 290 |
| 203606 | 285, 285, 293, 293 | 203711 | 282, 290 |
| 203607 | 285, 293 | 203712 | 282, 290 |
| 203609 | 296 | 203713 | 288, 296 |
| 203614 | 285, 285, 293 | 203719 | 282, 290 |
| 203619 | 296 | 203720 | 282, 290 |
| 203621 | 285, 293 | 203721 | 282, 290 |
| 203626 | 288, 296 | 203722 | 282, 290 |
| 203628 | 283, 291 | 203723 | 282, 290 |
| 203629 | 283, 292 | 203724 | 282, 290 |
| 203630 | 283, 292 | 203725 | 282, 290 |
| 203631 | 283, 291 | 203726 | 282, 290 |
| 203632 | 283, 291 | 203727 | 282, 290 |
| 203633 | 283, 291 | 203728 | 282, 290 |
| 203634 | 283, 291 | 203729 | 282, 290 |
| 203635 | 283, 291 | 203730 | 282, 290 |
| 203636 | 283, 292 | 203731 | 282, 290 |
| 203637 | 283, 291 | 203732 | 282, 290 |
| 203638 | 284, 291 | 203733 | 282, 290 |
| 203651 | 283, 291 | 203734 | 282, 290 |
| 203652 | 283, 291 | 203735 | 282, 290 |
| 203655 | 283, 292 | 203736 | 282, 290 |
| 203656 | 283, 292 | 203737 | 282, 290 |
| 203657 | 283, 291 | 203738 | 282, 290 |
| 203658 | 283, 291 | 203739 | 282, 290 |
| 203659 | 283, 291 | 203740 | 282, 290 |
| 203660 | 283, 291 | 203746 | 288 |
| 203661 | 284, 292 | 203751 | 282, 290 |
| 203662 | 284, 291 | 203753 | 282, 290 |
| 203663 | 284, 291 | 203754 | 284, 292 |
| 203664 | 283, 291 | 203760 | 296 |
| 203665 | 284, 292 | 203772 | 285, 293 |
| 203666 | 284, 291 | 203815 | 192 |
| 203667 | 283, 291 | 203869 | 106 |
| 203668 | 283, 291 | 203870 | 106 |
| 203669 | 283, 291 | 203871 | 106 |
| 203670 | 283, 291 | 204464 | 214, 216, 216 |

CLICK HERE TO **DOWNLOAD** THE COMPLETE MANUAL

- Thank you very much for reading the preview of the manual.
- You can download the complete manual from: www.heydownloads.com by clicking the link below



- Please note: If there is no response to CLICKING the link, please download this PDF first and then click on it.

CLICK HERE TO **DOWNLOAD** THE COMPLETE MANUAL