



# GEHL

## 650

## AL650

### Articulated Loader Parts Manual

50940374 Rev. F 08/21

CLICK HERE TO **DOWNLOAD** THE COMPLETE MANUAL

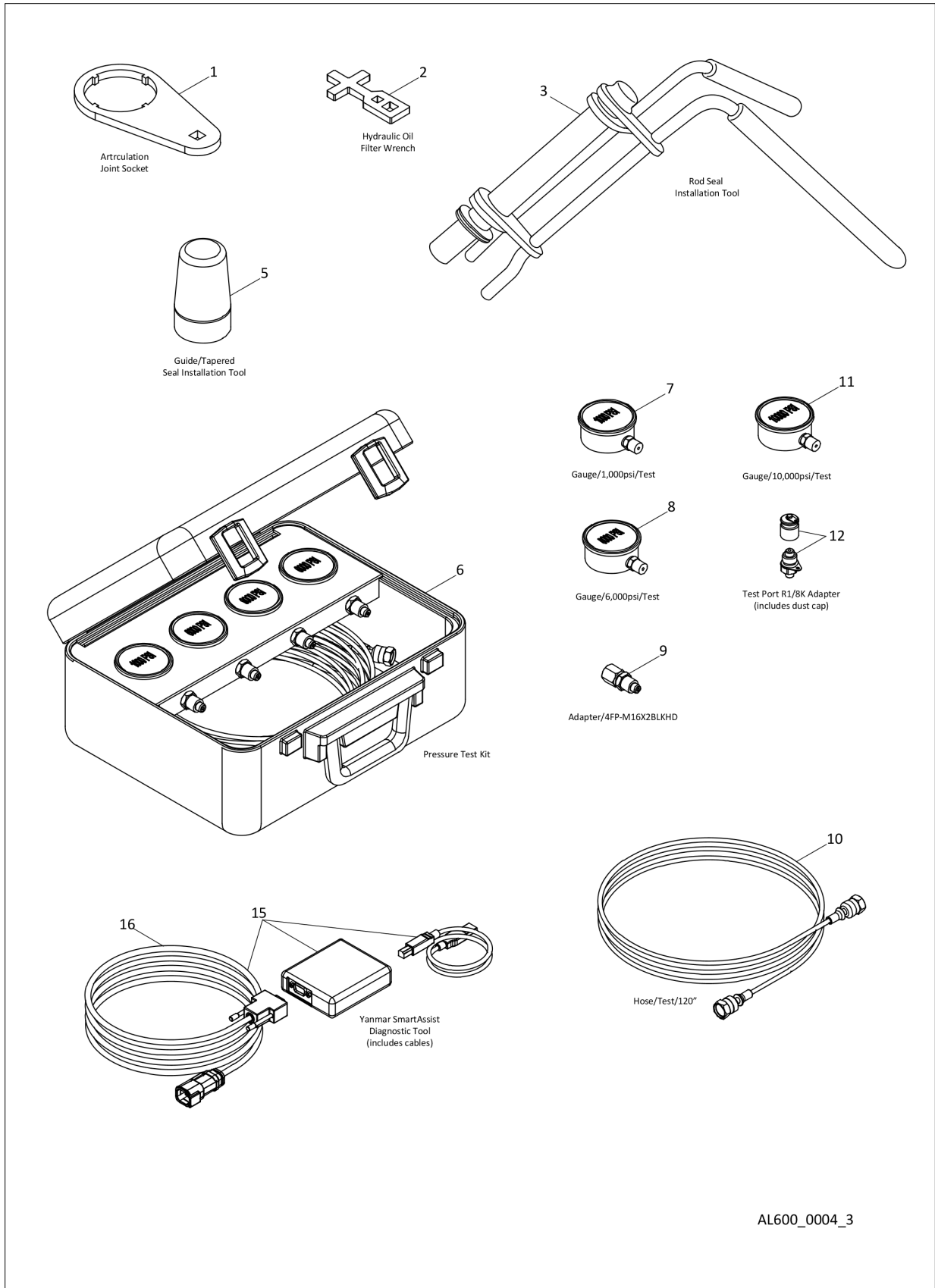
- Thank you very much for reading the preview of the manual.
- You can download the complete manual from: [www.heydownloads.com](http://www.heydownloads.com) by clicking the link below



- Please note: If there is no response to CLICKING the link, please download this PDF first and then click on it.

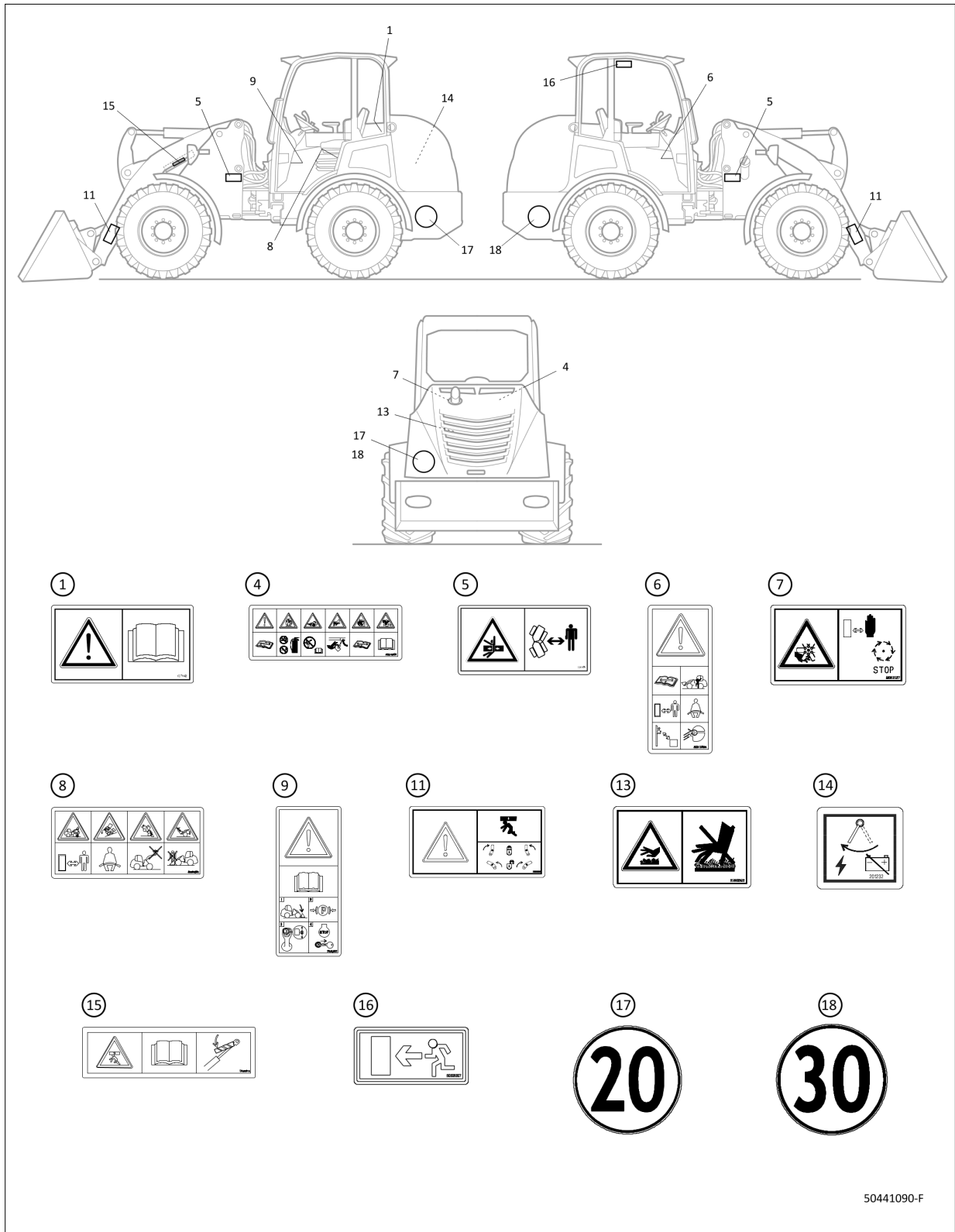
CLICK HERE TO **DOWNLOAD** THE COMPLETE MANUAL

# Service Parts and Filters Specialty Tools



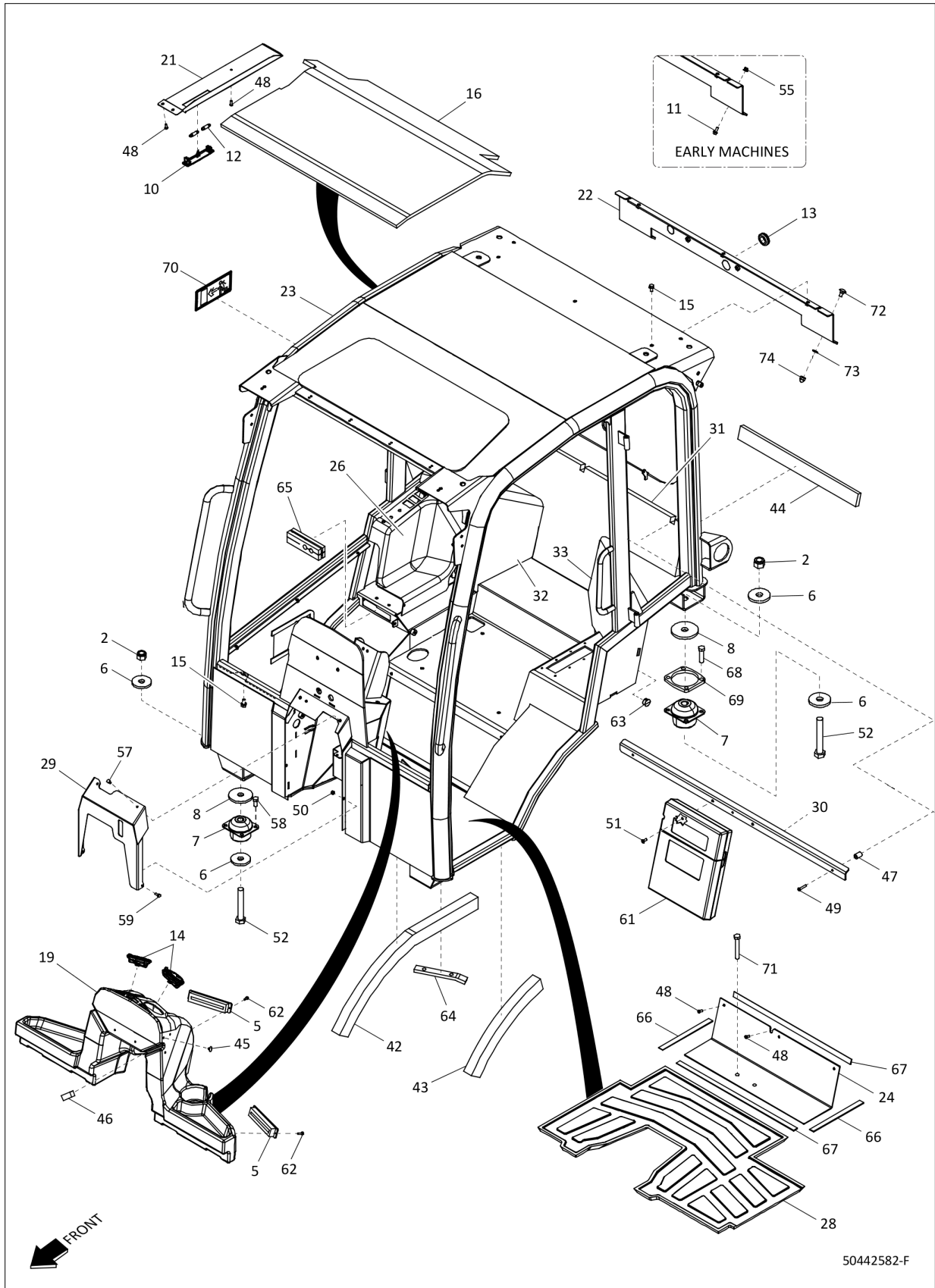
AL600\_0004\_3

# Decals ISO-Style Decals

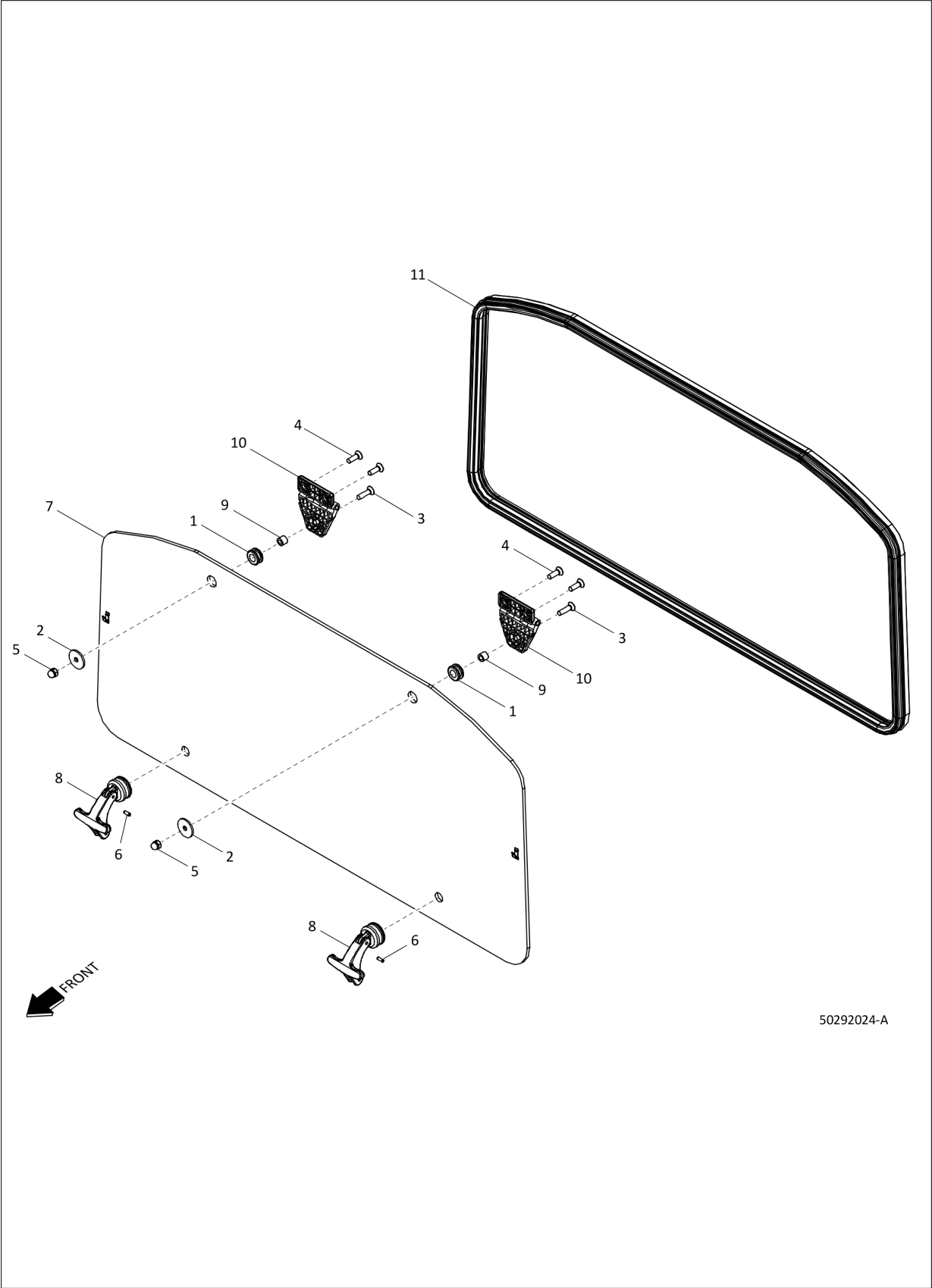


50441090-F

# Cab ROPS/FOPS Cab

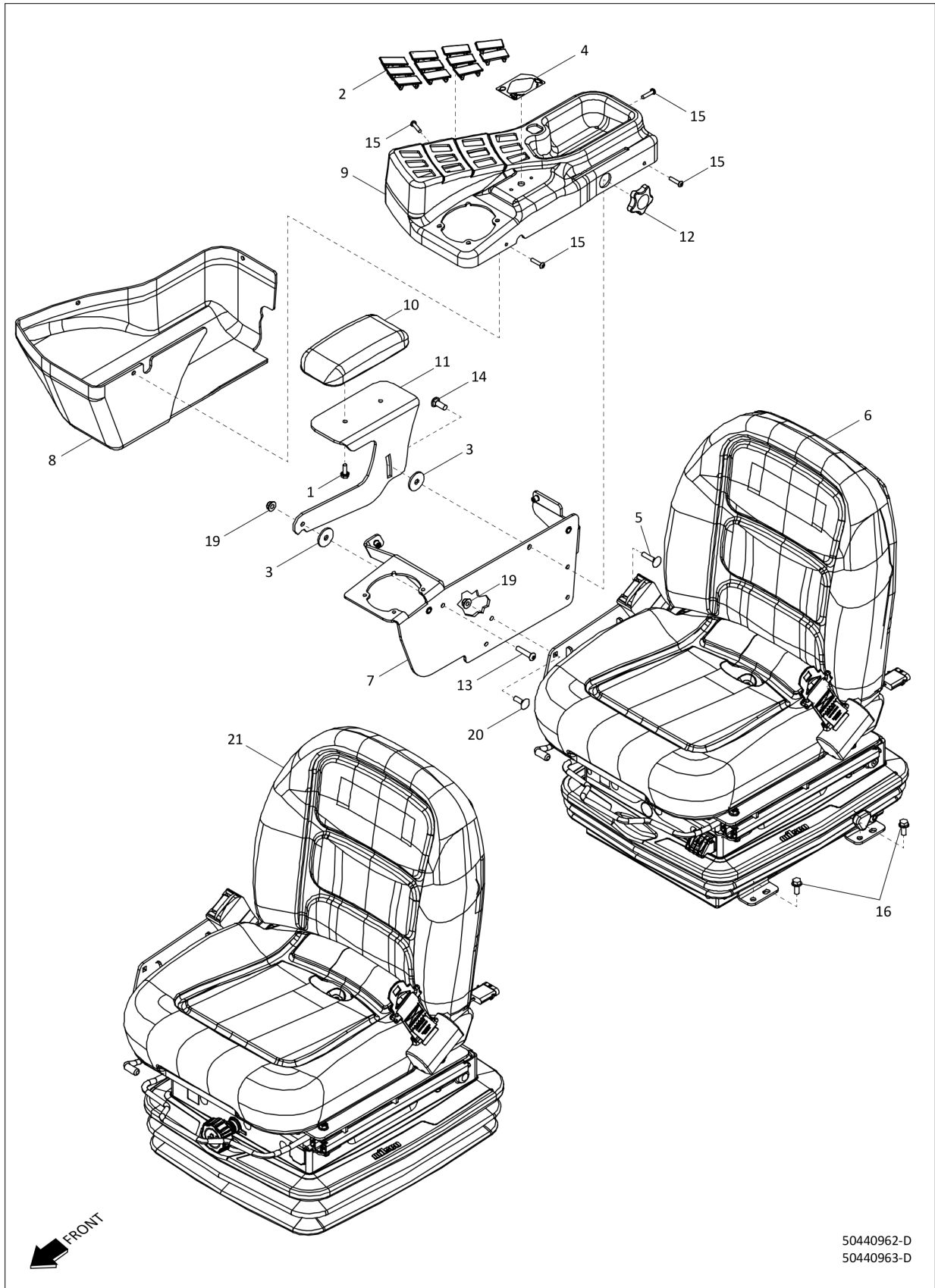


**Cab** Cab Rear Window



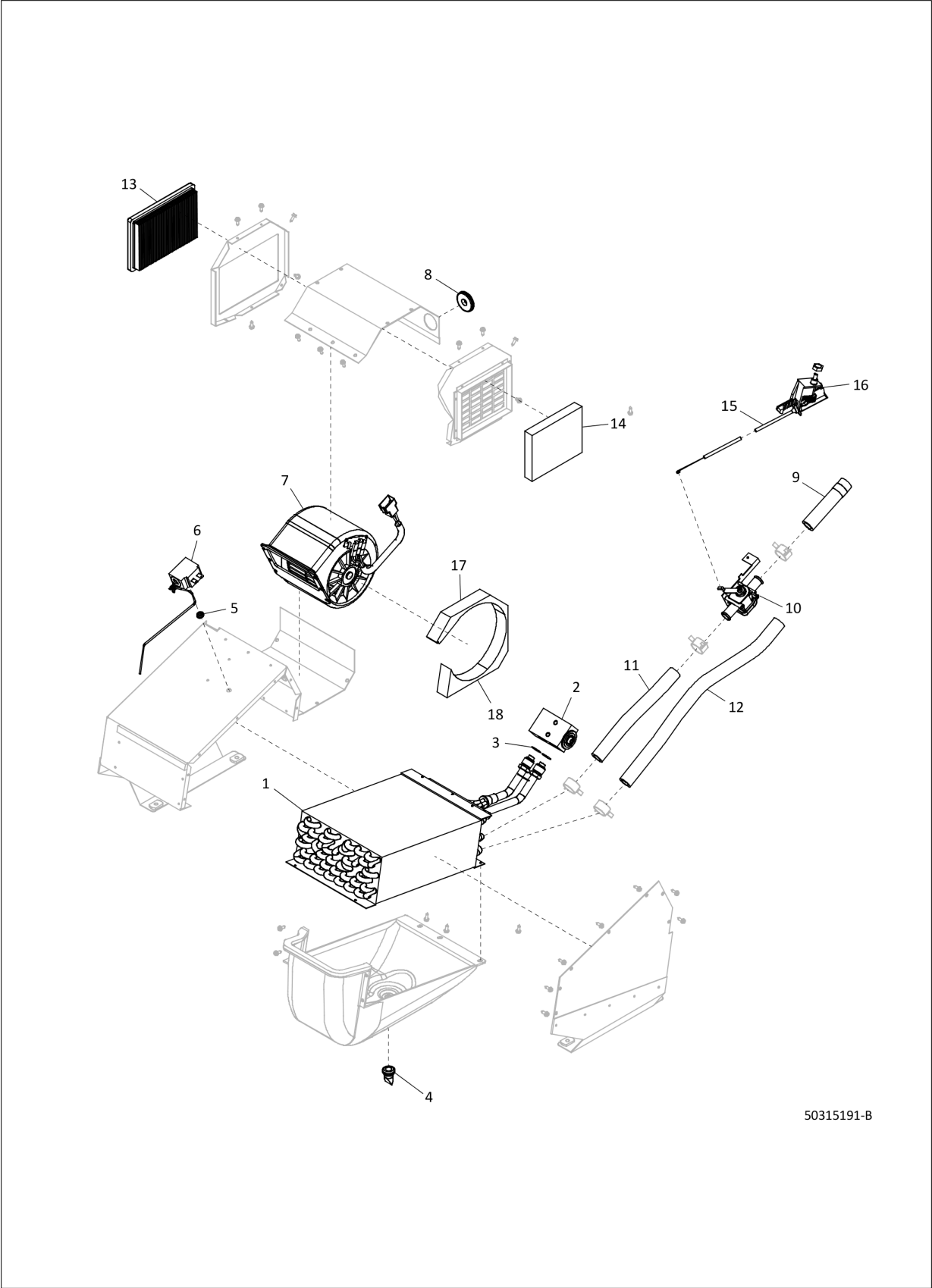
50292024-A

# Cab Seat and Armrest



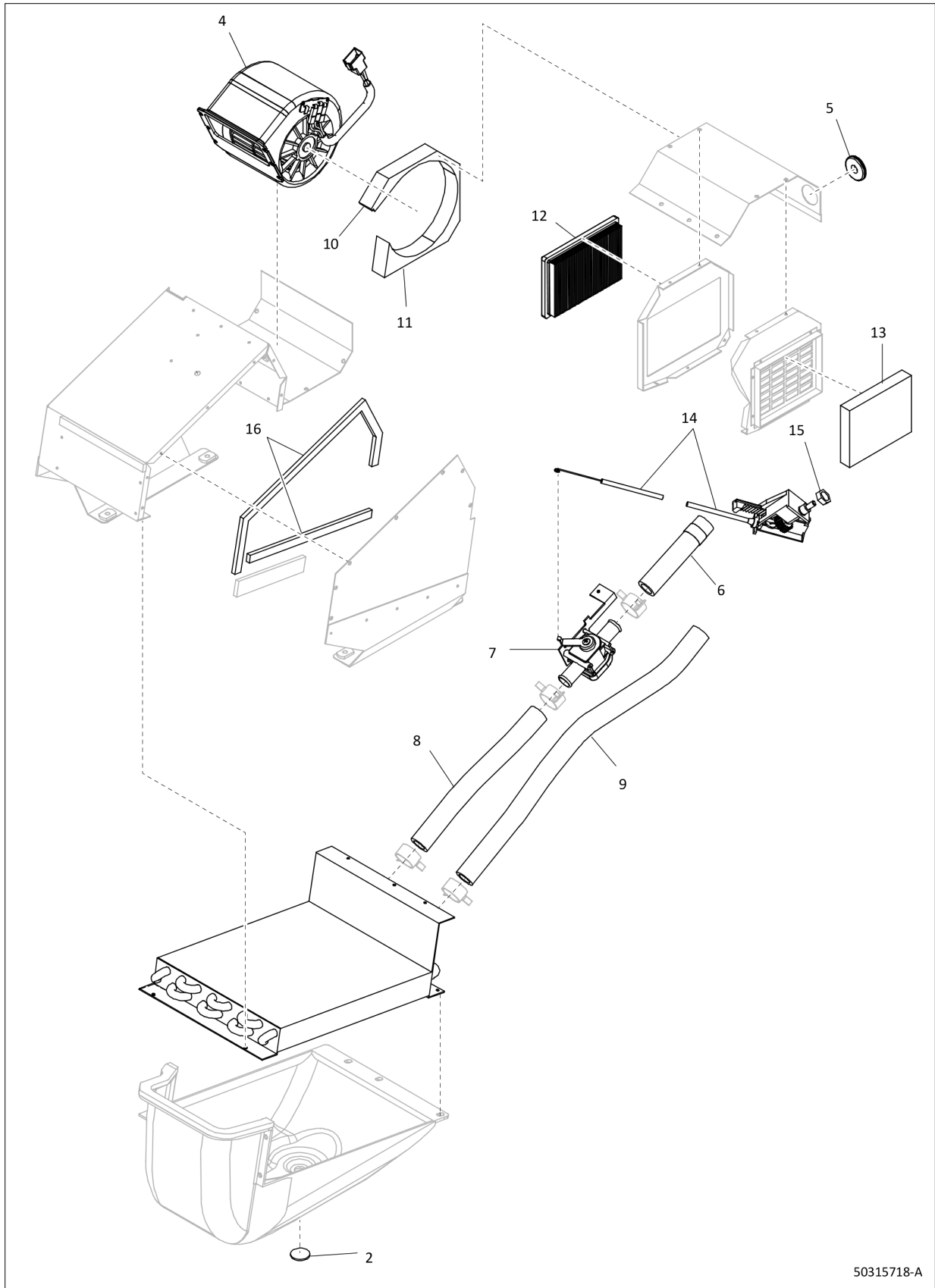
50440962-D  
50440963-D

**Cab 50315191 Heater / Air Conditioning Kit**



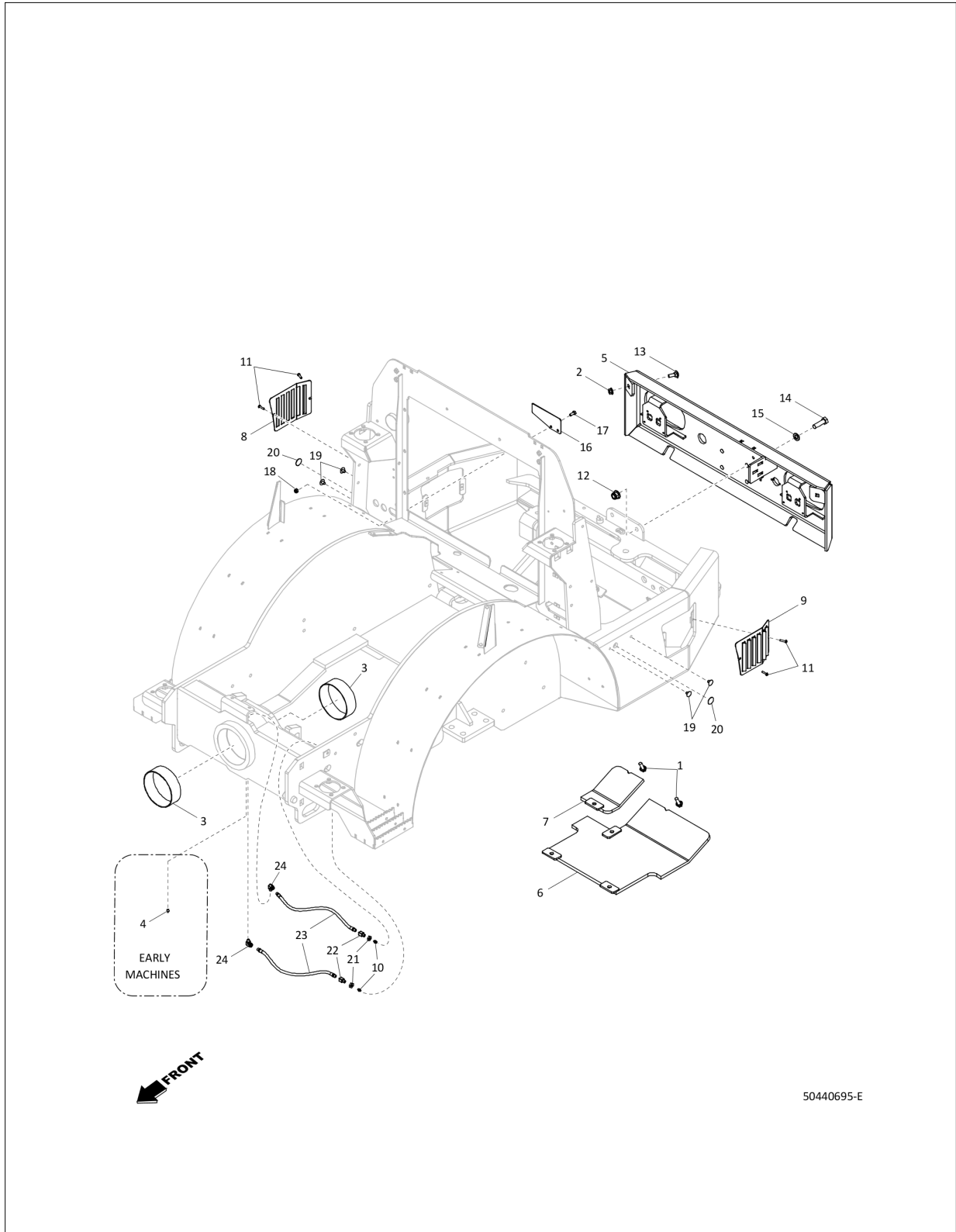
50315191-B

# Cab Heater Assembly



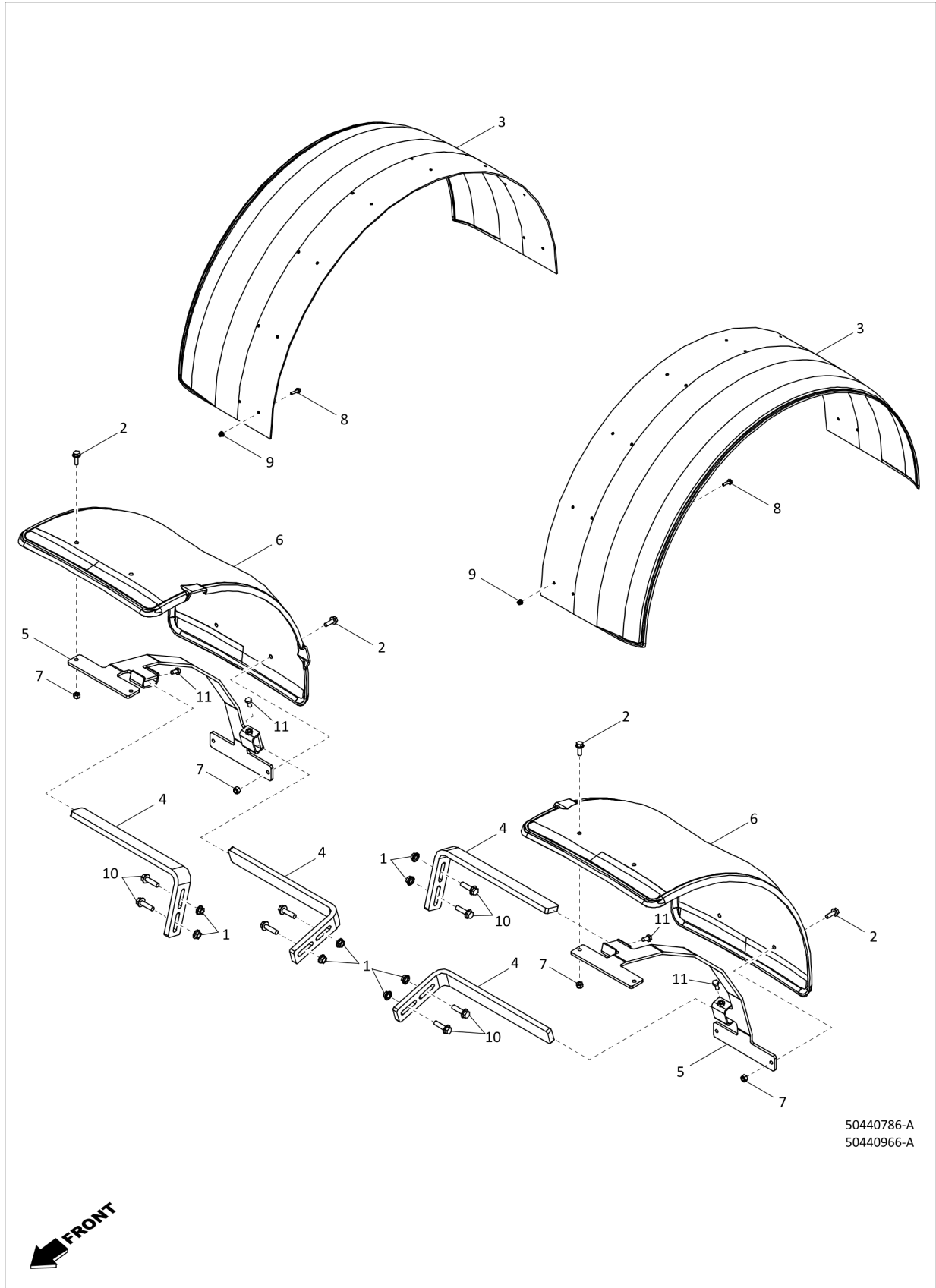
50315718-A

# Chassis Rear Frame - SN 00060177 and Before

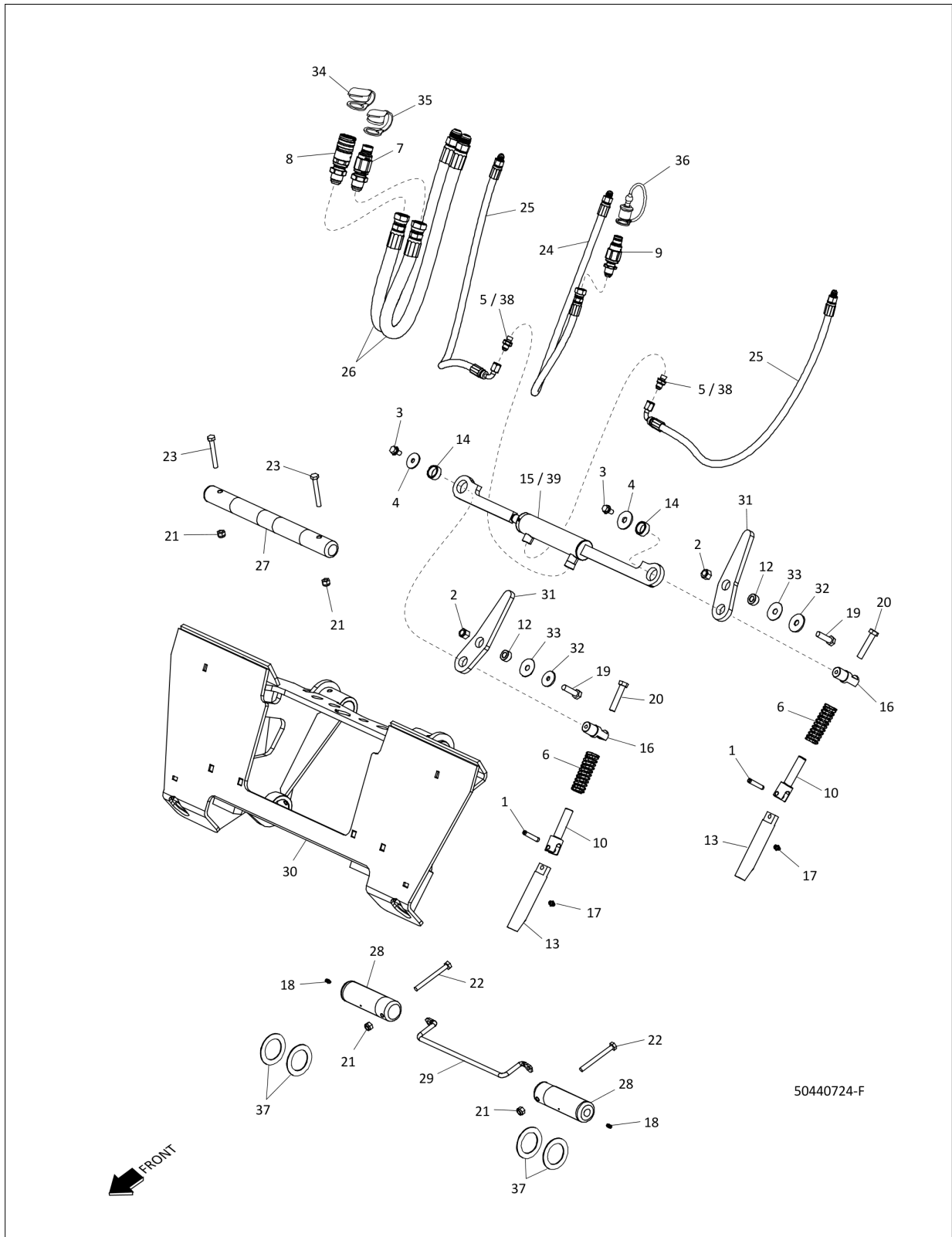


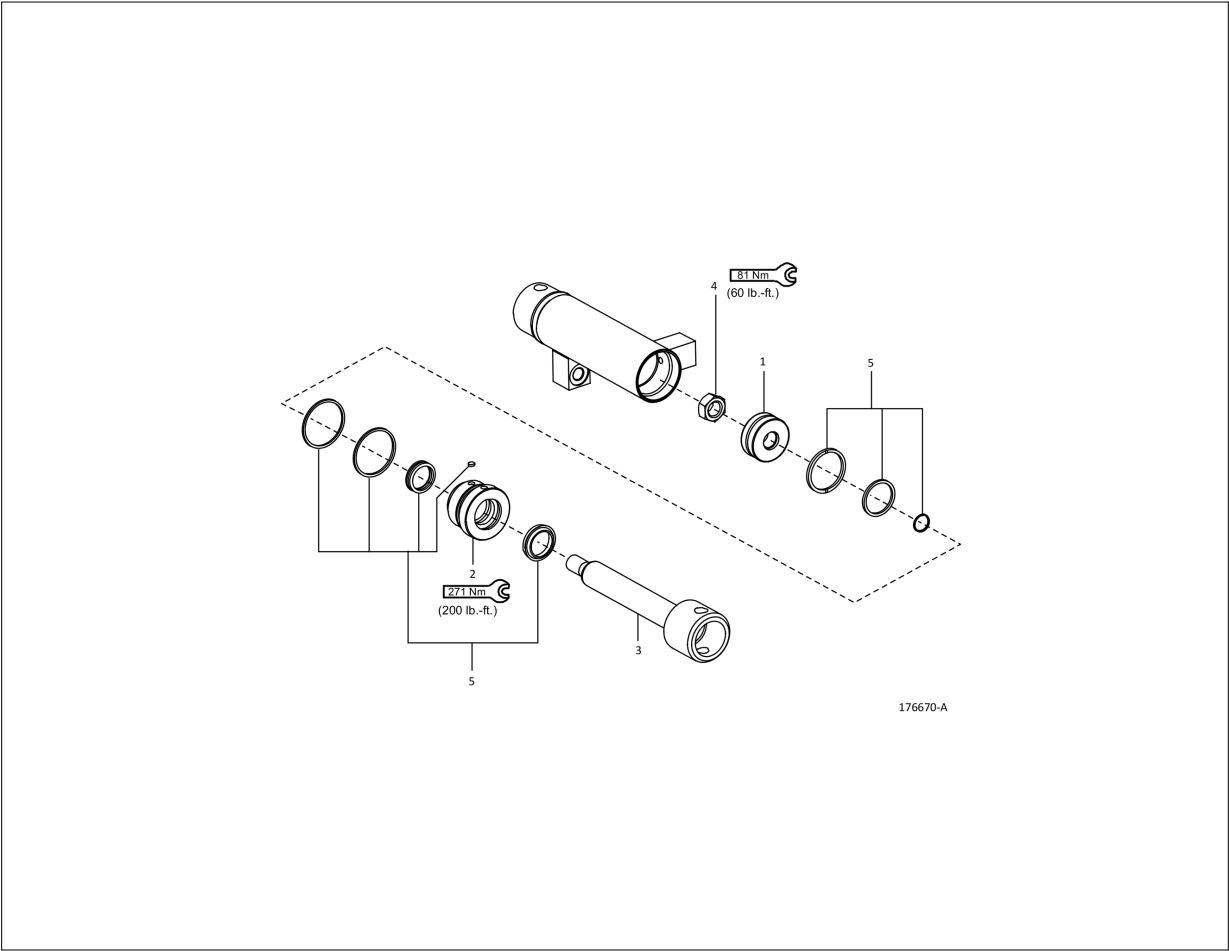
50440695-E

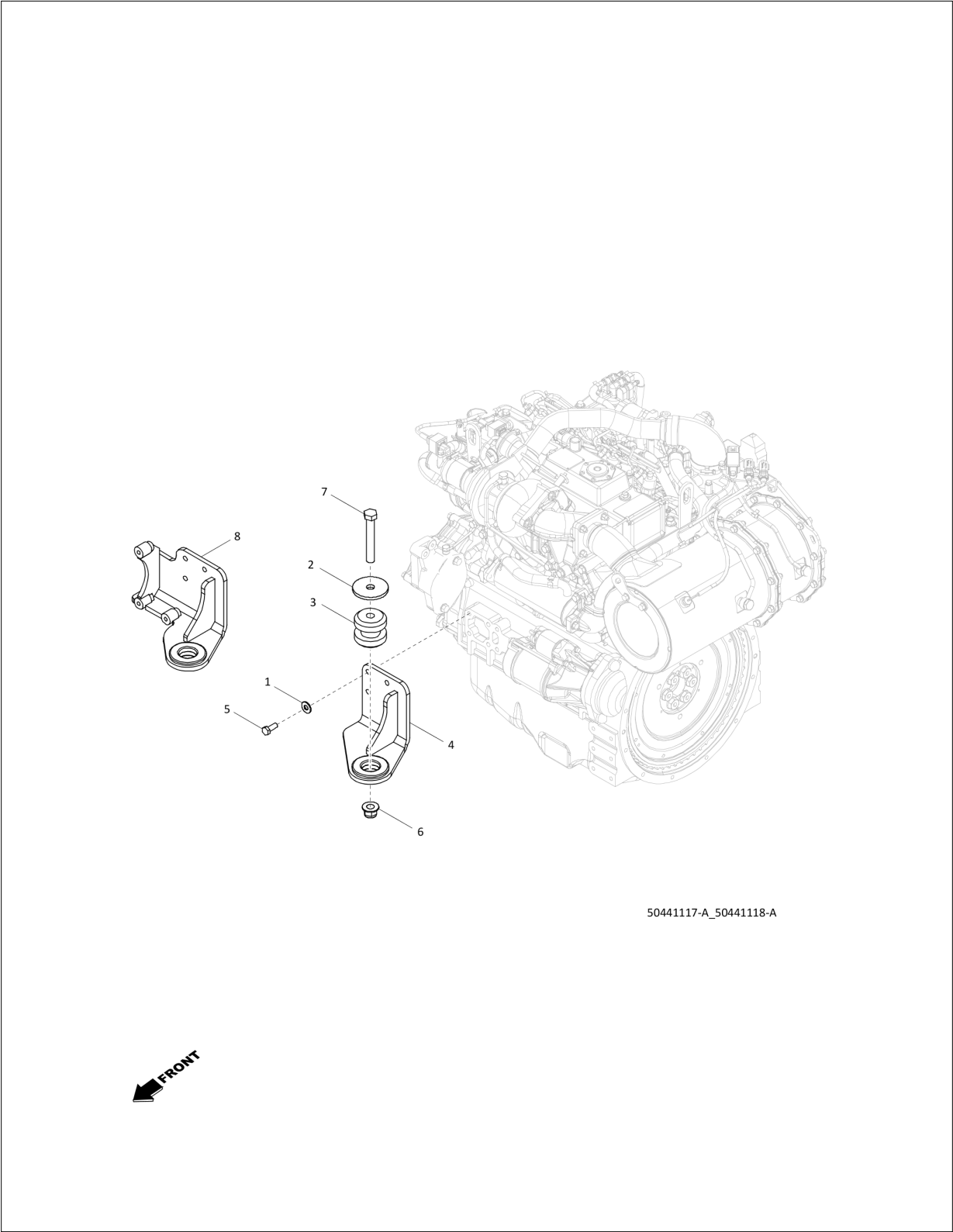
# Chassis Fenders



# Lift Structure Powered Attach

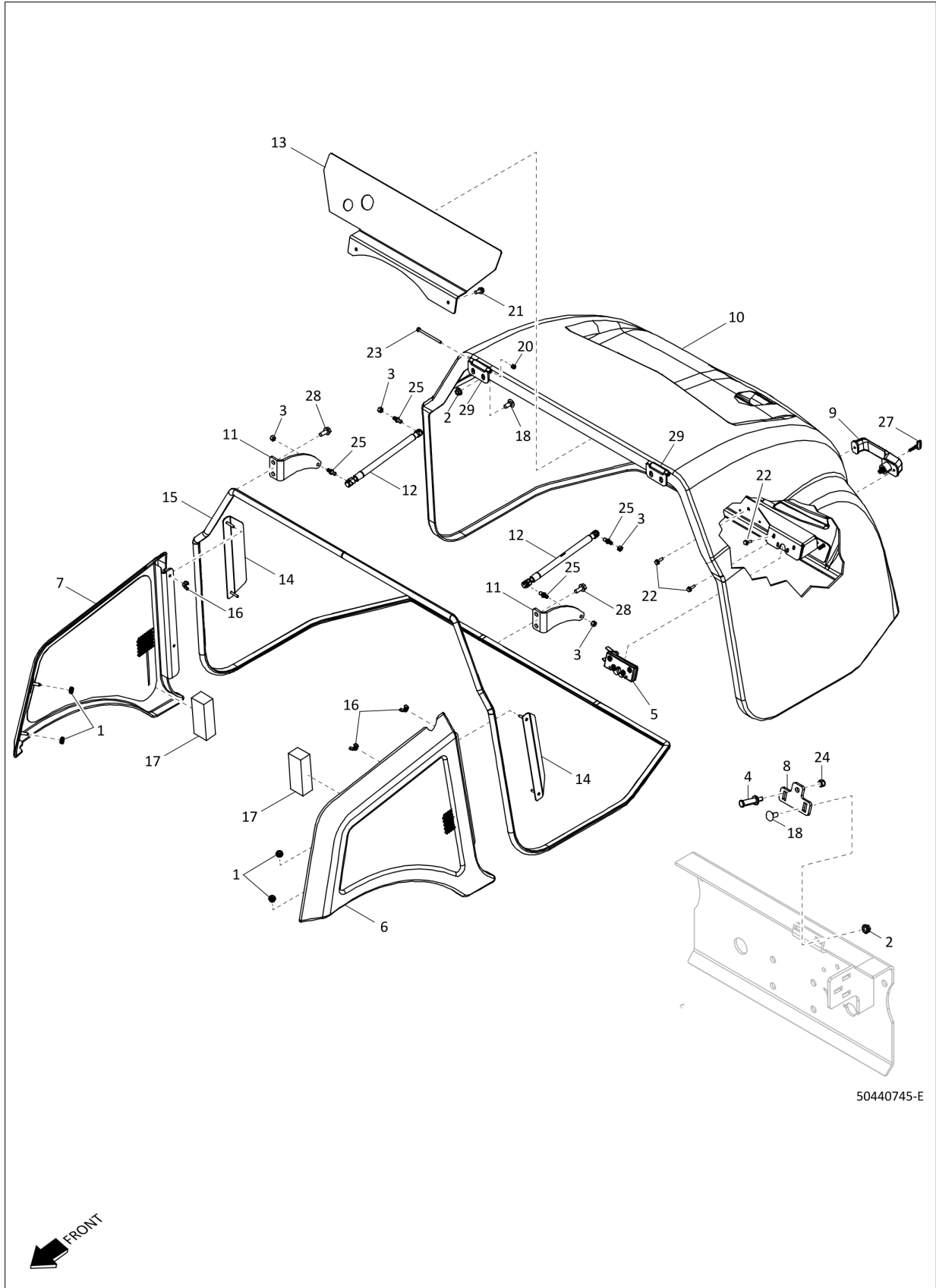


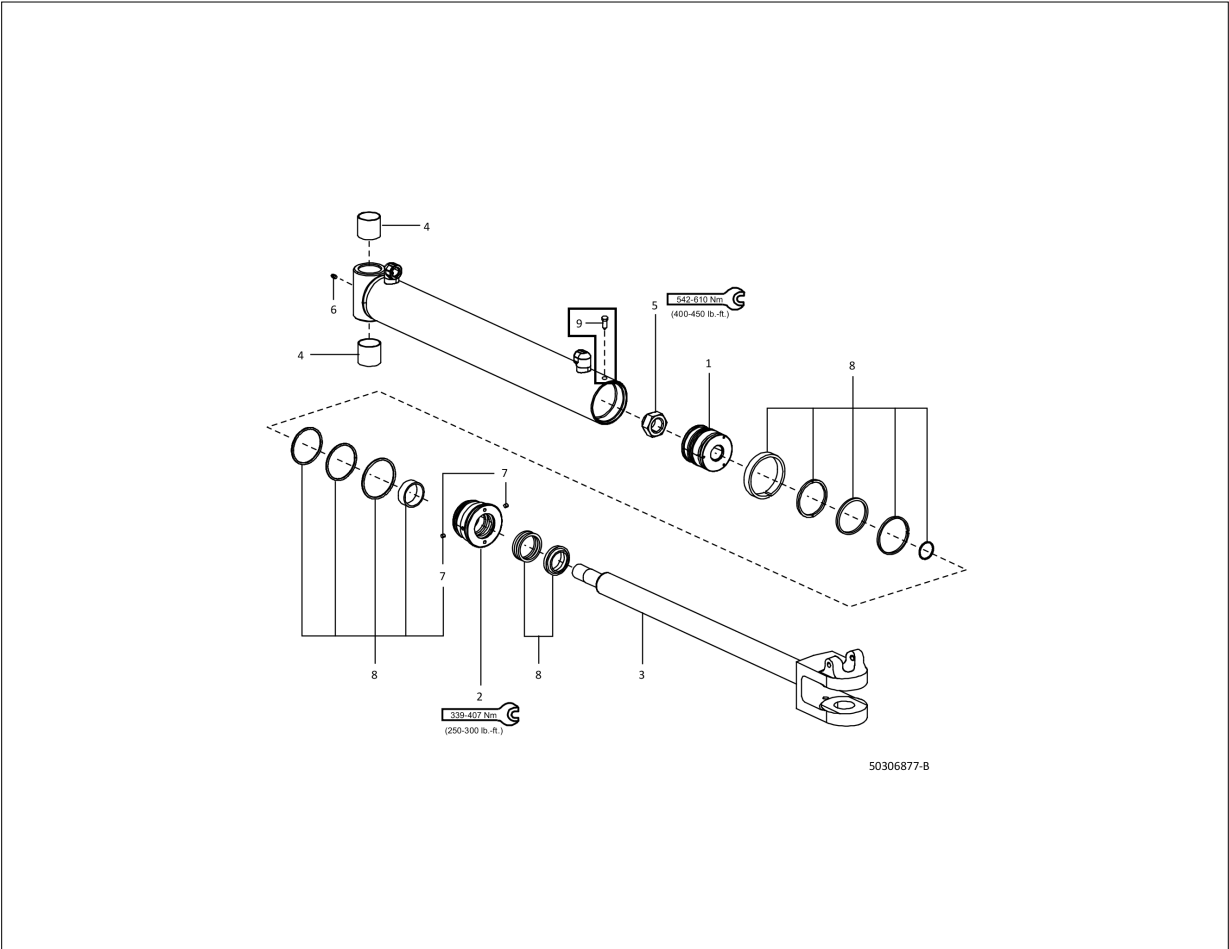




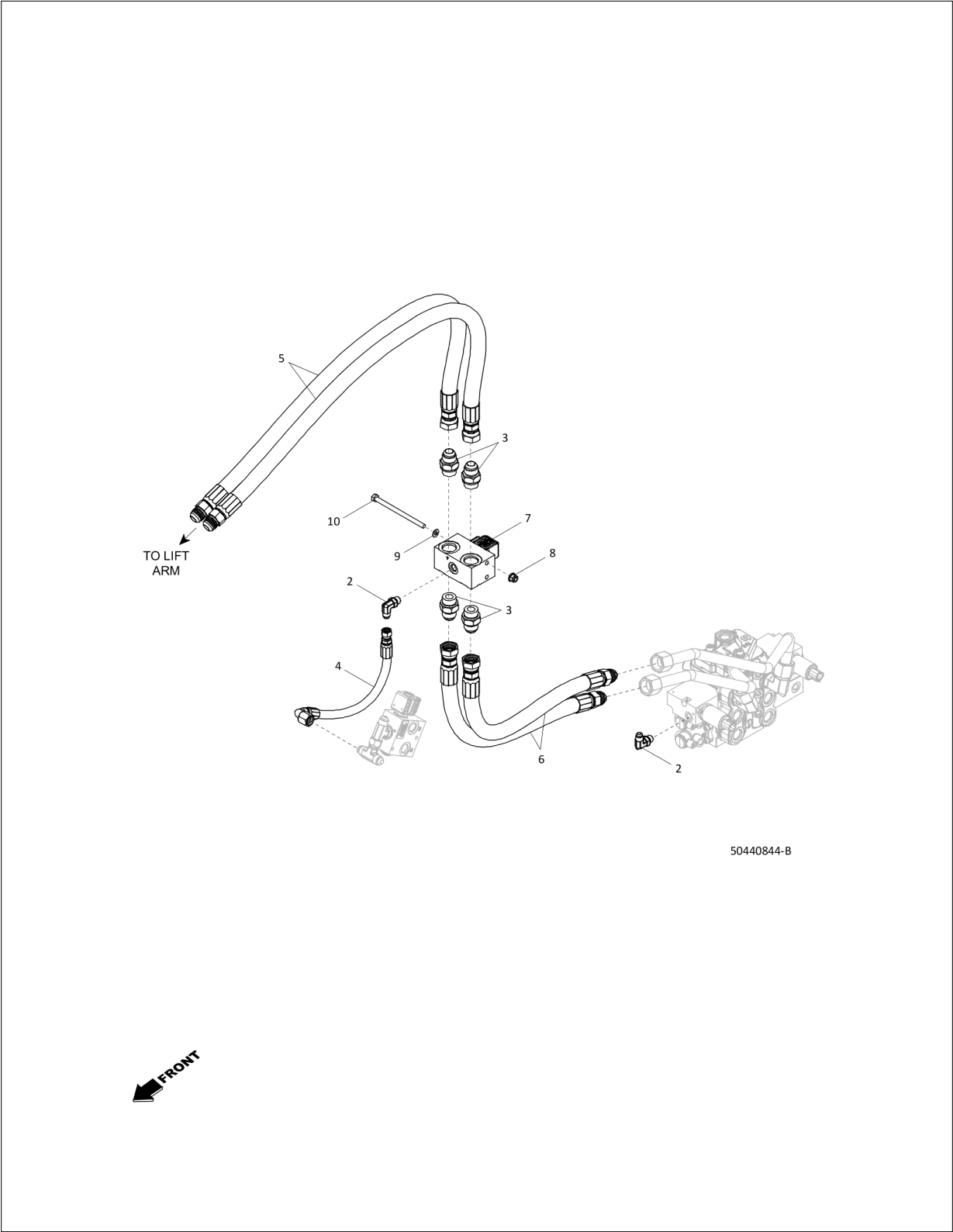
50441117-A\_50441118-A

# Engine / Power Engine Cover - SN 00060199 and After





**Hydraulics** Auxiliary Hydraulics / Standard (Control Valve Forward)



CLICK HERE TO **DOWNLOAD** THE COMPLETE MANUAL

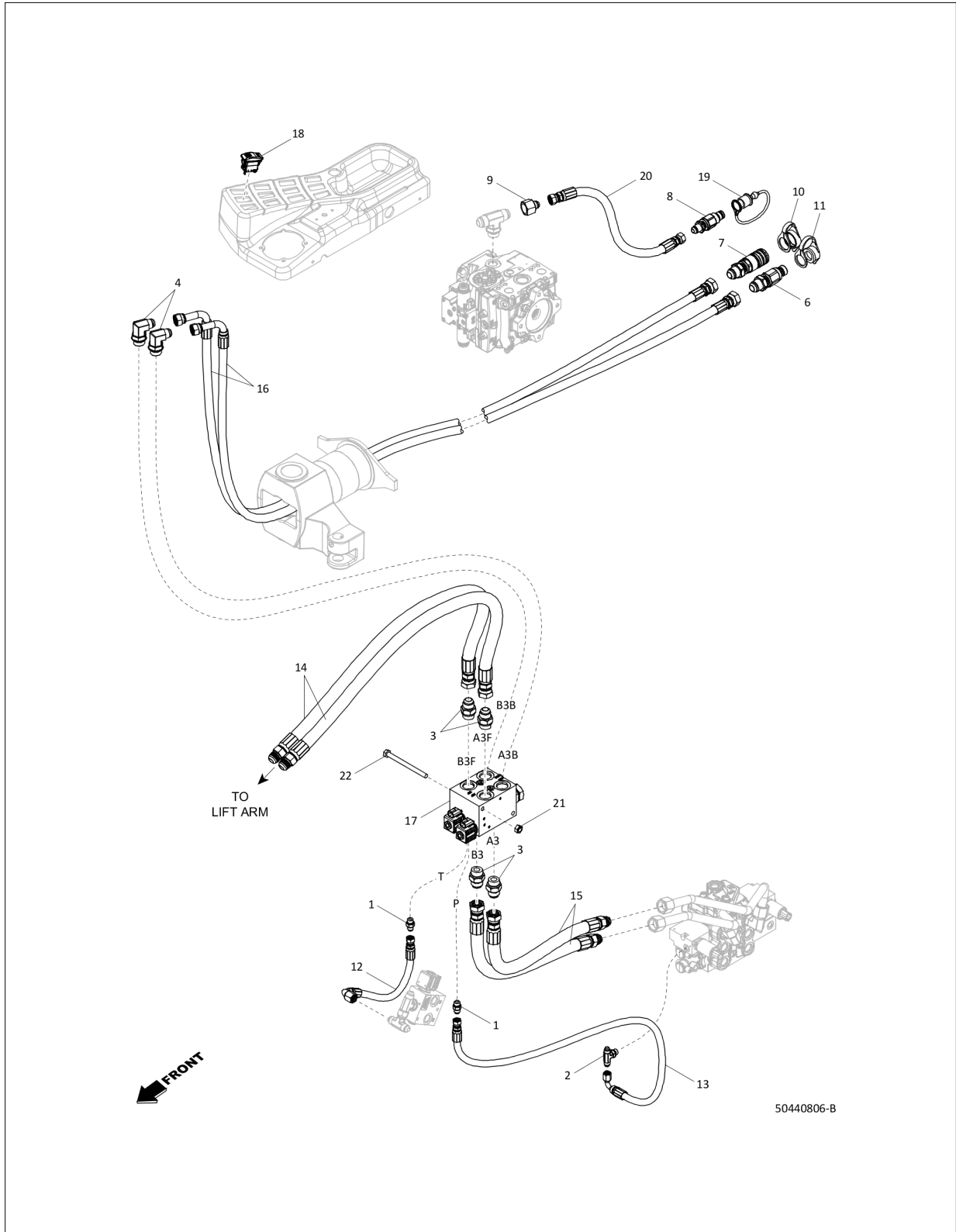
- Thank you very much for reading the preview of the manual.
- You can download the complete manual from: [www.heydownloads.com](http://www.heydownloads.com) by clicking the link below

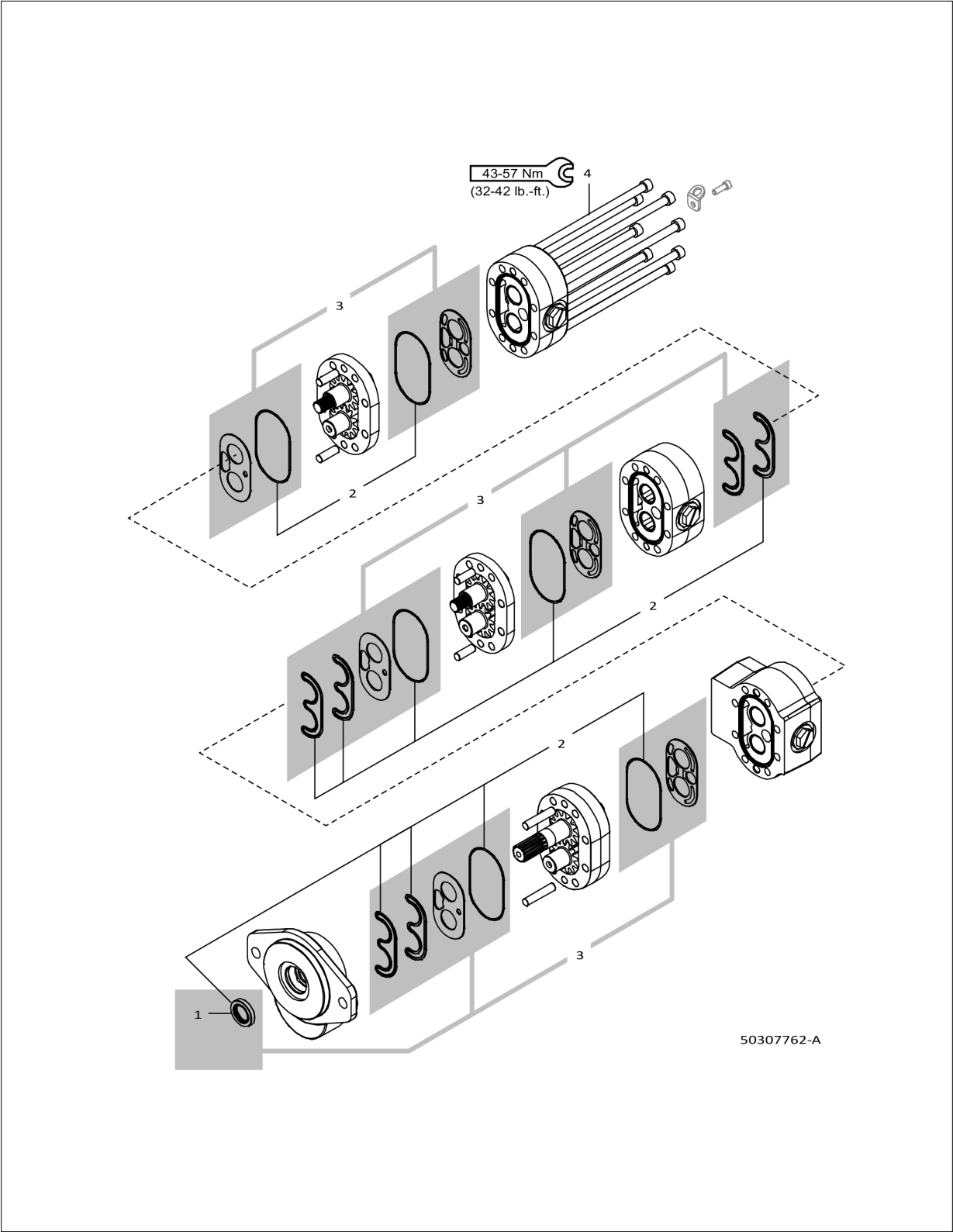


- Please note: If there is no response to CLICKING the link, please download this PDF first and then click on it.

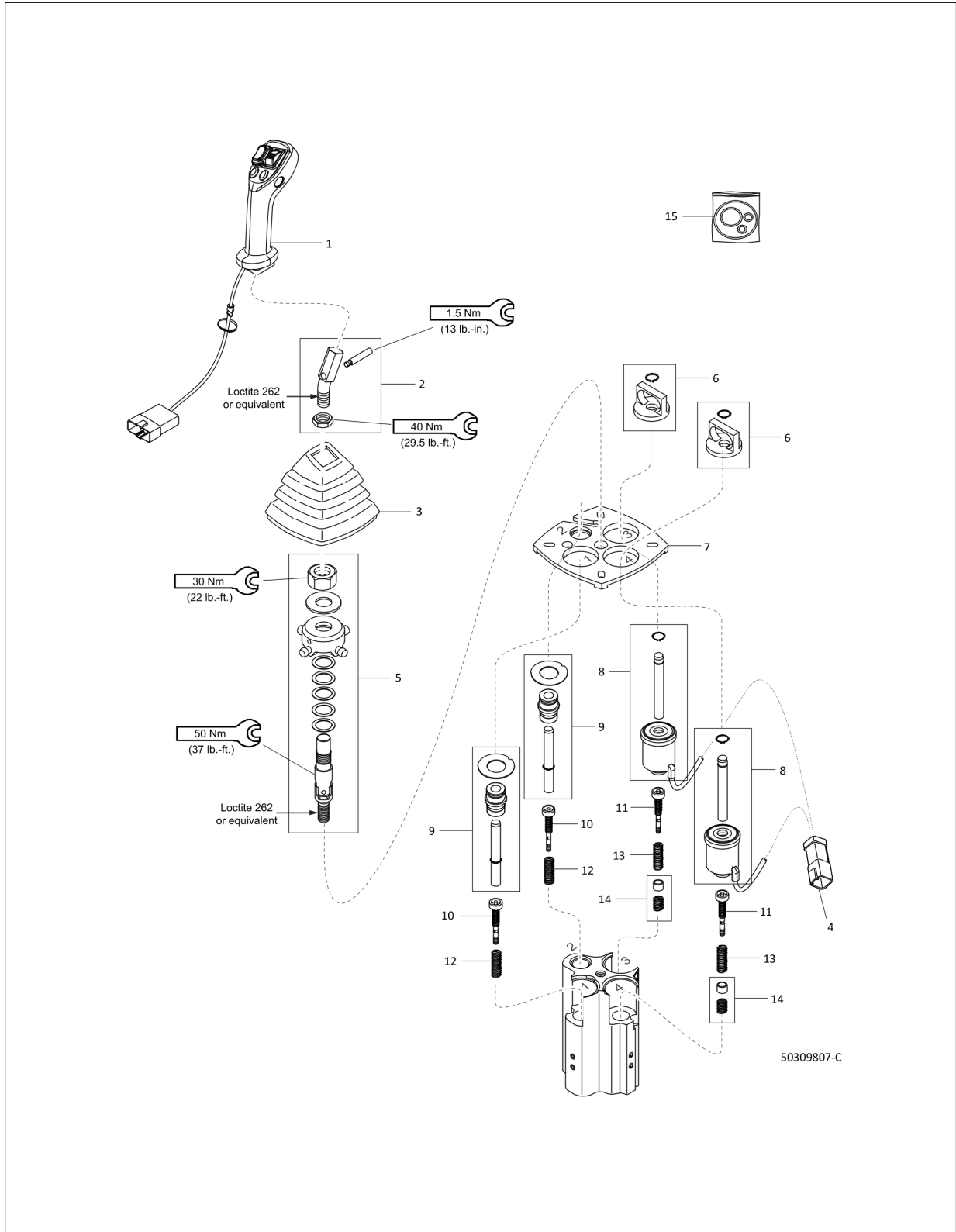
CLICK HERE TO **DOWNLOAD** THE COMPLETE MANUAL

# Hydraulics Auxiliary Hydraulics / 2nd (Control Valve Back)

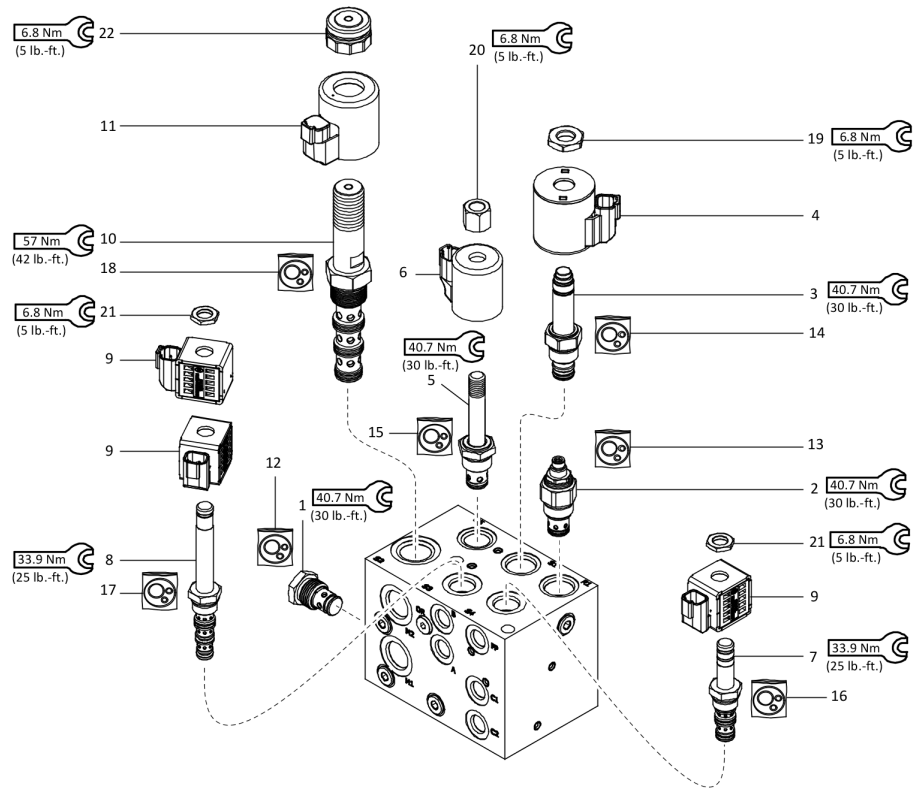




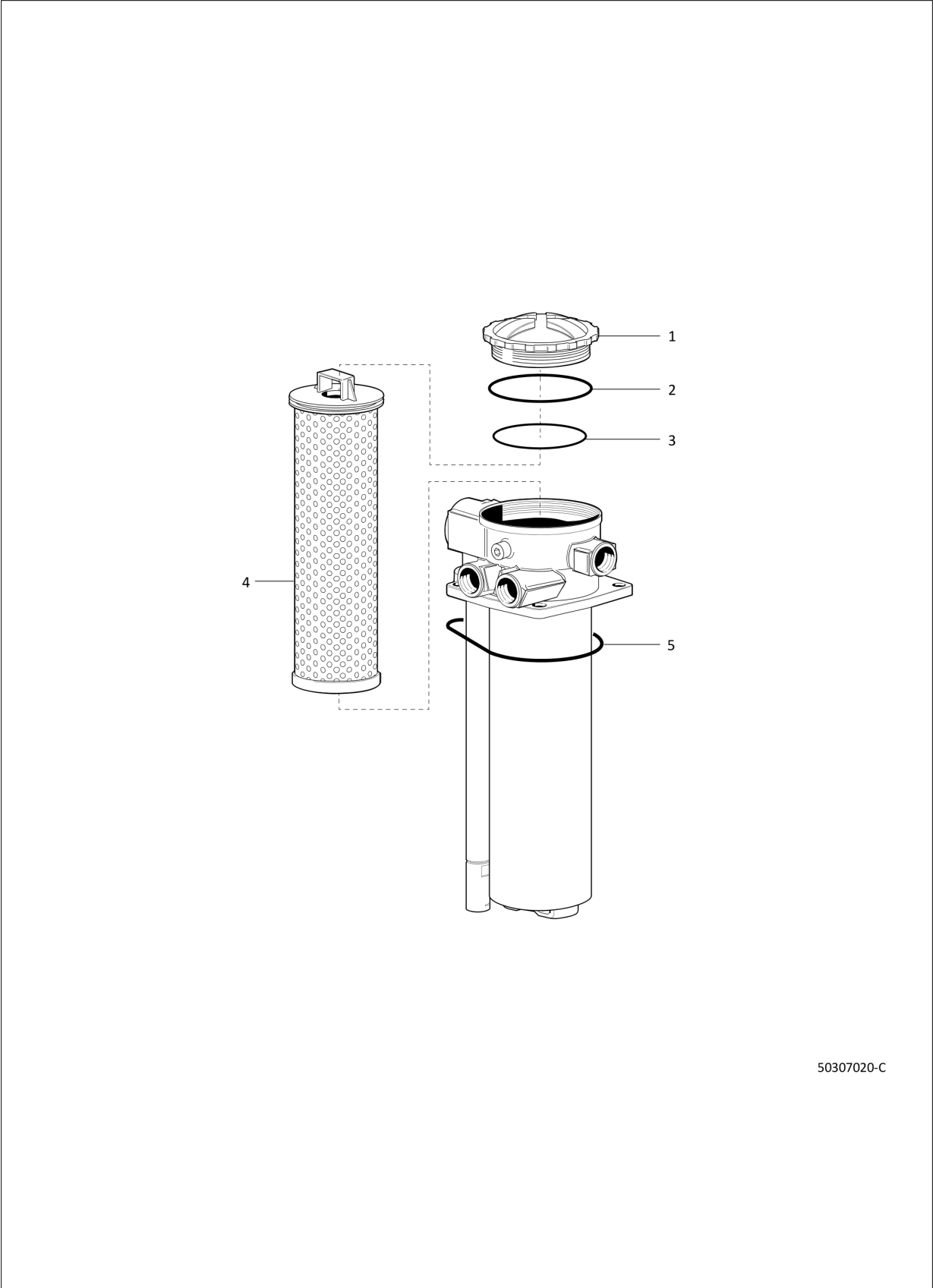
Item	Part No.	Name	Qty	Remarks
61	50308518	HOSE/HYD -04 X 133IN	1	
65	50309045	HOSE/HYD -06 X 38IN	1	
66	50309046	HOSE/HYD -06 X 49IN	1	
75	50309241	PLATE/COVER	1	
77	50315496	MANIFOLD/FAN/PAT/DL/2000PSI	1	
78	50311020	TUBE/HYD -10 FAN VALVE TANK	1	
79	50311021	TUBE/HYD -06 PAT VALVE OUT	1	
80	50311022	TUBE/HYD -06 PAT VALVE IN	1	
81	50311058	HOSE/HYD -06 X 14IN	1	
86	50313416	VALVE/STEER/GEROTOR	1	
87	50351825	HOSE/HYD -06 X 31 IN	1	
90	50657057	SHCS M8-1.25X140 C8.8 OCG DIN912	2	
92	570019	FITTING/GREASE 1/4 TAPER	1	
93	651448	LN INS M10-1.5 C8 ZY DIN985	2	
95	651696	CS FL M8-1.25X70 8.8 ZY DIN6921	2	
97	651706	LN INST FL M8-1.25 C8 ZY DIN6926	2	
101	656124	CS M8-1.25X60 C8.8 ZY DIN931	1	
102	656188	CS M10-1.5X70 C8.8 ZY DIN931	2	
105	50291575	KIT/SERVICE	1	For 50313416
106	50291576	O-RING/SET	1	
110	50314127	GUARD/POLY HOSE 0.5X12IN	2	
111	50314043	GUARD/POLY HOSE 0.5X24IN	3	
112	50314042	GUARD/POLY HOSE 1.0X30IN	1	
113	50314579	ST FJ06-MJ06 ORIFICE	1	



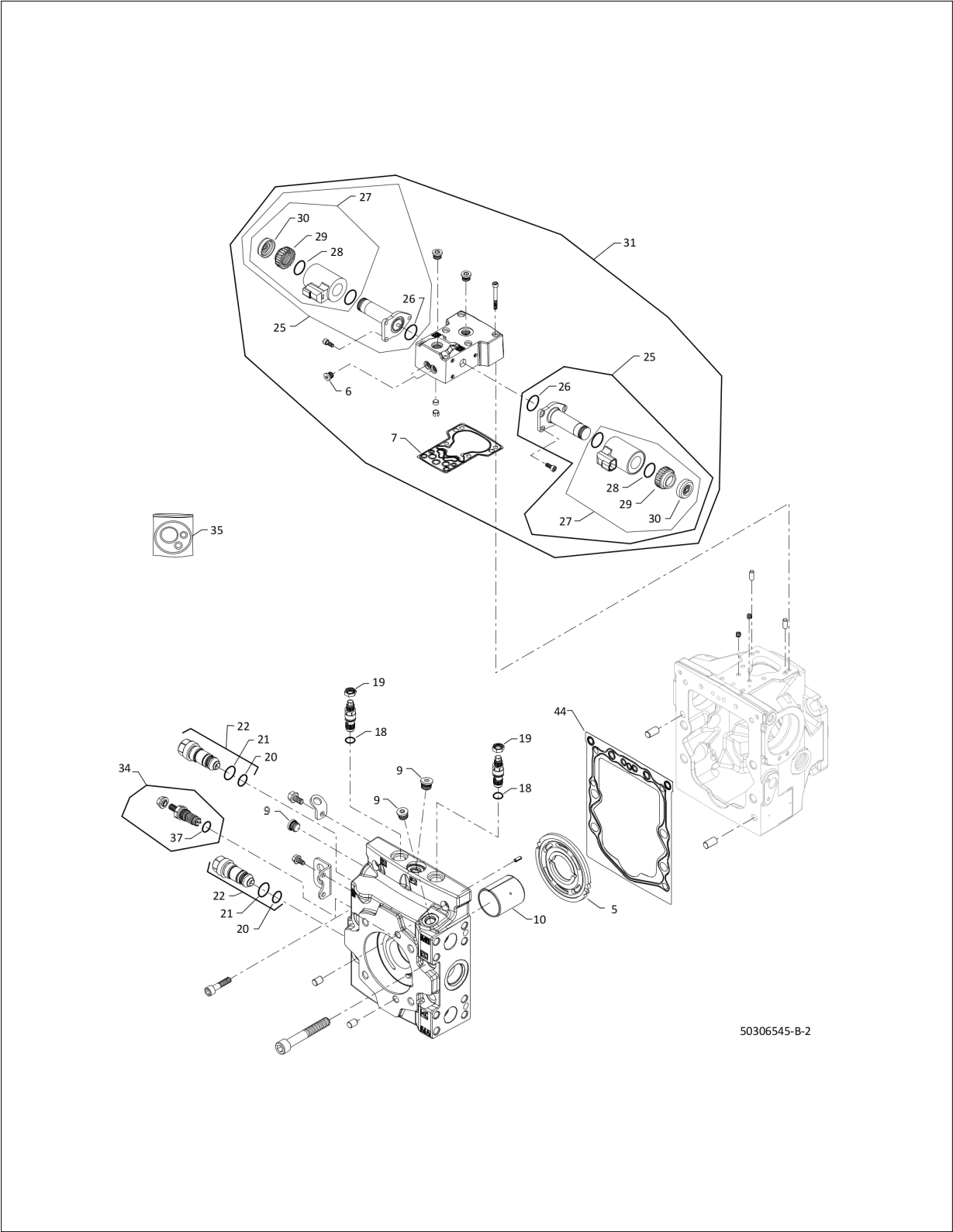
# Hydraulics 50310855 Multi-Function Manifold - SN 00060173 and Before



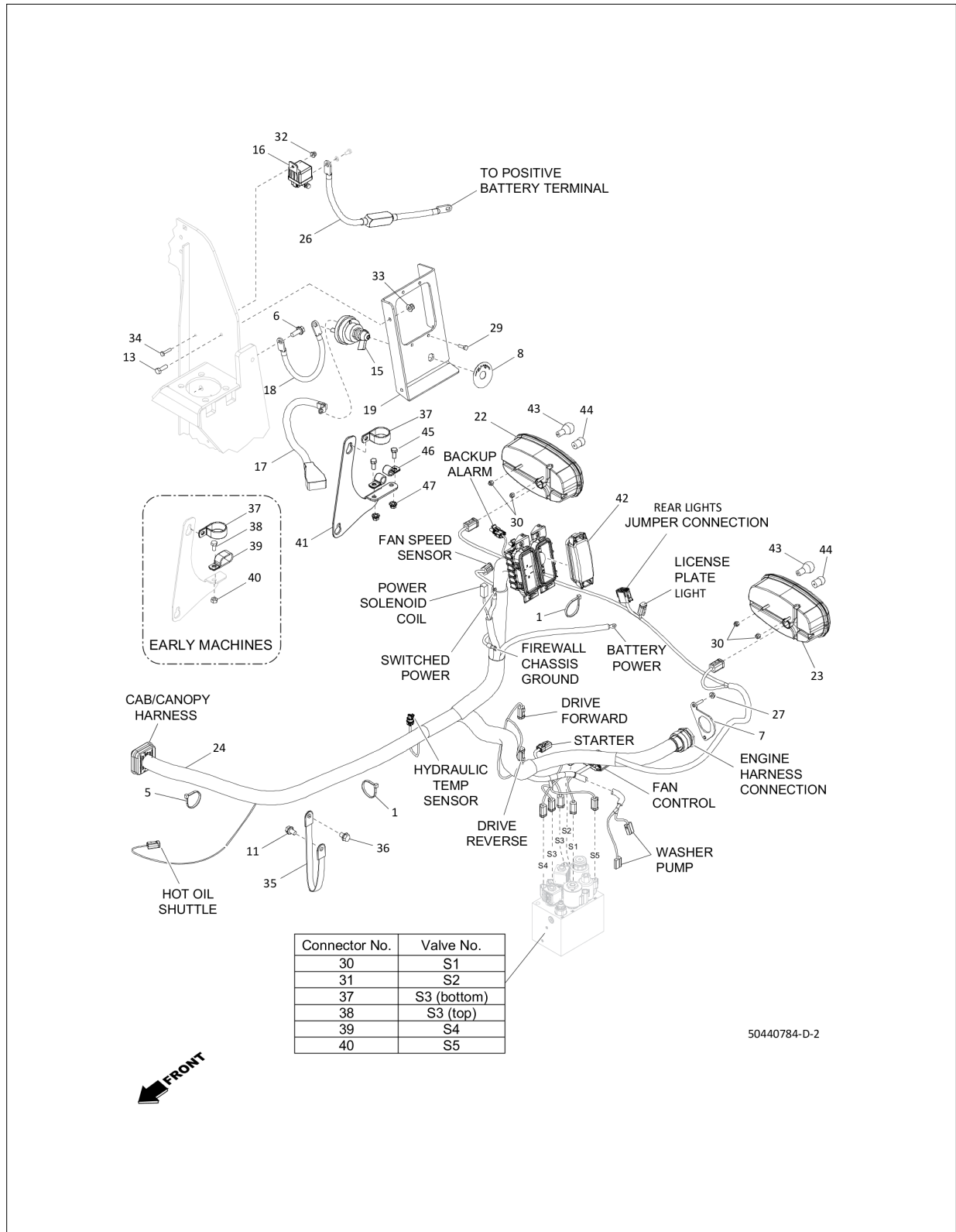
50310855-D



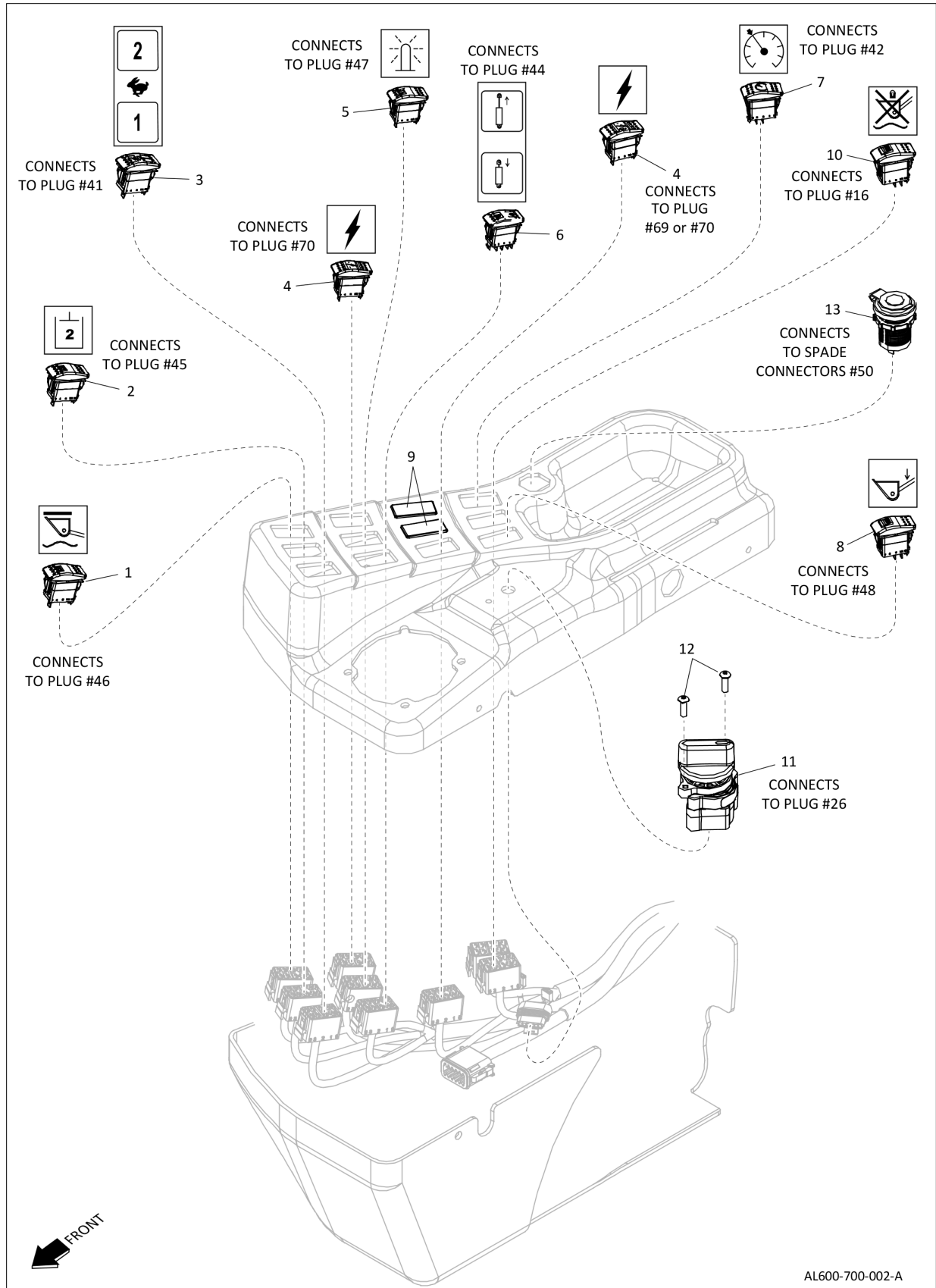
50307020-C



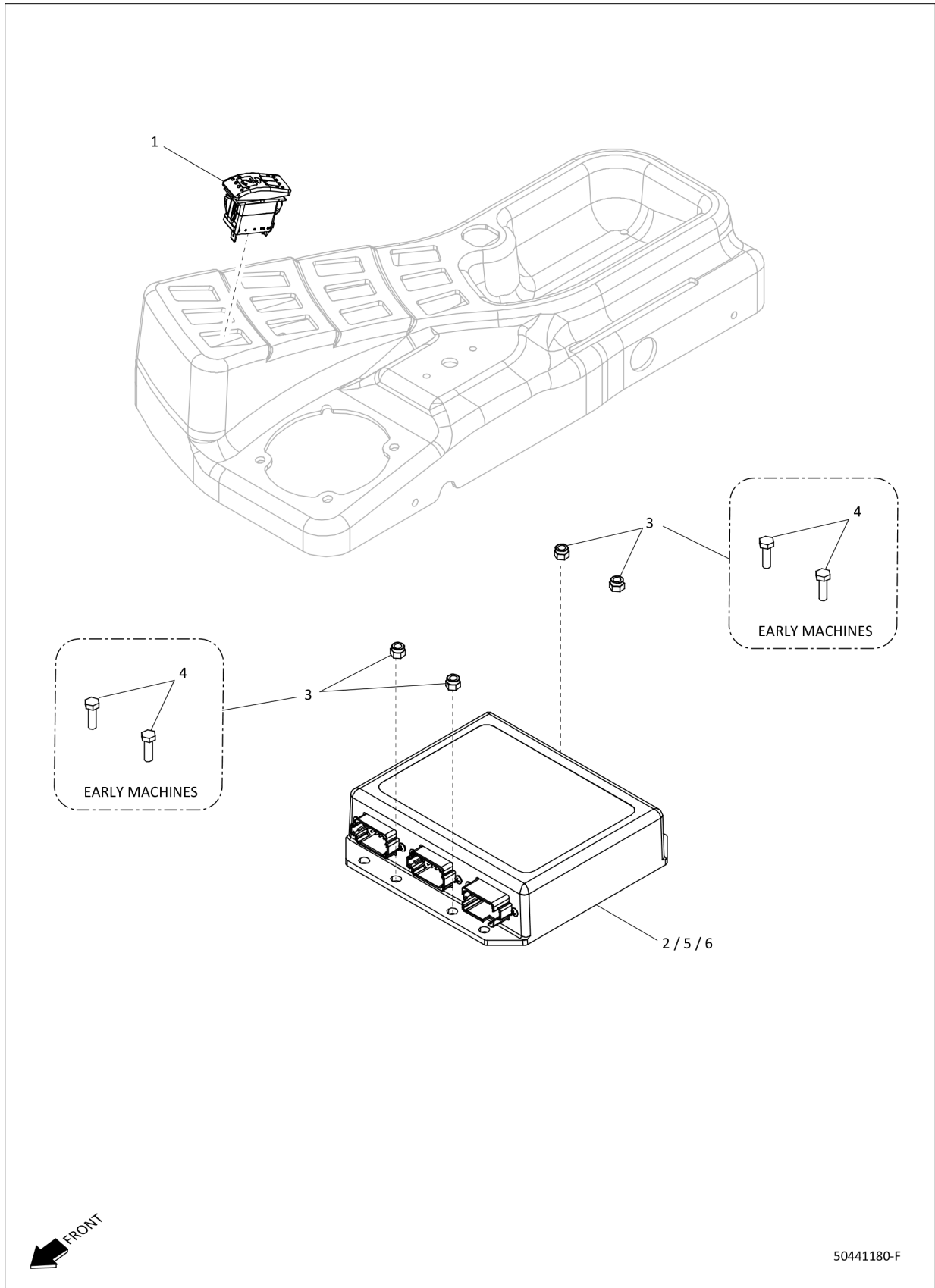
# Electrical Rear Chassis Electrical - SN 00060321 and Before



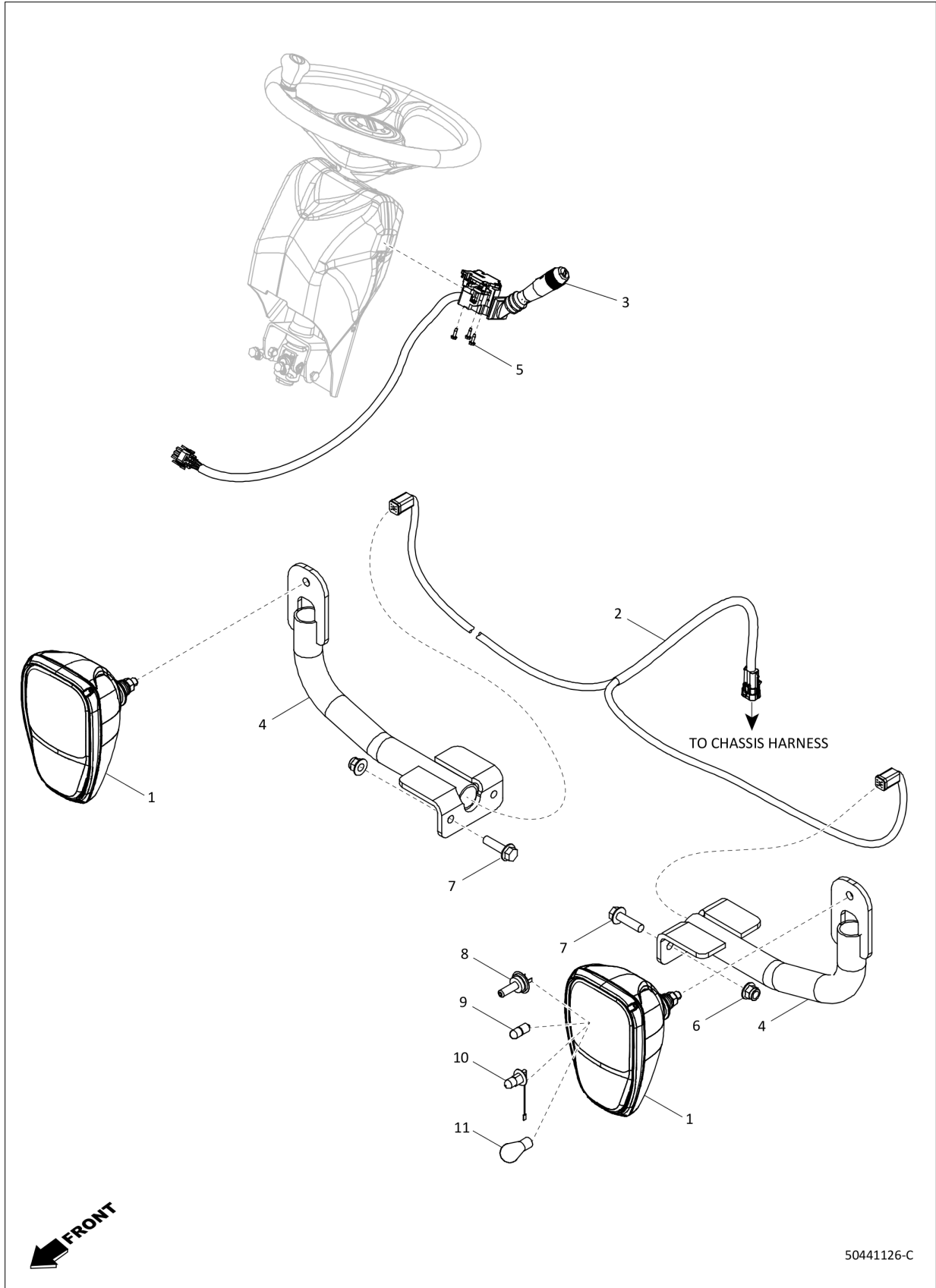
# Electrical Console Switches



# Electrical 3-Speed Module



# Electrical Road Lights (Option)

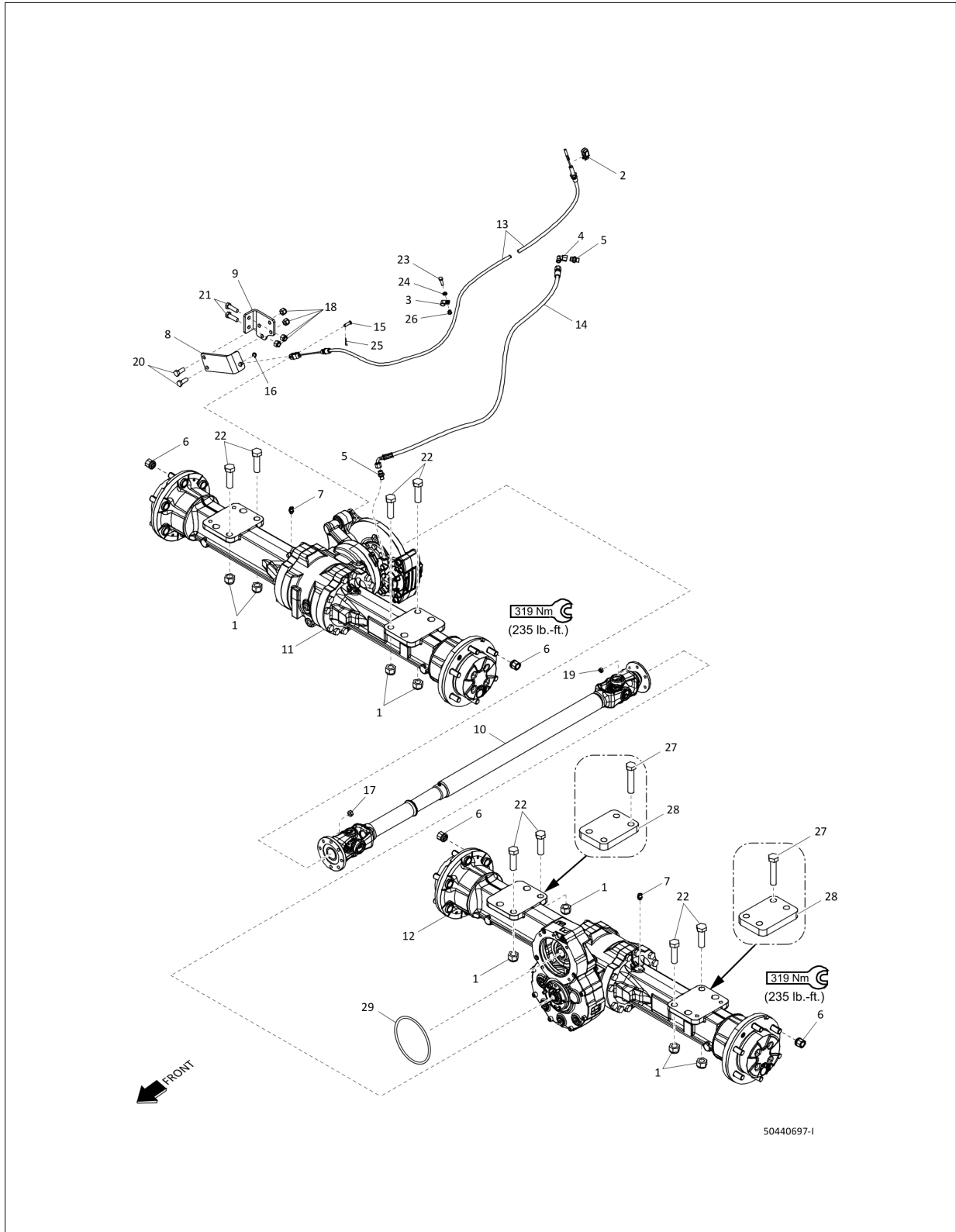


50441126-C

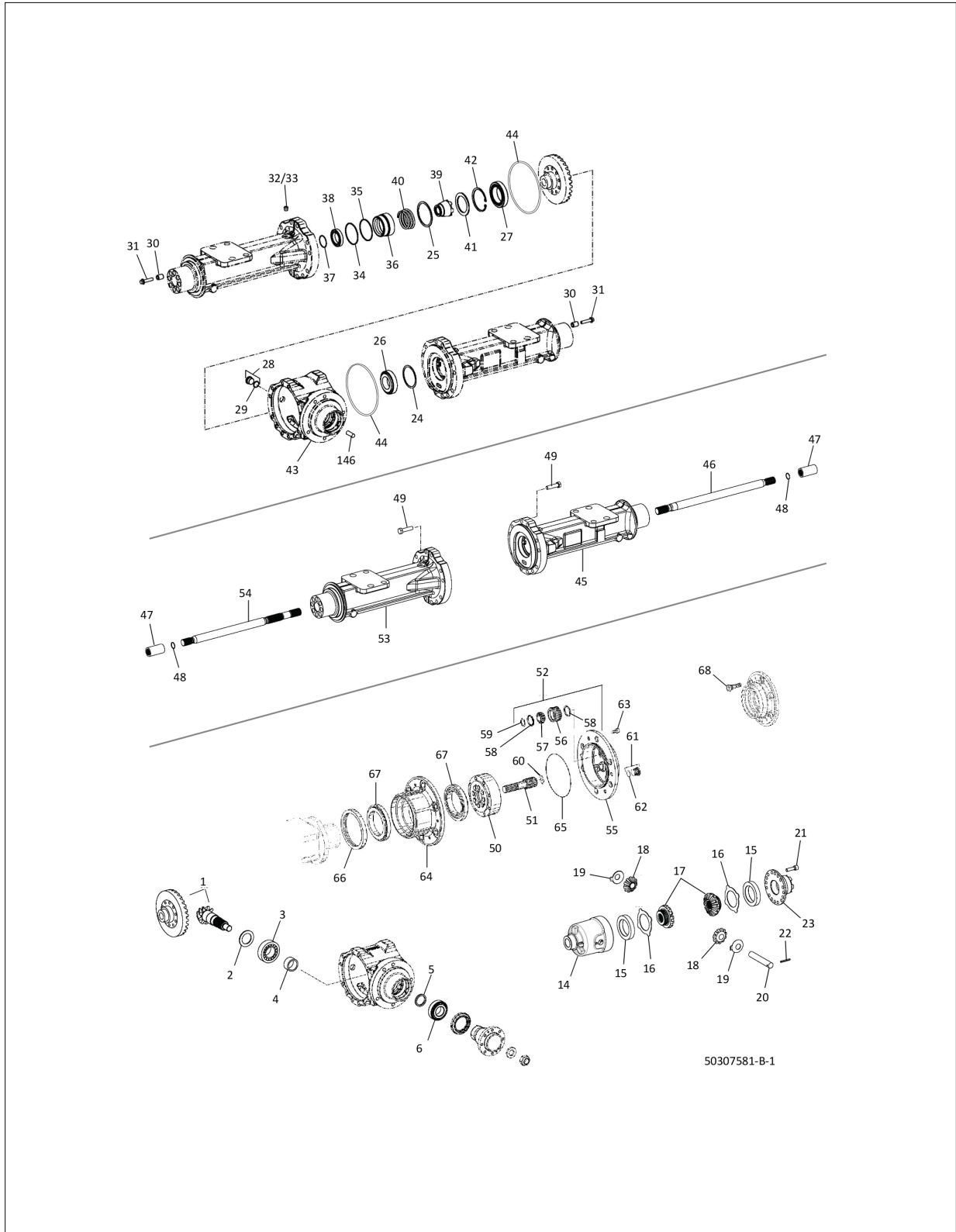
**Electrical** LED Work Lights (Option)



# Drivetrain Axle Assembly



# Drivetrain Rear Axle Components





AL600-0001-A

50291691	284	50291983	48, 50
50291692	284	50291984	48
50291693	284	50291985	48, 50
50291694	284	50291986	48, 50
50291695	284	50291987	48, 50
50291696	284	50291988	48, 50
50291697	284	50291992	30
50291698	284	50291993	36
50291699	284	50291994	22, 30
50291700	284	50291995	22, 30
50291701	284	50291996	34
50291702	284	50291997	32
50291703	284	50291998	30
50291704	284	50291999	32, 34, 36
50291705	284	50292000	32
50291706	284	50292001	22
50291707	279, 287	50292002	36
50291708	284	50292003	36
50291709	284	50292004	30
50291710	284	50292005	34
50291711	279, 287	50292006	32, 34
50291718	199, 276, 292	50292007	32, 34, 36
50291719	284	50292008	30
50291722	292	50292009	30
50291724	284	50292010	36
50291726	292	50292011	22, 30
50291727	292	50292012	34
50291728	284	50292013	32
50291729	278, 286	50292015	32, 34
50291740	292	50292018	30
50291742	284	50292019	34
50291743	284	50292020	22, 30
50291744	284	50292021	30
50291745	281, 289	50292022	30
50291746	281, 289	50292023	22, 30
50291747	281, 289	50292024	22, 30
50291748	281, 289	50292025	36
50291749	281, 289	50292026	36
50291750	281, 289	50292027	34
50291759	292	50292028	30
50291760	281, 281, 289, 289	50292029	32
50291765	281, 289	50292030	30
50291766	284	50292031	34
50291770	278, 286	50292032	32, 34
50291771	228, 228, 228, 228	50292033	32, 34
50291773	66, 70	50292034	30
50291774	70	50292035	36
50291776	66, 70	50292036	32, 34
50291777	56, 66, 70	50292037	32
50291778	70	50292038	32
50291779	70	50292039	32
50291780	70	50292040	32, 34
50291781	56	50292041	32
50291782	56, 66, 70	50292042	32
50291784	56	50292043	32
50291785	56	50292044	32, 34
50291786	56, 66, 70	50292045	34
50291801	202	50292046	32

CLICK HERE TO **DOWNLOAD** THE COMPLETE MANUAL

- Thank you very much for reading the preview of the manual.
- You can download the complete manual from: [www.heydownloads.com](http://www.heydownloads.com) by clicking the link below



- Please note: If there is no response to CLICKING the link, please download this PDF first and then click on it.

CLICK HERE TO **DOWNLOAD** THE COMPLETE MANUAL