

383Z

Compact Excavator

Beginning Serial Number: AE00465

GEHL®

Form No.
918195

Revision C
07/13



PARTS MANUAL

CLICK HERE TO **DOWNLOAD** THE COMPLETE MANUAL

- Thank you very much for reading the preview of the manual.
- You can download the complete manual from: www.heydownloads.com by clicking the link below




- Please note: If there is no response to CLICKING the link, please download this PDF first and then click on it.

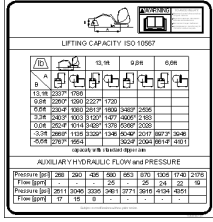
CLICK HERE TO **DOWNLOAD** THE COMPLETE MANUAL

383Z - DECALS

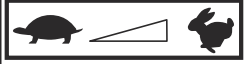
ISO INFORMATION / MISCELLANEOUS DECALS - (LATER MACHINES)

12 


Located on the chassis on both sides of the machine

15 

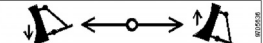
Located on the cab/canopy ceiling.

13 

Located in the cab/canopy next to the throttle lever.

16 

Located on the back of the machine.

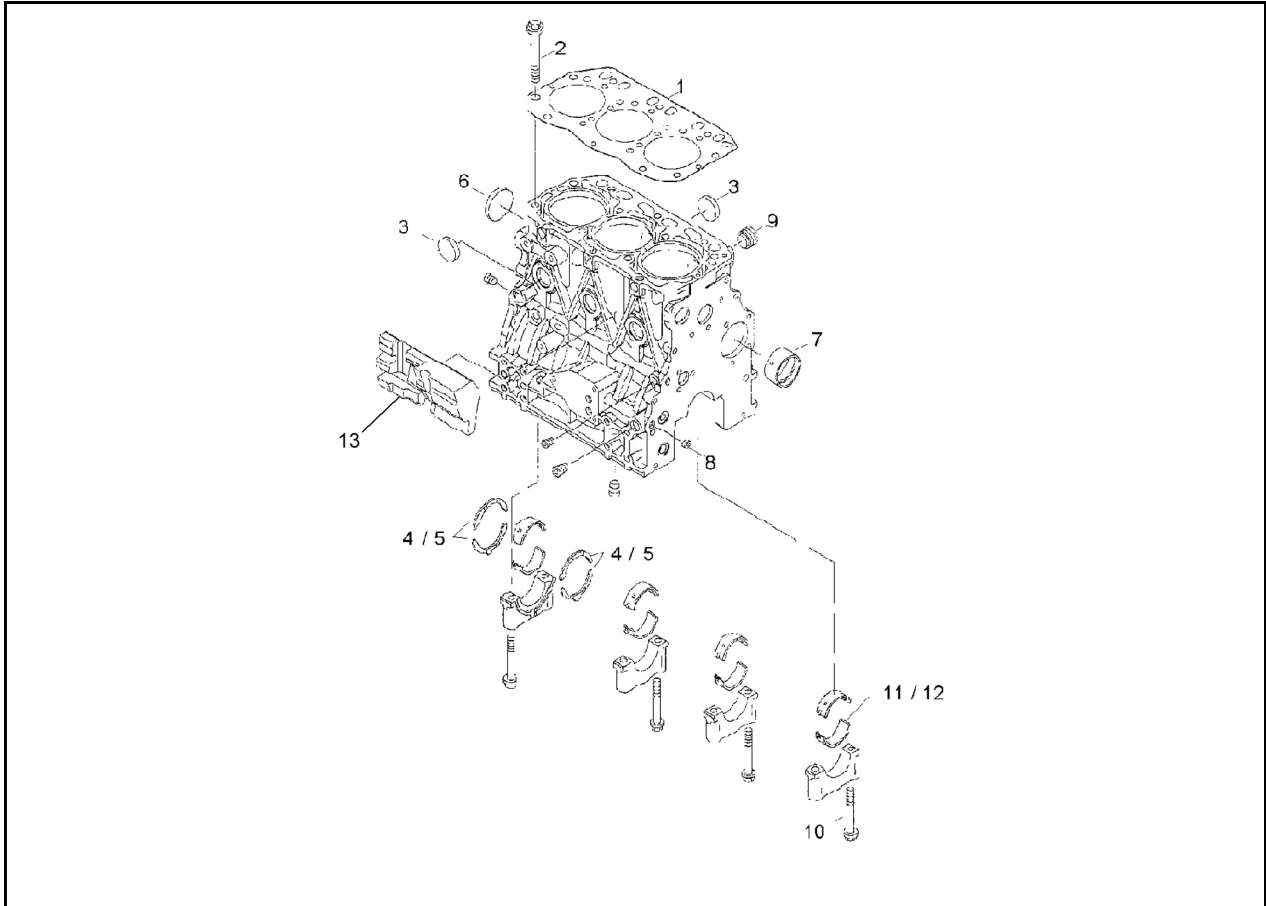
14 

Located in the cab/canopy next to the dozer blade control lever.

Ref. No.	Part No.	Description	Qty.
1	179699	DECAL/DIRECTION ARROW	2
2	50280027	DECAL/LIFT POINT	4
3	137632	DECAL/HYDRAULIC OIL	1
4	137634	DECAL/DIESEL FUEL	1
5	50280033	DECAL/SAE CONTROLS	1
6	184305	DECAL/GEHL 2.75 X 11.67 (WHITE)	1
7	184306	DECAL/GEHL 4.75 X 20.16	3
8	50280028	DECAL/TIE DOWN	4
9	50280024	DECAL/CONTROLS	1
10	205842	LUBE CHART	1
11	175546	DECAL/ZERO TAIL (DARK)	1
12	175296	DECAL/383Z	2
13	163974	DECAL/THROTTLE SPEED	1
14	177871	DECAL/DOZER BLADE UP/DOWN	1
15	206028	DECAL/LIFTING CAPACITY	1
16	205854	DECAL/REFLECTOR	2

383Z - CYLINDER BLOCK

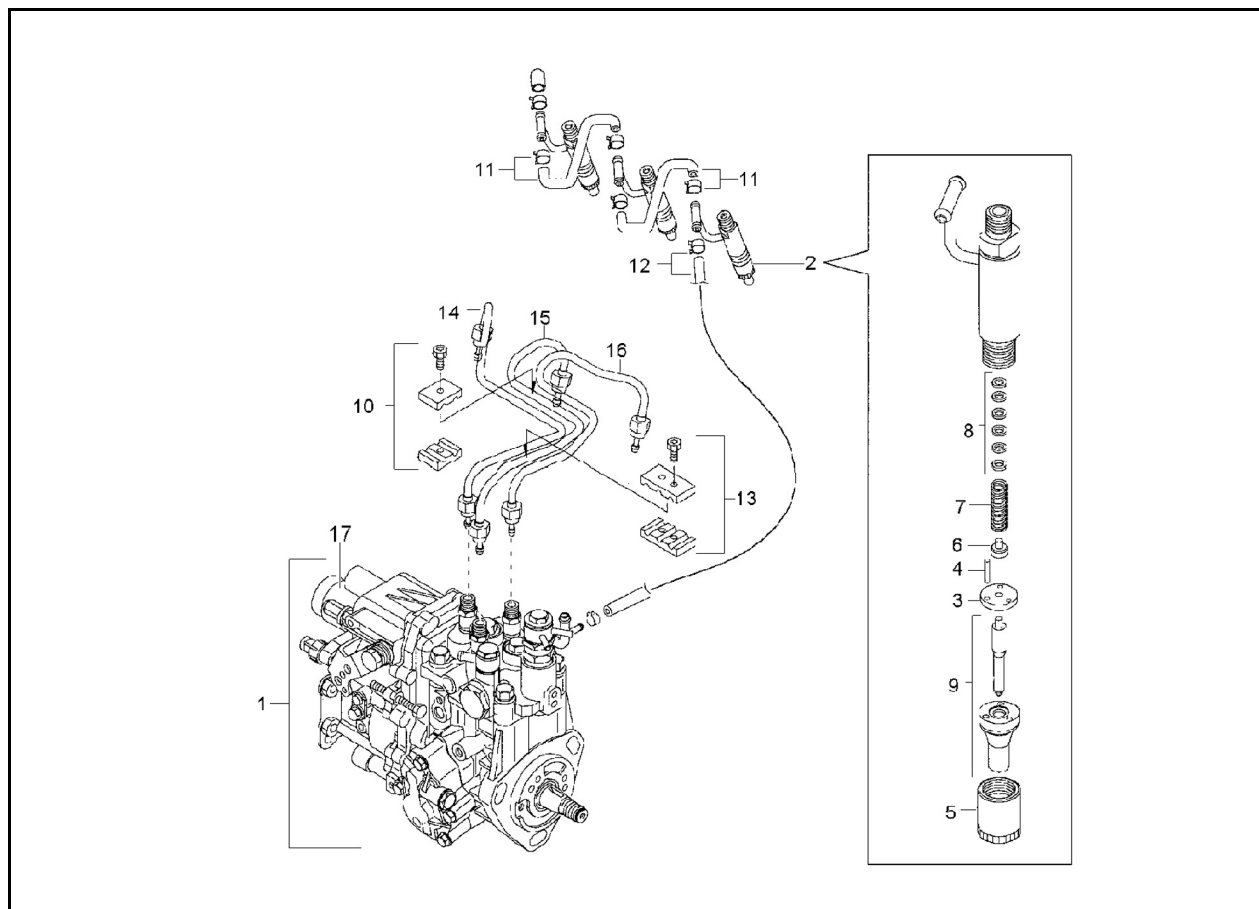
1000127575



Ref. No.	Part No.	Description	Qty.	Ref. No.	Part No.	Description	Qty.
1	425-36241	CYLINDER HEAD GASKET	1	8	177260	PLUG	2
2	206387	CYLINDER HEAD SCREW	14	9	206388	PLUG	1
3	0210110506	COVER	6	10	206389	SCREW	8
4	177240	AXIAL BEARING	2	11	177288	MAIN BEARING SET	4
5	177362	AXIAL BEARING (US=0.25)	2	12	177241	MAIN BEARING SET (US=0.25)	4
6	177252	PLUG	1	13	188538	SPACER	1
7	177290	BUSHING	1				

383Z - FUEL INJECTION EQUIPMENT

1000152898 - (SN AG00572 AND BEFORE)

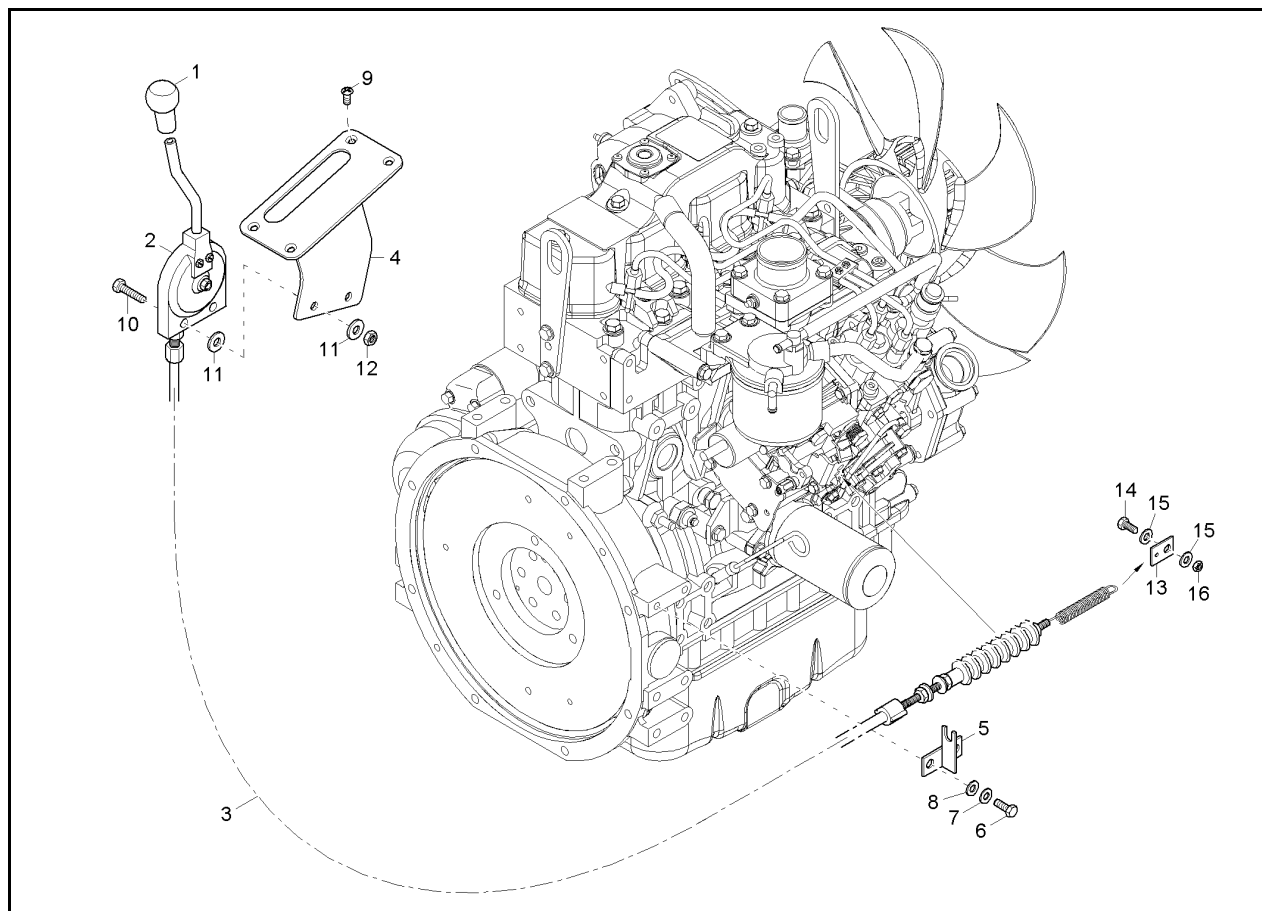


Ref. No.	Part No.	Description	Qty.
1	204196	INJECTION PUMP	1
2	177379	INJECTION NOZZLE	3
3	164372	PLATE - STOP	3
4	164373	PIN	6
5	164368	NUT	3
6	164371	SEAT- NOZZLE SPRING	3
7	164370	SPRING - NOZZLE	3
8	164663	ADJUSTING WASHER	3
9	177380	NOZZLE	3

Ref. No.	Part No.	Description	Qty.
10	206363	CLAMP	1
11	209933	BLEED LINE	2
12	177358	TUBE	1
13	209978	CLAMP	1
14	177343	PIPE LINE	1
15	177342	PIPE LINE	1
16	177341	PIPE LINE	1
17	189575	SOLENOID/STOP	1

383Z - THROTTLE

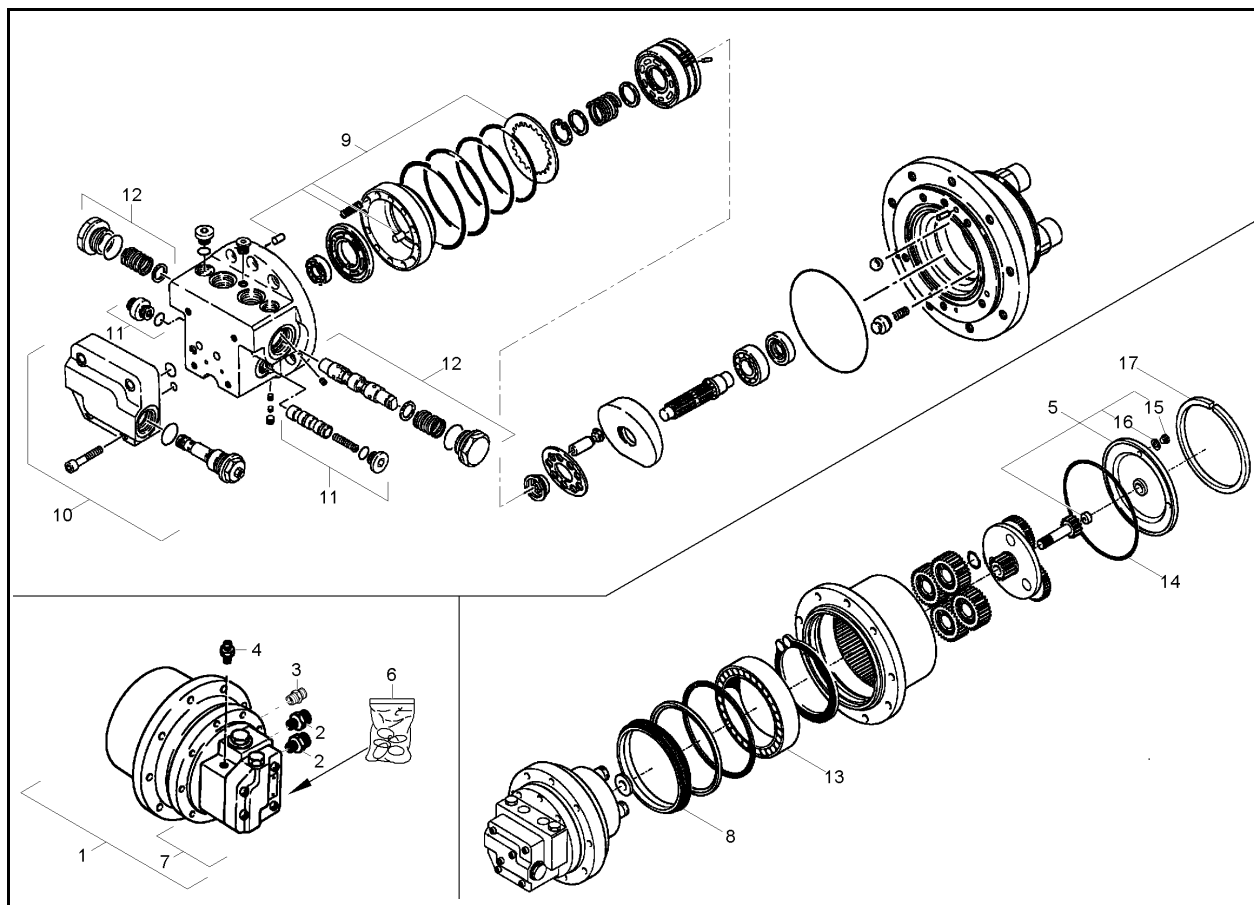
1000154370



Ref. No.	Part No.	Description	Qty.
1	162398	KNOB	1
2	164711	THROTTLE LEVER	1
3	205586	THROTTLE CABLE	1
4	205585	BRACKET	1
5	177423	BRACKET GAS CABLE	1
6	177648	HEX SCREW	2
7	163670	LOCKWASHER	2
8	161668	WASHER/GR A 8.4 ZO DIN134	2

Ref. No.	Part No.	Description	Qty.
9	161634	SCREW/C'SUNK HD M5X16	4
10	656128	CS M6-1X30 C8.8 ZY	2
11	161660	WASHER GR A6.4 ZO DIN 125	4
12	161678	HN M6-1.00 C8 ZO	2
13	162355	BRACKET	1
14	656093	CS M8-1.25X16 C8.8 ZY DIN931	1
15	163634	WASHER	2
16	651458	LN INS M8-1.25 C8 ZY DIN6924	1

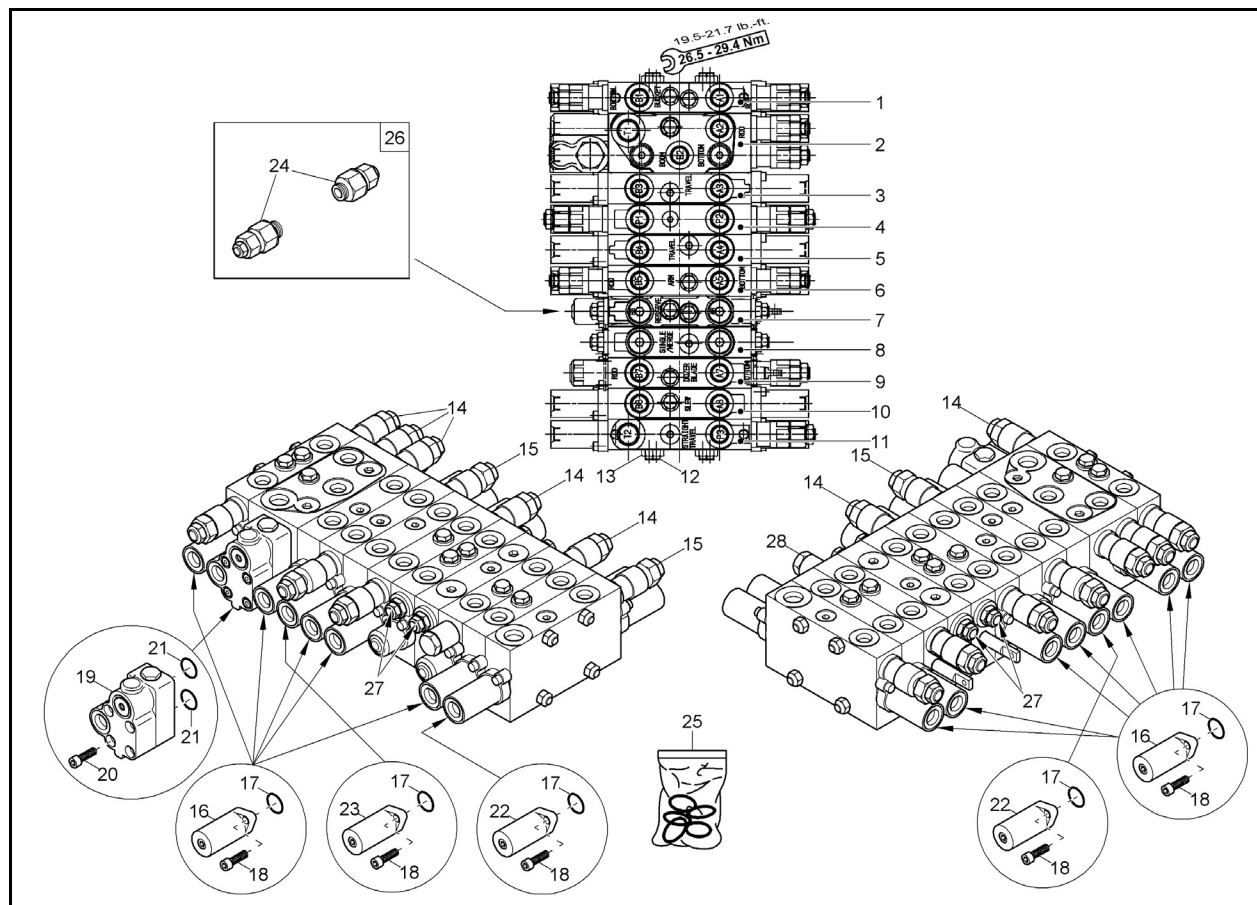
383Z - DRIVE MOTOR 1000153550 - (SN AE00854 AND BEFORE)



Ref. No.	Part No.	Description	Qty.
1	160723	DRIVE MOTOR COMPLETE	2
2	165965	SCREW JOINT	4
3	179837	SCREW JOINT	2
4	165970	SCREW JOINT	2
5	162531	COVER SET	2
6	162186	SEAL KIT	2
7	162130	HYDRAULIC MOTOR	2
8	207050	LIFE TIME SEAL	2
9	178147	BRAKE ASSY COMPLETE	2

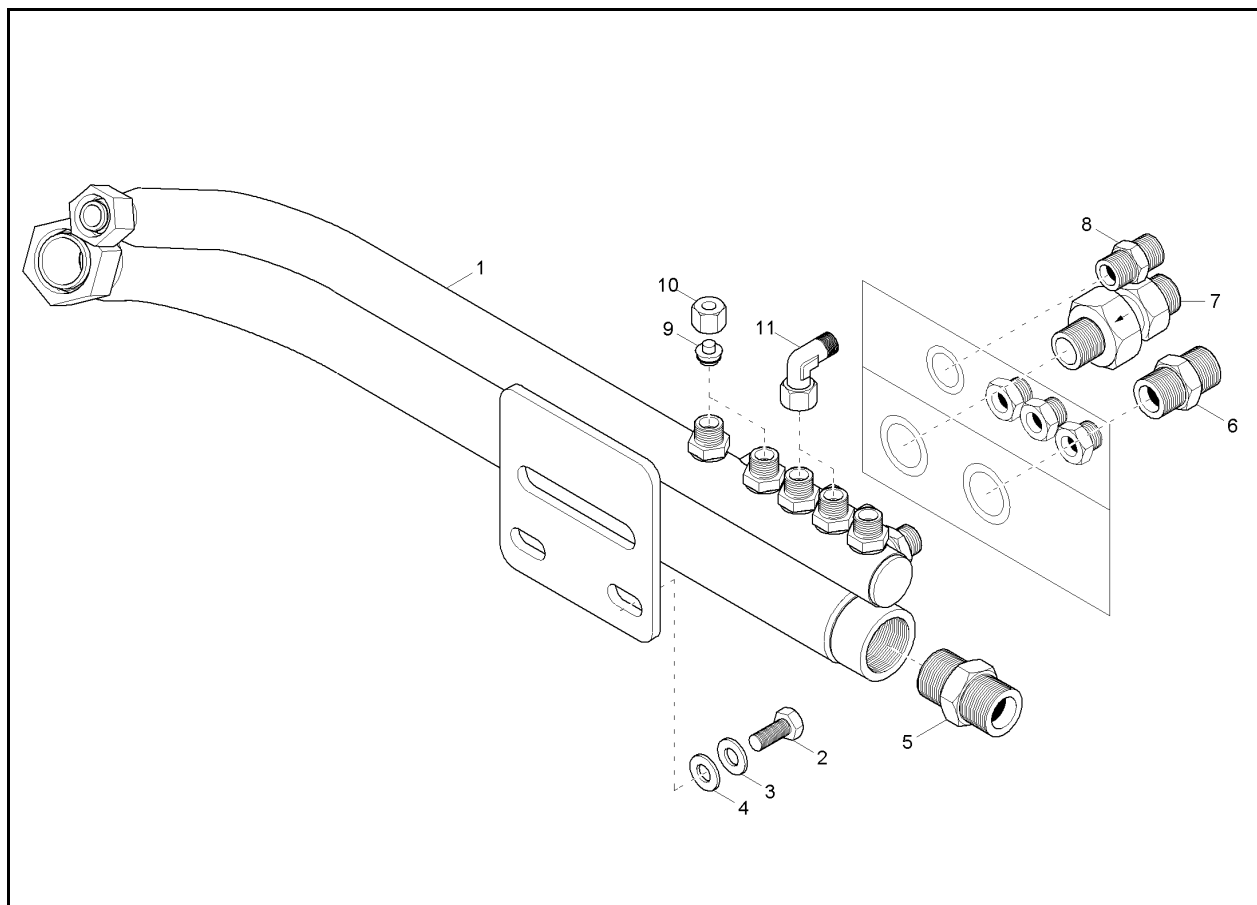
Ref. No.	Part No.	Description	Qty.
10	162181	HOUSING	2
11	207051	CONTROL PLUNGER	2
12	207052	BRAKE VALVE	2
13	162125	BEARING	2
14	162532	O-RING	2
15	161415	PLUG	4
16	162264	WASHER	4
17	162529	WASHER	2

383Z - CONTROL VALVE 2 1000155325 - (SN AG00994 AND BEFORE)



Ref. No.	Part No.	Description	Qty.	Ref. No.	Part No.	Description	Qty.
1	165534	BUCKET SEGMENT	1	15	161359	PRESSURE RELIEF VALVE-PRI	3
2	205977	BOOM SEGMENT	1	16	178968	PILOT CONTROL CAP	12
3	165532	DRIVE SEGMENT (RT)	1	17	165541	SEAL	15
4	165531	INPUT SEGMENT	1	18	205981	SCREW	30
5	165530	DRIVE SEGMENT (LT)	1	19	205982	VALVE CAP	1
6	205978	DIPPER ARM SEGMENT	1	20	205983	SCREW	5
7	165528	AUXILIARY HYDRAULICS SEGMENT	1	21	162178	O-RING	2
8	165527	AUXILIARY HYDRAULICS SEGMENT	1	22	205984	VALVE CAP	2
9	207468	DOZER BLADE SEGMENT	1	23	178970	PILOT CONTROL CAP	1
10	205979	ROTARY SEGMENT	1	24	165536	PRESSURE RELIEF VALVE (OPTION)	2
11	165524	AUXILIARY SEGMENT	1	25	205976	SEAL KIT CONTROL VALVE	1
12	205980	TIE ROD	4	26	206123	SHOCK RETROFIT KIT	1
13	178100	NUT	8	27	205117	SHUT OFF VALVE	4
14	165536	PRESSURE RELIEF VALVE	7	28	165543	NON-RETURN VALVE	1

383Z - MANIFOLD
1000154409

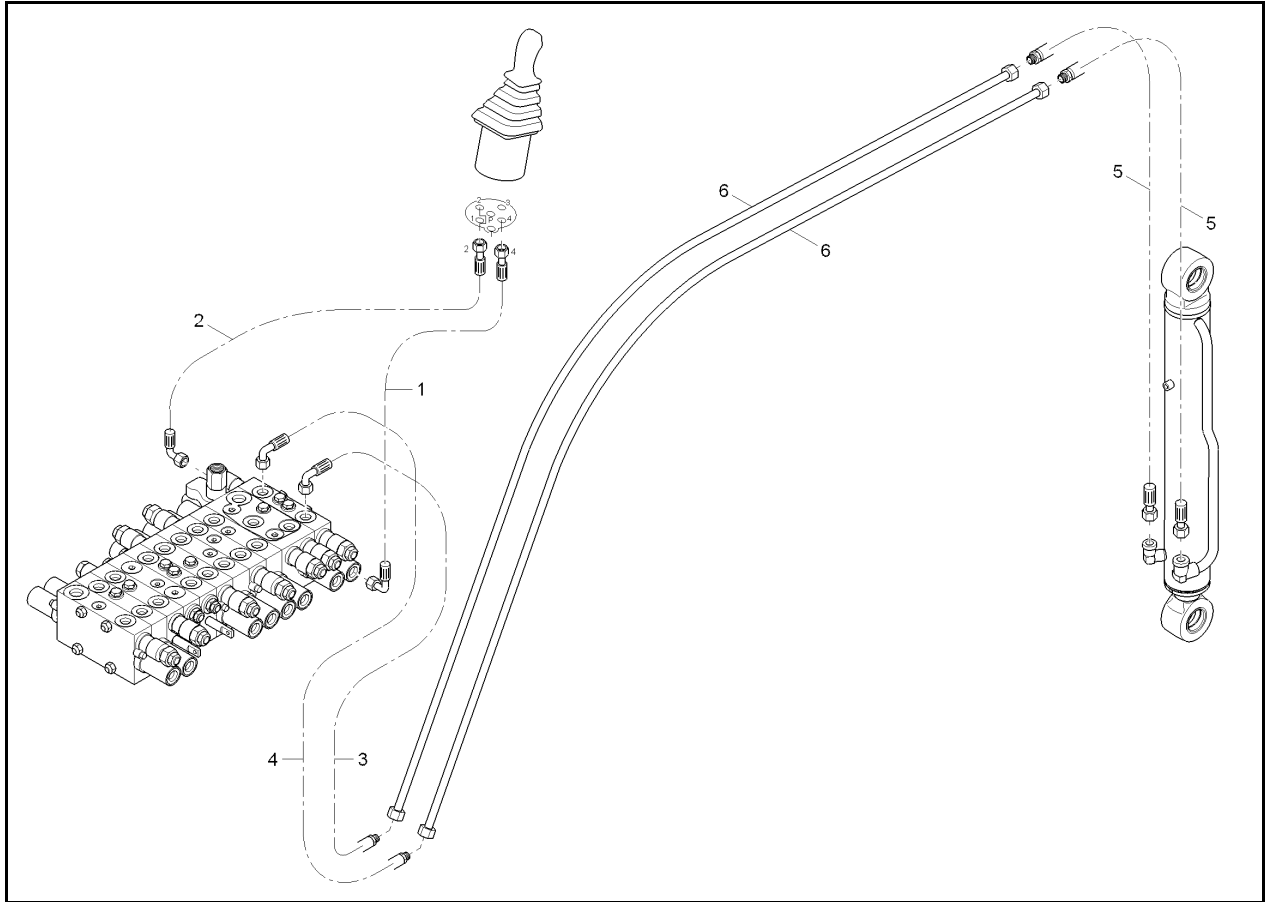


Ref. No.	Part No.	Description	Qty.
1	205966	MANIFOLD	1
2	656006	CS M10-1.5X20 C8.8 ZY DIN931	2
3	161669	LOCKWASHER S10	2
4	161640	WASHER/GR A 10.5	2
5	177455	SCREW JOINT	1
6	161434	SCREW JOINT	1

Ref. No.	Part No.	Description	Qty.
7	205837	NON RETURN VALVE	1
8	161430	SCREW JOINT	1
9	205695	STOPPER	1
10	164929	NUT	2
11	161443	90° FITTING	2

383Z - BUCKET OPERATION LONG ARM

1000269803 - (SN AG04101 AND UP)



Ref. No.	Part No.	Description	Qty.	Ref. No.	Part No.	Description	Qty.
1	162405	HP HOSE	1	4	205831	HP HOSE	1
2	160647	HP HOSE	1	5	205892	HP HOSE (1570MM)	2
3	205830	HP HOSE	1	6	205839	HYDRAULIC TUBE	2

CLICK HERE TO **DOWNLOAD** THE COMPLETE MANUAL

- Thank you very much for reading the preview of the manual.
- You can download the complete manual from: www.heydownloads.com by clicking the link below

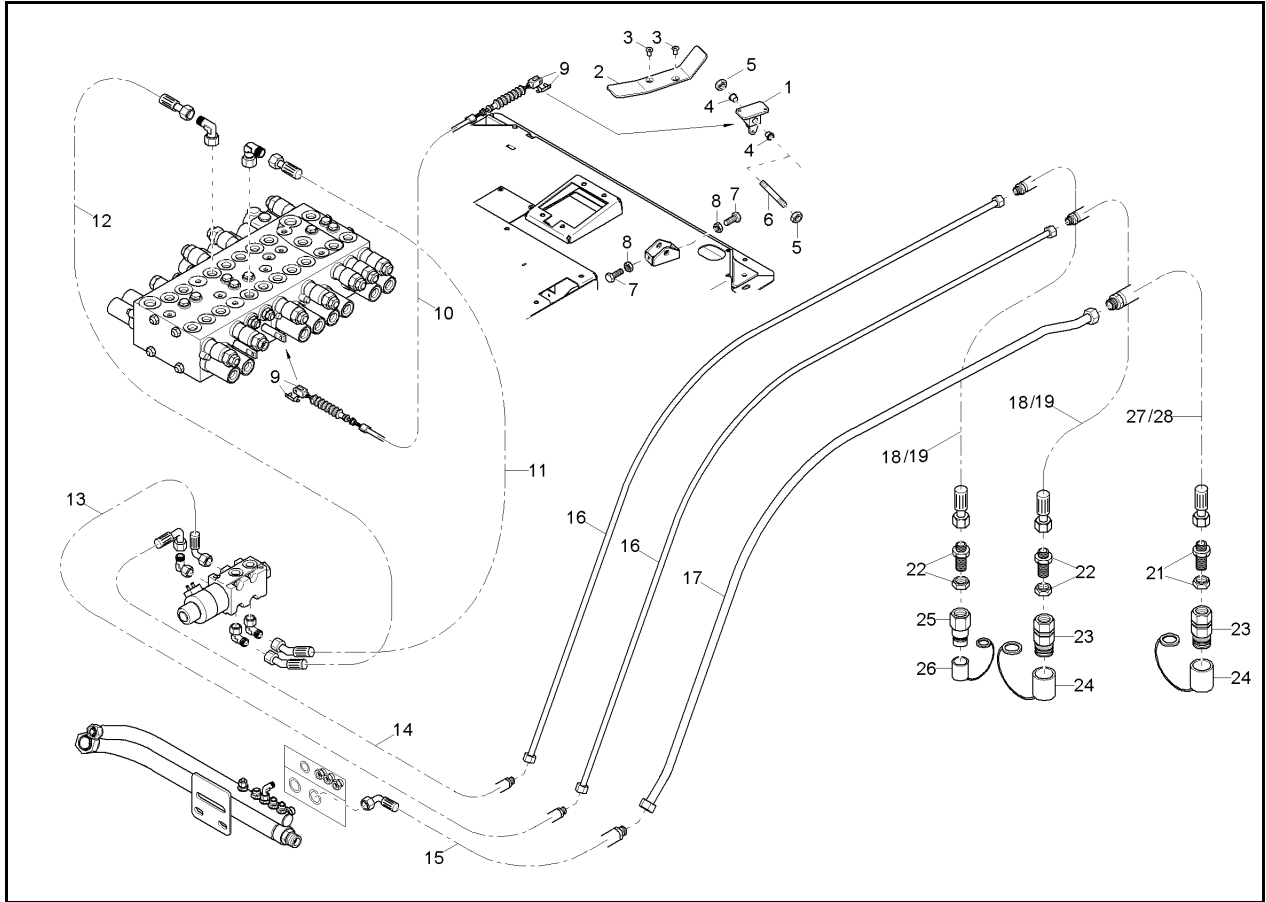


- Please note: If there is no response to CLICKING the link, please download this PDF first and then click on it.

CLICK HERE TO **DOWNLOAD** THE COMPLETE MANUAL

383Z - AUXILIARY HYDRAULICS OPERATION

1000172705 - (SN AE02191 - AG04100)

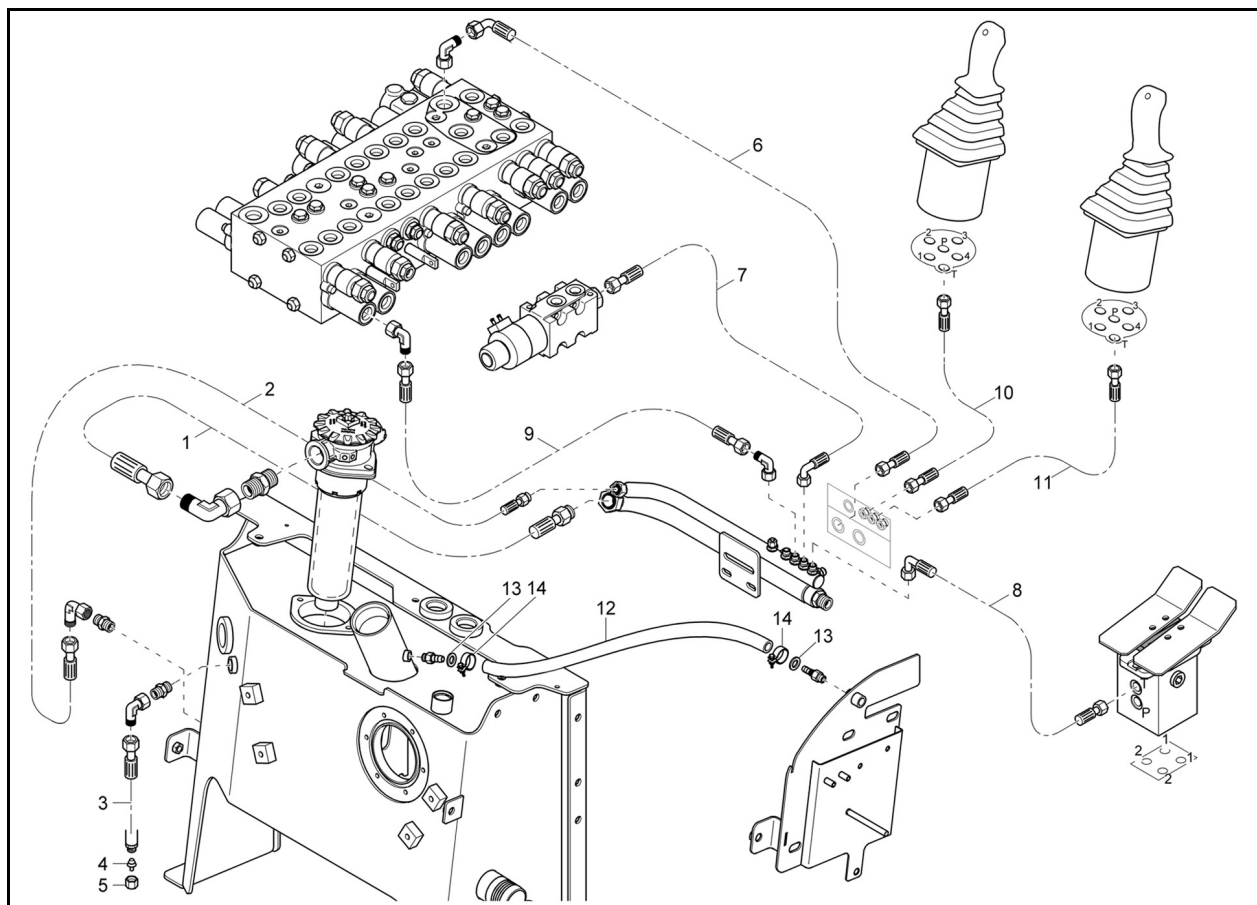


Ref. No.	Part No.	Description	Qty.
1	205794	LEVER	1
2	50280562	PEDAL	1
3	651465	FHSCS M8-1.25X16 C8.8 ZY DIN7991	2
4	165567	BEARING	2
5	179793	NUT	2
6	165550	PIN	1
7	651507	SHCS M6-1X20 C8.8 OCG DIN912	2
8	656047	HN M6-1 C8 ZY DIN934	2
9	206347	CLEVIS	2
10	205797	CABLE	1
11	205828	HP HOSE	1
12	205690	HP HOSE	1
13	205834	HP HOSE	1
14	205835	HP HOSE	1
15	205809	HP HOSE	1

Ref. No.	Part No.	Description	Qty.
16	205840	HYDRAULIC TUBE	2
17	205841	HYDRAULIC TUBE	1
18	204670	HP HOSE (900MM)*	2
19	204675	HP HOSE (1150MM)*	2
21	177911	LOCK SCREW CONNECTION	1
22	205707	BULK HEAD UNION 15L 1/2	2
23	177798	COUPLING/FEMALE A13 BG3	2
24	177804	DUST CAP SLEEVE	2
25	177797	COUPLING/MALE A13 BG3	1
26	177803	DUST CAP PLUG	1
27	204671	HP HOSE (950MM)*	1
28	204676	HP HOSE (1200MM)*	1

***For all 383z excavators (SN AE02191 and up), measure the HP hose before ordering a replacement. Refer to page 101.**

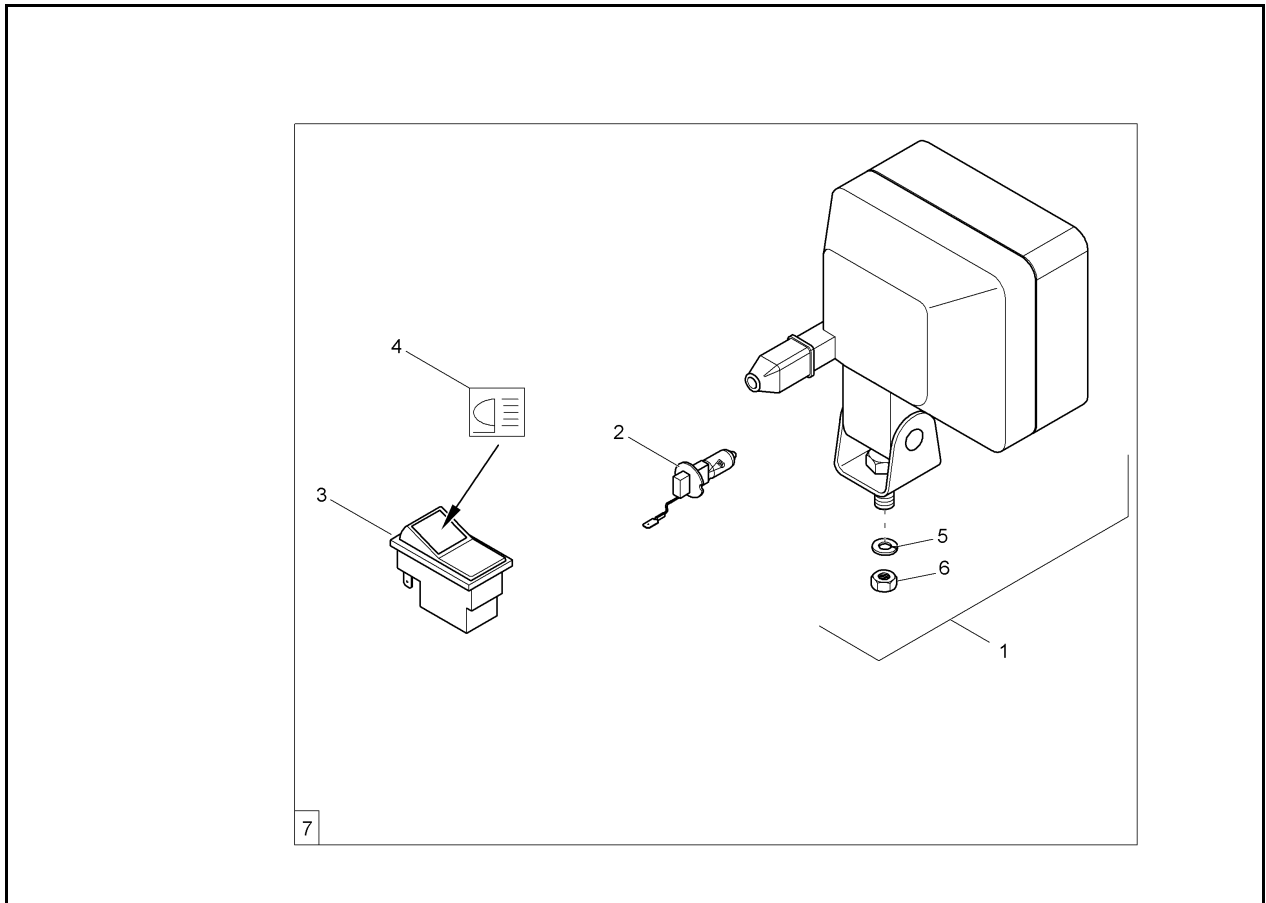
383Z - PILOT LINES 1000161974 - (SN AG04100 AND BEFORE)



Ref. No.	Part No.	Description	Qty.
1	205811	HP HOSE	1
2	205891	HP HOSE	1
3	205808	HP HOSE (SN AG02320 AND BEFORE)	1
4	161418	PLUG (SN AG02320 AND BEFORE)	1
5	7788010663	UNION NUT AL 12 VERZ. (SN AG02320 AND BEFORE)	1
6	205691	HP HOSE	1
7	179523	HP HOSE	1

Ref. No.	Part No.	Description	Qty.
8	164795	HP HOSE	1
9	205807	HP HOSE	1
10	205823	HP HOSE	1
11	178512	HP HOSE	1
12	50286886	FUEL LINE (0.22M)	1
13	178067	SEALING RING	2
14	178051	HOSE CLAMP	2

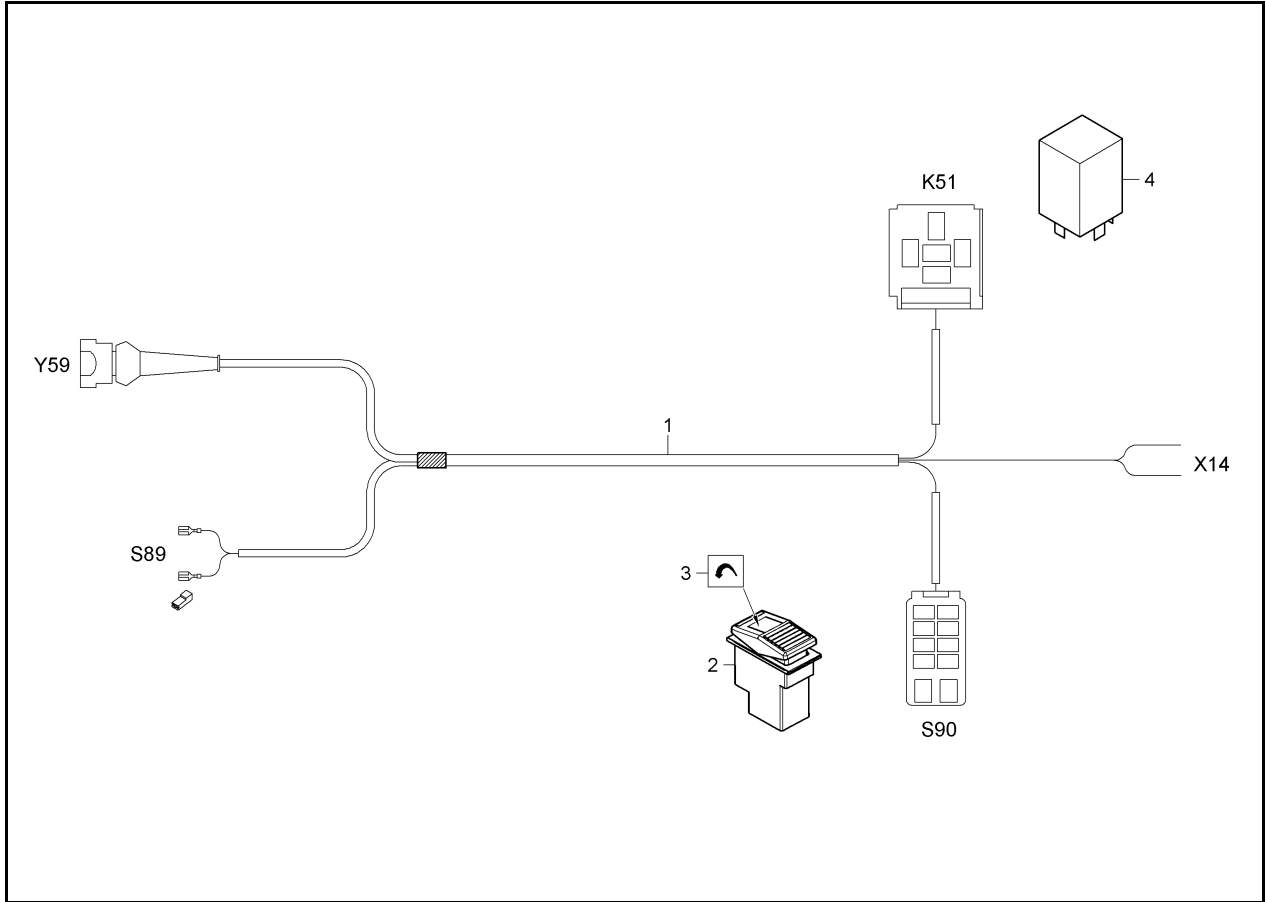
**383Z - REAR CAB WORK LIGHT (OPTION)
1000124310 - (SN AG04233 AND BEFORE)**



Ref. No.	Part No.	Description	Qty.
1	50280558	WORK LIGHT COMPLETE (INCLUDES REF. NO. 2, 5 & 6)	1
2	161367	HALOGEN BULB	1
3	164884	ROCKER SWITCH - 2 POSITION	1
4	164871	WORK LIGHT SYMBOL	1

Ref. No.	Part No.	Description	Qty.
5	161623	LW SPRING B10 DIN7981	1
6	651448	LN INS M10-1.5 C8 ZY DIN6924	1
7	177051	RETROFIT KIT - CAB HEADLIGHT BACK	1

383Z - WIRE HARNESS THROTTLE AUTO-IDLE CONTROL VALVE (OPTION) 1000179592

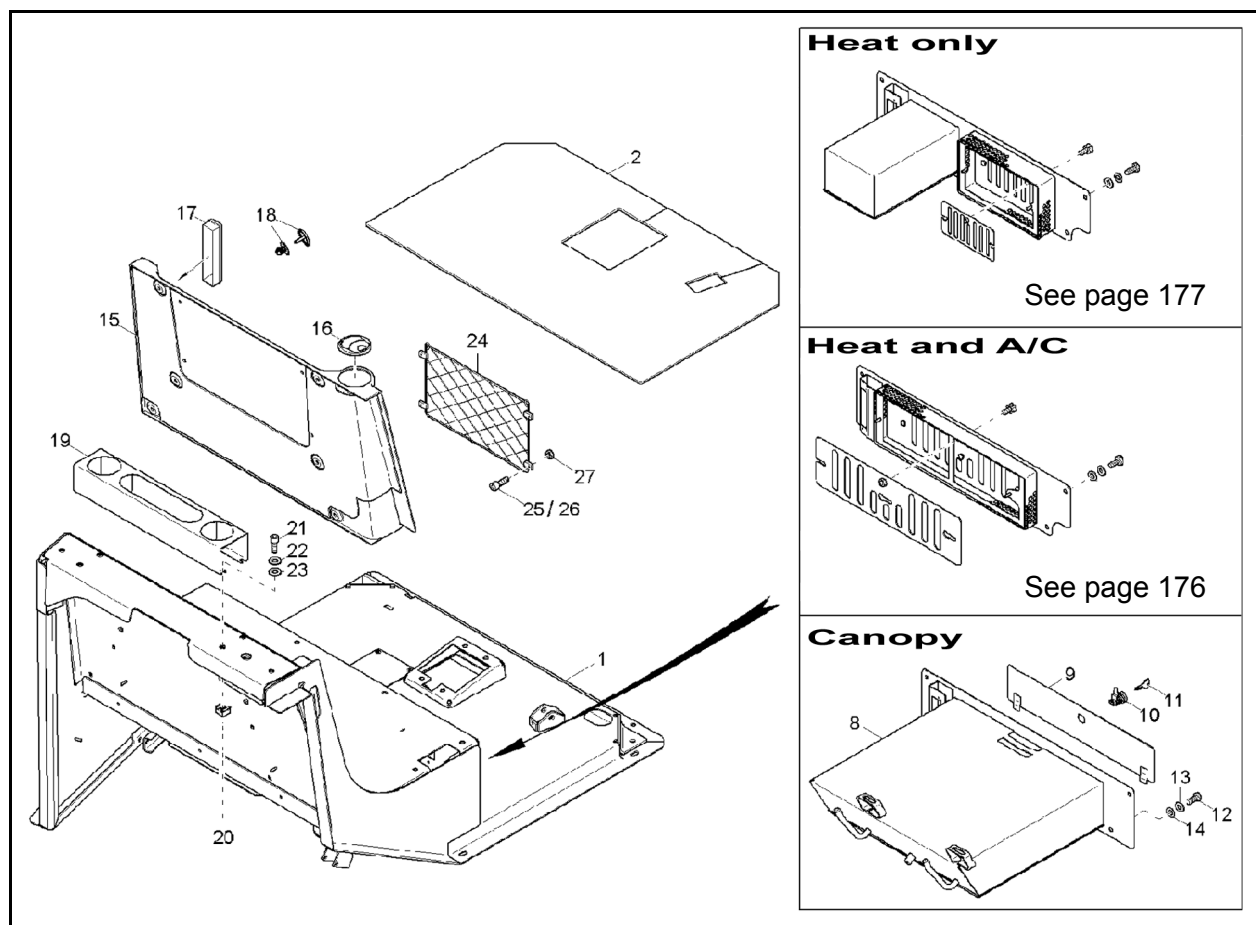


Ref. No.	Part No.	Description	Qty.
1	202523	WIRE HARNESS RPM	1
2	164883	LIGHT SWITCH	1

Ref. No.	Part No.	Description	Qty.
3	203407	SYMBOL	1
4	202525	RELAY	1

383Z - SEAT CONSOLE

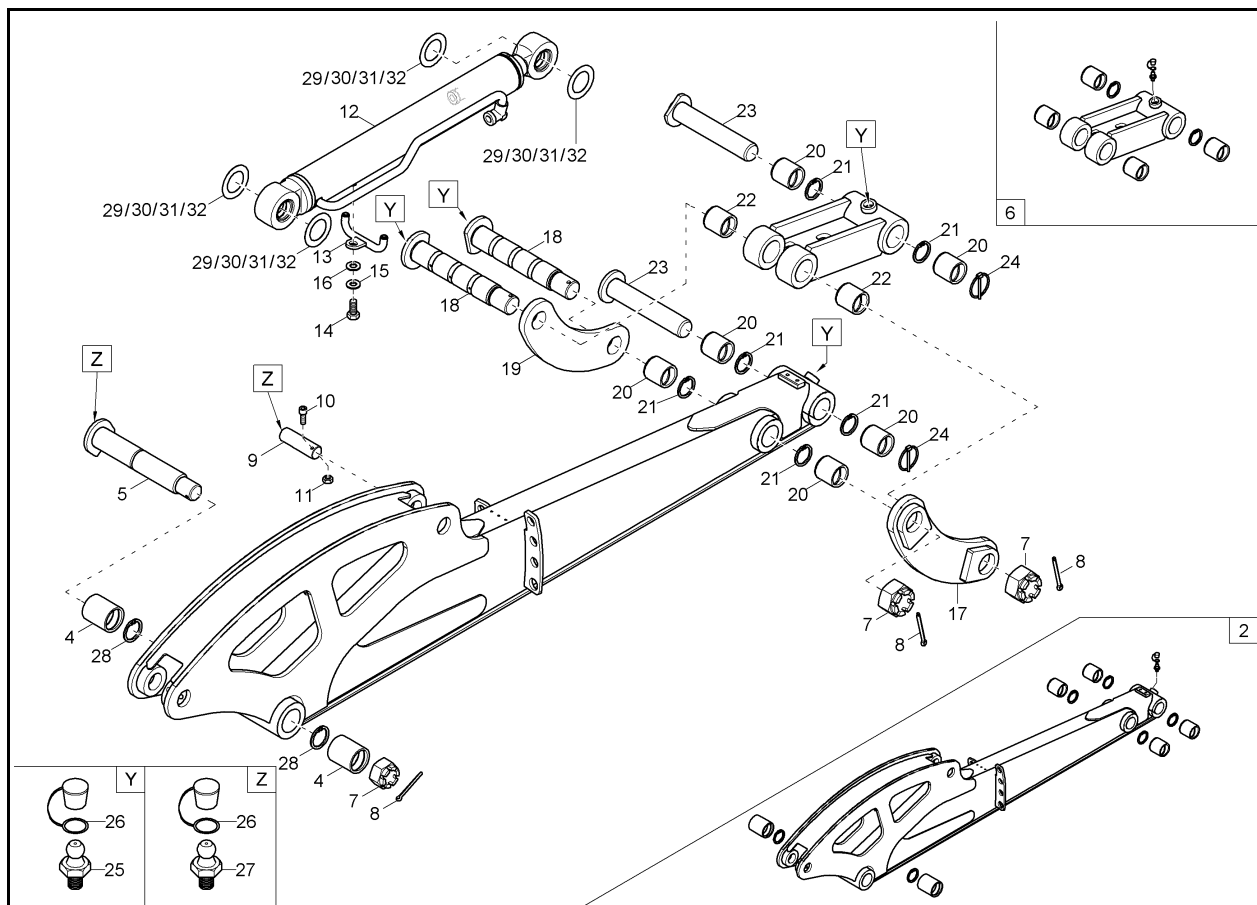
1000154408 - (SN AG00583 AND BEFORE)



Ref. No.	Part No.	Description	Qty.
1	205849	SEAT CONSOLE	1
2	205796	FOOT MAT	1
8	205897	DOCUMENTS BOX (CANOPY ONLY)	1
9	205896	COVER (CANOPY ONLY)	1
10	2529457G	LOCK (W/O KEYS)	1
11	101792	KEY	1
12	656093	CS M8-1.25X16 C8.8 ZY DIN931	4
13	163670	LOCKWASHER	4
14	163634	FLATWASHER	4
15	205758	TRIM	1
16	177655	AIR NOZZLE	1

Ref. No.	Part No.	Description	Qty.
17	205762	AIR NOZZLE	1
18	164689	RIVET 11MM	6
19	205798	BOARD	1
20	161612	NUT/CAGE M5	4
21	651504	SHCS M5-0.8X16 C8.8 OCG DIN912	4
22	161674	LOCKWASHER S16	4
23	7460094023	WASHER 5.3	4
24	209256	NET	1
25	651501	SHCS M4-0.7X30 C8.8 ZY	4
26	164908	SCREW	4
27	161402	NUT	4

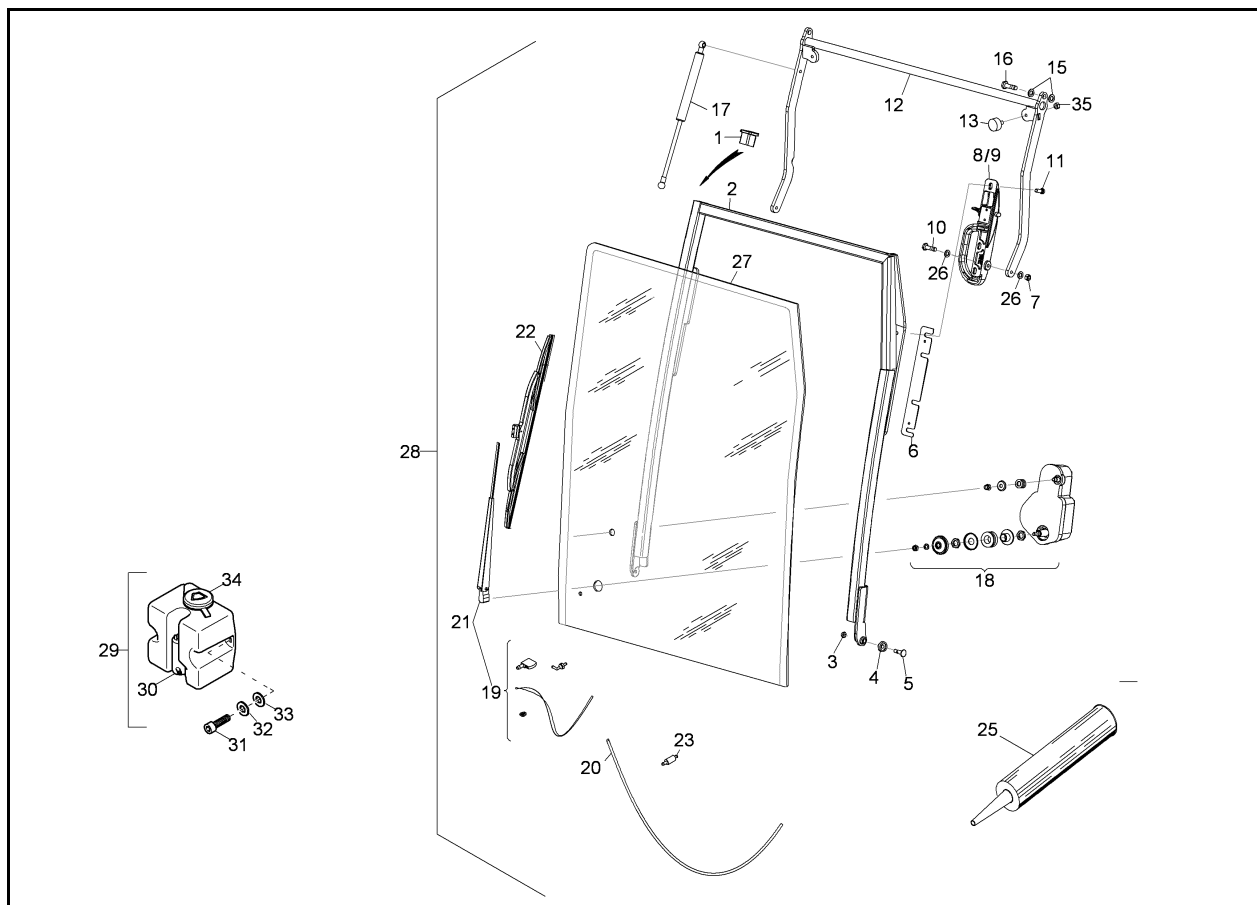
383Z - DIPPER ARM 1000180761 - (SN AG00573 AND UP)



Ref. No.	Part No.	Description	Qty.
2	204885	PRE-ASSEMBLED DIPPER ARM (INCLUDES REF. NO. 4, 20, 21, 22 AND 28)	1
4	161542	BUSHING	2
5	205743	PIN	2
6	165730	CONNECTING ASSY. (INCLUDES REF. NO. 20, 21, AND 22)	1
7	651443	HN SLTD M36-4 C8ZY	3
8	161682	PIN/SPRING M6.3X63 ZO	3
9	205740	PIN	1
10	165928	SCREW	1
11	651458	LN INS M8-1.25 C8 ZY DIN6924	1
12	230249	BUCKET CYLINDER See page 91 for individual components	1
13	177899	BRACKET HOSE	1
14	656006	CS M10-1.5X20 C8.8 ZY DIN931	1
15	161669	LOCKWASHER S10	1
16	161640	WASHER/GR A 10.5	1

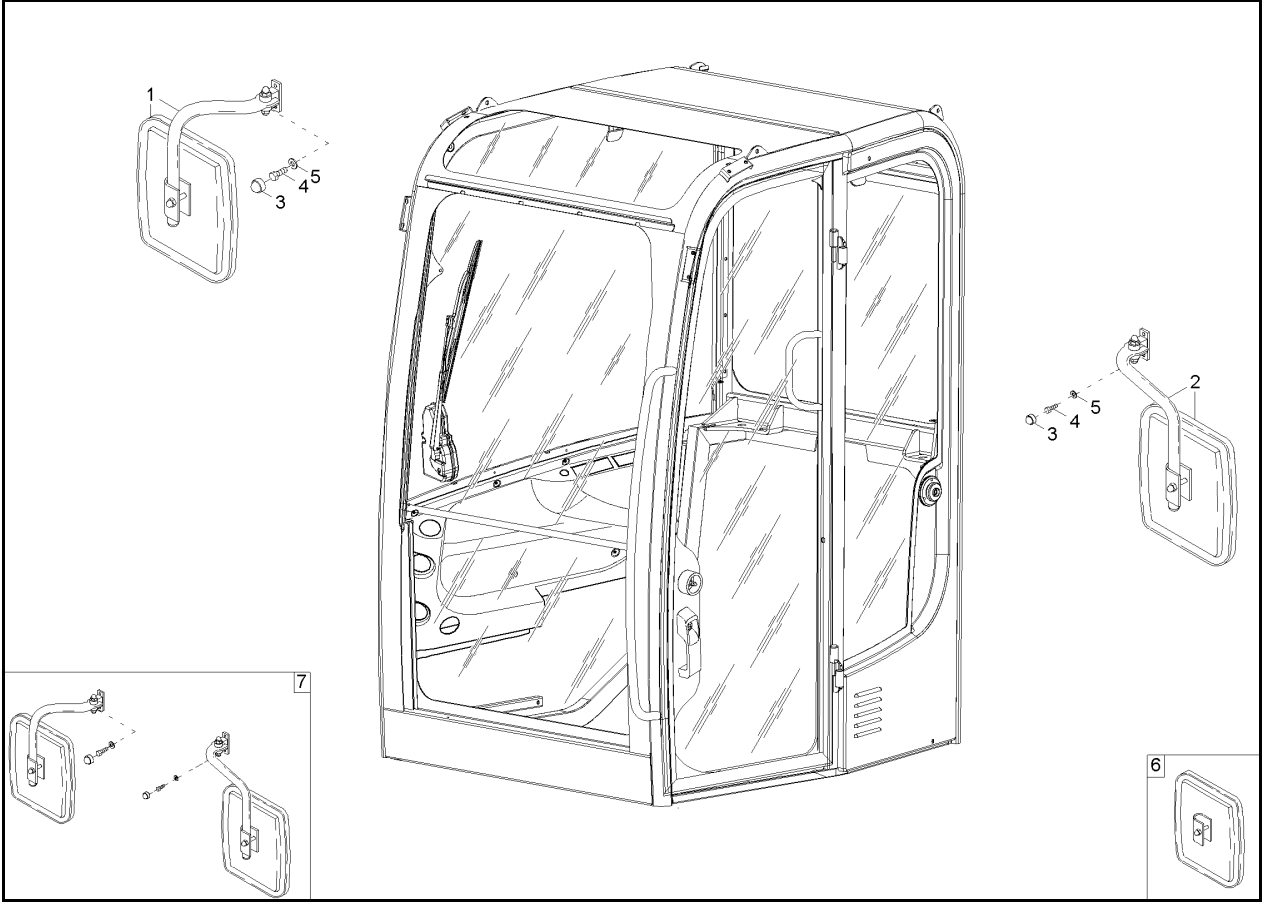
Ref. No.	Part No.	Description	Qty.
17	165724	CONNECTING LINK LT	1
18	160802	PIN	2
19	165723	CONNECTING LINK RT	1
20	161536	BUSHING	6
21	161686	SNAP RING	6
22	161533	BUSHING	2
23	160803	PIN	2
24	162489	COTTER PIN	2
25	161411	GREASE ZERK-7MM HEX HEAD	4
26	161422	CAP	6
27	161412	GREASE ZERK-9MM HEX HEAD	2
28	161687	RING/SNAP B55 D7993	2
29	205538	SHIM (0.50MM)	AR
30	205539	SHIM (1.00MM)	AR
31	205540	SHIM (1.50MM)	AR
32	205541	SHIM (2.00MM)	AR

383Z - FRONT WINDOW 1000177075 - (SN AG01321 AND UP)



Ref. No.	Part No.	Description	Qty.	Ref. No.	Part No.	Description	Qty.
1	207419	PLUG	3	19	201766	CONNECTION KIT	1
2	201761	WINDOW FRAME	1	20	207293	WATER HOSE (4.0M)	1
3	7404677659	HEX NUT M8-8 A2C	2	21	201767	WIPER ARM	1
4	177914	PVC-ROLLER	2	22	201768	WIPER BLADE	1
5	177915	CATCH BOLT	2	23	164673	NON RETURN VALVE	1
6	207421	PLATE	2	24	178710	CLEANING AGENT	1
7	651458	LN INS M8-1.25 C8 ZY DIN6924	2	25	0004412533	WINDOW PANE ADHESIVE SET SIKA TACK	1
8	201762	LOCKING BRACKET/RT	1	26	161668	WASHER/GR A 8.4 ZO DIN134	4
9	201763	LOCKING BRACKET/LT	1	27	201769	FRONT WINDOW	1
10	656094	CS M8-1.25X30 C8.8 ZY DIN931	2	28	50286669	FRONT WINDOW	1
11	201764	FHCS M8 X 16	6	29	177821	WINDSHIELD WASHER RESERVOIR	1
12	206884	SUPPORT	1	30	178074	PUMP WASHTANK	1
13	205932	RUBBER BUMPER (SN AG01686 AND UP)	2	31	651507	SHCS M6-1X20 C8.8 OCG DIN912	2
	165215	RUBBER-BUFFERR (SN AG01321 - AG01685)	2	32	161675	LOCKWASHER S6	2
15	164688	WASHER	4	33	7462680008	WASHER	2
16	207428	HEX SCREW	2	34	178075	LOCKING CAP	1
17	207439	GAS SHOCK	1	35	656048	HN M8-1.25 C8 ZY DIN934	4
18	201765	WIPER MOTOR	1				

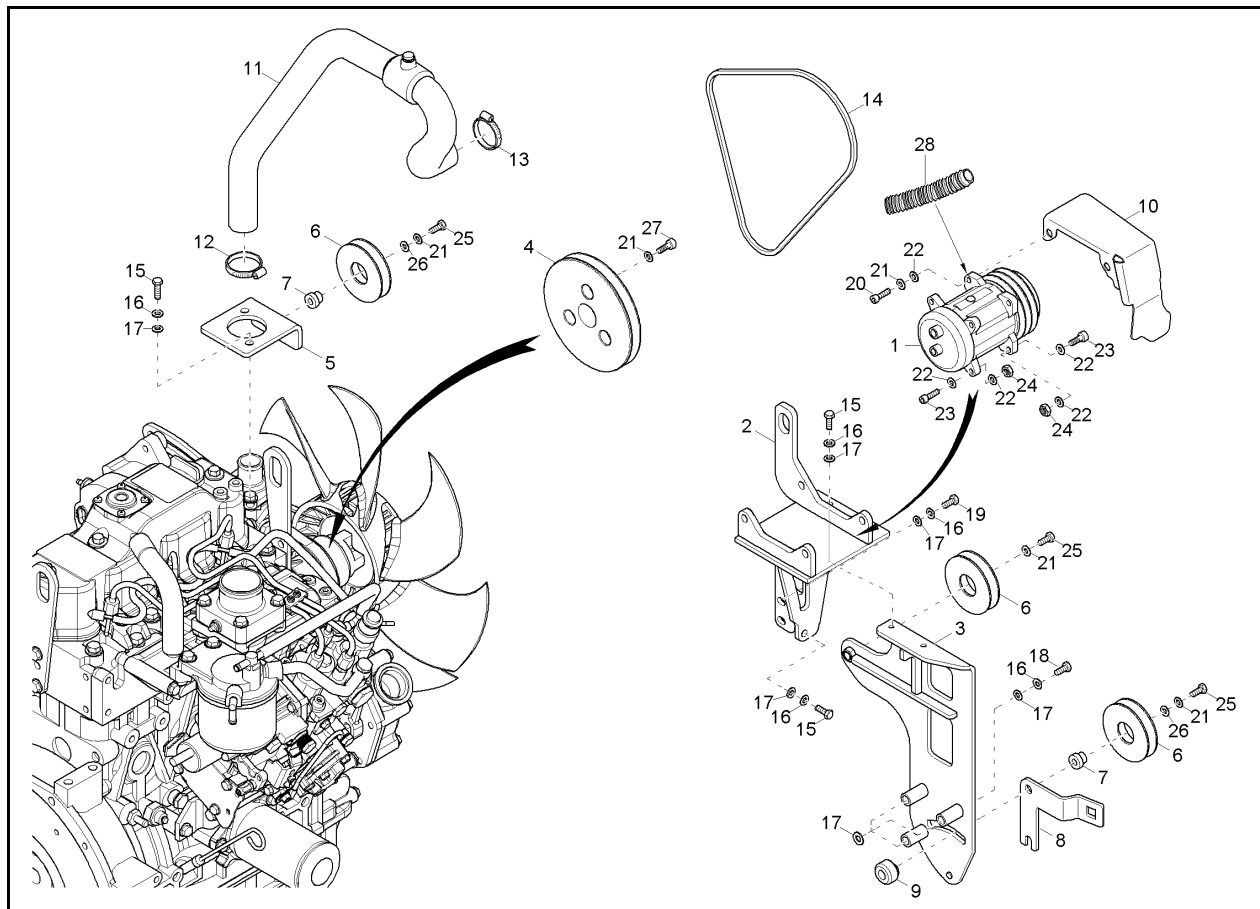
383Z - MIRROR
1000154502



Ref. No.	Part No.	Description	Qty.
1	163213	MIRROR/RT	1
2	162607	MIRROR/LT	1
3	162737	COVER	4
4	656149	CS M6-1X16 C8.8 ZY DIN931	4

Ref. No.	Part No.	Description	Qty.
5	162924	WASHER	4
6	178890	MIRROR	2
7	208227	RETROFIT KIT MIRROR	1

383Z - AIR-CONDITIONING COMPRESSOR (OPTION) 1000153780 - (SN AE02803 AND BEFORE)



Ref. No.	Part No.	Description	Qty.
1	177736	AIR-CONDITIONING COMPRESSOR	1
2	177801	AIR-CONDITIONING COMPRESSOR CONSOLE	1
3	204758	COMPRESSOR BRACKET	1
4	177802	BELT PULLEY	1
5	177872	BRACKET	1
6	204989	TIGHTENER PULLEY	3
7	179402	SPACER	2
8	206434	ADJUSTER BRACKET	1
9	179400	NUT	1
10	177997	FAN COVER	1
11	206435	RADIATOR HOSE - A/C	1
12	425-34853	CLAMP 38	1
13	177991	CLAMP	1
14	50286899	V-BELT - A/C	1

Ref. No.	Part No.	Description	Qty.
15	656105	CS M8-1.25X25 C8.8 ZY	5
16	163670	LOCKWASHER	10
17	163634	FLATWASHER	13
18	656004	CS M8-1.25X55 C8.8 ZY	3
19	656093	CS M8-1.25X16 C8.8 ZY	2
20	162022	SCREW	2
21	161669	LOCKWASHER S10	7
22	161640	WASHER/GR A 10.5	10
23	162858	SCREW	4
24	651448	LN INS M10-1.5 C8 ZY	4
25	205628	HEX SCREW	3
26	161663	WASHER/GR A 10.5 ZO	2
27	651472	SHCS M10-1.25X20 F8.8 ZY	3
28	204972	CABLE HOSE (0.35M)	1

383Z - NUMERICAL INDEX

Part No.	Page No.	Ref. No.	Part No.	Page No.	Ref. No.	Part No.	Page No.	Ref. No.
162003	166	M2	162405	89	1	162737	117	12
162022	130	11	162405	90	1	162737	169	3
162022	179	20	162405	105	6	162750	131	7
162027	72	16	162405	106	6	162754	131	15
162028	78	2	162405	107	4	162757	131	10
162028	146	13	162414	55	2	162758	131	11
162028	148	13	162414	56	2	162797	152	31
162031	152	13	162444	41	3	162797	154	31
162031	154	13	162445	49	2	162797	155	2
162035	112	6	162445	50	2	162797	162	9
162035	164	12	162445	51	2	162797	163	8
162048	171	61	162445	52	2	162812	152	34
162048	173	61	162446	41	1	162812	154	34
162048	175	61	162450	13	23	162812	156	17
162064	22	9	162451	13	24	162813	156	16
162064	177	16	162470	166	8	162813	157	16
162064	180	10	162470	166	E9	162838	114	14
162064	181	10	162470	166	GND1	162838	122	2
162065	45	28	162470	166	GND2	162838	123	2
162072	171	47	162470	166	H28	162839	112	3
162072	173	47	162481	97	13	162858	179	23
162072	175	47	162485	130	7	162860	114	17
162125	58	8	162485	133	4	162860	170	15
162125	59	13	162489	149	24	162860	176	23
162130	59	7	162489	150	24	162864	156	18
162178	68	21	162497	58	4	162864	157	18
162178	69	21	162529	58	11	162867	177	30
162181	59	10	162529	59	17	162924	116	8
162186	58	17	162531	59	5	162924	117	10
162186	59	6	162532	58	10	162924	169	5
162218	170	2	162532	59	14	162925	152	8
162218	172	2	162607	169	2	162925	154	8
162218	174	2	162608	175	63	162957	49	12
162264	59	16	162609	146	12	162957	50	13
162284	54	6	162609	148	12	162957	51	13
162289	54	4	162611	30	12	162957	52	13
162355	39	13	162611	31	12	163113	76	2
162398	39	1	162611	176	4	163189	131	18
162405	83	2	162704	97	5	163210	180	6
162405	84	2	162737	116	10	163210	181	6

383Z - NUMERICAL INDEX

Part No.	Page No.	Ref. No.	Part No.	Page No.	Ref. No.	Part No.	Page No.	Ref. No.
204669	101	A	205534	180	34	205609	177	22
204670	98	18	205534	181	34	205609	180	16
204670	99	18	205536	114	5	205609	181	16
204670	100	18	205537	114	19	205610	177	25
204671	98	27	205538	133	14	205624	170	29
204671	99	27	205538	146	36	205628	178	17
204671	100	19	205538	148	36	205628	179	25
204675	98	19	205538	149	29	205671	128	7
204675	99	19	205539	133	15	205672	64	8
204676	98	28	205539	146	37	205673	55	4
204676	99	28	205539	148	37	205673	56	4
204678	101	A	205539	149	30	205674	110	18
204679	101	B	205540	133	16	205675	55	11
204698	13	30	205540	147	38	205675	56	11
204698	103	9	205540	148	38	205676	64	3
204742	43	35	205540	149	31	205678	64	6
204758	179	3	205541	133	17	205682	63	7
204847	63	10	205541	147	39	205683	51	10
204871	178	19	205541	148	39	205683	52	10
204885	149	2	205541	149	32	205683	102	5
204885	150	2	205550	13	26	205683	103	5
204908	104	1	205585	39	4	205683	104	5
204914	124	2	205586	39	3	205684	105	4
204914	166	10	205587	155	5	205684	106	4
204915	141	1	205588	137	21	205685	92	13
204916	34	13	205589	64	2	205685	93	13
204916	35	13	205590	177	23	205686	55	5
204966	177	31	205590	180	17	205686	56	5
204972	179	28	205590	181	17	205687	95	14
204989	179	6	205596	45	31	205687	96	14
204993	137	6	205597	45	33	205690	92	12
205049	177	34	205598	130	21	205690	93	12
205050	177	33	205598	133	29	205690	98	12
205117	67	21	205599	134	7	205690	99	12
205117	68	27	205600	134	8	205690	100	12
205117	69	27	205601	137	20	205691	108	6
205214	128	8	205603	152	14	205691	109	6
205532	60	34	205603	154	14	205694	152	28
205533	180	29	205605	152	15	205694	154	28
205533	181	29	205605	154	15	205695	79	9

CLICK HERE TO **DOWNLOAD** THE COMPLETE MANUAL

- Thank you very much for reading the preview of the manual.
- You can download the complete manual from: www.heydownloads.com by clicking the link below



- Please note: If there is no response to CLICKING the link, please download this PDF first and then click on it.

CLICK HERE TO **DOWNLOAD** THE COMPLETE MANUAL