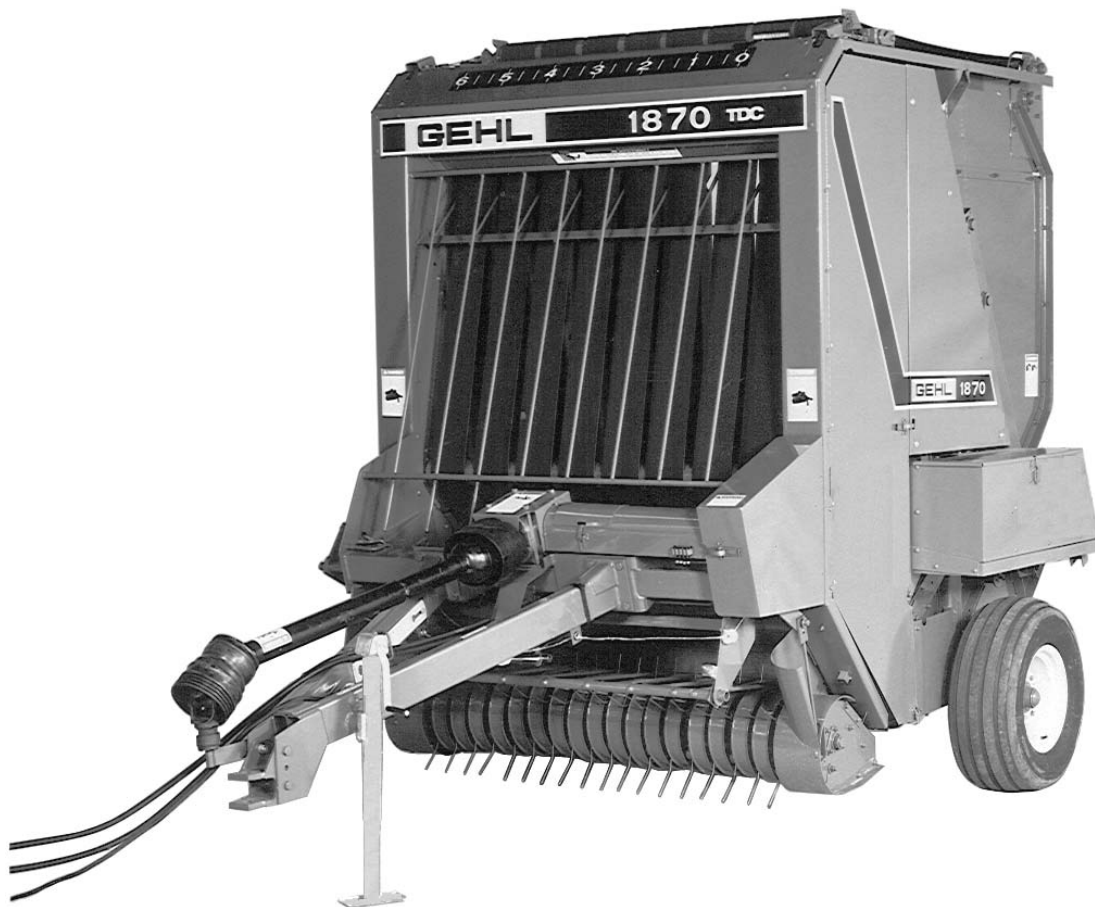


Form No.  
908007  
Replaces  
904580

# 1870

## Variable Chamber Round Baler



# PARTS MANUAL

**GEHL®** AGRICULTURE

CLICK HERE TO **DOWNLOAD** THE COMPLETE MANUAL

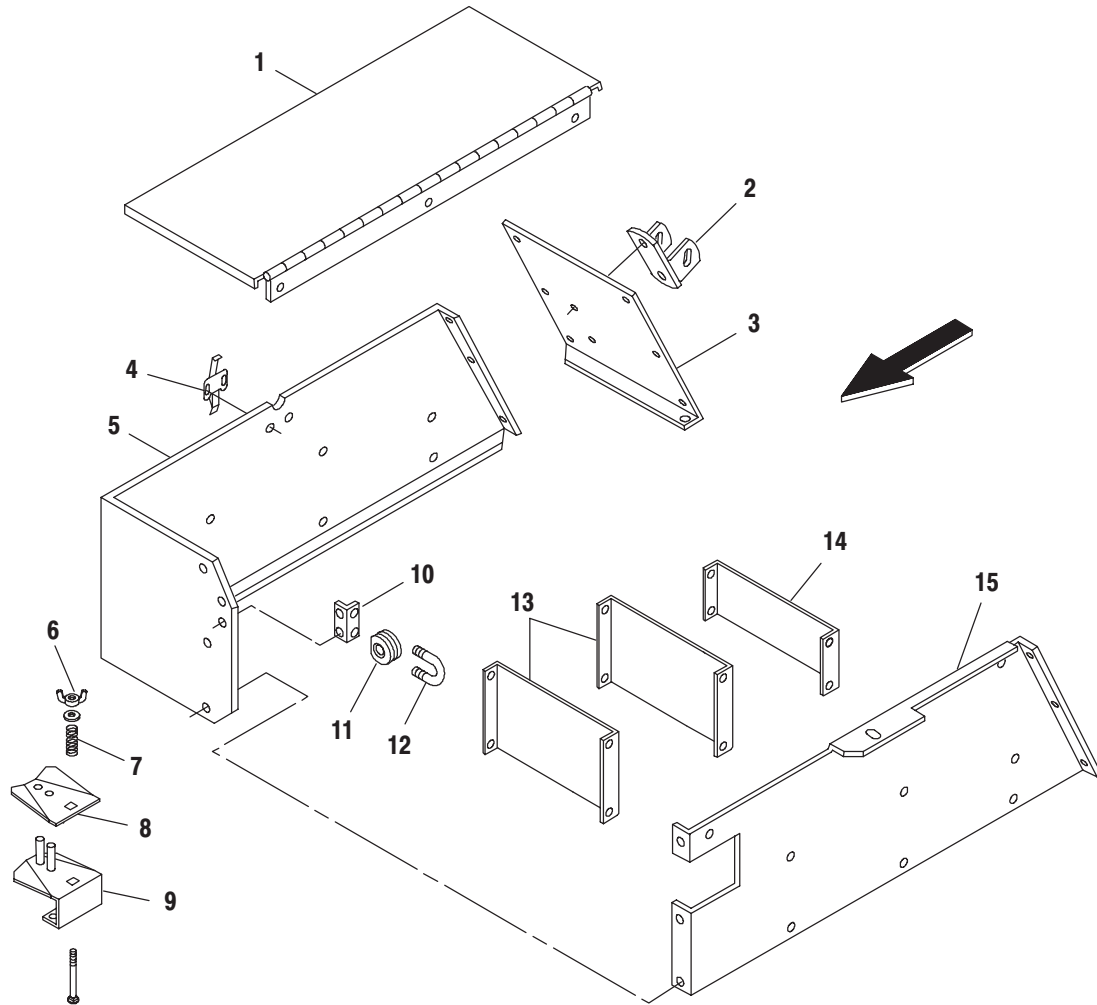
- Thank you very much for reading the preview of the manual.
- You can download the complete manual from: [www.heydownloads.com](http://www.heydownloads.com) by clicking the link below



- Please note: If there is no response to CLICKING the link, please download this PDF first and then click on it.

CLICK HERE TO **DOWNLOAD** THE COMPLETE MANUAL

# RB1870 - TWINE BOX (RIGHT)



Ref. No.	Part No.	Description	Qty. Req.	Ref. No.	Part No.	Description	Qty. Req.
01	087599	COVER/TWINE BOX ASSY RT	1	08	160-32472	PLATE TWINE TENSIONER	1
	650486	CS 5/16X3/4 (HN, LW)	3	09	098850	PLATE/TWINE TENSION ASSY	1
02	077849	BASE/CYL BRACKET ASSY	1		651095	CB 1/4X2-3/4 (FW)	1
03	077845	BACK/TWINE BOX	1	10	077848	MOUNT/GUIDE	1
	650486	CS 5/16X3/4 (HN, LW)	1		650949	THMS 5/16X3/4 (HN, LW)	2
	650949	THMS 5/16X3/4 (HN, LW)	6	11	059721	GUIDE/ROPE	1
04	079878	LATCH	1	12	B11069	U-BOLT/ECCENTRIC SHAFT (2) LN 5/16	1
	650812	RHMS #12-24X1/2 (HN, LW)	2	13	077846	DIVIDER	2
05	077843	SIDE/TWINE BOX	1		650949	THMS 5/16X3/4	8
	650486	CS 5/16X3/4 (HN, LW)	4	14	077847	DIVIDER	1
	650949	THMS 5/16X3/4 (HN, LW)	6		650949	THMS 5/16X3/4	4
06	210-20454	WN 1/4	1	15	077844	SIDE/INNER TWINE BOX	1
07	380-13297	SPRING	1		650948	THMS 5/16X5/8 (HN, LW)	2
	651095	CB 1/4X2-3/4 (FW)	1		650949	THMS 5/16X3/4 (HN, LW)	3

# RB1870 - ROLLER DRIVES

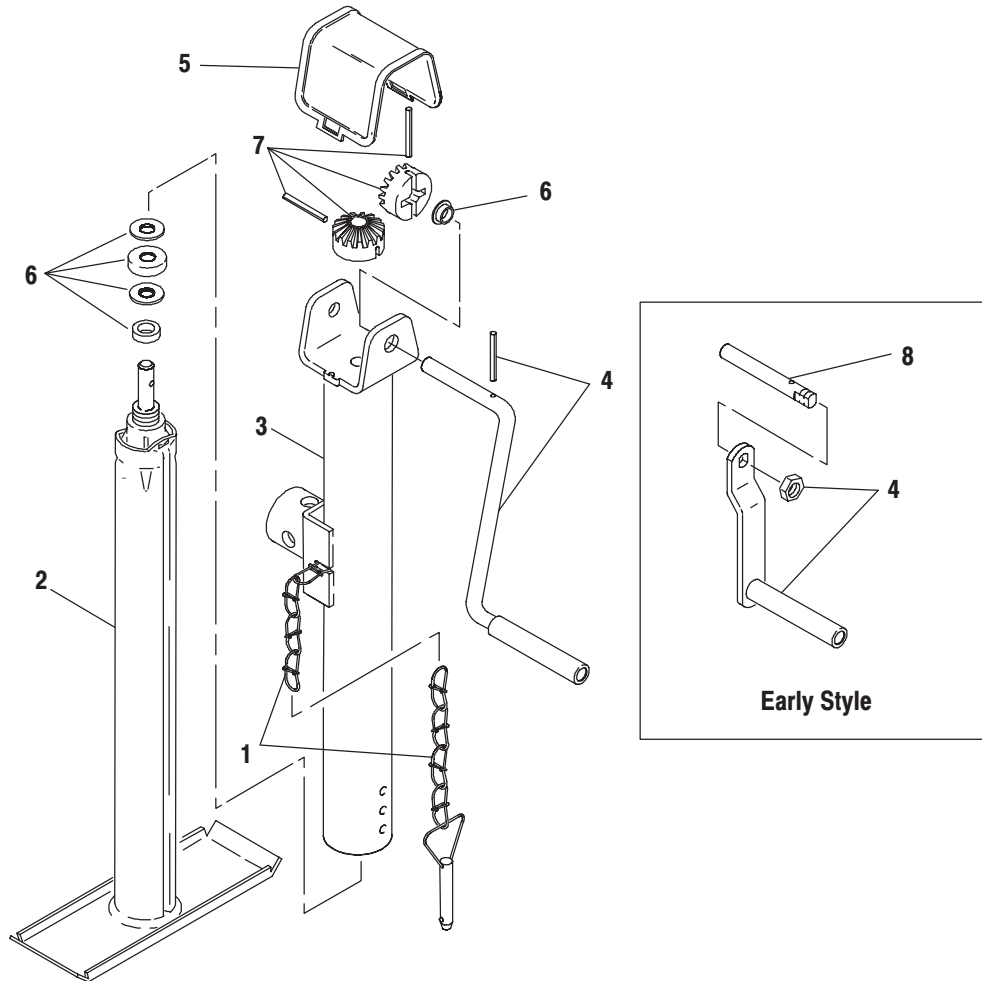
Ref. No.	Part No.	Description	Qty. Req.	Ref. No.	Part No.	Description	Qty. Req.
15	072069	COLLAR .....	1	40	075482	SUPPORT/OUTBOARD ASSY .....	1
	650977	CS 5/16X2-1/4 GR.8 (LN) .....	1		650704	CB 3/8X1 (HN, LW) .....	2
16	098689	CHAIN/ROLLER #60HX76 LINKS .....	1	41	075419	ARM/IDLER .....	1
		INCLUDES (1) 055903 PLAIN CONNECTOR			650569	CS 1/2X1-3/4 (LN) .....	1
17	057617	WASHER .....	2	42	079061	SPRING/EXTENSION .....	2
18	073722	PLATE/CLUTCH .....	1	43	042158	SPACER .....	4
	655537	KEY/WOODRUFF5/16X1-1/4 .....	1	44	075730	SPROCKET/ASSY 17T & 48T .....	1
19	070870	SPRING/EXTENSION .....	1		650601	KEY/WOODRUFF3/8X1-1/2 .....	1
20	075406	LINK/CLUTCH ASSY .....	1	45	075705	CHAIN/ROLLER #60HEX61 LINKS .....	1
		(2) 5/16 NILN				INCLUDES (1) 055903 PLAIN CONNECTOR	
21	126819	BRACKET/IDLER ASSY .....	1			& (1) RIVETED OFFSET CONNECTOR	
	650740	CB 1/2X2-1/4 (LN) .....	3	46	9H240	SCREW/ADJUSTMENT LINK .....	2
		(1) - 1/2LN, FW			570019	FITTING/GREASE .....	2
22	126827	SLIDE/CHAIN .....	1			(2) 1/2 LW	
	650573	CB 5/16X1 (HN, LW) .....	1	47	055447	WASHER .....	2
23	126813	CHAIN/#60X174 LINKS .....	1	48	C14121	WASHER .....	2
		INCLUDES (1) 500160 PLAIN CONNECTOR		49	061529	WASHER/SHIM .....	AR
		& (1) 500161 OFFSET CONNECTOR		50	054353	WASHER .....	2
24	069847	BUSHING/BRONZE .....	1	51	070749	SPACER .....	2
25	075417	SPROCKET/24T .....	1	52	076548	SPRING/ANCHOR .....	1
	650419	CS 1/4X1-3/4 (2N) .....	1	53	076549	GUARD/CHAIN .....	1
26	075395	PLATE/LINK STABILIZER .....	1		650618	TCS 5/16X5/8 .....	2
27	069794	WASHER (0.134) .....	1		650486	CS 5/16X3/4 (HN, LW) .....	1
28	069793	WASHER (0.050) .....	1		650577	CS 5/16X1-1/2 (2HN) .....	1
29	069792	WASHER (0.036) .....	1	54	075409	SPROCKET/34T .....	1
30	052205	RING/RETAINING .....	1		650601	KEY/WOODRUFF-HD3/8X1-1/2 .....	1
31	17H361	WASHER/SAFETY FLANGE .....	4	55	075700	ARM/IDLER .....	1
	650490	CS 3/8X1 (LW) .....	4		650585	CS 1/2X2 (LN, 2FW) .....	1
32	057350	RACE/THRUST BEARING .....	2	56	075701	PLATE/OUTBOARD .....	1
33	056345	BEARING/NEEDLE .....	2		650491	CS 3/8X1-1/4 (HN, LW, FW) .....	2
34	057351	WASHER/THRUST BEARING .....	4		650453	CS 1/2X1-1/2 (HN, LW, 4FW) .....	2
35	066398	SPROCKET ASSY/IDLER .....	1	57	075702	SUPPORT/OUTBOARD PLATE .....	1
36	075384	SPROCKET/21T .....	1		650704	CB 3/8X1 (HN, LW) .....	2
	655536	KEY/WOODRUFF3/8X1-1/4 .....	1	58	053342	SEAL/OIL .....	2
37	070323	CHAIN/#60X42 LINKS .....	1	59	051250	BEARING/NEEDLE .....	1
		INCLUDES (1) 500160 PLAIN CONNECTOR		60	070758	SPROCKET/16T .....	1
38	074028	WASHER .....	1	61	075402	SHAFT/JACK ASSY .....	1
39	074027	SPACER .....	1		650790	CB 3/8X3/4 (LN) .....	4
	650569	CS 1/2X1-3/4 (LN) .....	1	62	078812	SHIM .....	3

## RB1870 - TOTAL DENSITY CONTROL (AFTER SN15675)

Ref. No.	Part No.	Description	Qty. Req.	Ref. No.	Part No.	Description	Qty. Req.
01	059453	CLAMP/TUBE .....	1	31	074793	ANGLE/SUPPORT .....	1
	650528	CS 3/8X2 (LN) .....	1	32	126665	HOSE 15" .....	1
02	072171	SPACER .....	1	33	126663	HOSE 46" .....	1
03	072172	SPACER .....	1	34	070621	TUBE/HYD .....	1
04	9H240	SCREW/ADJUSTMENT LINK .....	2	35	126664	HOSE 36" .....	1
05	071520	WASHER .....	2	36	070620	HOSE 34" .....	1
06	B11162B	WASHER .....	4	42	070788	BRACKET/MANIFOLD .....	1
07	094057	ARM/TRIP ASSY .....	1		650733	CS 5/16X2-1/2 (HN, LW) .....	2
08	061529	WASHER/SHIM .....	4		650704	CB 3/8X1 (HN, LW) .....	2
09	053342	SEAL/OIL .....	4	43	064669	UNION TEE/STRAIGHT THREAD .....	1
10	051250	BEARING/ROLLER .....	2	44	127111	MANIFOLD/ASSEMBLED .....	1
11	070758	SPROCKET/6T .....	2		650535	CS 3/8X2-1/4 (LN) .....	1
13	056773	CLAMP .....	3	45	071741	BRACKET/STOP ASSY .....	1
	650488	CS 3/8X3/4 (HN, LW) .....	2		650492	CS 3/8X2-1/2 (2HN) .....	1
	650704	CS 3/8X1 (HN, LW, FW) .....	2	46	071739	VALVE/TRIP ASSY .....	1
15	070612	VALVE/TANK .....	1		650491	CS 3/8X1-1/4 (2HN) .....	1
16	070644	SLEEVE .....	2	47	U10014B	SPRING/PAWL .....	1
17	070610	ELBOW/MALE 90 DEG .....	2	48	070619	ELBOW/90 DEG EXTRA LONG .....	1
18	055896	O-RING .....	5	49	067458	ELBOW/90 DEG MALE PIPE .....	1
19	070775	ELBOW/90 DEG .....	1	50	651022	NIPPLE/PIPE 1/4X4 .....	1
20	127189	VALVE/RELIEF 300 PSI .....	1	51	141472	VALVE/RELIEF .....	1
23	119584	TUBE/OIL LEVEL .....	1	52	076788	UNION/FEMALE 1/4" .....	1
24	118673	RESERVOIR/ASSY .....	1	53	070777	GAUGE/300 .....	1
25	042598	UNION/90 DEG SWIVEL ADAPTER .....	1	64	660002	PLUG/PIPE 1/4 .....	1
27	070765	PIN .....	2	65	056081	QUICK-DISCONNECT .....	1
28	070757	SPACER .....	2	66	056080	QUICK-DISCONNECT (MALE) .....	1
	650710	CS 5/8X2-1/4 (HN, LW, 4FW) .....	2	68	094190	VALVE/CHECK .....	1
29	127117 <sub>a</sub>	CYLINDER/HYD ASSY 3X25 .....	2	69	094193	KIT/SEAL .....	1
30	074792	STRAP/CYL .....	1	70	094192	KIT/SEAL .....	1
	650704	CB 3/8X1 (HN, LW) .....	2	72	570019	FITTING/GREASE ((2) 1/2 LW) .....	2

a) For component breakdown, see 'TDC Cylinder' page.

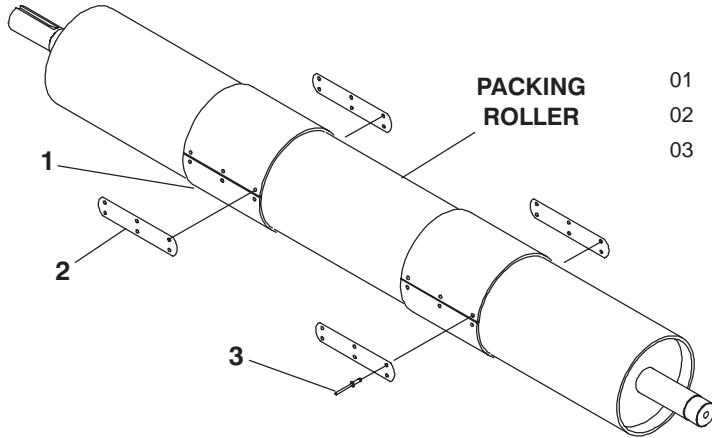
# RB1870 - HITCHJACK (EARLY STYLE)



Ref. No.	Part No.	Description	Qty. Req.	Ref. No.	Part No.	Description	Qty. Req.
	088841	HITCHJACK - WESBAR .....	1	05	077838	CAP/TOP .....	1
		CONSISTS OF:		06	094283	KIT/INTERNAL PARTS .....	1
01	061276	PIN & CHAIN .....	1	07	077836	KIT/GEAR .....	1
02	081462	TUBE/INNER ASSY .....	1	08	077839 <sub>a</sub>	SHAFT/CROSS.....	1
03	092021	TUBE/OUTER .....	1				
04	126735	HANDLE (LATER STYLE) .....	1				
	081463 <sub>A</sub>	HANDLE & NUT (EARLY STYLE) .....	1				

a) Replaced by 126735 later style Handle.

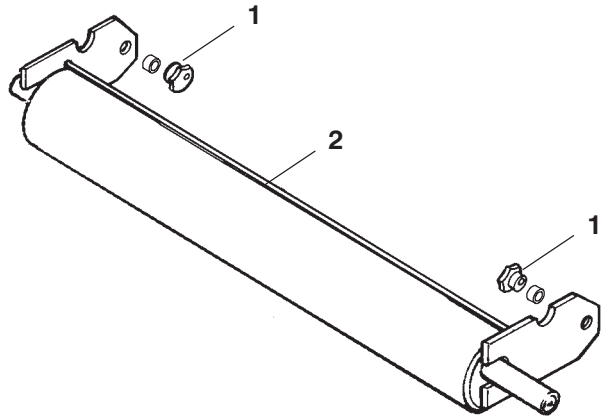
**068633 Packing Roller Lagging Kit**



Ref. No.	Part No.	Description	Qty. Req.
	068633	PACKING ROLL LAGGING KIT .....	1
		CONSISTS OF:	
01	068847	LAGGING .....	2
02	068848	STRIP/COVER .....	4
03	068846	RIVET/LINER .....	36

**082253 Packing Roller Scraper Kit**

Ref. No.	Part No.	Description	Qty. Req.
	078616	PACKING ROLLER SCRAPER KIT .....	1
		CONSISTS OF:	
01	074744	CAM .....	2
	650453	CS 1/2X1-1/2 (LW, FW)	
	D952A	BUSHING .....	2
02	082254	SCRAPER/PACKING ROLLER .....	1



CLICK HERE TO **DOWNLOAD** THE COMPLETE MANUAL

- Thank you very much for reading the preview of the manual.
- You can download the complete manual from: [www.heydownloads.com](http://www.heydownloads.com) by clicking the link below



- Please note: If there is no response to CLICKING the link, please download this PDF first and then click on it.

CLICK HERE TO **DOWNLOAD** THE COMPLETE MANUAL