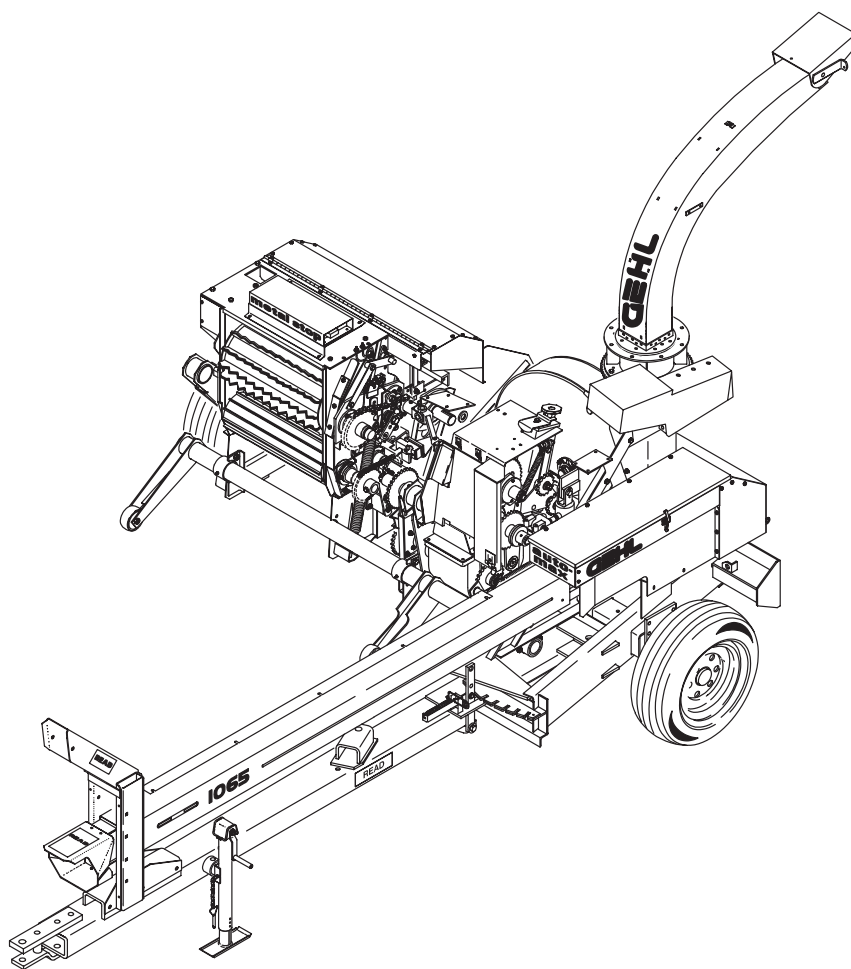


Form No.
907521
Replaces
907056

1060/1065

(1060 After SN8500
and All 1065's)

Forage Harvesters



PARTS MANUAL

GEHL® AGRICULTURE

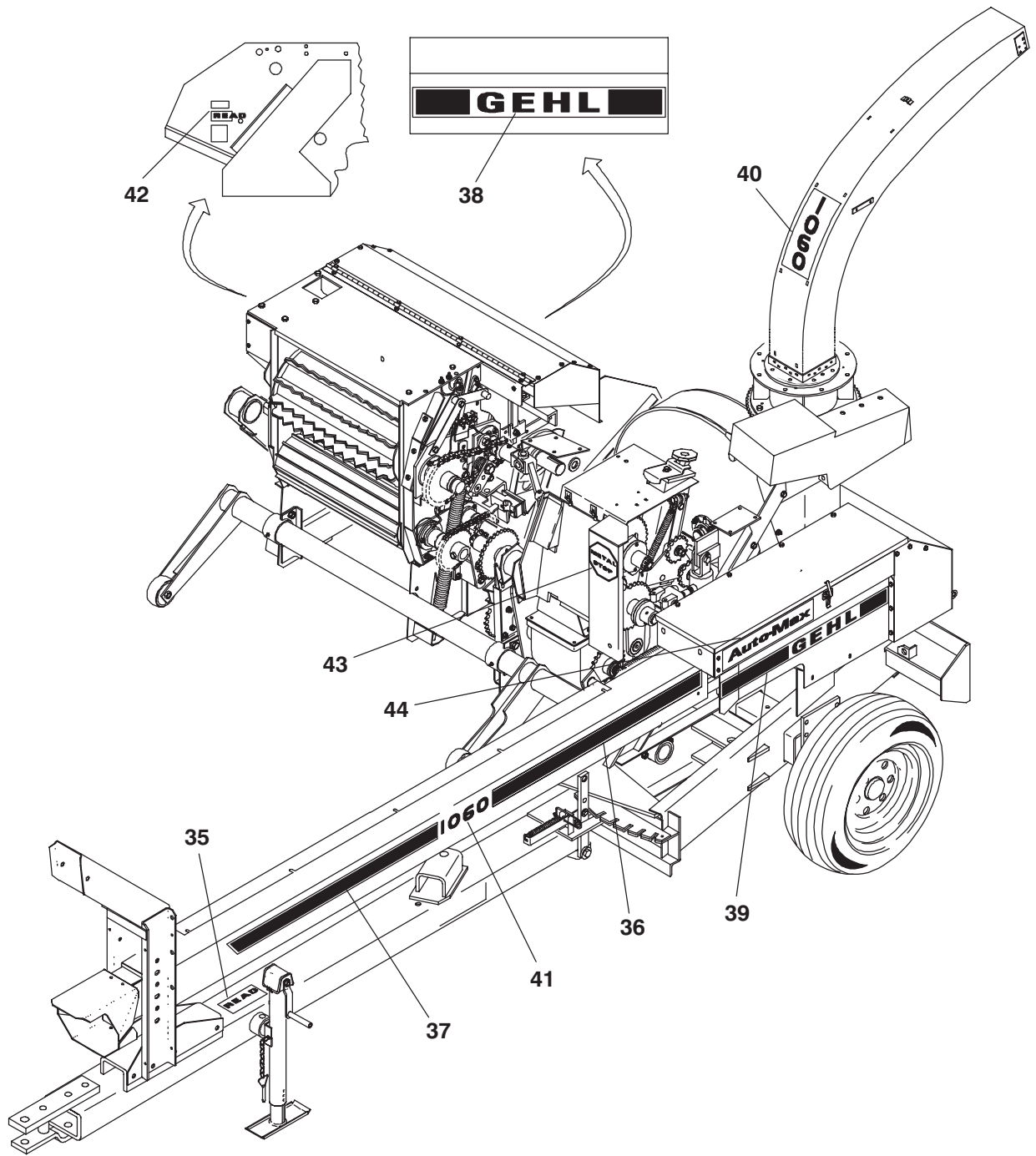
CLICK HERE TO **DOWNLOAD** THE COMPLETE MANUAL

- Thank you very much for reading the preview of the manual.
- You can download the complete manual from: www.heydownloads.com by clicking the link below



- Please note: If there is no response to CLICKING the link, please download this PDF first and then click on it.

CLICK HERE TO **DOWNLOAD** THE COMPLETE MANUAL



CB1060/1065 - KNIFE SHARPENER - MAIN UNIT

Ref. No.	Part No.	Description	Qty. Req.	Ref. No.	Part No.	Description	Qty. Req.
01	050270	PIN/SPRING	1	30	650579	CS 3/8X1-3/4	1
02	054886	WASHER/THROTTLE	1	31	650687	CB 5/16X3/4	2
03	057634	PIN/SPRING	1	32	650789	CS 5/16X4-1/2	4
04	057637	WASHER/BELLEVILLE 3/8	4	33	650835	CS 1/4X1	1
05	062238	MOTOR/HYDRAULIC	1	34	653007	HN 5/16	14
06	062361	NUT/SLOTTED	1	35	653018	HN 1/2	1
07	063472	KNOB	1	37	654006	FW 3/8	6
08	070856	FLN 3/8	5	38	654022	LW 1/4	1
09	071703	LN 3/8	3	39	654024	LW 5/16	10
10	072089	BEARING/RAIL	6	40	654026	LW 3/8	6
11	072090	CAM/ADJUSTING	3	41	654030	LW 1/2	1
12	072091	SCREW/ADJ	1	42	051207 _a	GOGGLE/SAFETY	1
13	072092	ARM/TORQUE	1	43	057628 _a	TEMPLATE/KNIFE	1
14	072093	SPACER/BEARING	6	44	065073	BEARING/BALL	2
15	072096	SUPPORT/MOTOR ASSY	1	45	042135	FW 11/32	2
16	072108	MOUNT/MOTOR	1	46	070634	FLN 1/4	2
17	072240	HUB/STONE ASSY	1	47	072125	STOP/KNIFE SHARPENER	1
18	073598	BLOCK/GUIDE	1	48	072136	BEARING/RADIAL	2
19	076557	WHEEL/GRINDING	1	49	073594	HANDLE/SHARPENER	1
20	077671	SPACER/BRG	2	50	077005	GUIDE/ROLLER ASSY	1
21	077672	FRAME/SHARPENER ASSY	1	51	077741	SPRING/ASSY RT	1
22	570009	FITTING/GREASE	1	52	077743	SPRING/ASSY LT	1
23	570019	FITTING/GREASE	1	53	650577	CS 5/16X1-1/2	2
24	650488	CS 3/8X3/4	4	55	653034	JN 5/16	2
25	650490	CS 3/8X1	1	57	655006	CP 1/8X1	2
26	650491	CS 3/8X1-1/4	4	61	073170	RETAINER/SPRING	1
27	650528	CS 3/8X2	1	62	650573	CB 5/16X1	4
28	650533	CS 3/8X1-1/2	3	63	063593	KIT/SEAL	1
29	650553	CP 1/8X3/4	1				

a) Stored in toolbox.

CB1060/1065 - FEED ROLL (COMMON PARTS) - LEFT

Ref. No.	Part No.	Description	Qty. Req.	Ref. No.	Part No.	Description	Qty. Req.
01	062738	BRG/FEED ROLL SLEEVE	2	31	650573	CB 5/16X1	3
02	062740	STRAP/STABILIZER	2	32	653010	HN 3/8	7
03	070253	STABILIZER/FEED ROLL	1	33	654026	LW 3/8	11
04	071706	LN 1/2	2	34	650687	CB 5/16X3/4	5
05	094993	ROLL/LOWER REAR ASSY	1	35	570019	FITTING/GREASE	2
06	077543	TIE/FEED ROLL SHEET	1	36	061848	NUT/BULKHEAD ADAPTER	2
07	077559 _a	ROLL/LOWER FRONT ASSY	1	37	650704	CB 3/8X1	3
08	078682	COVER/FEED ROLL	1	38	112144	CHAIN/ROLLER #60HEX40 LINKS	1
09	520090	COLLAR/BEARING (TORQUE SENSOR & SHEAR BOLT) .	2	39	063581	CS 3/8X2-1/2 GR8	3
		(METAL DETECTOR)	1	40	071703	LN 3/8	3
10	570002	FITTING/GREASE	1	41	095000	SPROCKET/ASSY 15T	1
11	650486	CS 5/16X3/4	5	42	112115 _c	SPROCKET/ASSY 27T	1
12	650585	CS 1/2X2	2	43	650487	CS 5/16X1	5
13	653007	HN 5/16	20	44	095081	BRACKET/IDLER	1
14	654024	LW 5/16	20	45	095080	BAR/IDLER	1
15	650545	CS 5/16X1-1/4	2	46	095084	SHIM	2
16	654004	FW 5/16	6	47	092164	FLS 1/2X1-1/4	2
17	119482 _b	PLATE/GREASE FITTING	1	48	081374	FLN 1/2	2
18	068256	CLAMP	2	49	650490	CS 3/8X1	4
19	061846	NUT/COMPRESSION	2	50	112619	SHIM	2
20	061872	SCREW/HEX WASHER HD	3	51	061847	ADAPTER/BULKHEAD	2
21	062753	SPACER/WEAR SHEET	1	52	061845	CONNECTOR/STRAIGHT TUBE	2
22	062754	SHEET/FEED ROLL WEAR	1	53	065185	KIT/GREASE TUBING	1
23	069399	RETAINER/BEARING DOUBLE	1	54	055903	LINK/CONNECTOR	1
24	080861	CONNECTOR/90 DEG ELBOW TUBE ..	2	55	520153	COLLAR/BEARING	1
25	082900	FLANGETTE/72MM	2	56	069387	BEARING/BALL	1
26	095072	SIDE/FEED ROLL ASSY LT	1	57	095199 _d	SPROCKET/ASSY 27T	1
27	095079 _a	RING/GRASS	1	58	654030	LW 1/2	2
28	095102	STOP/REAR ROLL LT ASSY	1	59	650494	CS 1/2X1	1
29	095137	BEARING/BALL (TORQUE SENSOR & SHEAR BOLT) .	2	60	H6208	FW 17/32	1
		(METAL DETECTOR)	1				
30	650488	CS 3/8X3/4	3				

a) If Harvester is equipped with Metal Detector, see page entitled 'Rolls, Drive & Components (Metal Detector)'

b) Not used on Metal Detector.

c) Used on Torque Sensor & Shear Bolt units.

d) Used only on Metal Detector.

CB1060/1065 - BLOWER & DRIVE

Ref. No.	Part No.	Description	Qty. Req.	Ref. No.	Part No.	Description	Qty. Req.
01	070736	FW 1-15/32	AR	38	654006	FW 3/8	16
02	B11201	SCREW/APRON TAKE/UP	2	39	654009	FW 1/2	14
03	061848	NUT/BULKHEAD ADAPTER	1	40	654024	LW 5/16	17
04	062643	RING/RETAINER	1	41	654026	LW 3/8	38
05	065369	KEY/TAPERED HARD	1	44	C14054A	FW 1.47	AR
06	070168	FAN/BLOWER	1	45	077015	PLATE/CONNECTOR	1
07	070180	SPACER/BLOWER CHANNEL	2	46	077018	SUPPORT/BLOWER LEFT REAR	1
08	070181	FILLER/OUTLET	2	47	650490	CS 3/8X1	6
09	070182	SIDE/FRONT BLOWER	1	48	650495	CS 1/2X1-1/4	9
10	070185	SIDE/REAR BLOWER	1	49	654030	LW 1/2	25
11	070187	OUTLET/BLOWER	1	50	650486	CS 5/16X3/4	1
12	070205	TIGHTENER/RIM	2	51	079414 _a	CLAMP/HOSE	3
13	070367	SUPPORT/BELT GUARD	1	52	043178	COVER/FAN ADJUSTMENT	1
14	077014	SHAFT/BLOWER	1	53	653094	NUT/WING LIGHT 5/16	3
15	077016	CHANNEL/BLOWER FRONT	1	54	070171	DISK/BLOWER	1
16	077017	CHANNEL/BLOWER REAR	1	55	650844	CS 5/8X1-3/4	8
17	077823	SPACER/BLOWER FRAME	2	56	653021	HN 5/8	8
19	094901	SHELL/REMOVABLE RIM	1	57	654032	LW 5/8	8
20	094903	SPACER	1	58	066681	ARM/BLOWER FRONT	4
21	094905	SHEET/RIM ASSY	1	59	066684	ARM/BLOWER REAR	4
22	094941	LINER/WEAR	1	60	094335	PADDLE/BLOWER	4
25	520093	COLLAR/BEARING	2	61	651148	FW 1/2	16
26	570018	FITTING/GREASE	1	62	650527	CB 1/2X1-1/4	16
27	650436	FHSC 5/16X3/4	3	63	069872	HOUSING/BEARING	2
28	650541	PB 5/16X1	3	64	041499	BEARING/BALL	2
29	650557	CS 3/8X1/2	1	65	570002	FITTING/GREASE	1
30	650687	CB 5/16X3/4	2	66	061845	CONNECTOR/STRAIGHT TUBE	1
31	650704	CB 3/8X1	6	67	061847	ADAPTER/BULKHEAD	1
32	650786	CB 3/8X1-1/4	18	68	065185	KIT/GREASE TUBING	1
33	652097	PB 5/16X3/4	8	69	061846	NUT/COMPRESSION	2
34	653007	HN 5/16	17	70	072476	CONNECTOR/STRAIGHT TUBE	1
35	653010	HN 3/8	38	71	094948	KIT/RIMSHEET LINER (INCLUDES MOUNTING HARDWARE)	1
36	653018	HN 1/2	29	72	094949	KIT/RIMSHEET REPLACEMENT	1
37	654004	FW 5/16	8				

a) Used with Tunnel Switch

CB1060/1065 - DEFLECTOR & CAP

Ref. No.	Part No.	Description	Qty. Req.	Ref. No.	Part No.	Description	Qty. Req.
01	040860	CLIP	4	19	654004	FW 5/16	8
02	063680	COVER/CLEANOUT EXTENSION	1	20	654009	FW 1/2	6
03	065268	COVER/DEFLECTOR CLEANOUT	1	21	654012	FW 5/8	4
04	070378	CAP/DEFLECTOR	1	22	654024	LW 5/16	8
05	095138	LINER/DEFLECTOR	1	23	654030	LW 1/2	6
06	112197	DEFLECTOR/ASSY	1	24	056336	SPRING/EXTENSION	1
08	6H130	BEARING/CONVEYOR PIVOT	2	25	B11433A	HOOK/S	3
10	650453	CS 1/2X1-1/2	2	26	056061	CLAMP/CABLE	1
11	650527	CB 1/2X1-1/4	4	27	058539	PULLEY	2
12	650541	PB 5/16X1	2	28	060974	CABLE/CAP CONTROL	1
13	650548	RHMS#1024X1/2	4	29	071706	LN 1/2	8
14	650549	LW #10	4	30	17H386	TAKEUP	1
15	650550	HN MS #102	4	31	650486	CS 5/16X3/4	1
16	652097	PB 5/16X3/4	6	32	650495	CS 1/2X1-1/4	8
17	653007	HN 5/16	8	33	112182	KIT/DEFLECTOR LINER	1
18	653018	HN 1/2	6			(INCLUDES MOUNTING HARDWARE)	

CB1060/1065 - CONTROL BOX COMPONENTS (TORQUE SENSOR & METAL DETECTOR)

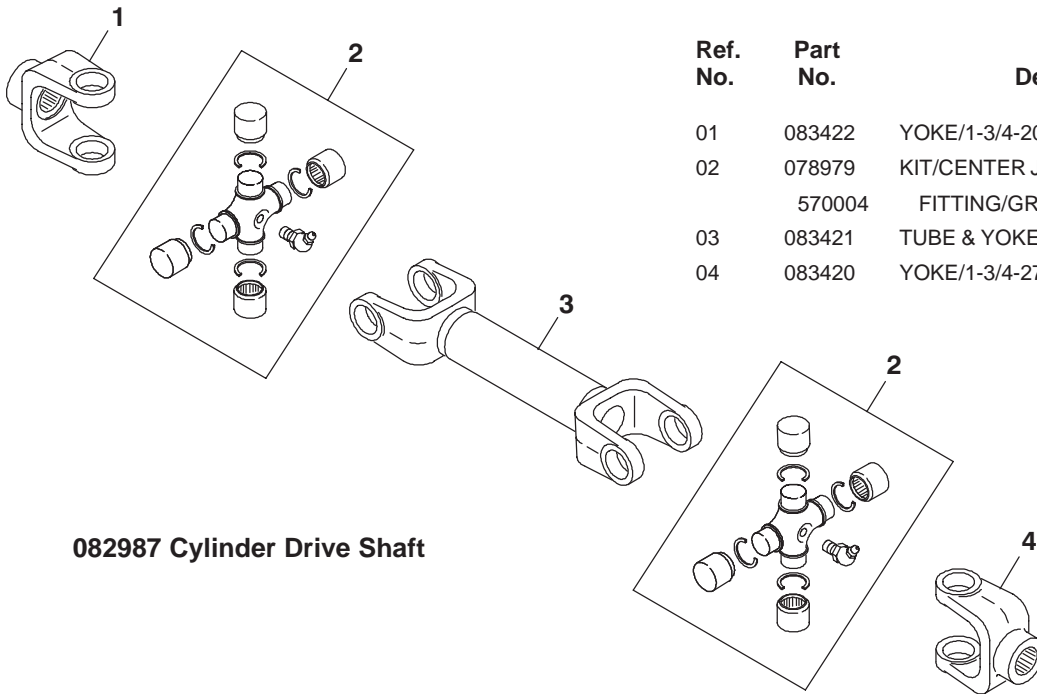
Ref. No.	Part No.	Description	Qty. Req.	Ref. No.	Part No.	Description	Qty. Req.
	112201	BOX/CONTROL ASSD FOR METAL DETECTOR	1	15	077494	CAPACITOR/ASS'Y	1
	112202	BOX/CONTROL ASSD FOR TORQUE SENSOR	1	16	077496	HARNESS/CONTROL BOX	1
		CONSISTS OF:		17	077497	RECTIFIER/ASSY	1
01	093437	DECAL/CONTROL BOX	1	18	077471	RECTIFIER	1
02	074580	SWITCH	2	19	077498	HORN/ASSY	1
03	077484	SWITCH/TOGGLE	2	20	078903	SWITCH/W/2 KEYS	1
04	069126	WASHER/TAB	3	21	078941	KEY/SWITCH	2
05	077477	LENS	2	22	077024	RELAY	1
06	077476	SWITCH/TOGGLE	1		650394	RHMS #6-32X1/2 (HN, LW, FW)	2
07	112204	DECAL/WIRING DIAGRAM	1	23	077503 _a	LIGHT/ASSY	2
08	077487	BREAKER/CIRCUIT (18 AMPERE)	1	24	077505	BRACKET/CONTROL BOX MTG	1
09	077491	HARNESS/OUTLET SUPPLY	1		650448	CS 1/4X3/4 (HN, 6FW, LW)	4
10	077492	HARNESS/POWER SUPPLY	1	25	112203	COVER/BACK BOX	1
11	074579	BREAKER/CIRCUIT (20 AMPERE)	1		650289	TFS #8X3/8	6
12	057781	BUSHING	1	26	112205	PANEL/FRONT	1
13	077493	JUMPER/TERMINAL	2	27	093438 _b	DECAL/DETECTOR OPERATION	1
14	071082	BOARD/TERMINAL	1	28	112154	HARNESS/3 WIRE	1
	650815	RHMS #10X3/4 (HN, LW)	2				

a) For replacement Bulb local purchase GE 1891 or equivalent.

b) Supplied ONLY on 112201 Control Box.

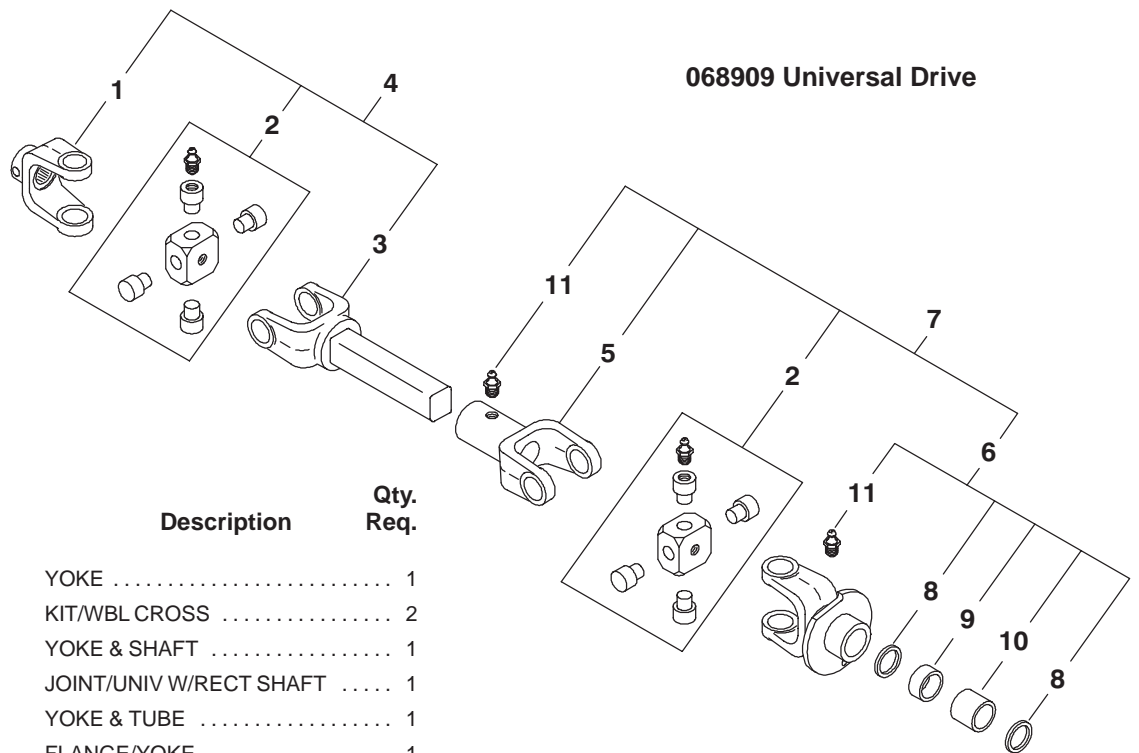
NOTE: Wires NOT shown are to be repaired locally.

CB1060/1065 - UNIVERSAL DRIVES



Ref. No.	Part No.	Description	Qty. Req.
01	083422	YOKE/1-3/4-20 SPLINE	1
02	078979	KIT/CENTER JOINT	2
	570004	FITTING/GREASE	1
03	083421	TUBE & YOKE	1
04	083420	YOKE/1-3/4-27 SPLINE	1

082987 Cylinder Drive Shaft



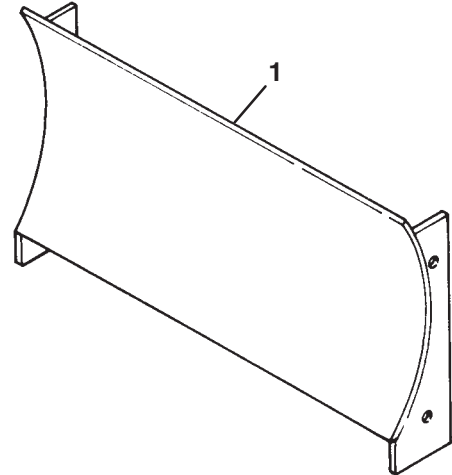
068909 Universal Drive

Ref. No.	Part No.	Description	Qty. Req.
01	055970	YOKE	1
02	071400	KIT/WBL CROSS	2
03	055969	YOKE & SHAFT	1
04	055300	JOINT/UNIV W/RECT SHAFT	1
05	055971	YOKE & TUBE	1
06	071833	FLANGE/YOKE	1
07	068910	JOINT/UNIV W/RECT TUBE	1
08	055873	SEAL/OIL	2
09	055872	BEARING/NEEDLE	1
10	055874	BEARING/NEEDLE	1
11	570002	FITTING/GREASE	2

806258 Wet Crop Deflector*

Ref. No.	Part No.	Description	Qty. Req.
01	070487	DEFLECTOR/WET CROP	1

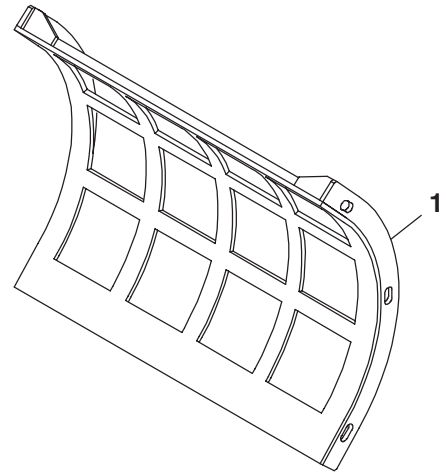
* Requires 802709 Screen Mounting Kit to attach and adjust.



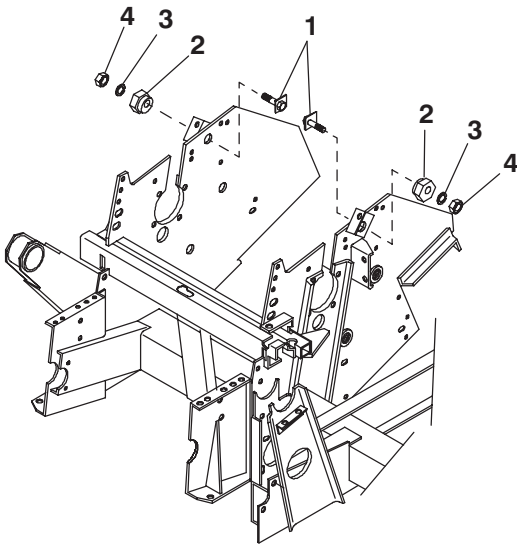
Square-holed Screens*

Ref. No.	Part No.	Description	Qty. Req.
01	800261	SCREEN WITH 3/4" HOLES	1
	800262	SCREEN WITH 1" HOLES	1
	800263	SCREEN WITH 1-1/4" HOLES	1
	800264	SCREEN WITH 1-1/2" HOLES	1
	800265	SCREEN WITH 2" HOLES	1
	800266	SCREEN WITH 3" HOLES	1
	800267	SCREEN WITH 4" HOLES	1

* Requires 802709 Screen Mounting Kit to attach and adjust.



802709 Screen Mounting Kit



Ref. No.	Part No.	Description	Qty. Req.
01	046864	BOLT/CAM	6
02	046866	CAM/SCREEN ADJUSTMENT	6
03	654030	LW 1/2	6
04	653018	HN 1/2	6

CLICK HERE TO **DOWNLOAD** THE COMPLETE MANUAL

- Thank you very much for reading the preview of the manual.
- You can download the complete manual from: www.heydownloads.com by clicking the link below



- Please note: If there is no response to CLICKING the link, please download this PDF first and then click on it.

CLICK HERE TO **DOWNLOAD** THE COMPLETE MANUAL