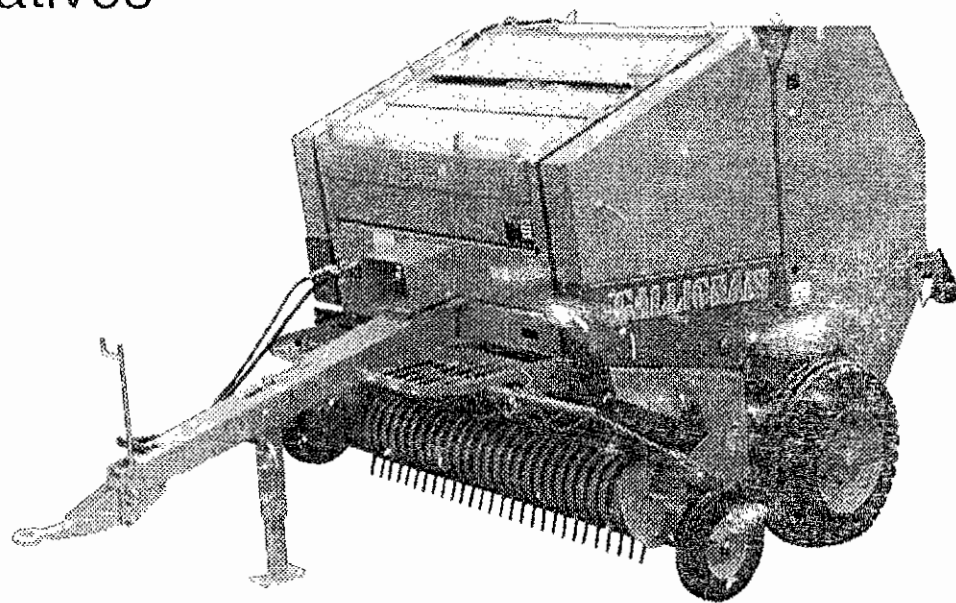


GALLIGNANO

R 52

R 52L

Presse raccoglitrici per balle cilindriche
Ramasseuses presses rotatives
Round balers



IDM Di comunicazione tecnica & Grafica - FO - 217 19 Ed 5

**catalogo parti di ricambio
pieces de rechange
spare parts list**

Annula e sostituisce
Annule et remplace
Cancels and repiace

98 09 112

5

01-06-94

N. 98.09.117

CLICK HERE TO **DOWNLOAD** THE COMPLETE MANUAL

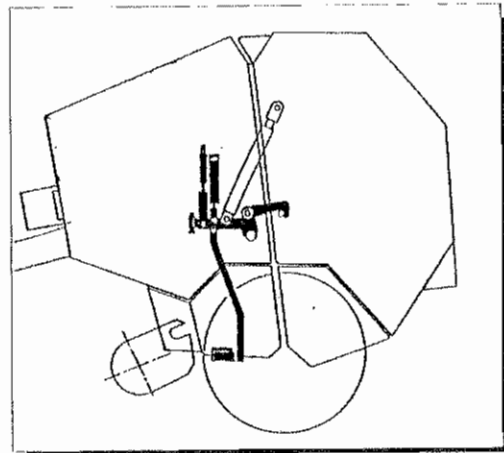
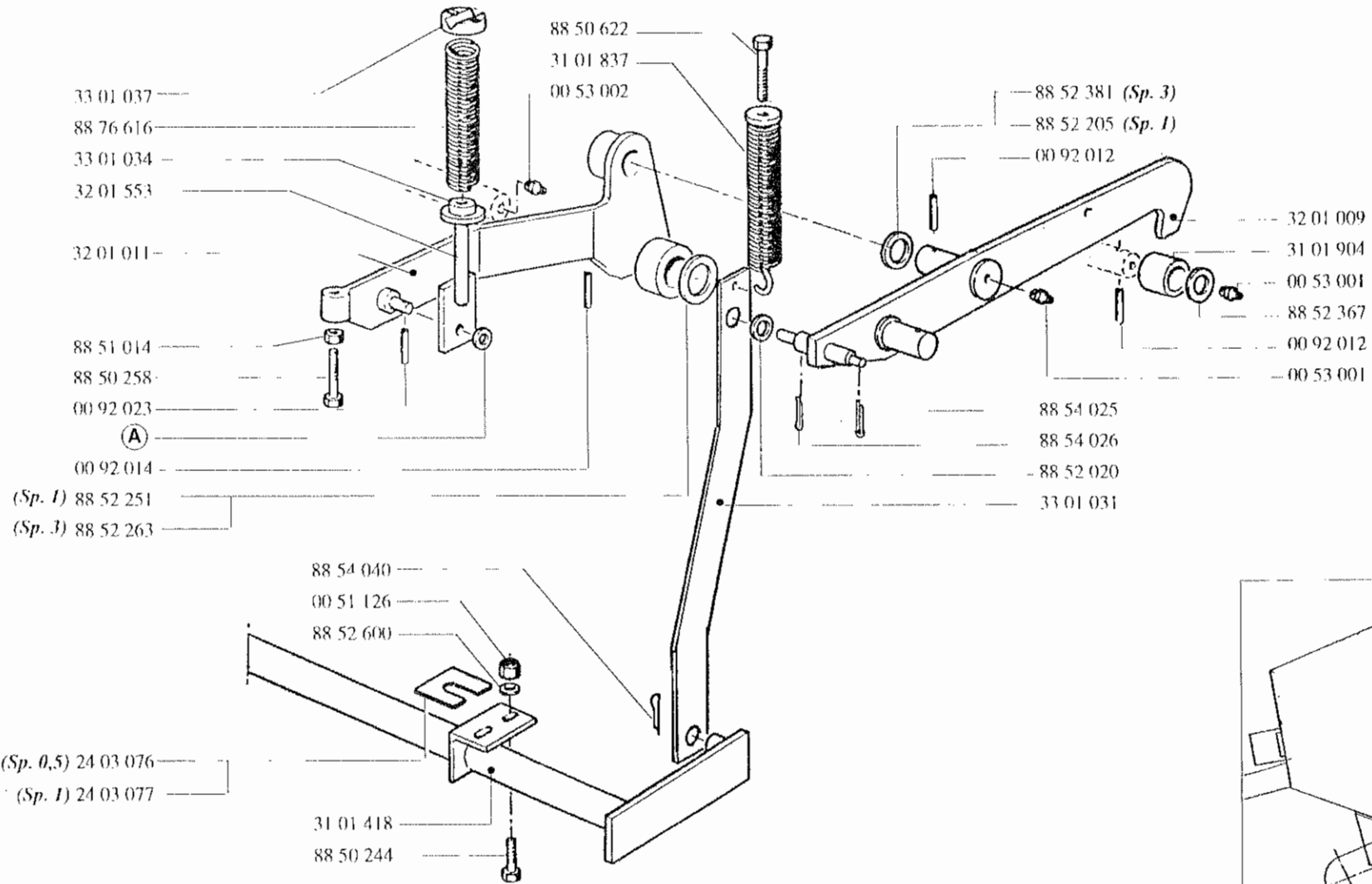
- Thank you very much for reading the preview of the manual.
- You can download the complete manual from: www.heydownloads.com by clicking the link below



- Please note: If there is no response to CLICKING the link, please download this PDF first and then click on it.

CLICK HERE TO **DOWNLOAD** THE COMPLETE MANUAL

Ⓐ { 88 52 396 (Sp. 0,5)
88 52 397 (Sp. 1)



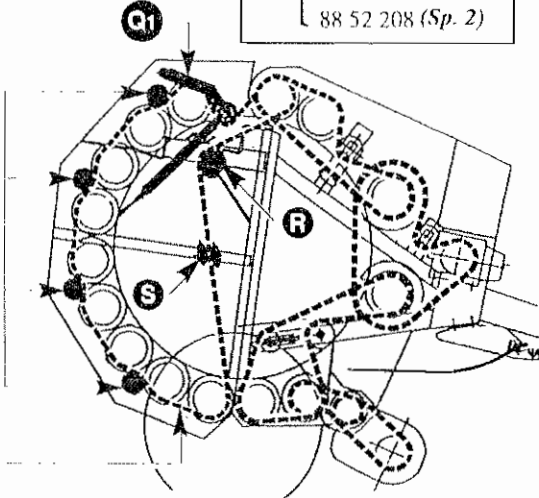
R 52 - 3200

GANCIO DI CHIUSURA SINISTRO
CROCHET DE FERMATURE GAUCHE
LEFT CLOSING HOOK

5
01-06-94 **A21**

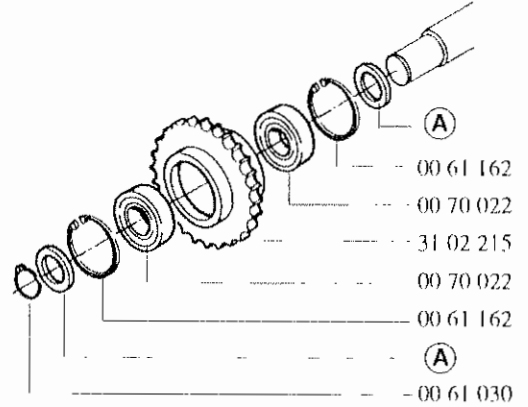
(1 → 112921)

- (A) {
 88 52 372 (Sp. 0,2)
 88 52 374 (Sp. 0,5)
 88 52 205 (Sp. 1)
 88 52 208 (Sp. 2)



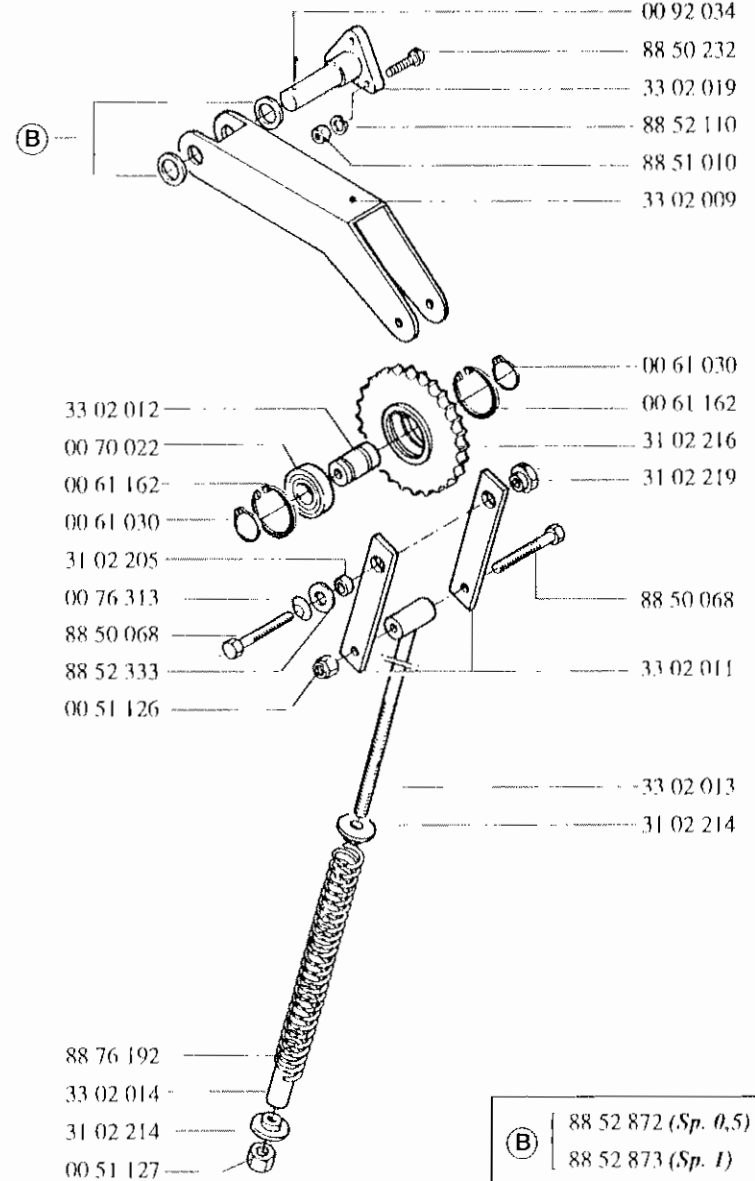
88 62 526

(R)



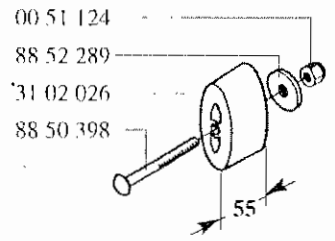
- 00 61 162
- 00 70 022
- 31 02 215
- 00 70 022
- 00 61 162
- (A)
- 00 61 030

(Q1)



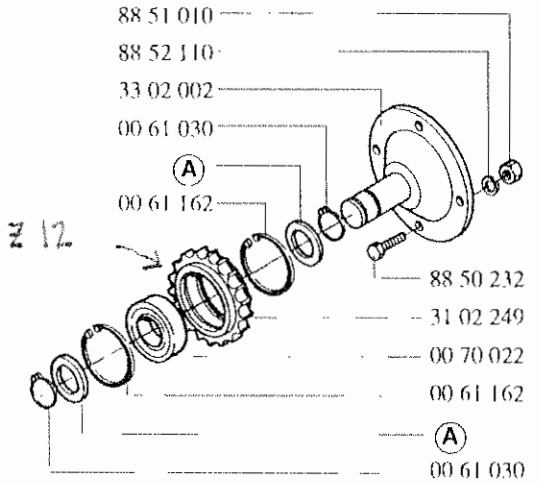
- 00 92 034
- 88 50 232
- 33 02 019
- 88 52 110
- 88 51 010
- 33 02 009
- 00 61 030
- 00 61 162
- 31 02 216
- 31 02 219
- 33 02 012
- 00 70 022
- 00 61 162
- 00 61 030
- 31 02 205
- 00 76 313
- 88 50 068
- 88 52 333
- 00 51 126
- 88 50 068
- 33 02 011
- 33 02 013
- 31 02 214
- 88 76 192
- 33 02 014
- 31 02 214
- 00 51 127

(S)



- 00 51 124
- 88 52 289
- 31 02 026
- 88 50 398

(P)



- 88 51 010
- 88 52 110
- 33 02 002
- 00 61 030
- (A)
- 00 61 162
- 88 50 232
- 31 02 249
- 00 70 022
- 00 61 162
- (A)
- 00 61 030

z 12

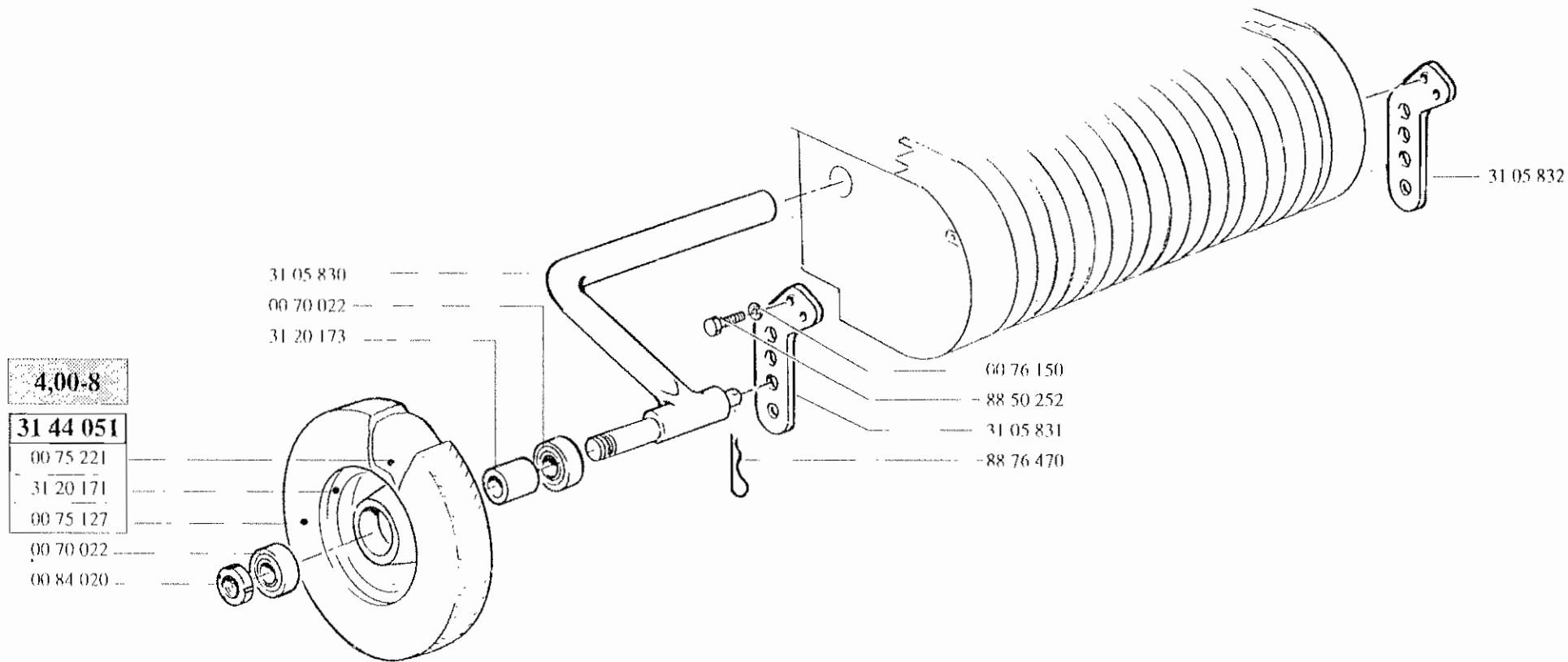
- (B) {
 88 52 872 (Sp. 0,5)
 88 52 873 (Sp. 1)



R 52

TRASMISSIONE PARTE MOBILE
 TRANSMISSION PARTIE MOBILE
 TRANSMISSION MOVING PART

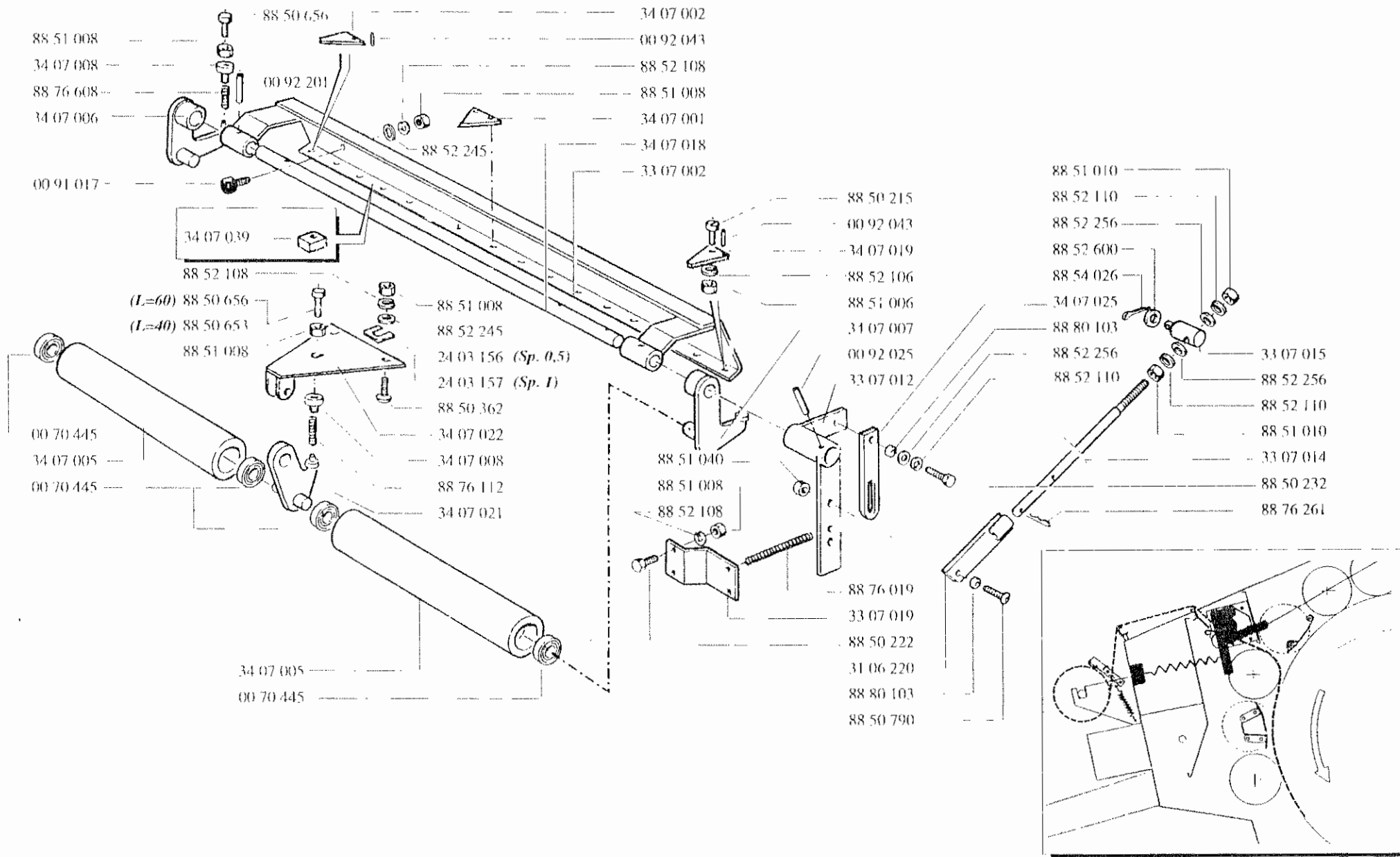
5
 01-06-94 **B40**



R 52 - 3200

RUOTINO RACCOLITORE
 ROUE DE RAMASSEUR
 PICK-UP WHEEL

5	D50
01-06-94	



R 52 - 3200

LEGATORE A RETE "ROTOMECC"
 LIEUR A FILET "ROTOMECC"
 "ROTOMECC" NET TYING UNIT

CLICK HERE TO **DOWNLOAD** THE COMPLETE MANUAL

- Thank you very much for reading the preview of the manual.
- You can download the complete manual from: www.heydownloads.com by clicking the link below

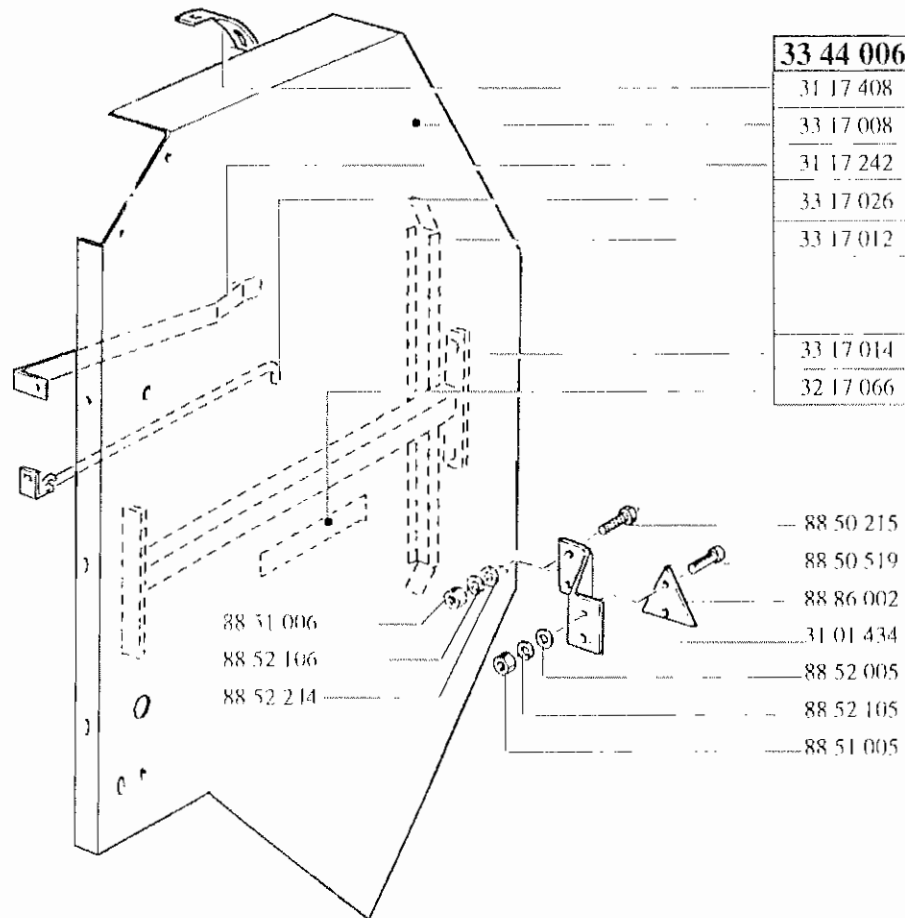
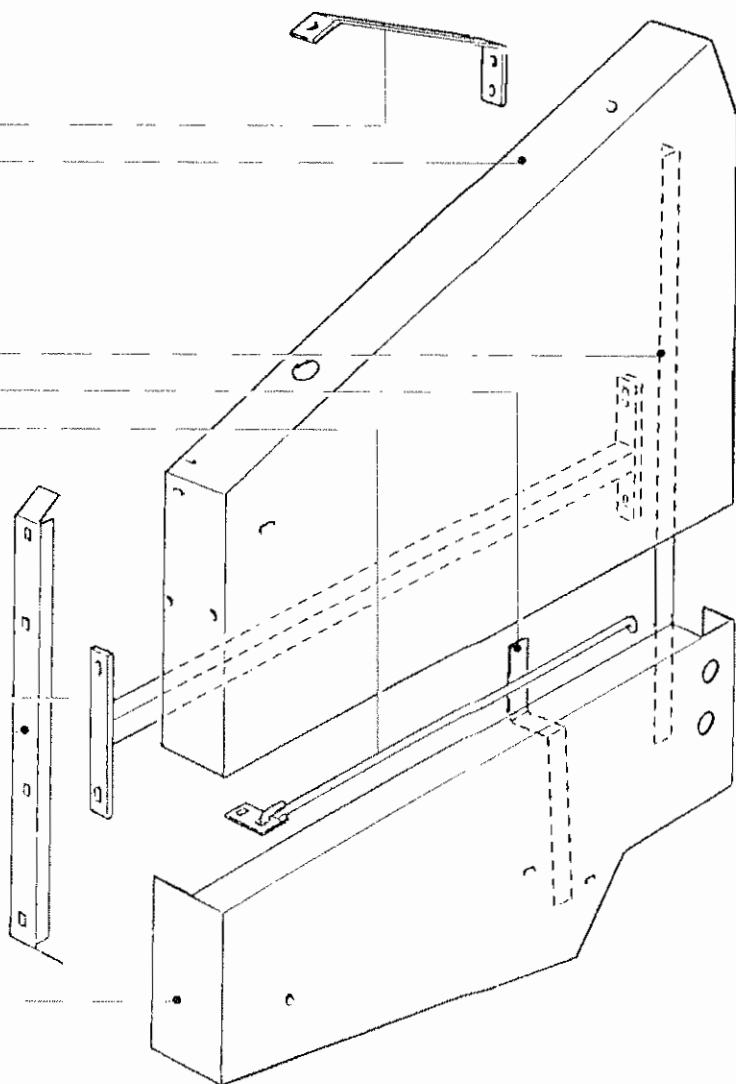


- Please note: If there is no response to CLICKING the link, please download this PDF first and then click on it.

CLICK HERE TO **DOWNLOAD** THE COMPLETE MANUAL

(\rightarrow 112921) (\rightarrow 112920)

33 44 020	33 44 008
33 17 024	33 17 024
33 17 009	33 17 009
33 17 016	33 17 016
33 17 027	33 17 027
33 17 025	33 17 025
33 17 015	33 17 015
33 17 031	33 17 013
33 17 030	33 17 010



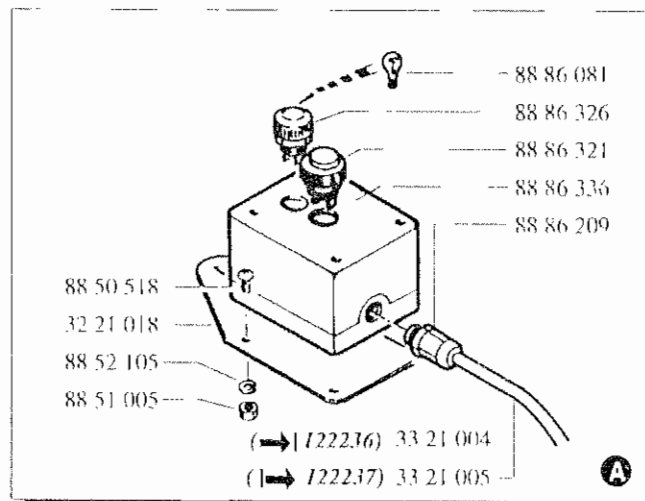
33 44 006
31 17 408
33 17 008
31 17 242
33 17 026
33 17 012
33 17 014
32 17 066

88 51 006	88 50 215
88 52 106	88 50 519
88 52 214	88 86 002
	31 01 434
	88 52 005
	88 52 105
	88 51 005

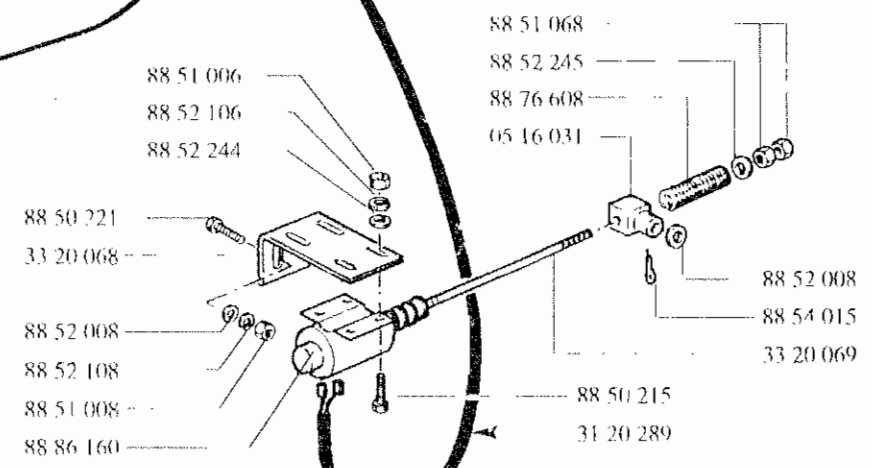
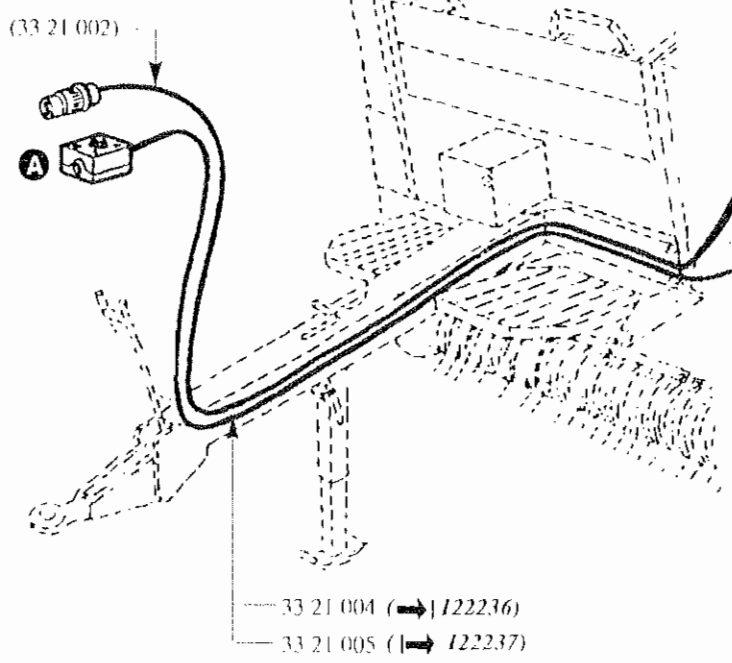
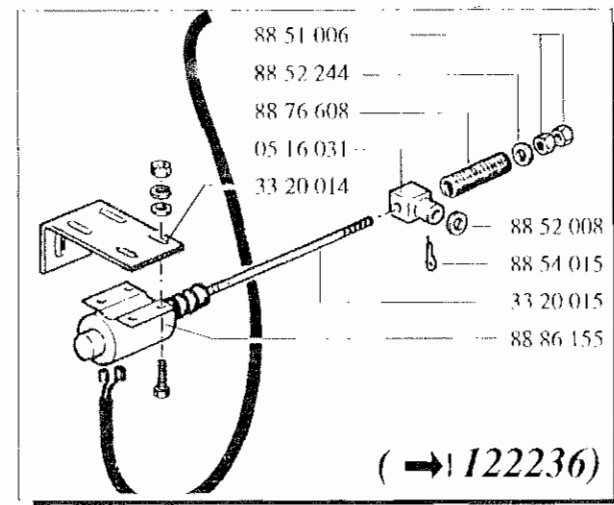
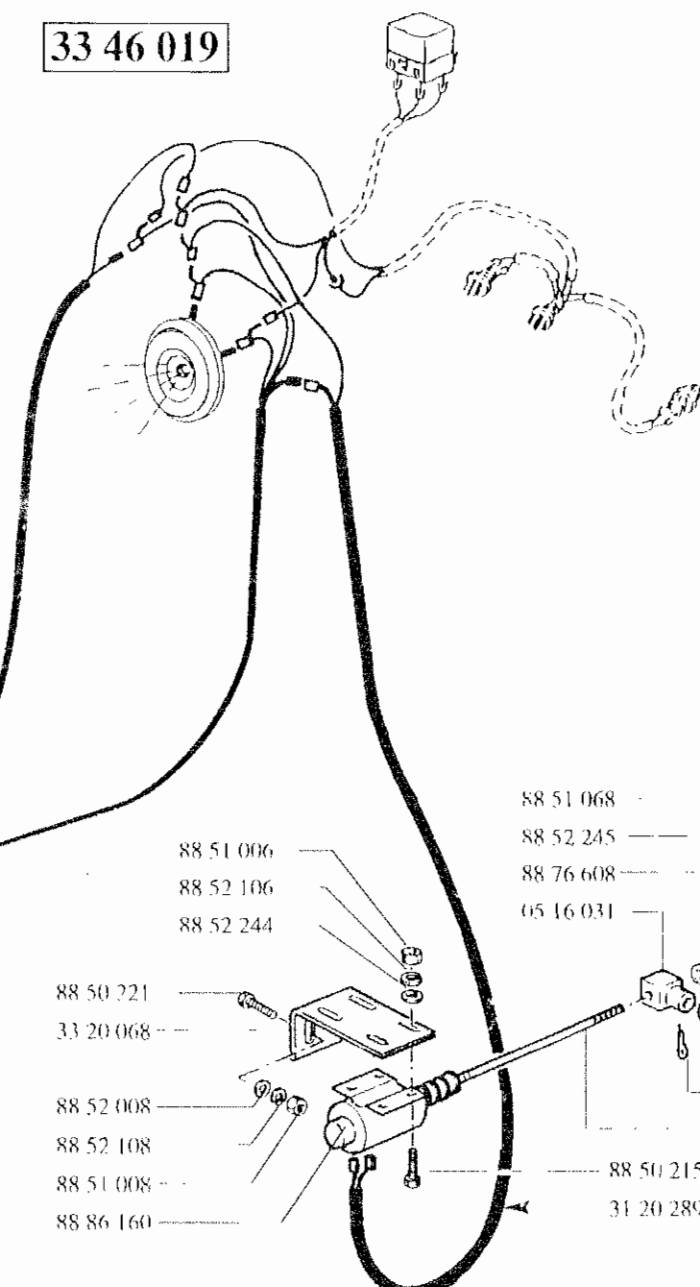


R 52

PROTEZIONI SINISTRE
PROTECTIONS GAUCHE
LEFT GUARDS



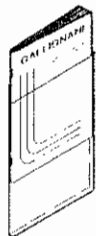
33 46 019



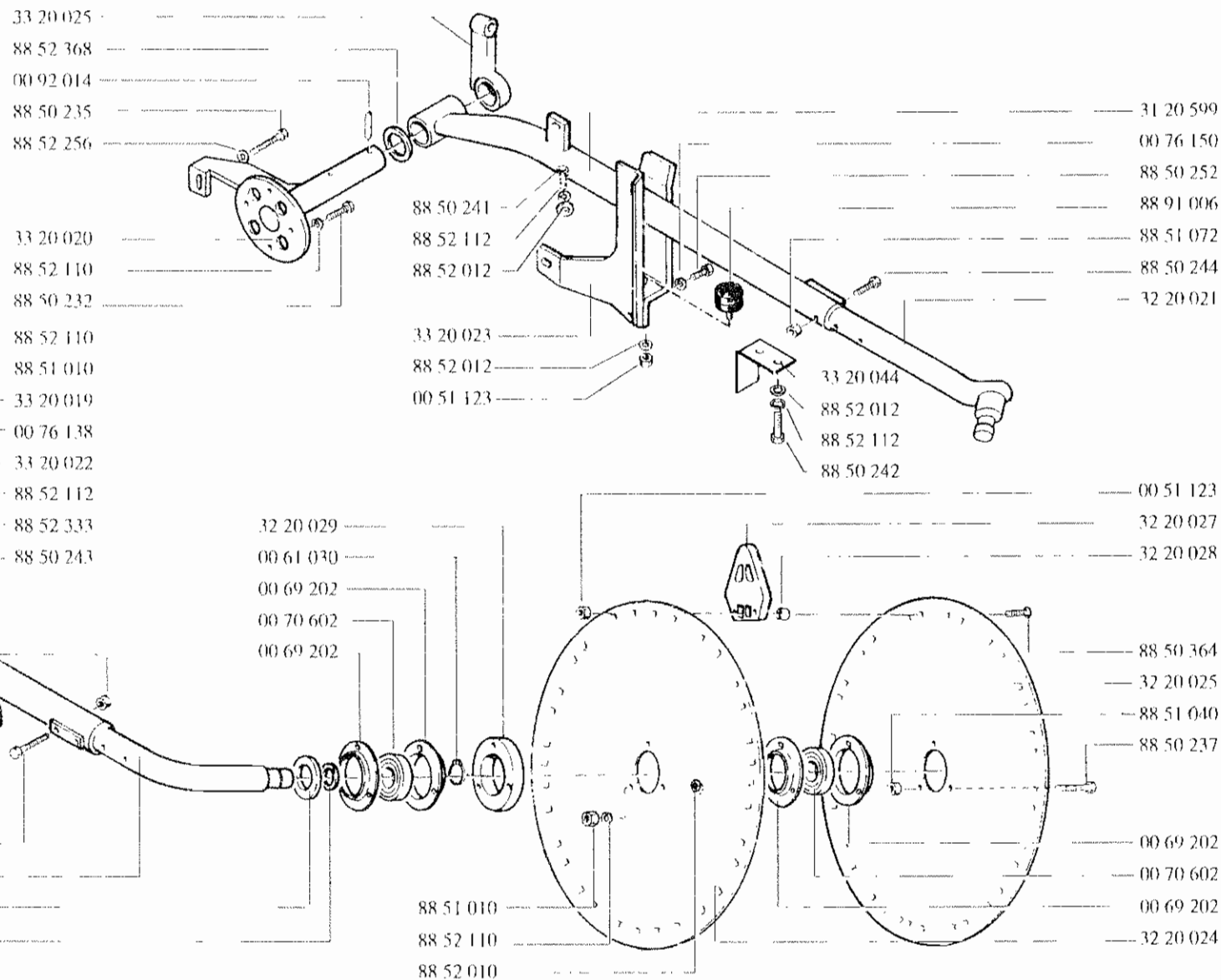
R 52

IMPIANTO ELETTRICO PER LEGATORE A RETE
SYSTEME ELECTRIQUE DE LIEUR A FILET
NET TYING UNIT ELECTRIC SYSTEM

33 46 010



98 20 411
98 01 008










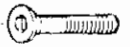


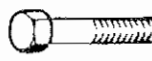




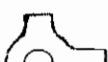




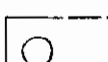
(→ 112921)

R 52 - 3200

RUOTE RASTREMATICHE DI GRANDE DIAMETRO
DEFLECTEUR LATÉRAUX DE GRAND DIAMÈTRE
OVERSIZE FINGER WHEEL RAKES

5
01-06-94 **R40**

CODICI VITI - DADIE RONDELLE • N. DE CODE POUR VIS - ECROUS ET RONDELLES • CODE N°. FOR SCREWS - NUTS AND WASHERS

 88 50 409 M 8 x 70 88 50 414 M 8 x 50 88 50 415 M 8 x 30 88 50 420 M 10 x 25 88 50 421 M 10 x 30 88 40 435 M 12 x 50 88 50 445 M 16 x 100 88 50 447 M 6 x 50	 88 50 609 M 12 x 70 88 50 610 M 12 x 100 88 50 622 M 14 x 100 88 50 625 M 14 x 120 88 50 630 M 10 x 100 88 50 633 M 10 x 70 88 50 646 M 6 x 45 88 50 651 M 8 x 45 88 50 653 M 8 x 40 88 50 655 M 8 x 10 88 50 656 M 8 x 60 88 50 660 M 16 x 80 88 50 663 M 16 x 100	 88 51 005 M 5 88 51 006 M 6 88 51 008 M 8 88 51 010 M 10 88 51 012 M 12 88 51 013 M 12 x 1,25 88 51 014 M 14 88 51 015 M 14 x 1,5 88 51 016 M 16 88 51 018 M 18 88 51 019 M 18 x 1,5 88 51 020 M 20 88 51 021 M 20 x 1,5 88 51 161 M 12 x 1,5 sin	 88 51 068 M 8 88 51 070 M 10 88 51 072 M 12 88 51 073 M 12 x 1,25 88 51 074 M 14 88 51 075 M 14 x 1,5 88 51 076 M 16 88 51 079 M 18 x 1,5 88 51 080 M 20 88 51 081 M 20 x 1,5 88 51 084 M 20 sin. 88 51 085 M 24 x 2 88 51 087 M 18	 88 52 004 ø 4 88 52 005 ø 5 88 52 006 ø 6 88 52 008 ø 8 88 52 010 ø 10 88 52 012 ø 12 88 52 014 ø 14 88 52 016 ø 16 88 52 018 ø 18 88 52 020 ø 20 88 52 022 ø 22 88 52 025 ø 25	 88 54 005 2 x 15 88 54 015 3 x 20 88 54 016 3 x 30 88 54 017 3 x 35 88 54 020 3,5 x 30 88 54 025 4 x 20 88 54 026 4 x 30 88 54 027 4 x 35 88 54 028 4 x 40 88 54 040 5 x 30 88 54 041 5 x 40 88 54 042 5 x 50 88 54 045 5 x 60 88 54 050 6 x 40 88 54 051 6 x 50 88 54 060 8 x 60 88 54 063 8 x 40
 88 50 458 M 5 x 8 88 50 461 M 8 x 12 88 50 463 M 8 x 20 88 50 470 M 8 x 20 88 50 479 M 10 x 25 88 50 482 M 10 x 20 88 50 487 M 10 x 14	 88 50 681 M 10 x 30 88 50 682 M 8 x 20 88 50 684 M 16 x 50 88 50 685 M 8 x 40 88 50 686 M 6 x 20 88 50 687 M 12 x 35 88 50 692 M 10 x 80 88 50 695 M 8 x 60	88 51 200 M 12 x 1,5 88 51 203 M 10 x 1 88 51 300 M 14 x 1,5 R-80 88 51 301 M 14 x 1,5 R-80 88 51 302 M 16 x 1,5 R-80 88 51 304 M 12 x 1,25 R-80	 88 51 090 M 25 x 1,5 88 51 101 M 30 x 2 88 51 102 M 20 x 1,5 88 51 103 M 16 x 1,5	 88 52 105 ø 5 88 52 106 ø 6 88 52 108 ø 8 88 52 110 ø 10 88 52 112 ø 12 88 52 114 ø 14 88 52 116 ø 16 88 52 120 ø 20	 88 60 101 6 x 35 R-50 88 60 102 6 x 40 R-50 88 60 111 8 x 45 R-50
 88 50 465 M 8 x 20 88 50 475 M 8 x 25	 88 50 700 M 8 x 1 x 25 88 50 716 M 10 x 1,25 x 25 88 50 718 M 10 x 1,25 x 30	 88 51 038 M 8 88 51 040 M 10 88 51 042 M 12 88 51 043 M 12 x 1,25 88 51 044 M 14 88 51 045 M 14 x 1,5 88 51 046 M 16 88 51 047 M 16 x 1,5 88 51 048 M 18 88 51 055 M 24 x 2 88 51 055 M 24 x 2 88 51 056 M 24 x 2 sin. 88 51 301 M 14 x 1,5 R-80	 88 51 109 M 14 x 1,5 88 51 112 M 24 x 2 88 51 113 M 42 x 3 88 51 114 M 24 x 1,5	 88 52 901 ø 15 88 52 902 ø 13 88 52 903 ø 17	 88 90 505 3 x 7 88 90 506 3 x 11
 88 50 535 ø 6 x 16 88 50 536 ø 6,3 x 25,4	 88 50 802 M 14 x 45 x 130	88 51 055 M 24 x 2 88 51 055 M 24 x 2 88 51 056 M 24 x 2 sin. 88 51 301 M 14 x 1,5 R-80	 88 51 171 M 8 88 51 175 M 12	 88 52 910 ø 10,5 88 52 912 ø 13	

CLICK HERE TO **DOWNLOAD** THE COMPLETE MANUAL

- Thank you very much for reading the preview of the manual.
- You can download the complete manual from: www.heydownloads.com by clicking the link below



- Please note: If there is no response to CLICKING the link, please download this PDF first and then click on it.

CLICK HERE TO **DOWNLOAD** THE COMPLETE MANUAL