

GV516 R
(T-N-NT)

CATALOGO PARTI DI RICAMBIO

*SPARE PARTS LIST
ERSATZTEILKATALOG
PIECES DE RECHANGE
CATÁLOGO REPUESTOS*

Code	GV516 R_SPL	Edition	01-2014
I ▶	SN KB165488	▶ I	

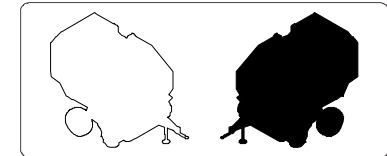
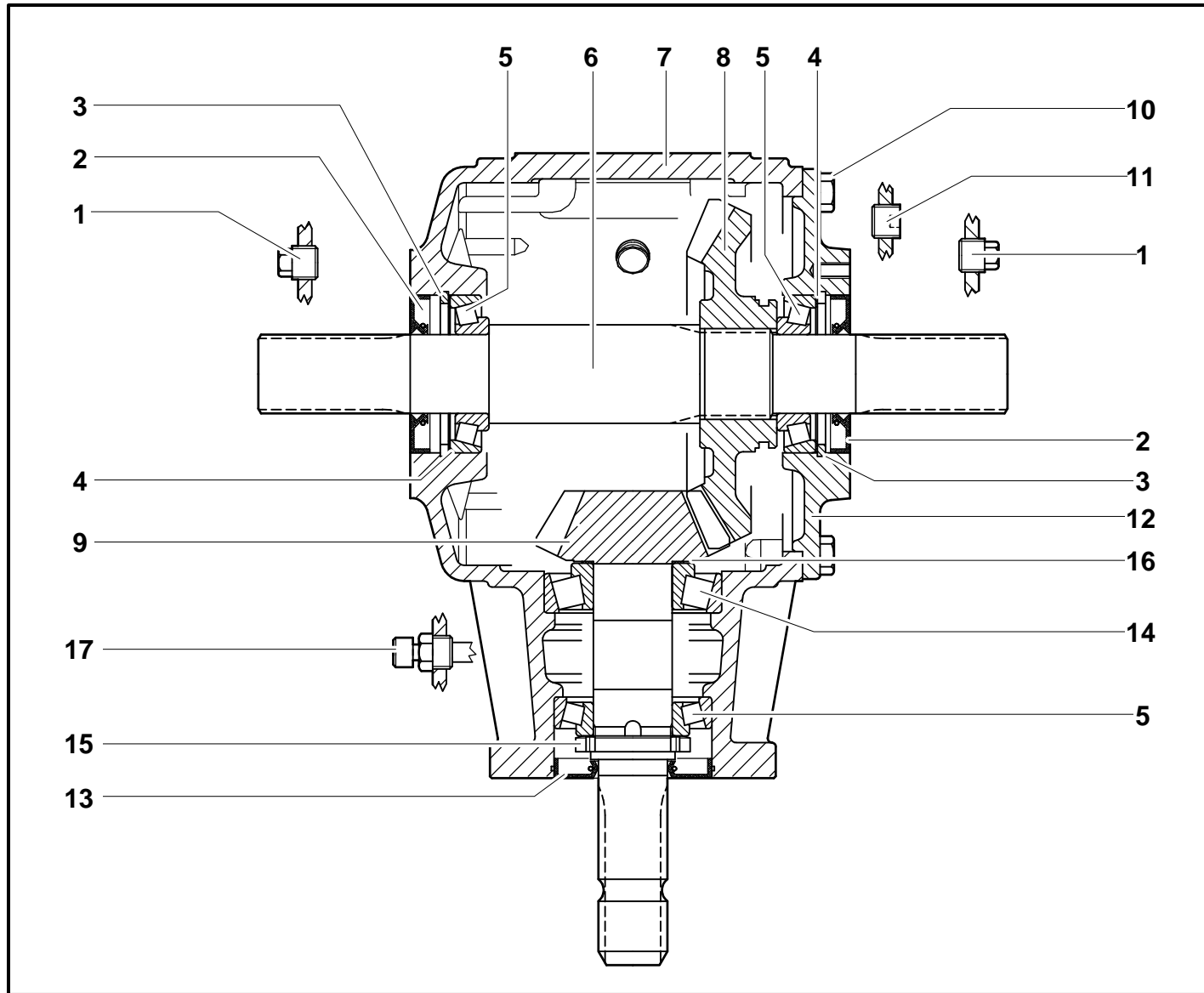
CLICK HERE TO **DOWNLOAD** THE COMPLETE MANUAL

- Thank you very much for reading the preview of the manual.
- You can download the complete manual from: www.heydownloads.com by clicking the link below



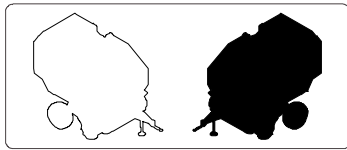
- Please note: If there is no response to CLICKING the link, please download this PDF first and then click on it.

CLICK HERE TO **DOWNLOAD** THE COMPLETE MANUAL



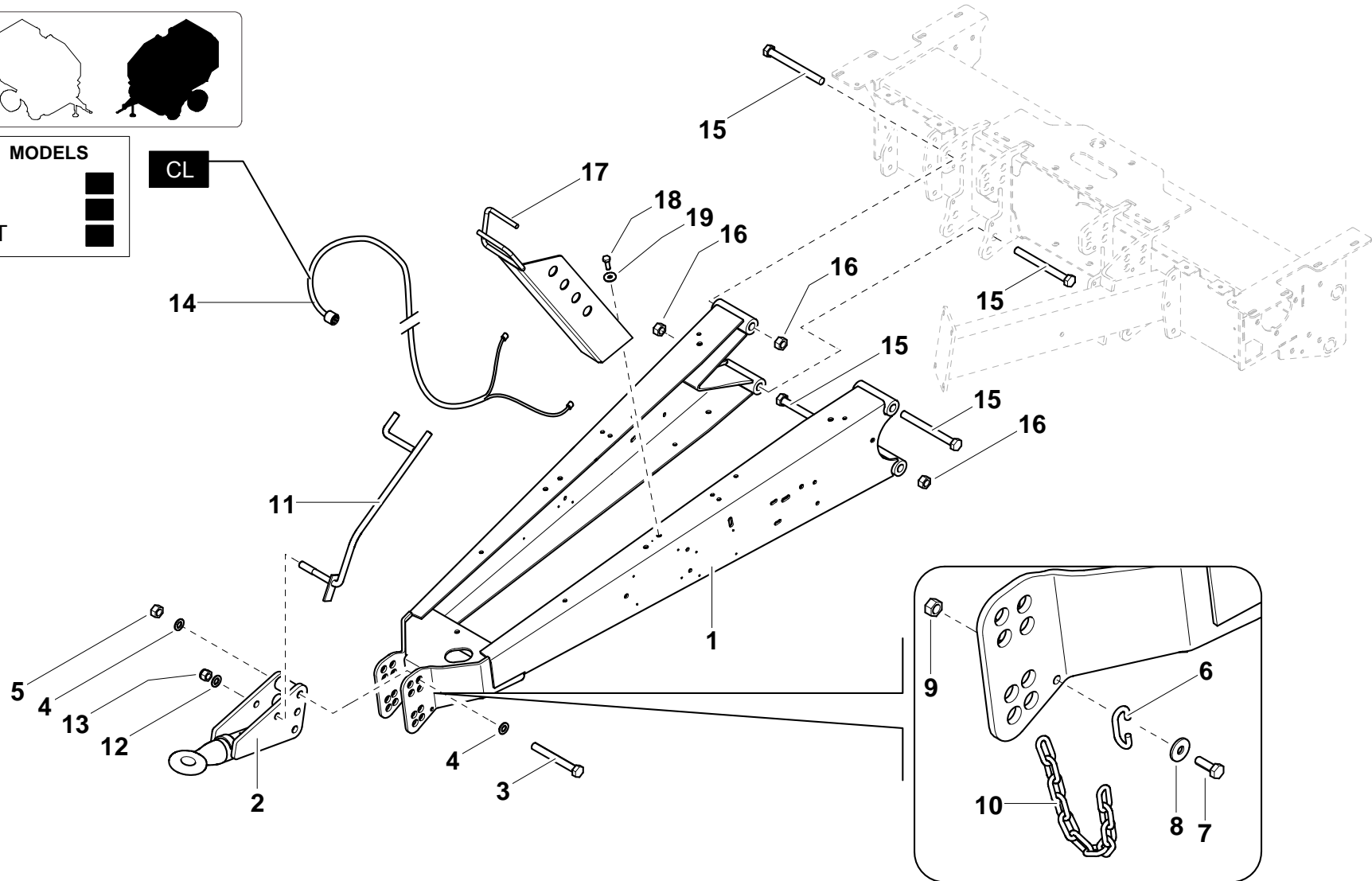
MODELS	
T	■
N	■
NT	■

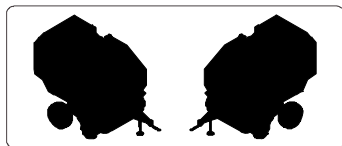
18



MODELS	
T	■
N	■
NT	■

CL

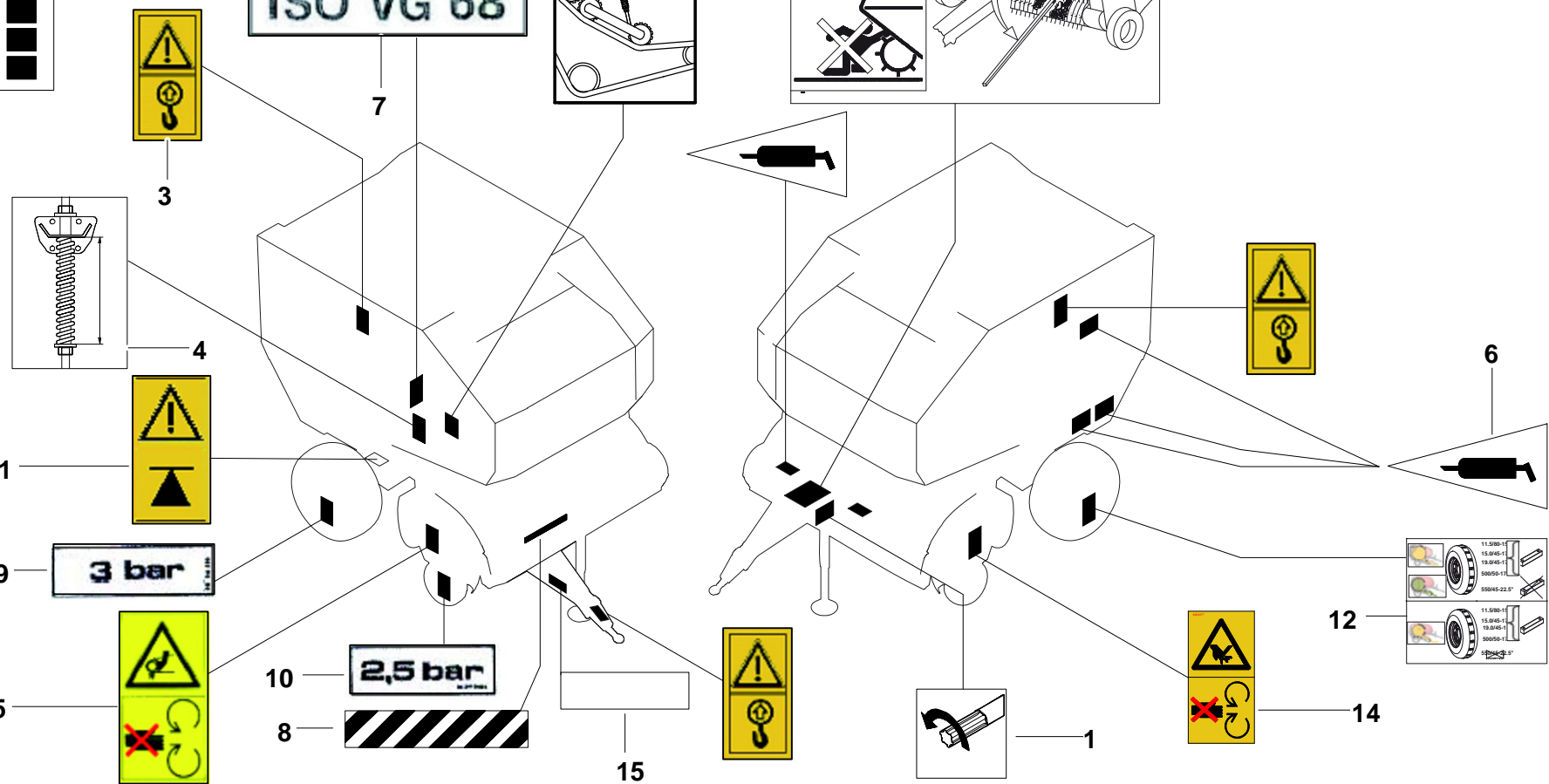
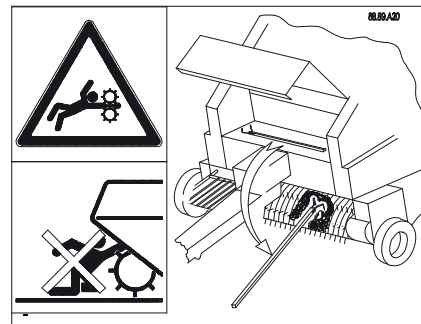
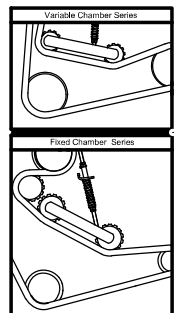




MODELS

T	■
N	■
NT	■

20 W SAE
ISO VG 46
ISO VG 68



3

4

11

9

5

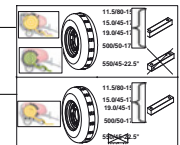
10

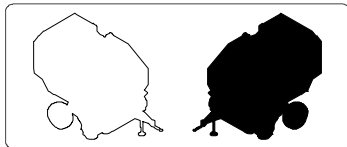
8

13

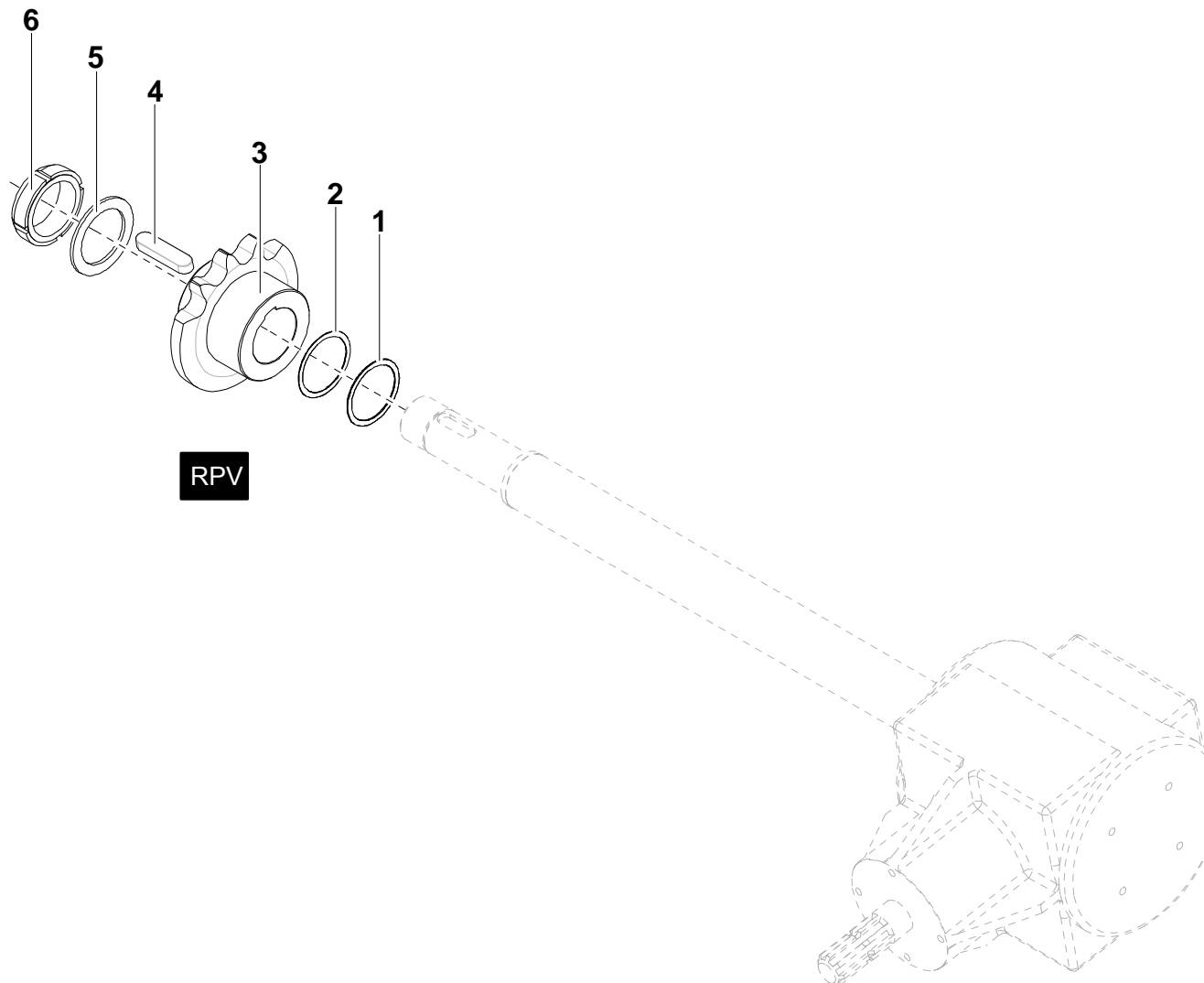
1

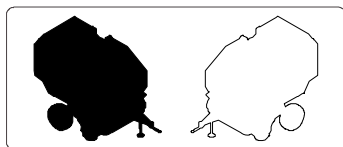
14





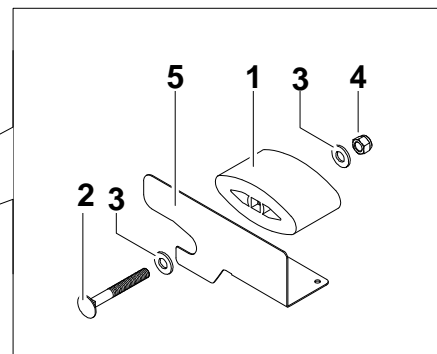
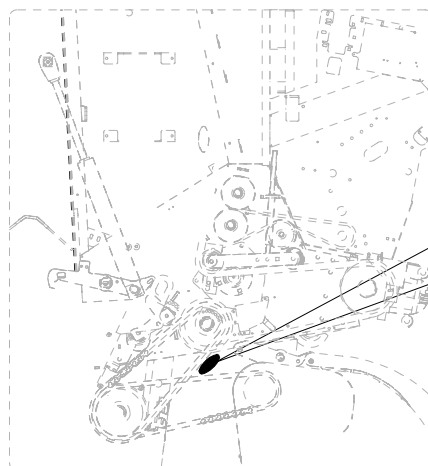
MODELS	
T	■
N	■
NT	■

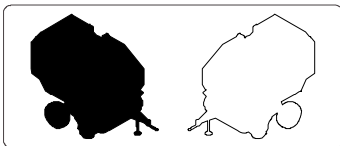




MODELS

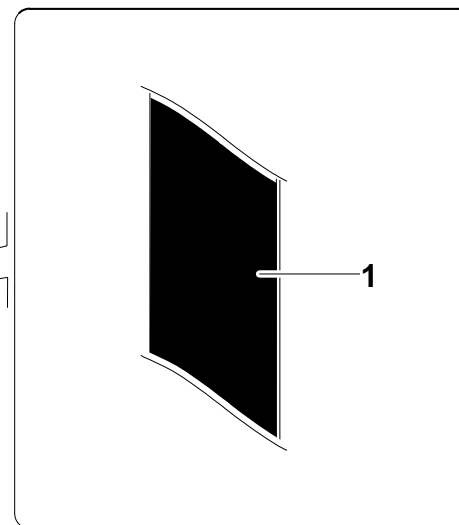
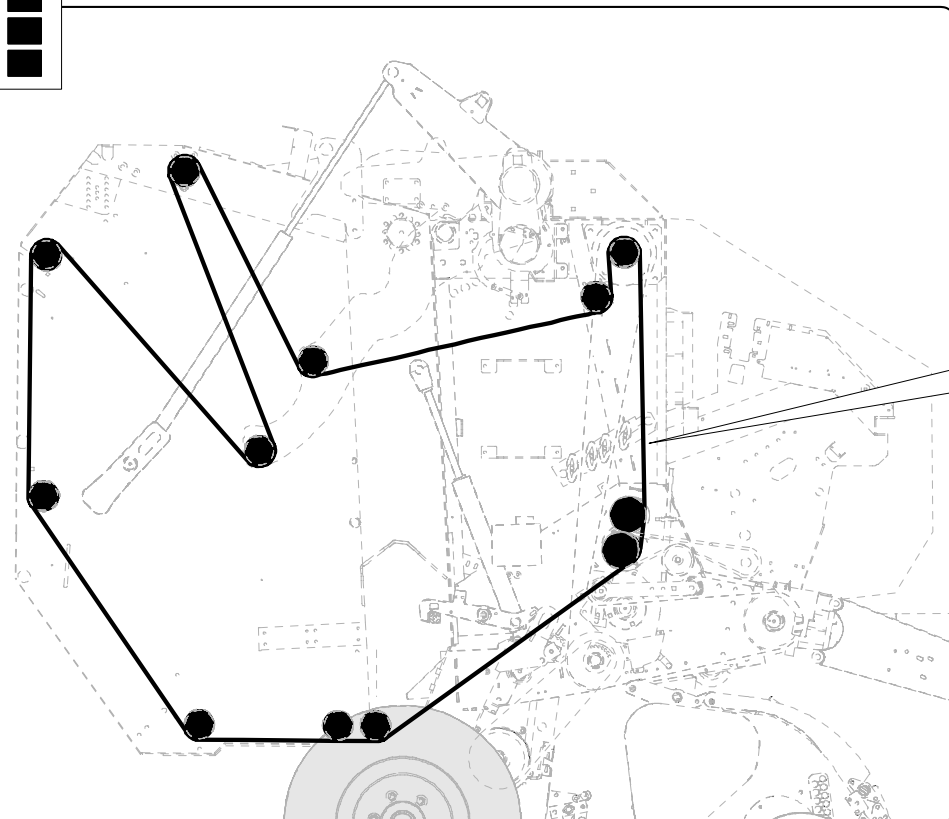
T	■
N	■
NT	■

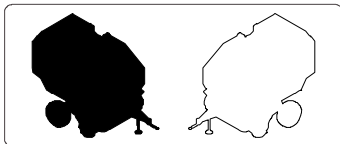




MODELS

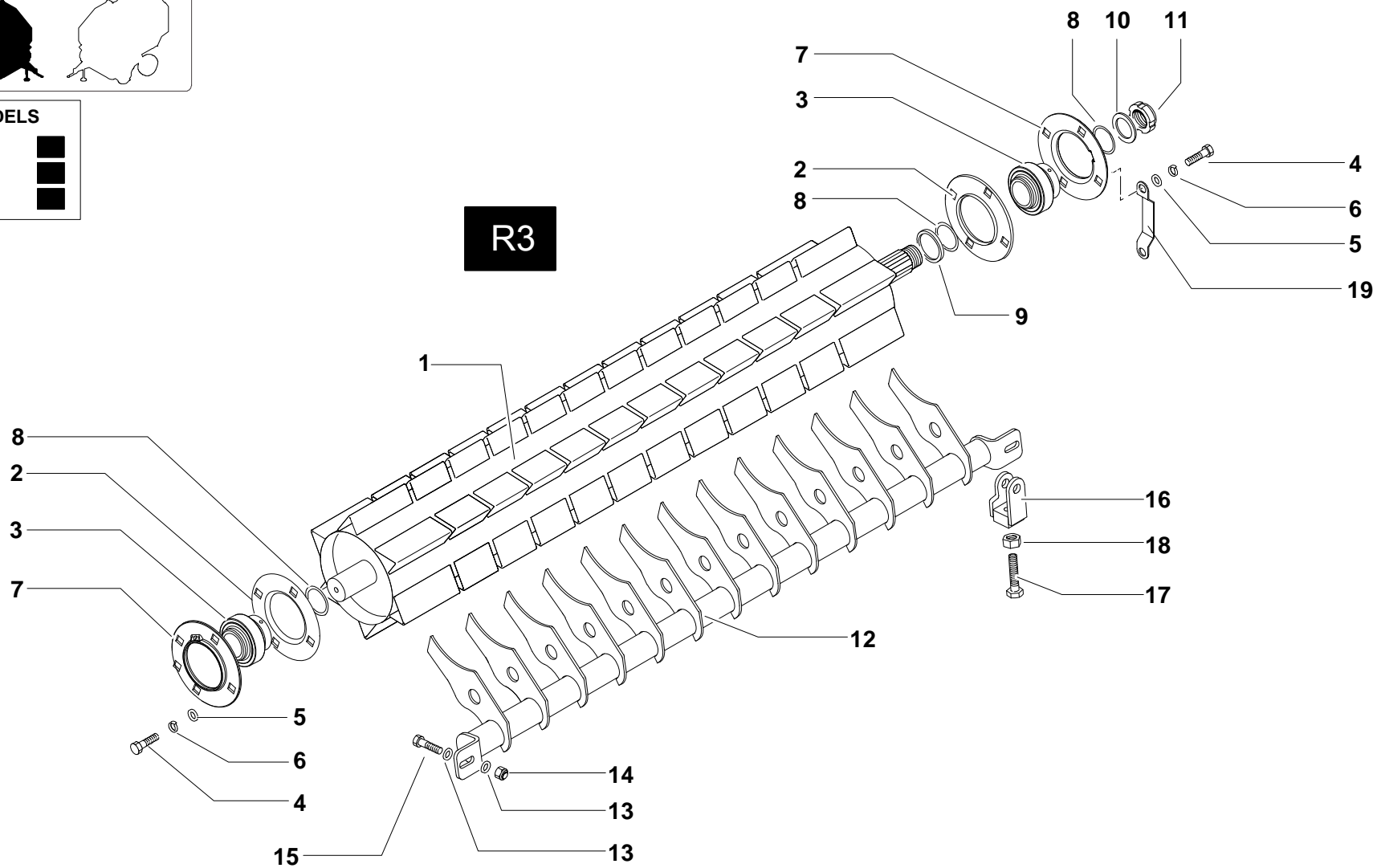
T
N
NT

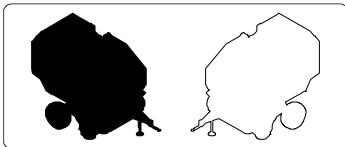




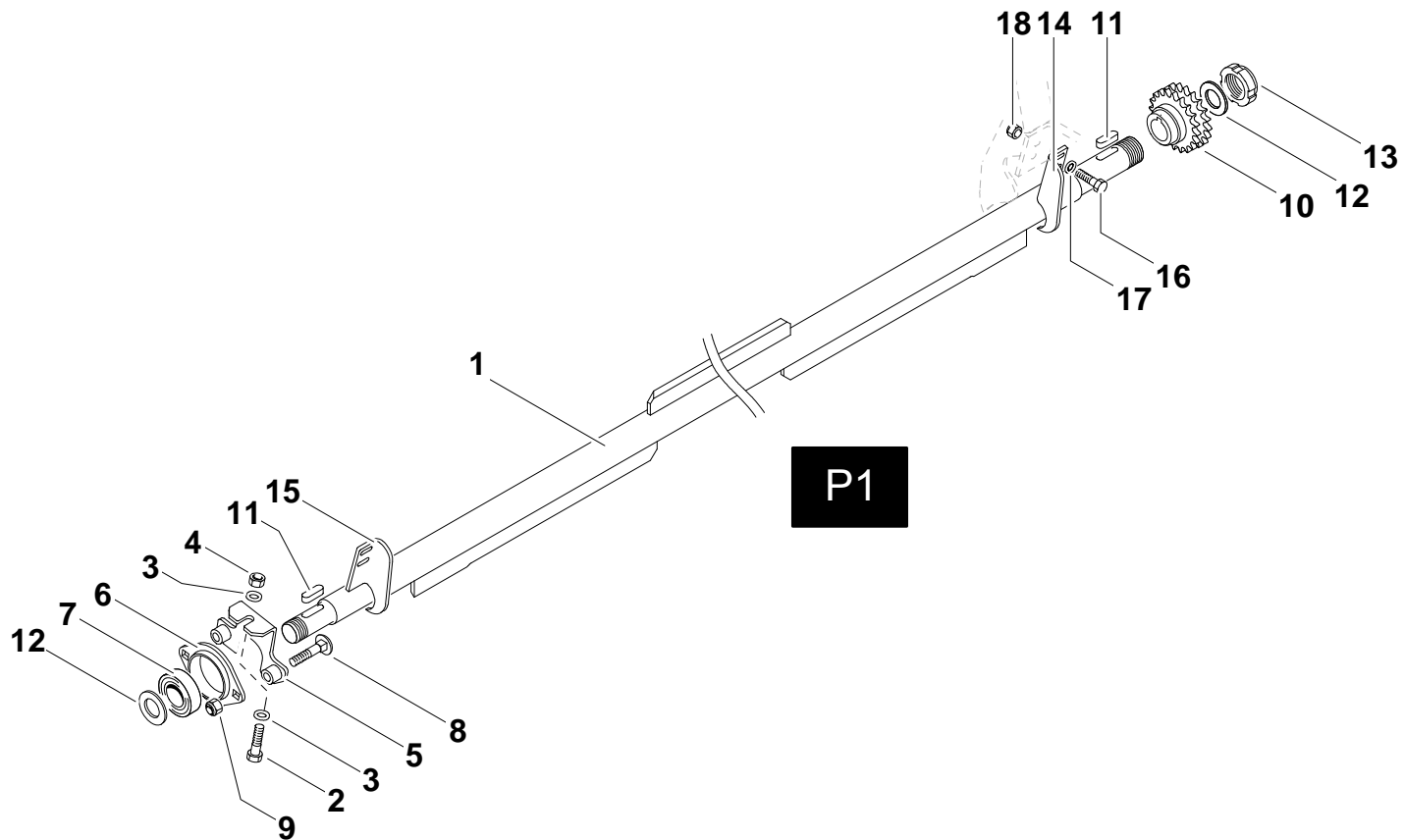
MODELS	
T	■
N	■
NT	■

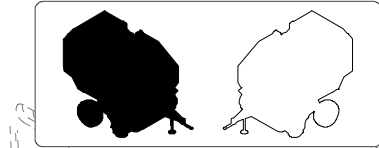
R3





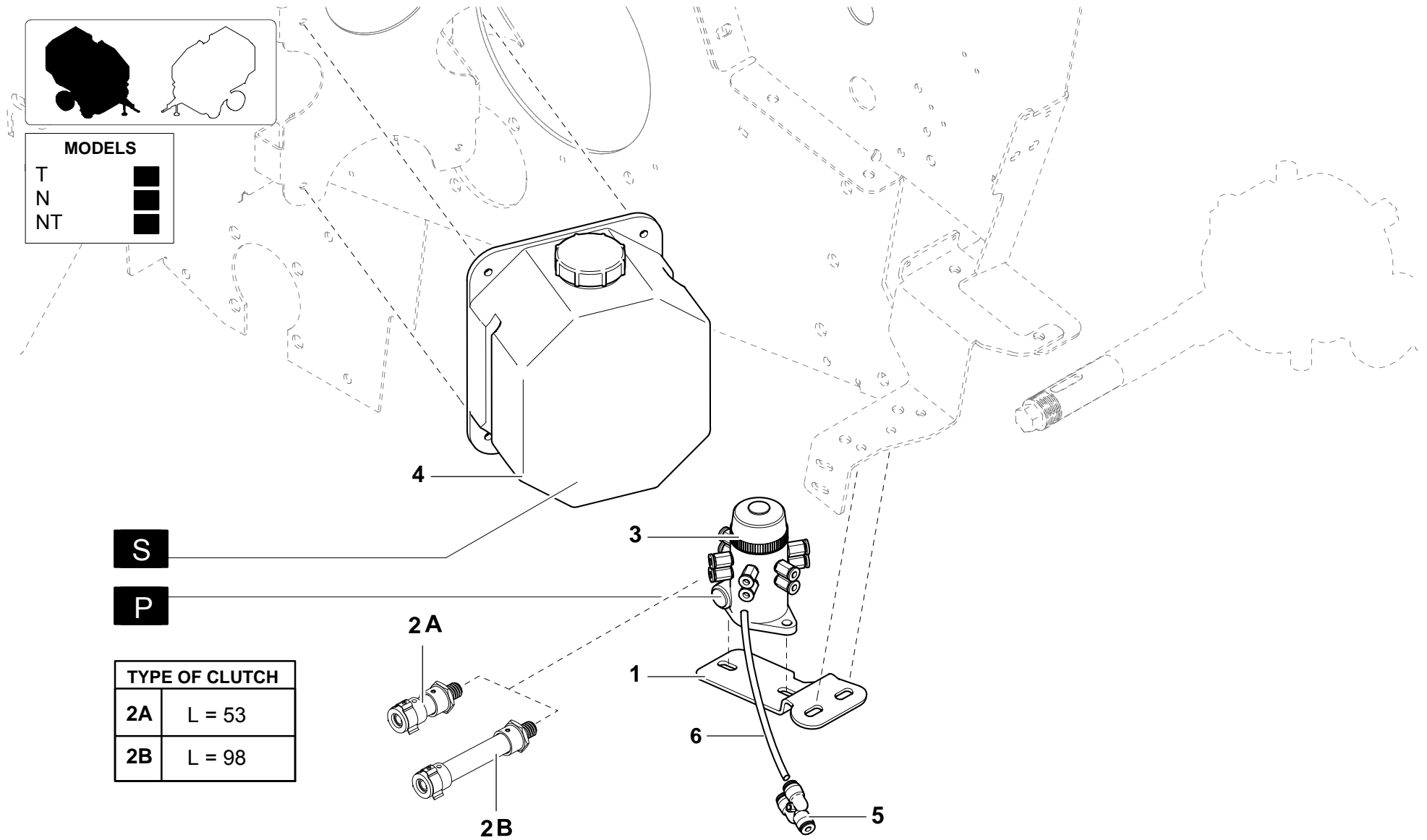
MODELS	
T	■
N	■
NT	■





MODELS

T	■
N	■
NT	■



S

P

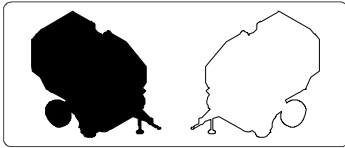
TYPE OF CLUTCH	
2A	L = 53
2B	L = 98

GF 800

00a

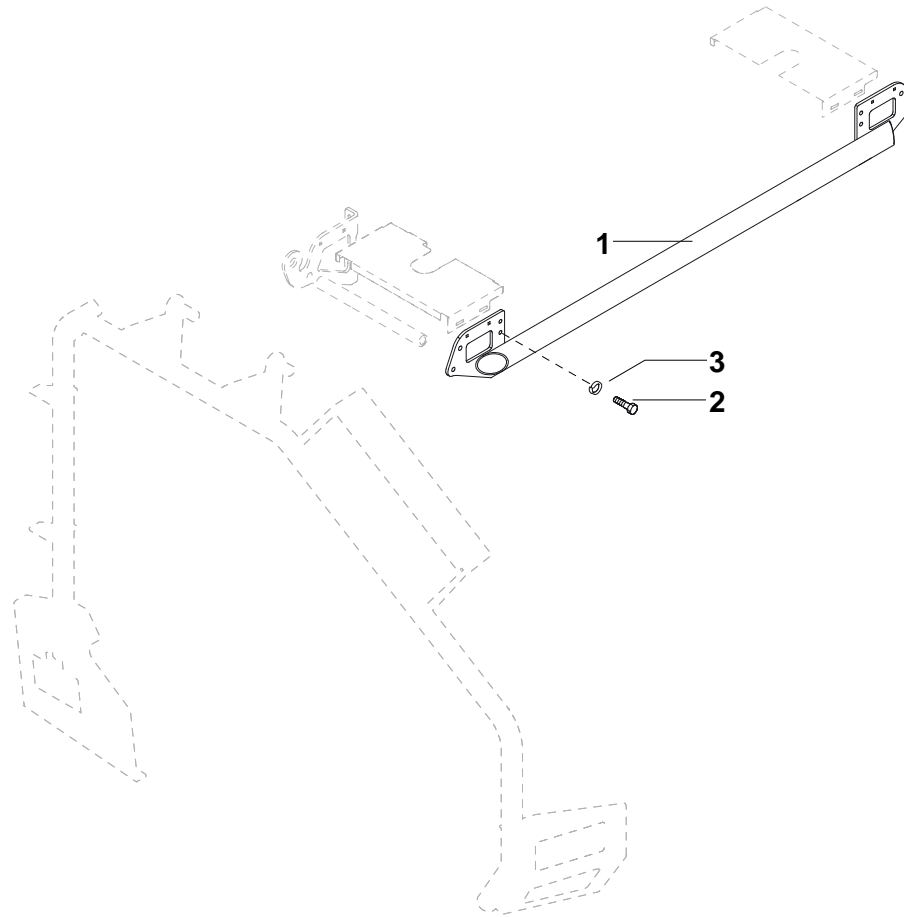
Tubo cerniere

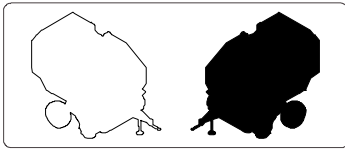
Hinge tube



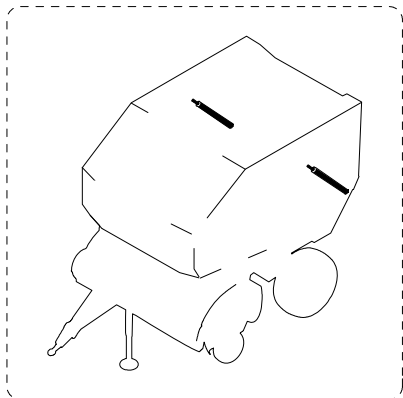
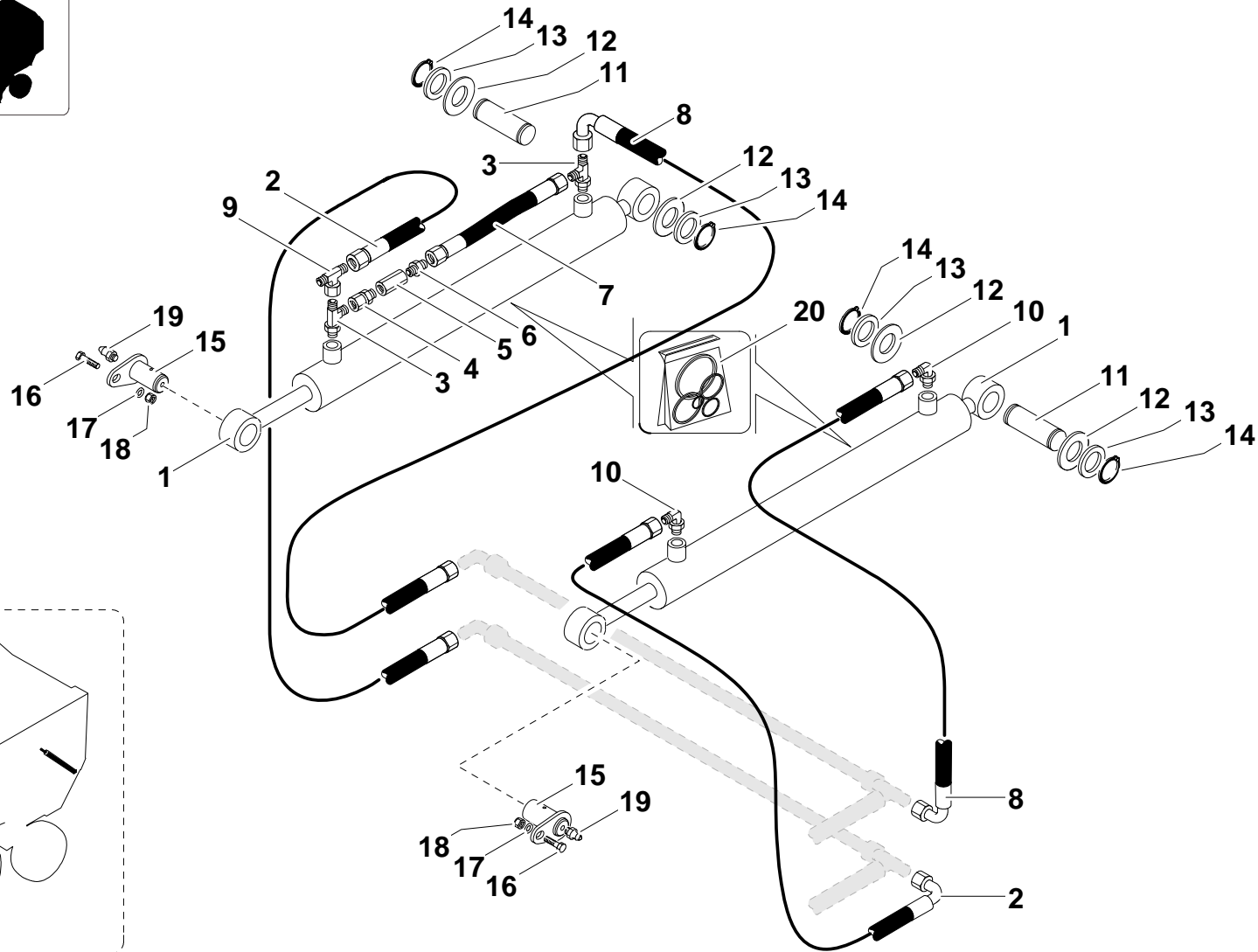
MODELS

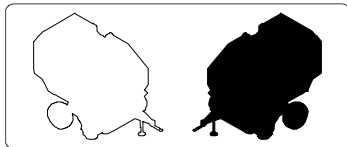
T	■
N	■
NT	■



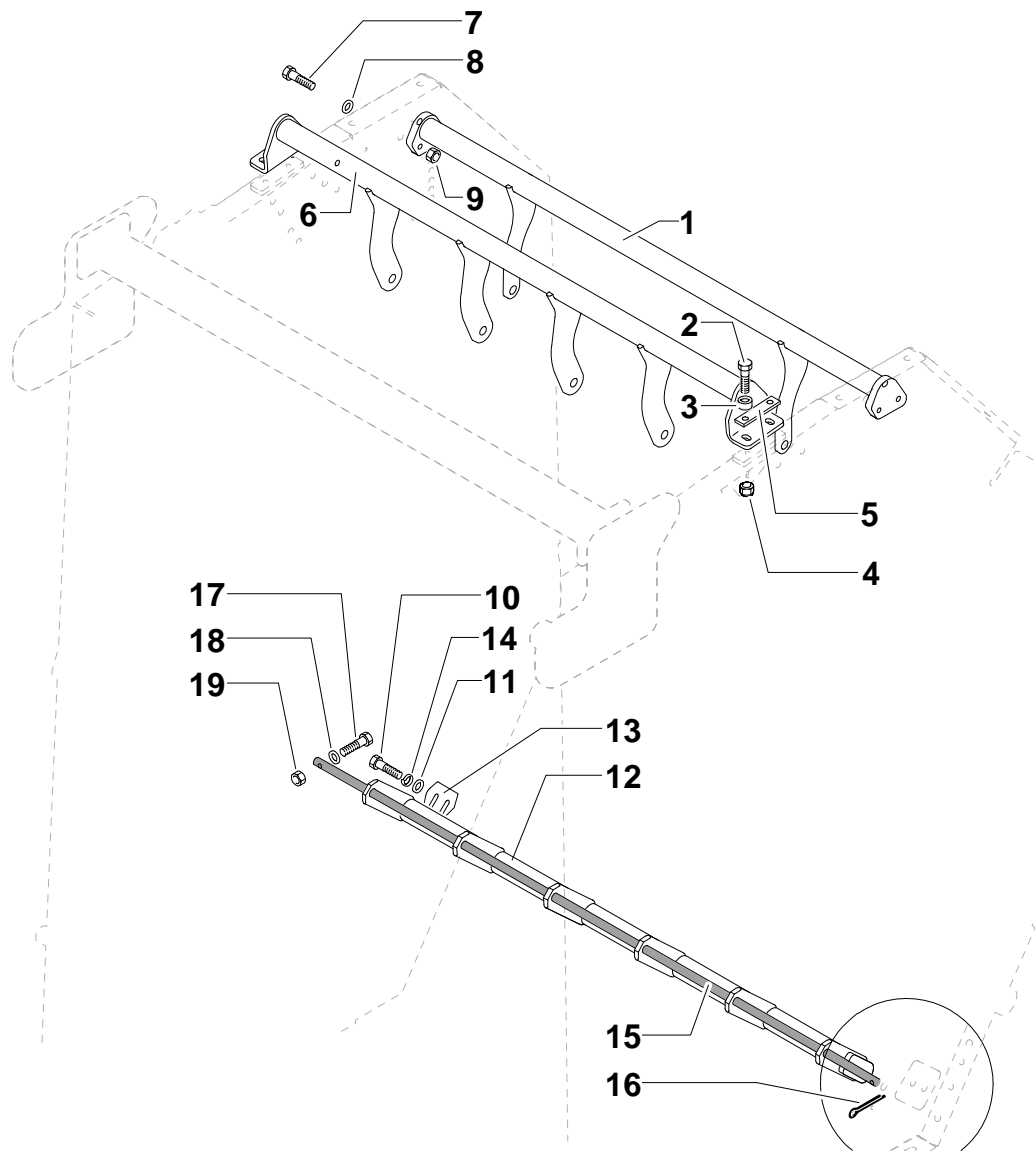


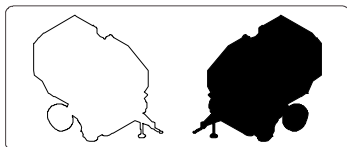
MODELS	
T	<input type="checkbox"/>
N	<input type="checkbox"/>
NT	<input type="checkbox"/>





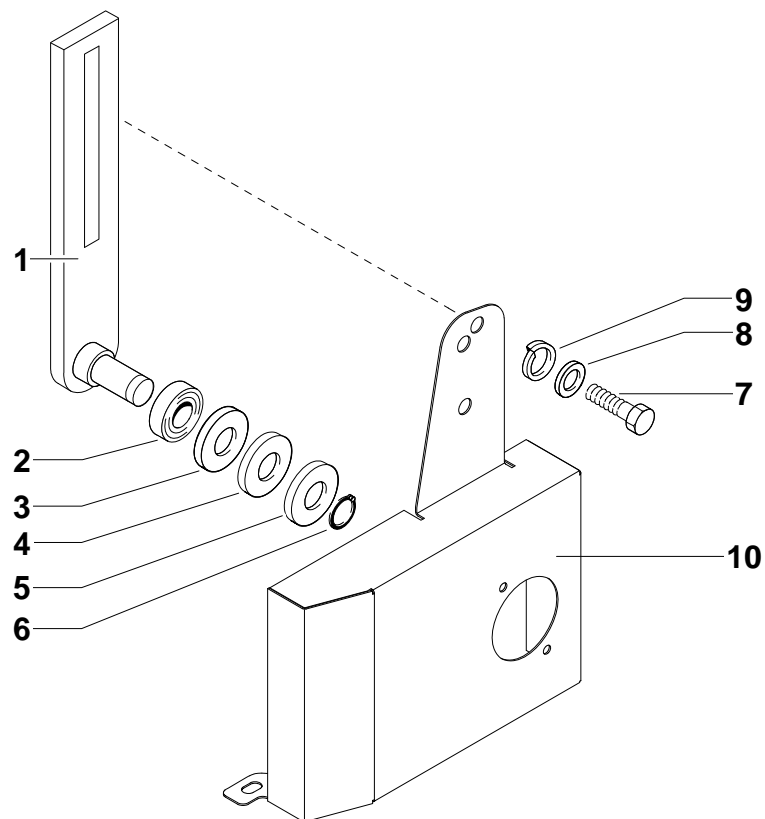
MODELS	
T	■
N	■
NT	■

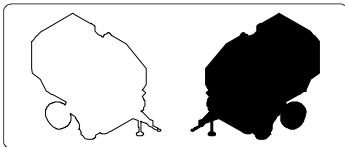




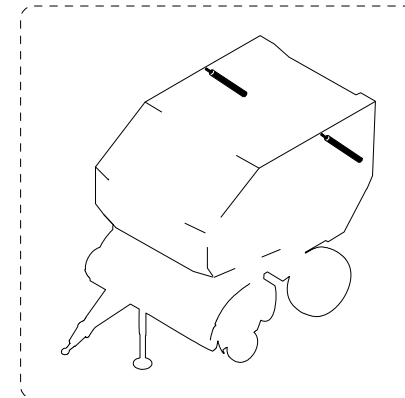
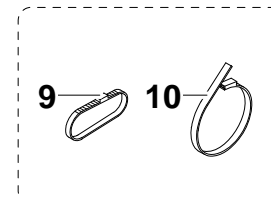
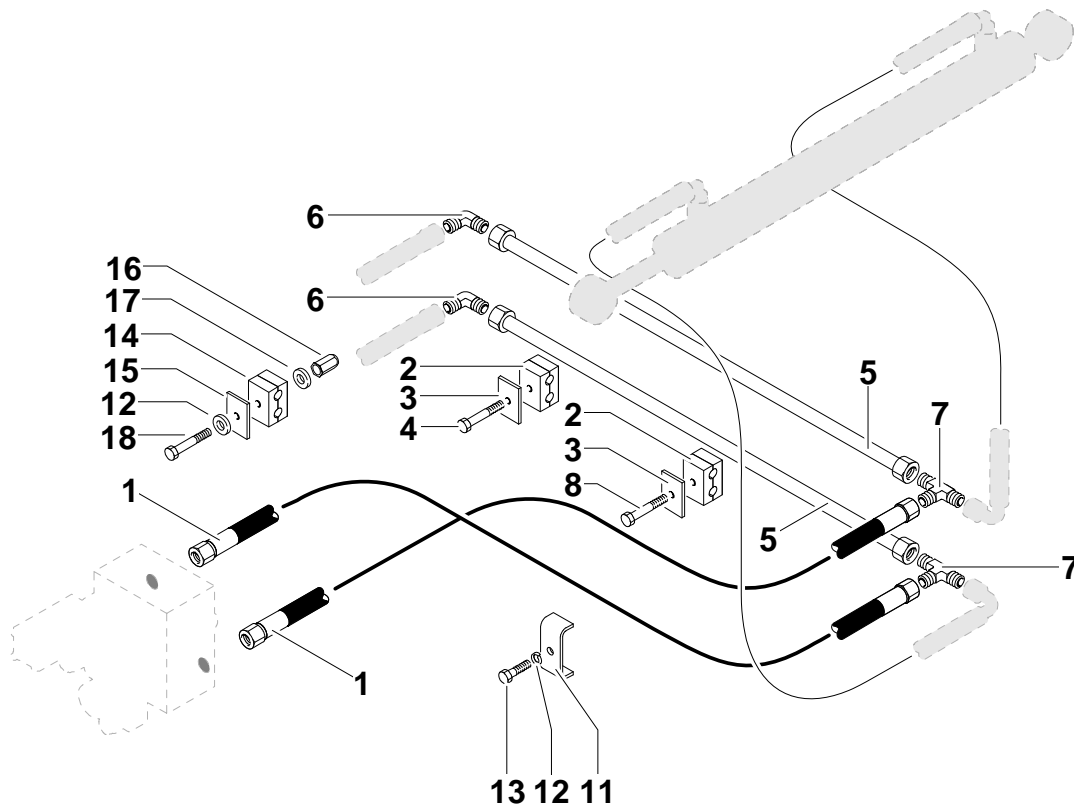
MODELS	
T	■
N	■
NT	■

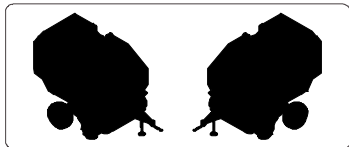
T2V





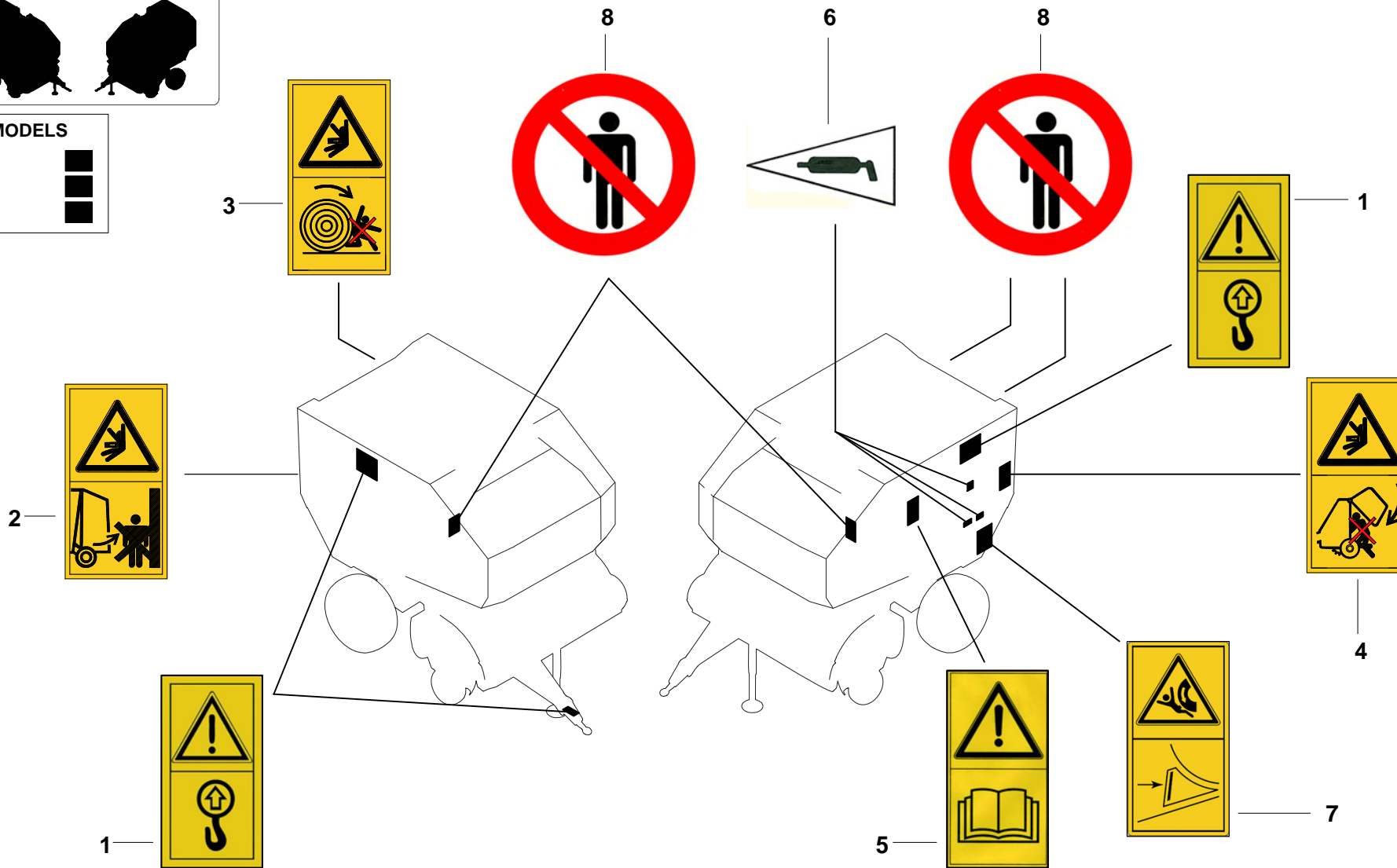
MODELS	
T	■
N	■
NT	■

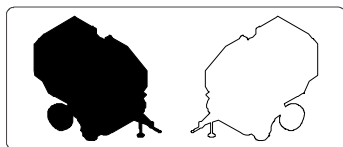




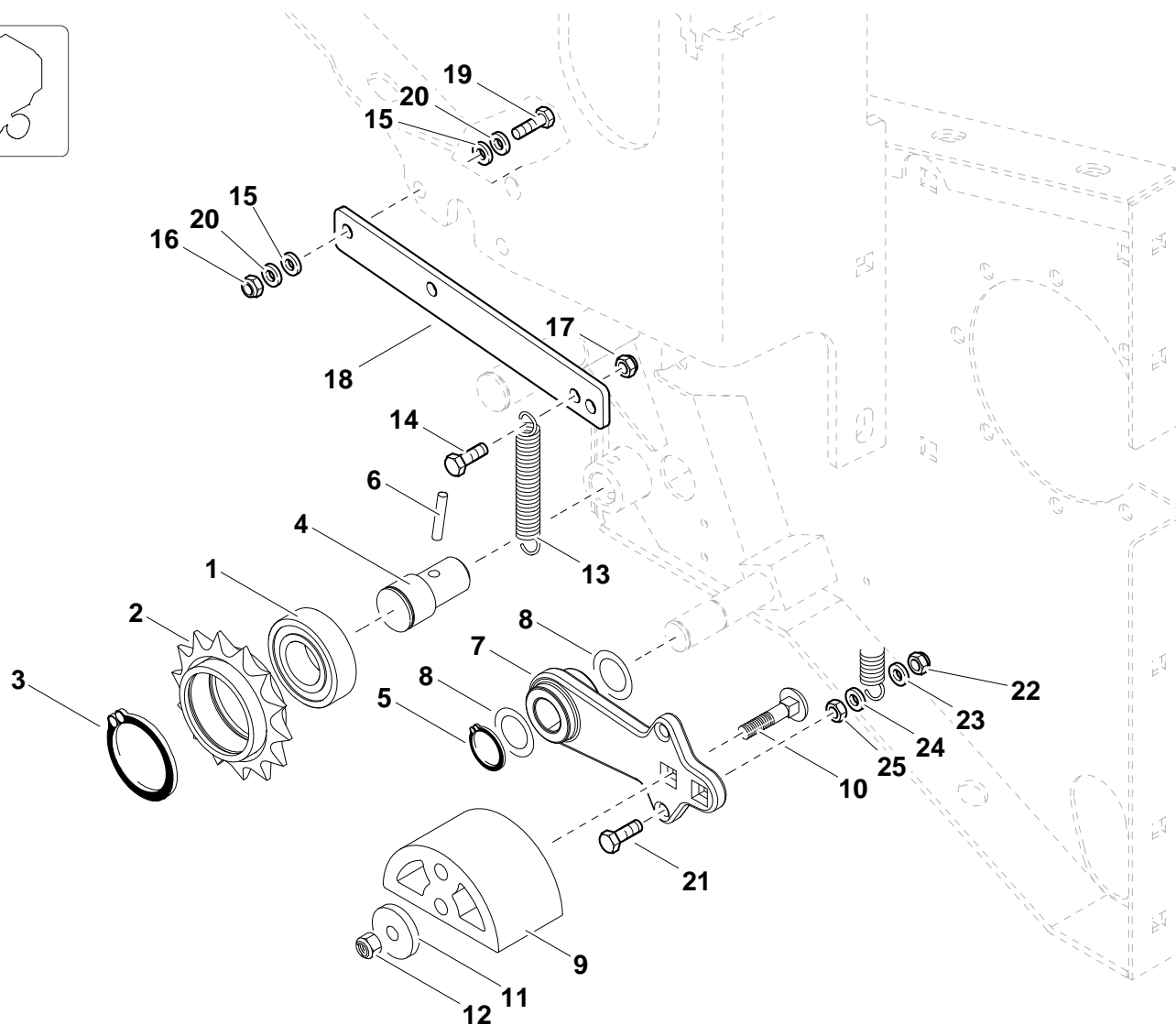
MODELS

T	█
N	█
NT	█

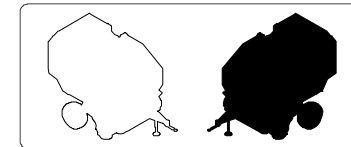




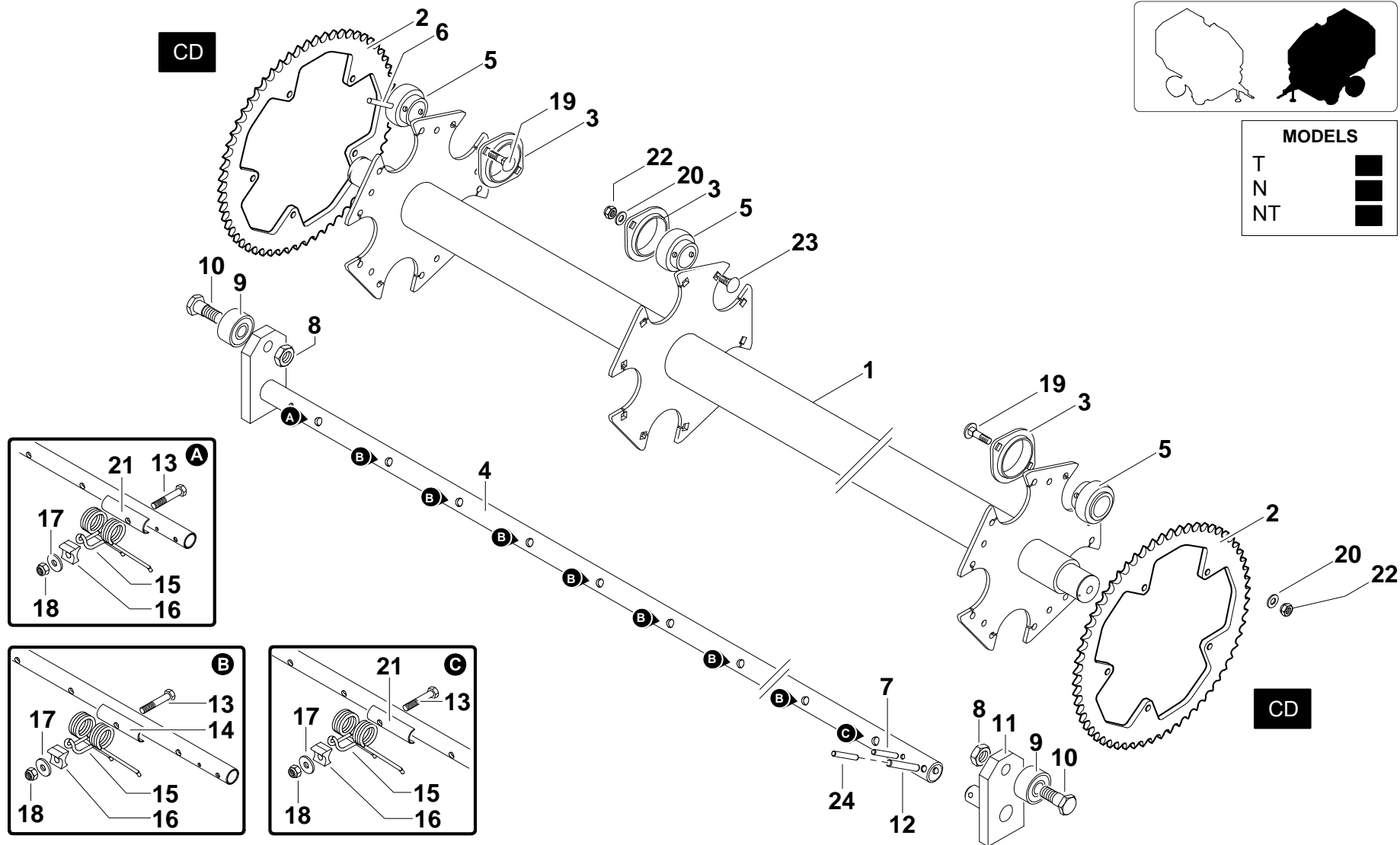
MODELS	
T	■
N	■
NT	■



CD



MODELS	
T	■
N	■
NT	■



CD

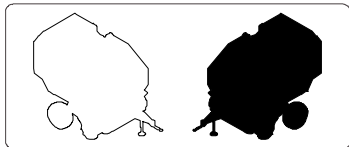
CLICK HERE TO **DOWNLOAD** THE COMPLETE MANUAL

- Thank you very much for reading the preview of the manual.
- You can download the complete manual from: www.heydownloads.com by clicking the link below



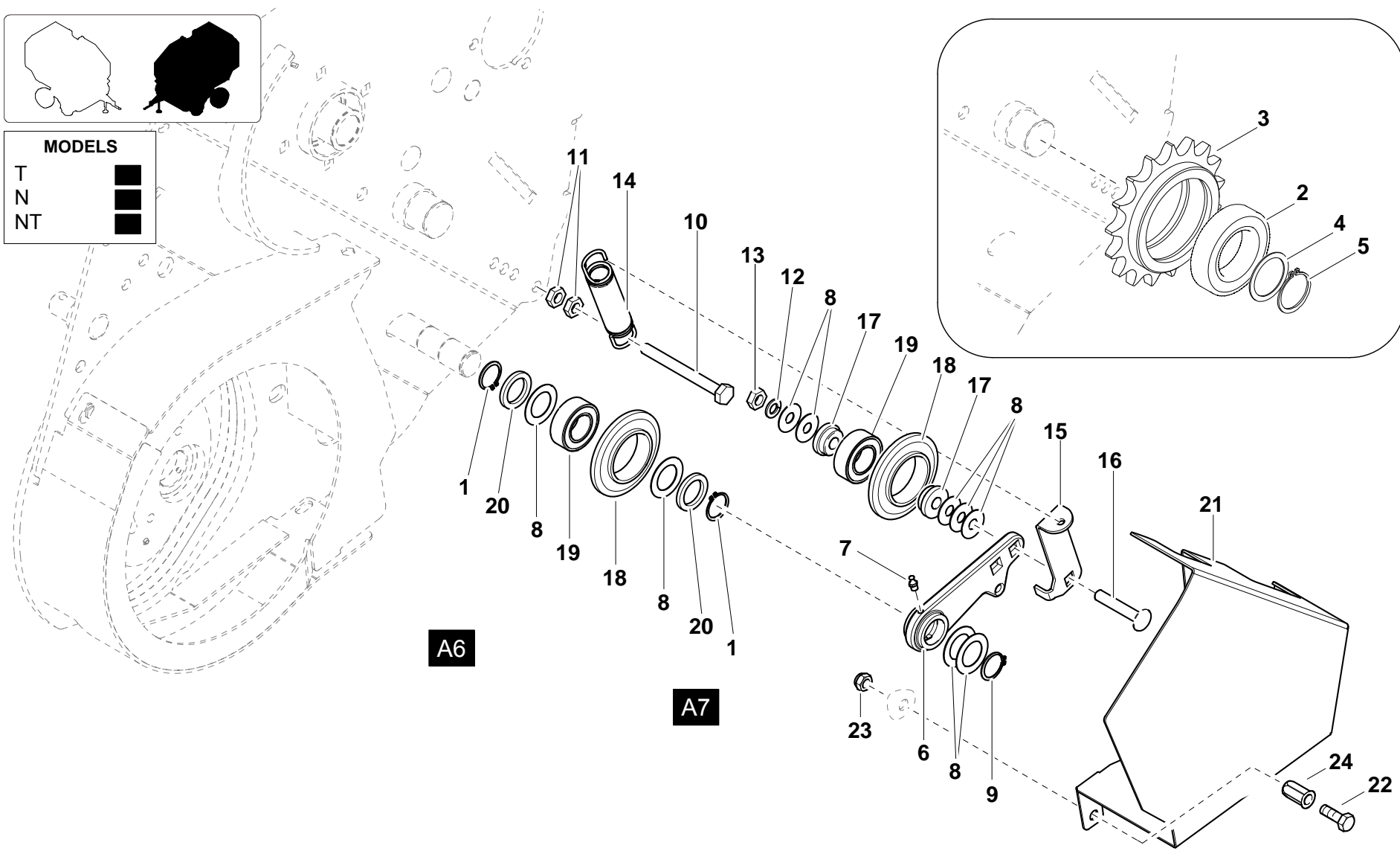
- Please note: If there is no response to CLICKING the link, please download this PDF first and then click on it.

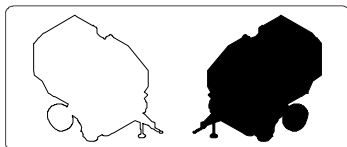
CLICK HERE TO **DOWNLOAD** THE COMPLETE MANUAL



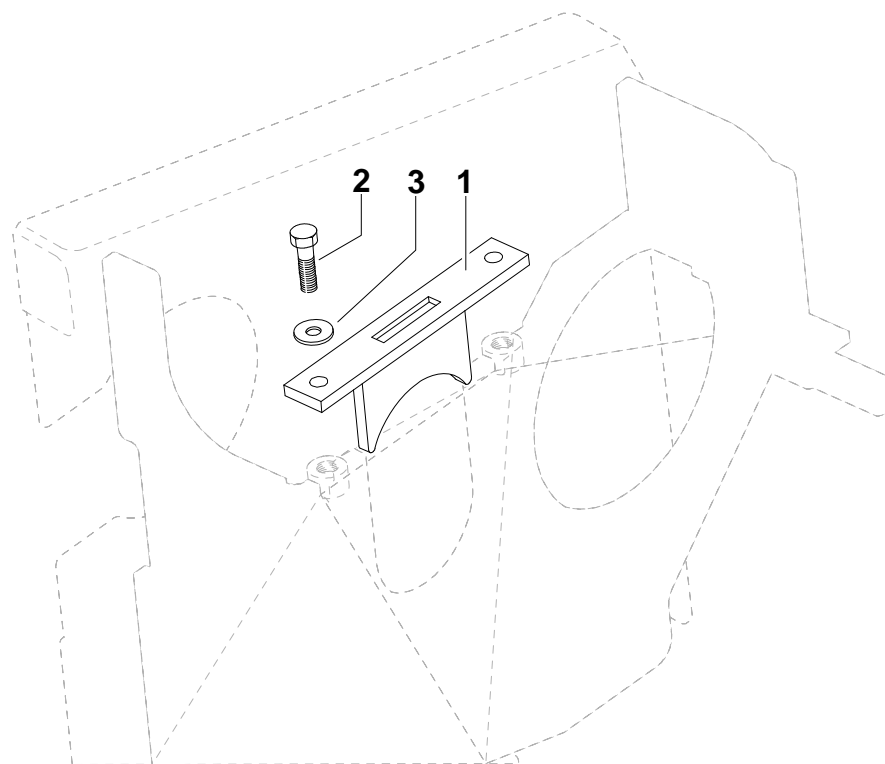
MODELS

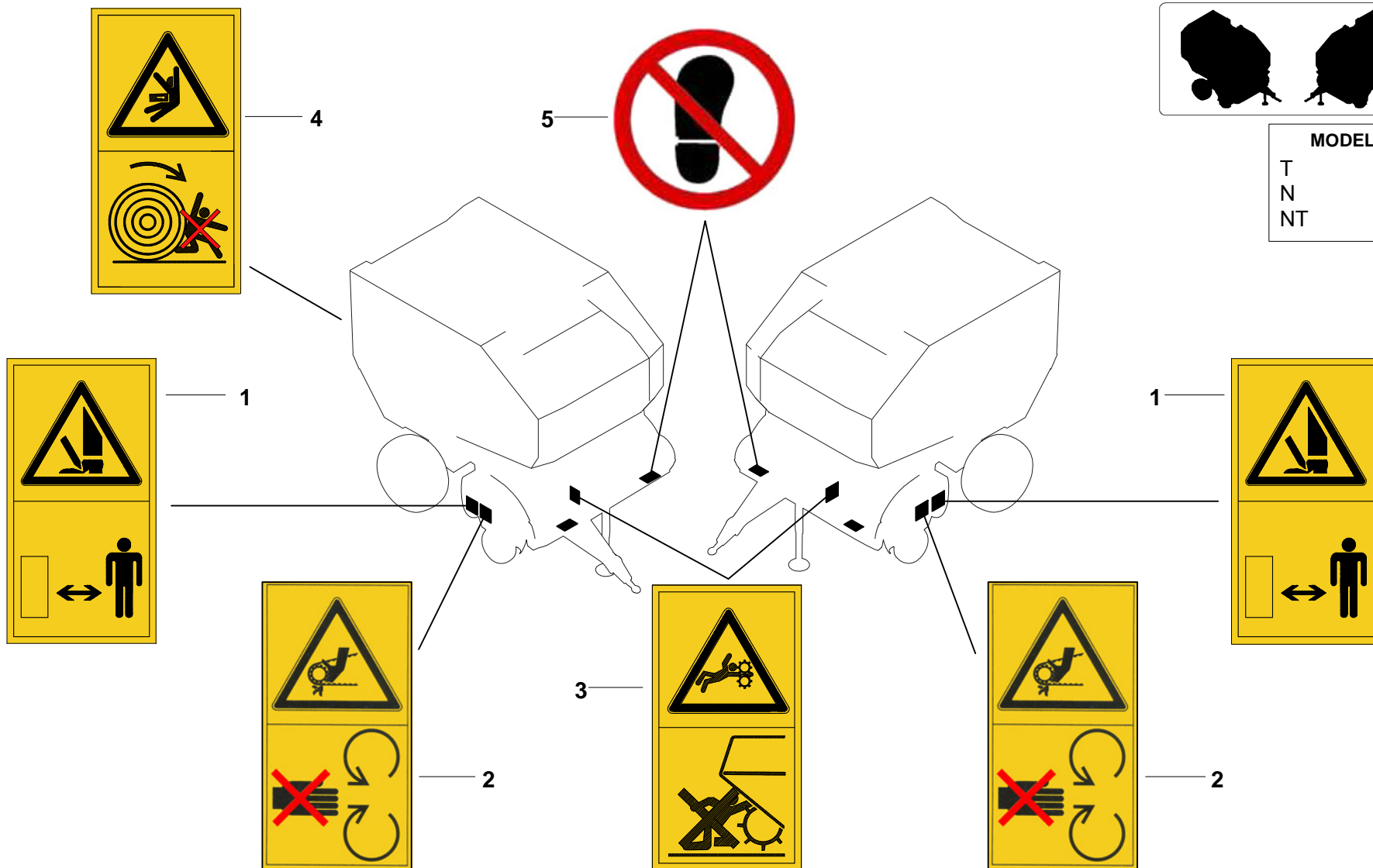
T	■
N	■
NT	■

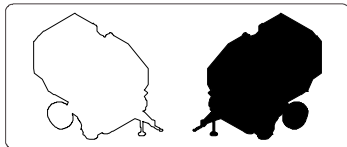




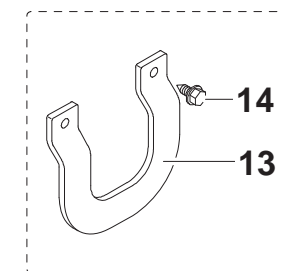
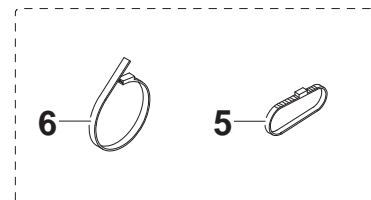
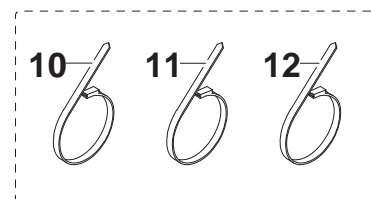
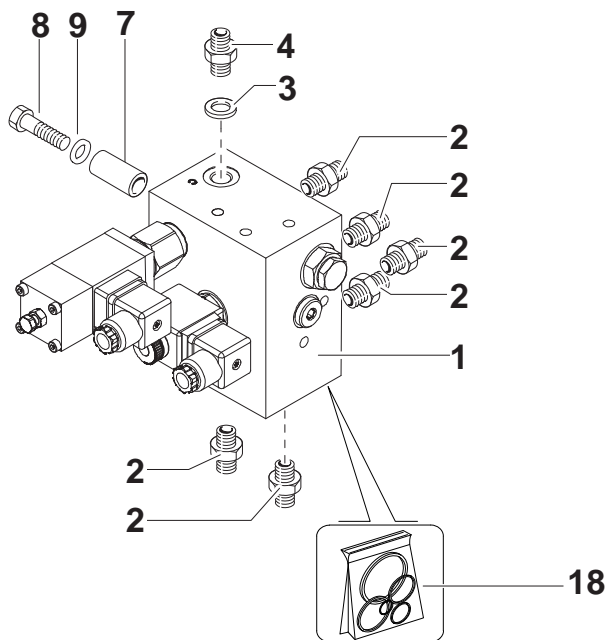
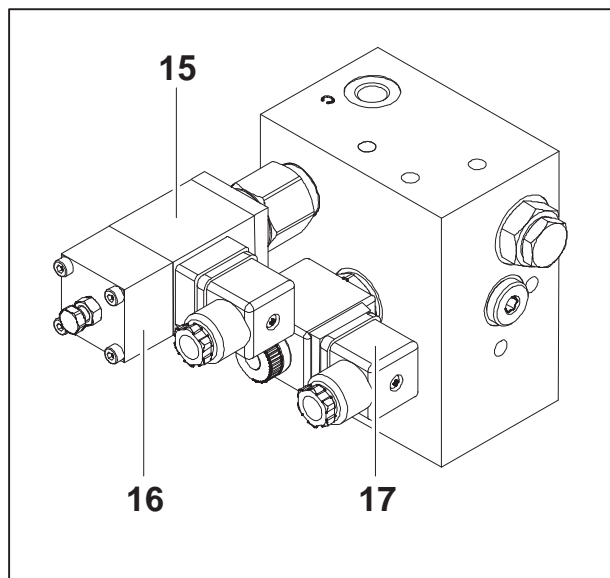
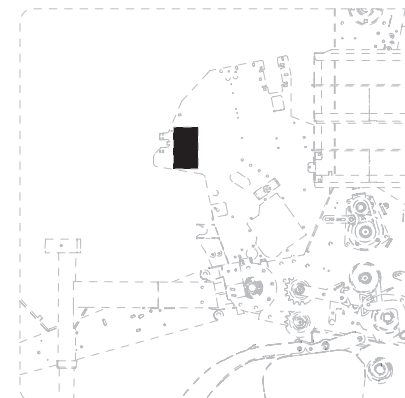
MODELS	
T	■
N	■
NT	■

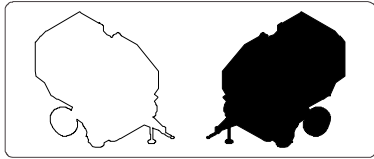




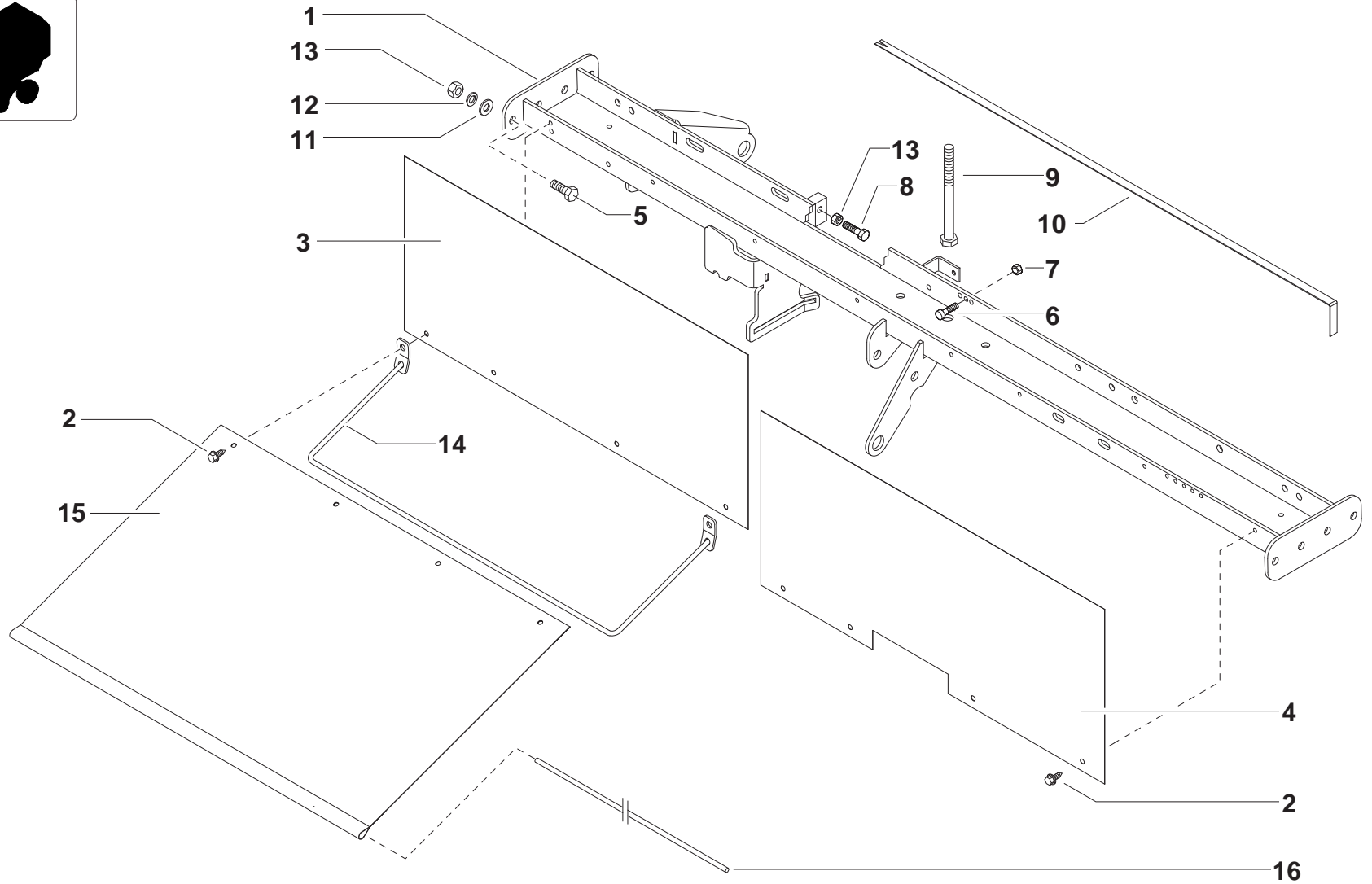


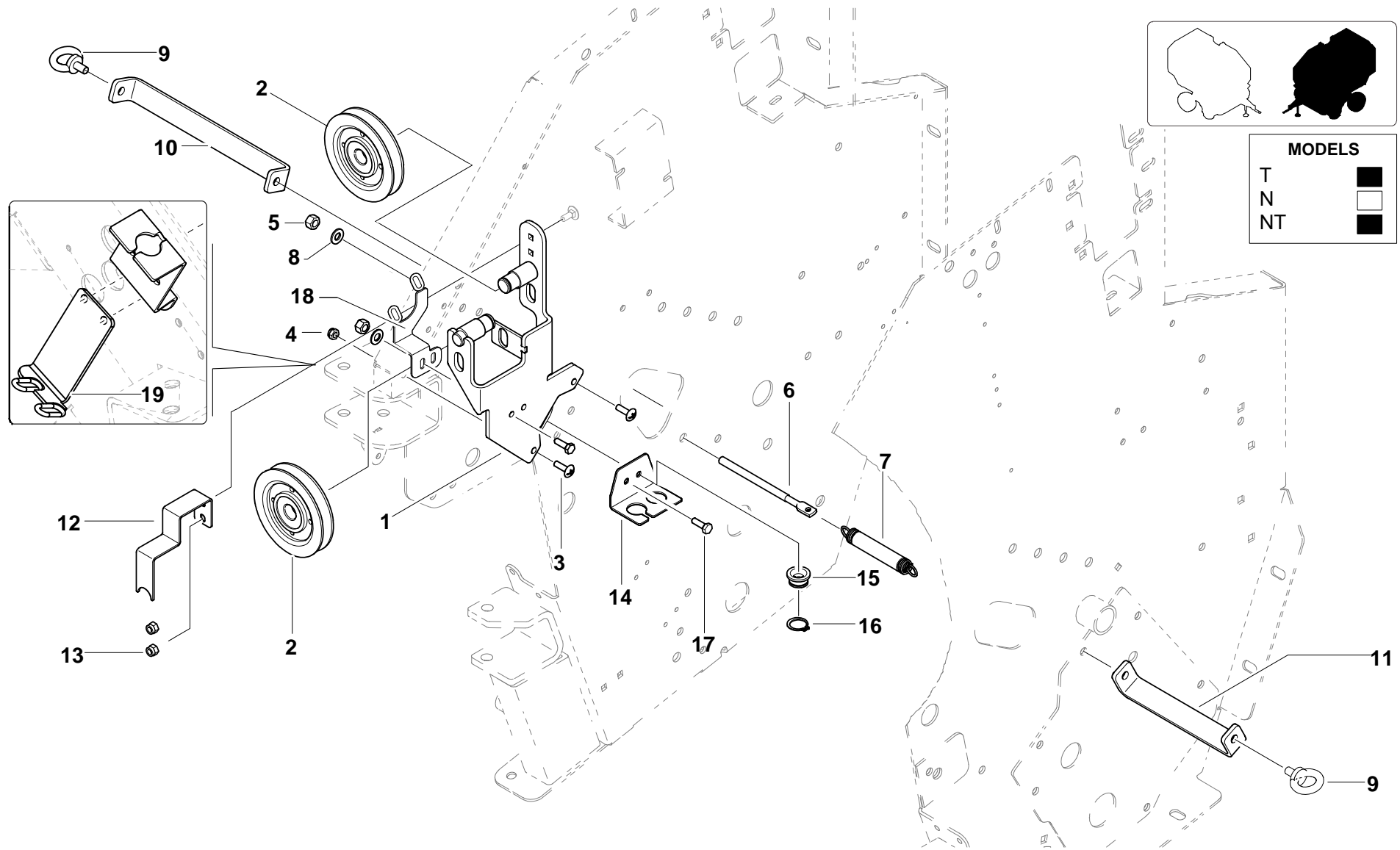
MODELS	
T	■
N	■
NT	■

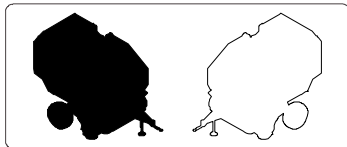




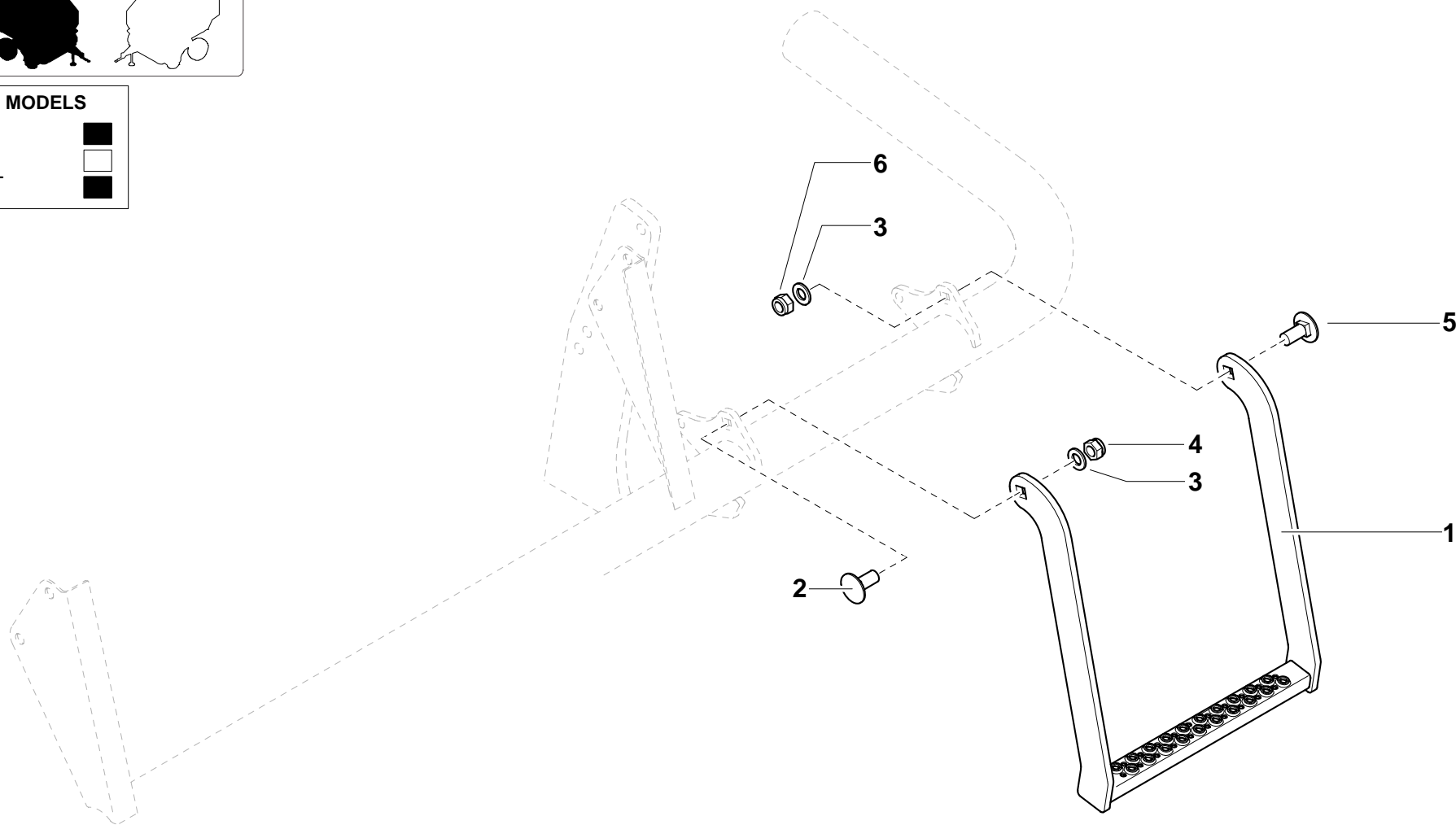
MODELS	
T	■
N	□
NT	■



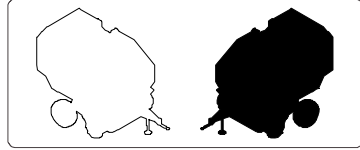




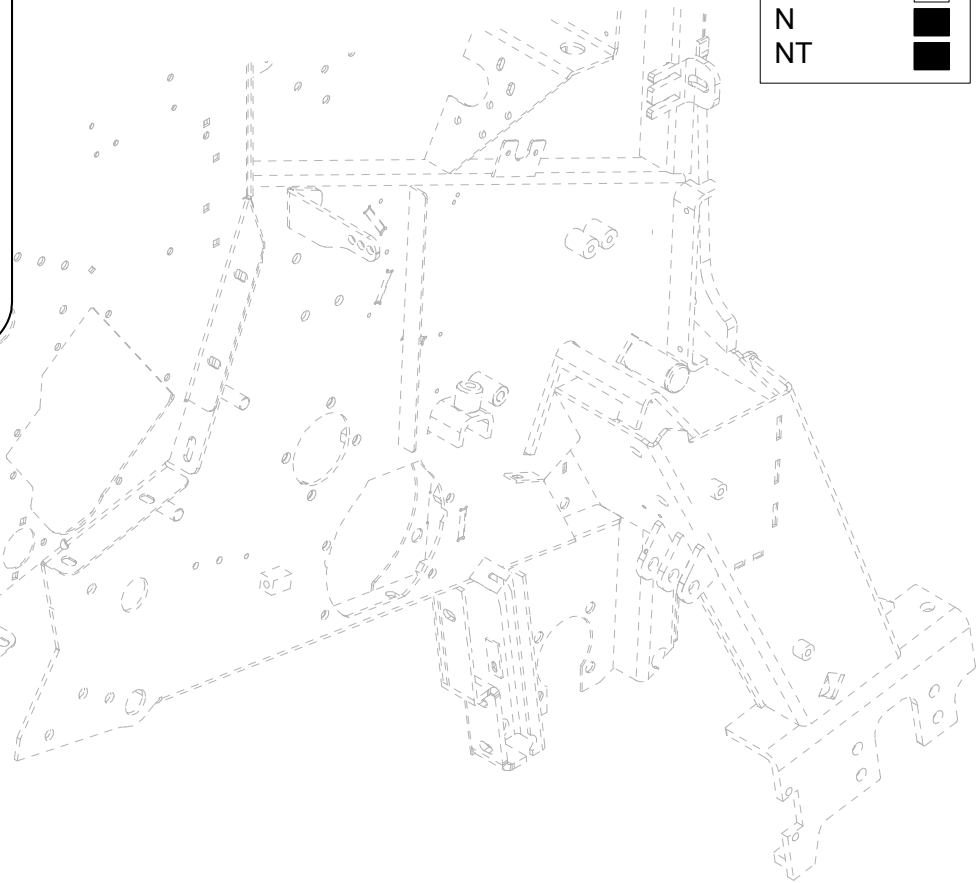
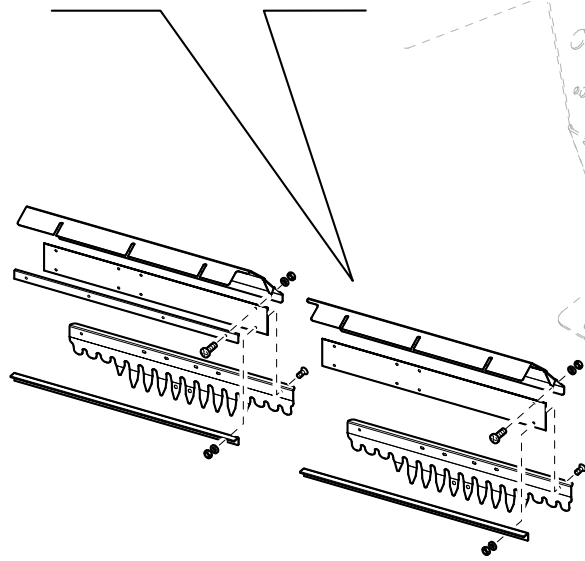
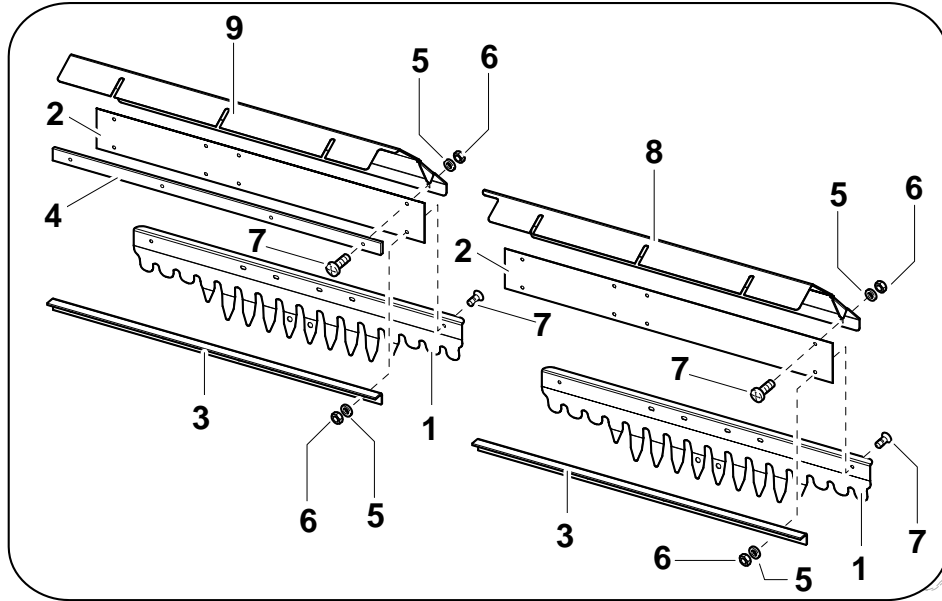
MODELS	
T	■
N	□
NT	■

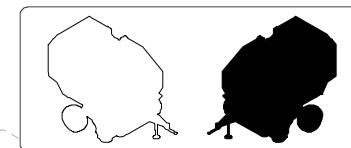
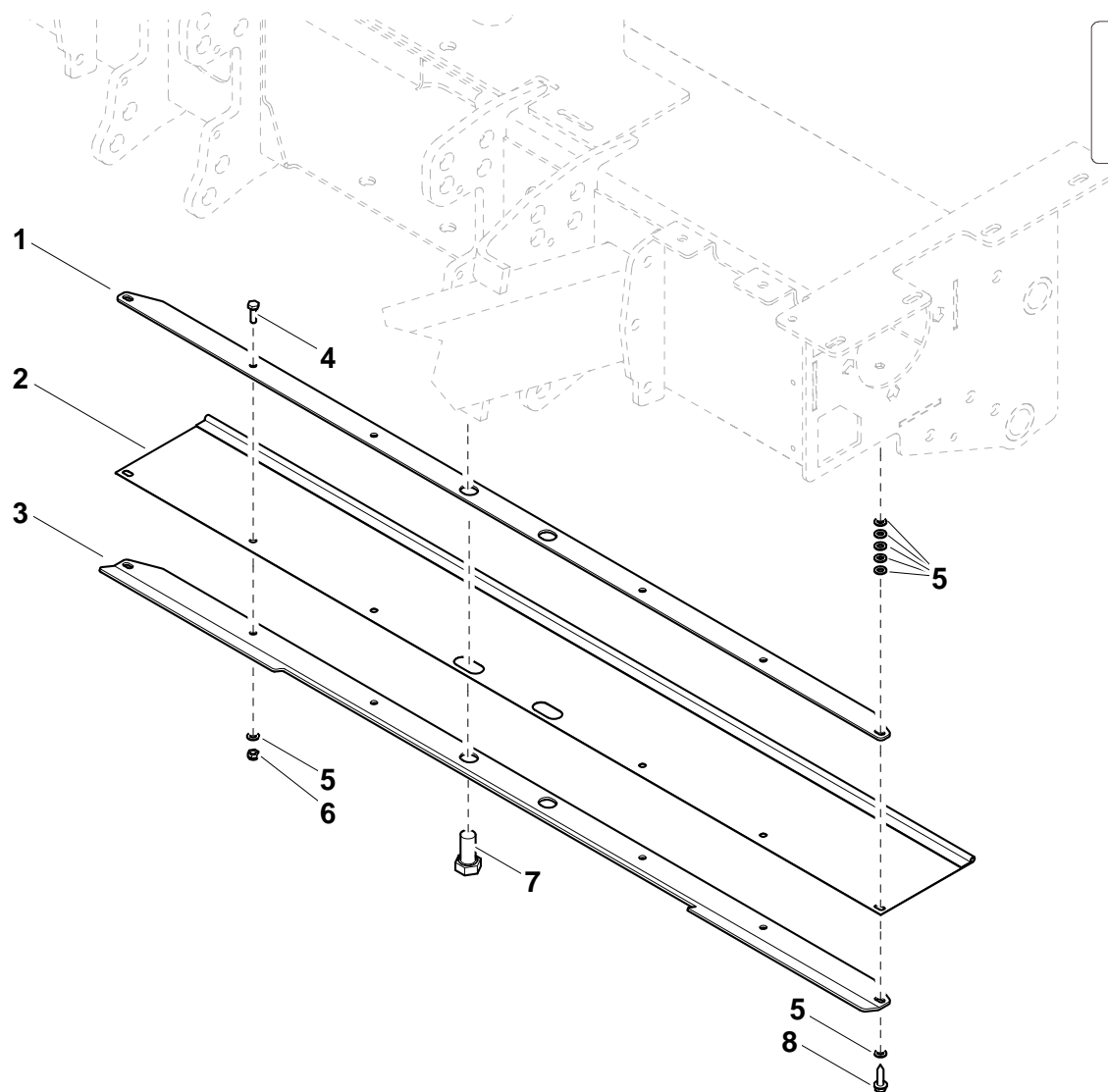


NET KNIFE EXTENSION KIT

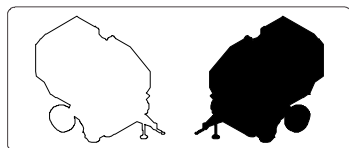


MODELS	
T	<input type="checkbox"/>
N	<input checked="" type="checkbox"/>
NT	<input checked="" type="checkbox"/>

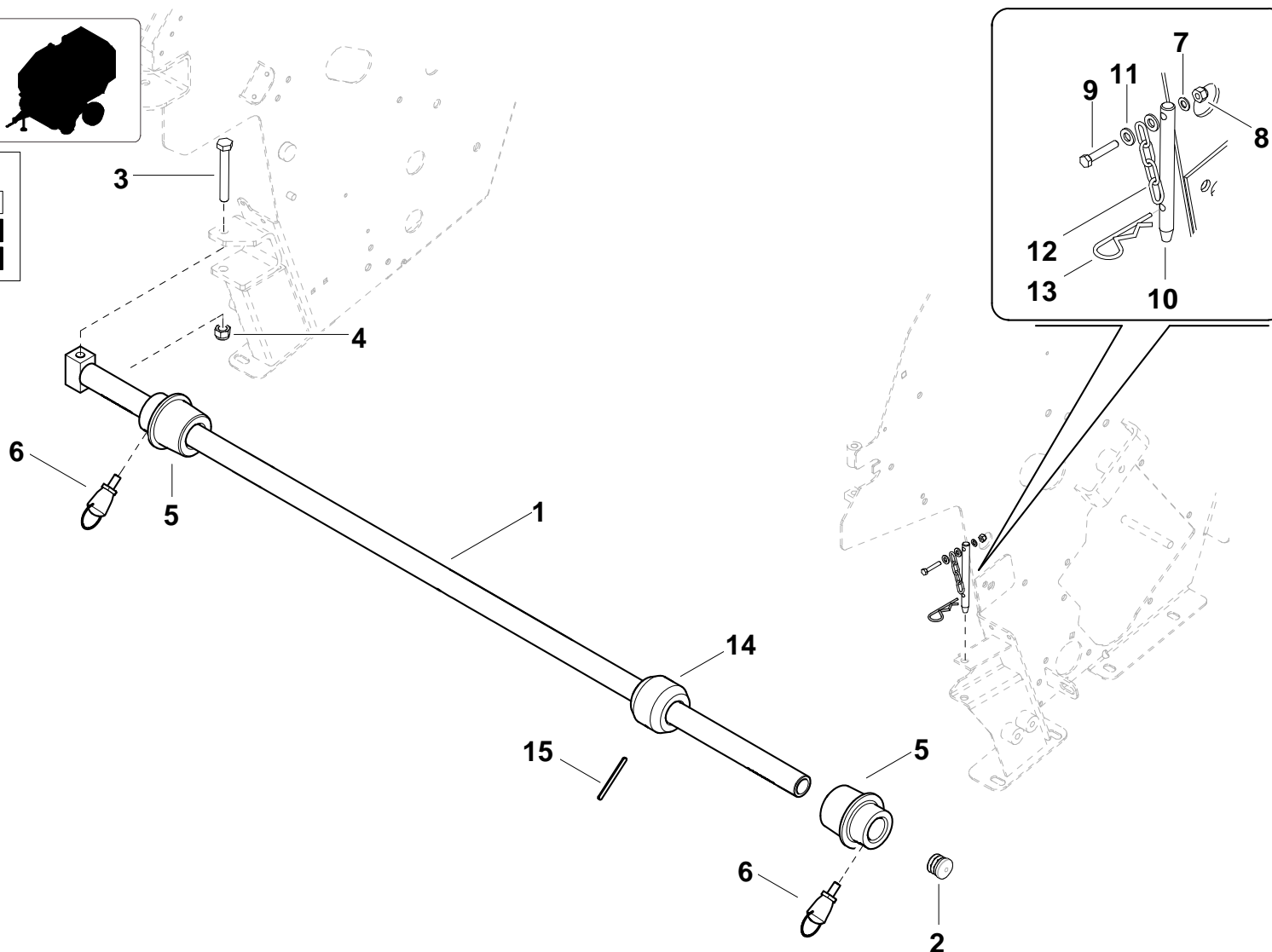


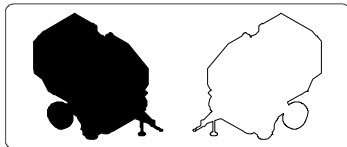


MODELS	
T	<input type="checkbox"/>
N	<input checked="" type="checkbox"/>
NT	<input checked="" type="checkbox"/>

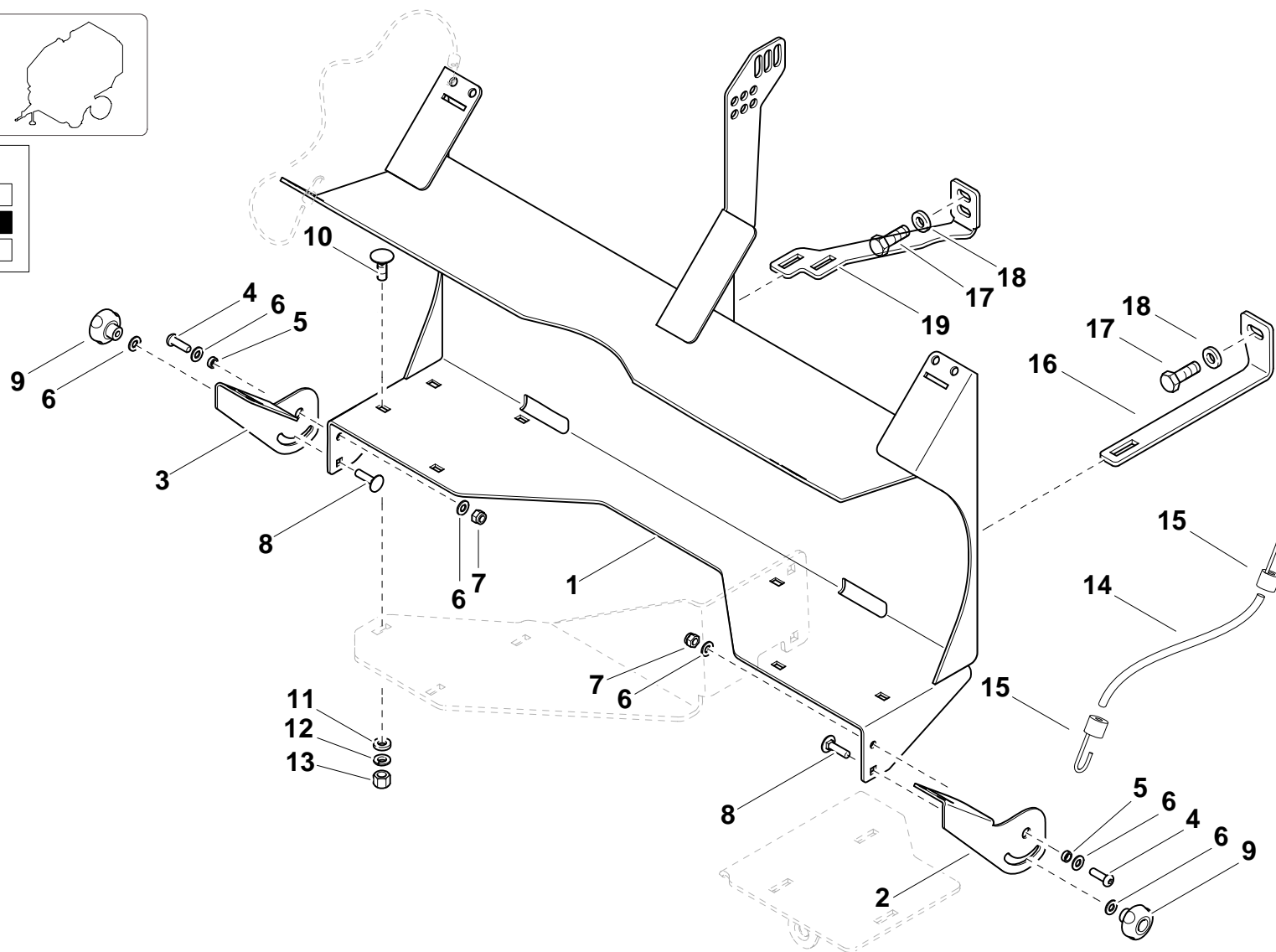


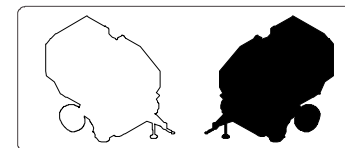
MODELS	
T	<input type="checkbox"/>
N	<input type="checkbox"/>
NT	<input type="checkbox"/>



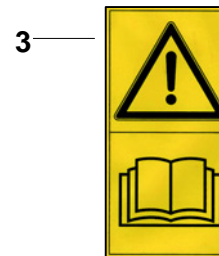
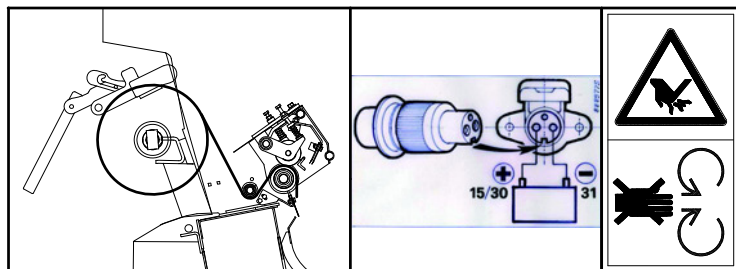


MODELS	
T	<input type="checkbox"/>
N	<input checked="" type="checkbox"/>
NT	<input type="checkbox"/>

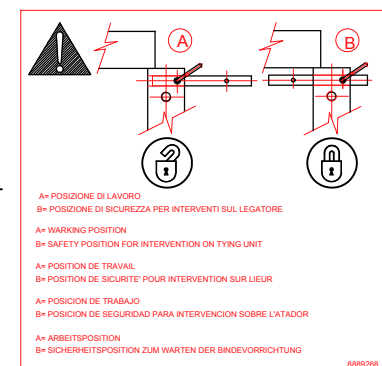




MODELS	
T	
N	
NT	



5



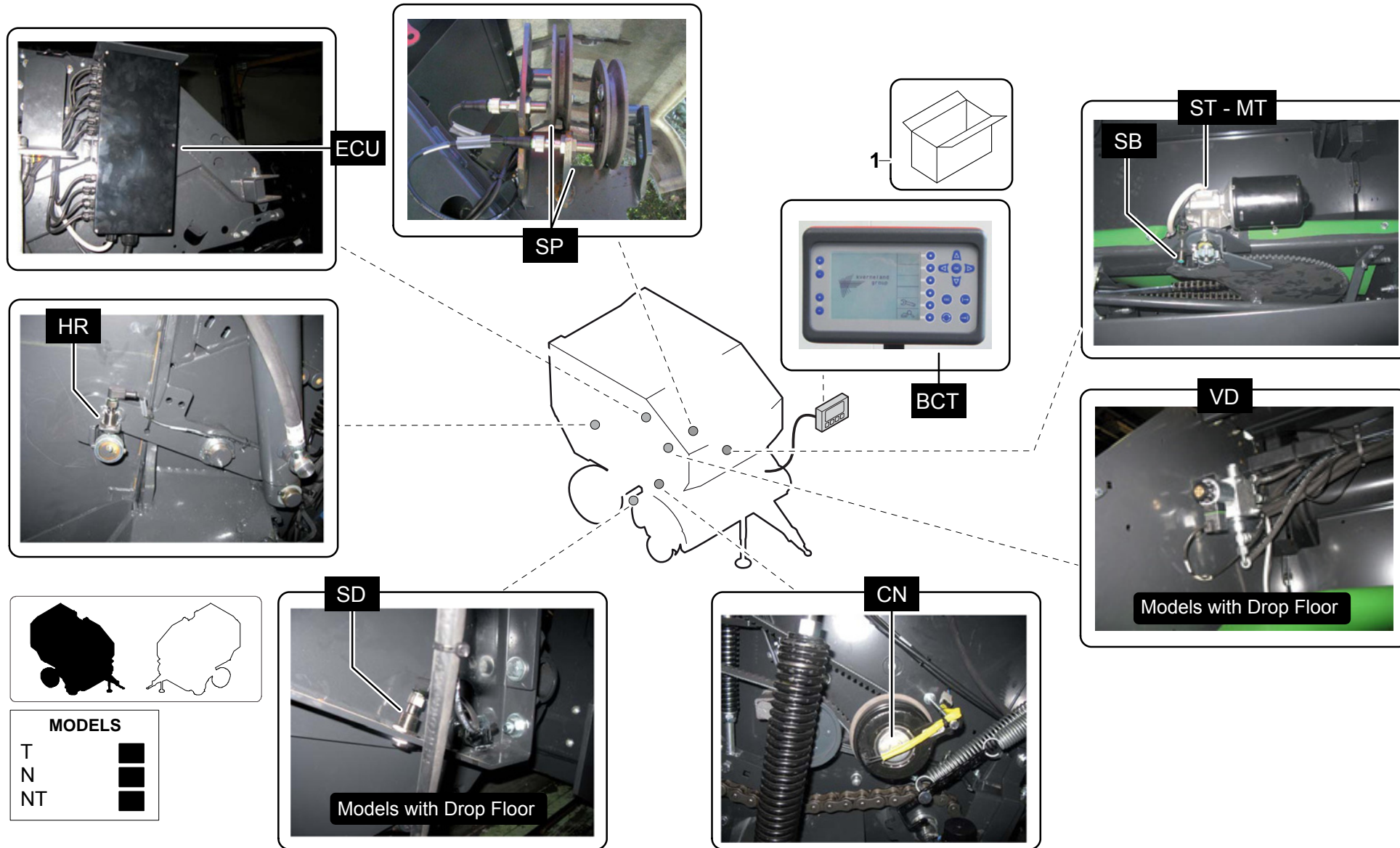
1

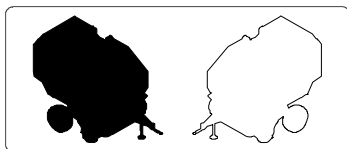


4

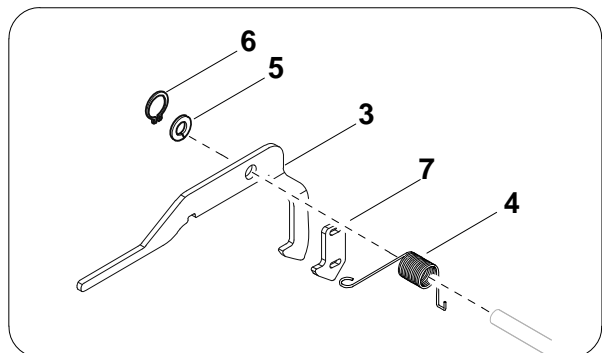
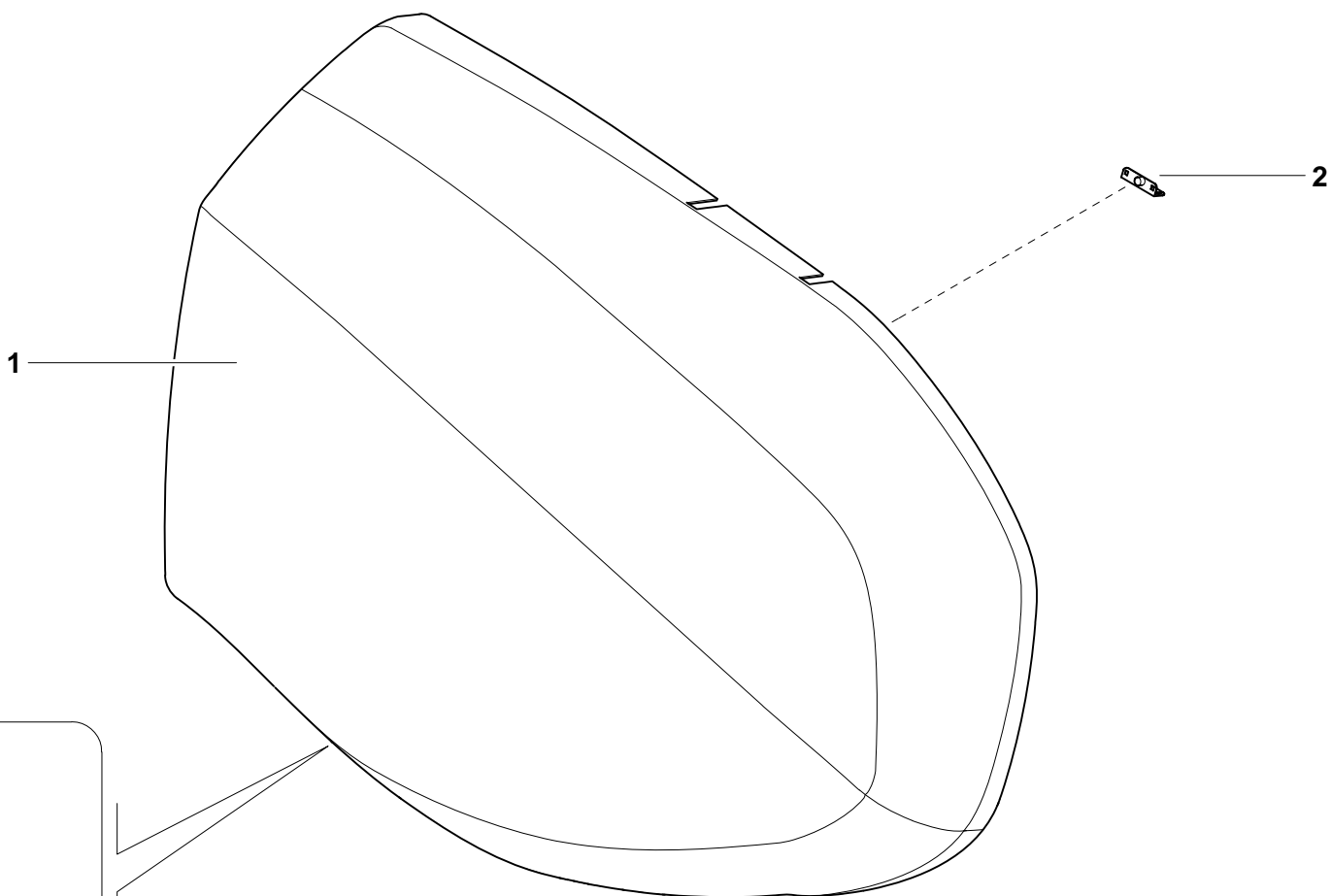


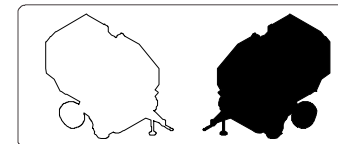
2





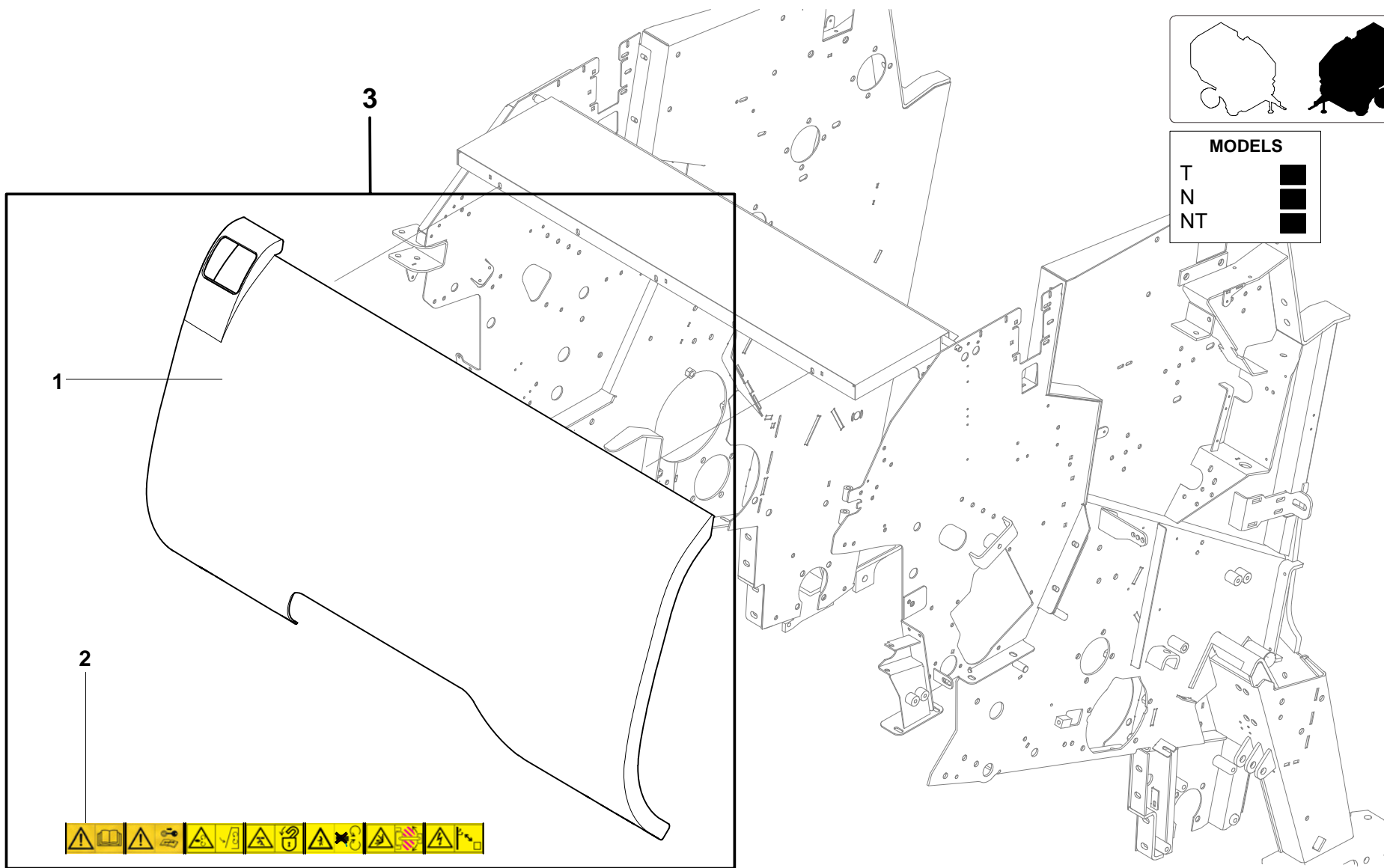
MODELS	
T	■
N	■
NT	■





MODELS

T	■
N	■
NT	■

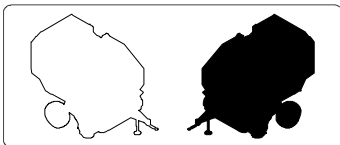


GD 680

00a

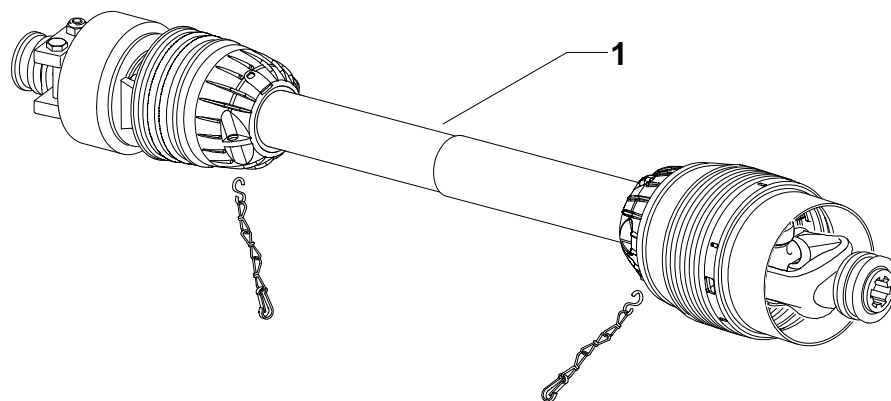
Albero cardanico

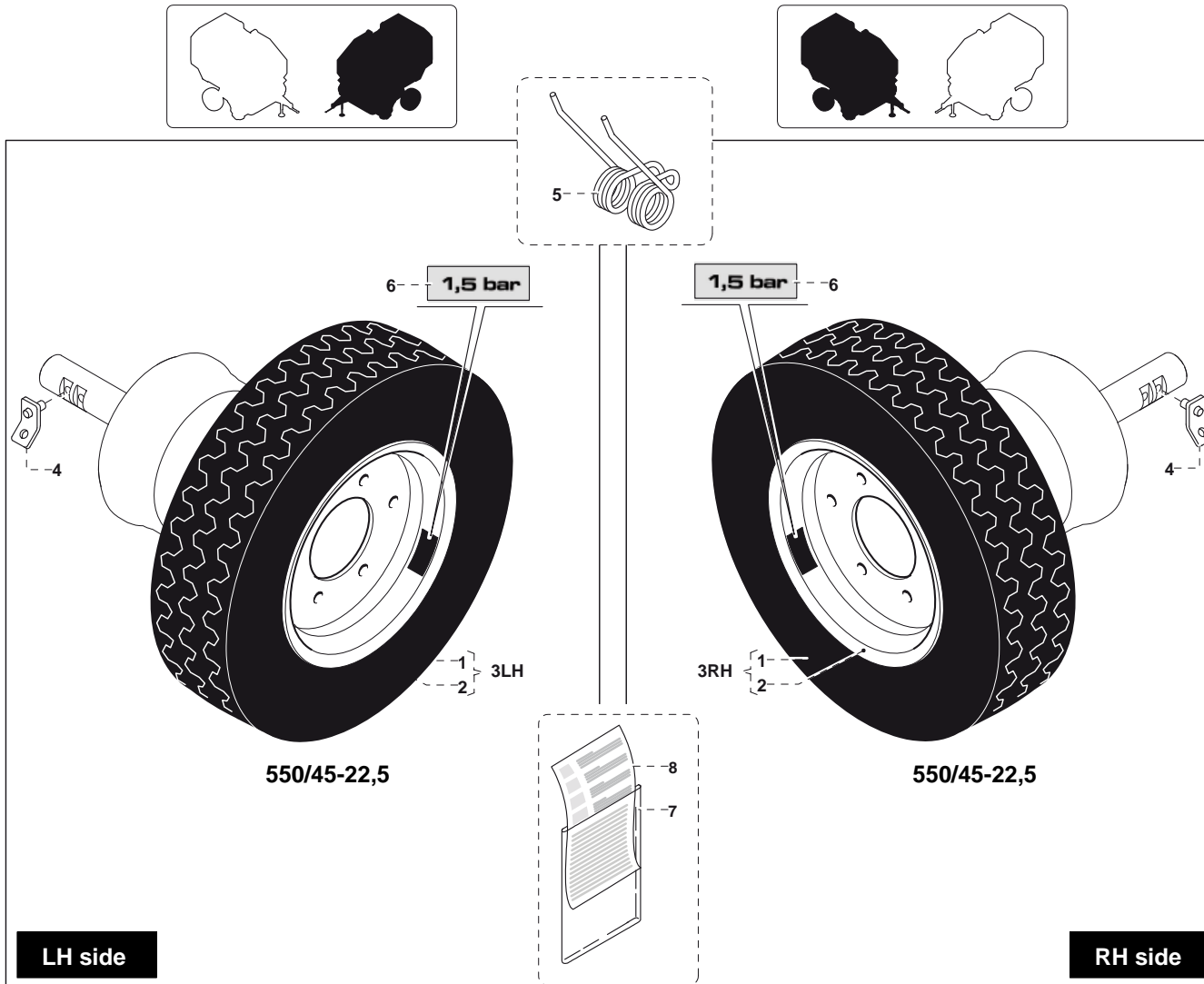
PTO Drive Shaft



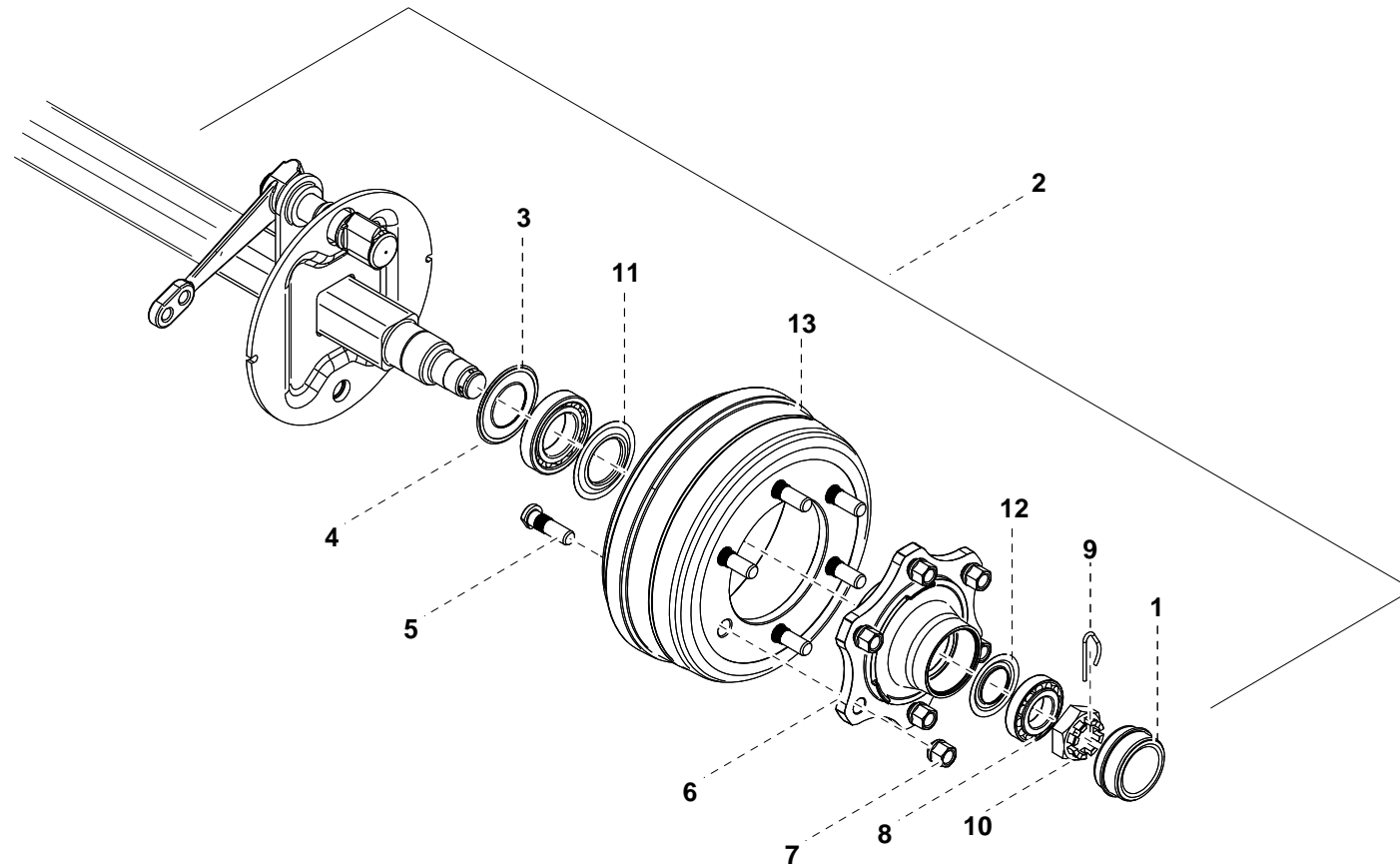
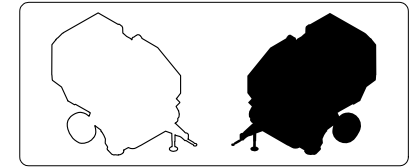
MODELS

T
N
NT

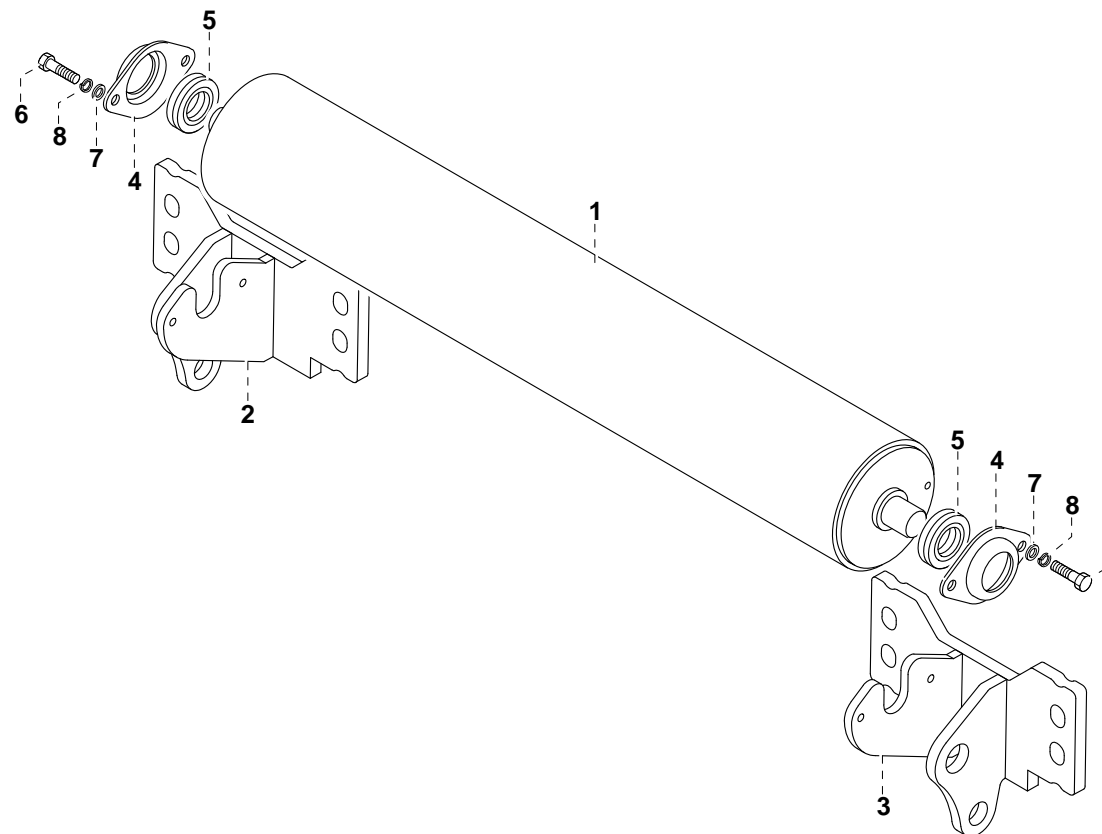
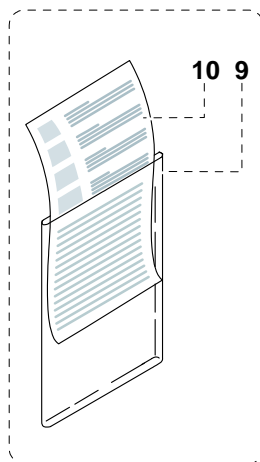
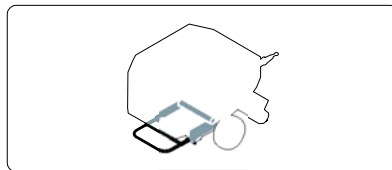


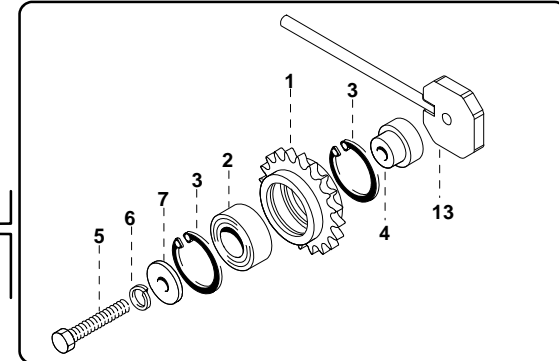
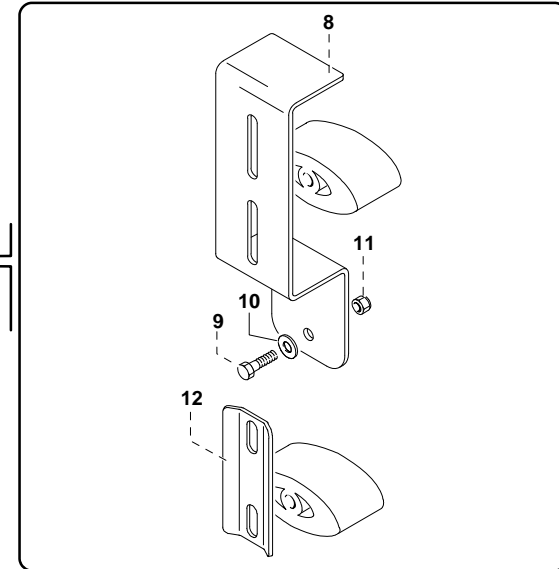
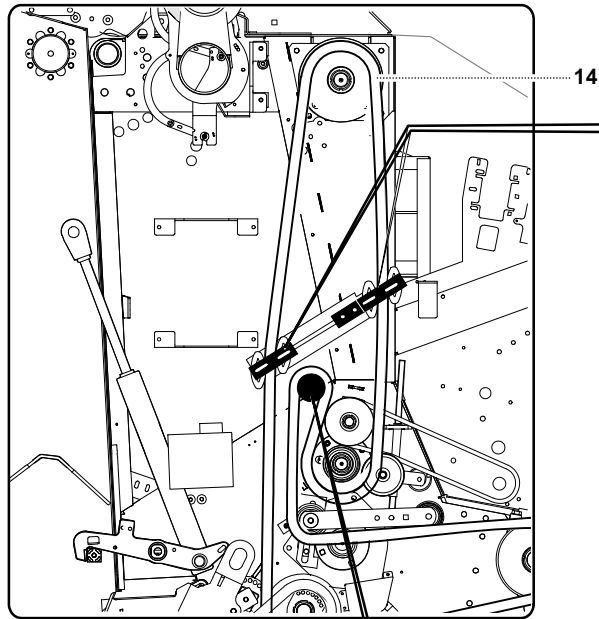
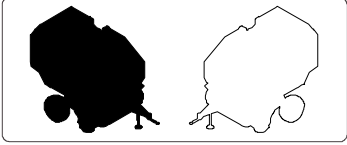


3946813



3946870





3946935

CLICK HERE TO **DOWNLOAD** THE COMPLETE MANUAL

- Thank you very much for reading the preview of the manual.
- You can download the complete manual from: www.heydownloads.com by clicking the link below



- Please note: If there is no response to CLICKING the link, please download this PDF first and then click on it.

CLICK HERE TO **DOWNLOAD** THE COMPLETE MANUAL