

GF225 R SII
(T-N-NT)

CATALOGO PARTI DI RICAMBIO

SPARE PARTS LIST
ERSATZTEILKATALOG
PIECES DE RECHANGE
CATÁLOGO REPUESTOS

Code	GF225 R SII_SPL	Edition	01-2015
I ▶	SN KB166670	▶ I	

CLICK HERE TO **DOWNLOAD** THE COMPLETE MANUAL

- Thank you very much for reading the preview of the manual.
- You can download the complete manual from: www.heydownloads.com by clicking the link below



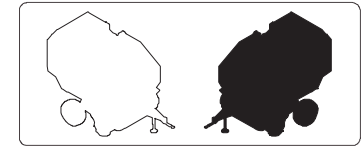
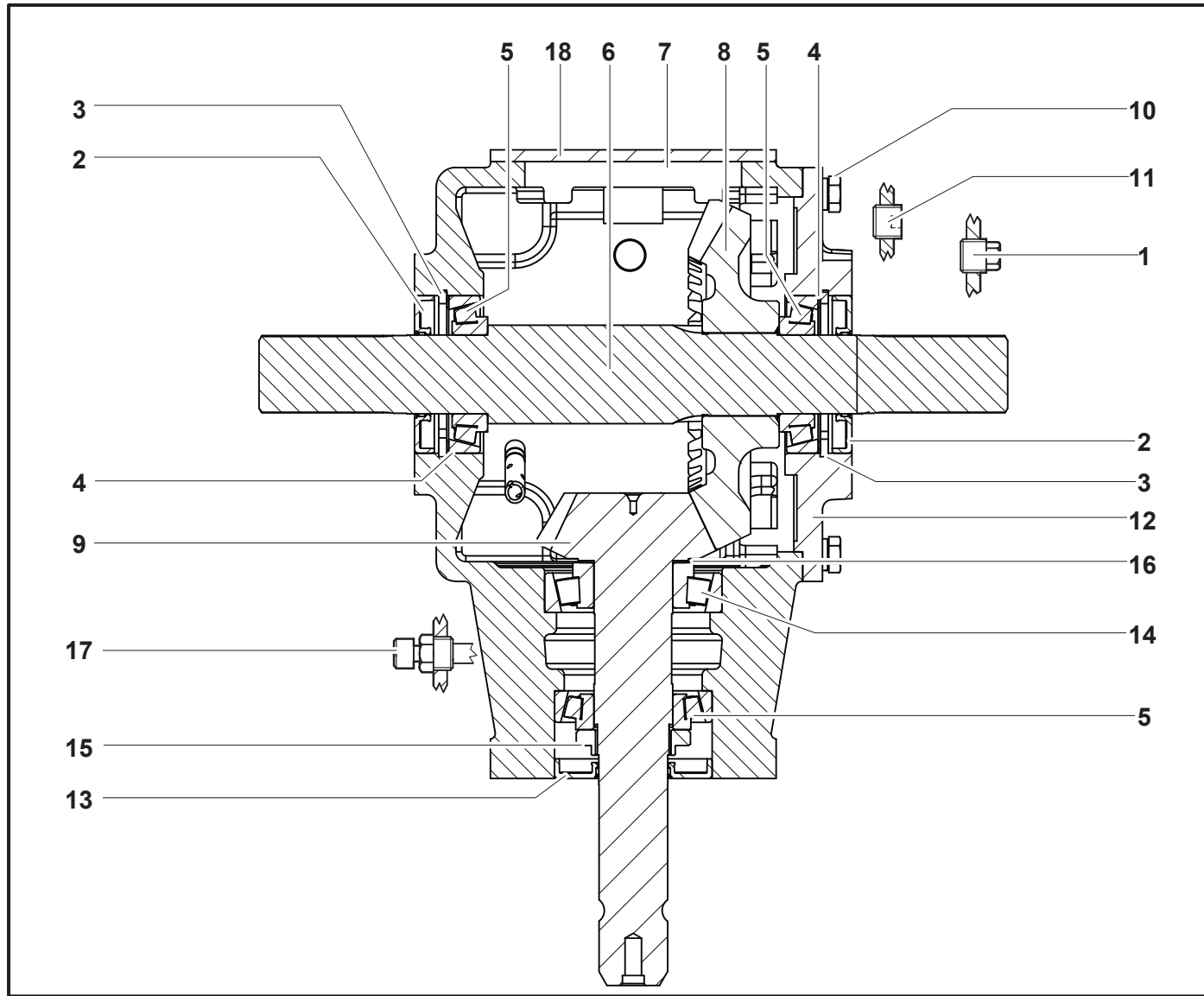
- Please note: If there is no response to CLICKING the link, please download this PDF first and then click on it.

CLICK HERE TO **DOWNLOAD** THE COMPLETE MANUAL

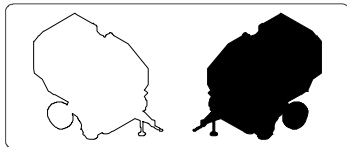
GF

Riduttore

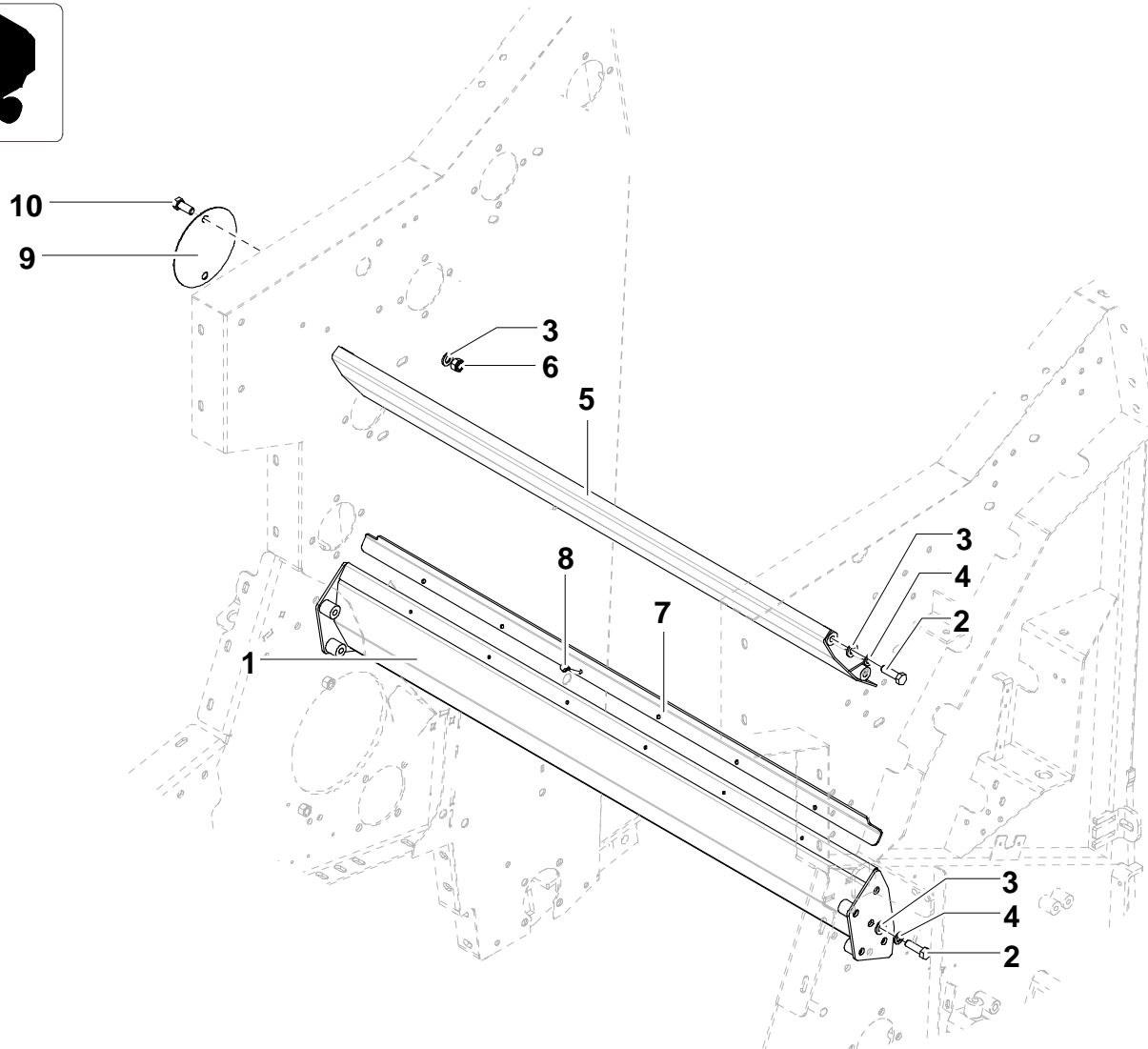
Gearbox

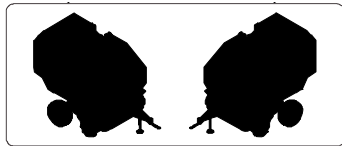


MODELS	
T	
N	
NT	



MODELS	
T	■
N	■
NT	■

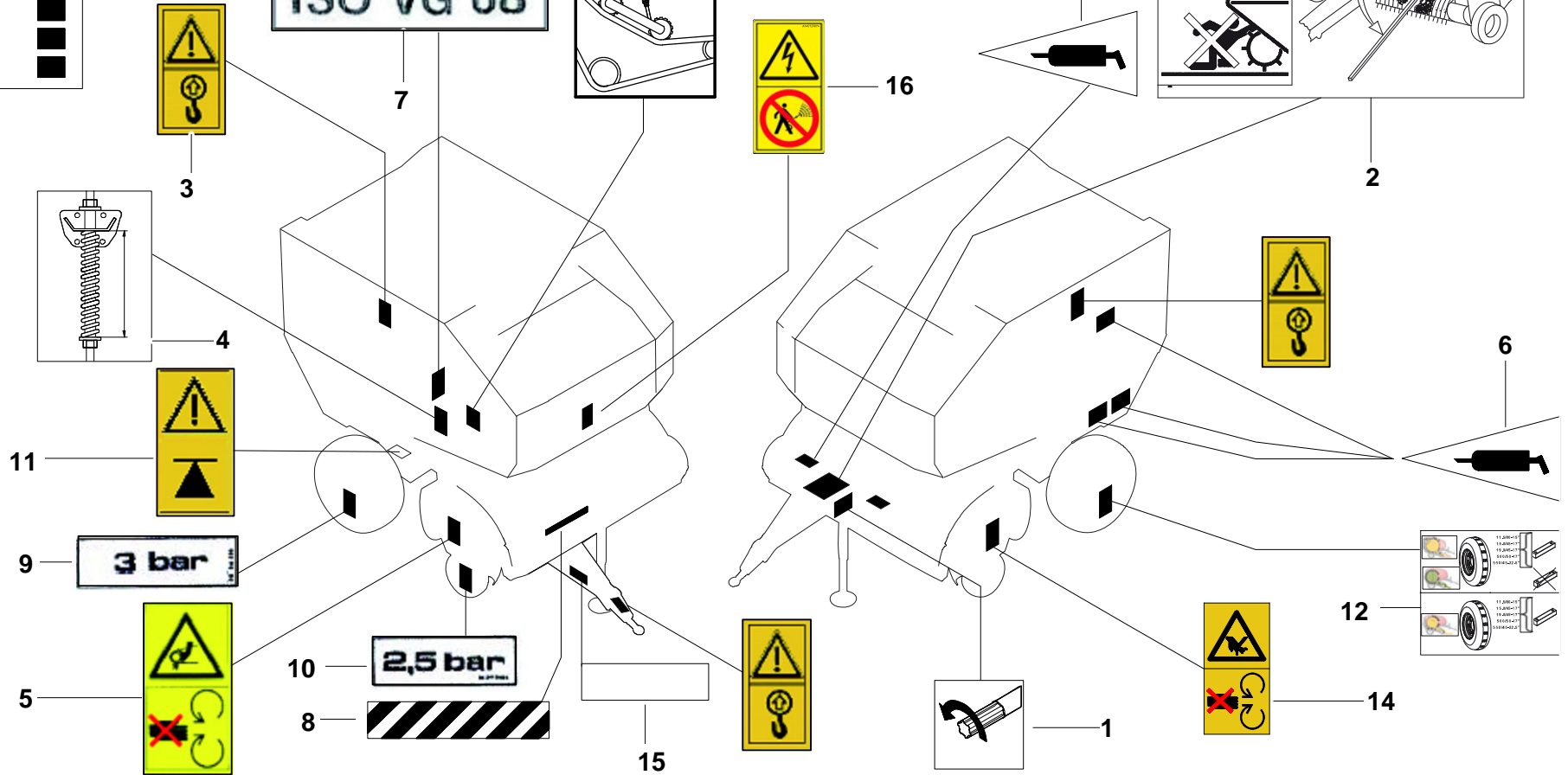
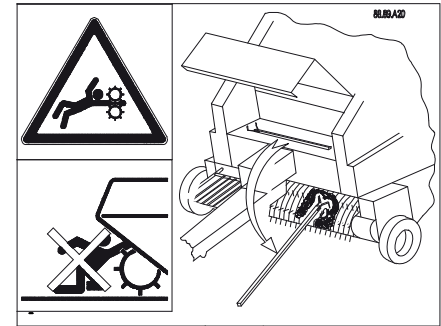
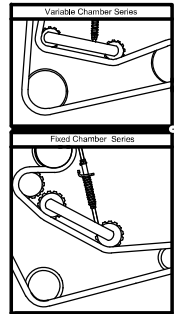


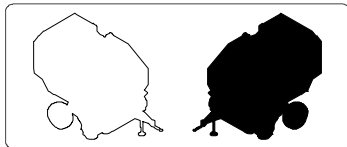


MODELS

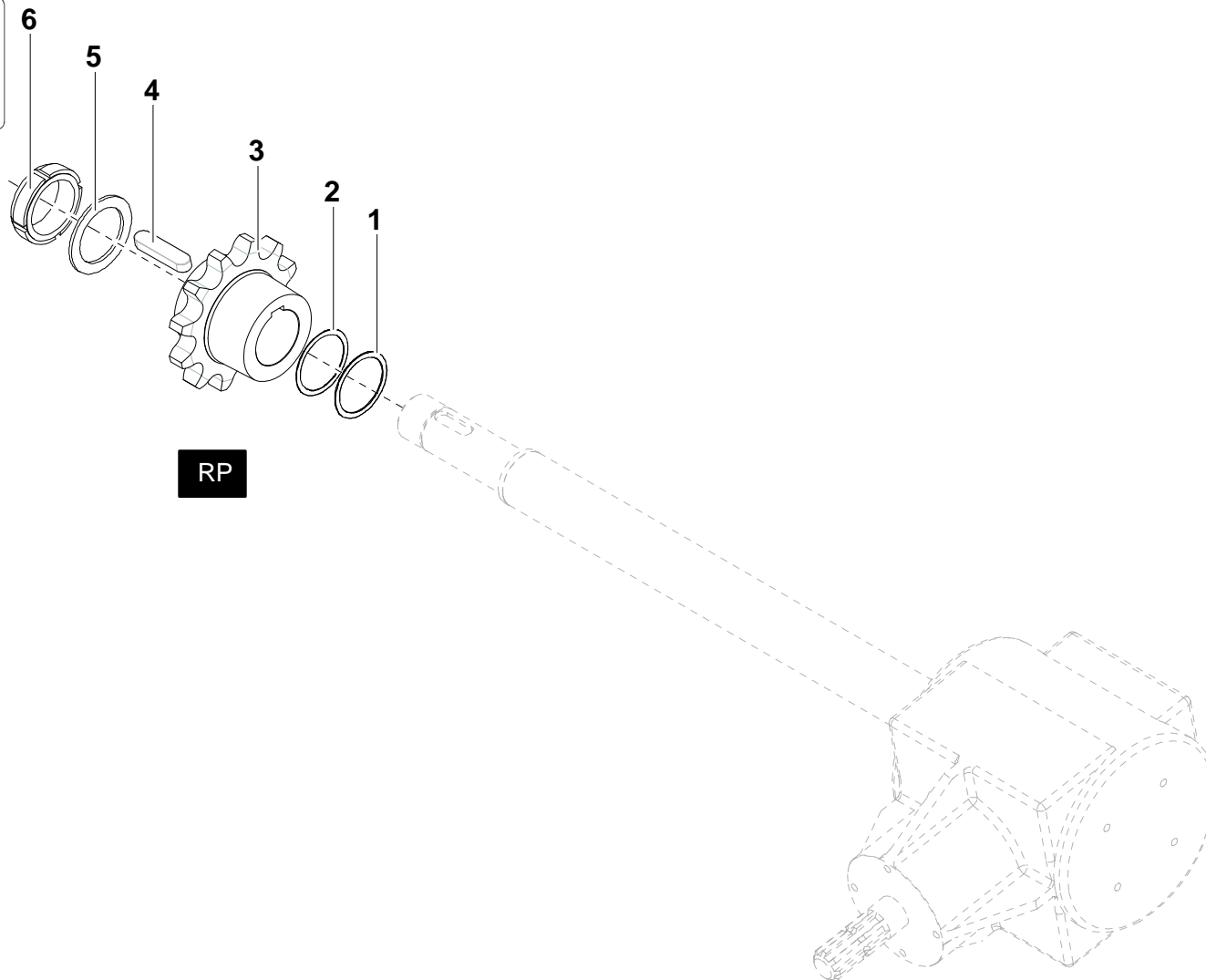
T	■
N	■
NT	■

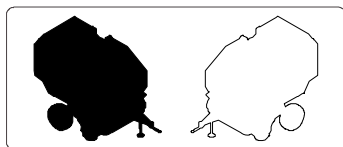
20 W SAE
ISO VG 46
ISO VG 68





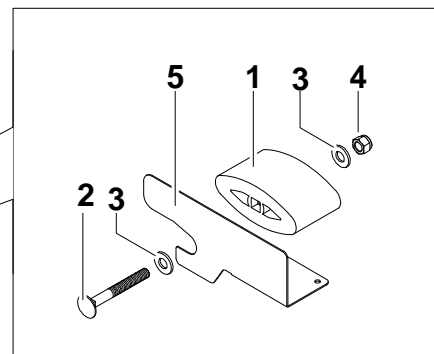
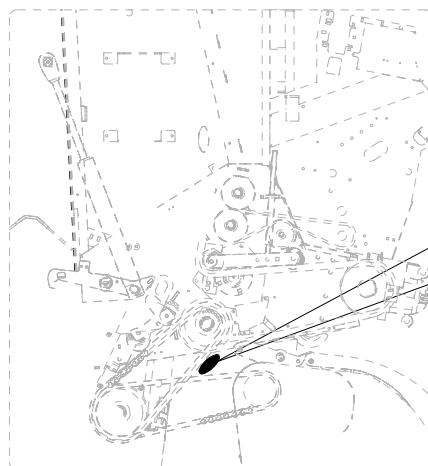
MODELS	
T	■
N	■
NT	■

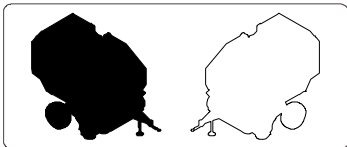




MODELS

T	<input type="checkbox"/>
N	<input checked="" type="checkbox"/>
NT	<input checked="" type="checkbox"/>





MODELS

T	■
N	■
NT	■

A4

A3

F

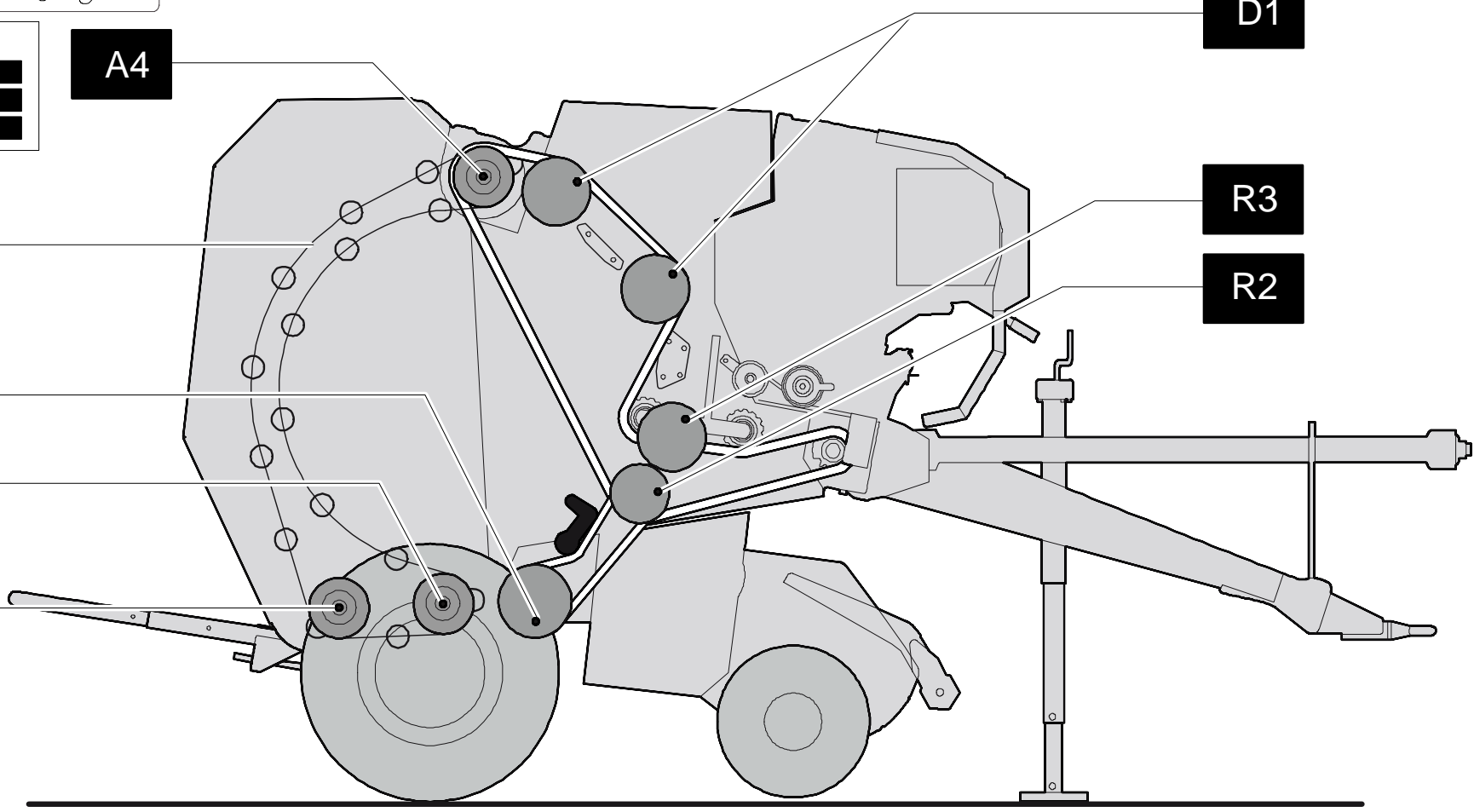
A2

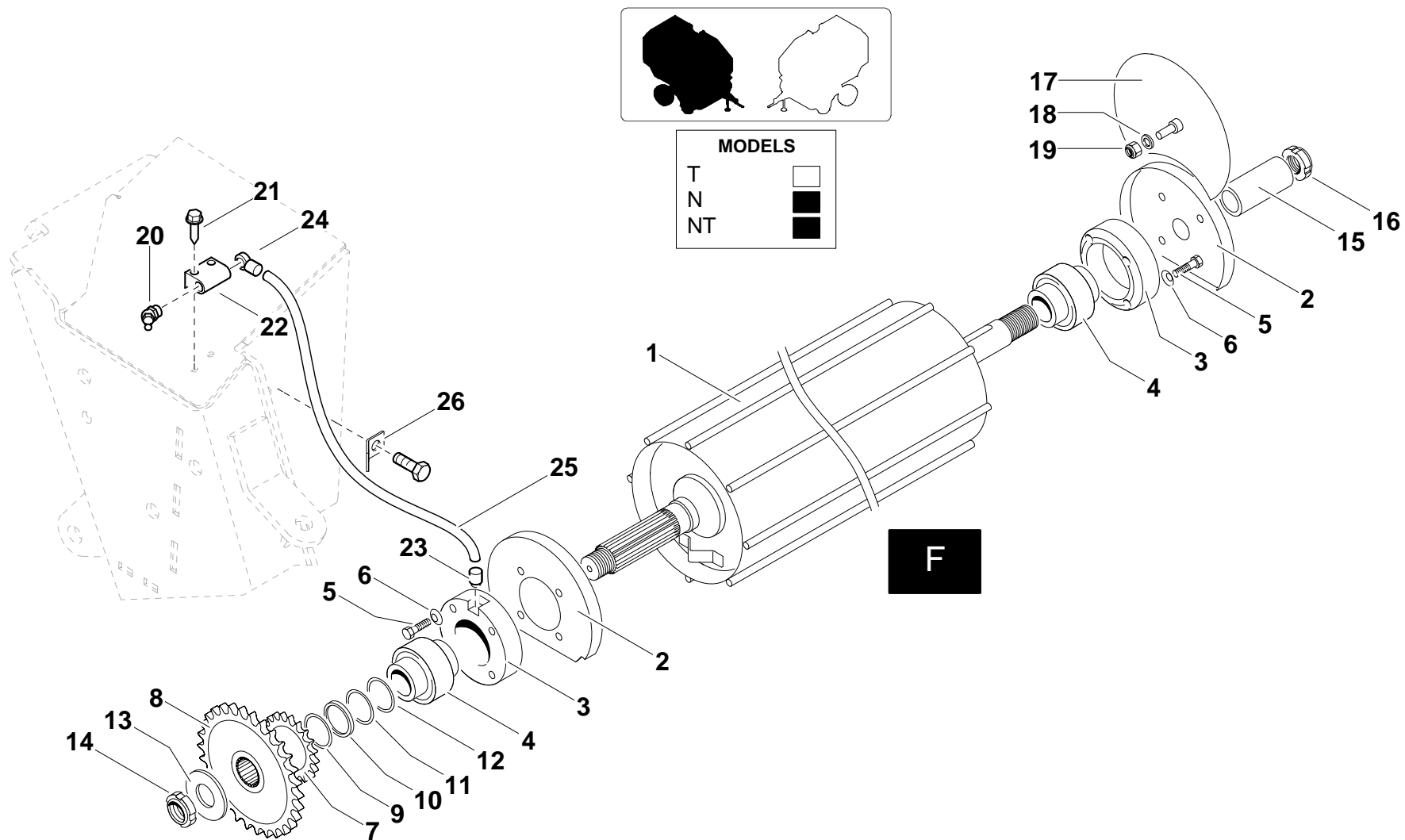
A1

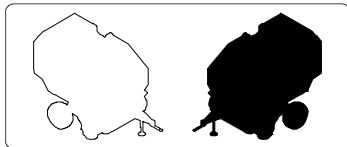
D1

R3

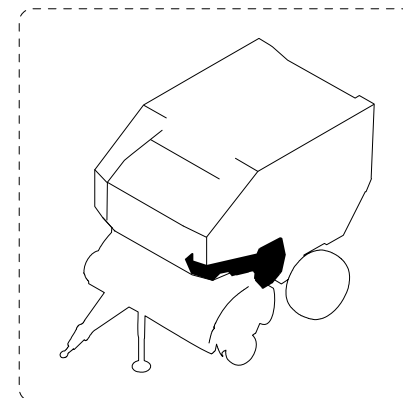
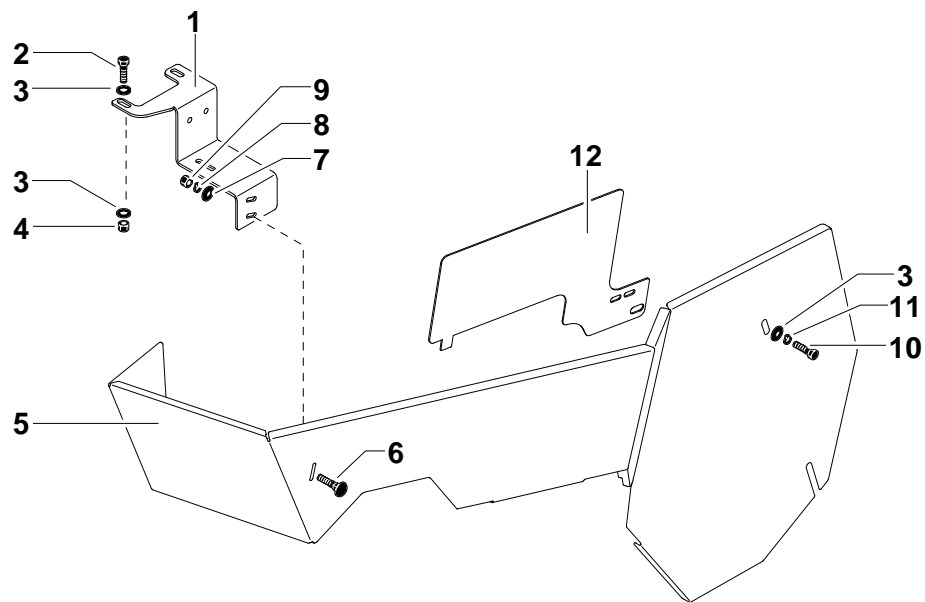
R2

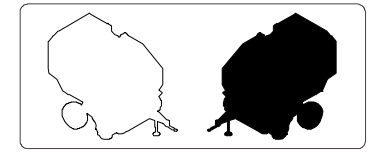
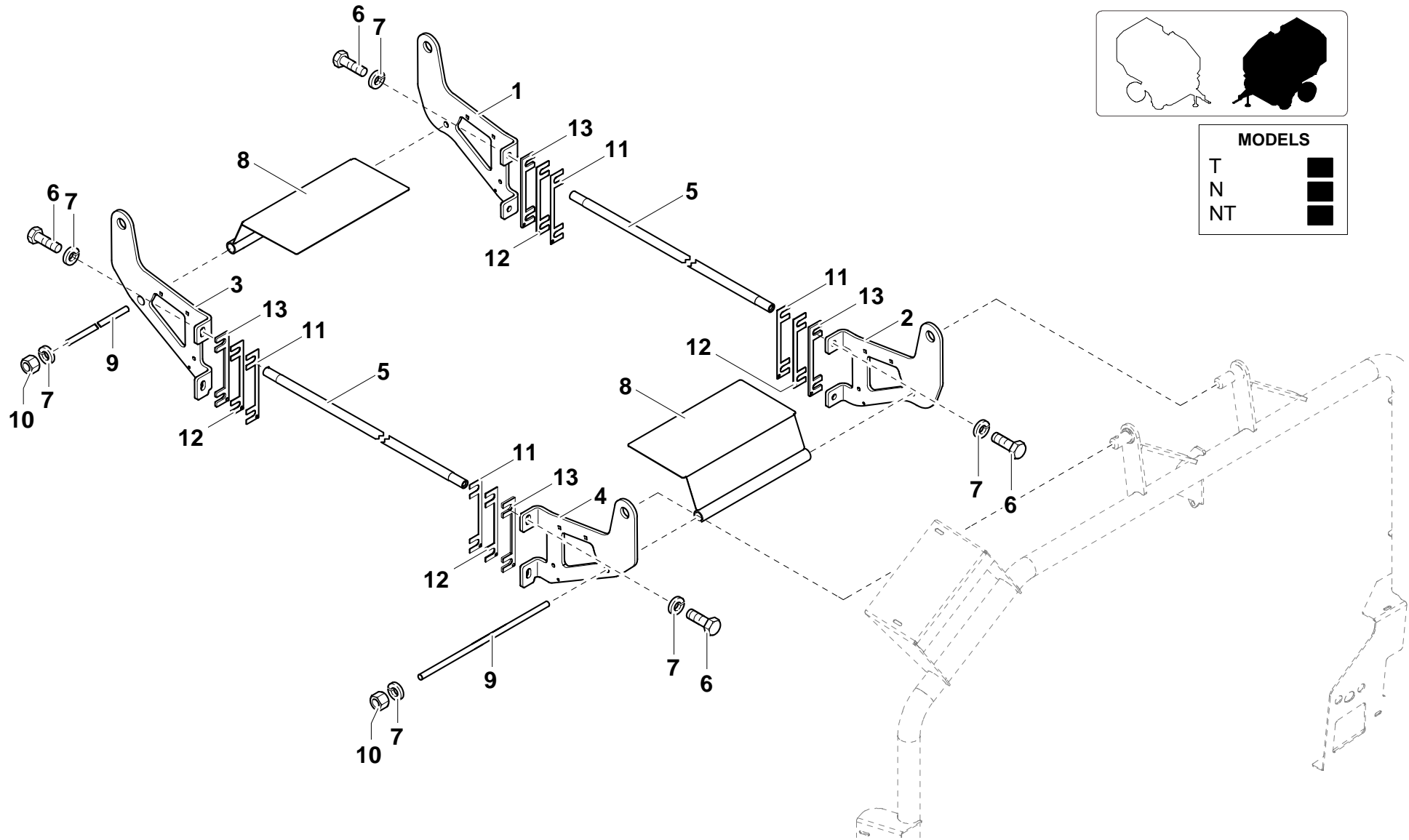




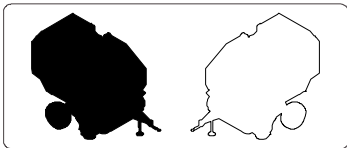


MODELS	
T	■
N	■
NT	■

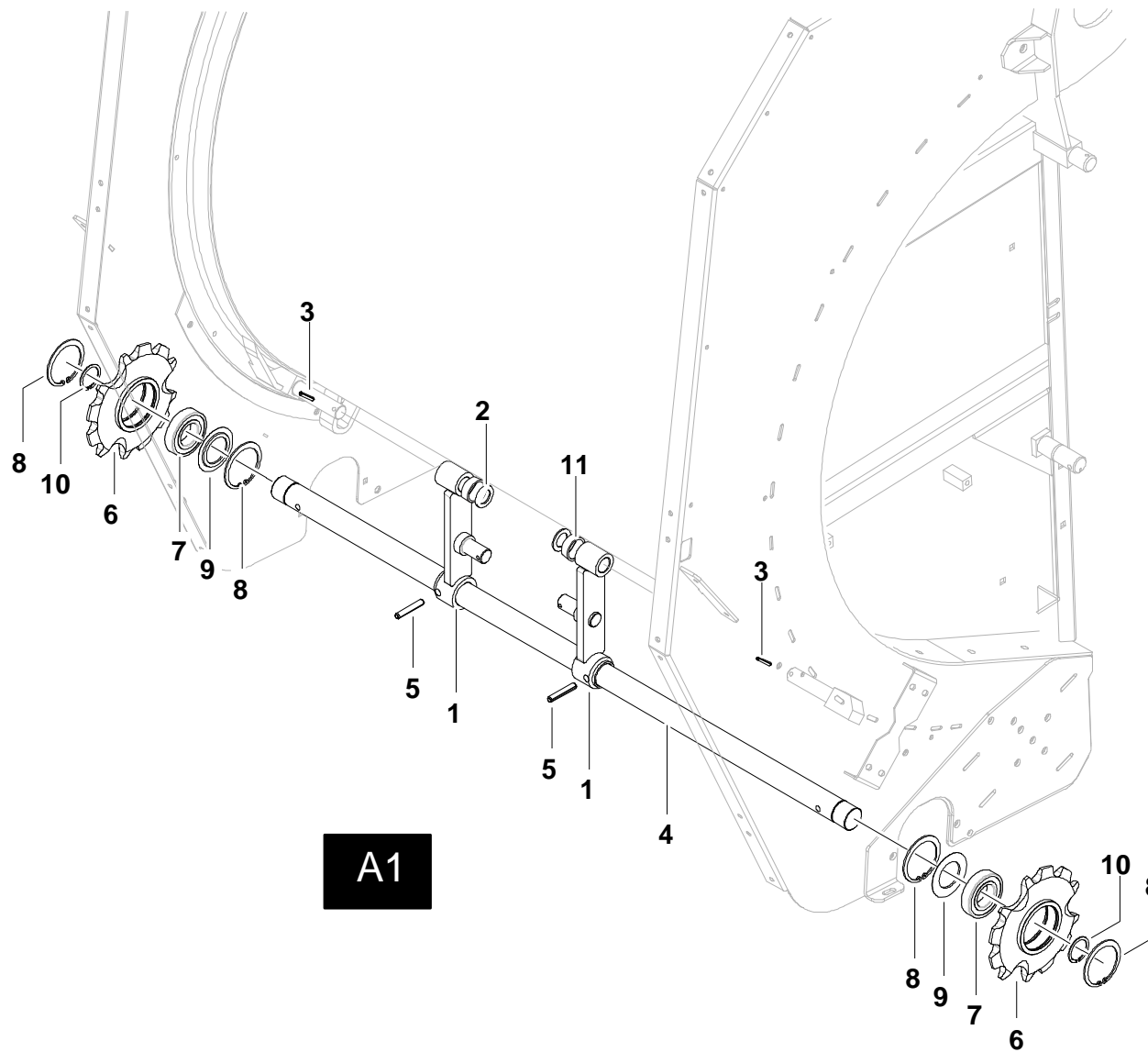


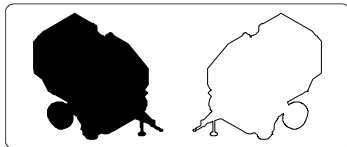


MODELS	
T	■
N	■
NT	■

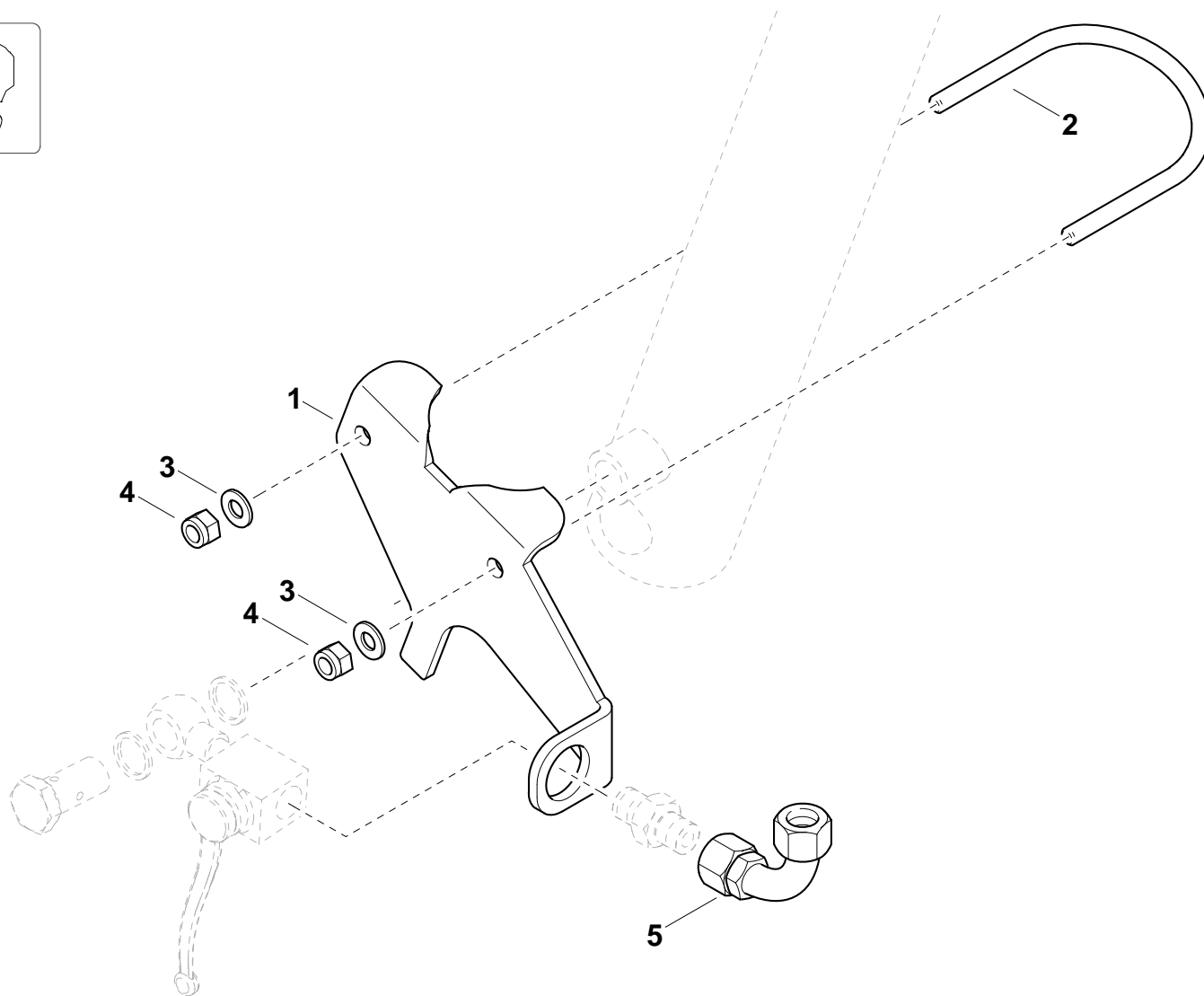


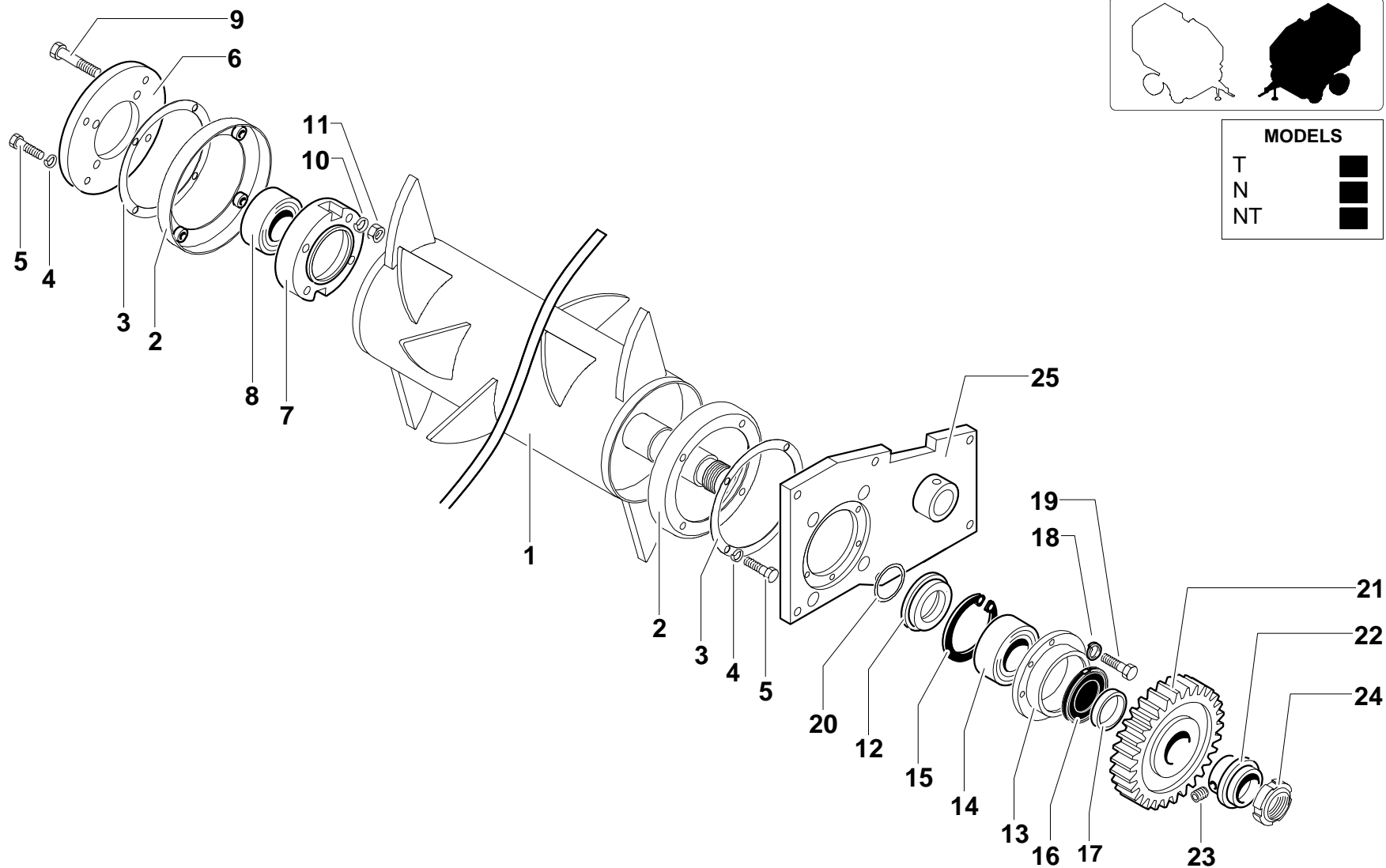
MODELS	
T	■
N	■
NT	■

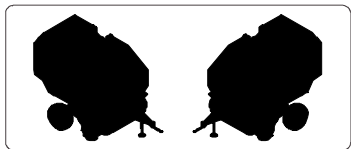
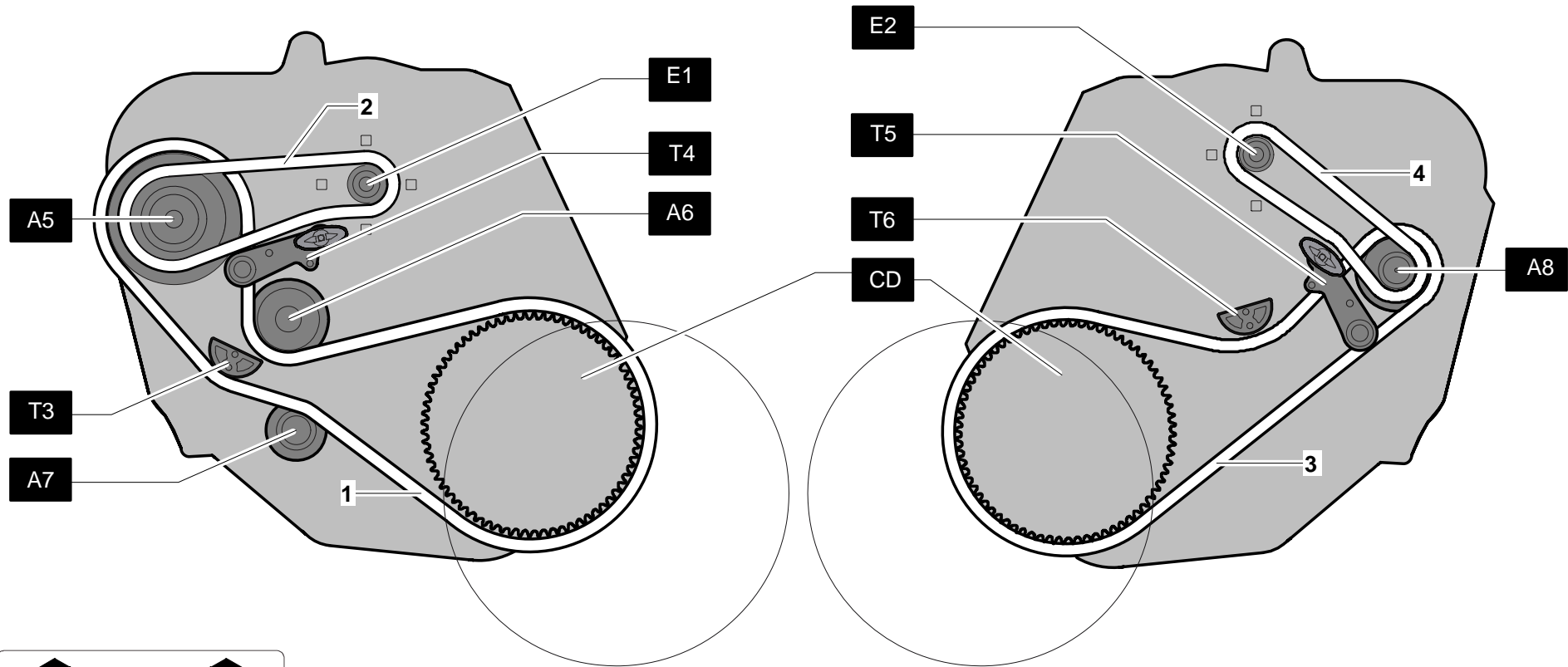




MODELS	
T	<input type="checkbox"/>
N	<input checked="" type="checkbox"/>
NT	<input type="checkbox"/>

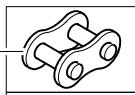
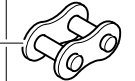


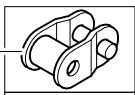
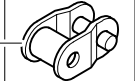


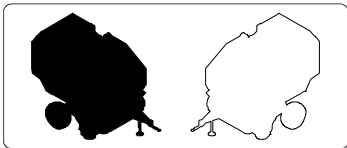


MODELS	
T	■
N	■
NT	■

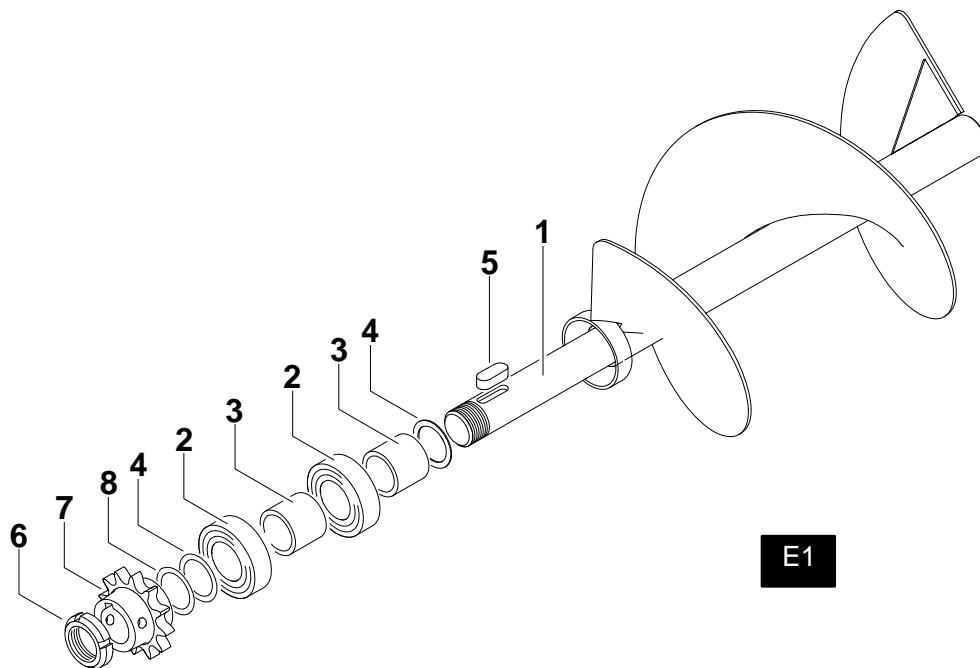
TYPE OF CHAIN
ASA 50HV 5/8"
ASA RS50HT 5/8" TSUBAKI

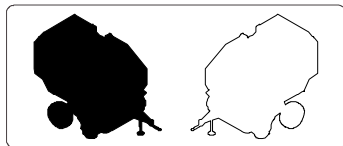
CONNECTING LINK
5 
7 

OFFSET LINK
6 
8 

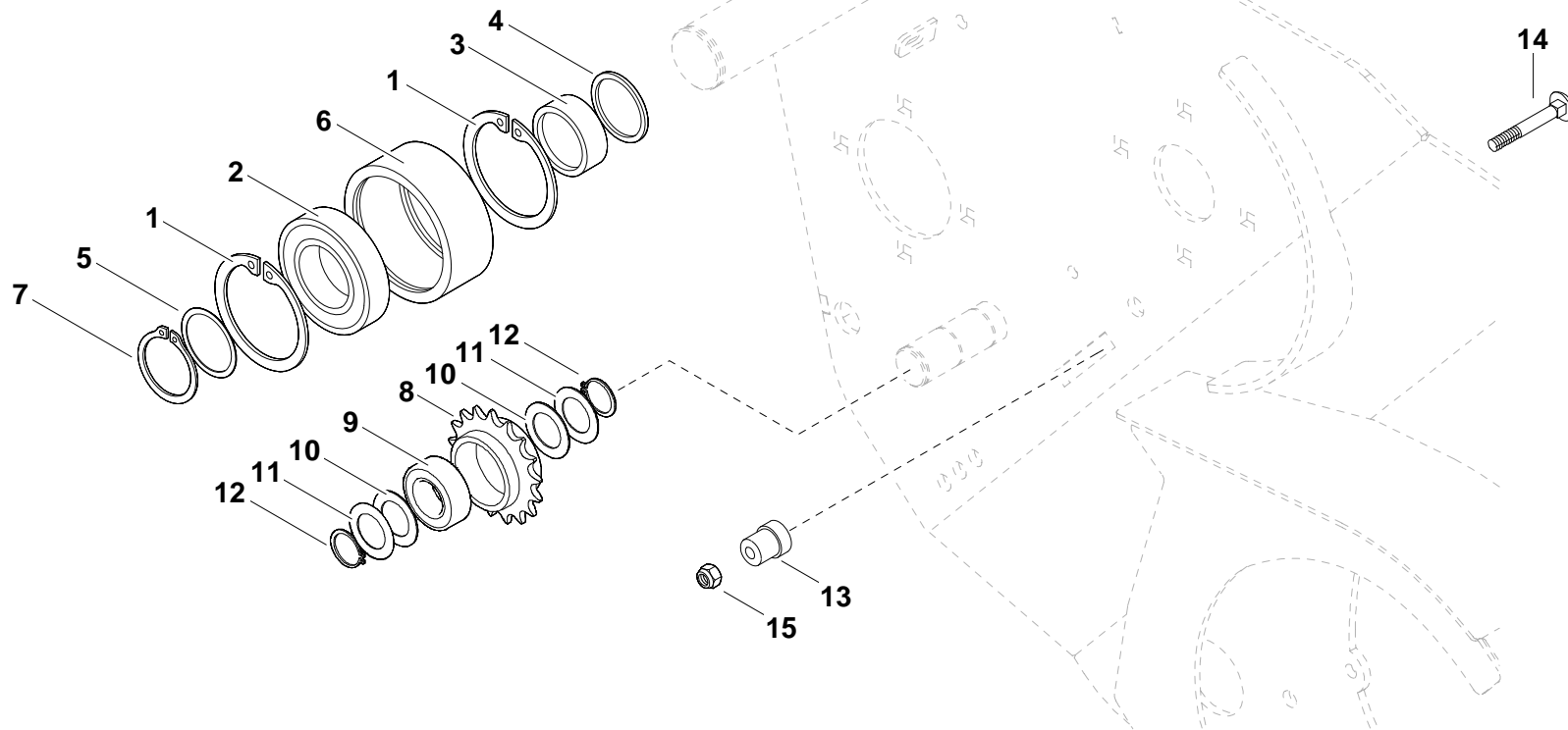


MODELS	
T	■
N	■
NT	■





MODELS	
T	■
N	■
NT	■



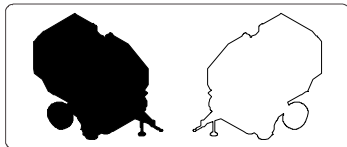
CLICK HERE TO **DOWNLOAD** THE COMPLETE MANUAL

- Thank you very much for reading the preview of the manual.
- You can download the complete manual from: www.heydownloads.com by clicking the link below

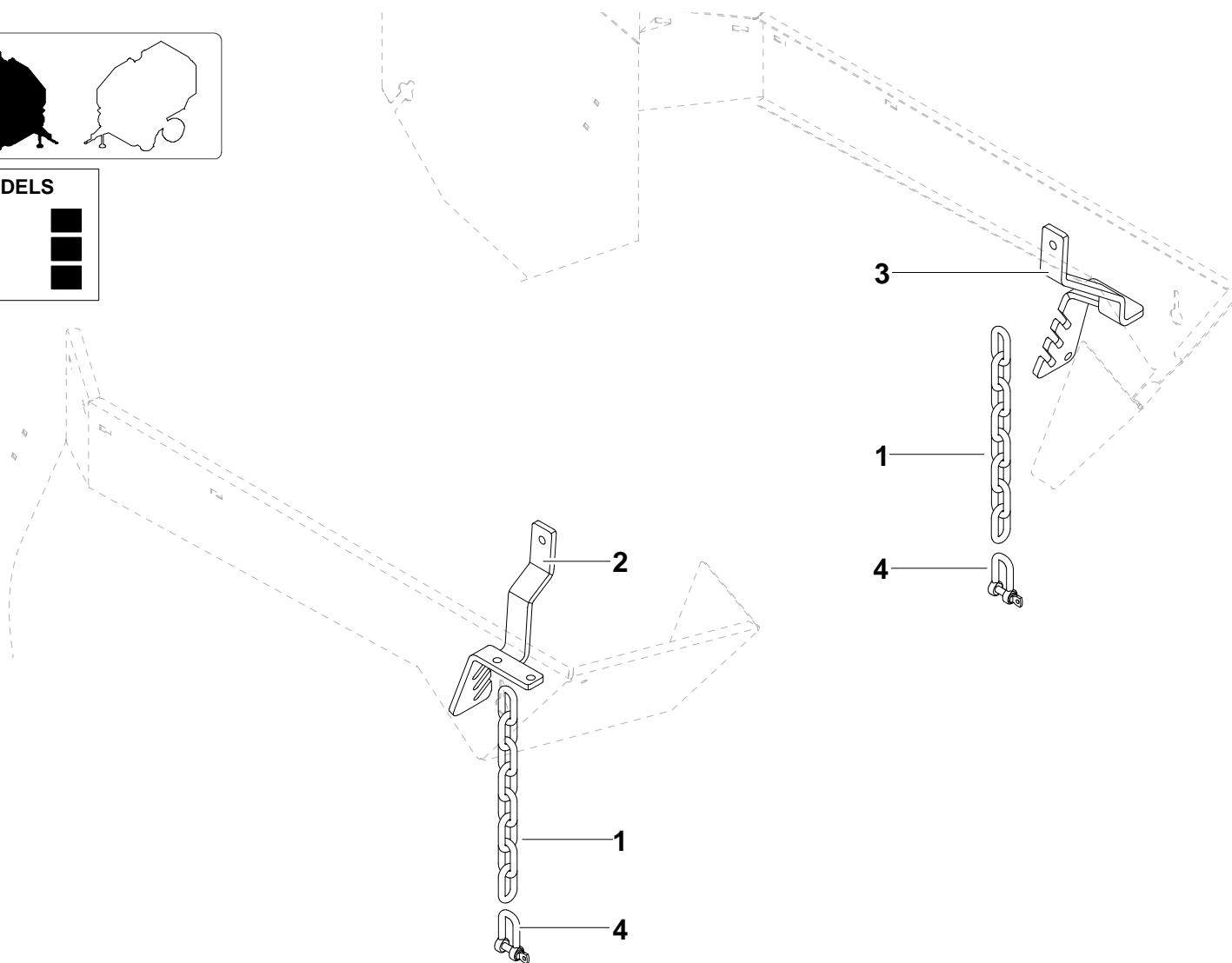


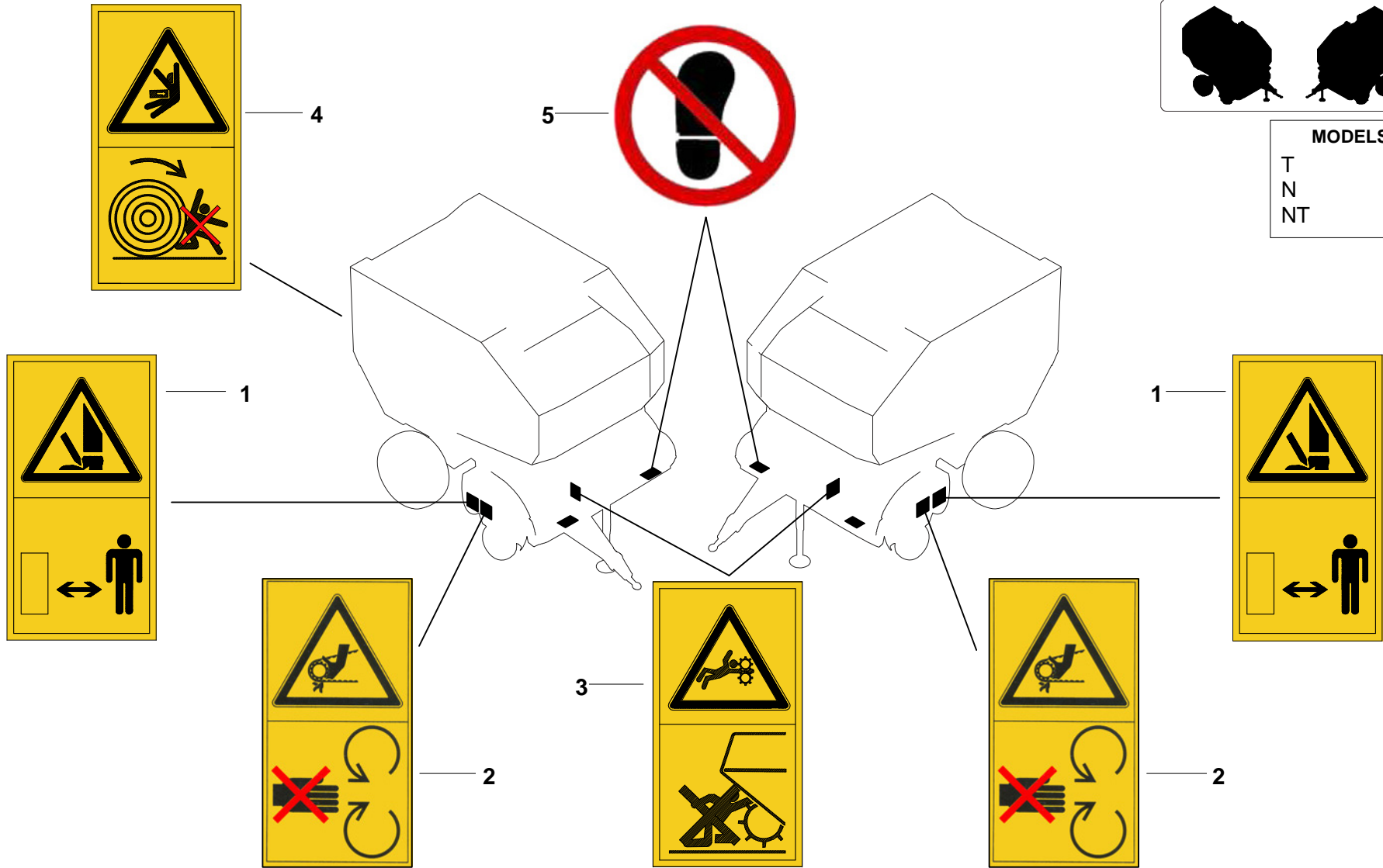
- Please note: If there is no response to CLICKING the link, please download this PDF first and then click on it.

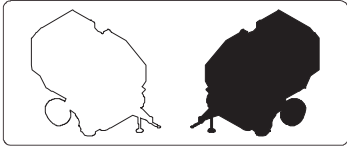
CLICK HERE TO **DOWNLOAD** THE COMPLETE MANUAL



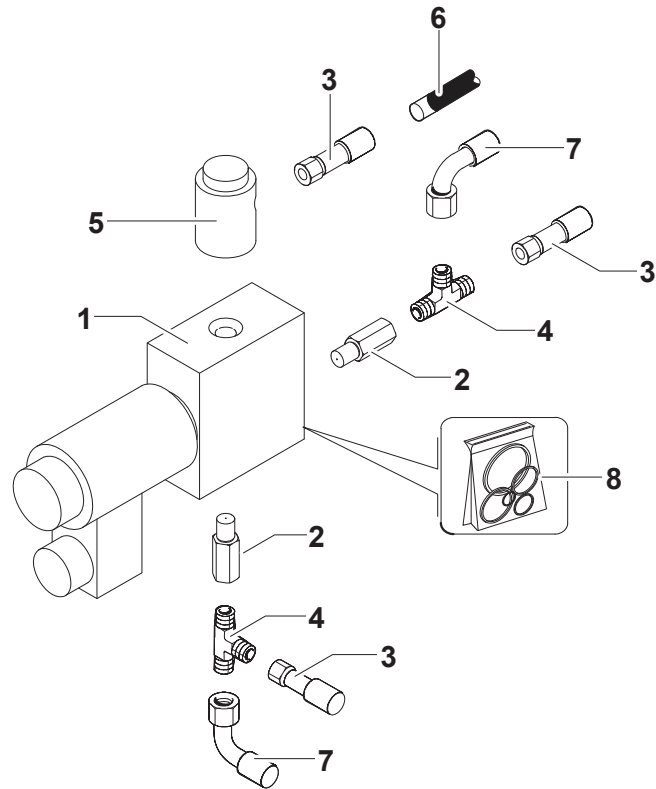
MODELS	
T	■
N	■
NT	■

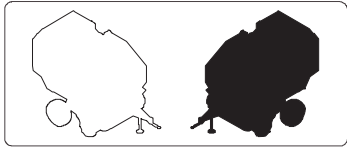




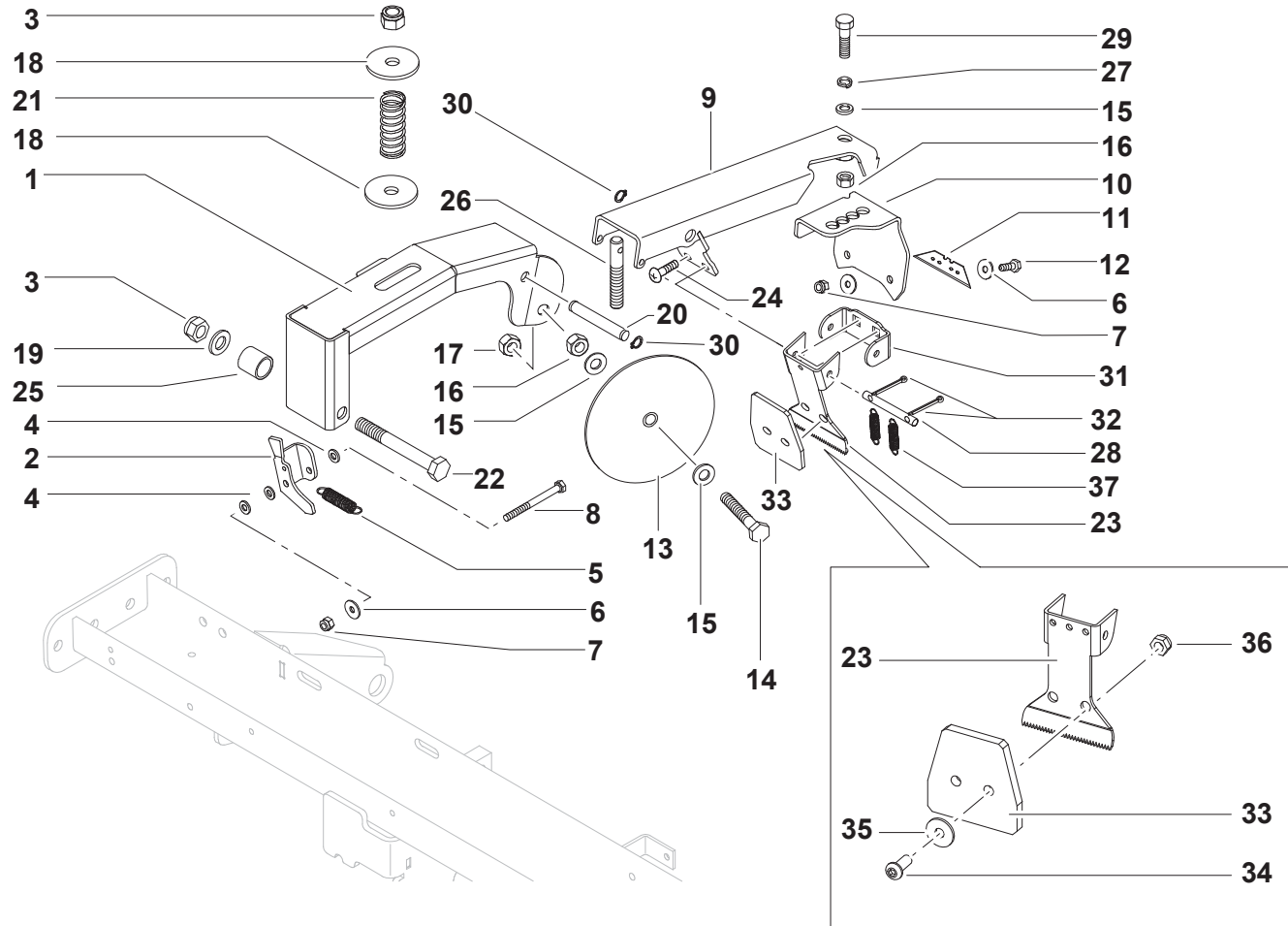


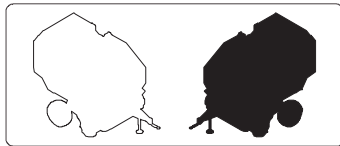
MODELS	
T	■
N	■
NT	■



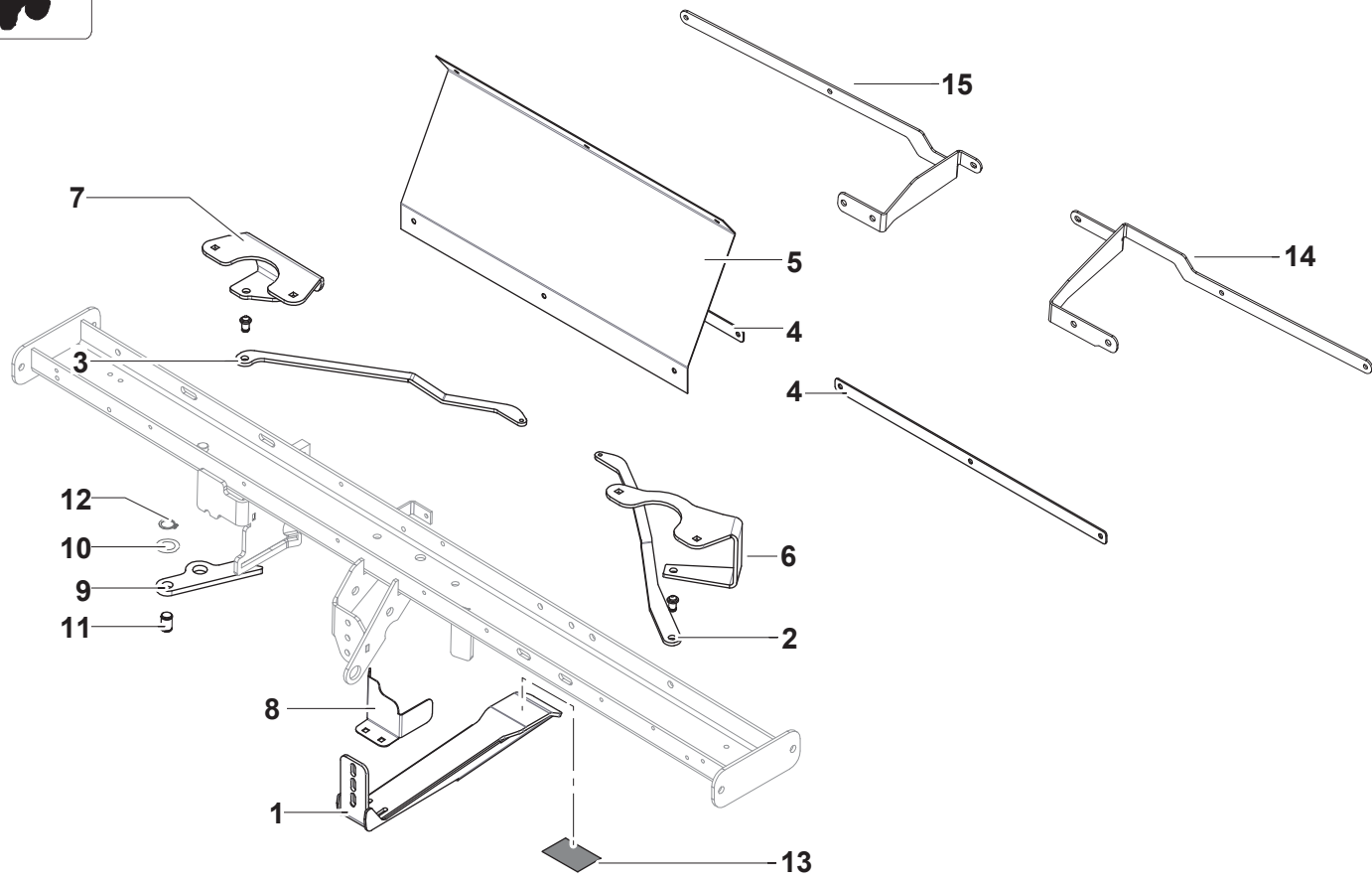


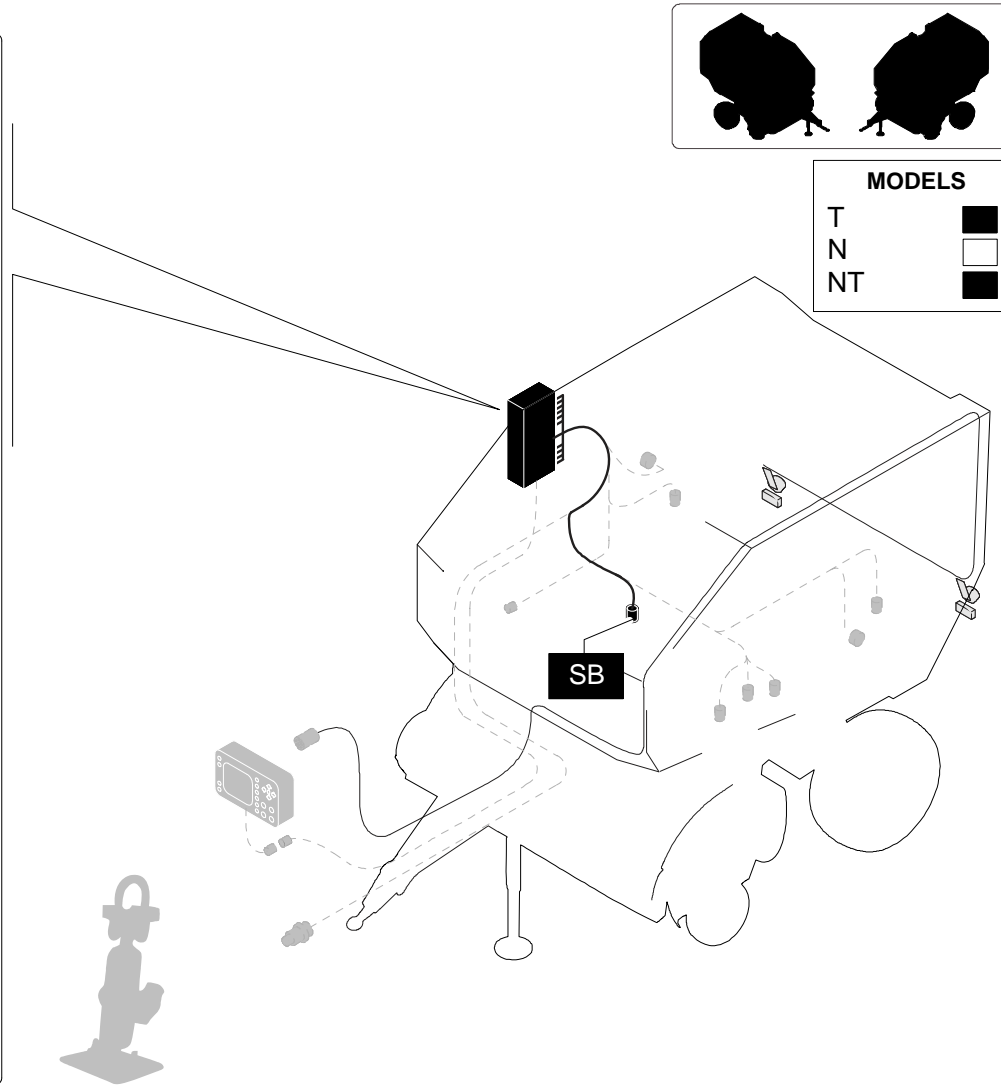
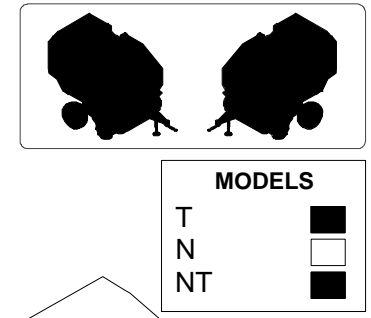
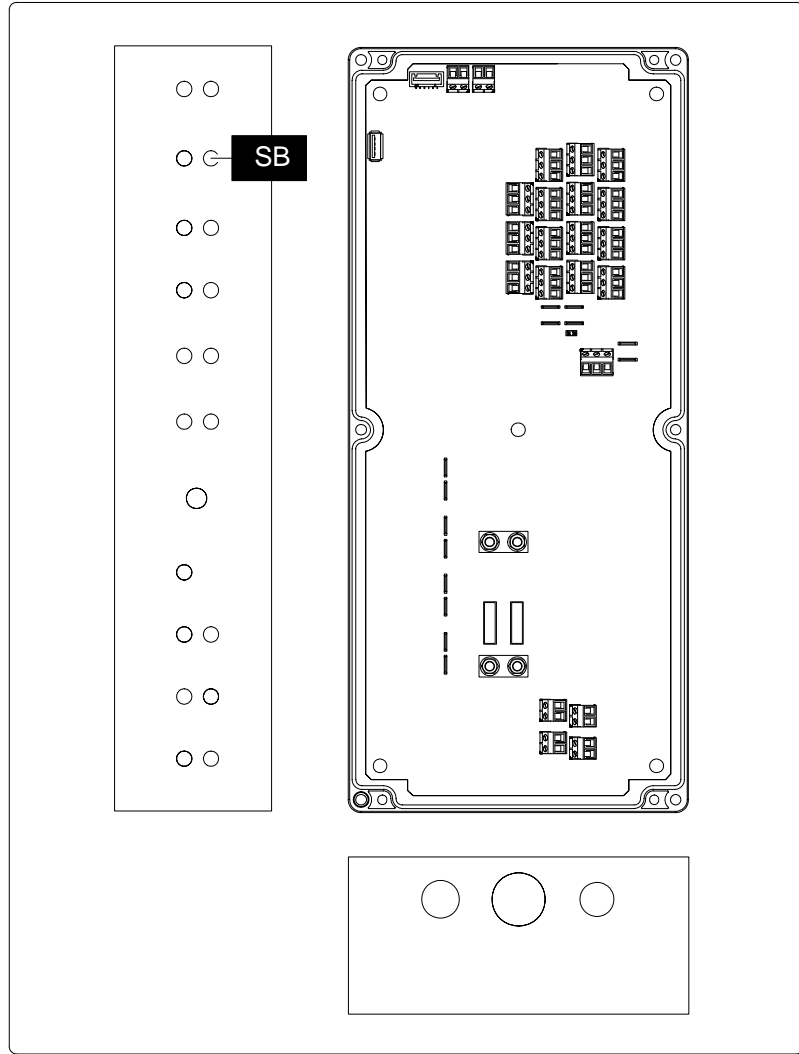
MODELS	
T	<input checked="" type="checkbox"/>
N	<input type="checkbox"/>
NT	<input checked="" type="checkbox"/>





MODELS	
T	■
N	□
NT	■

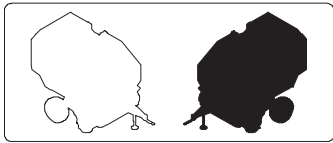




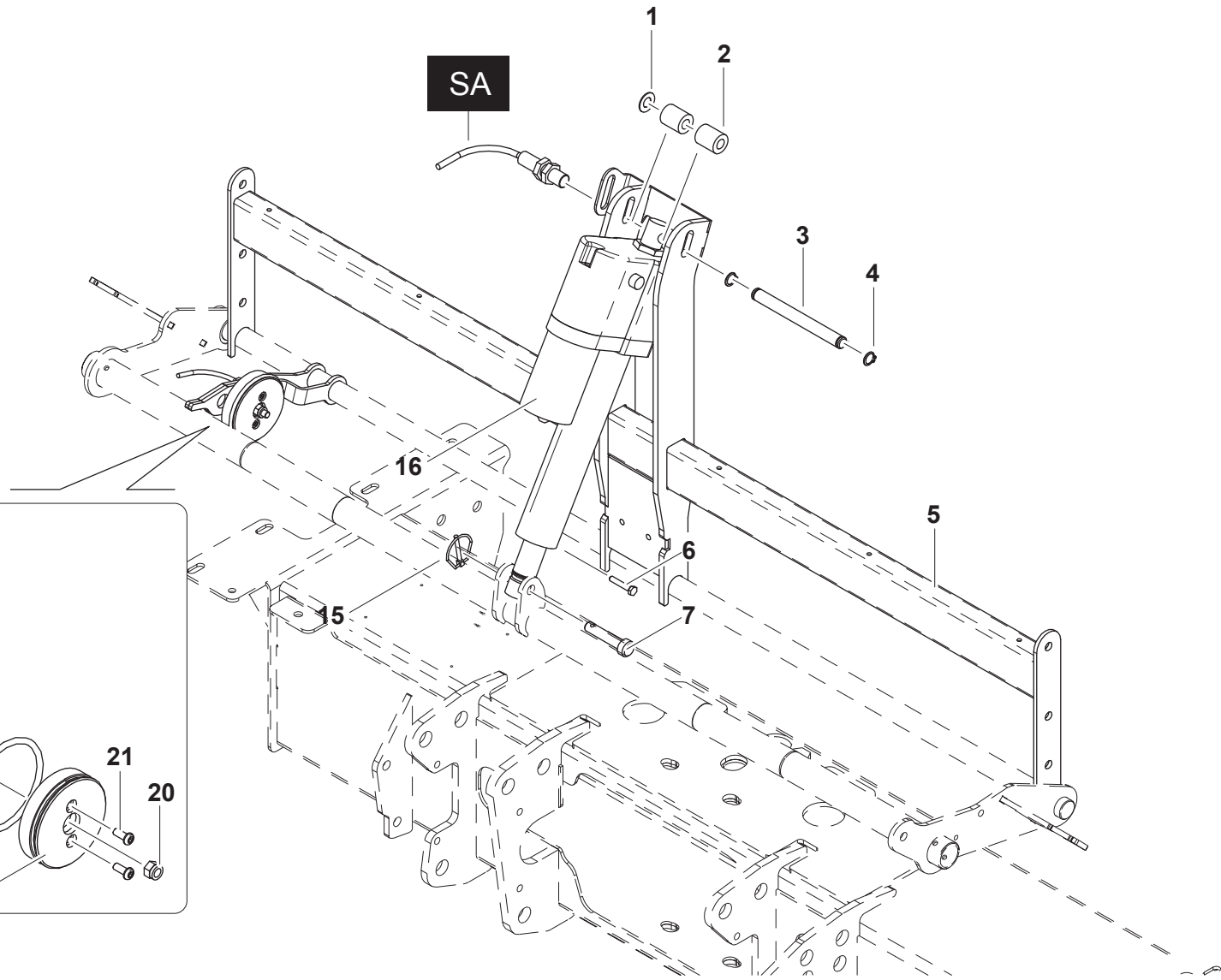
GBn

Legatore rete

Net binding unit



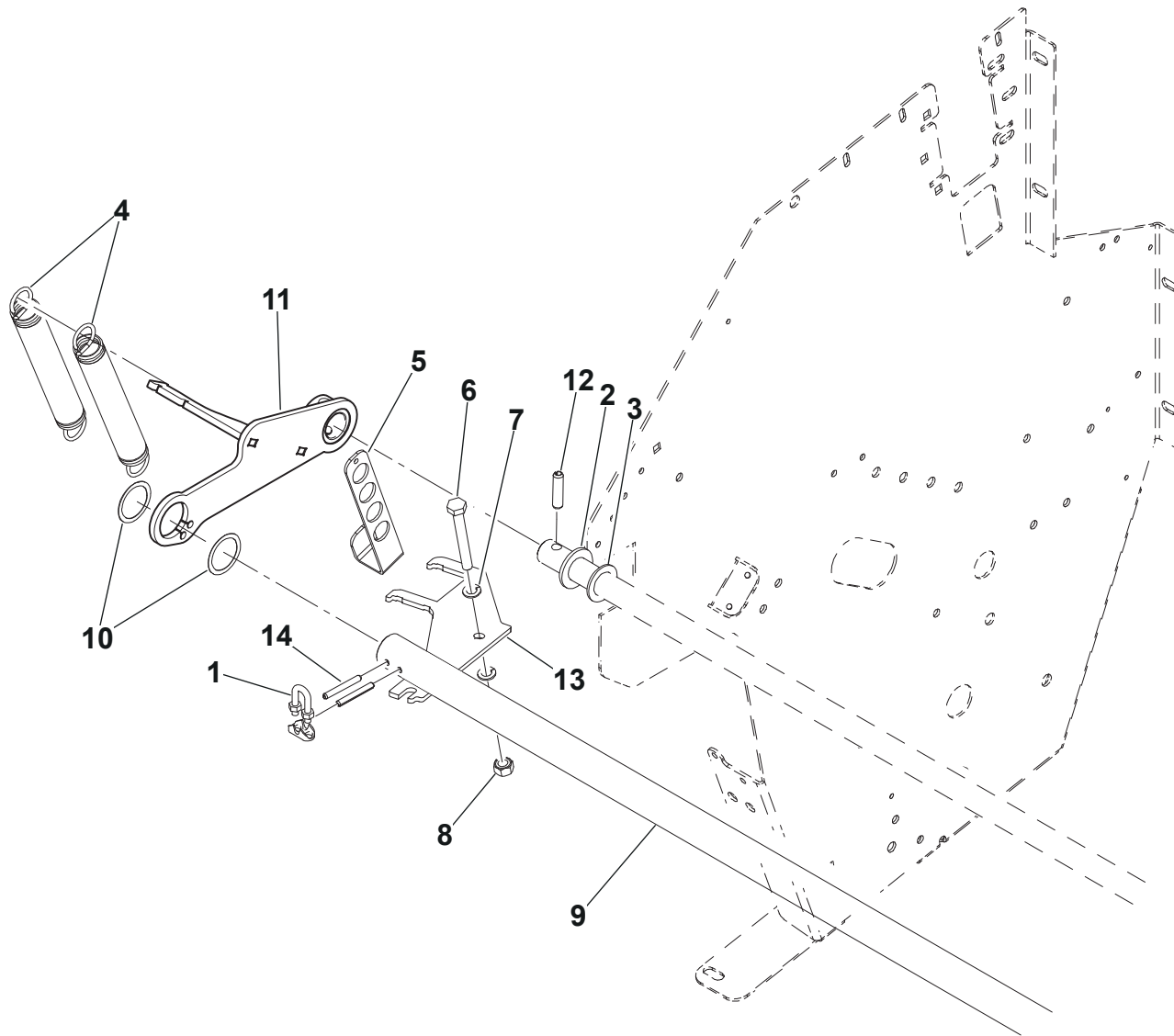
MODELS	
T	<input type="checkbox"/>
N	<input type="checkbox"/>
NT	<input type="checkbox"/>



GBn

Freno per bobina rete

Brake fot net roll

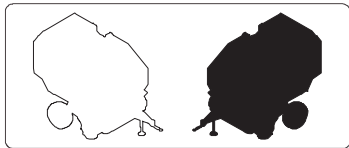


MODELS	
T	<input type="checkbox"/>
N	<input checked="" type="checkbox"/>
NT	<input checked="" type="checkbox"/>

GBn

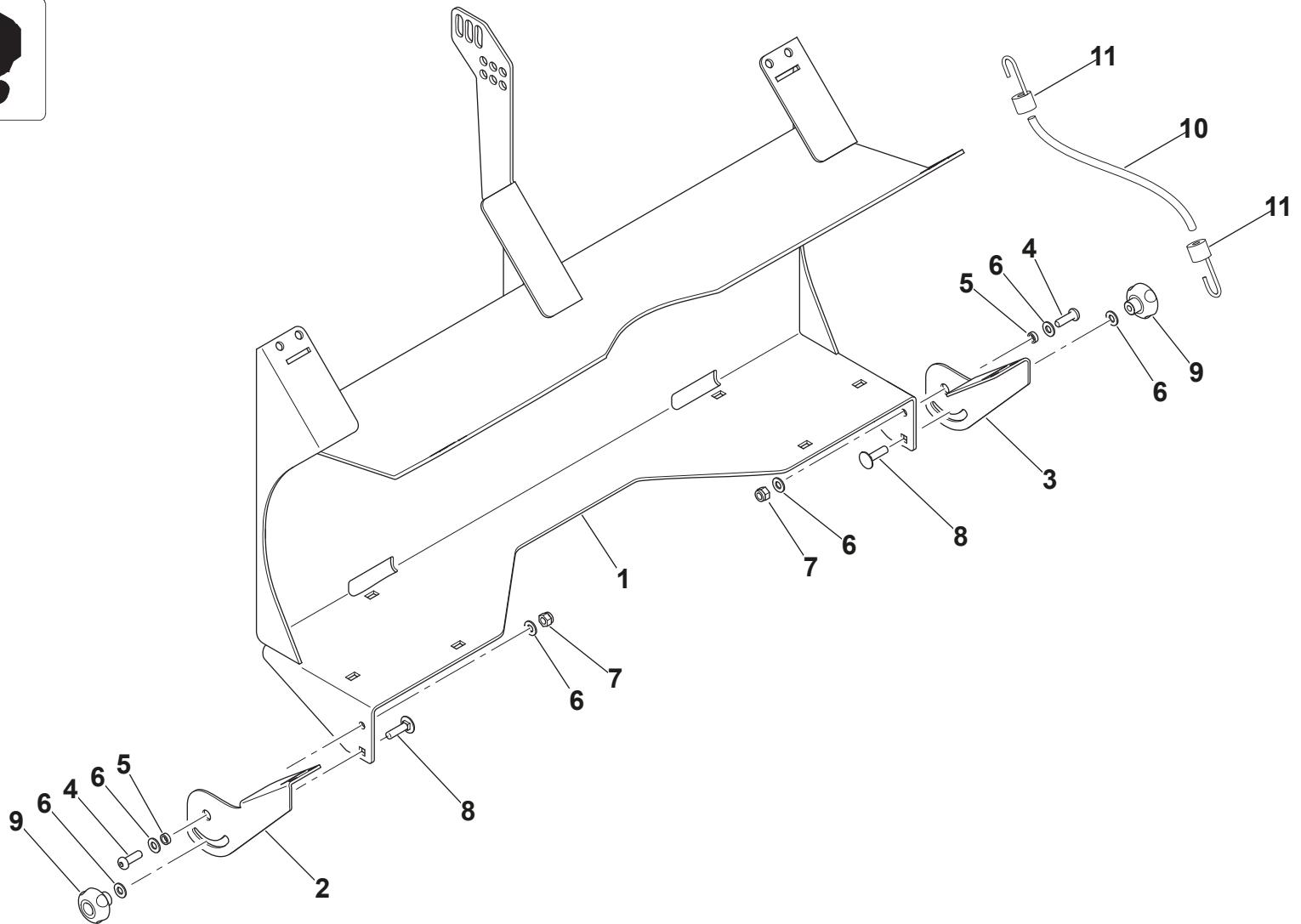
Cassa rete

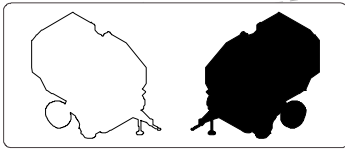
Net box



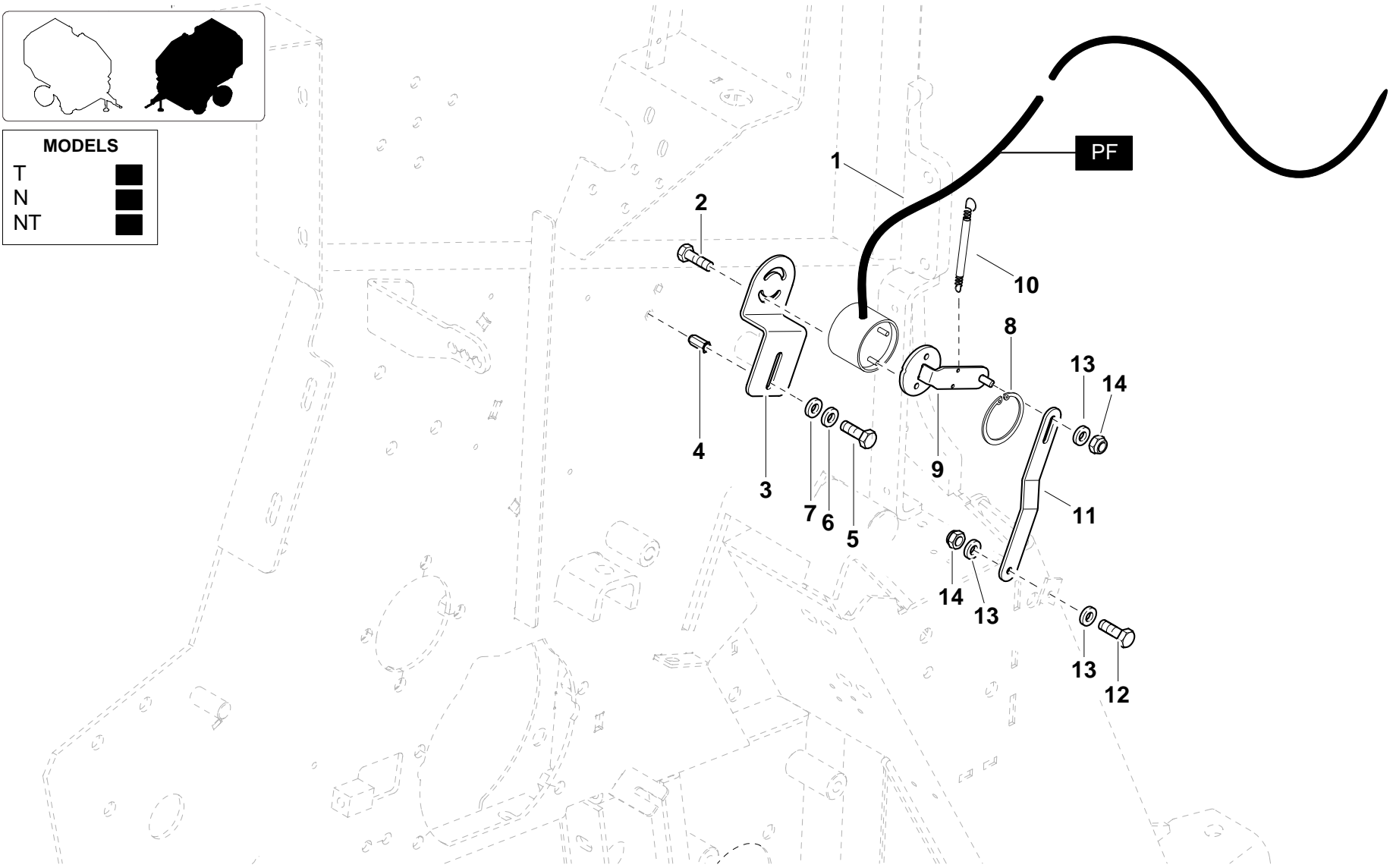
MODELS

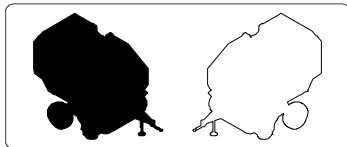
T	<input type="checkbox"/>
N	<input checked="" type="checkbox"/>
NT	<input type="checkbox"/>



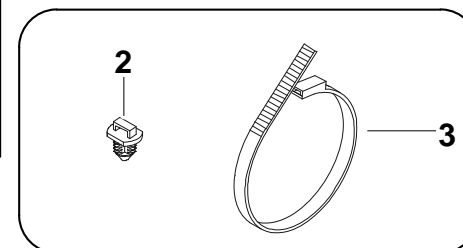
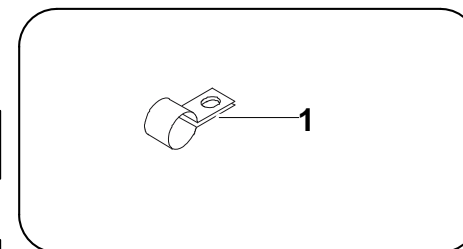
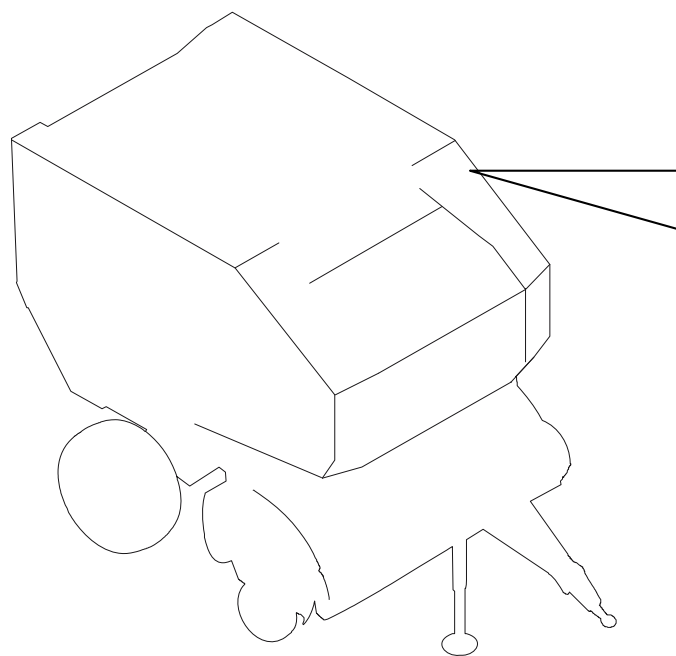


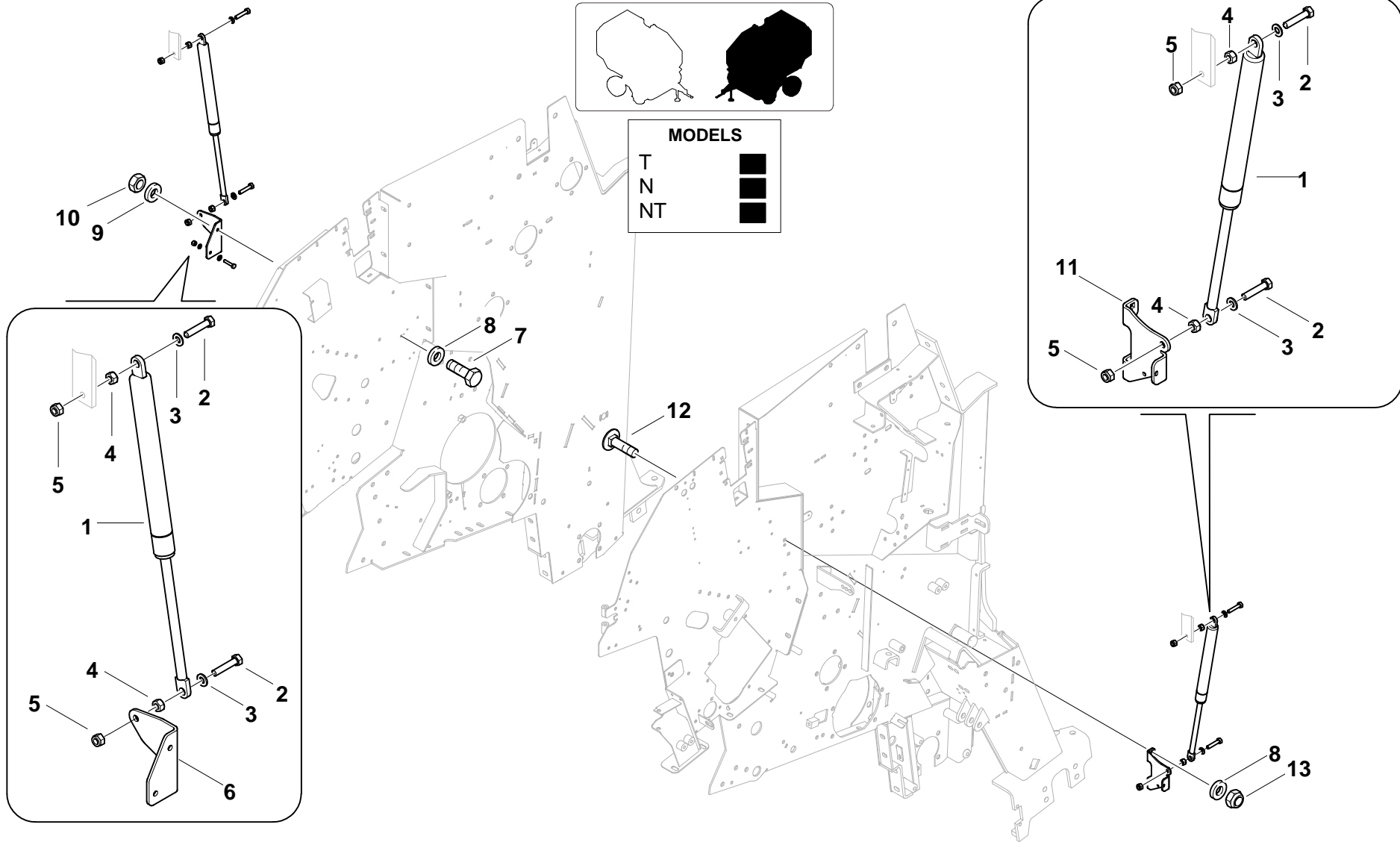
MODELS	
T	■
N	■
NT	■





MODELS	
T	■
N	■
NT	■

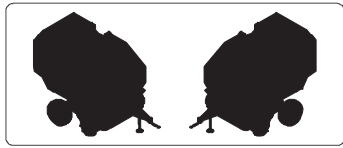




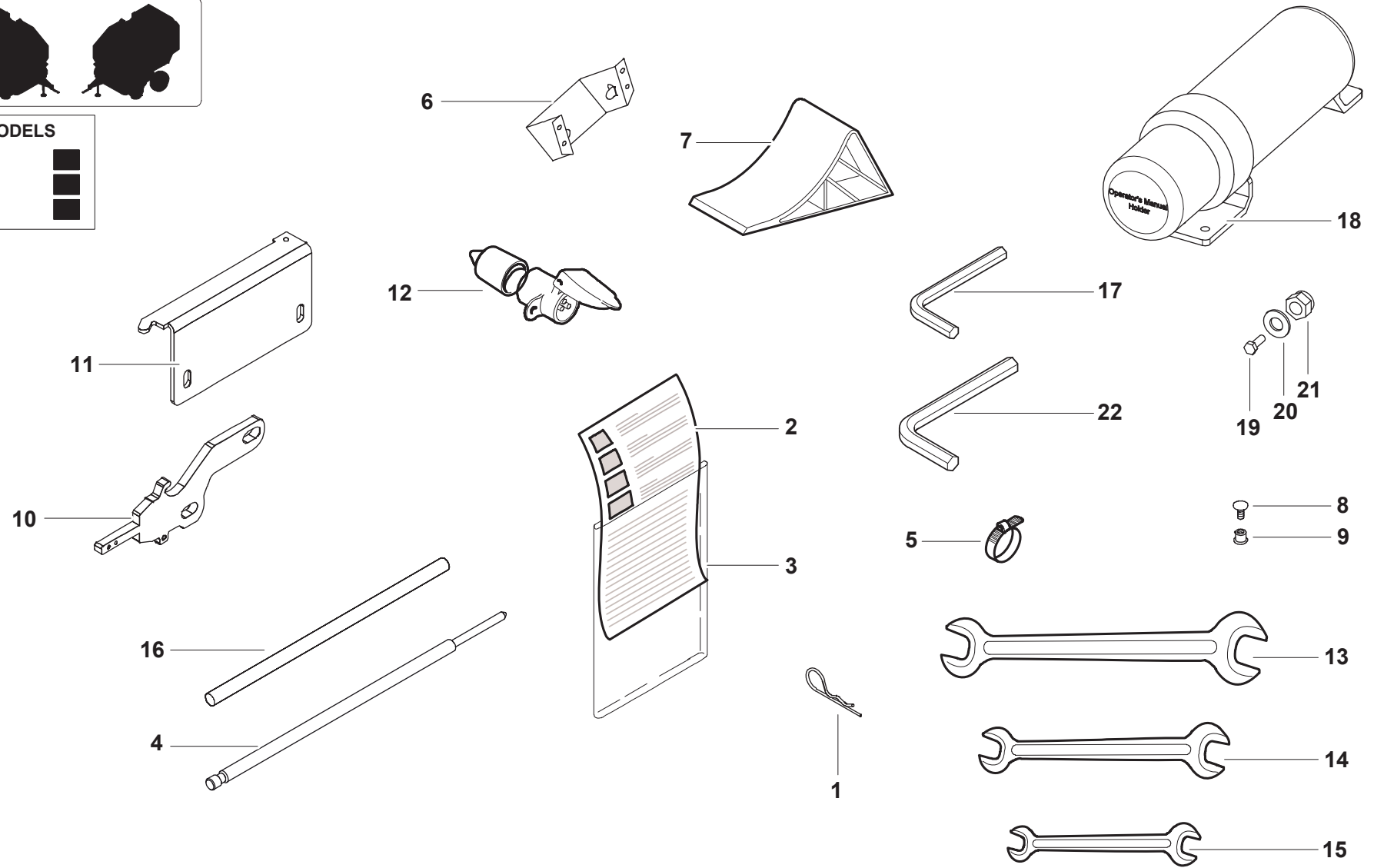
GD

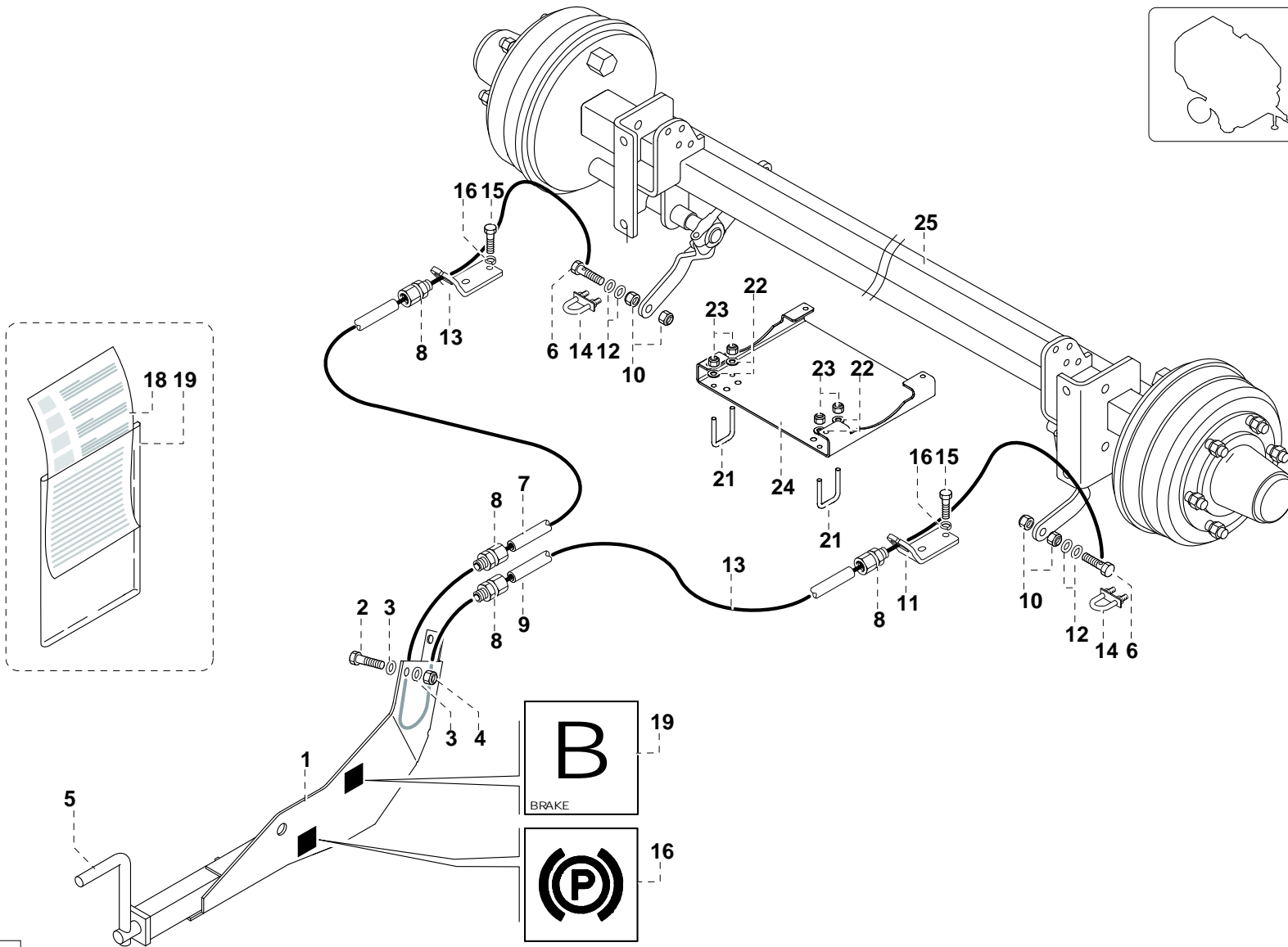
Dotazione

Equipment

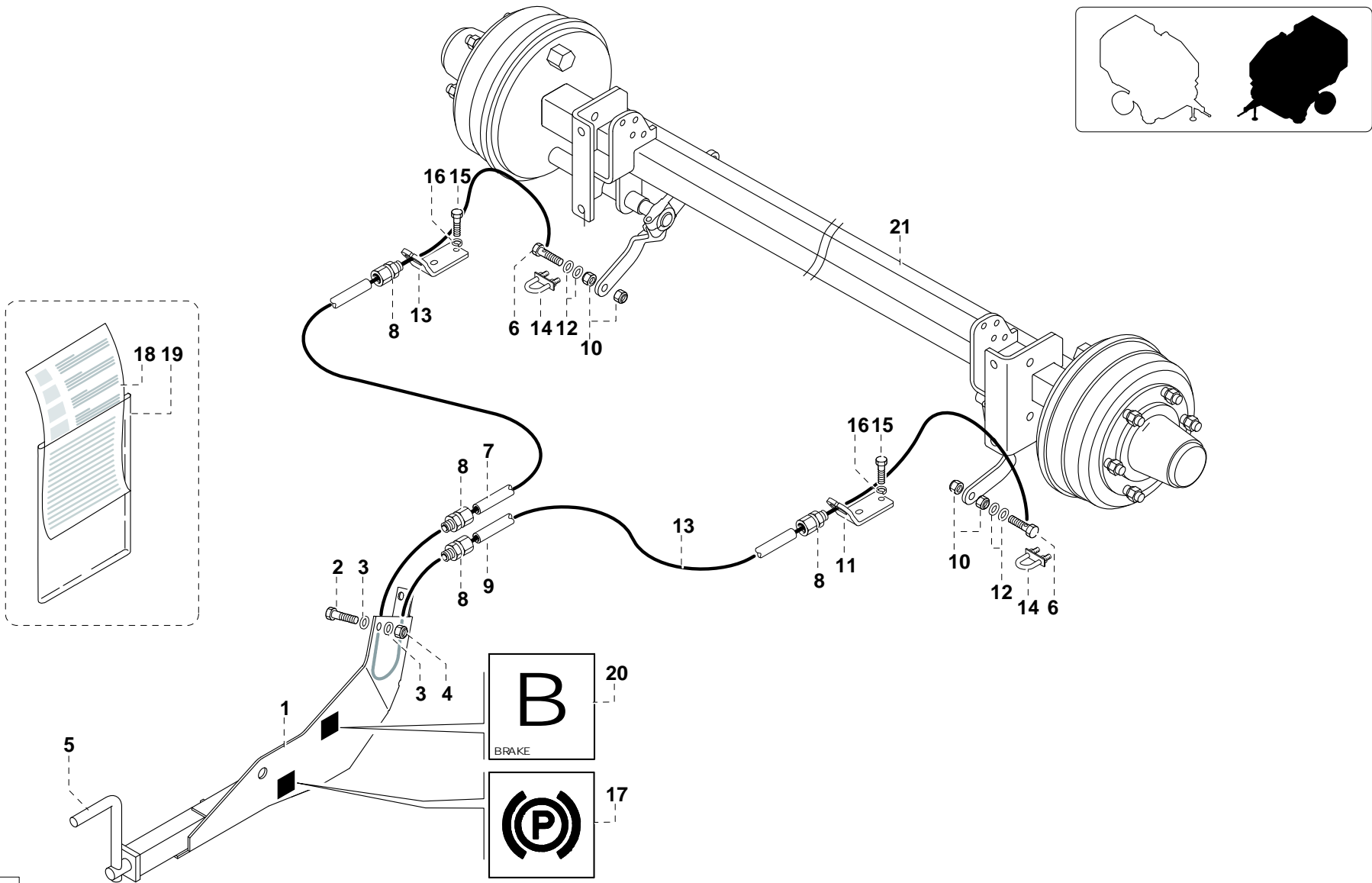


MODELS	
T	■
N	■
NT	■

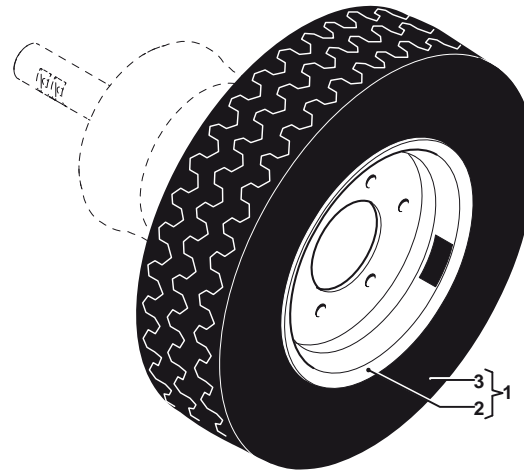
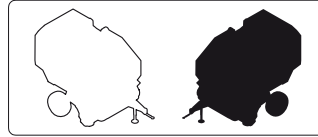




3446718



3946870



500/50-17

CLICK HERE TO **DOWNLOAD** THE COMPLETE MANUAL

- Thank you very much for reading the preview of the manual.
- You can download the complete manual from: www.heydownloads.com by clicking the link below



- Please note: If there is no response to CLICKING the link, please download this PDF first and then click on it.

CLICK HERE TO **DOWNLOAD** THE COMPLETE MANUAL