

GACH52
XL - XLRe - XLR

CATALOGO PARTI DI RICAMBIO

*SPARE PARTS LIST
ERSATZTEILKATALOG
PIECES DE RECHANGE
CATÁLOGO REPUESTOS*

Code	GACH52_SPL	Edition	05-2013
I ▶	SN KB164390	▶ I	

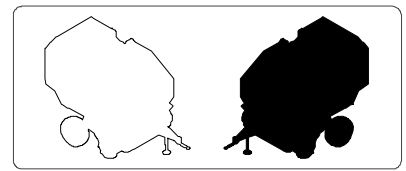
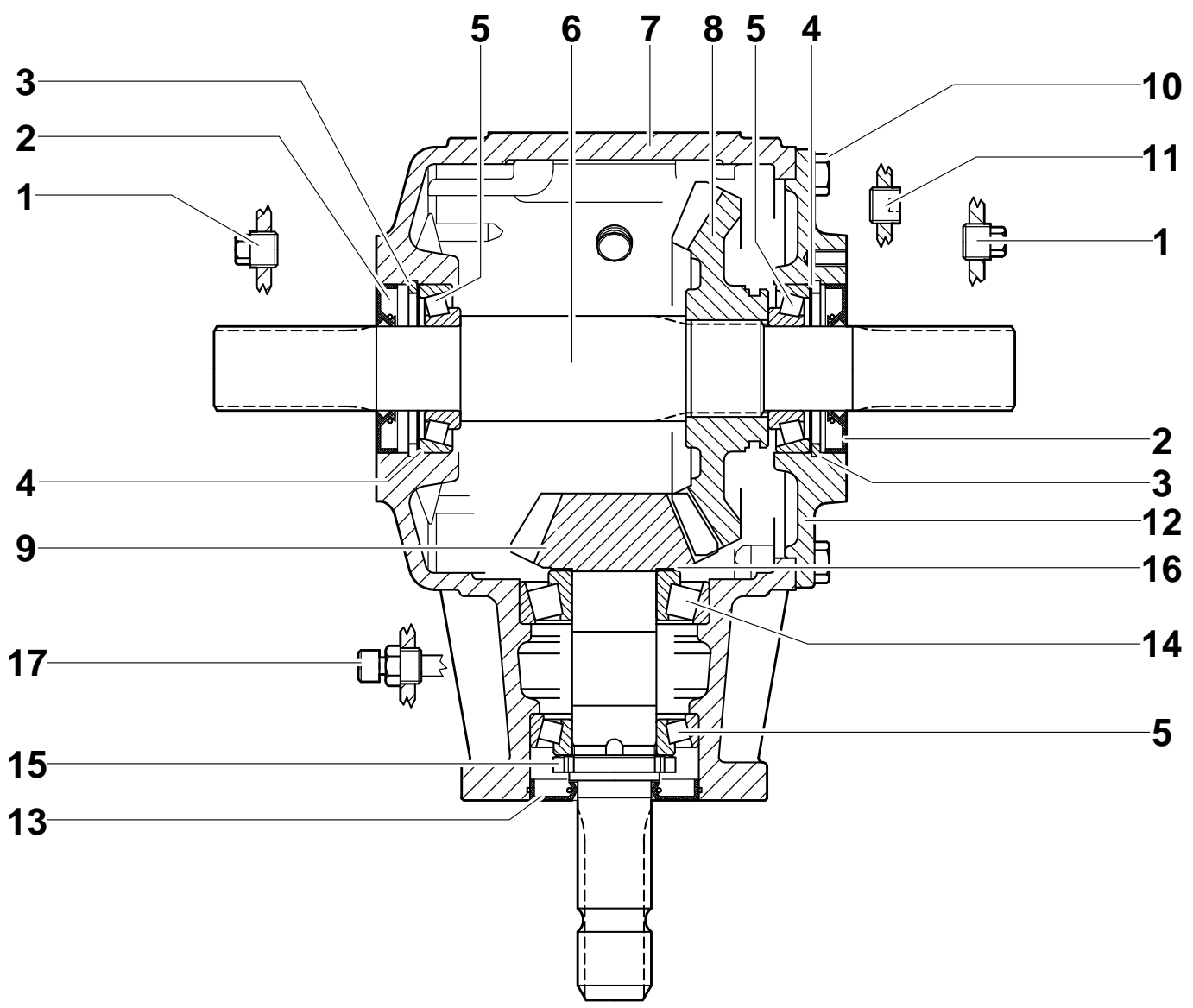
CLICK HERE TO **DOWNLOAD** THE COMPLETE MANUAL

- Thank you very much for reading the preview of the manual.
- You can download the complete manual from: www.heydownloads.com by clicking the link below

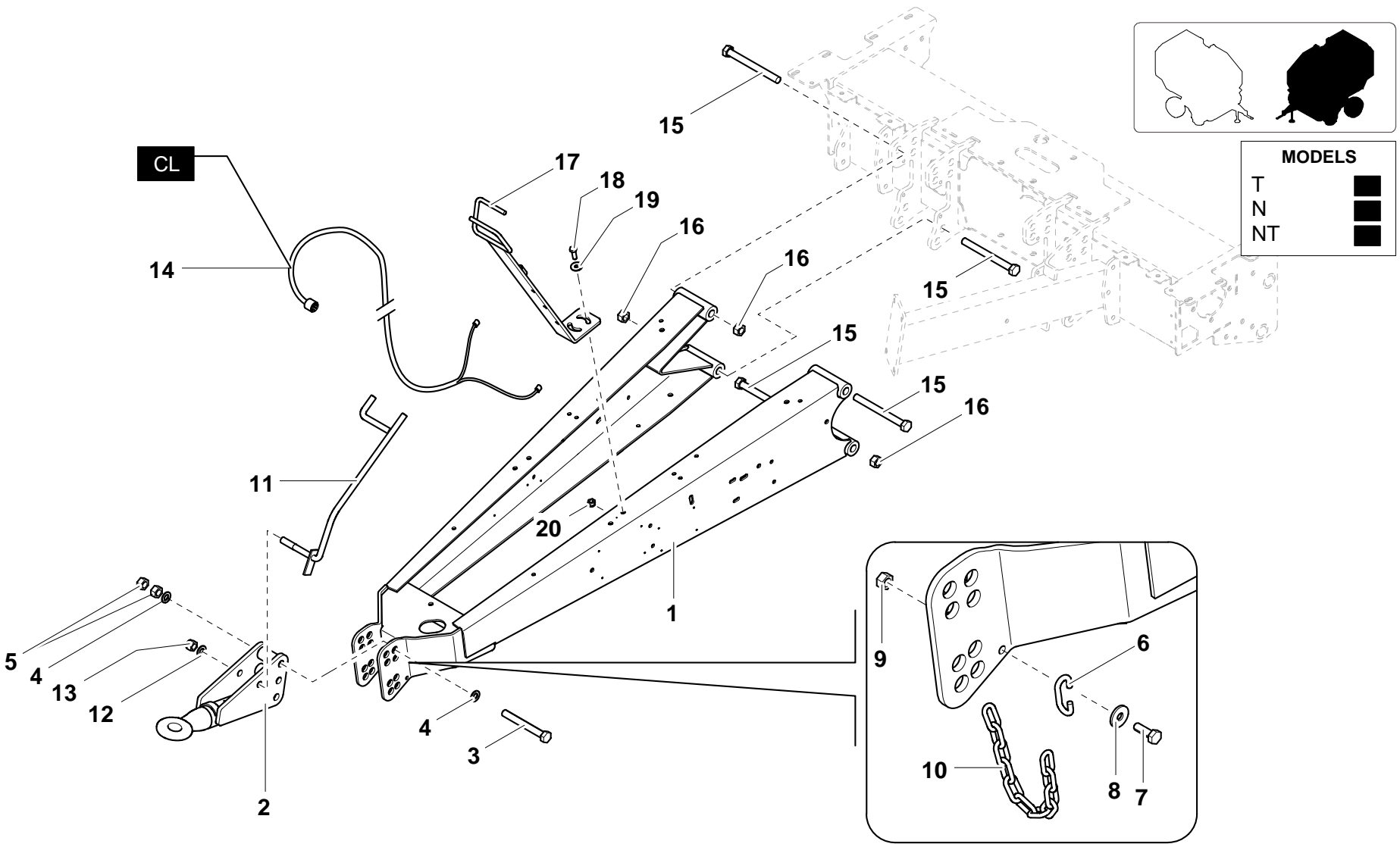


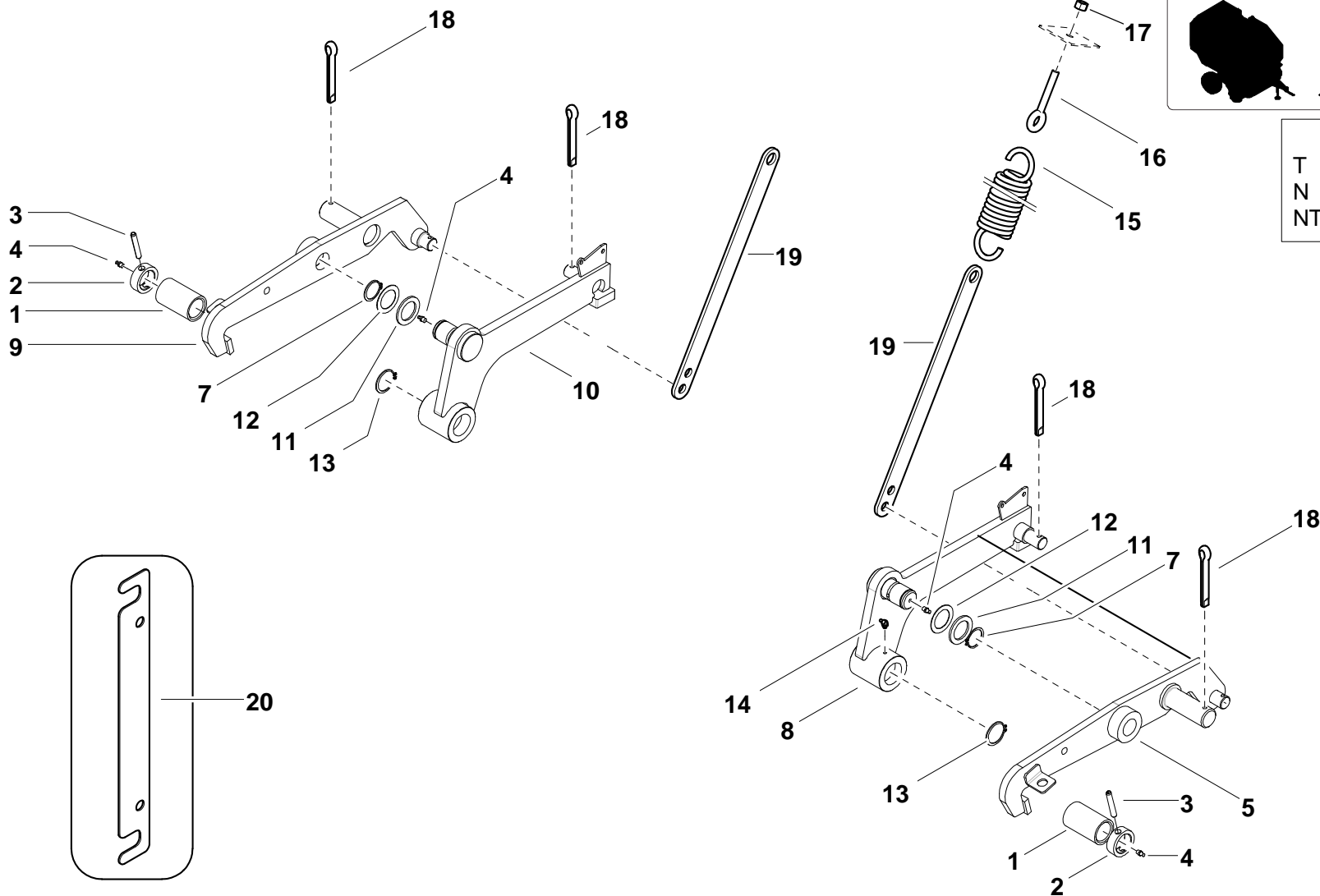
- Please note: If there is no response to CLICKING the link, please download this PDF first and then click on it.

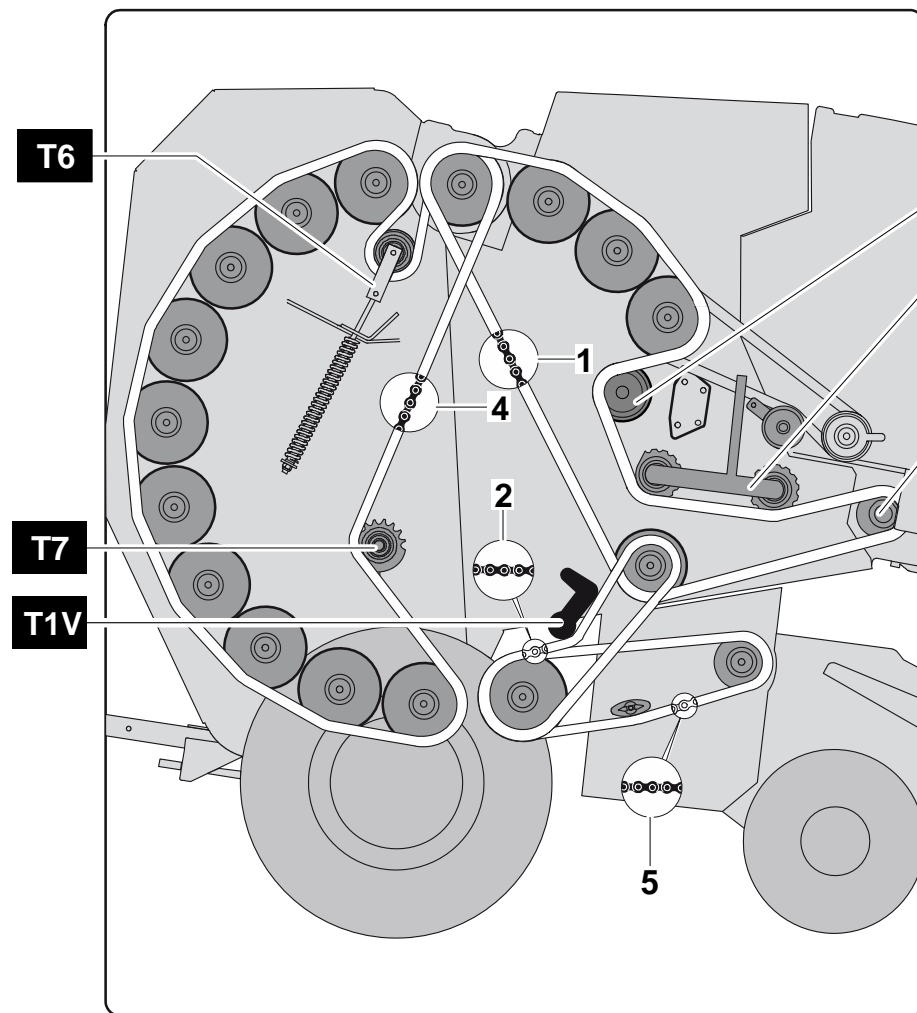
CLICK HERE TO **DOWNLOAD** THE COMPLETE MANUAL



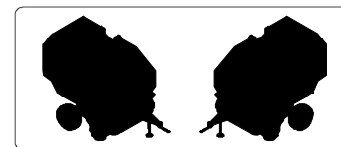
MODELS	
T	■
N	■
NT	■



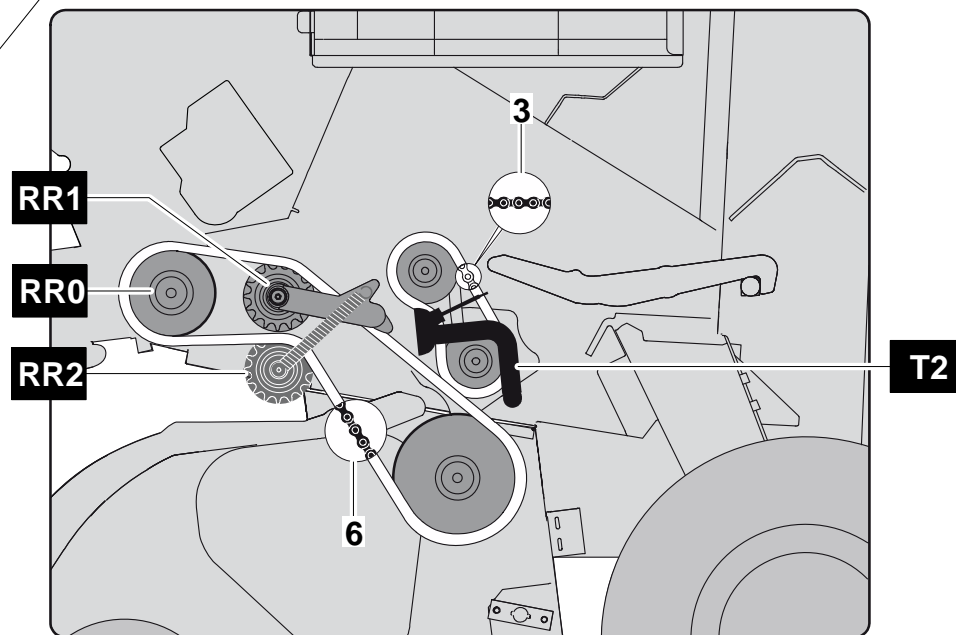


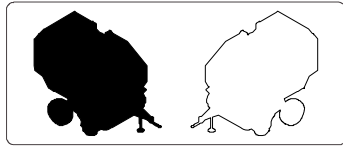


- IT**
- SR**
- RP**

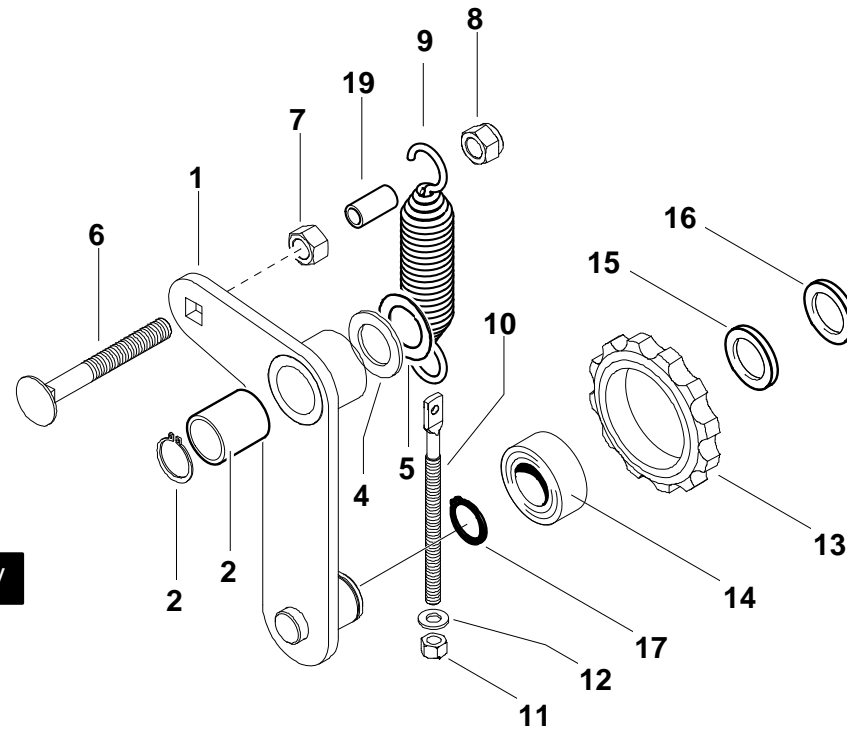


MODELS	
T	■
N	■
NT	■

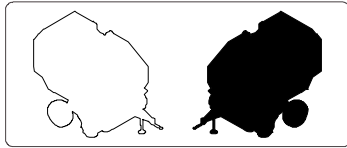




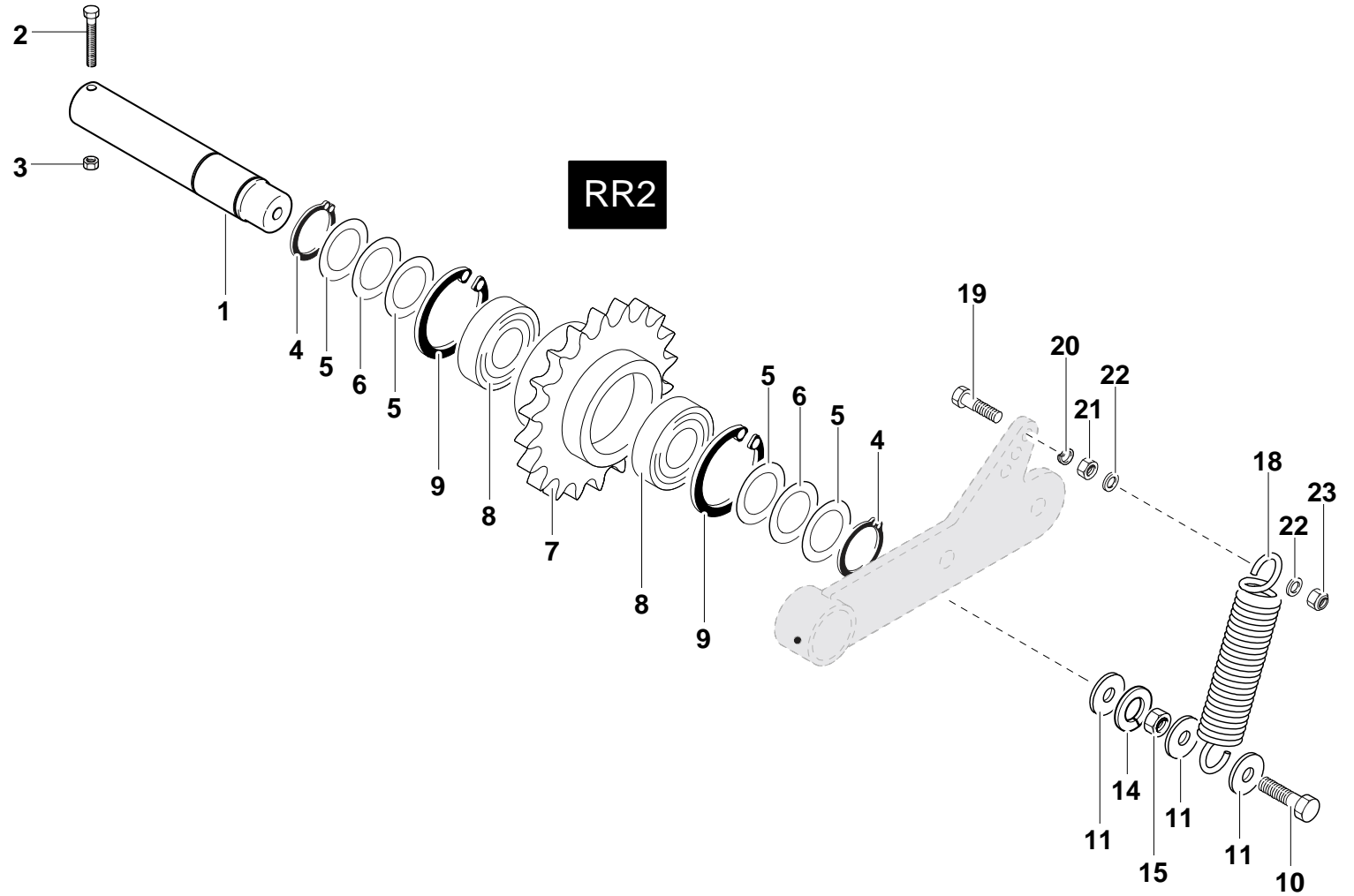
MODELS

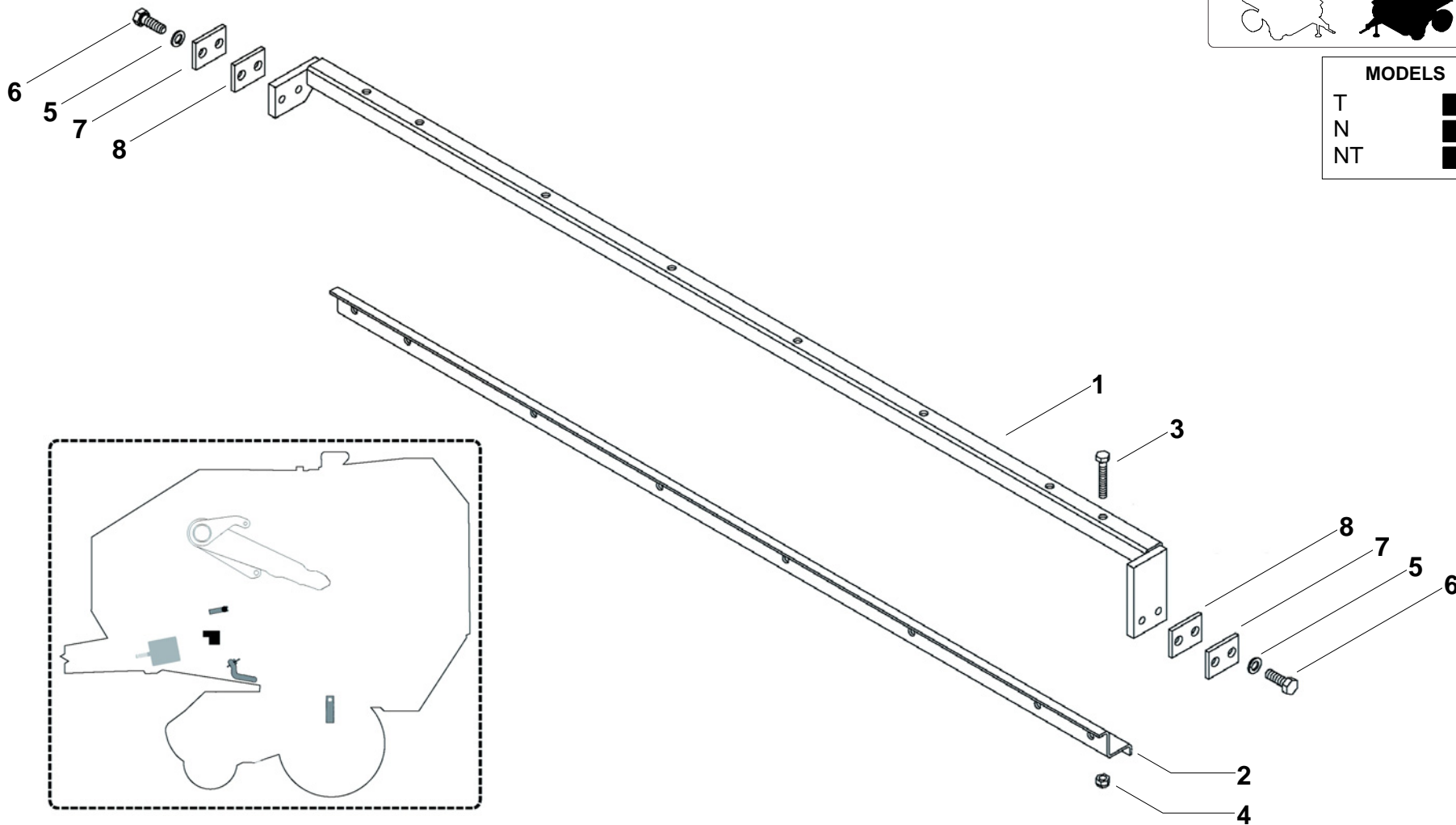
T
N
NT

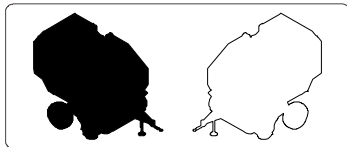
T1V



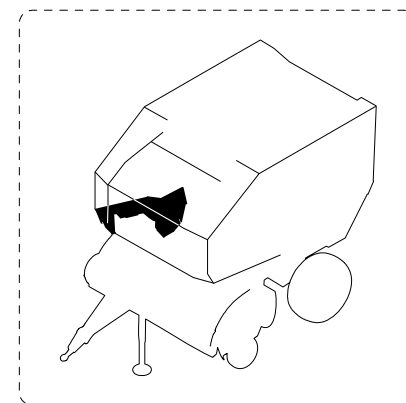
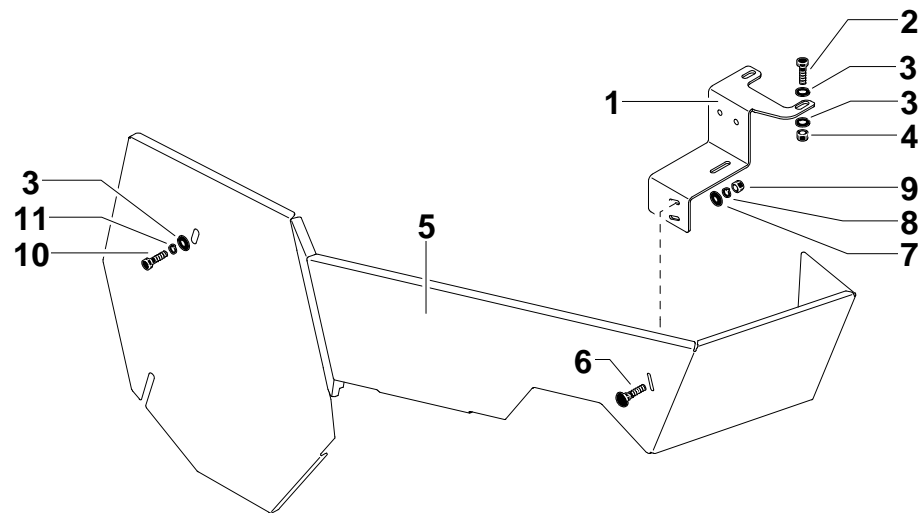
MODELS	
T	<input type="checkbox"/>
N	<input type="checkbox"/>
NT	<input type="checkbox"/>

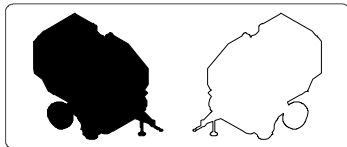






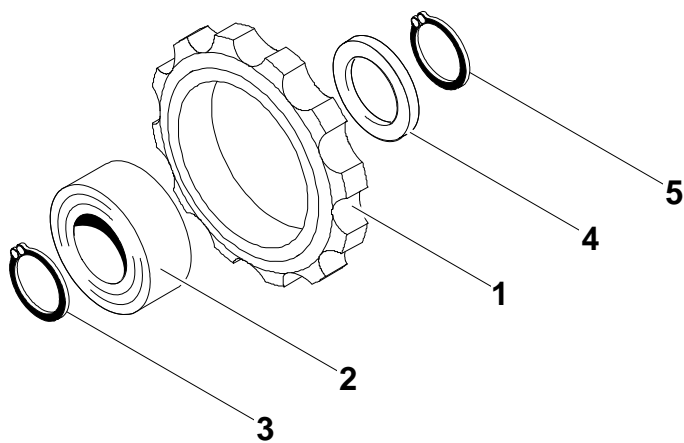
MODELS	
T	■
N	■
NT	■

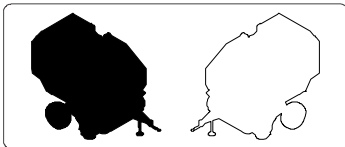




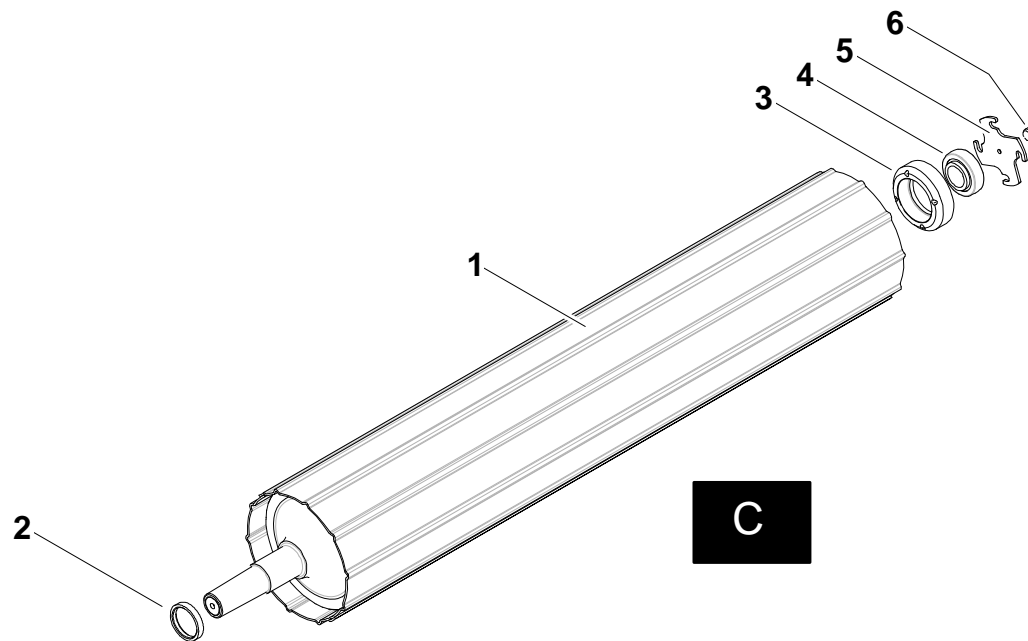
MODELS	
T	■
N	■
NT	■

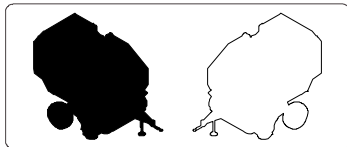
IT



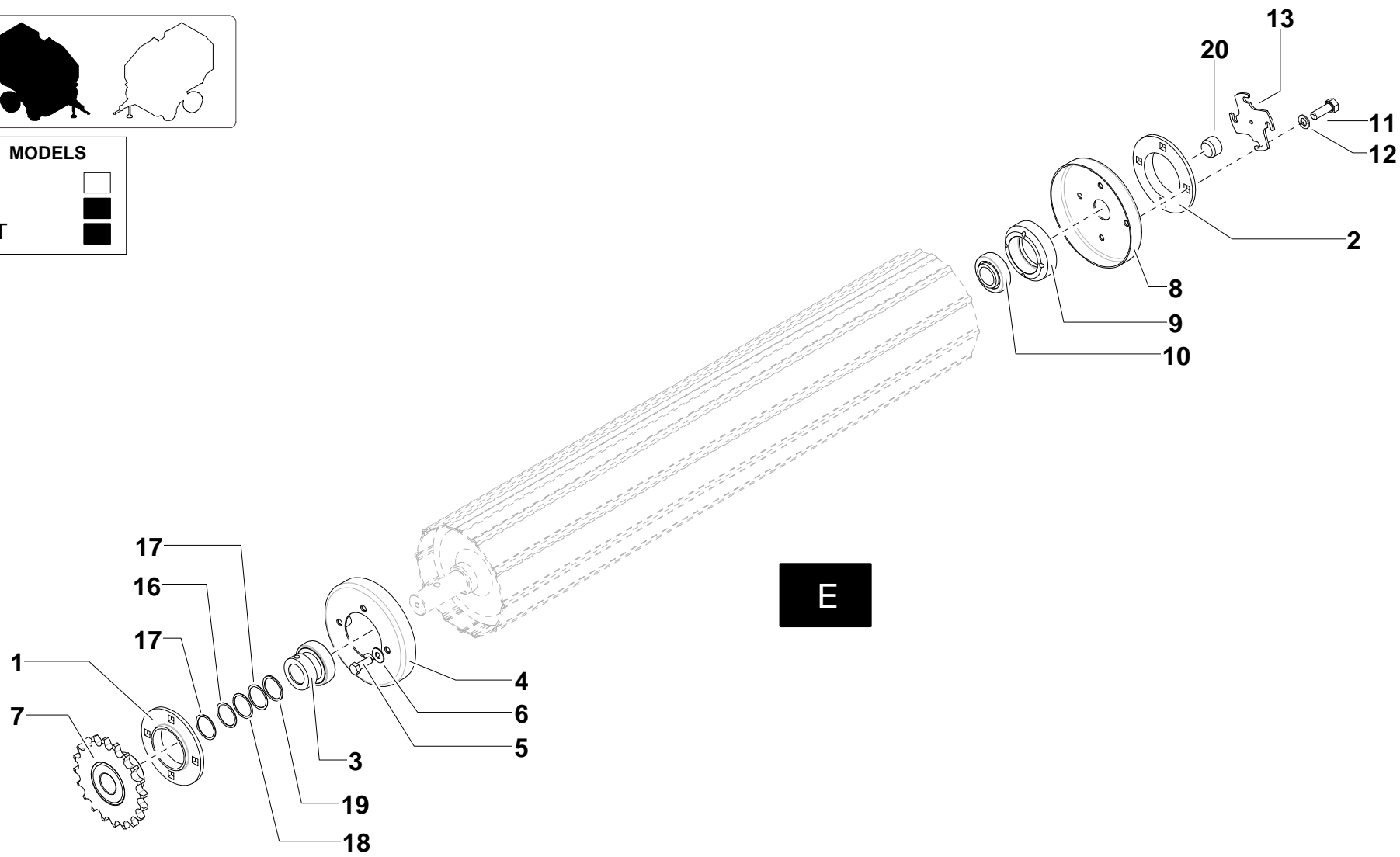


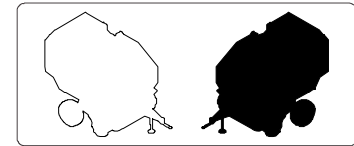
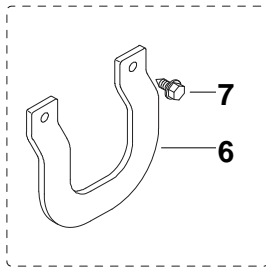
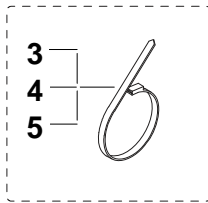
MODELS	
T	<input type="checkbox"/>
N	<input checked="" type="checkbox"/>
NT	<input checked="" type="checkbox"/>



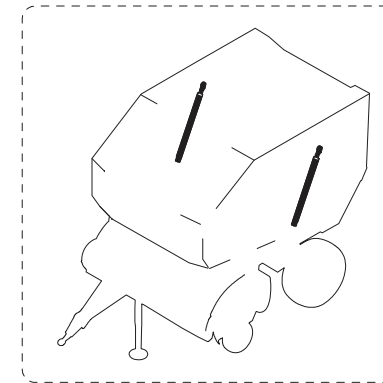
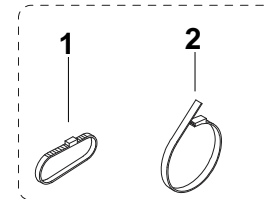
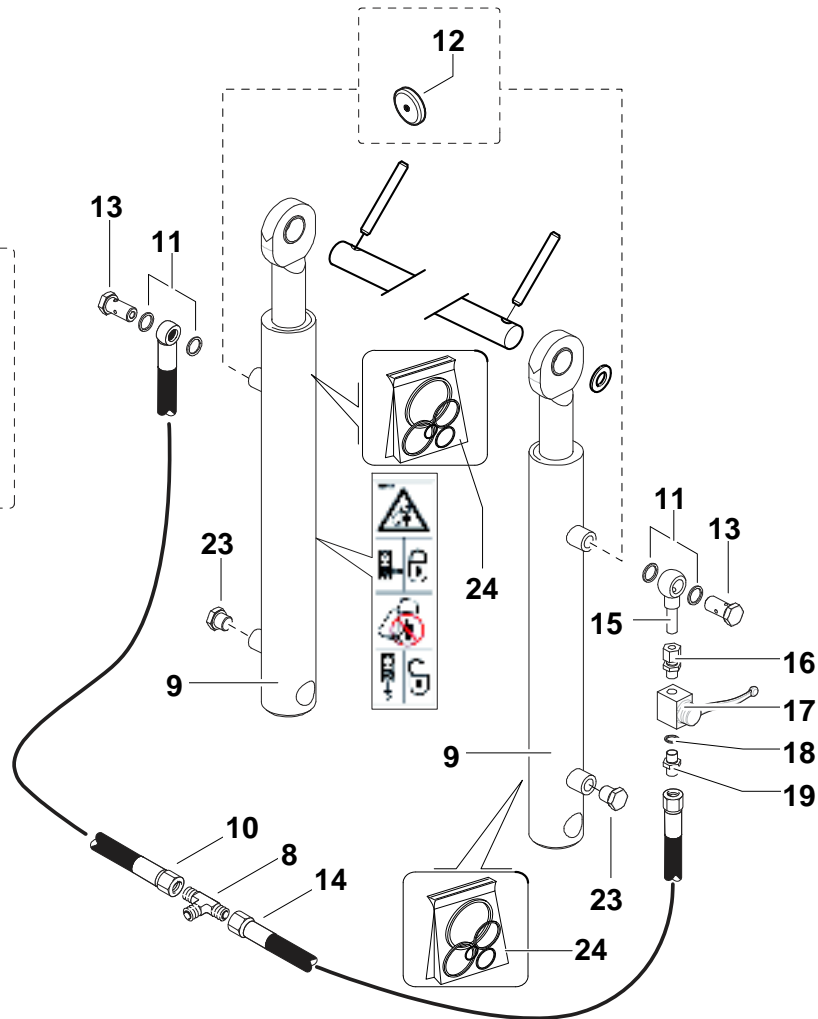


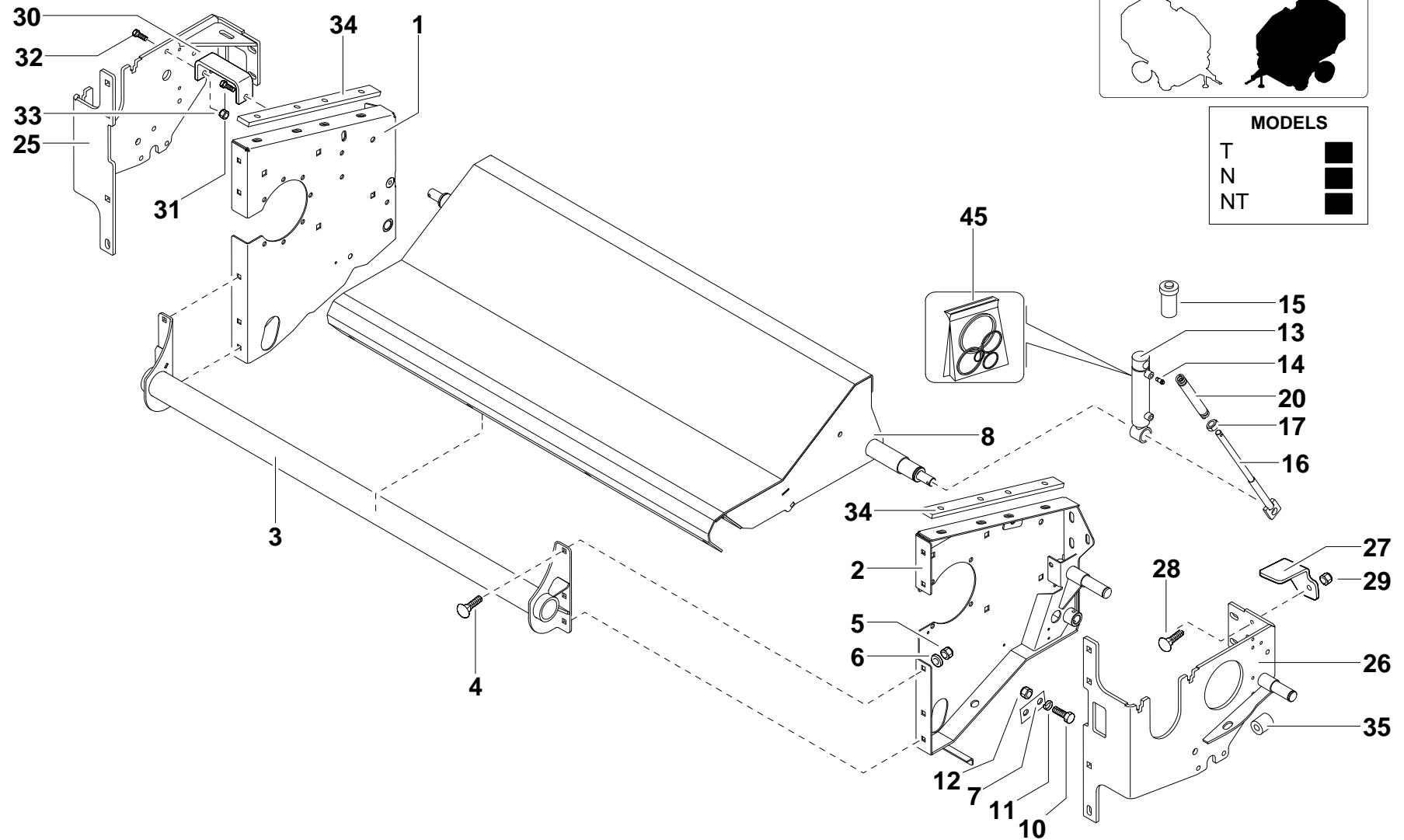
MODELS	
T	<input type="checkbox"/>
N	<input type="checkbox"/>
NT	<input type="checkbox"/>

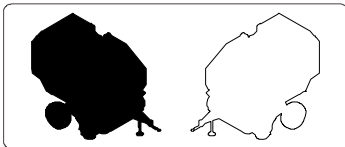




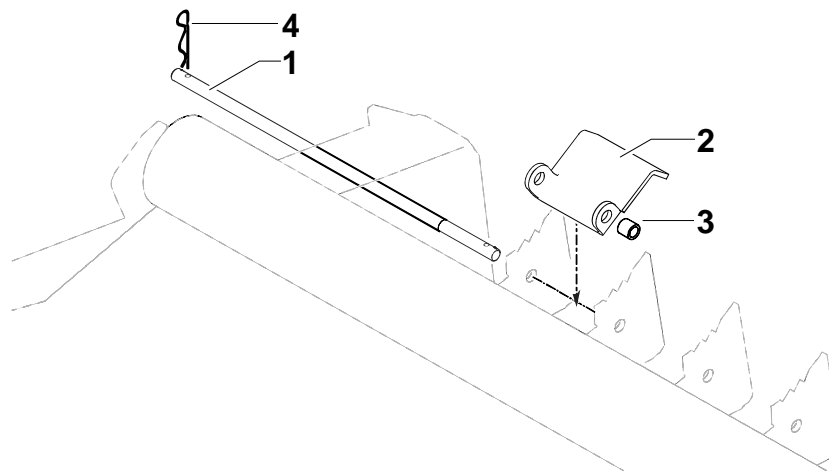
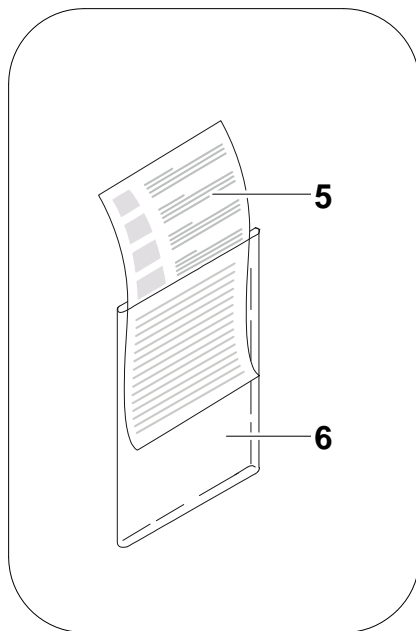
MODELS	
T	■
N	■
NT	■







MODELS	
T	■
N	■
NT	■



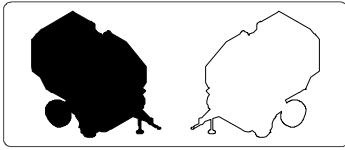
CLICK HERE TO **DOWNLOAD** THE COMPLETE MANUAL

- Thank you very much for reading the preview of the manual.
- You can download the complete manual from: www.heydownloads.com by clicking the link below

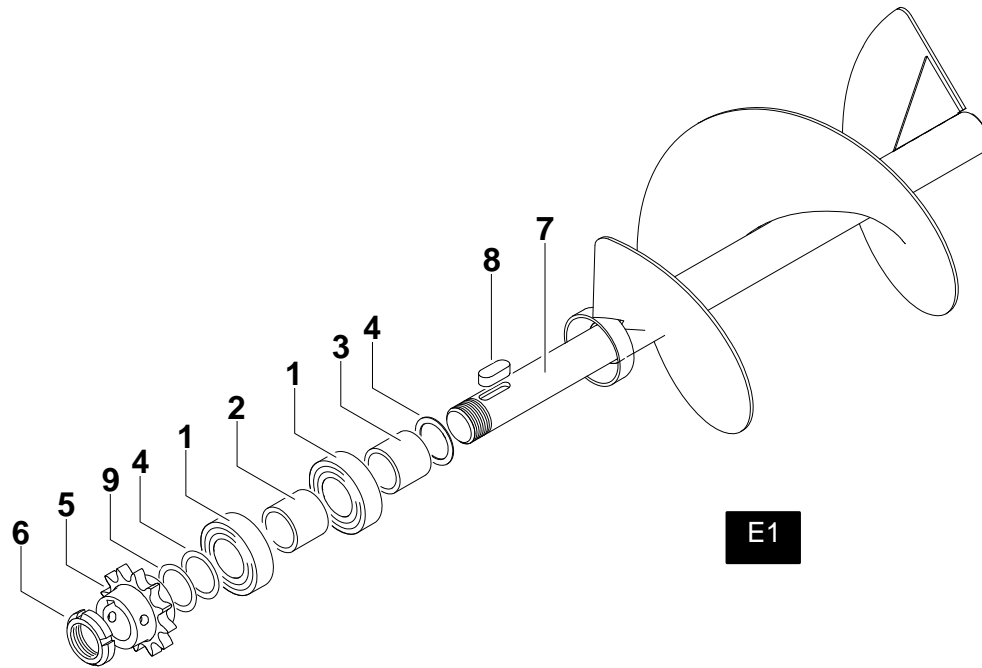


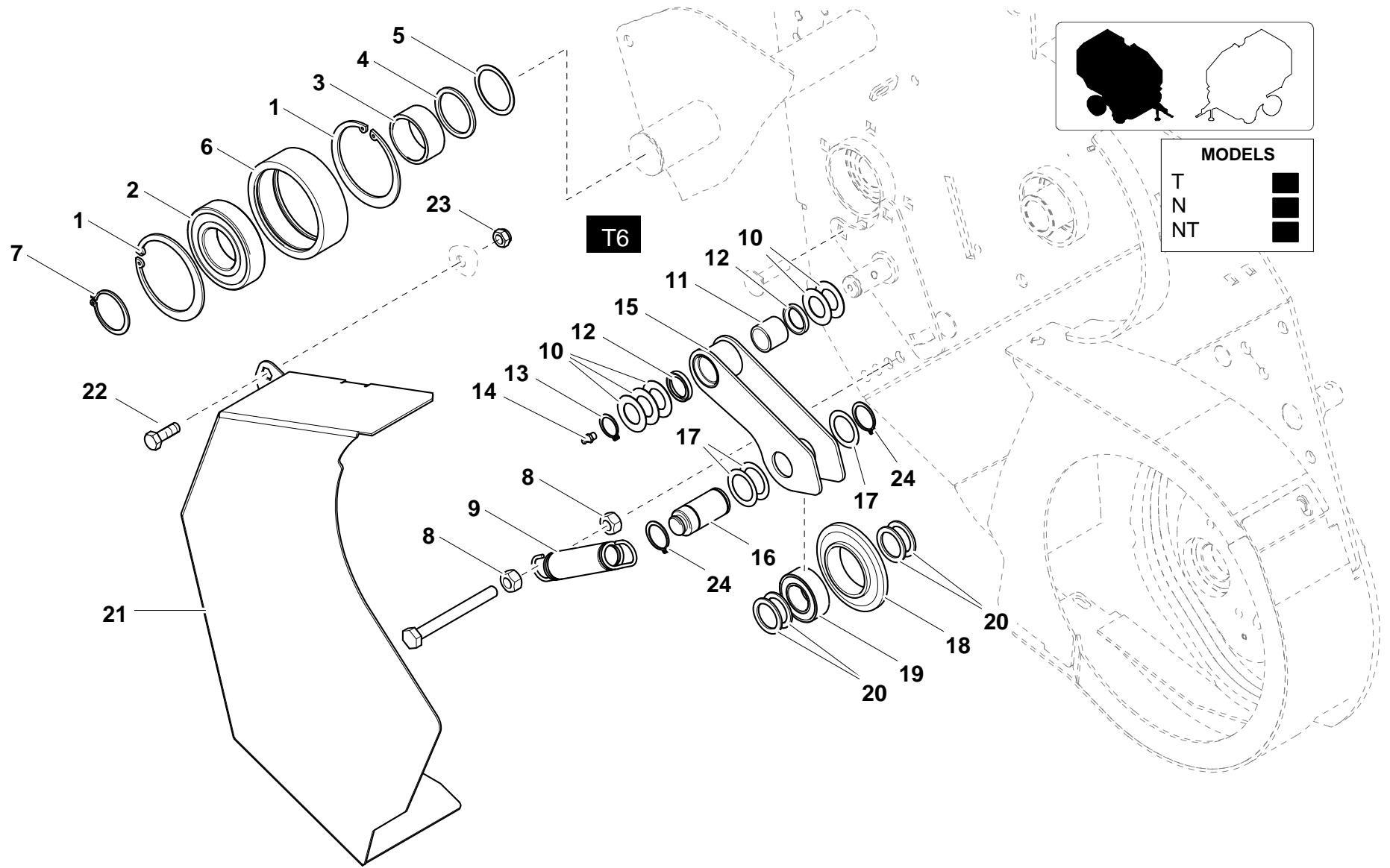
- Please note: If there is no response to CLICKING the link, please download this PDF first and then click on it.

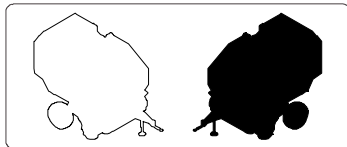
CLICK HERE TO **DOWNLOAD** THE COMPLETE MANUAL



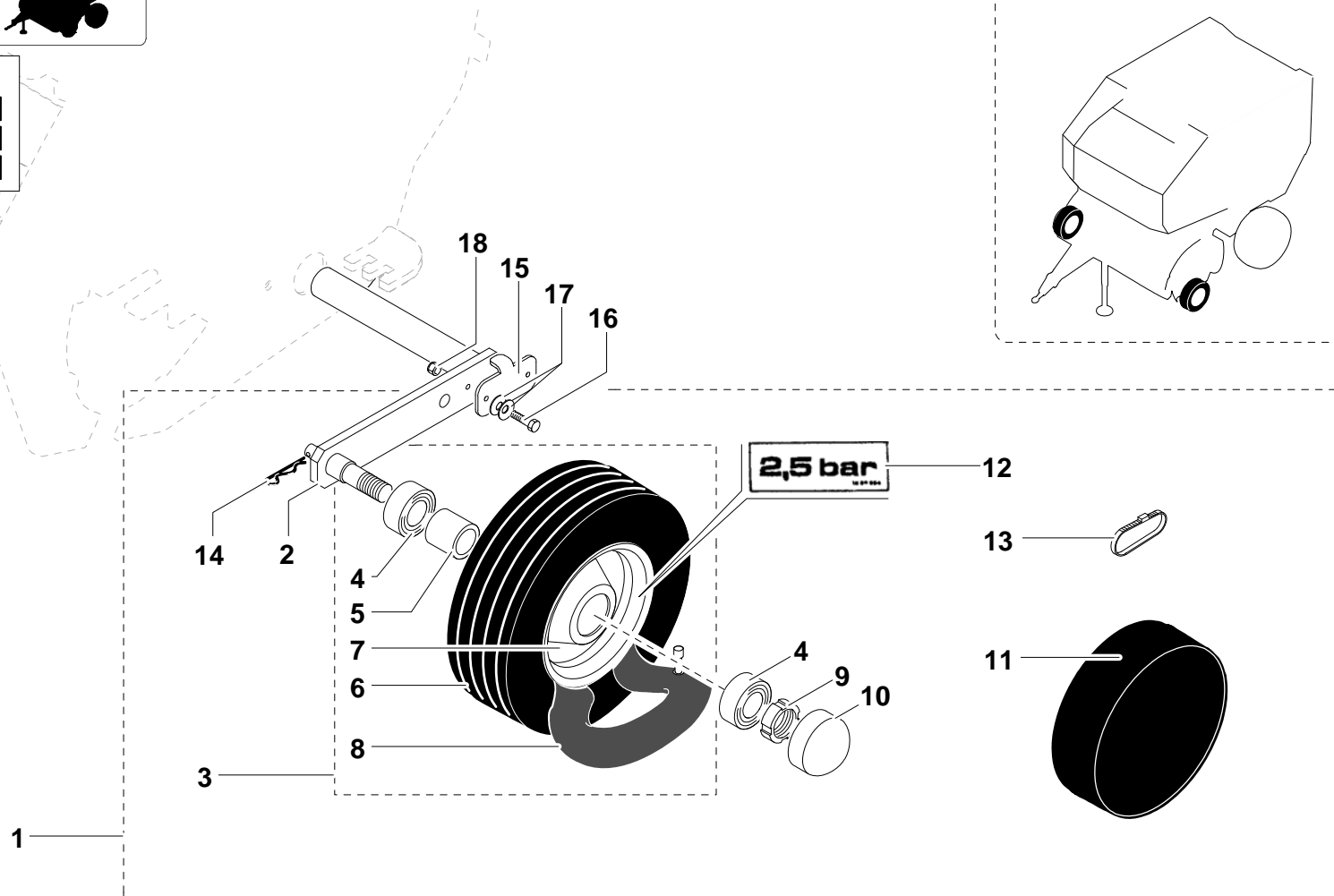
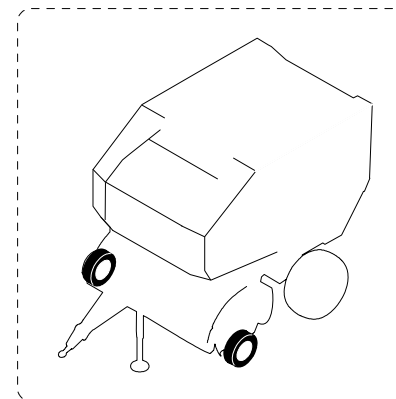
MODELS	
T	■
N	■
NT	■

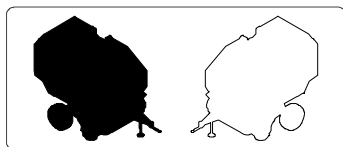






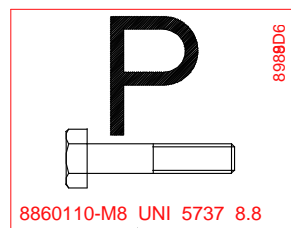
MODELS	
T	■
N	■
NT	■



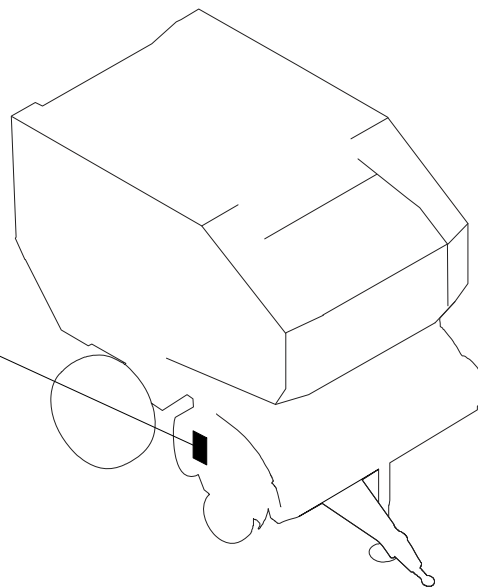


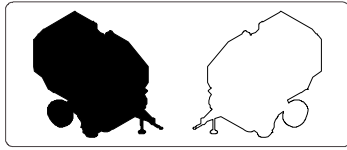
MODELS

T
N
NT

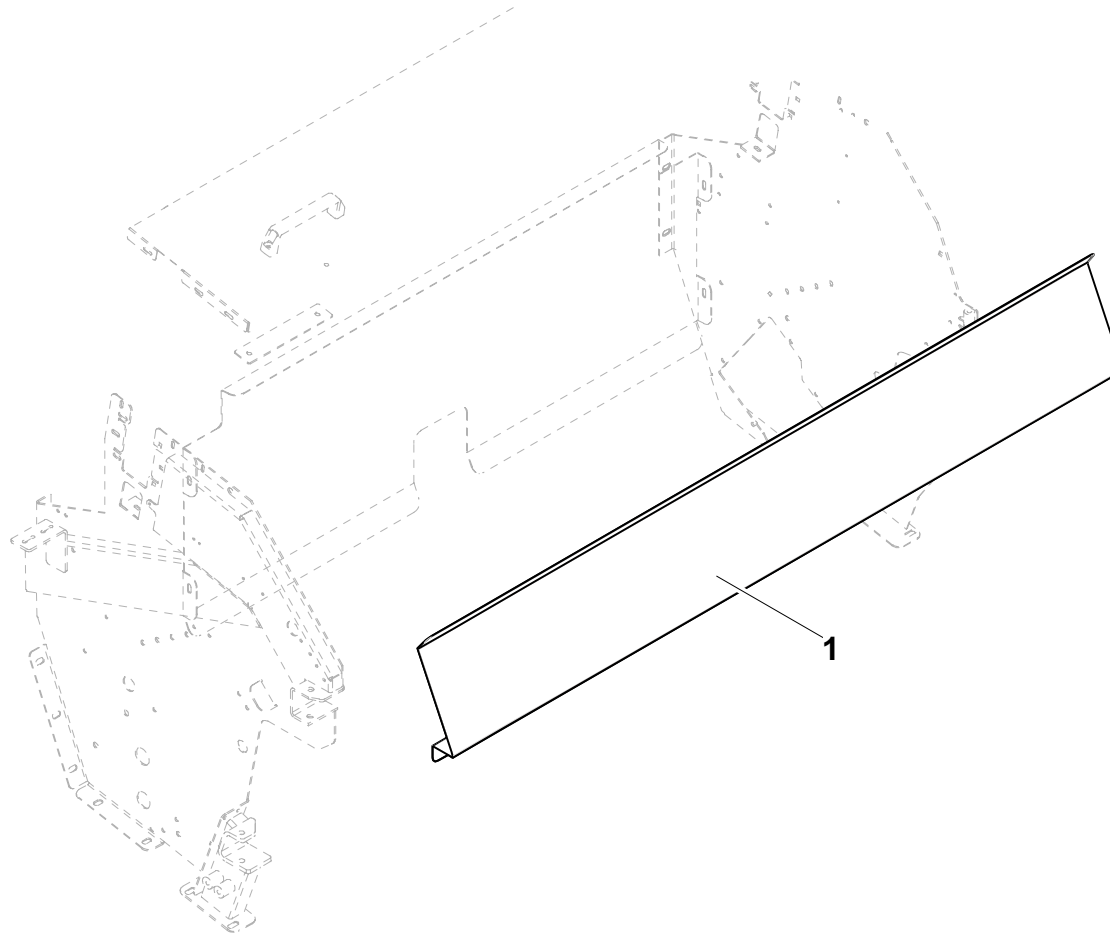


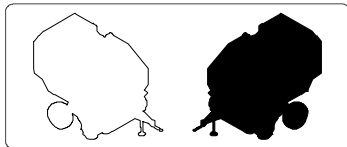
1



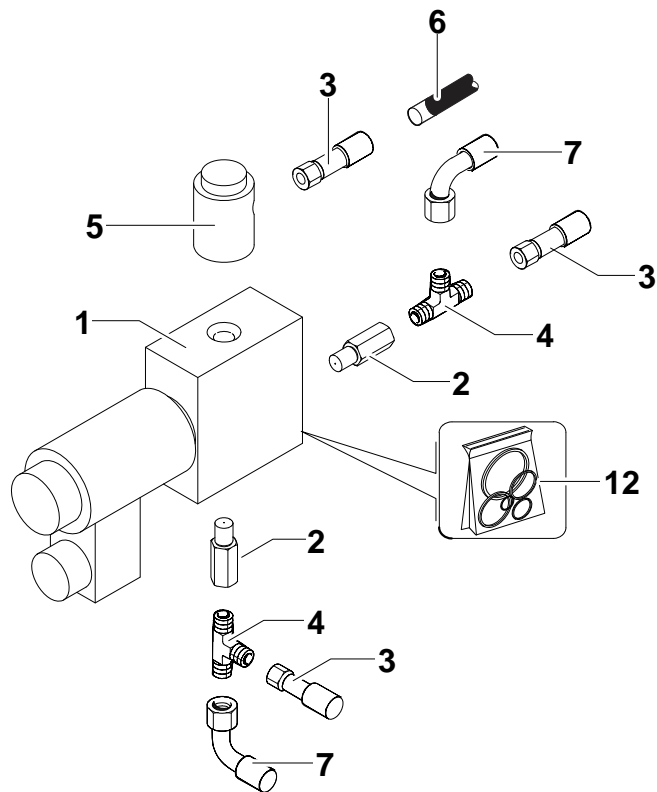


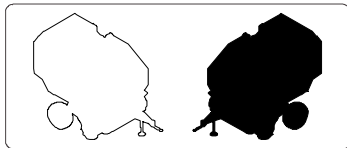
MODELS	
T	■
N	■
NT	■






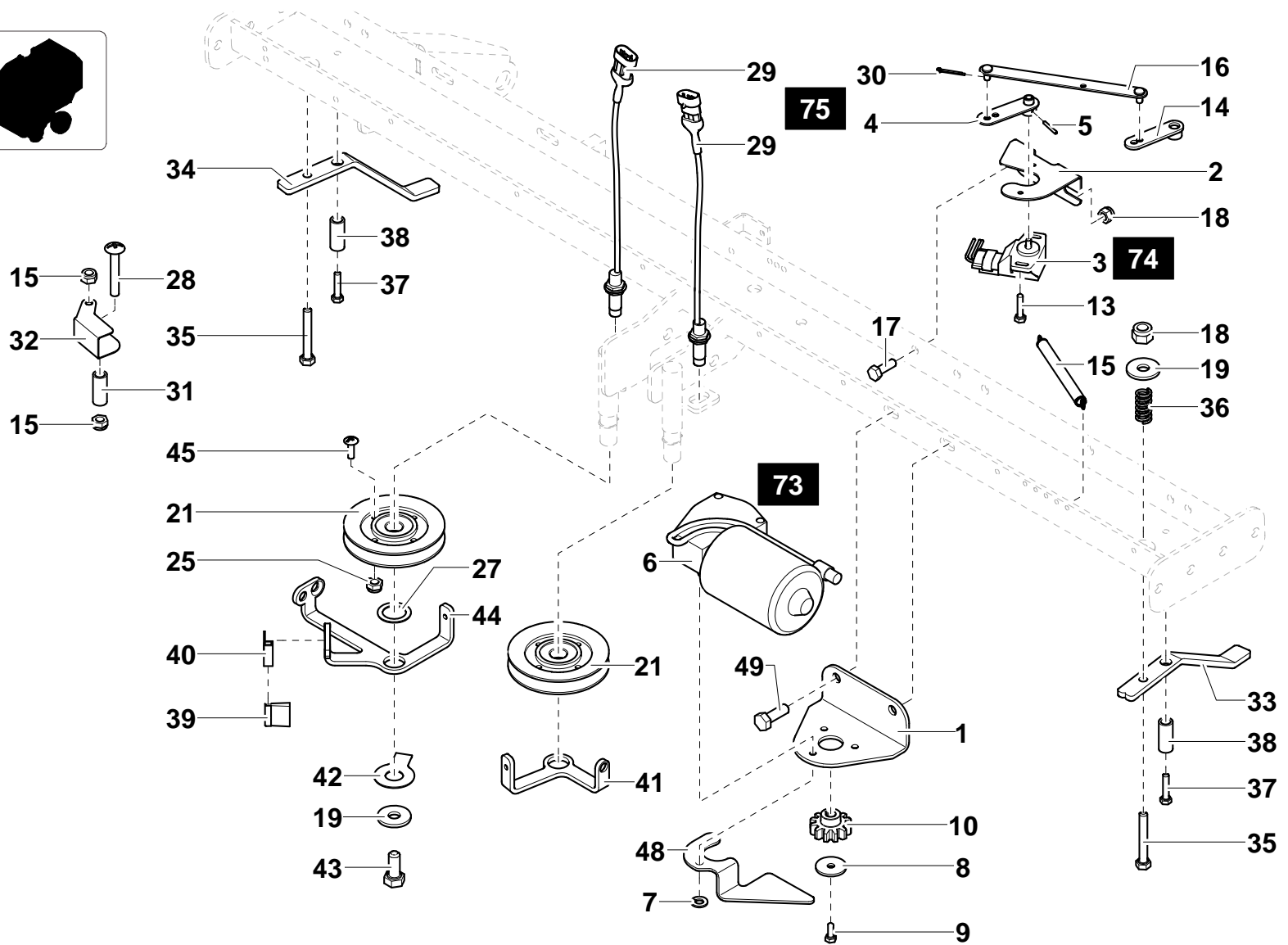


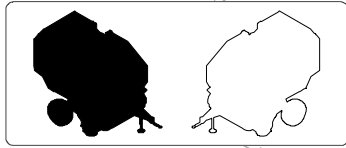
MODELS	
T	■
N	■
NT	■



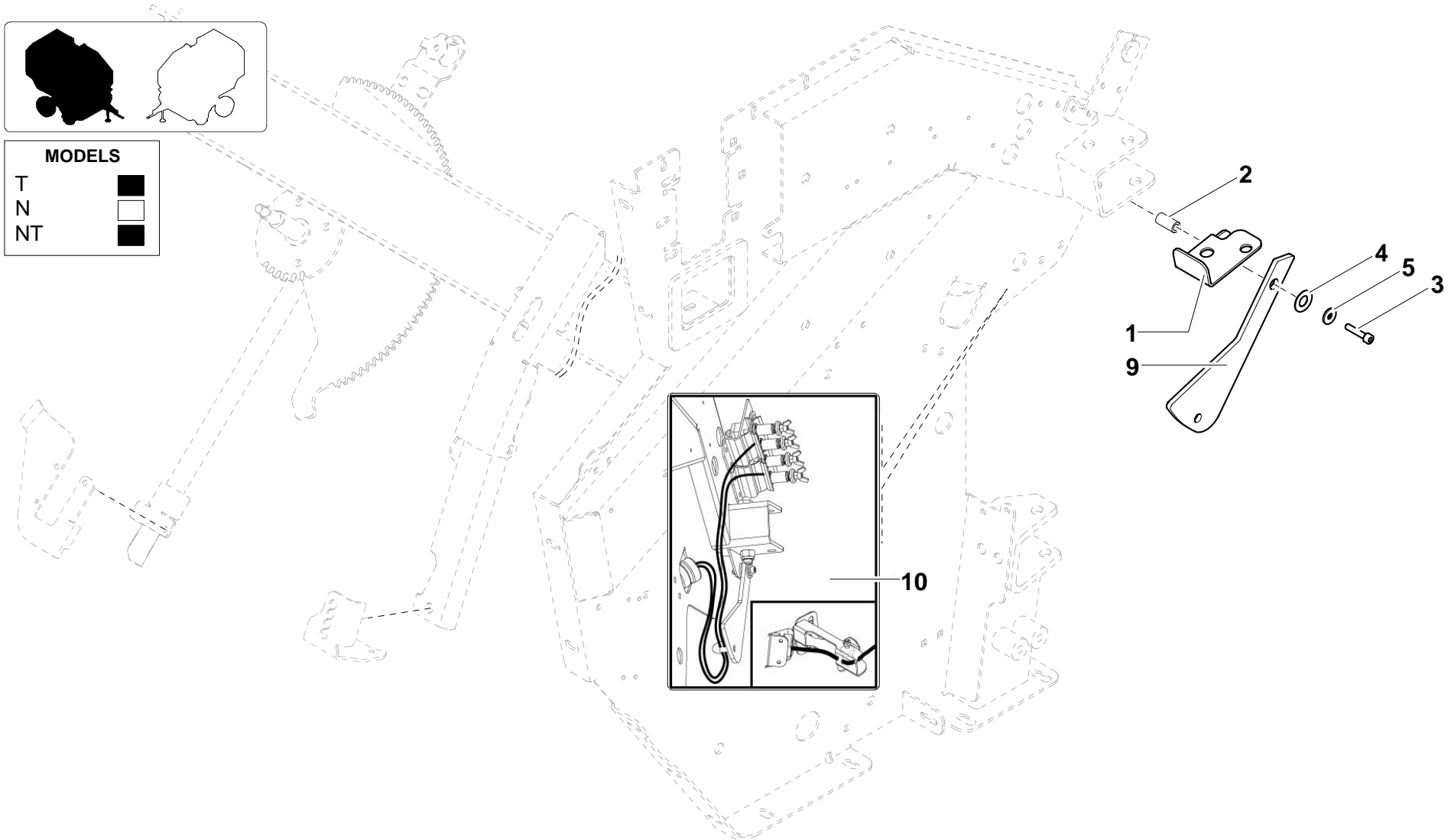


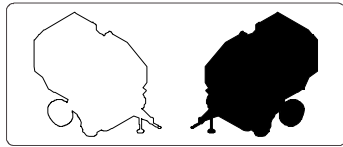
MODELS	
T	
N	
NT	





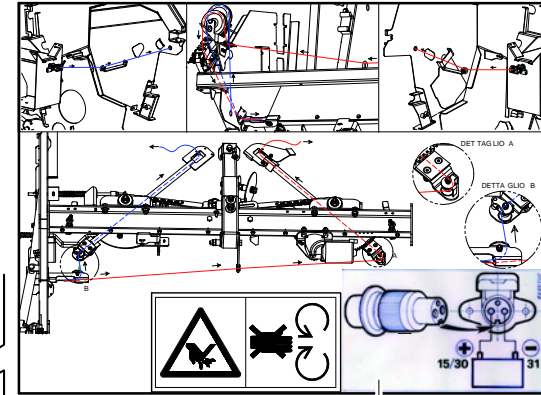
MODELS	
T	■
N	□
NT	■





MODELS

T	■
N	■
NT	■



2

RIF.CICLO _____

CONTROLLATO

Data _____ Visto _____

M. 260d.00

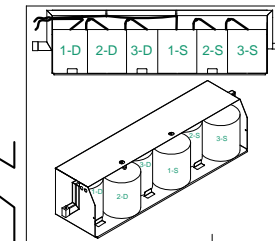
3

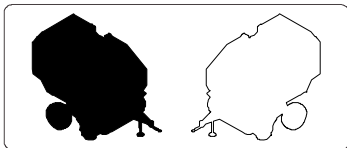
SPAGO PER LEGATURA
 FICELLE DE LIAGE
 TYING TWINE
 CUERDA POR ATADC
 GARN FUR BINDUNG

SINTETICO RAGNATO
 FICELLE PLASTIQUE RECHE
 ROUGH PLASTIC TWINE
 SINTETICO RAIDO
 KUNSTOFFNETZGARN

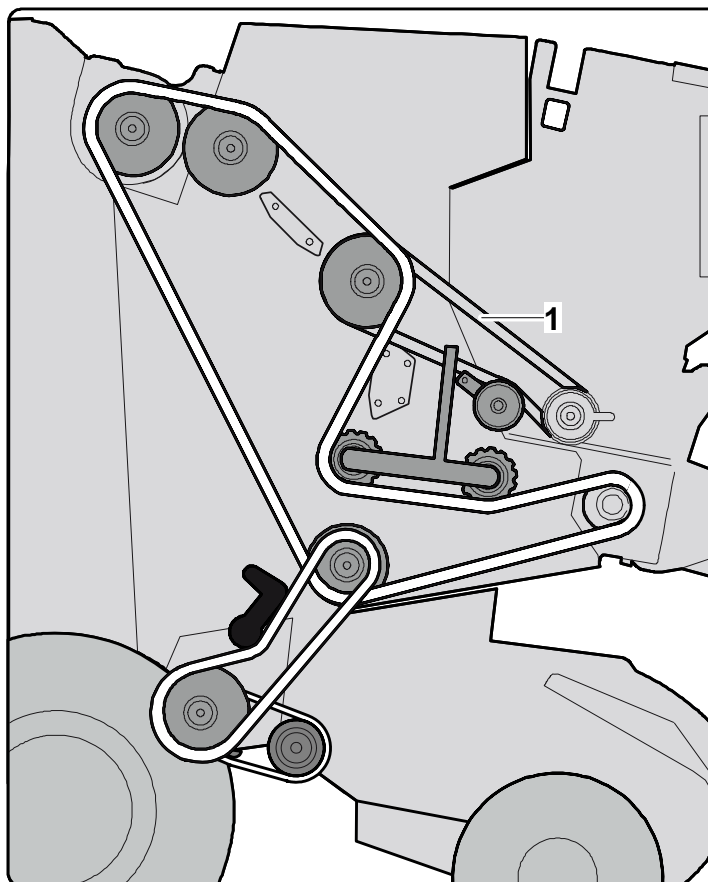
500 $\frac{m}{Kg}$ 800m/Kg
 (75 ϕ 1200 ft/lb)

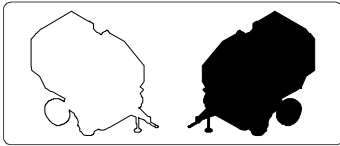
ES 201929



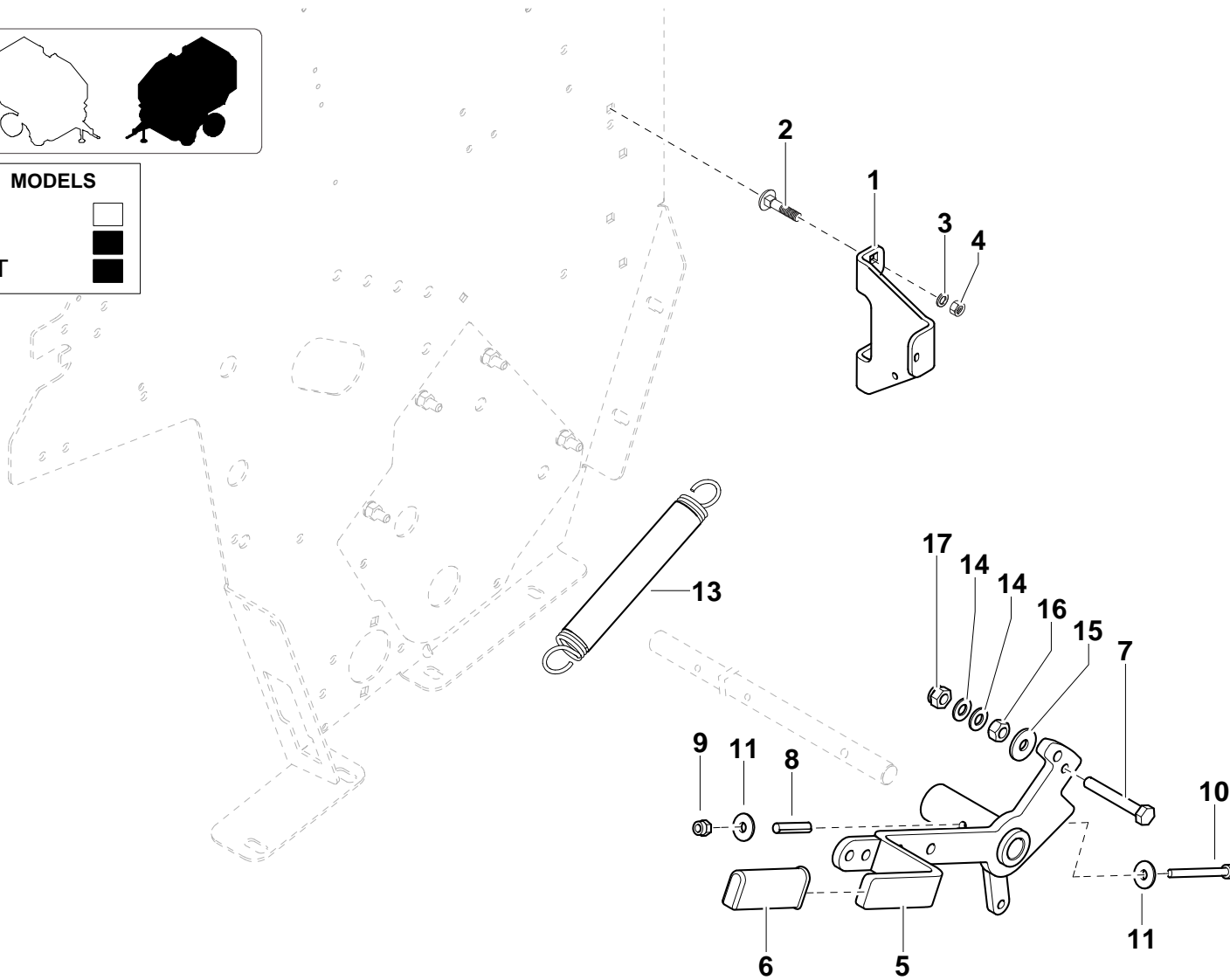


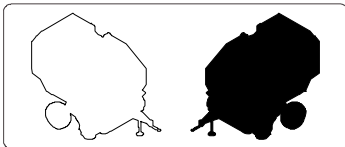
MODELS	
T	<input type="checkbox"/>
N	<input checked="" type="checkbox"/>
NT	<input checked="" type="checkbox"/>





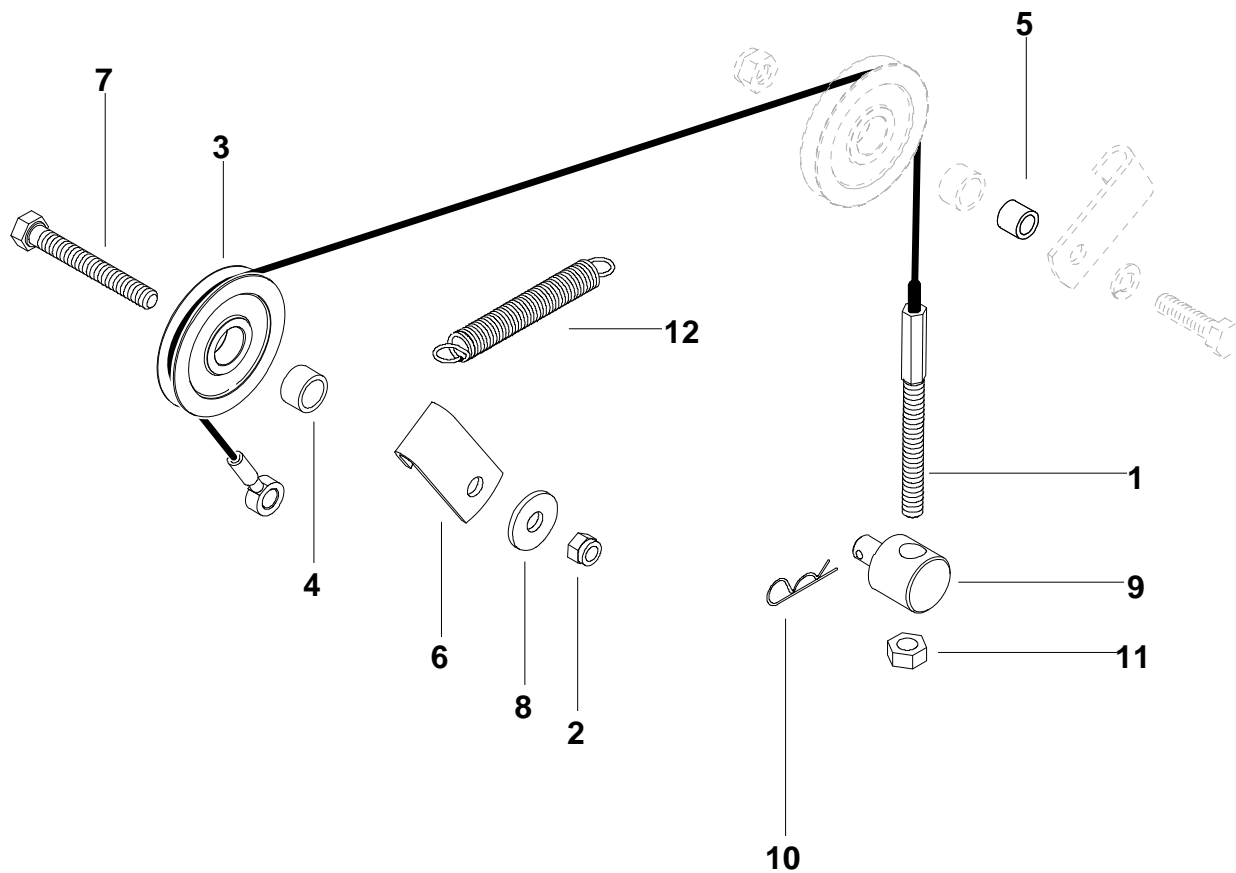
MODELS	
T	<input type="checkbox"/>
N	<input checked="" type="checkbox"/>
NT	<input checked="" type="checkbox"/>

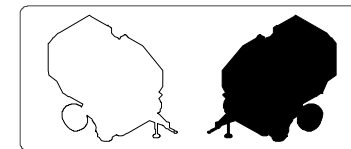
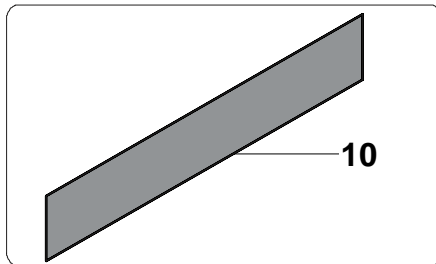
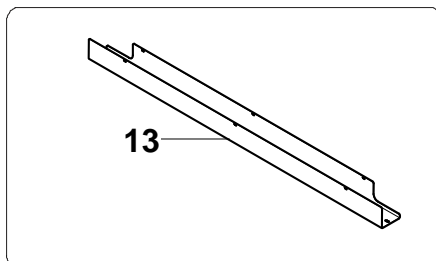
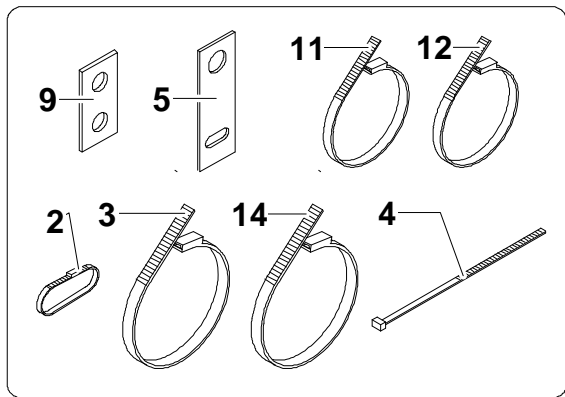




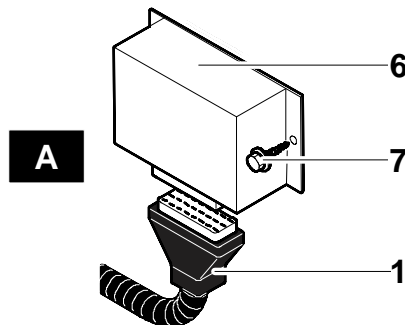
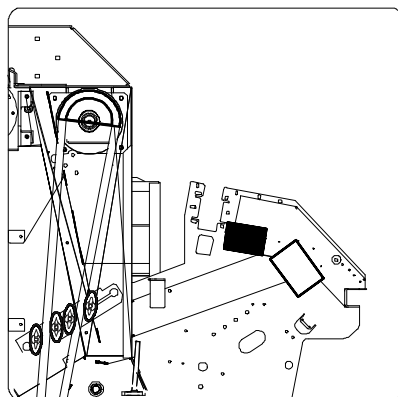
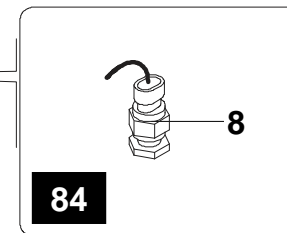
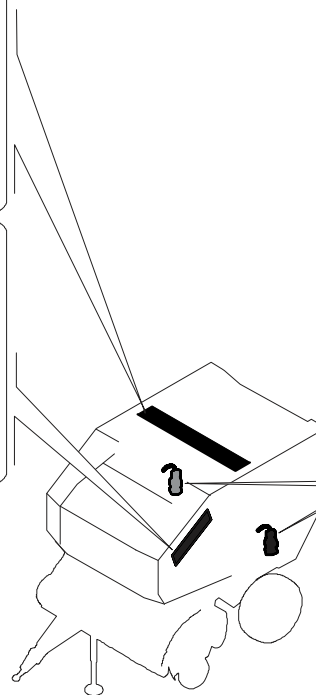
MODELS	
T	<input type="checkbox"/>
N	<input checked="" type="checkbox"/>
NT	<input checked="" type="checkbox"/>

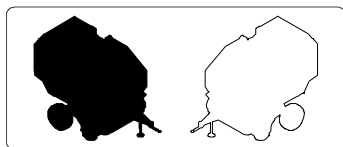
NET KNIFE EXTENSION KIT





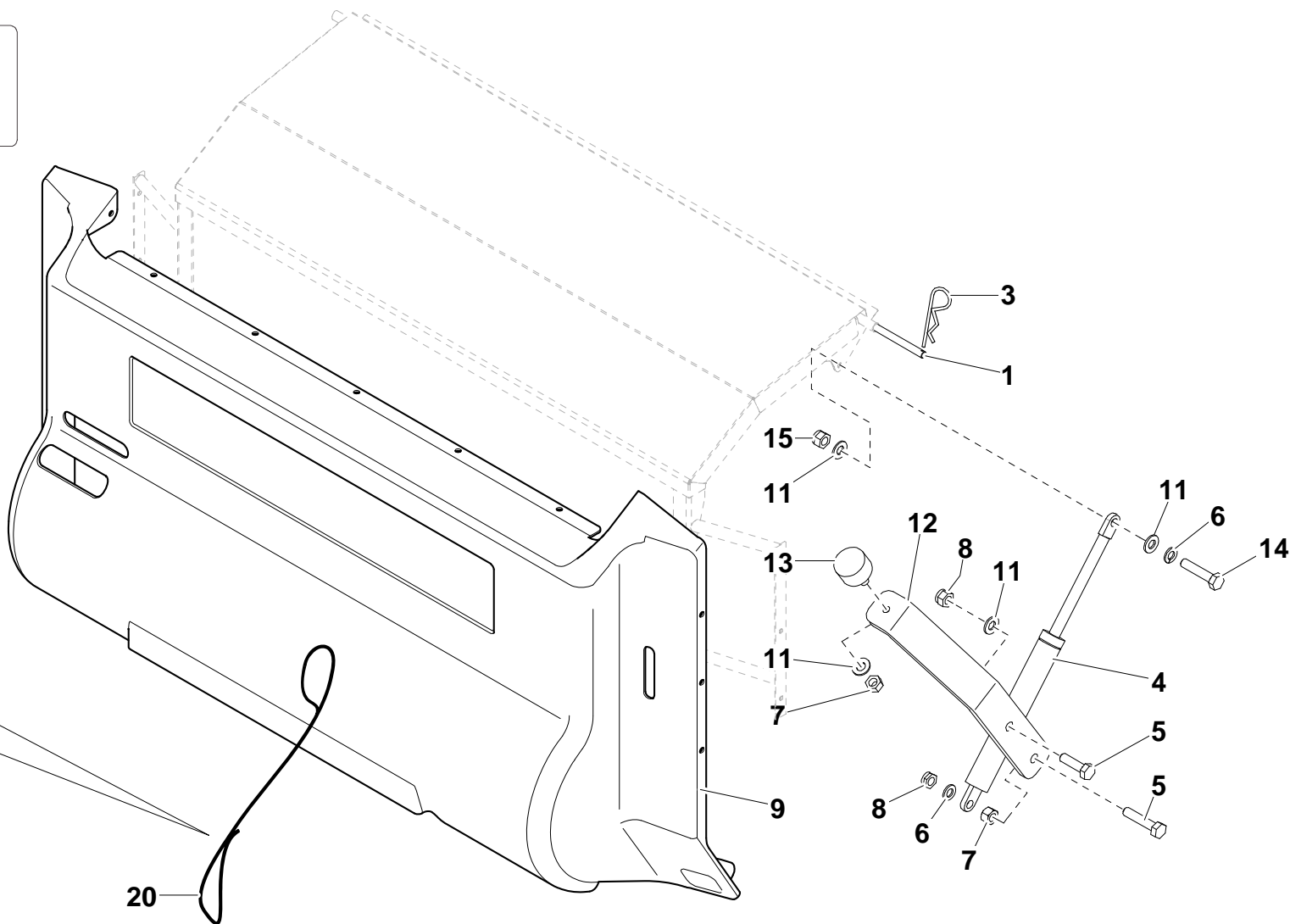
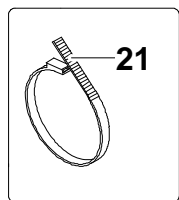
MODELS	
T	■
N	■
NT	■

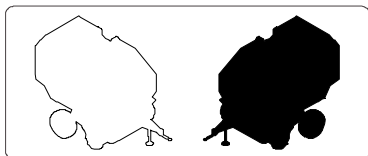




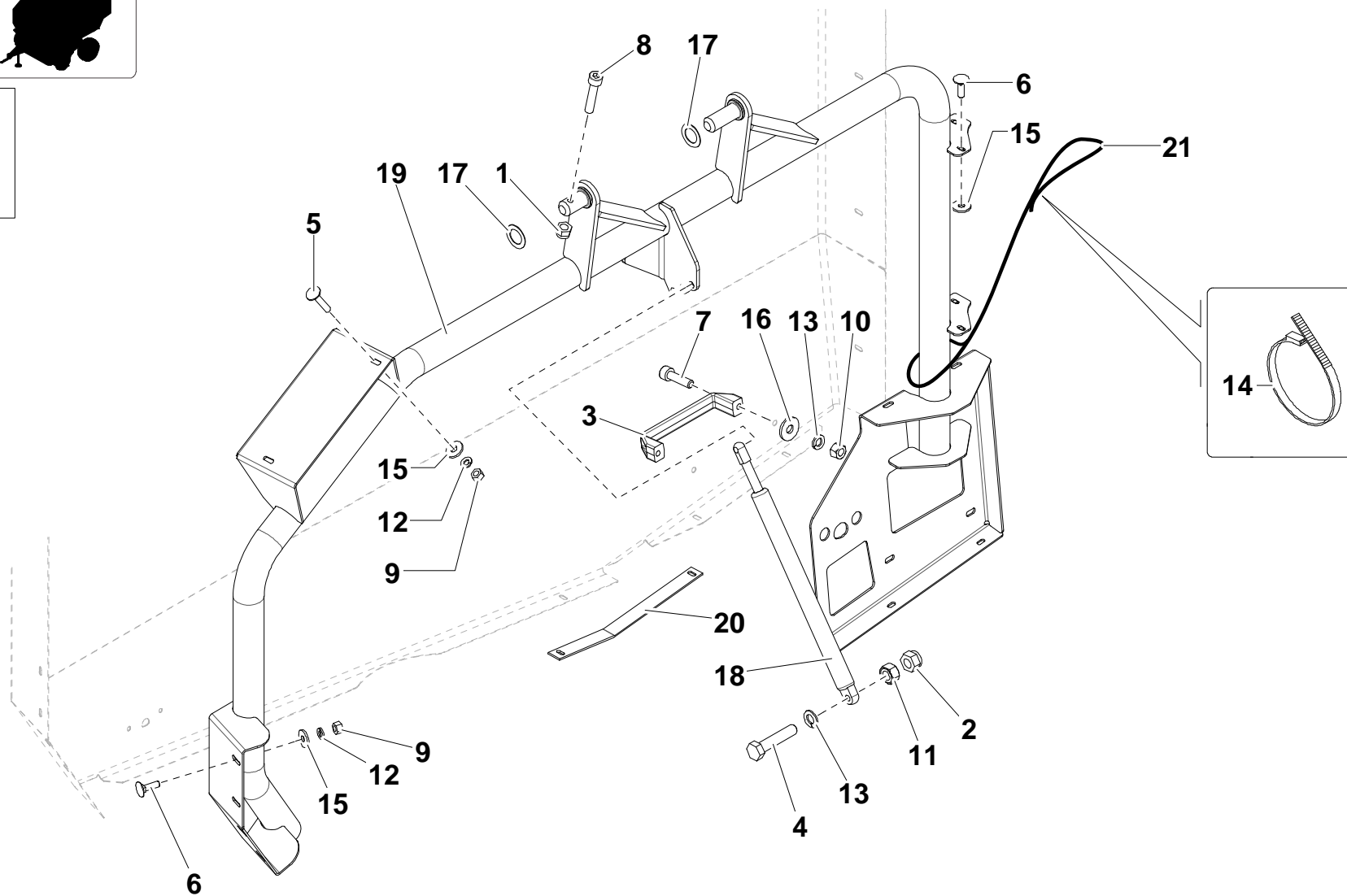
MODELS

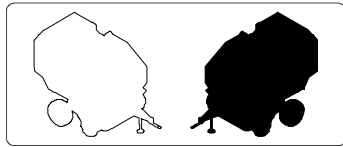
T
N
NT





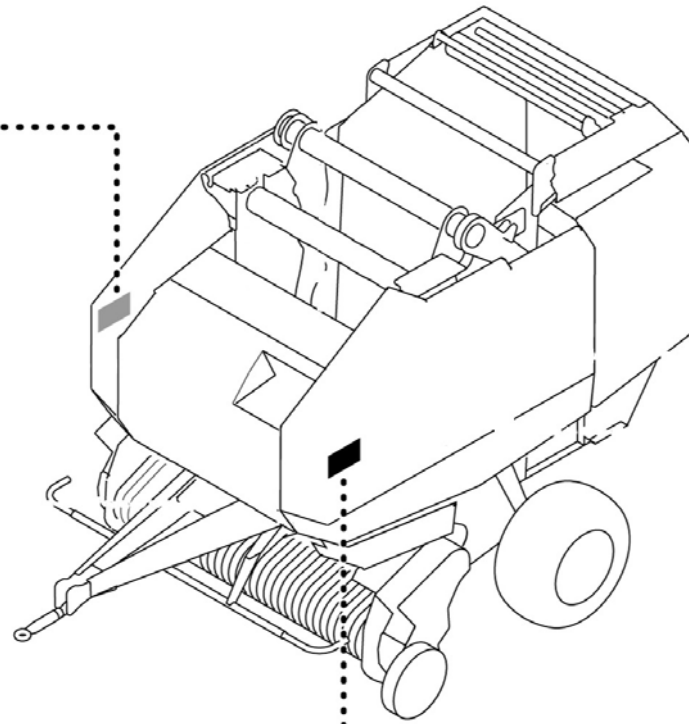
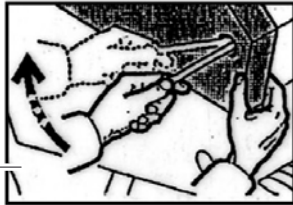
MODELS	
T	■
N	■
NT	■



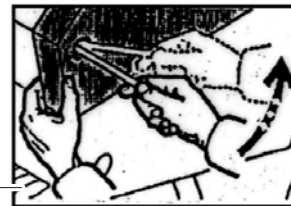


MODELS	
T	■
N	■
NT	■

1



2





3

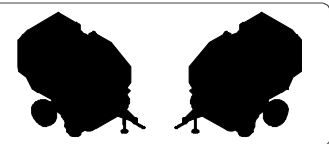


1



6

2



MODELS

T	■
N	■
NT	■



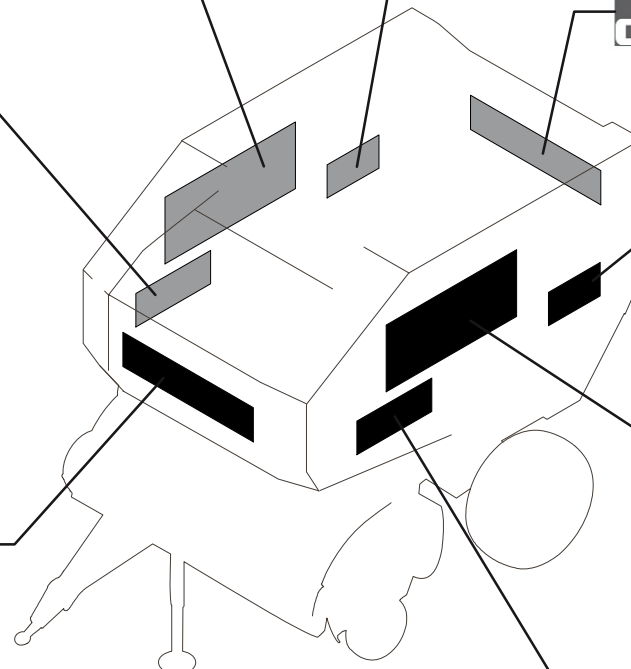
5



4



1



CLICK HERE TO **DOWNLOAD** THE COMPLETE MANUAL

- Thank you very much for reading the preview of the manual.
- You can download the complete manual from: www.heydownloads.com by clicking the link below



- Please note: If there is no response to CLICKING the link, please download this PDF first and then click on it.

CLICK HERE TO **DOWNLOAD** THE COMPLETE MANUAL