

GACH52 SC
XLS Re

CATALOGO PARTI DI RICAMBIO

*SPARE PARTS LIST
ERSATZTEILKATALOG
PIECES DE RECHANGE
CATÁLOGO REPUESTOS*

Code	GACH52SC_SPL	Edition	05-2013
I ▶	SN KB164390	▶ I	

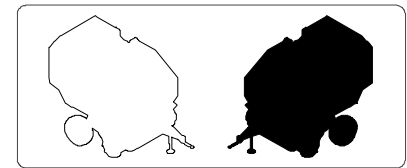
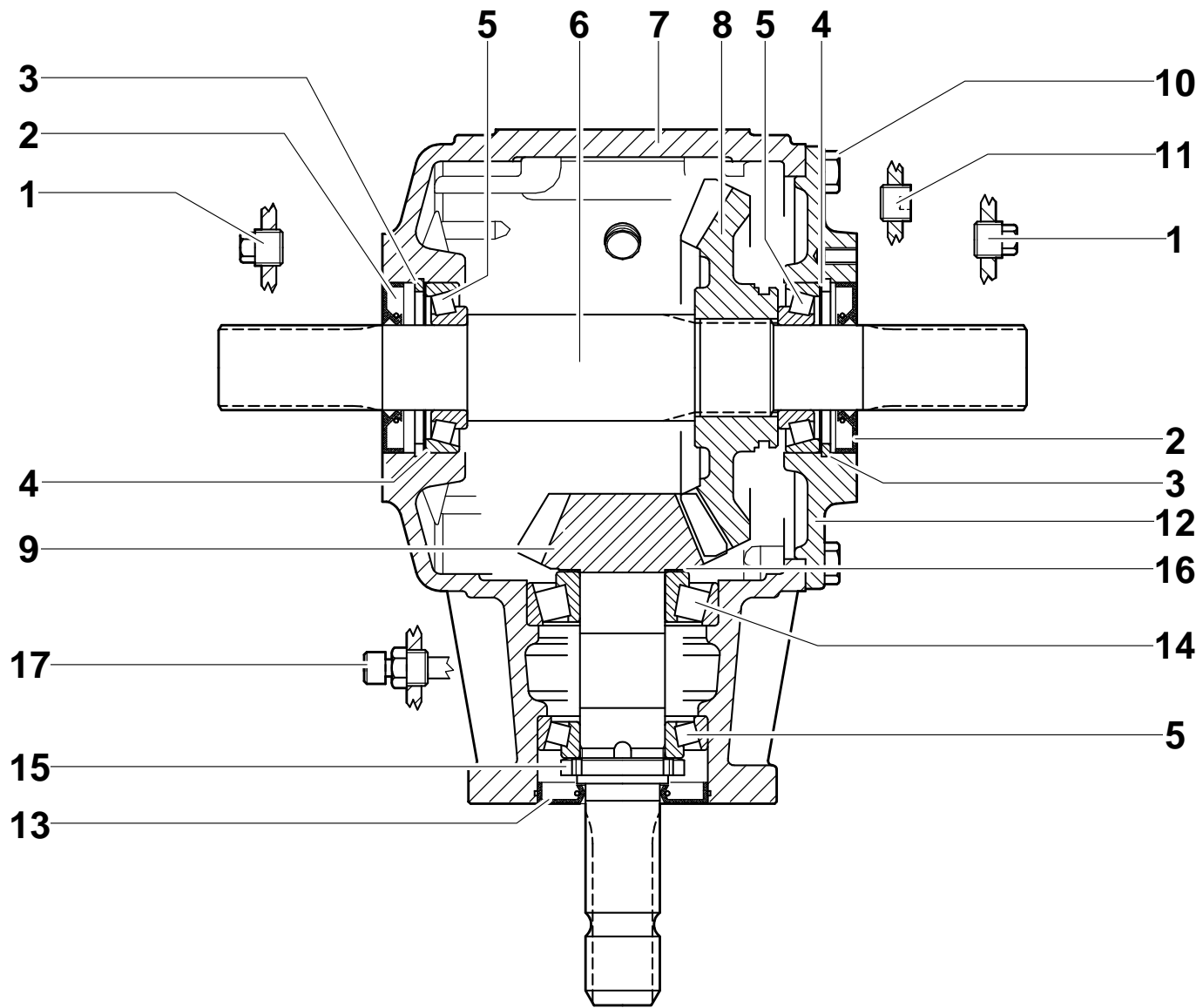
CLICK HERE TO **DOWNLOAD** THE COMPLETE MANUAL

- Thank you very much for reading the preview of the manual.
- You can download the complete manual from: www.heydownloads.com by clicking the link below

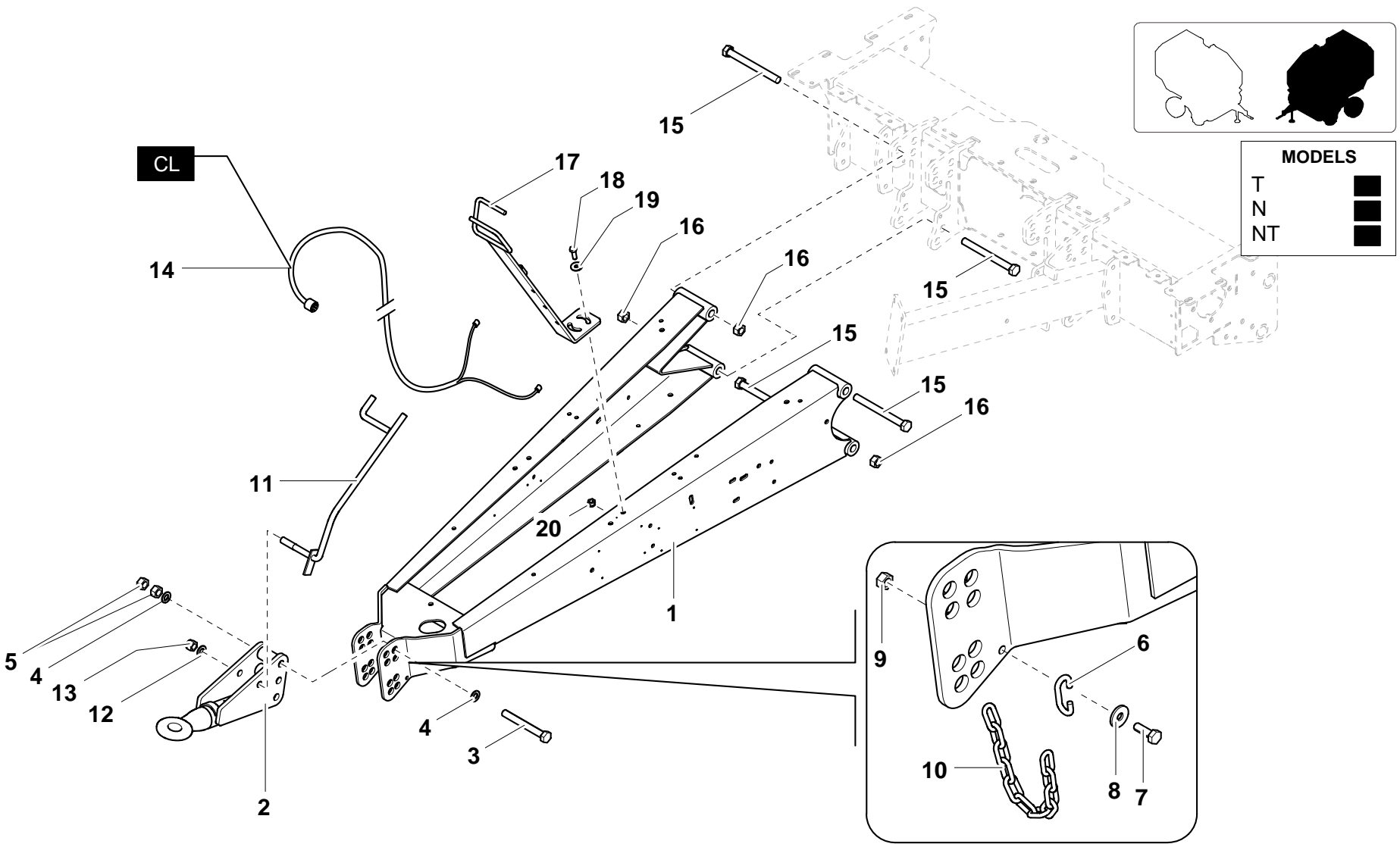


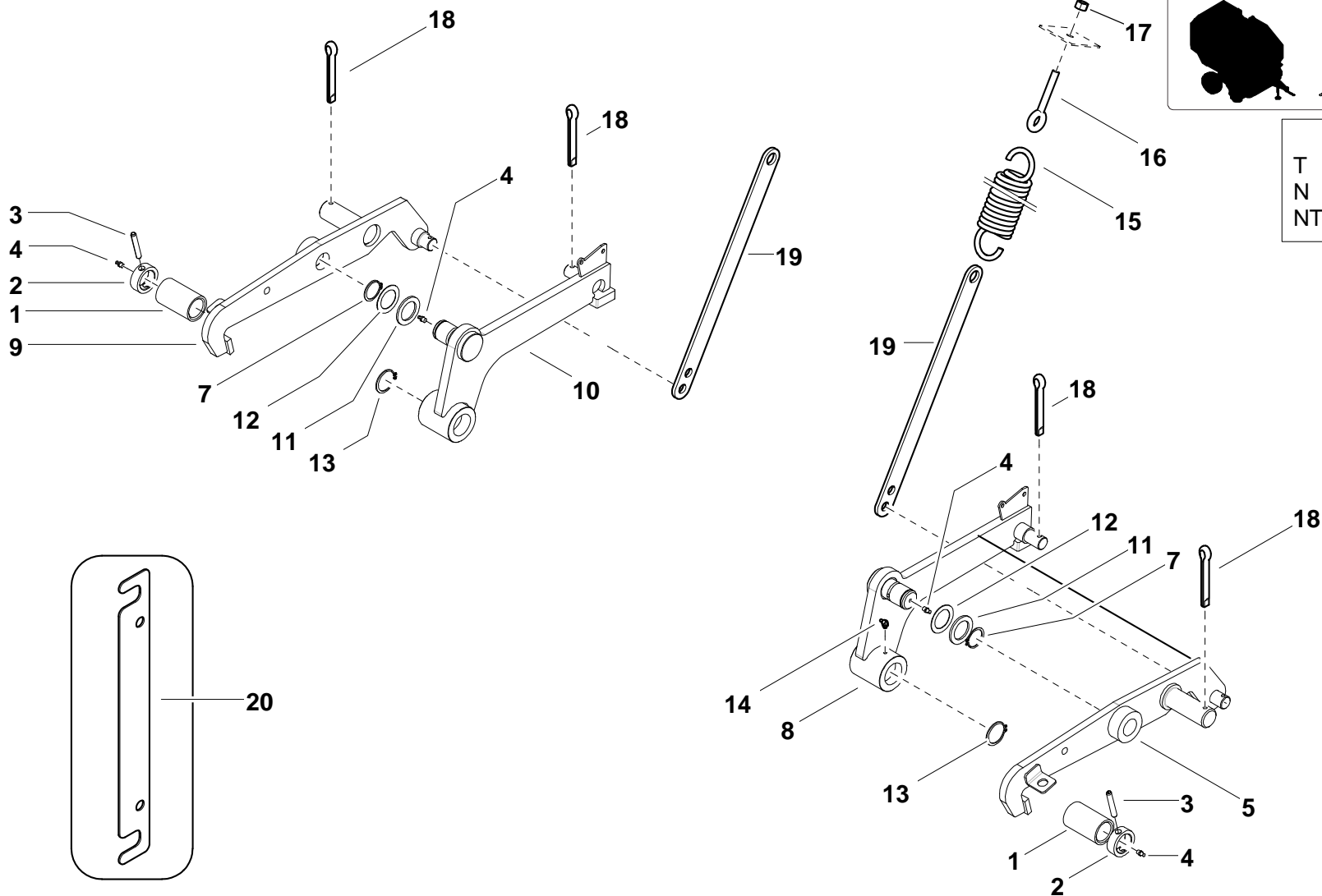
- Please note: If there is no response to CLICKING the link, please download this PDF first and then click on it.

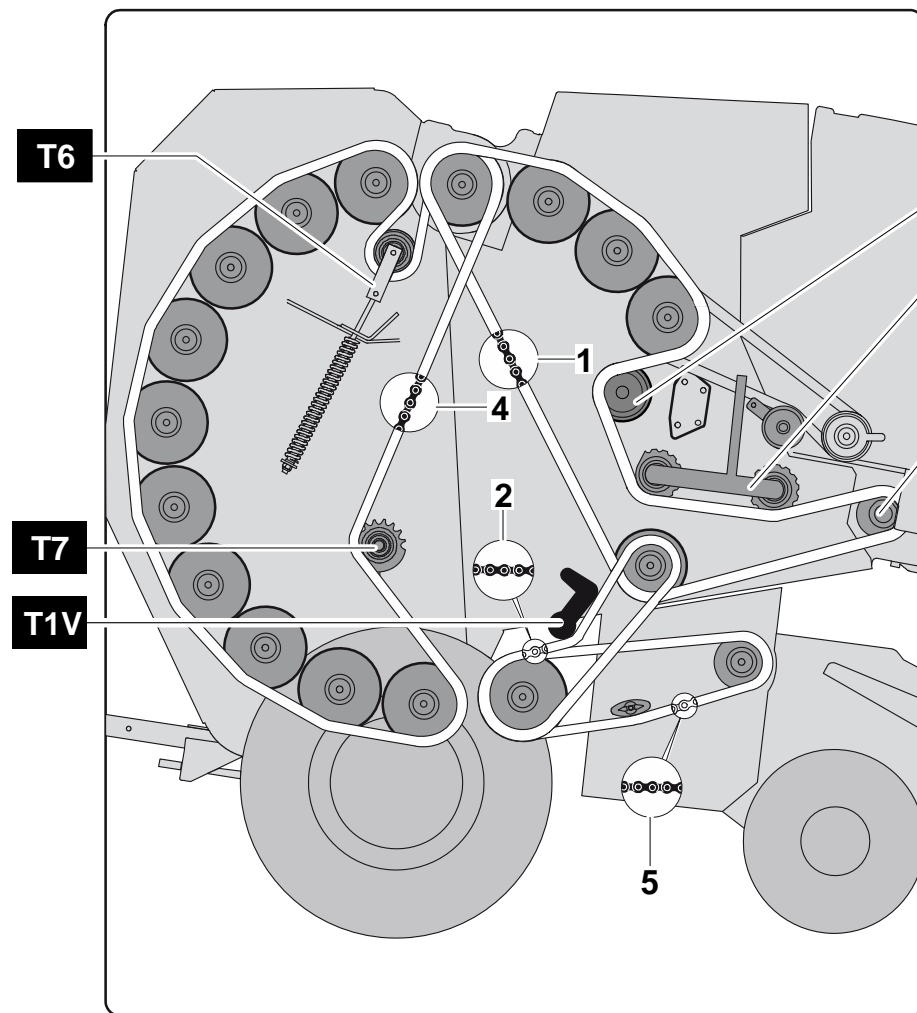
CLICK HERE TO **DOWNLOAD** THE COMPLETE MANUAL



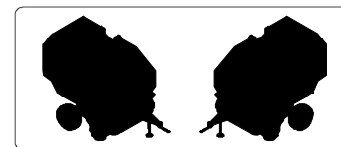
MODELS	
T	■
N	■
NT	■



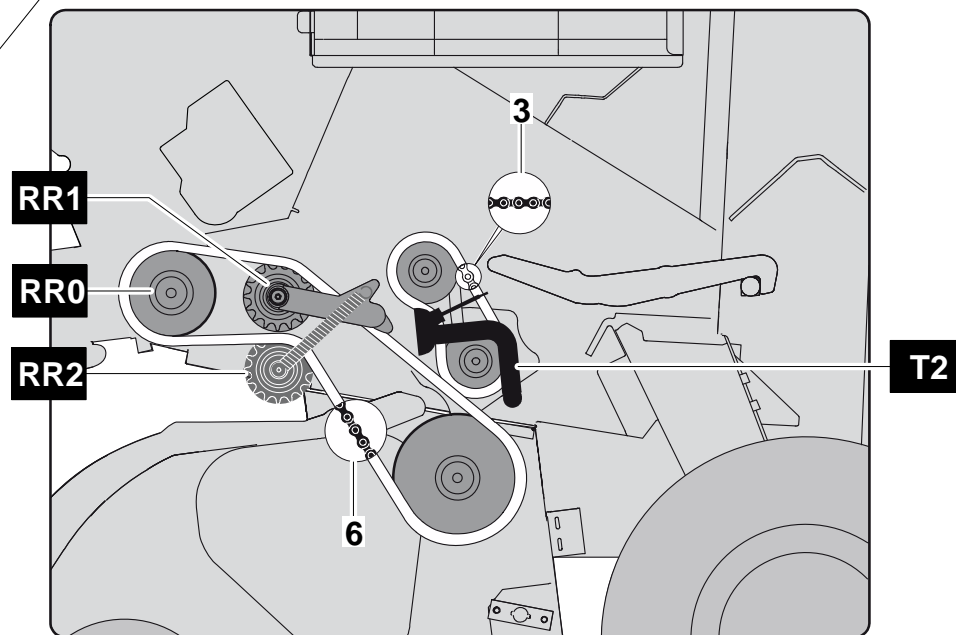


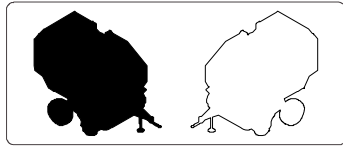


- IT
- SR
- RP

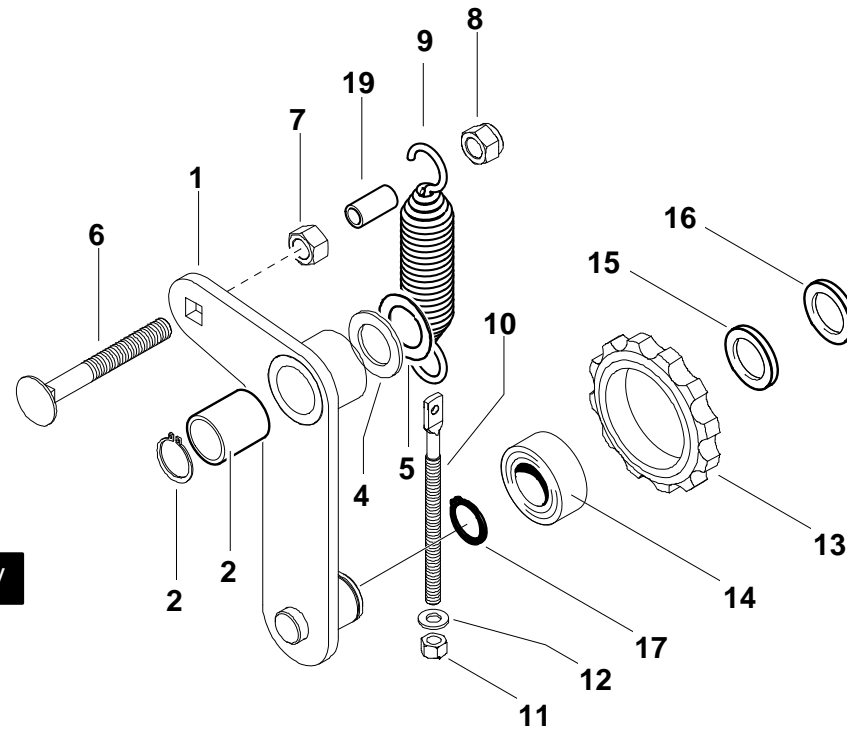


MODELS	
T	■
N	■
NT	■

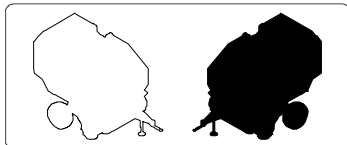




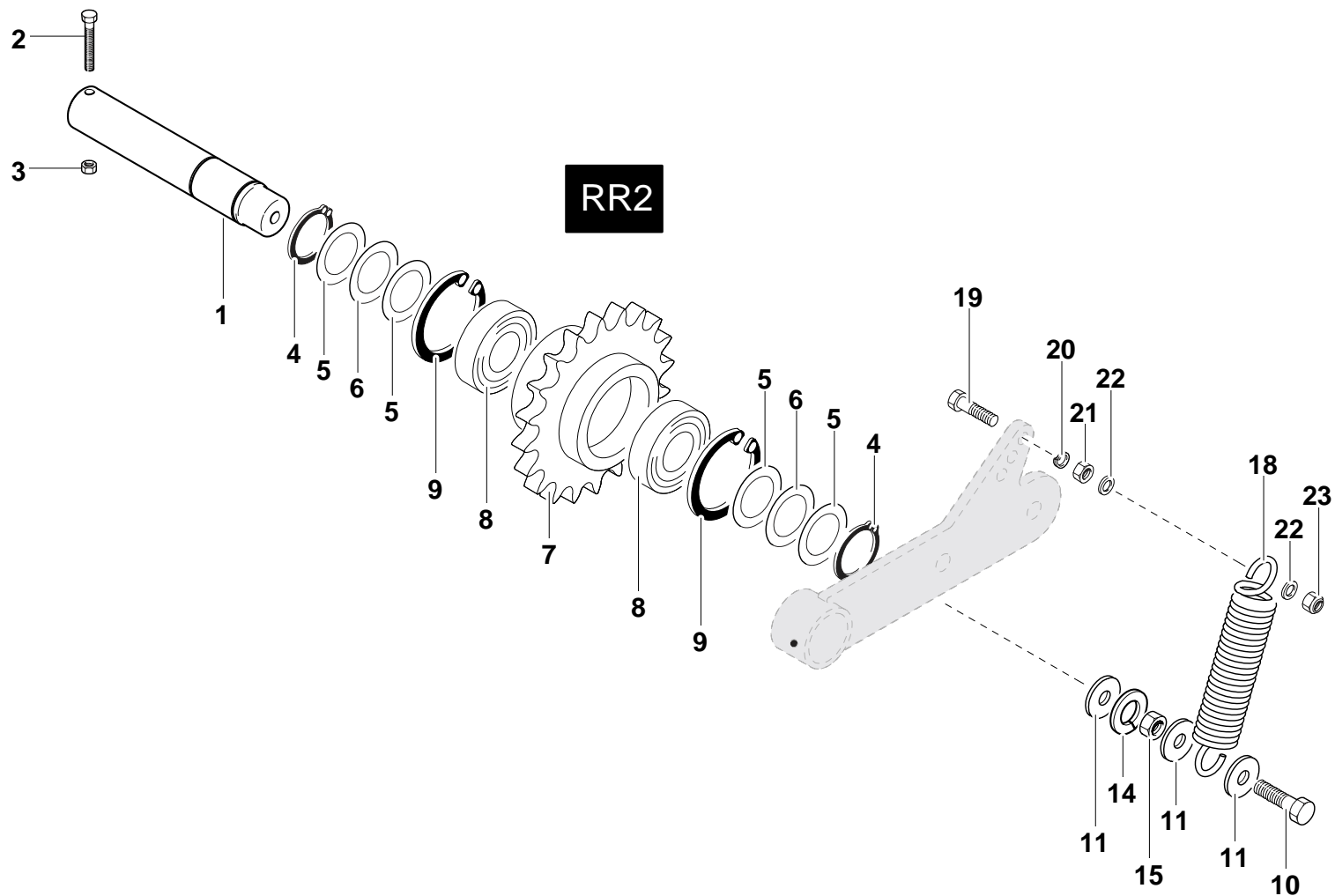
MODELS

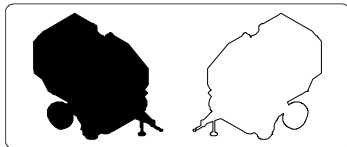
T
N
NT

T1V

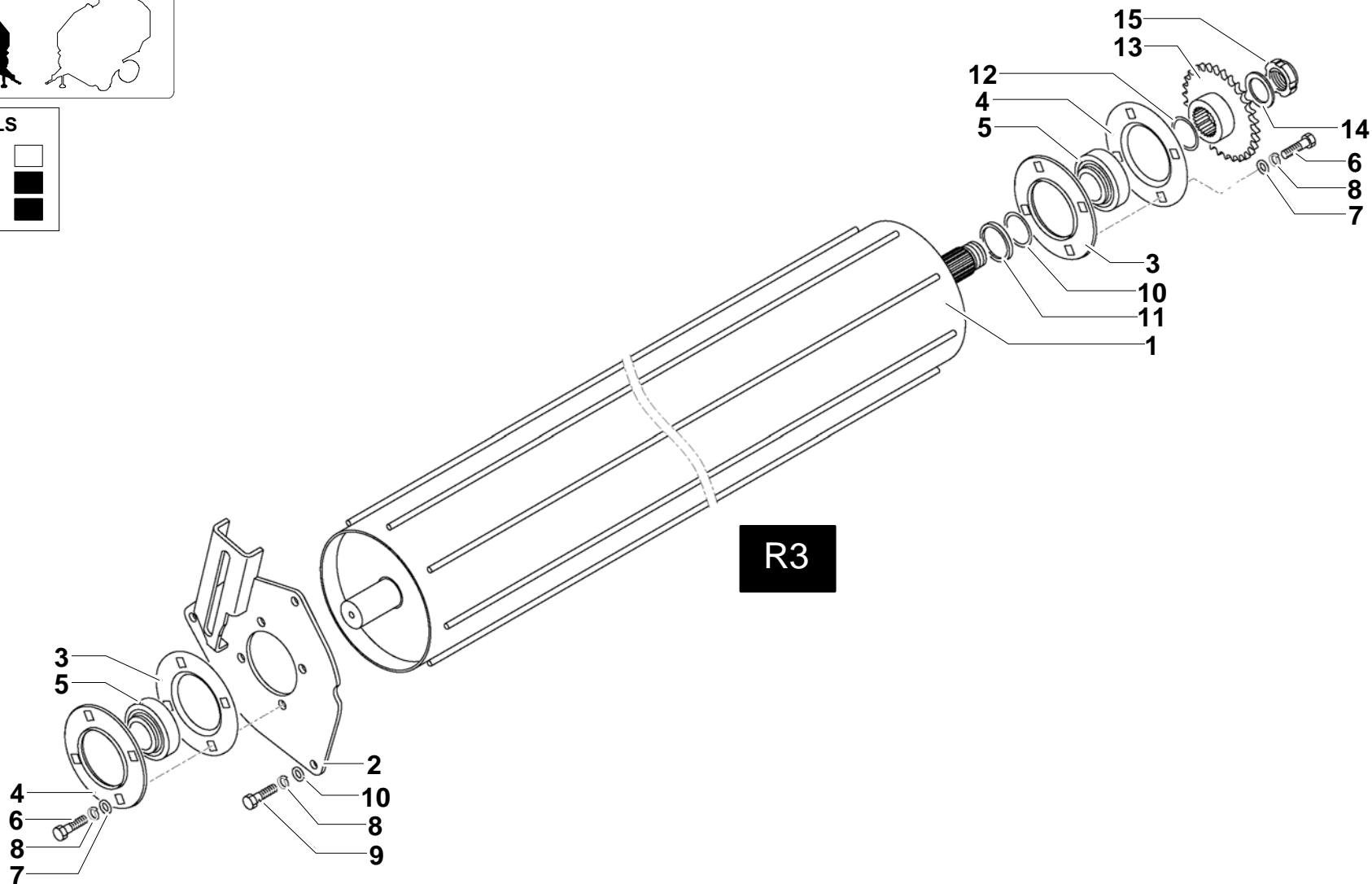


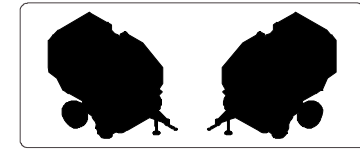
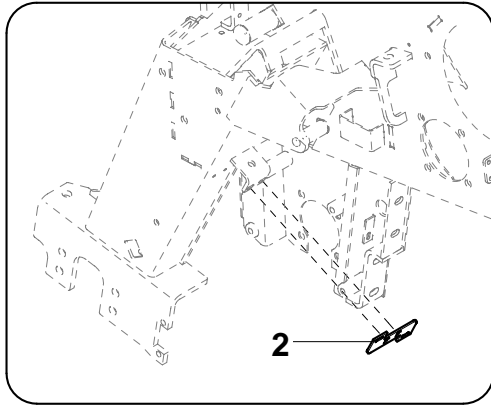
MODELS	
T	■
N	■
NT	■



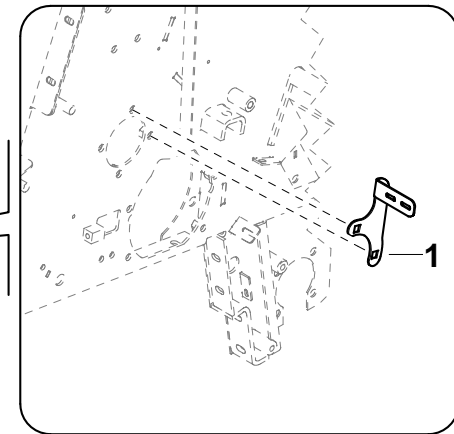
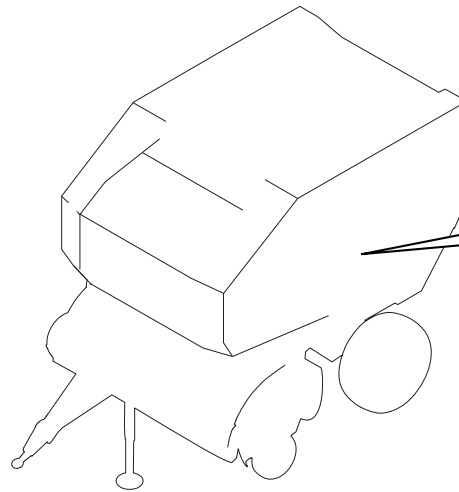
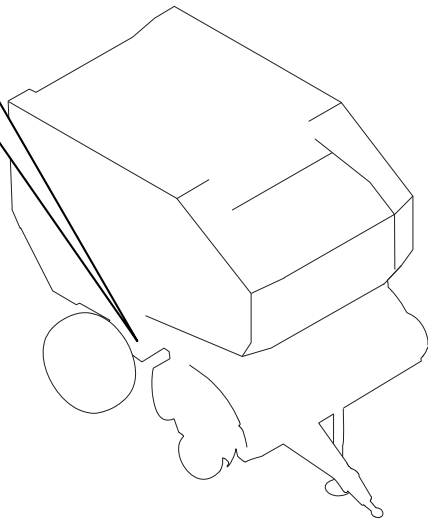


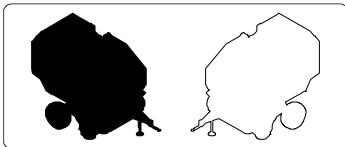
MODELS	
T	<input type="checkbox"/>
N	<input checked="" type="checkbox"/>
NT	<input checked="" type="checkbox"/>





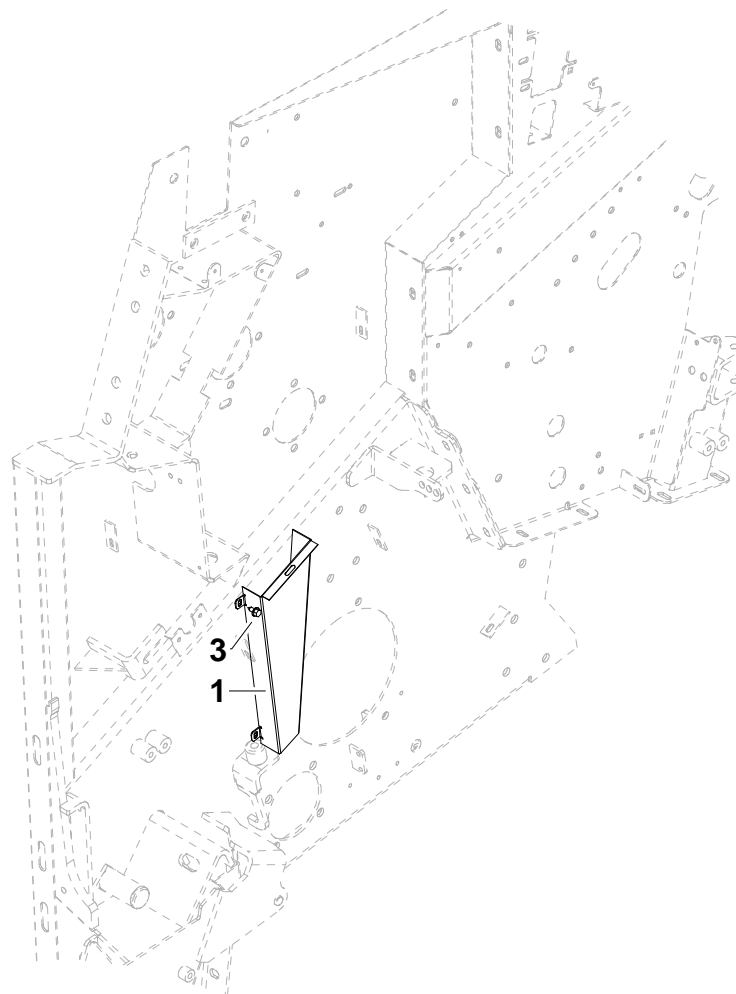
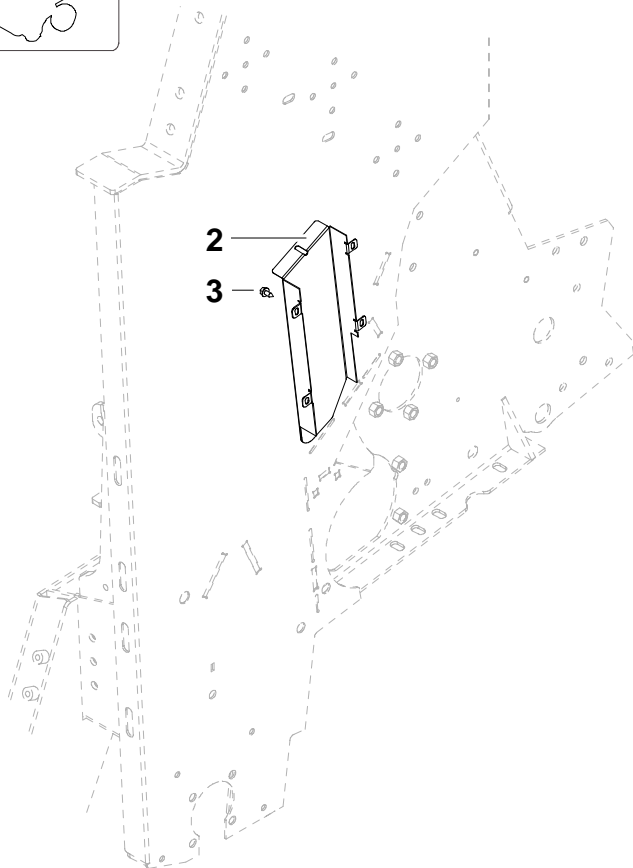
MODELS	
T	■
N	■
NT	■

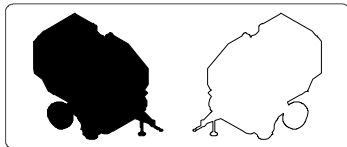




MODELS

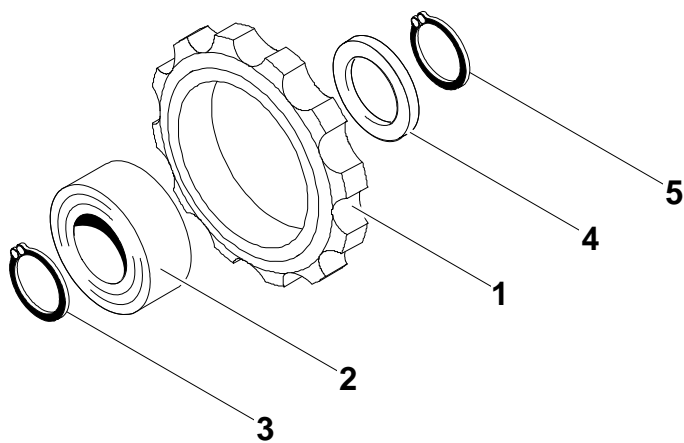
T	■
N	■
NT	■

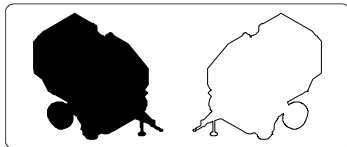




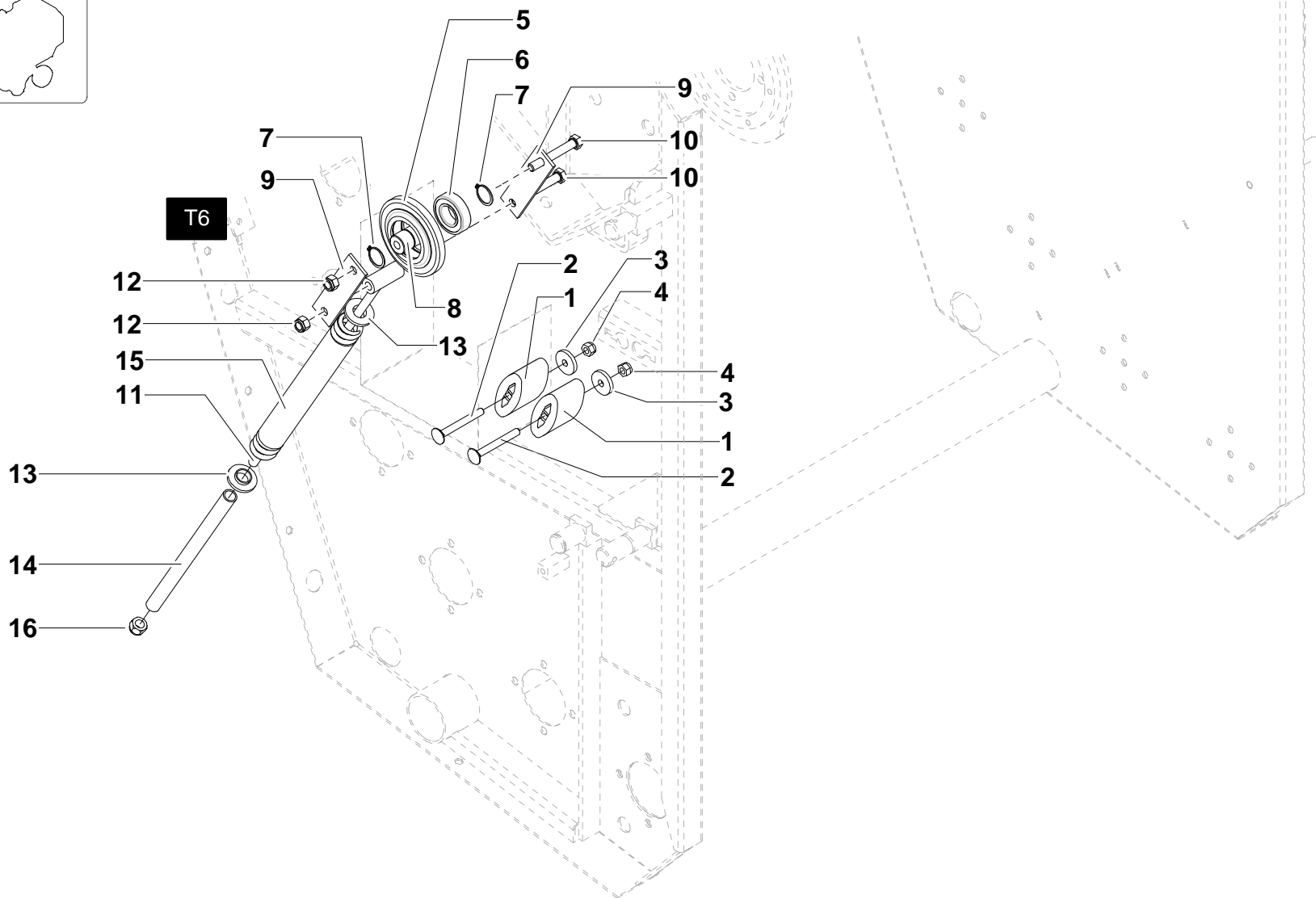
MODELS	
T	■
N	■
NT	■

IT





MODELS	
T	■
N	■
NT	■

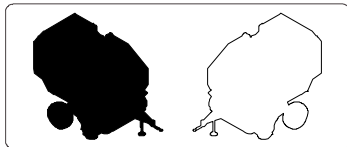


GR 170

00a

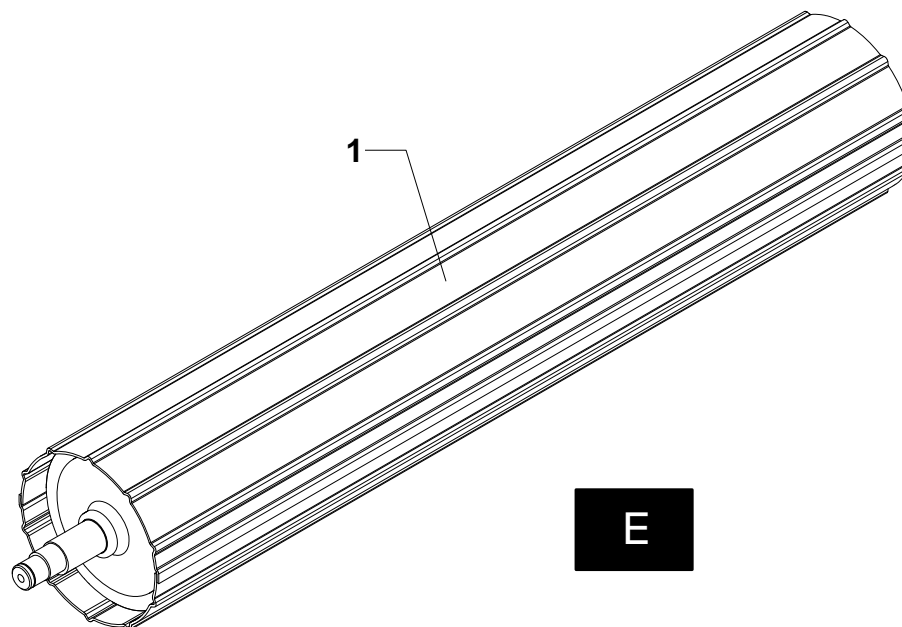
Rullo settore mobile

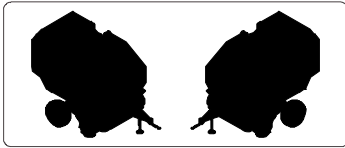
Roller moving part



MODELS

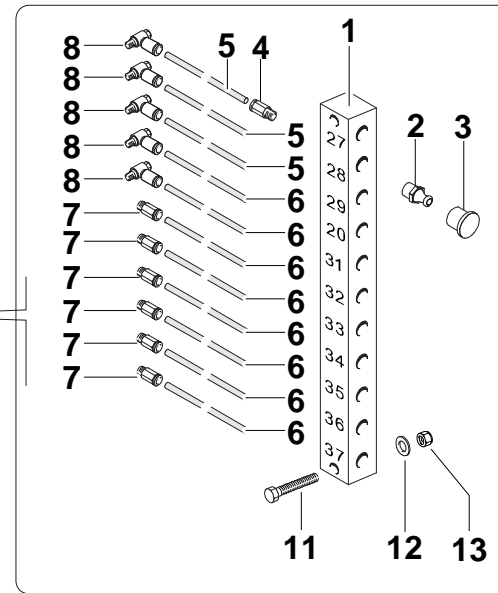
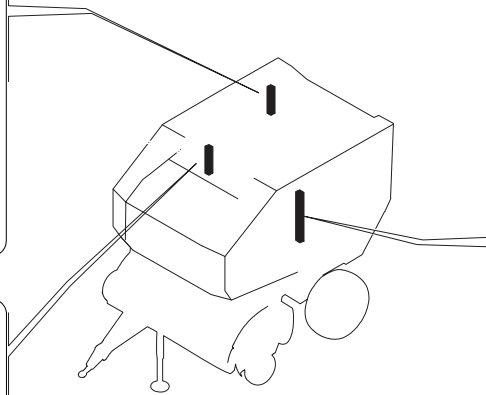
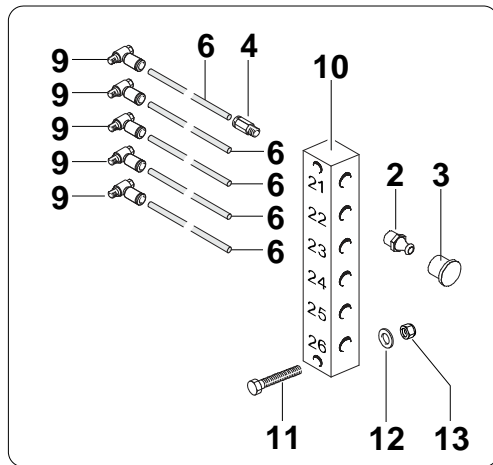
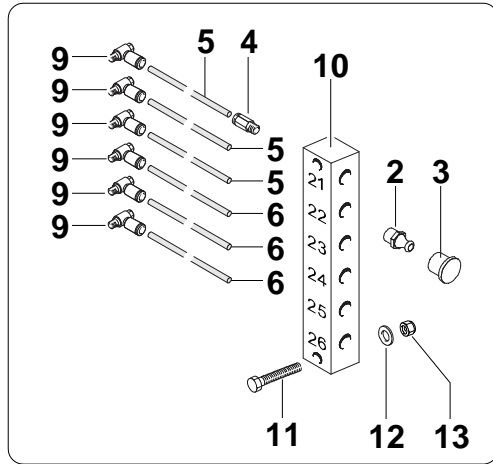
T	■
N	■
NT	■

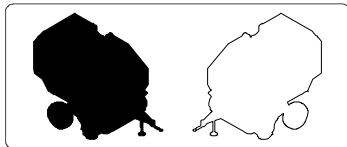




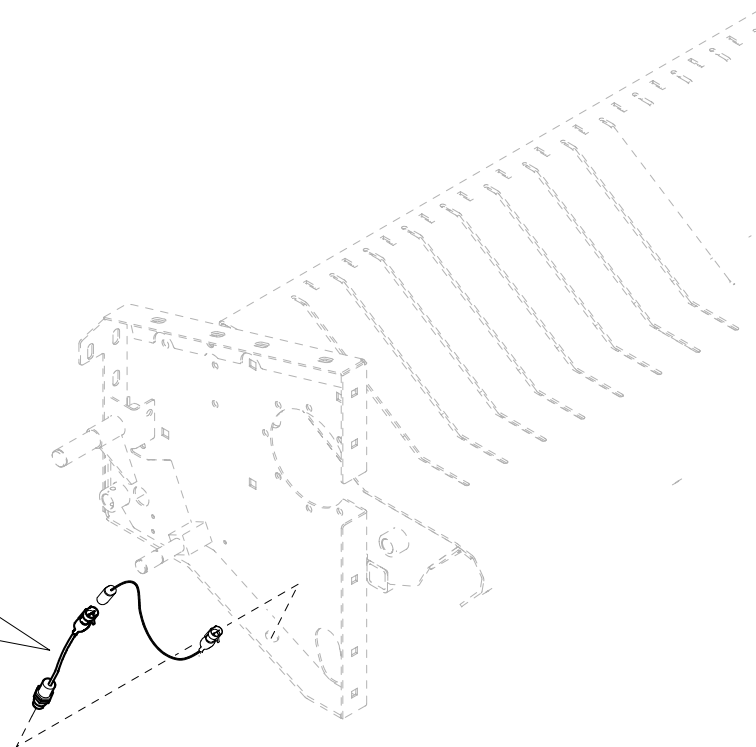
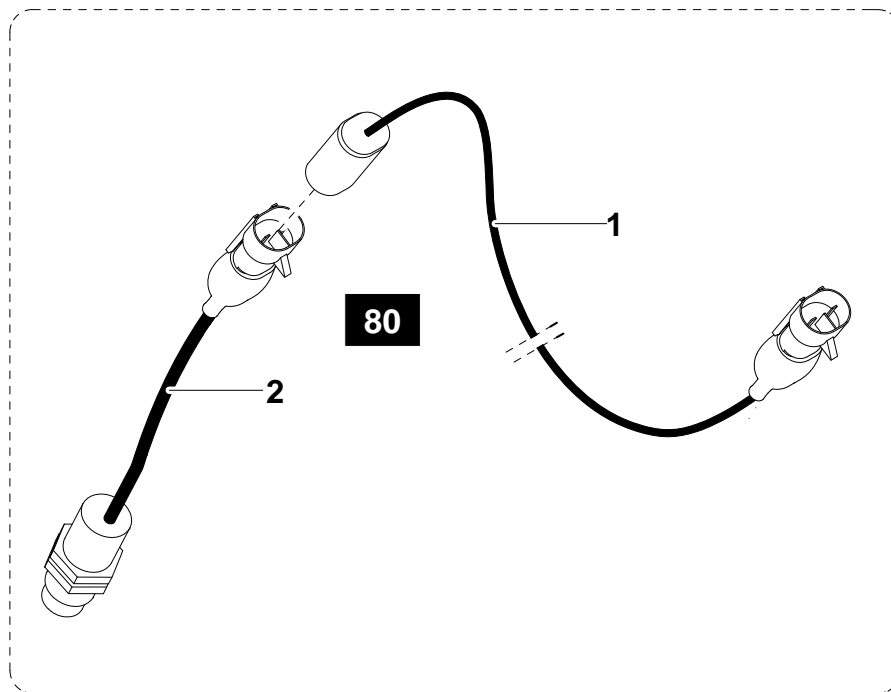
MODELS

T	<input type="checkbox"/>
N	<input checked="" type="checkbox"/>
NT	<input checked="" type="checkbox"/>





MODELS	
T	<input type="checkbox"/>
N	<input checked="" type="checkbox"/>
NT	<input type="checkbox"/>



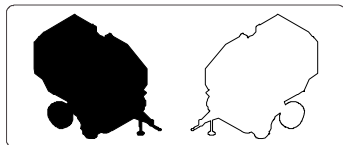
CLICK HERE TO **DOWNLOAD** THE COMPLETE MANUAL

- Thank you very much for reading the preview of the manual.
- You can download the complete manual from: www.heydownloads.com by clicking the link below

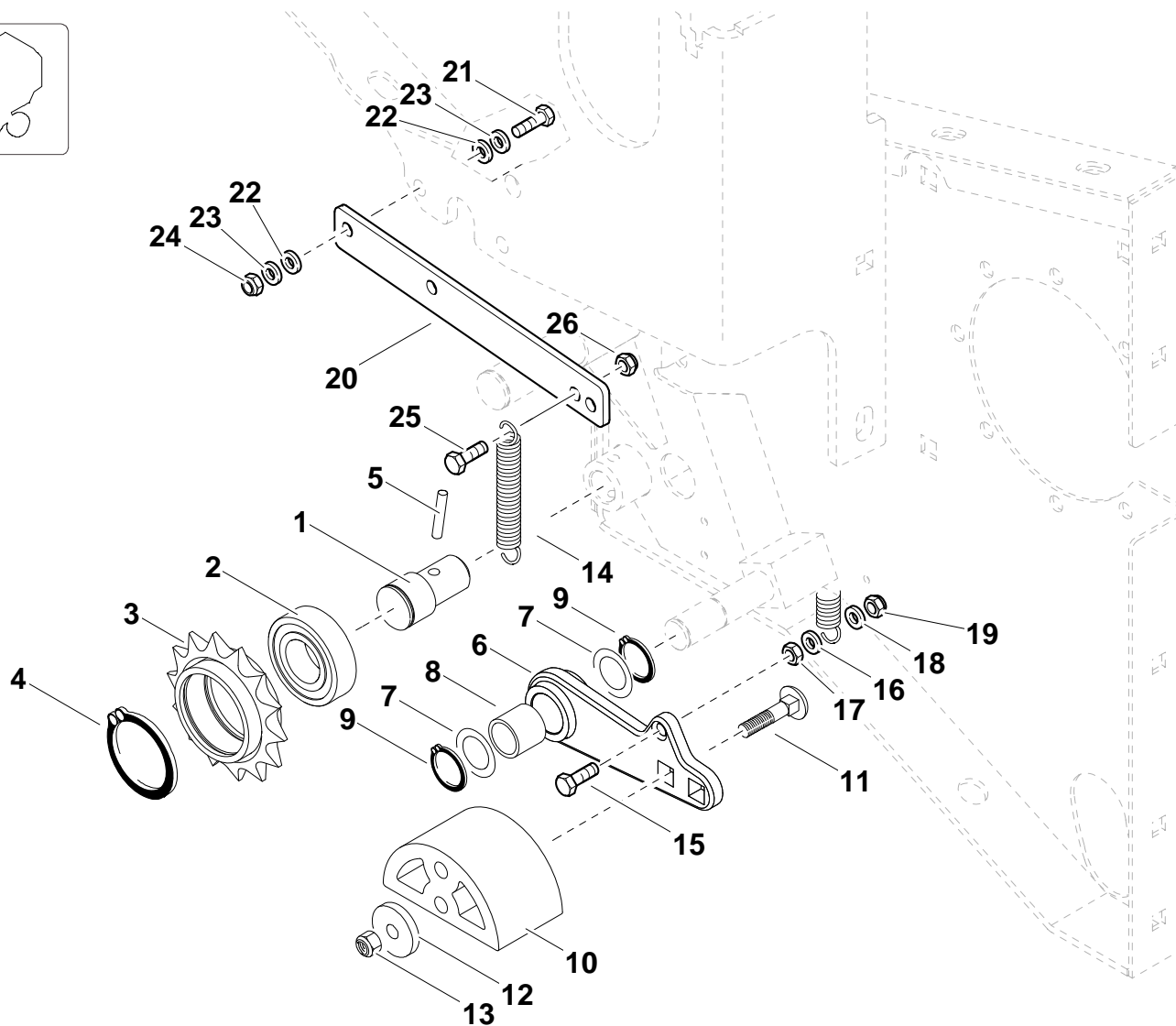


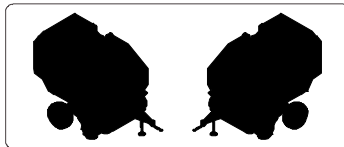
- Please note: If there is no response to CLICKING the link, please download this PDF first and then click on it.

CLICK HERE TO **DOWNLOAD** THE COMPLETE MANUAL



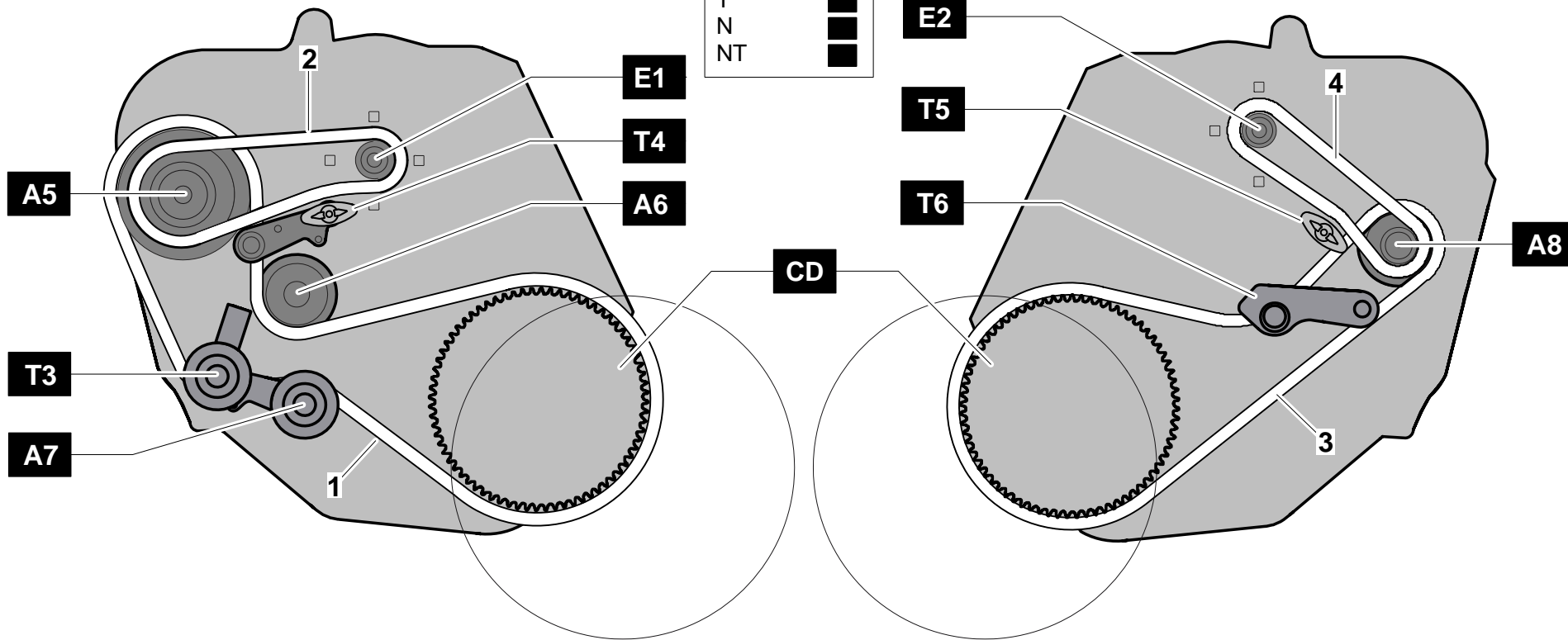
MODELS	
T	<input type="checkbox"/>
N	<input checked="" type="checkbox"/>
NT	<input checked="" type="checkbox"/>

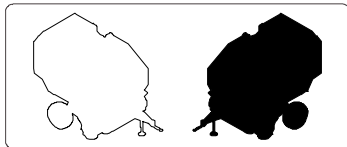




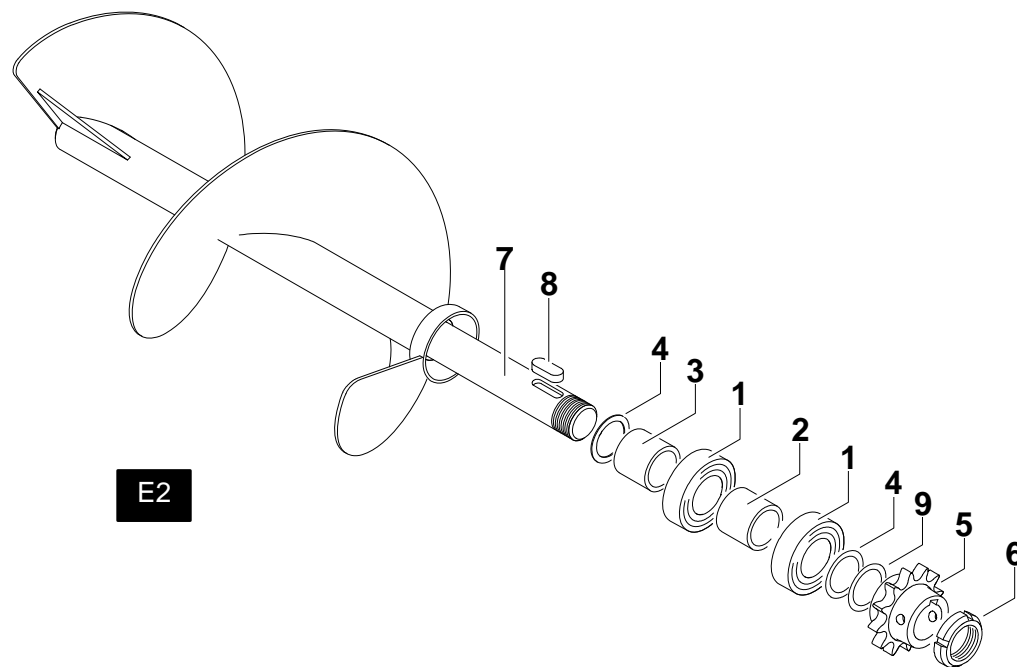
MODELS

T	■
N	■
NT	■

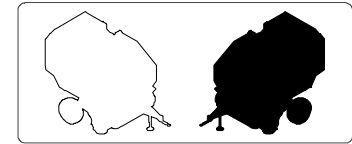
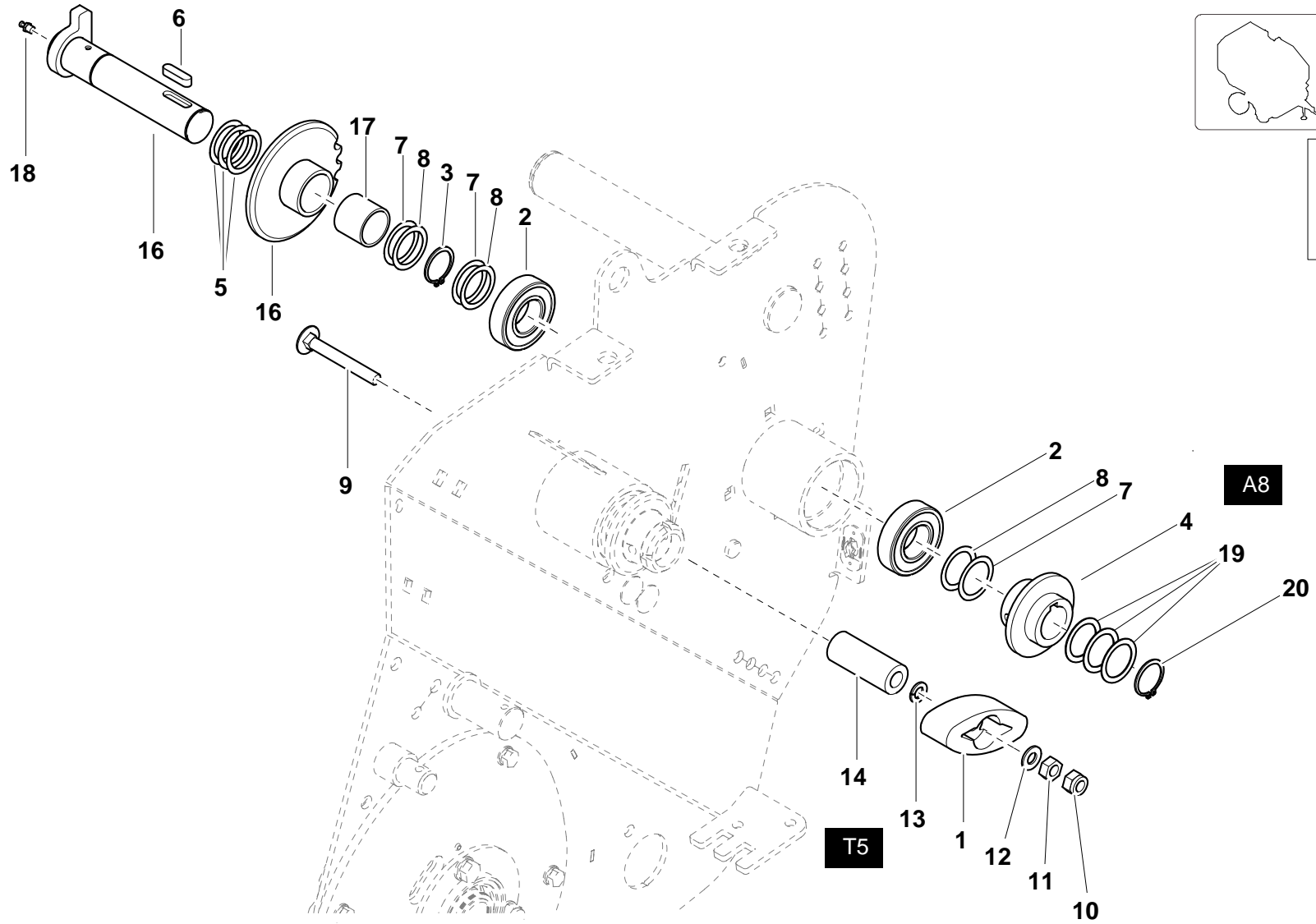




MODELS	
T	■
N	■
NT	■



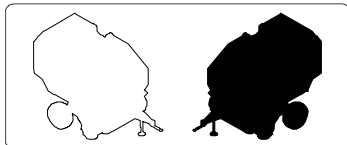
E2



MODELS	
T	■
N	■
NT	■

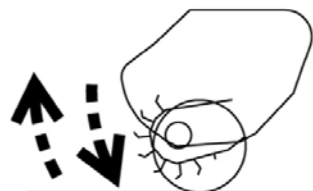
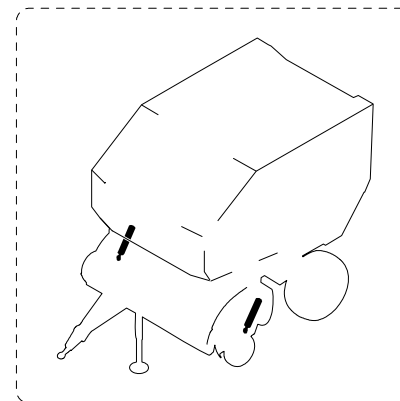
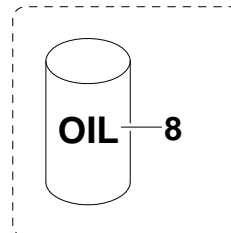
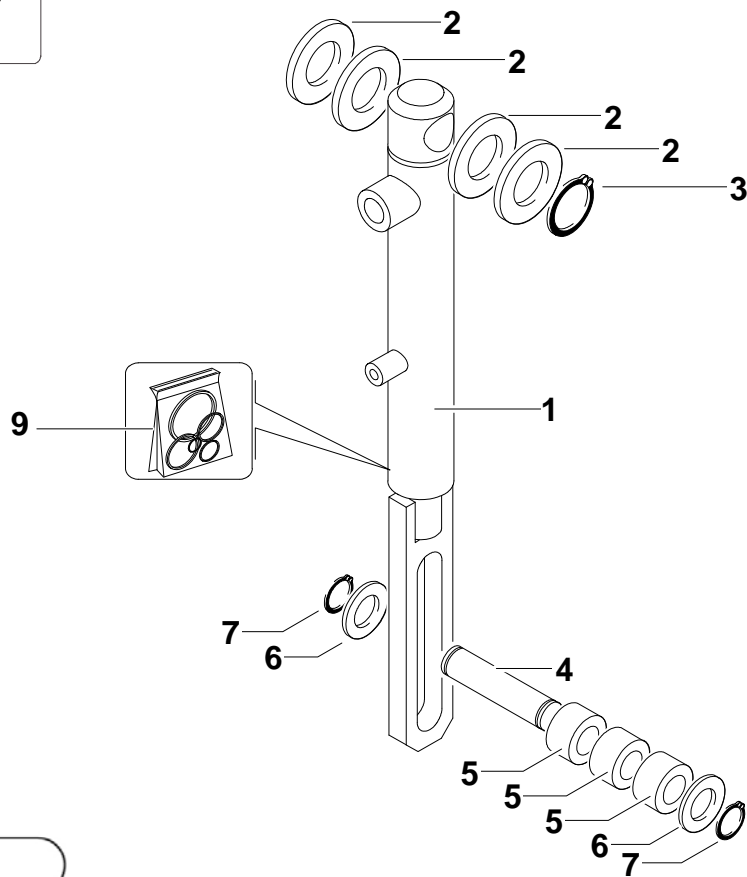
A8

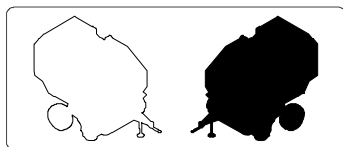
T5



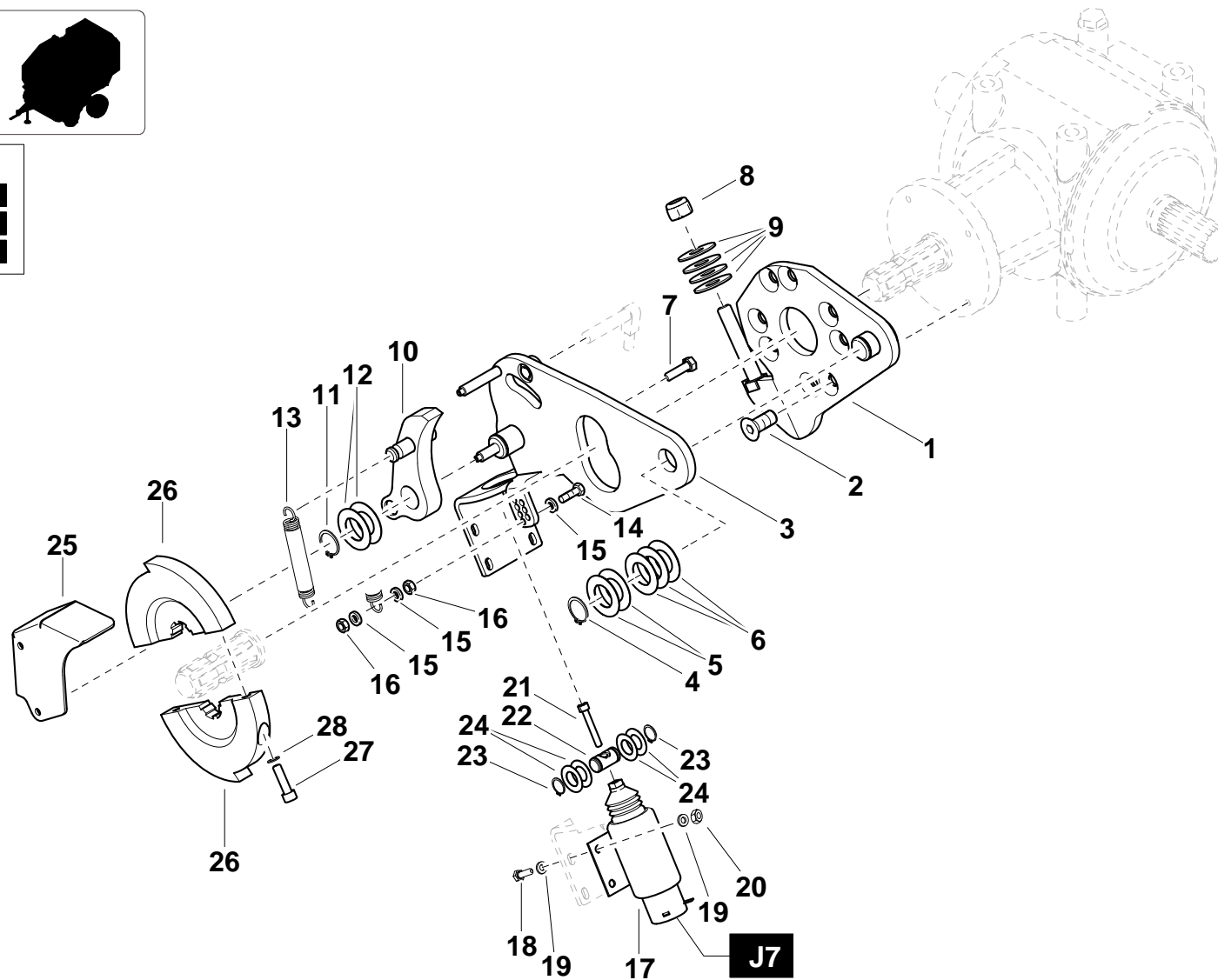
MODELS

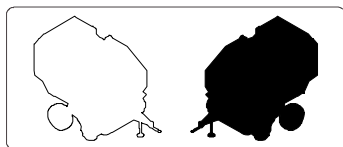
T	■
N	■
NT	■





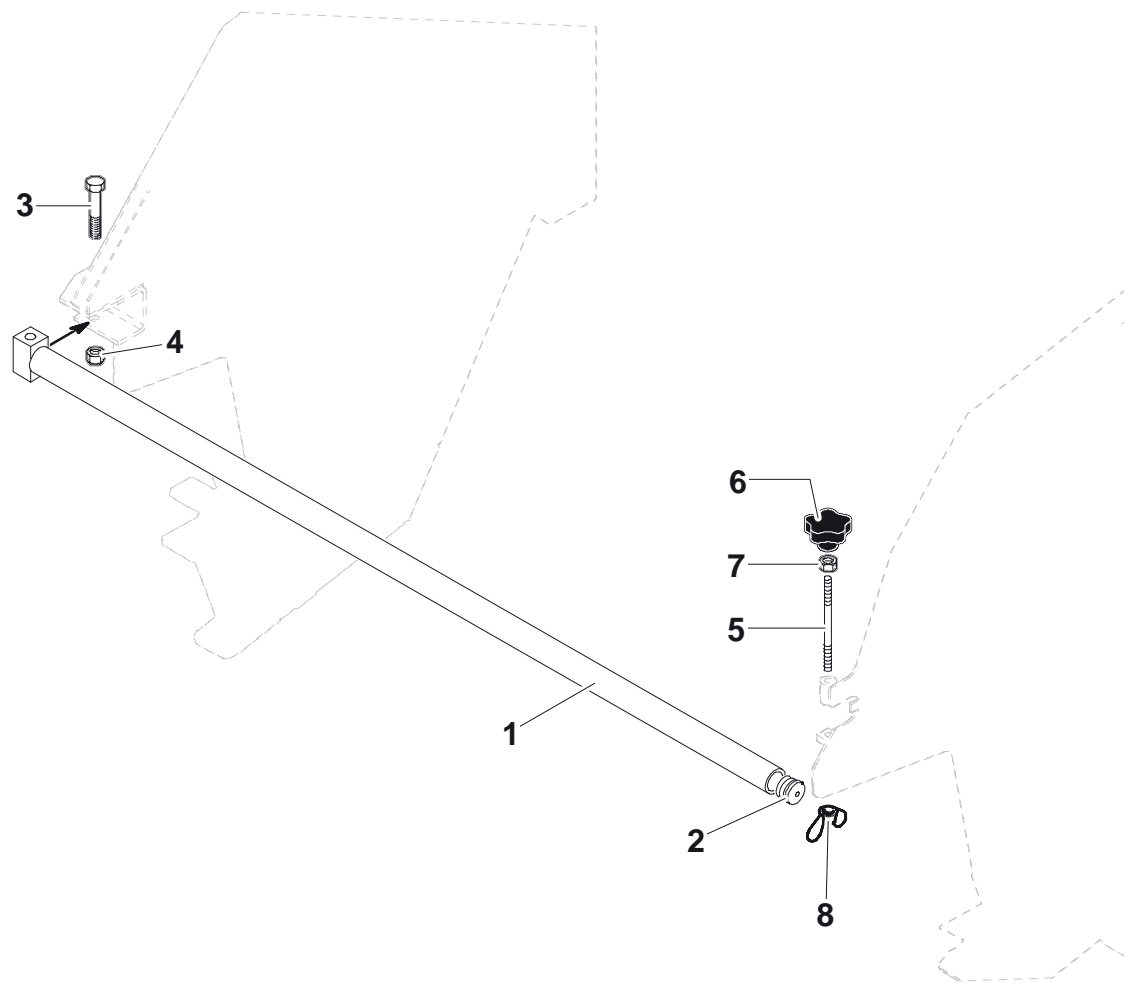
MODELS	
T	■
N	■
NT	■

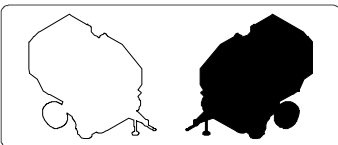
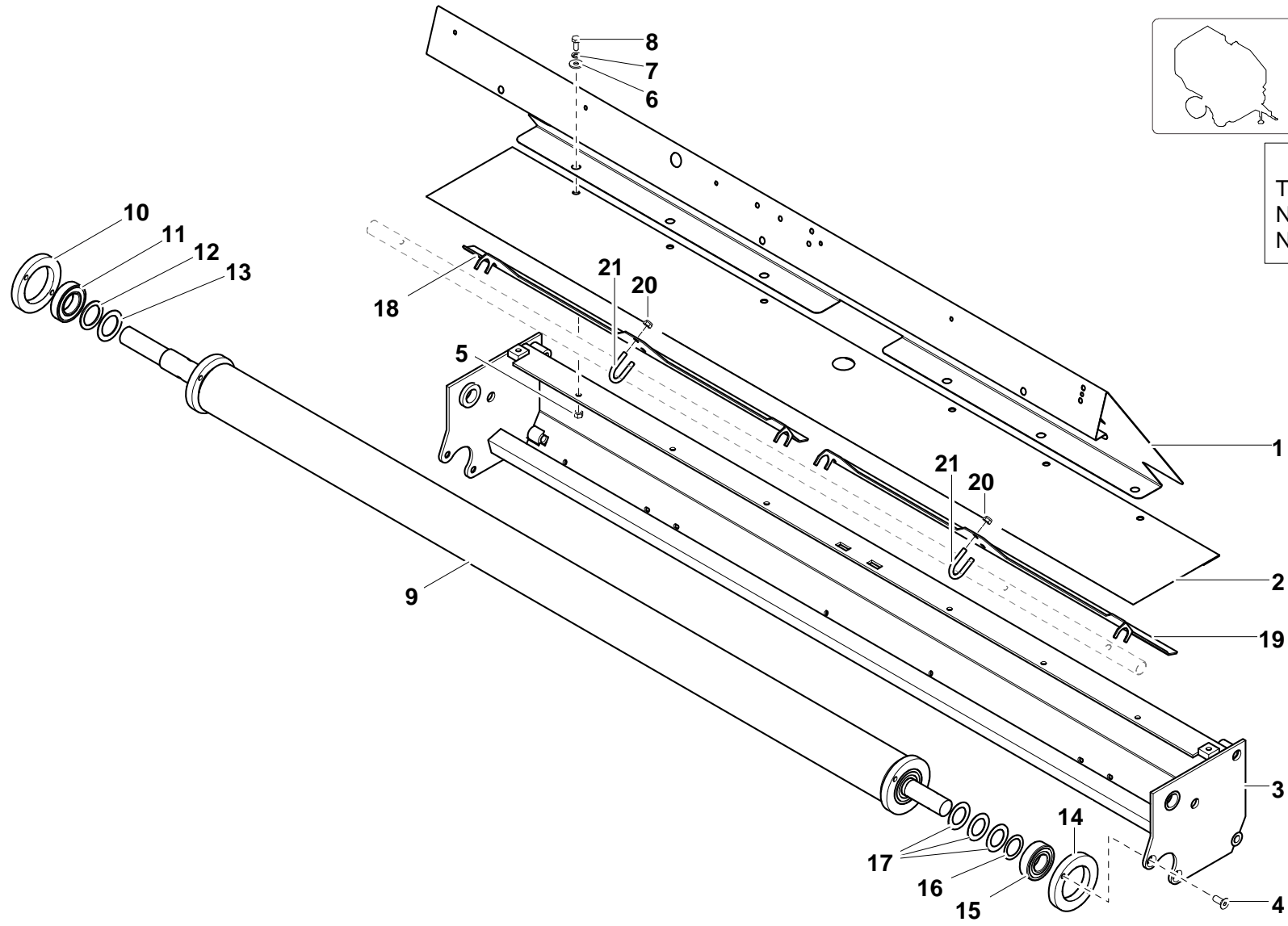




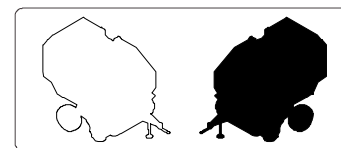
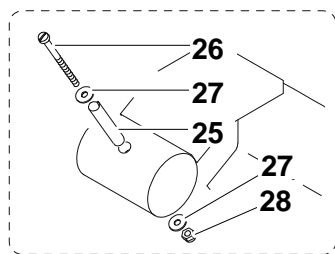
MODELS

T
N
NT

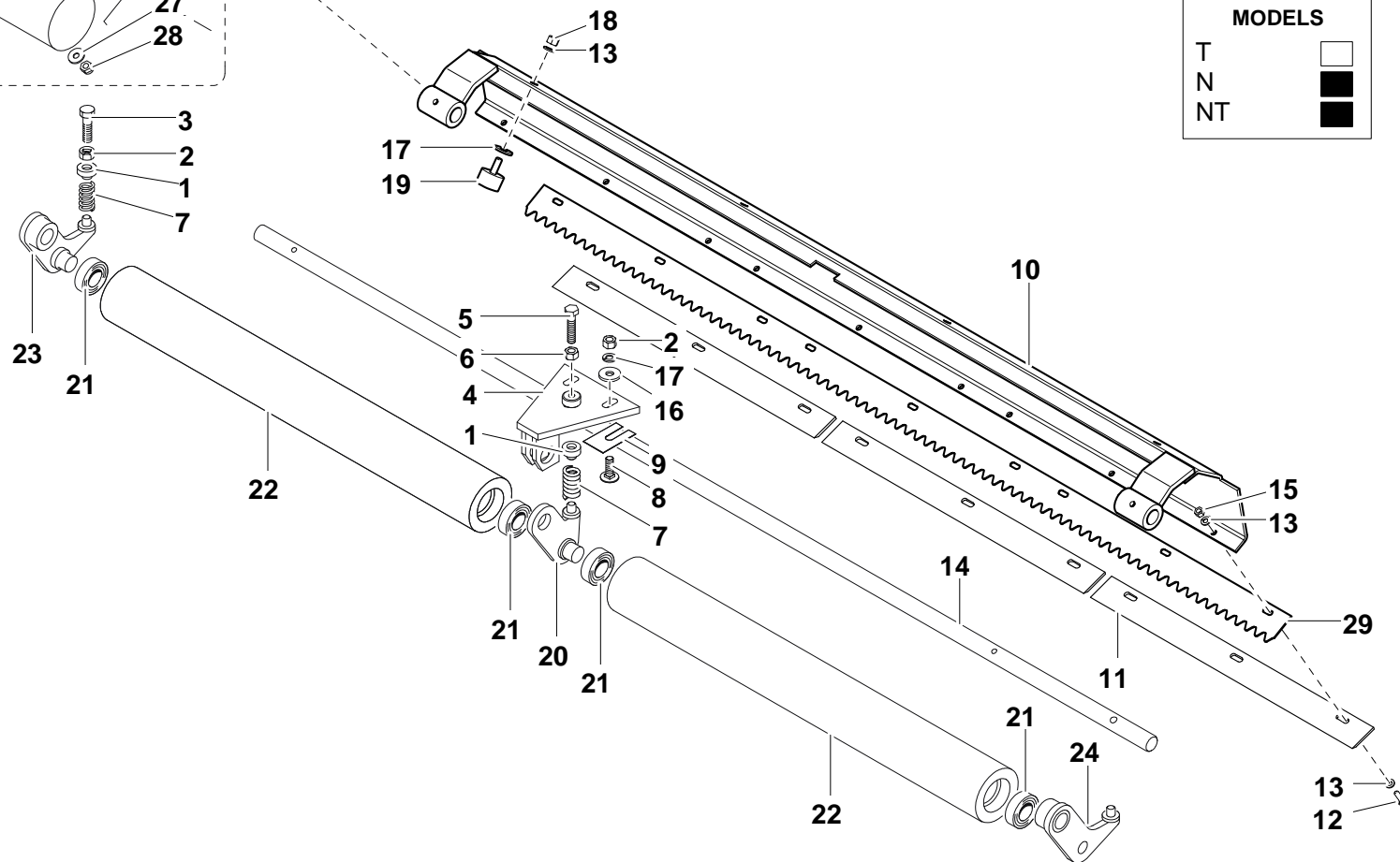


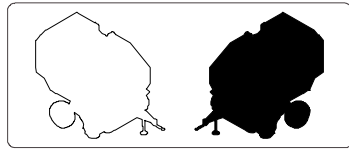


MODELS	
T	<input type="checkbox"/>
N	<input checked="" type="checkbox"/>
NT	<input checked="" type="checkbox"/>

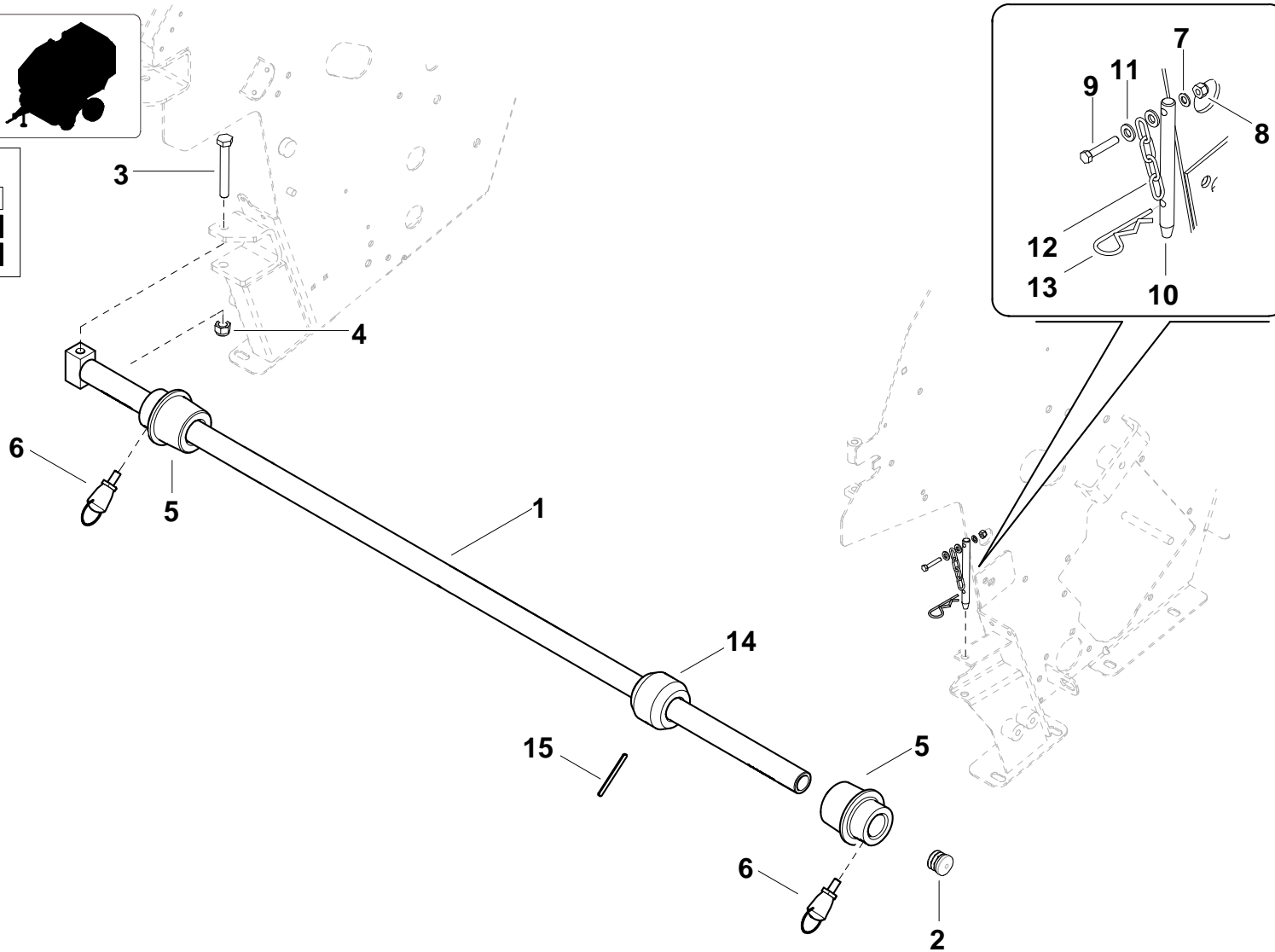


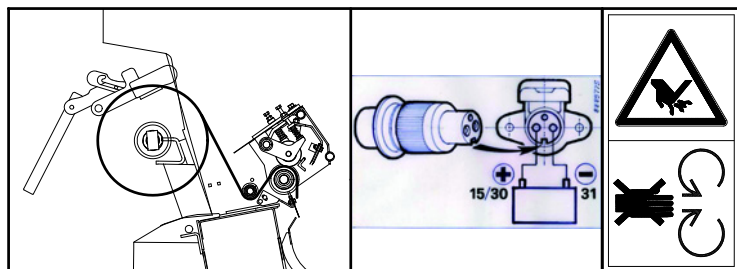
MODELS	
T	<input type="checkbox"/>
N	<input checked="" type="checkbox"/>
NT	<input checked="" type="checkbox"/>





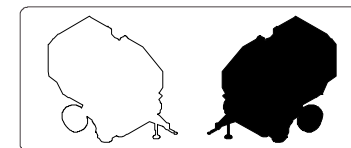
MODELS	
T	<input type="checkbox"/>
N	<input type="checkbox"/>
NT	<input type="checkbox"/>





5

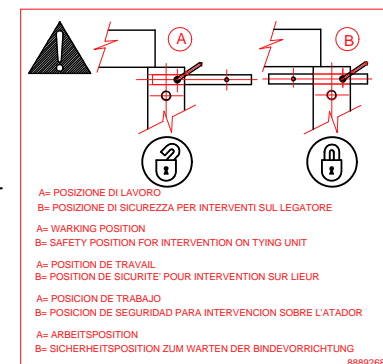
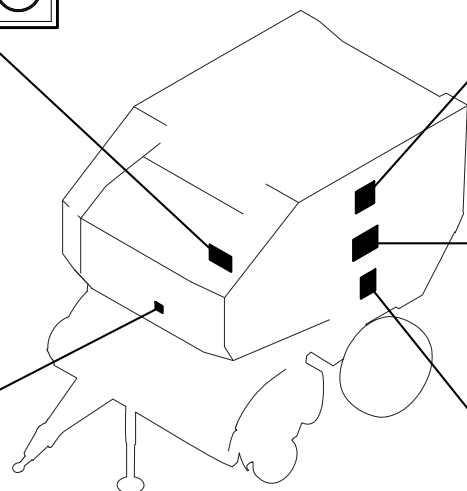
3



MODELS	
T	<input type="checkbox"/>
N	<input type="checkbox"/>
NT	<input type="checkbox"/>



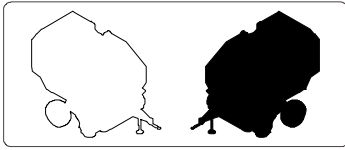
4



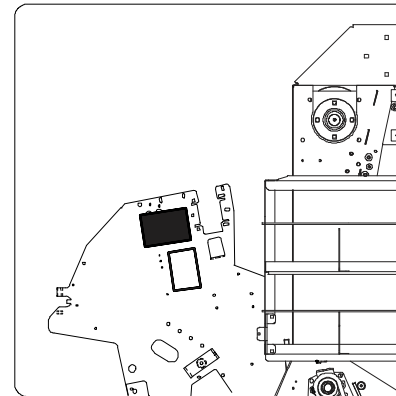
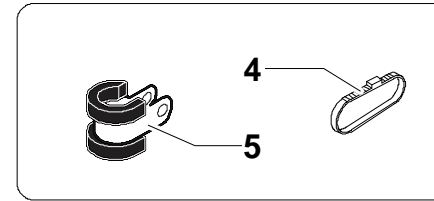
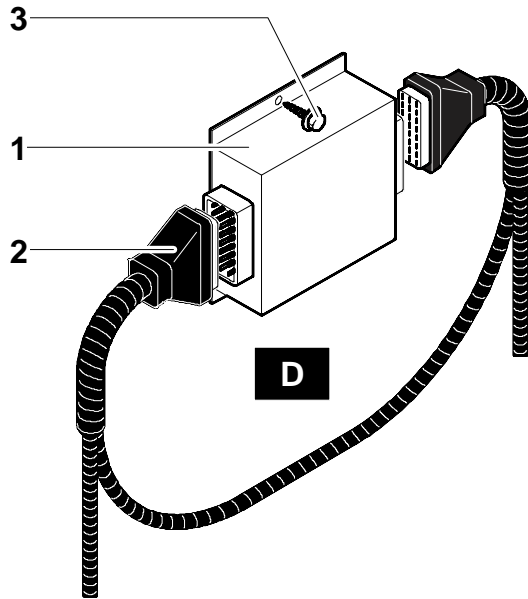
1

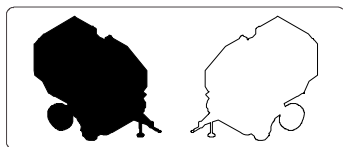


2



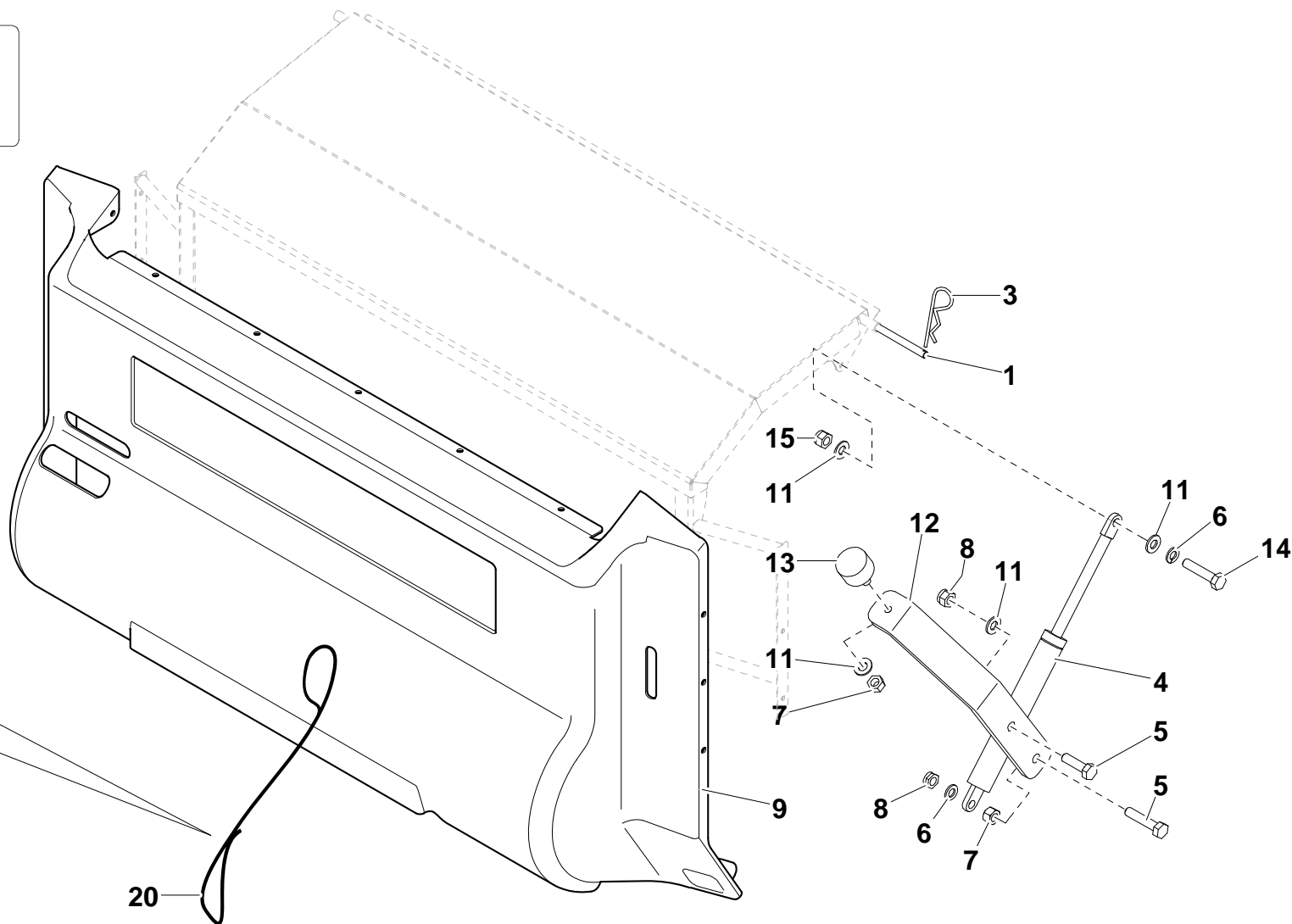
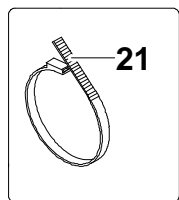
MODELS	
T	■
N	■
NT	■

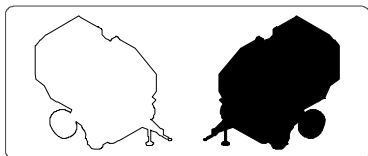




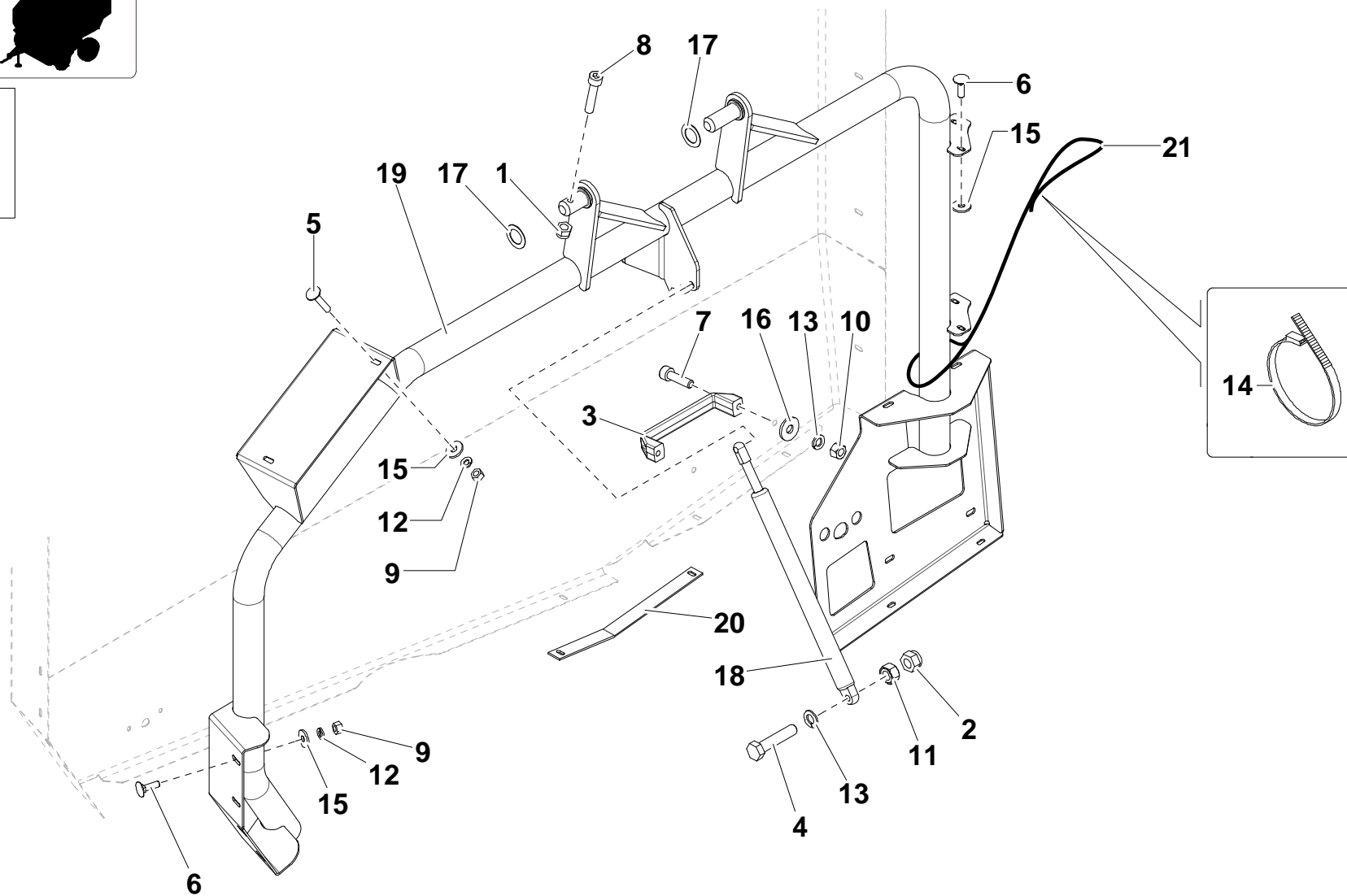
MODELS

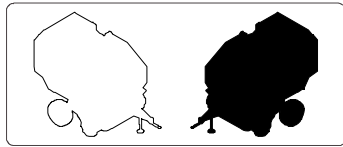
T
N
NT





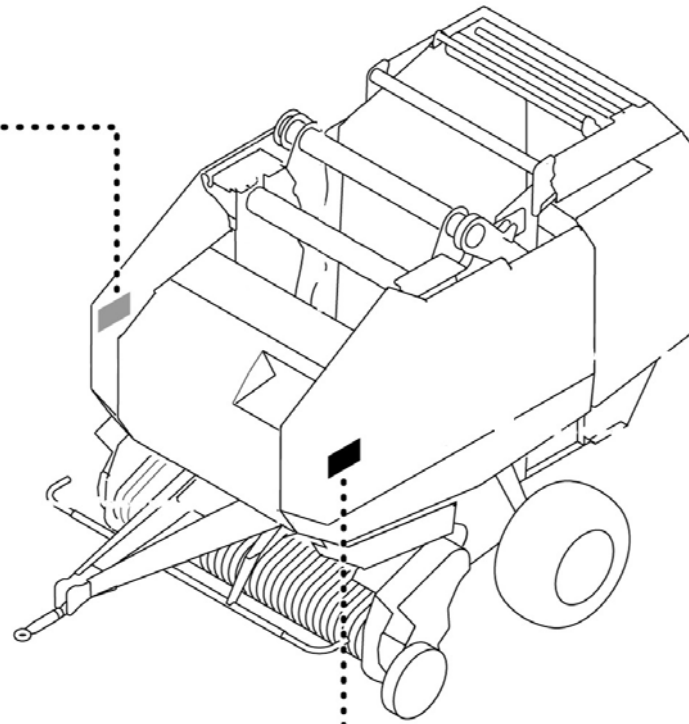
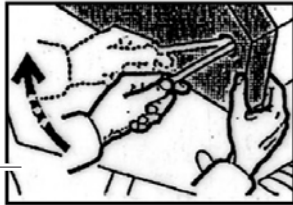
MODELS	
T	■
N	■
NT	■





MODELS	
T	■
N	■
NT	■

1



2





3

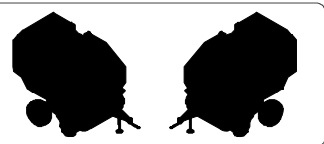


1



6

2



MODELS	
T	■
N	■
NT	■



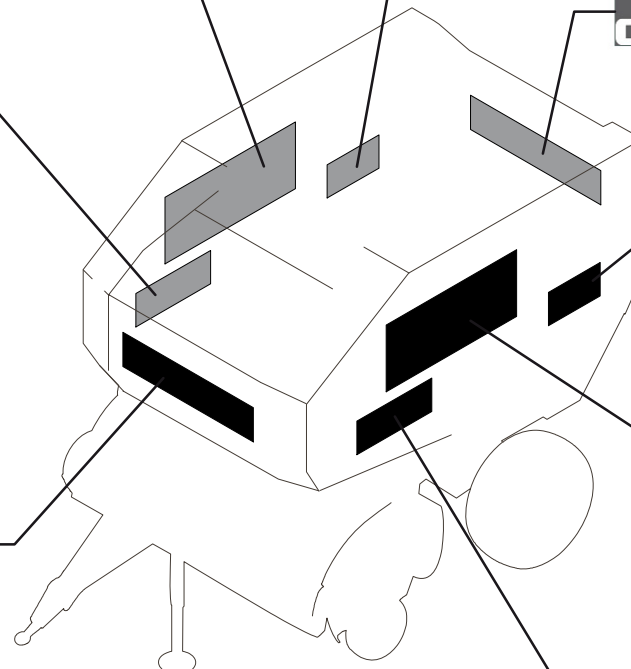
5



4



1



CLICK HERE TO **DOWNLOAD** THE COMPLETE MANUAL

- Thank you very much for reading the preview of the manual.
- You can download the complete manual from: www.heydownloads.com by clicking the link below



- Please note: If there is no response to CLICKING the link, please download this PDF first and then click on it.

CLICK HERE TO **DOWNLOAD** THE COMPLETE MANUAL