

GACH32
L - LRe - LR

CATALOGO PARTI DI RICAMBIO

*SPARE PARTS LIST
ERSATZTEILKATALOG
PIECES DE RECHANGE
CATÁLOGO REPUESTOS*

Code	GACH32L_SPL	Edition	05-2013
I ▶	SN KB164390	▶ I	

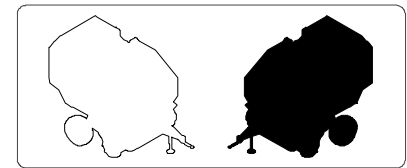
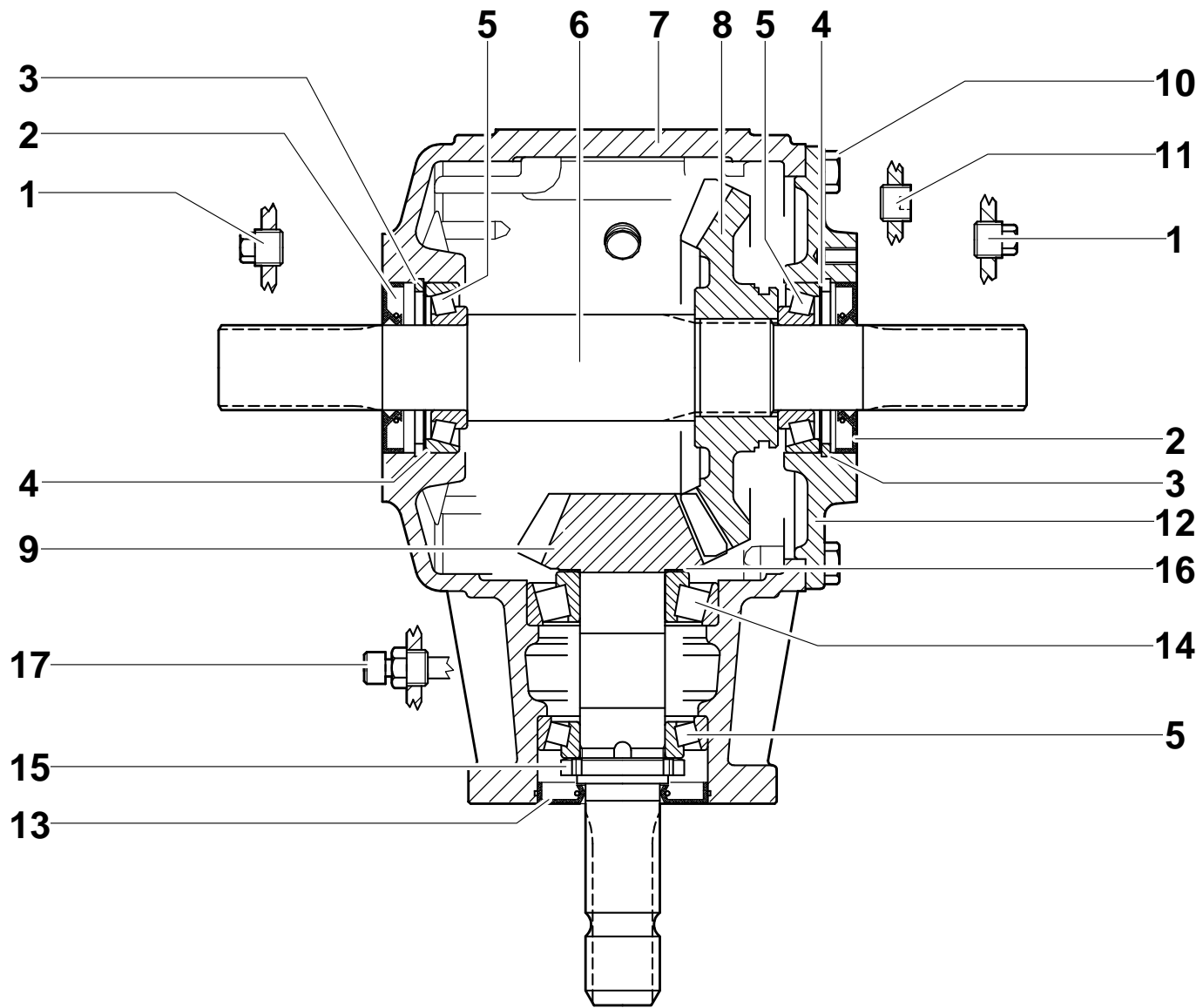
CLICK HERE TO **DOWNLOAD** THE COMPLETE MANUAL

- Thank you very much for reading the preview of the manual.
- You can download the complete manual from: www.heydownloads.com by clicking the link below

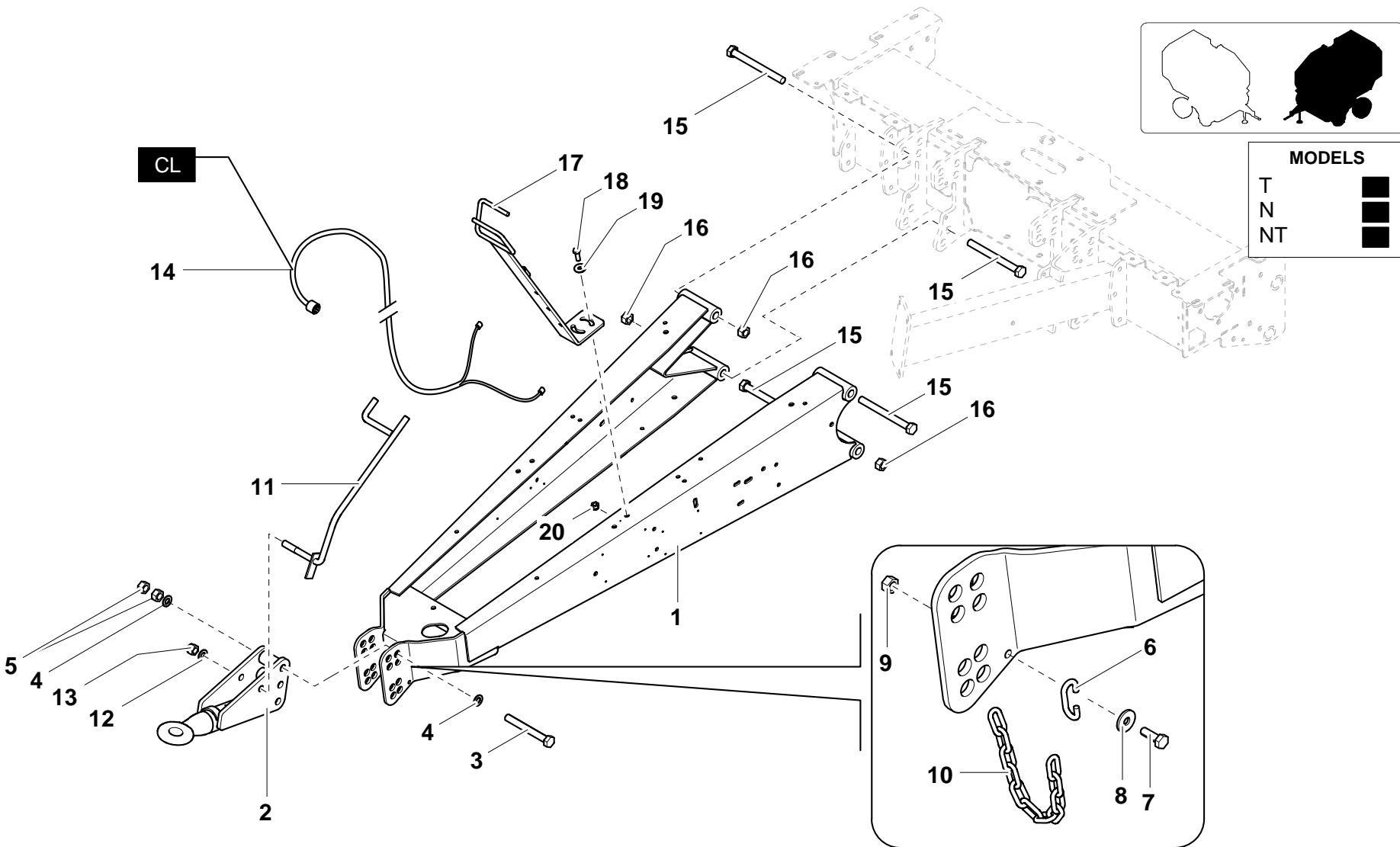


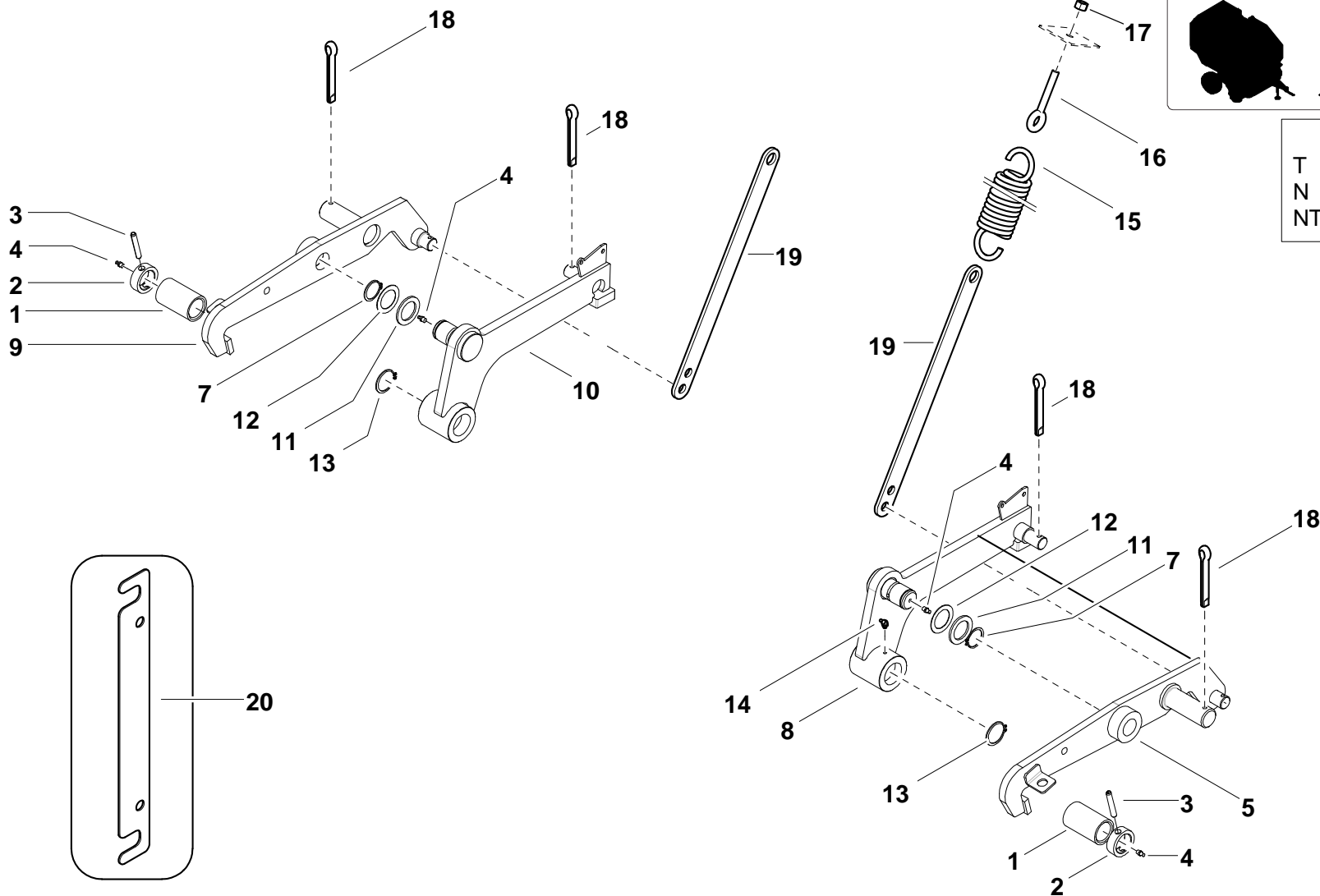
- Please note: If there is no response to CLICKING the link, please download this PDF first and then click on it.

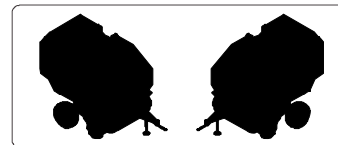
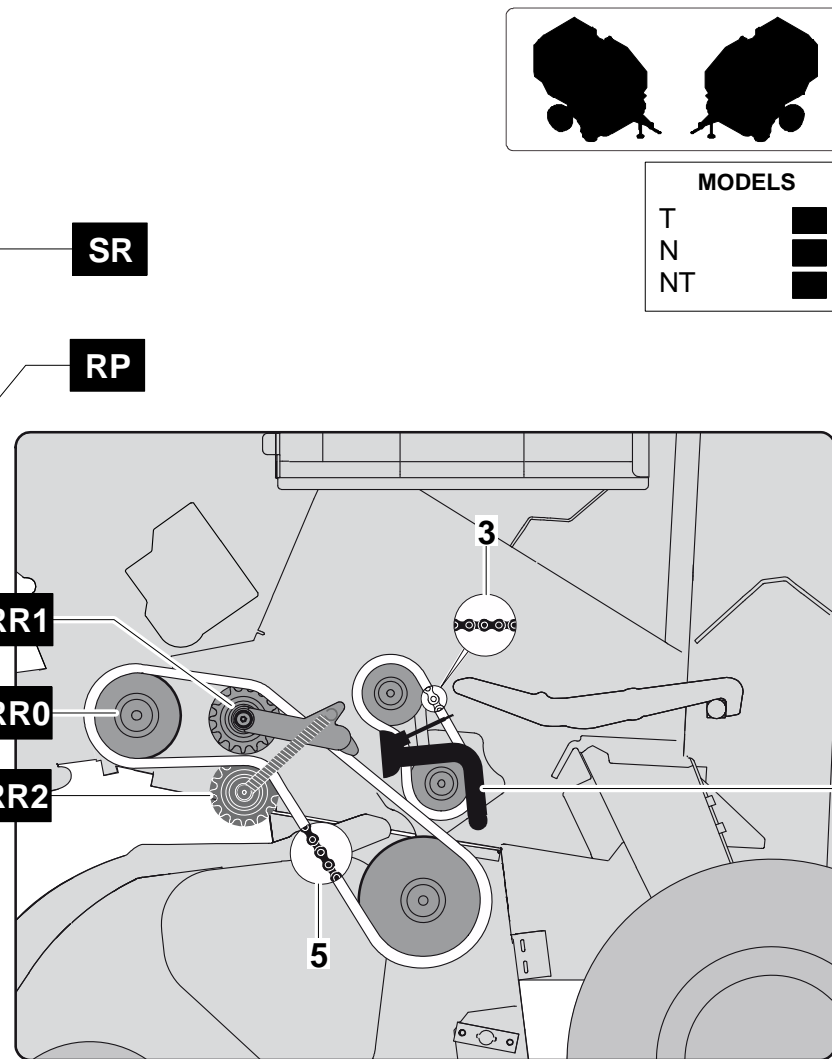
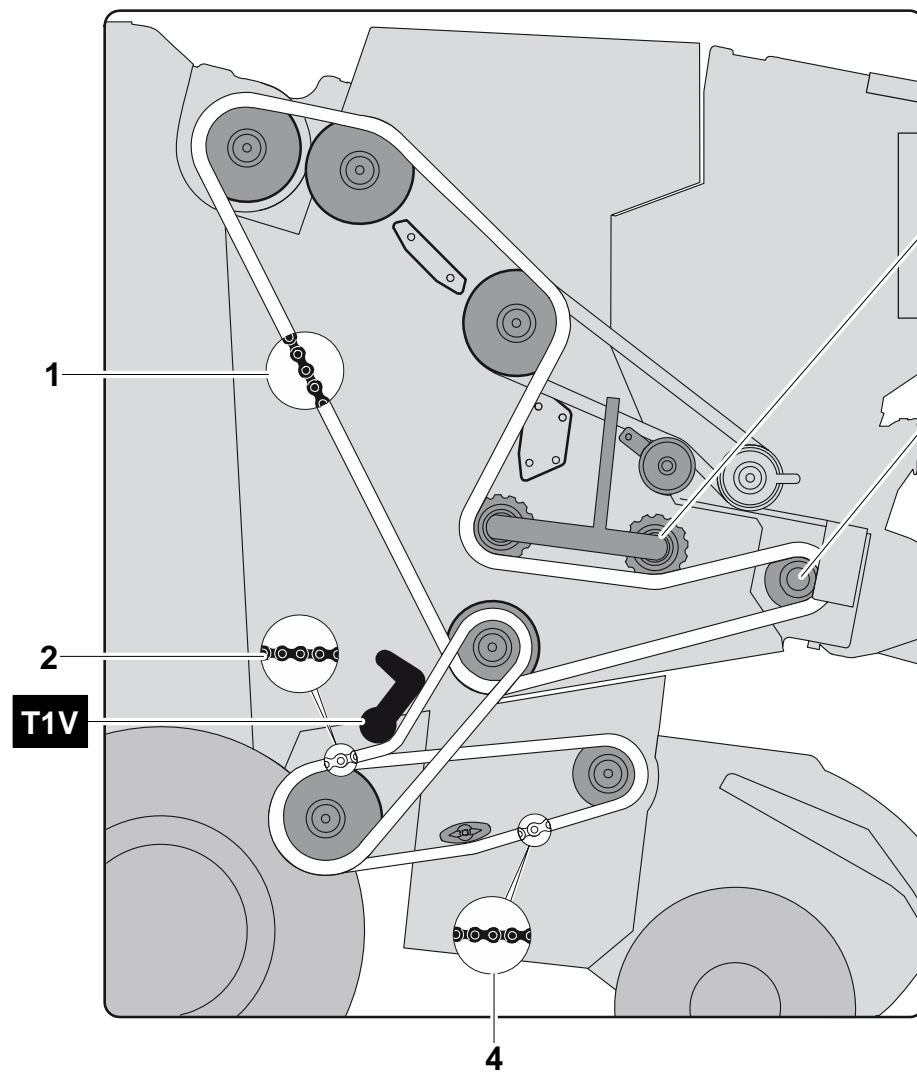
CLICK HERE TO **DOWNLOAD** THE COMPLETE MANUAL



MODELS	
T	■
N	■
NT	■



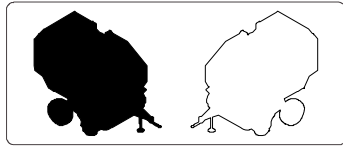




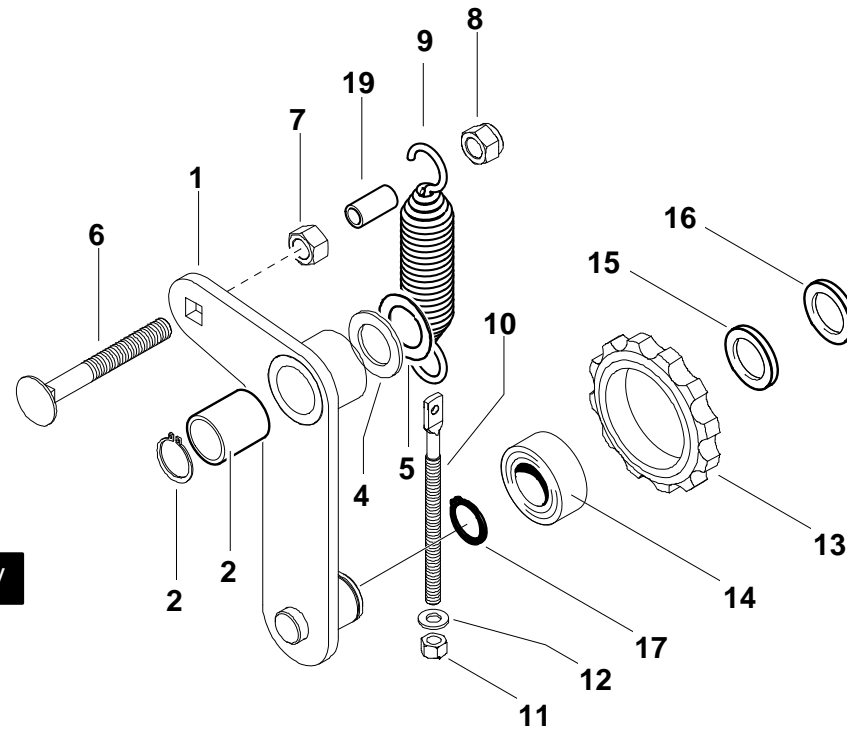
MODELS	
T	■
N	■
NT	■

SR

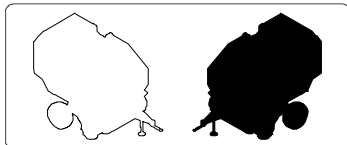
RP



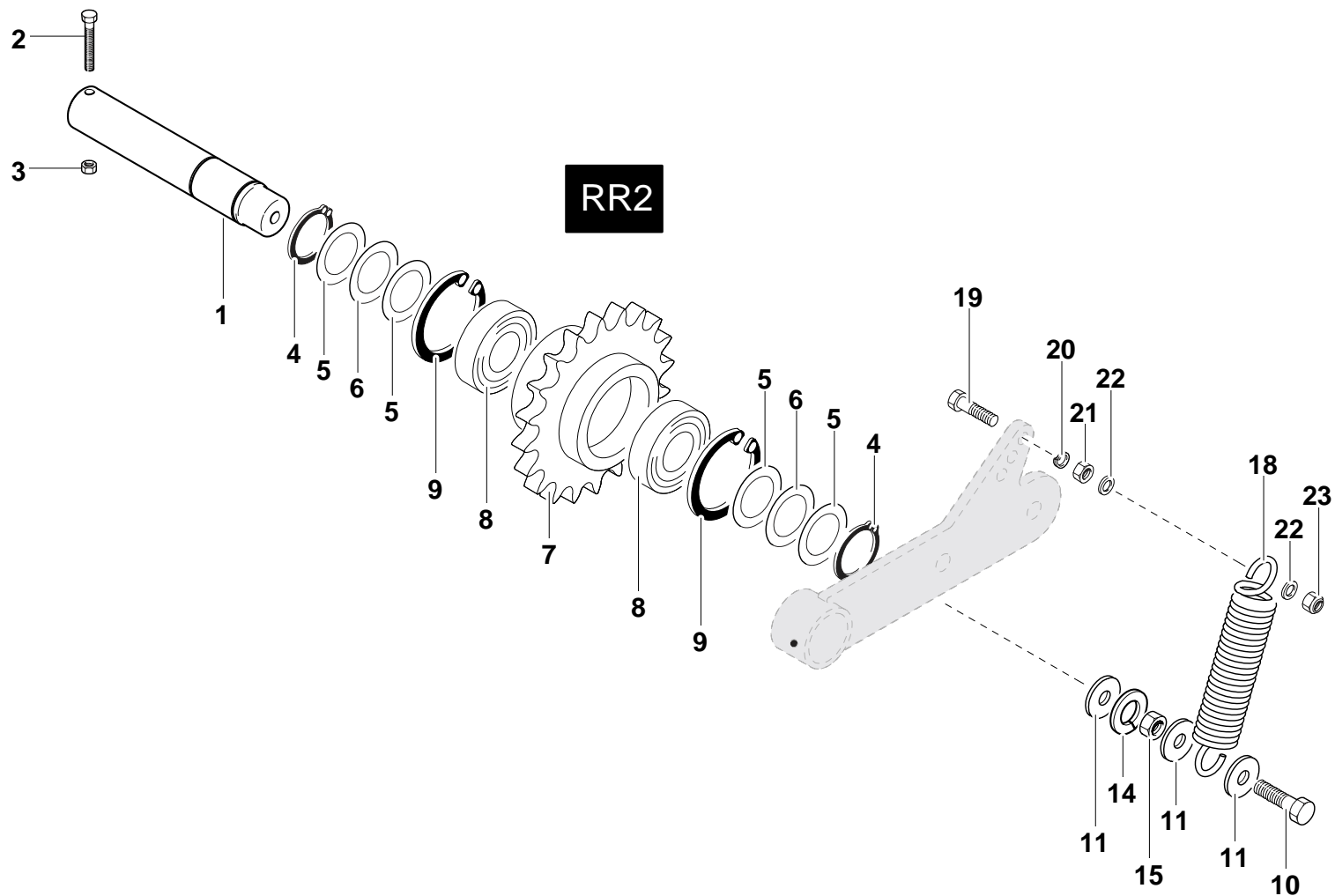
MODELS

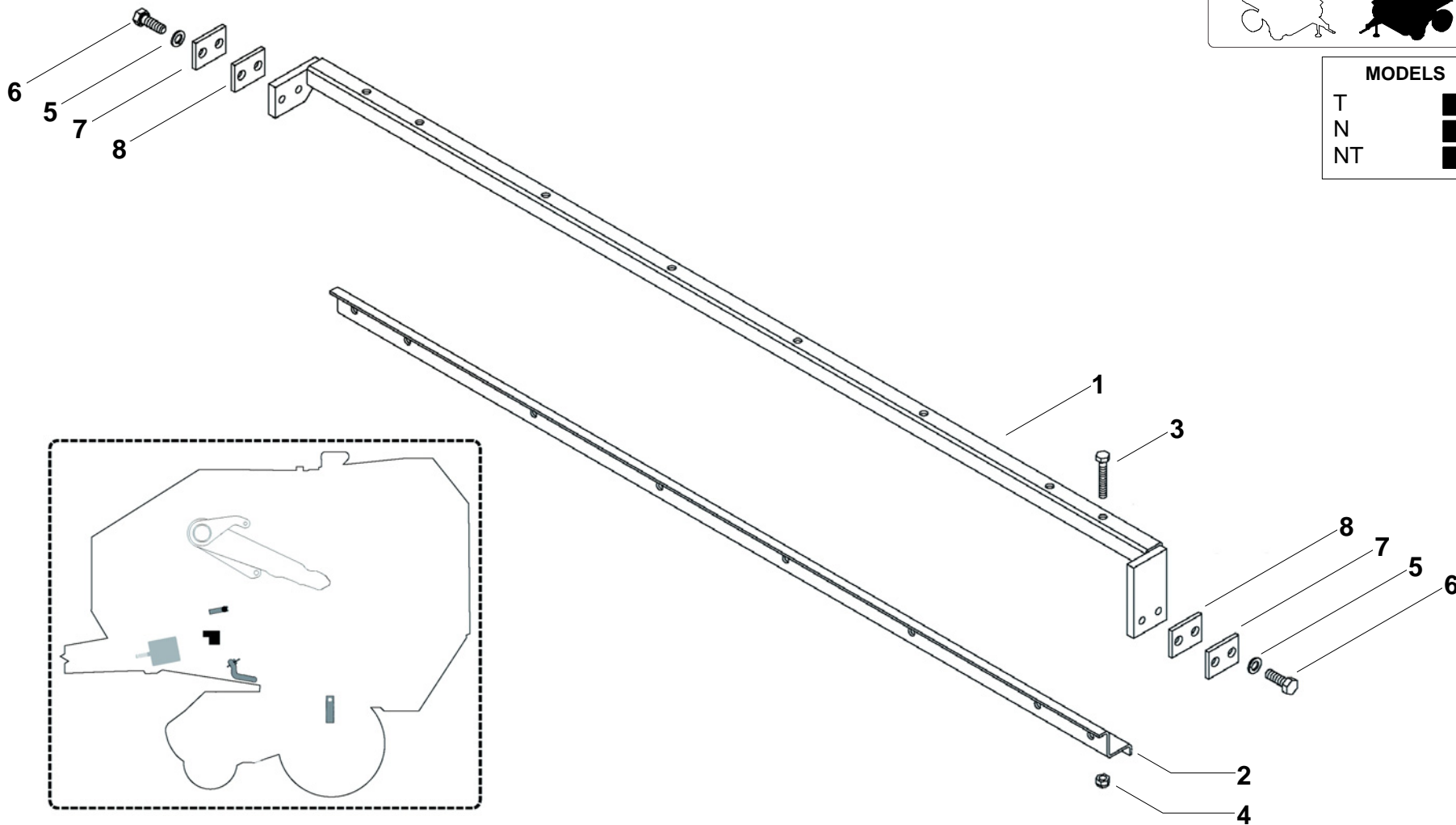
T
N
NT

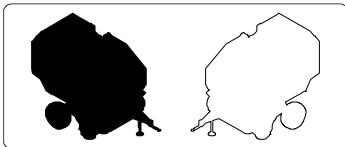
T1V



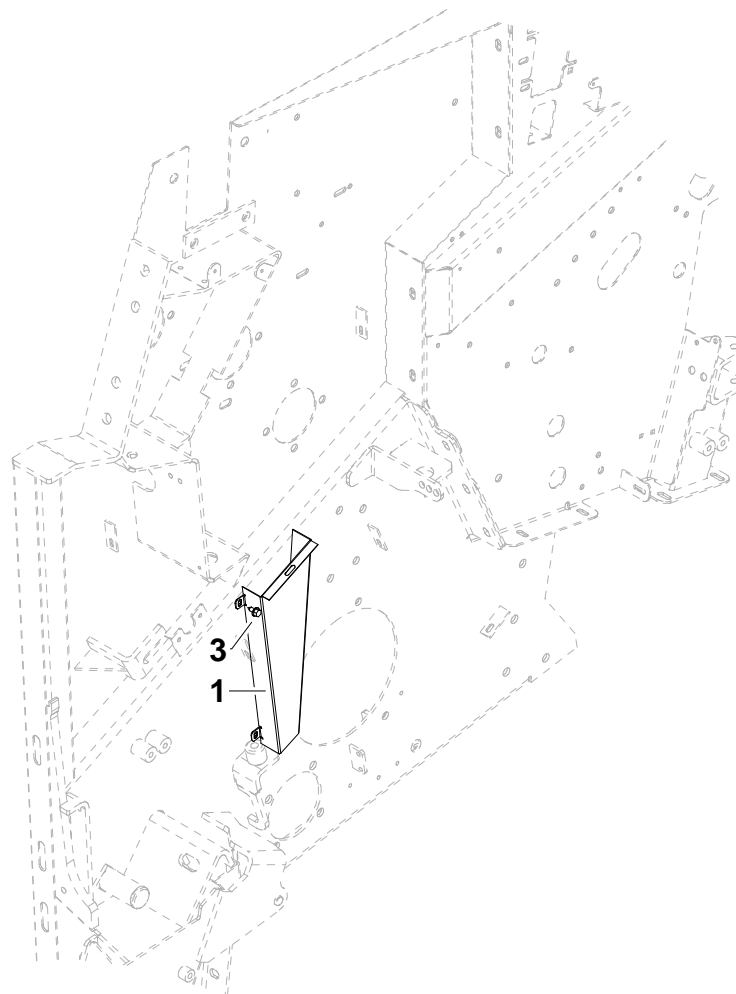
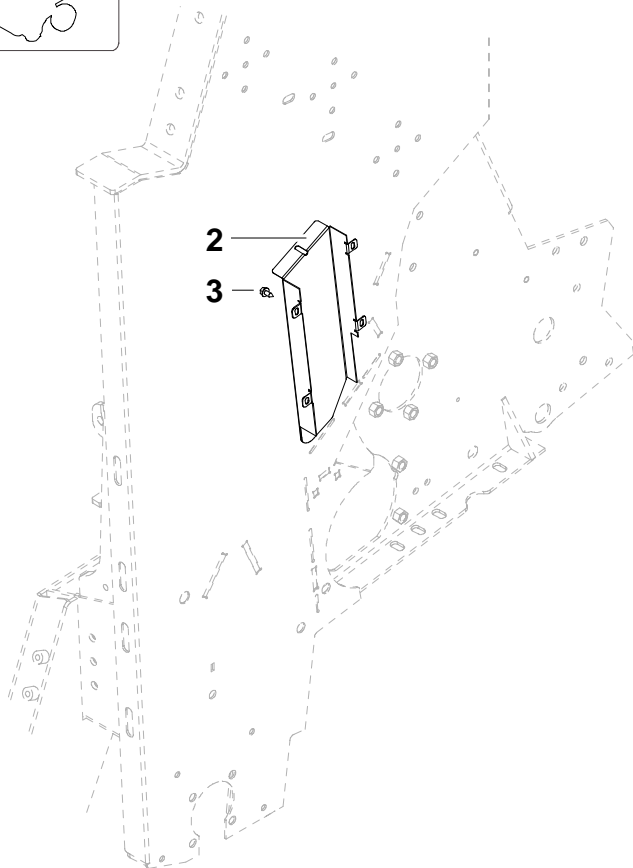
MODELS	
T	■
N	■
NT	■

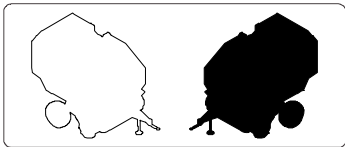




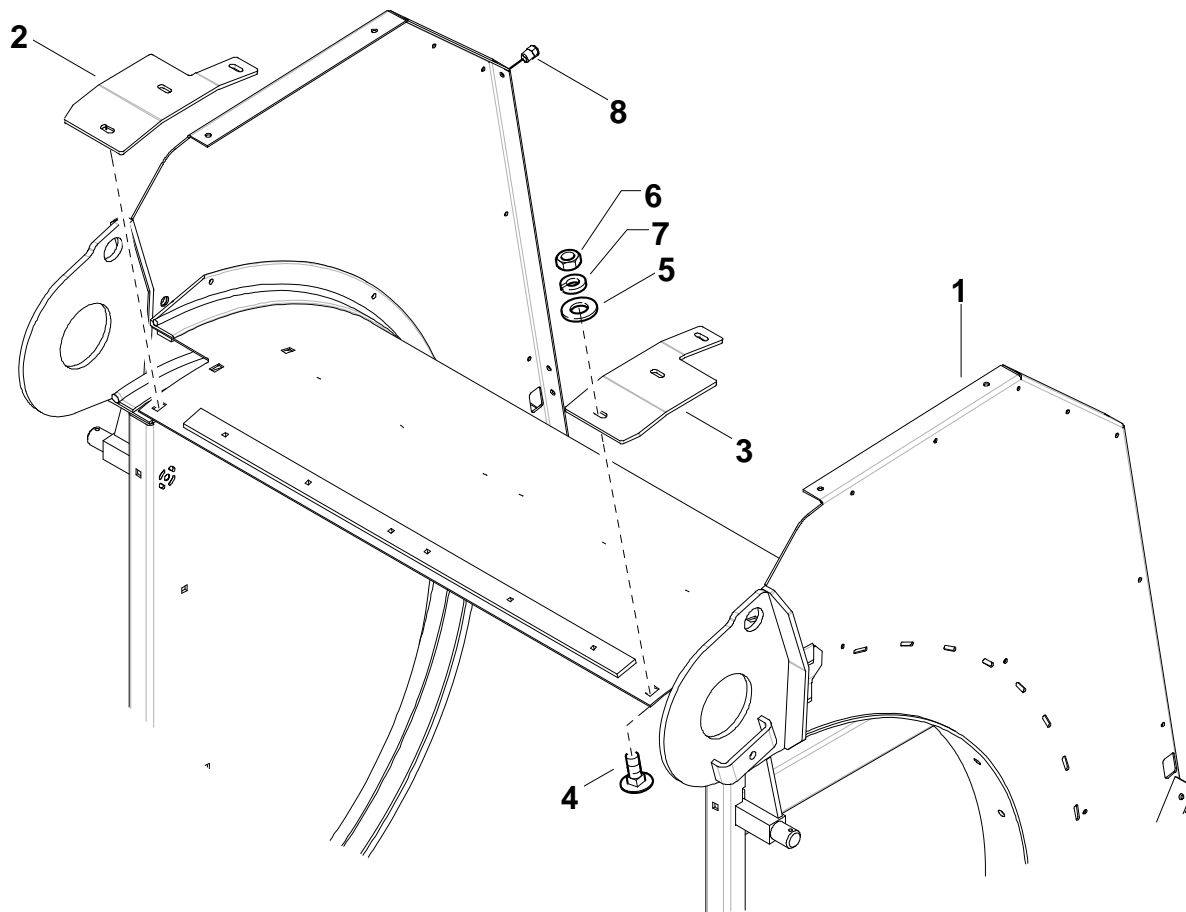


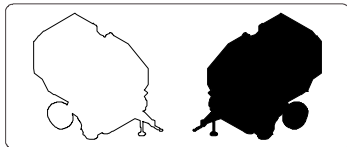
MODELS	
T	■
N	■
NT	■



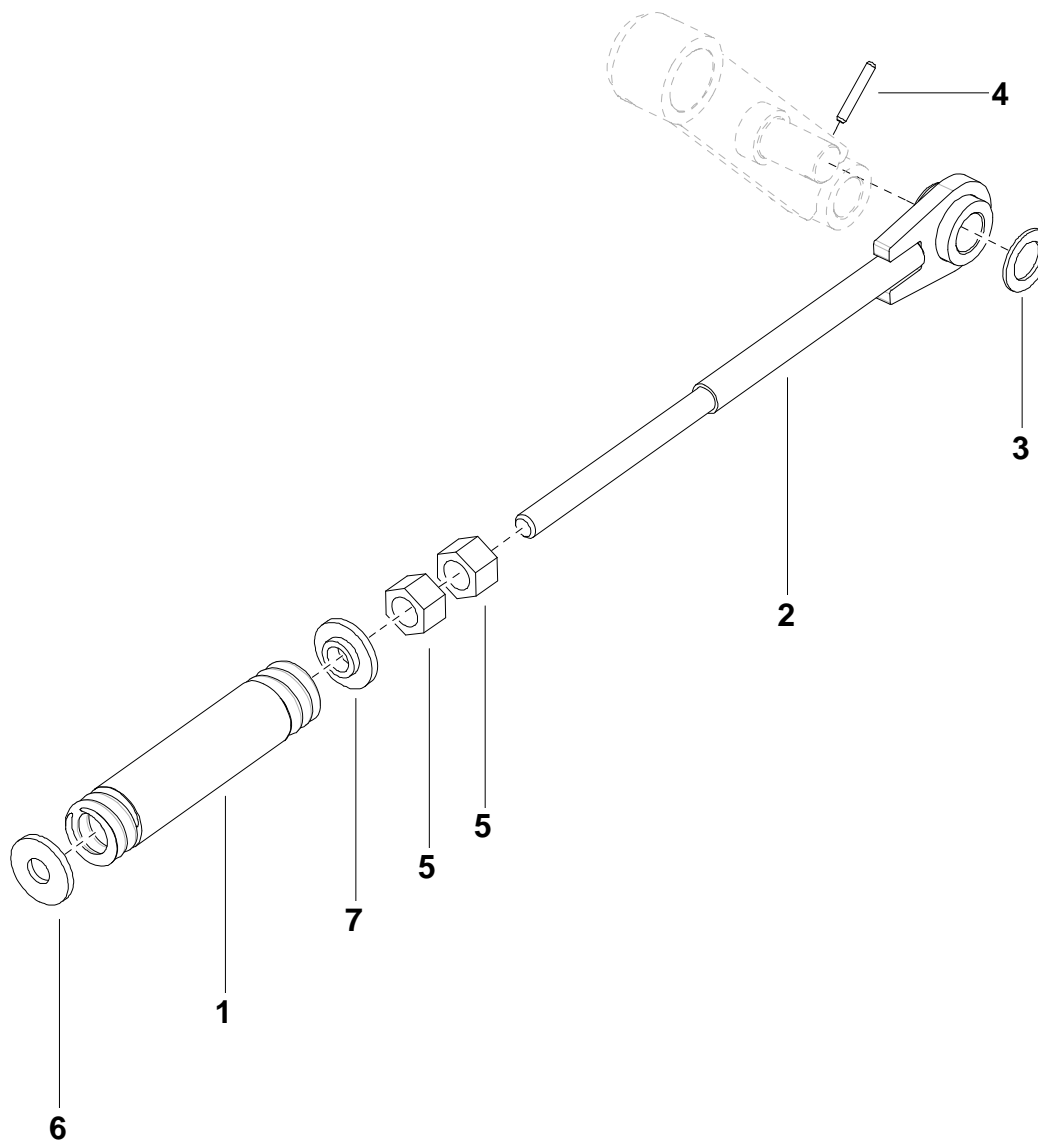


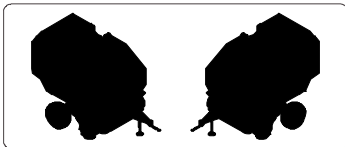
MODELS	
T	■
N	■
NT	■





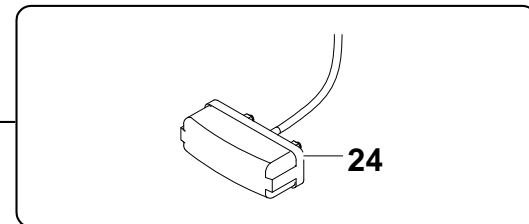
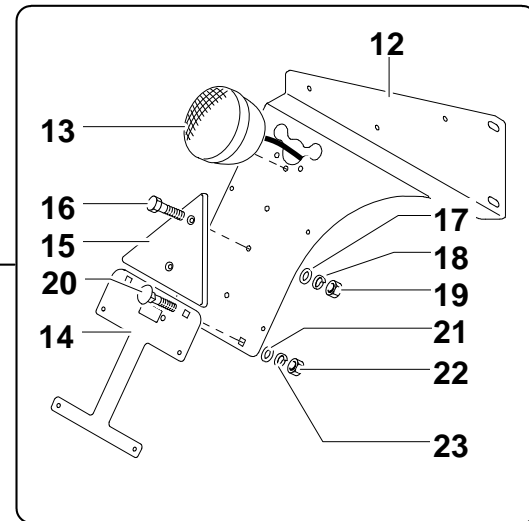
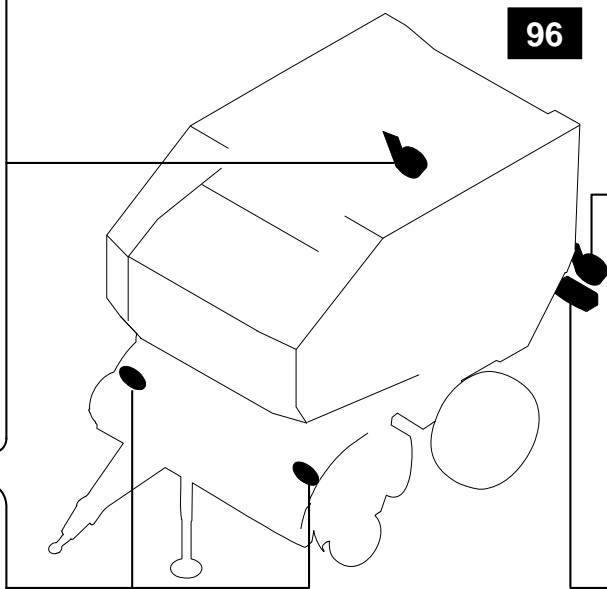
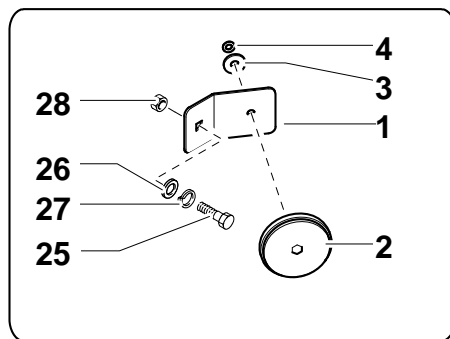
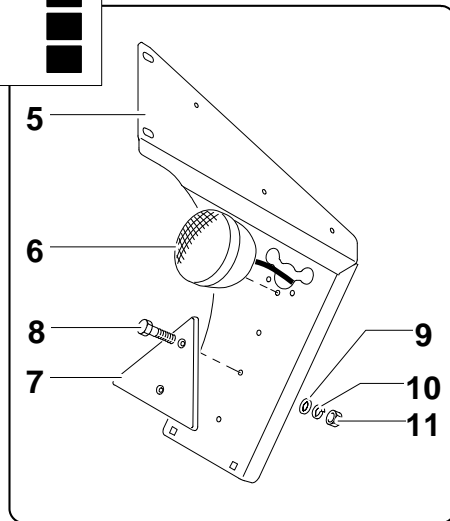
MODELS	
T	■
N	■
NT	■

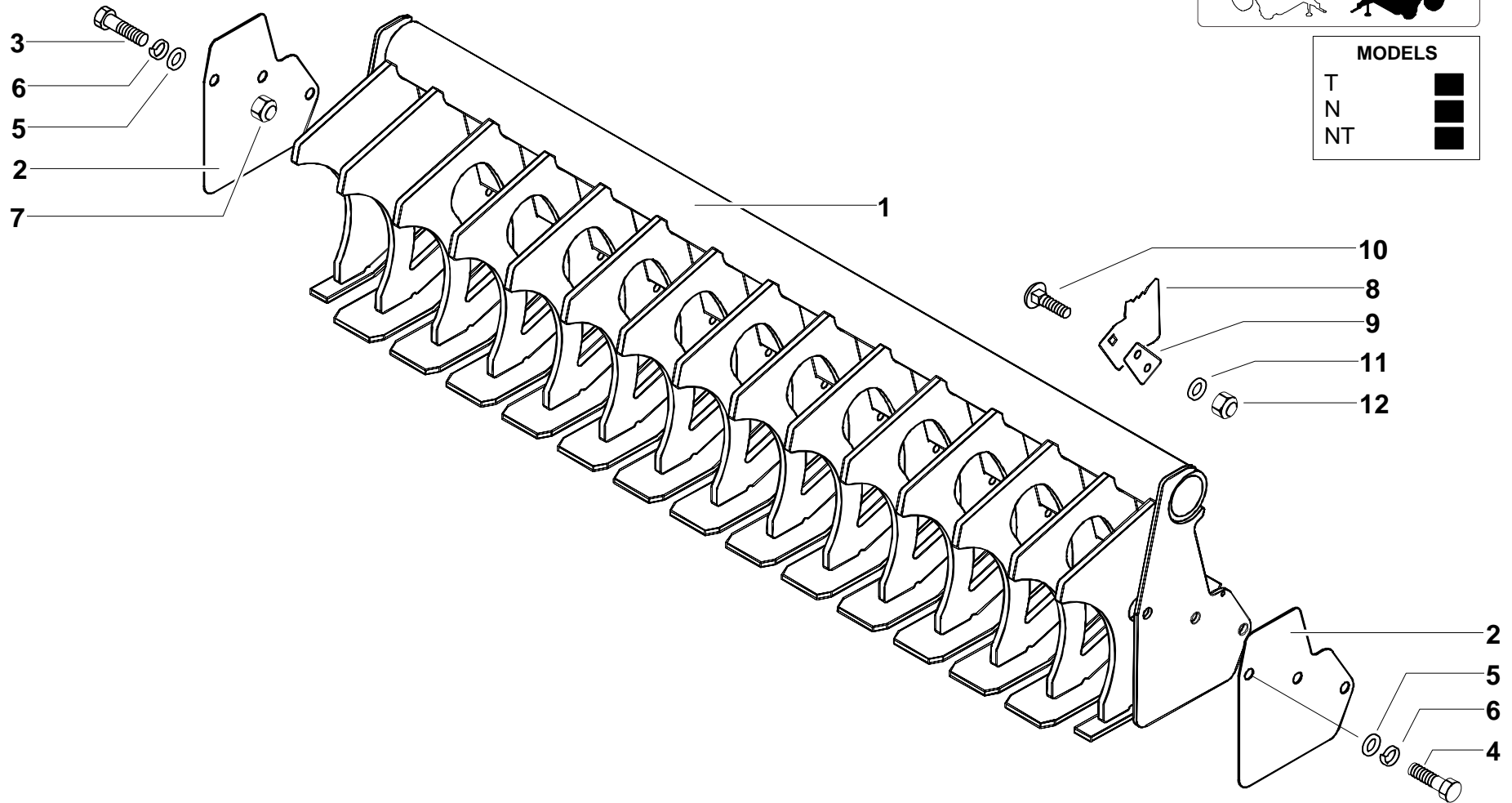


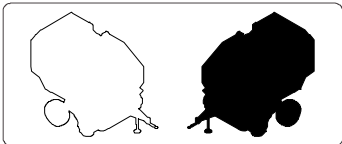
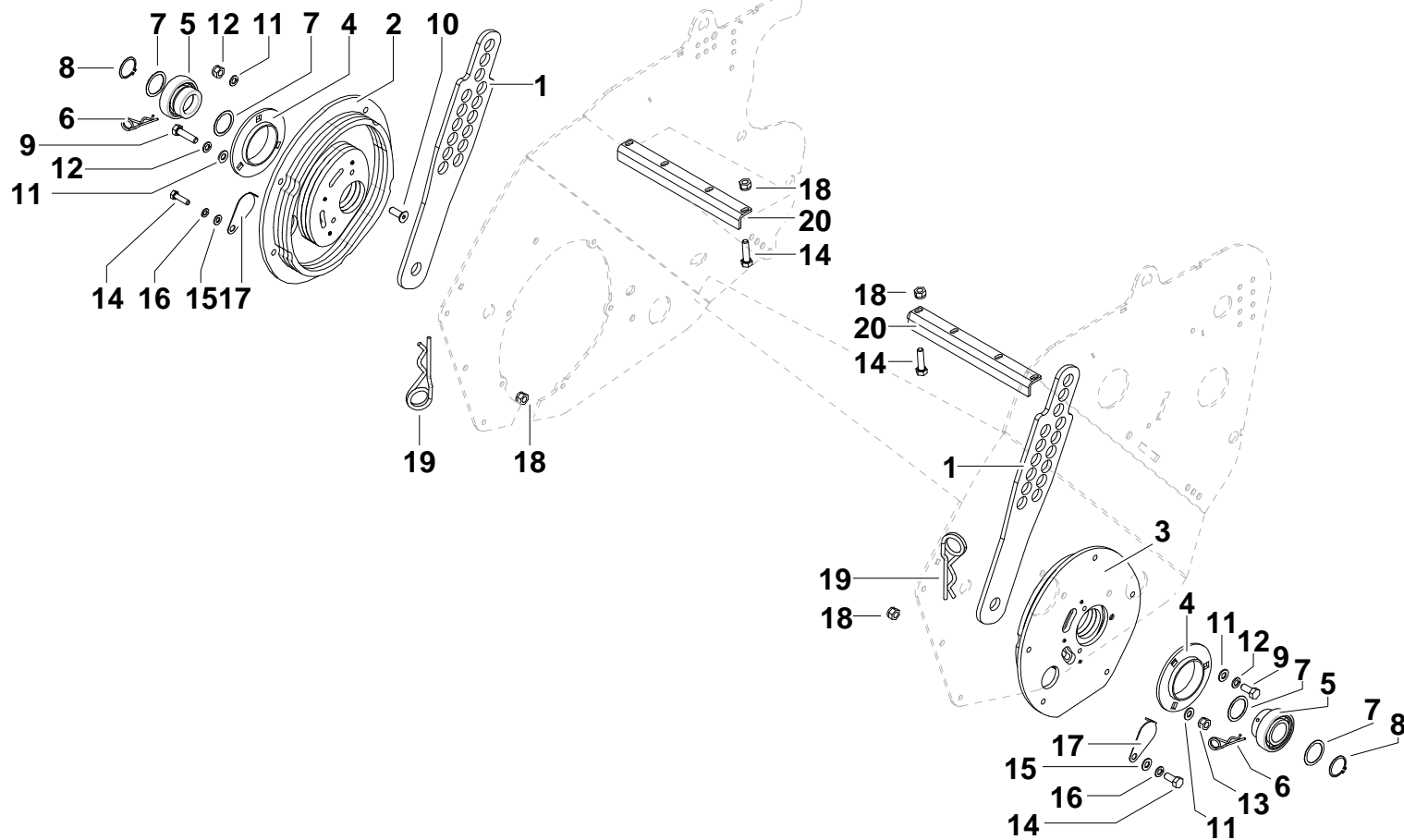


MODELS

T	■
N	■
NT	■







MODELS	
T	■
N	■
NT	■

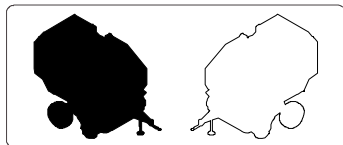
CLICK HERE TO **DOWNLOAD** THE COMPLETE MANUAL

- Thank you very much for reading the preview of the manual.
- You can download the complete manual from: www.heydownloads.com by clicking the link below



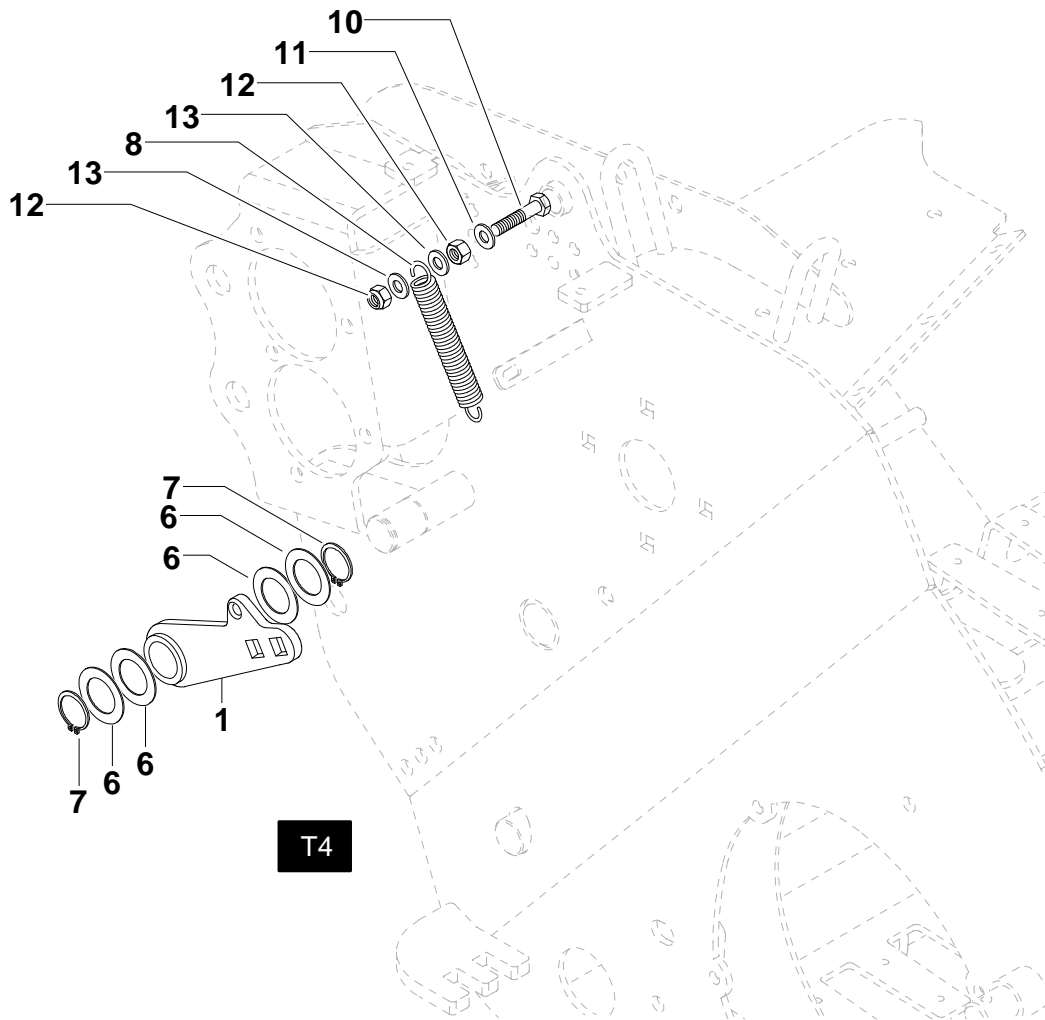
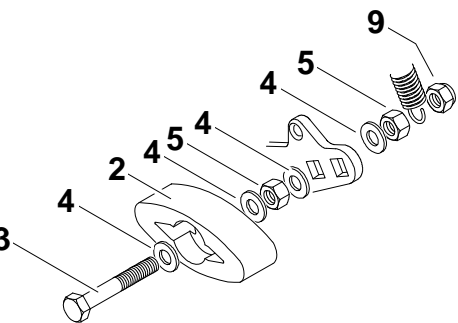
- Please note: If there is no response to CLICKING the link, please download this PDF first and then click on it.

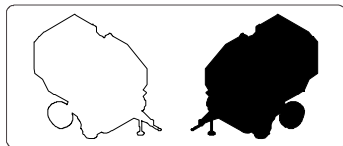
CLICK HERE TO **DOWNLOAD** THE COMPLETE MANUAL



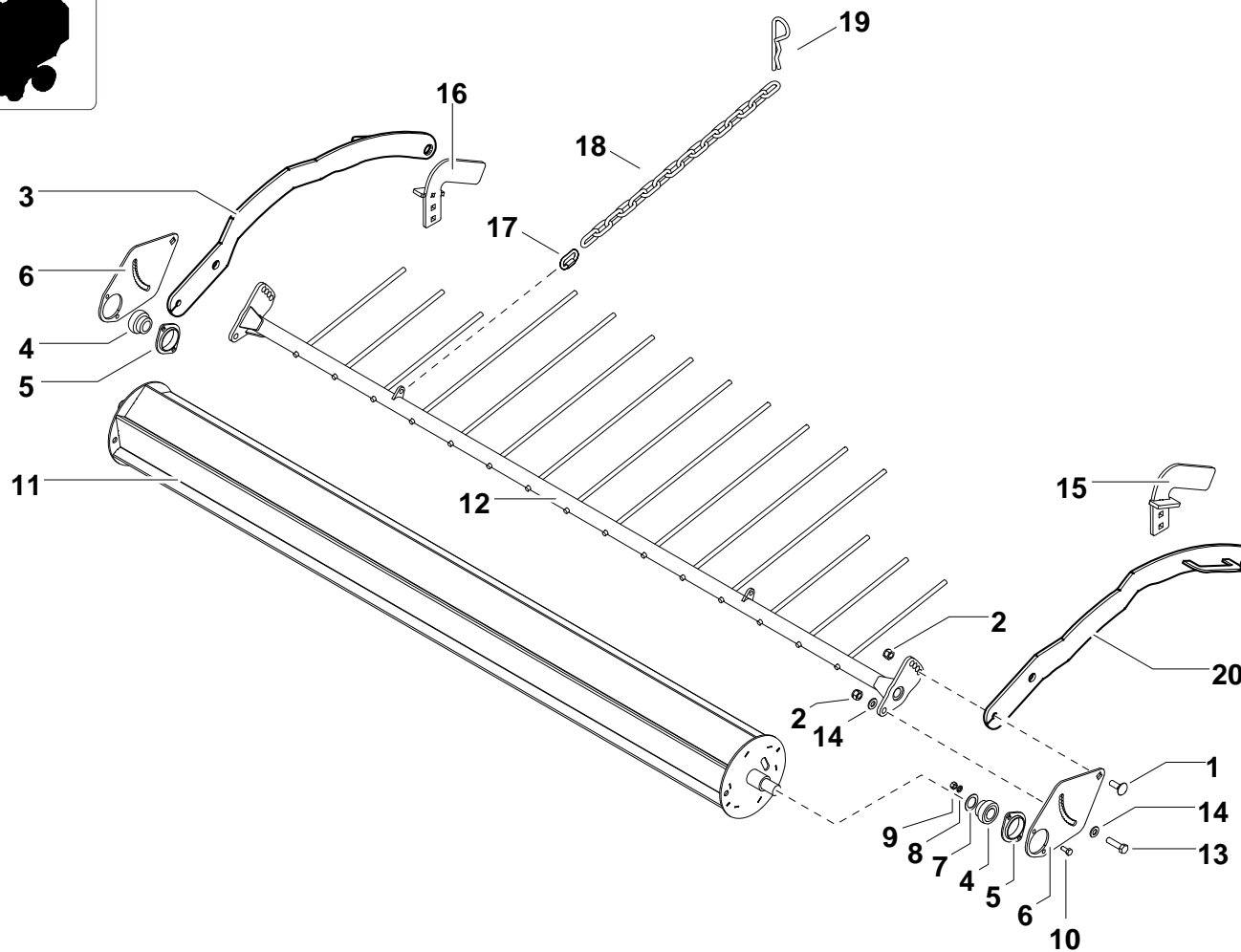
MODELS

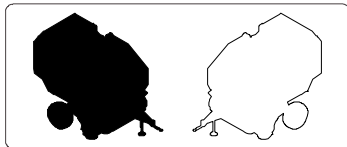
T
N
NT





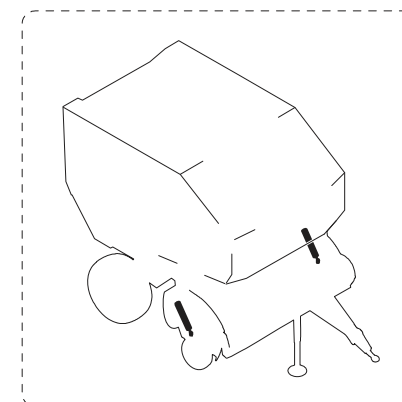
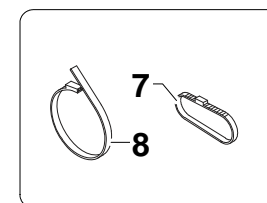
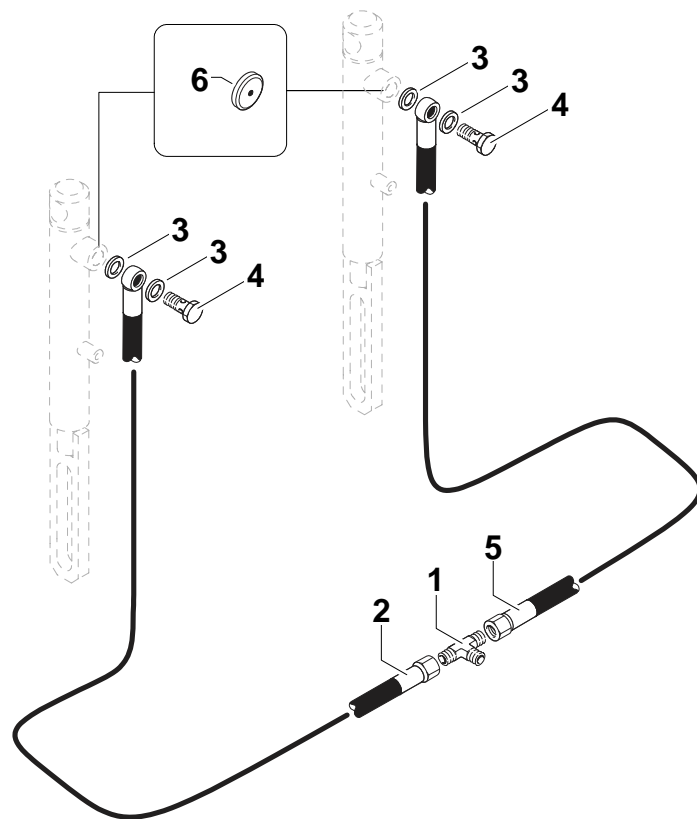
MODELS	
T	■
N	■
NT	■

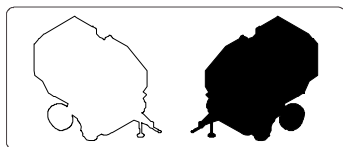




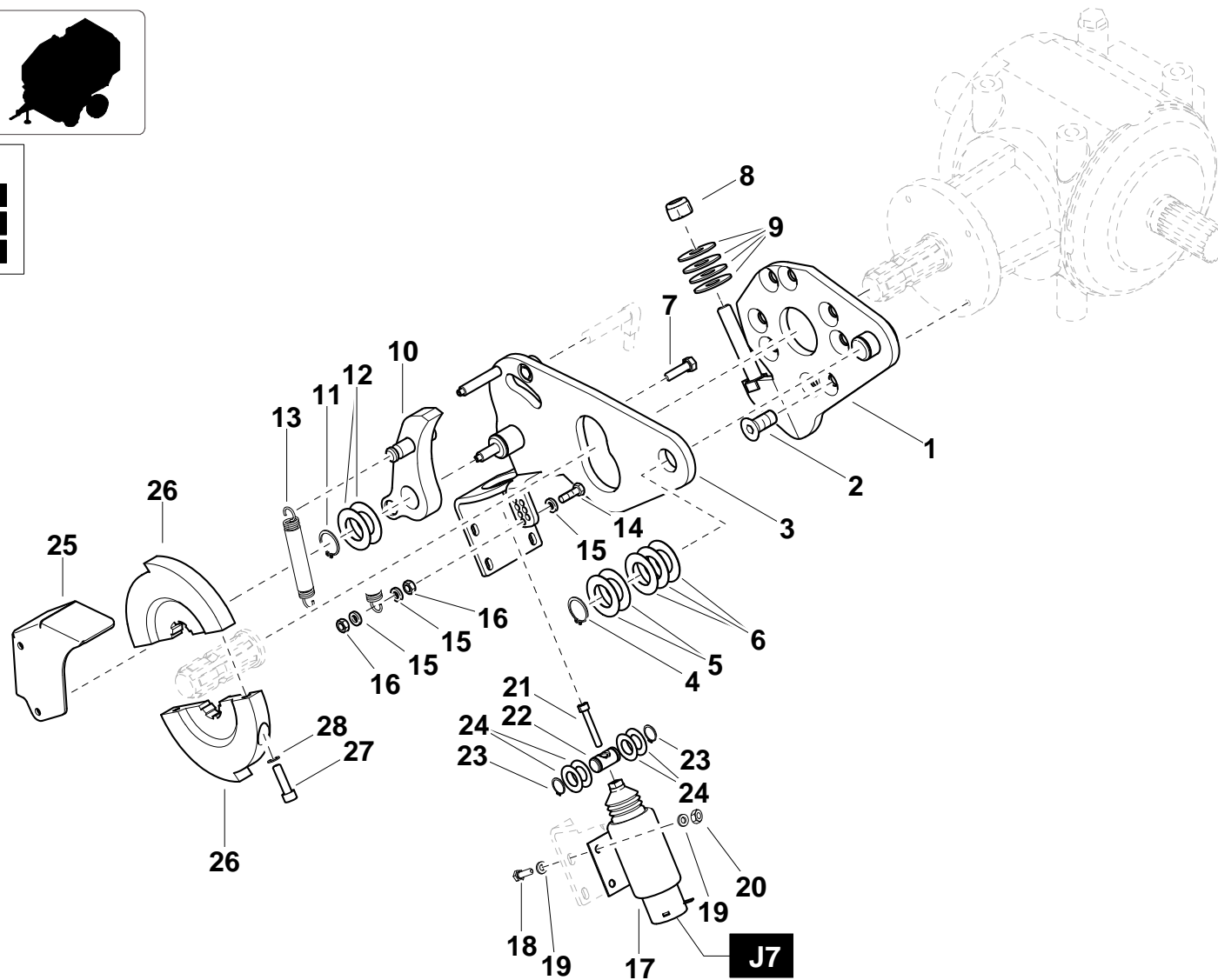
MODELS

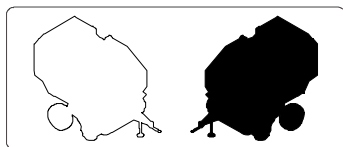
T	■
N	■
NT	■





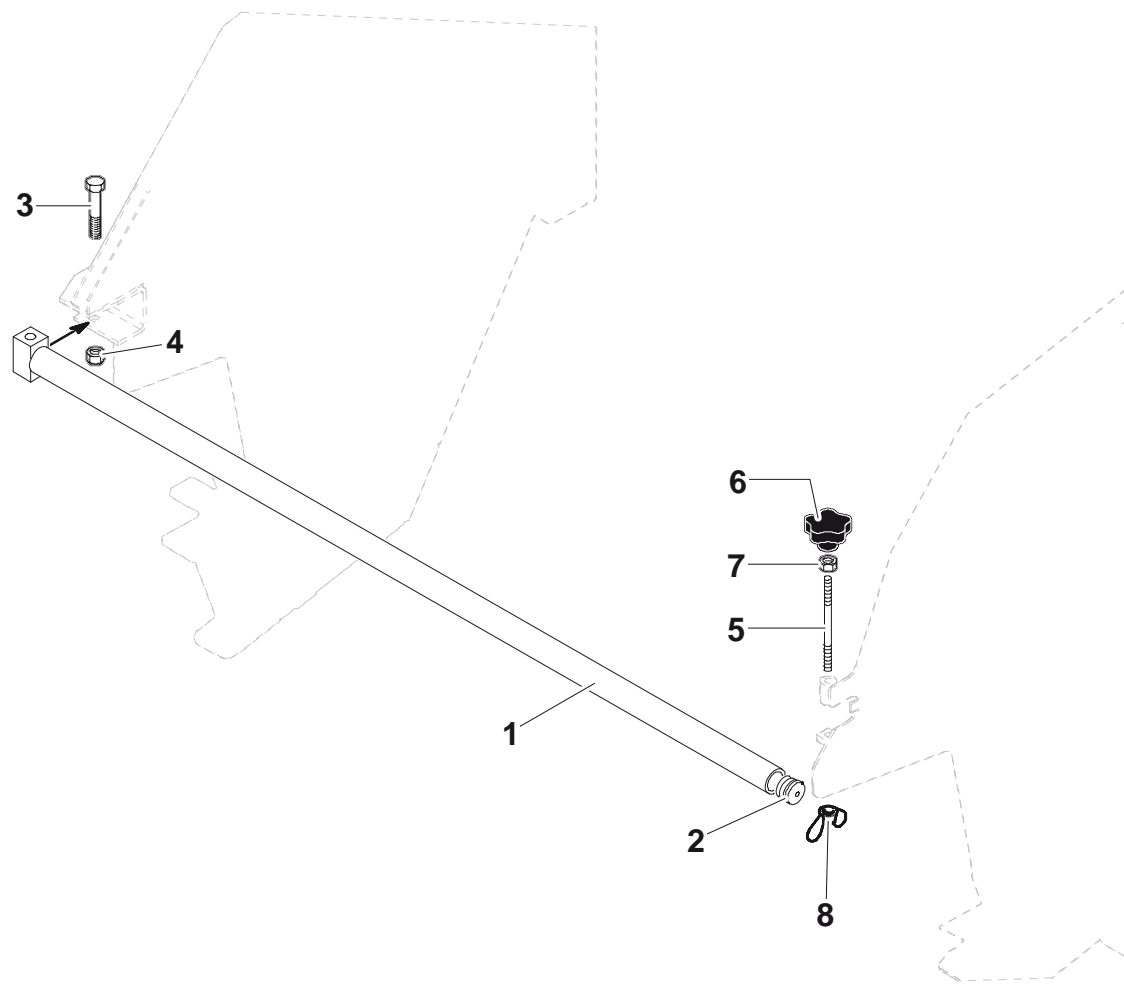
MODELS	
T	■
N	■
NT	■

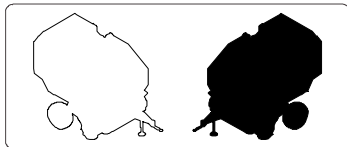




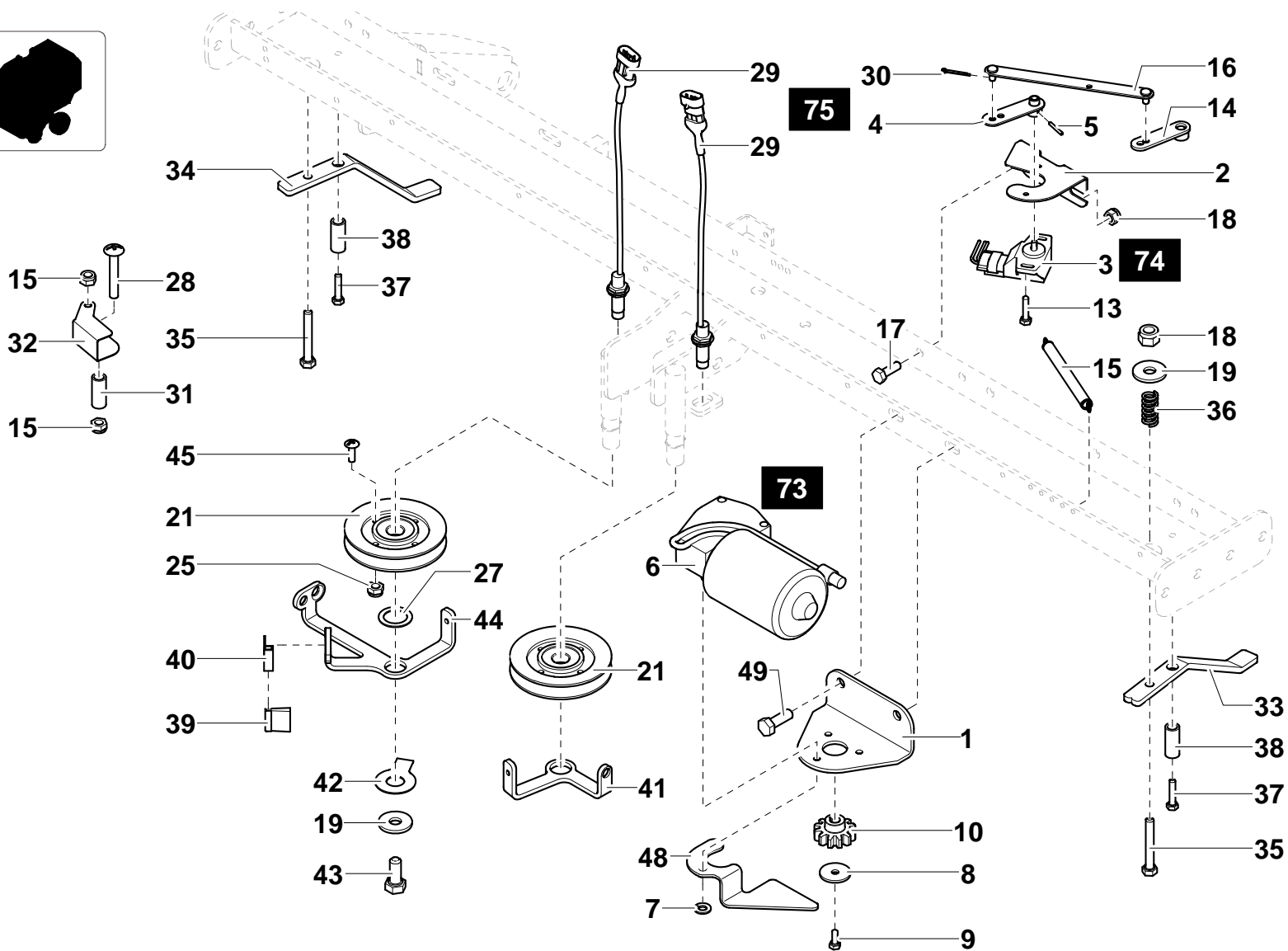
MODELS

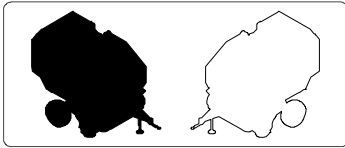
T
N
NT



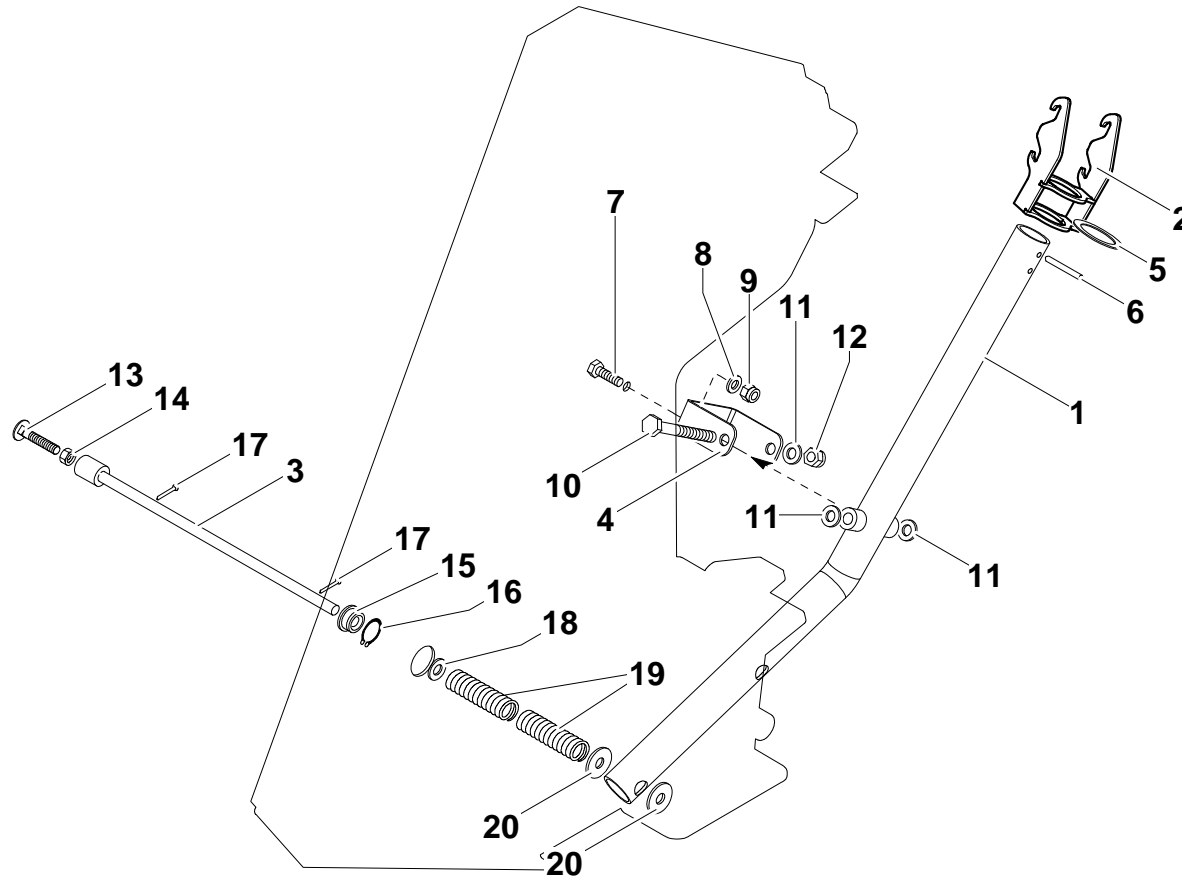


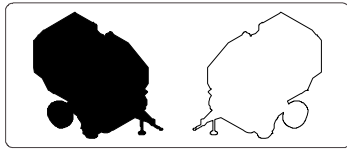
MODELS	
T	
N	
NT	



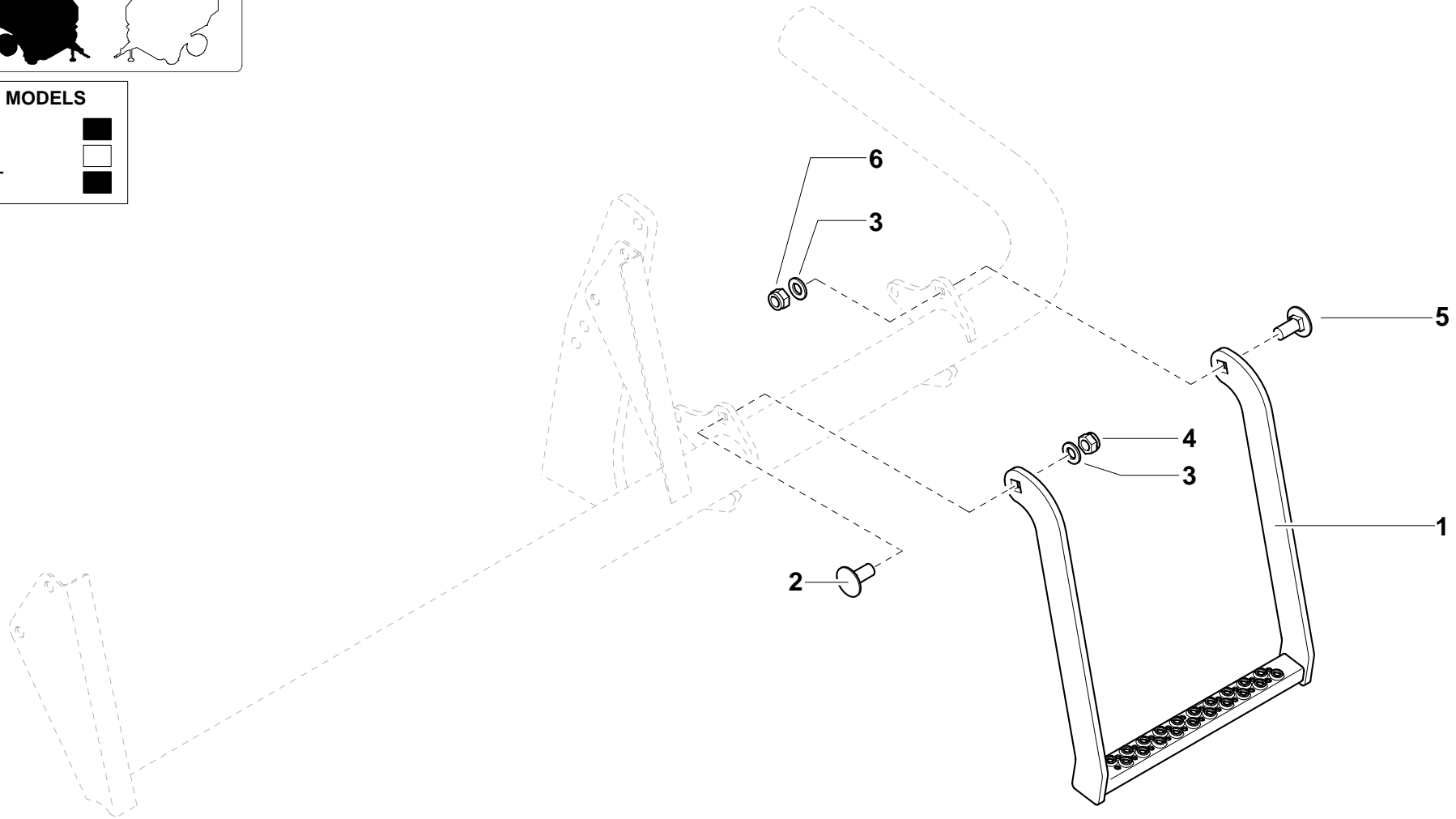


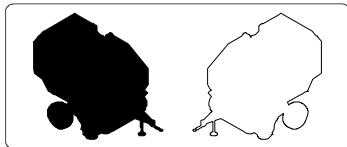
MODELS	
T	■
N	□
NT	■



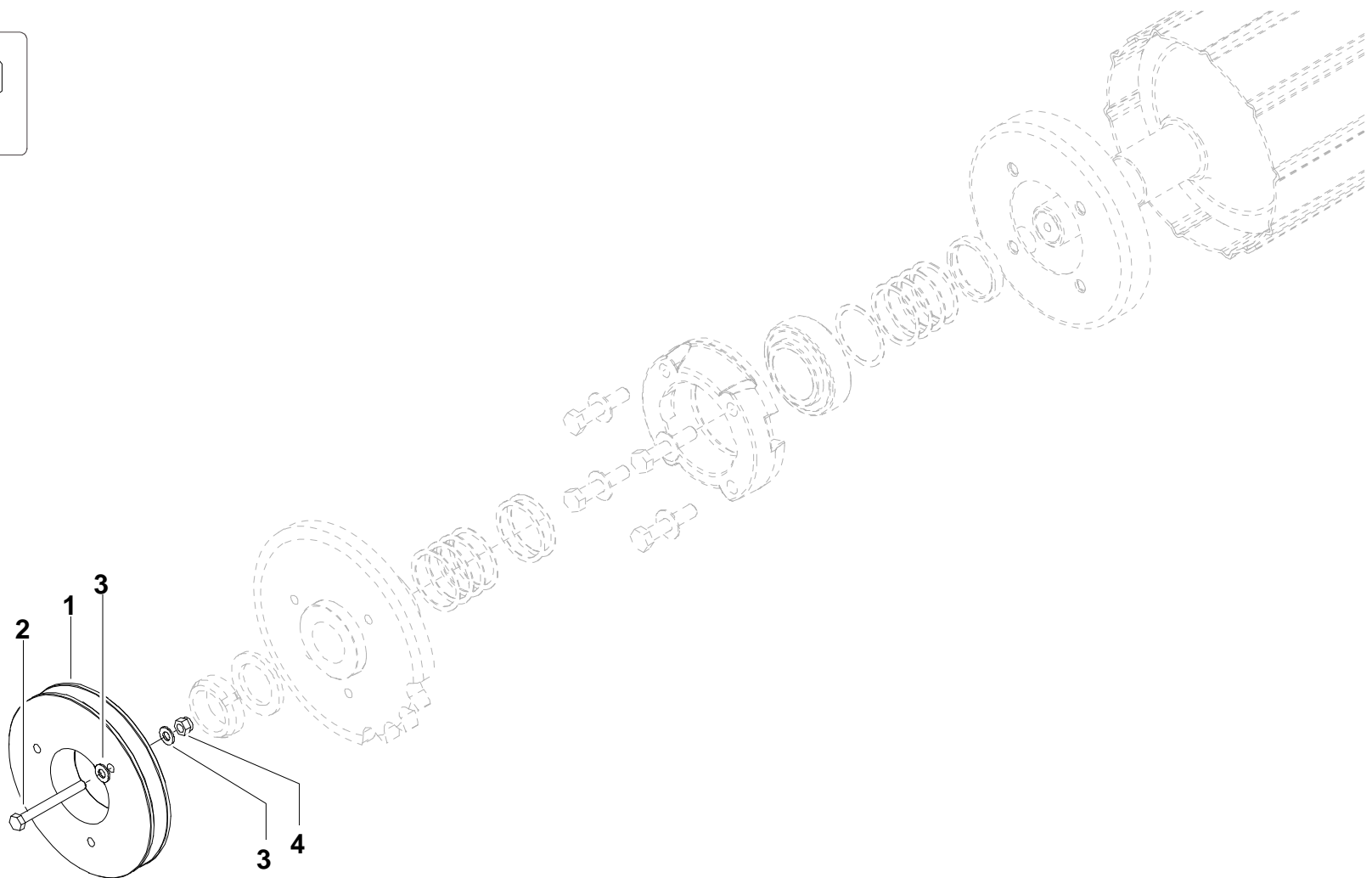


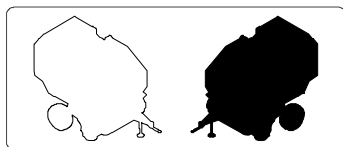
MODELS	
T	■
N	□
NT	■



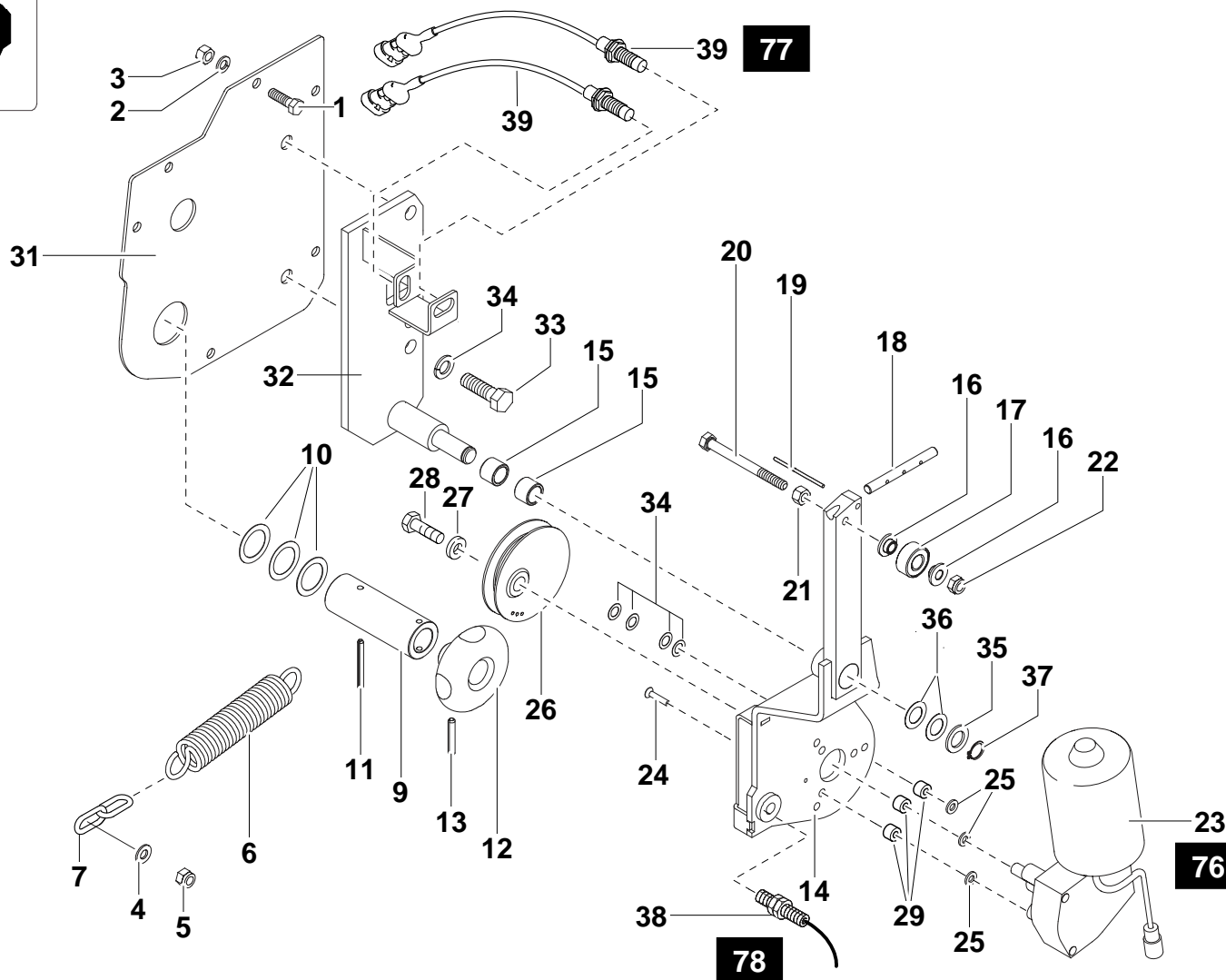


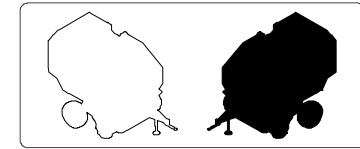
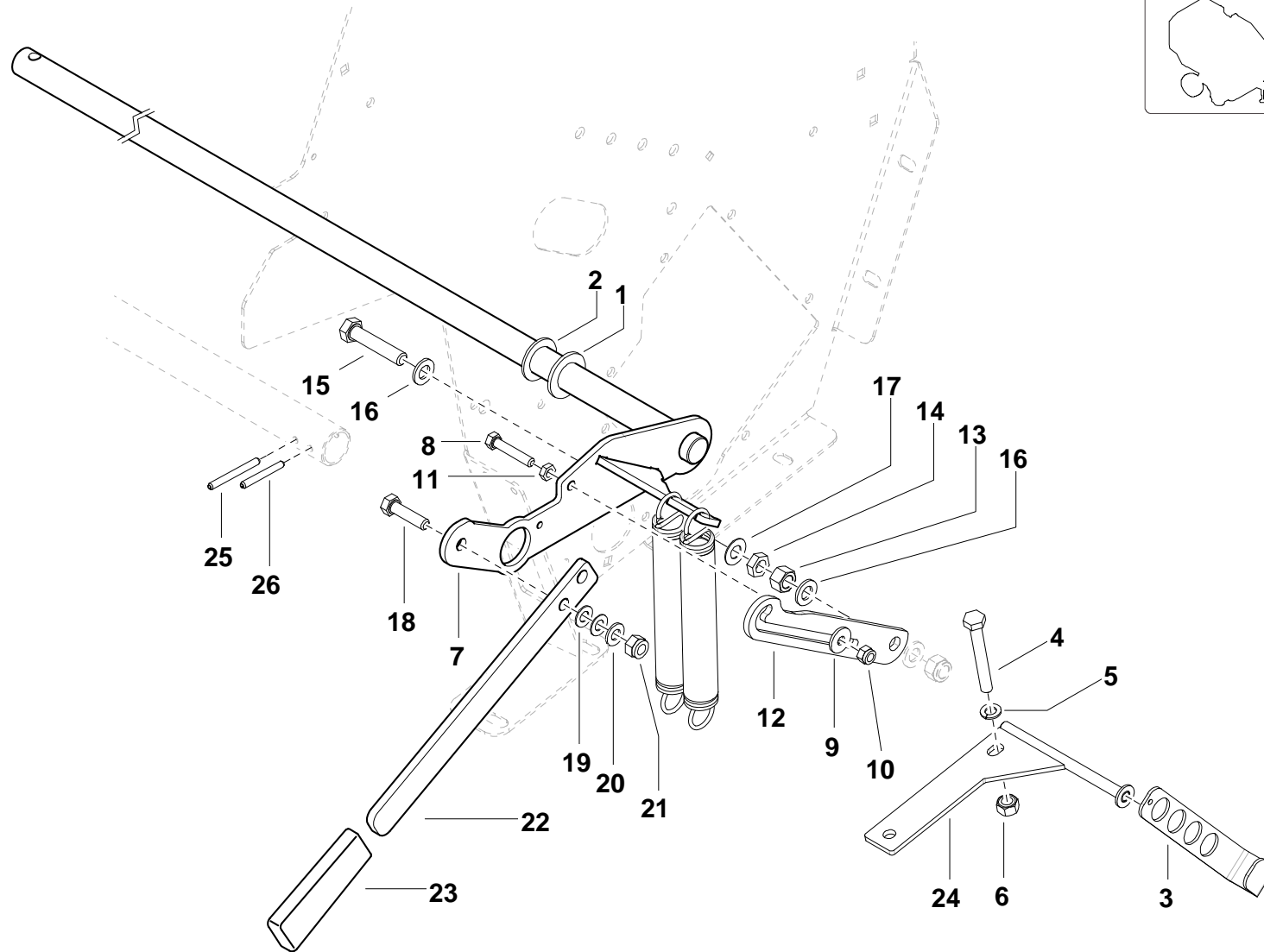
MODELS	
T	<input type="checkbox"/>
N	<input checked="" type="checkbox"/>
NT	<input checked="" type="checkbox"/>



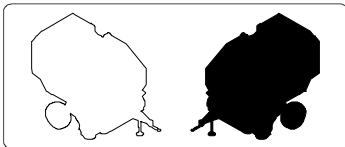


MODELS	
T	<input type="checkbox"/>
N	<input type="checkbox"/>
NT	<input type="checkbox"/>

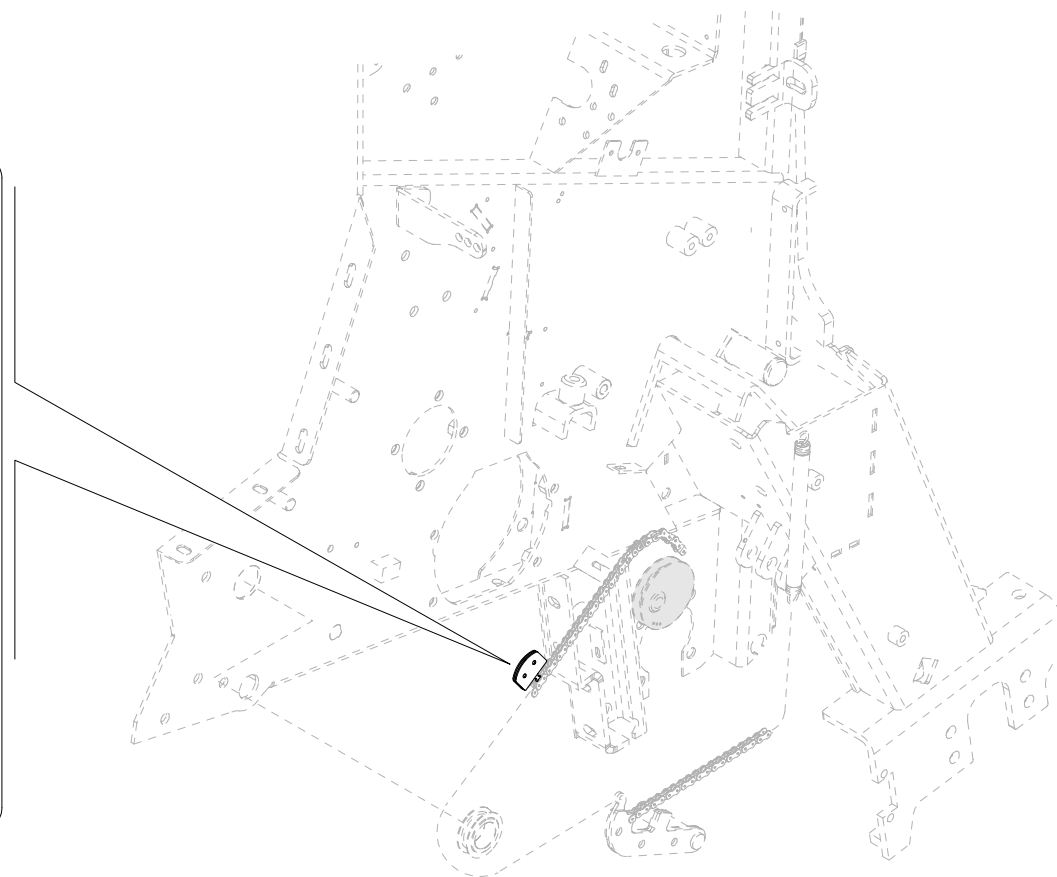
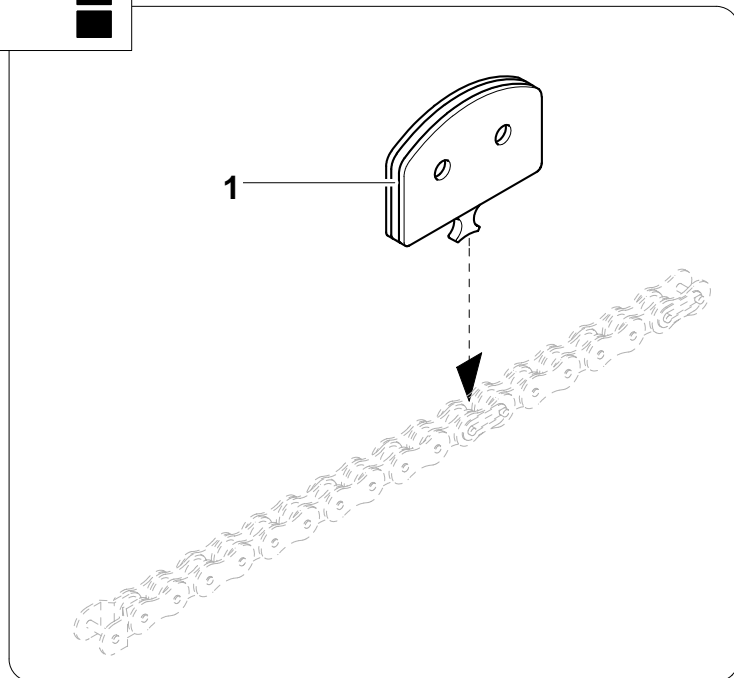


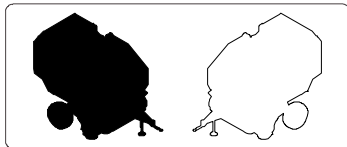


MODELS	
T	<input type="checkbox"/>
N	<input checked="" type="checkbox"/>
NT	<input checked="" type="checkbox"/>

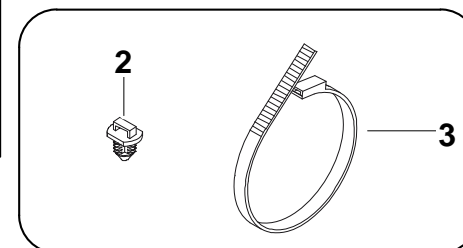
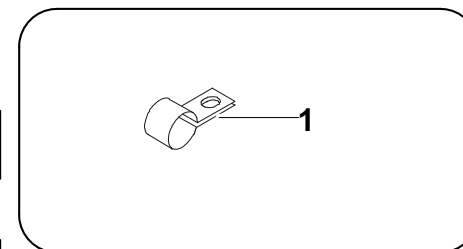
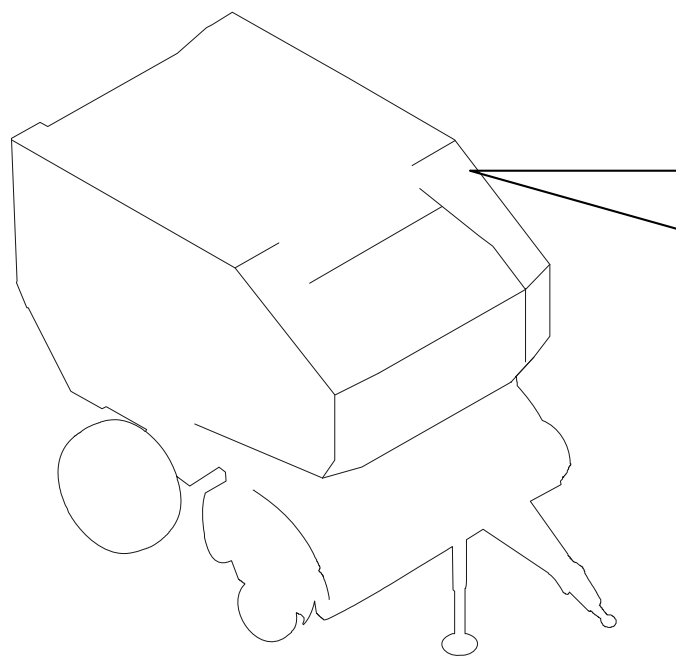


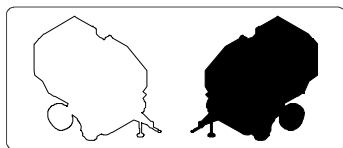
MODELS	
T	■
N	■
NT	■



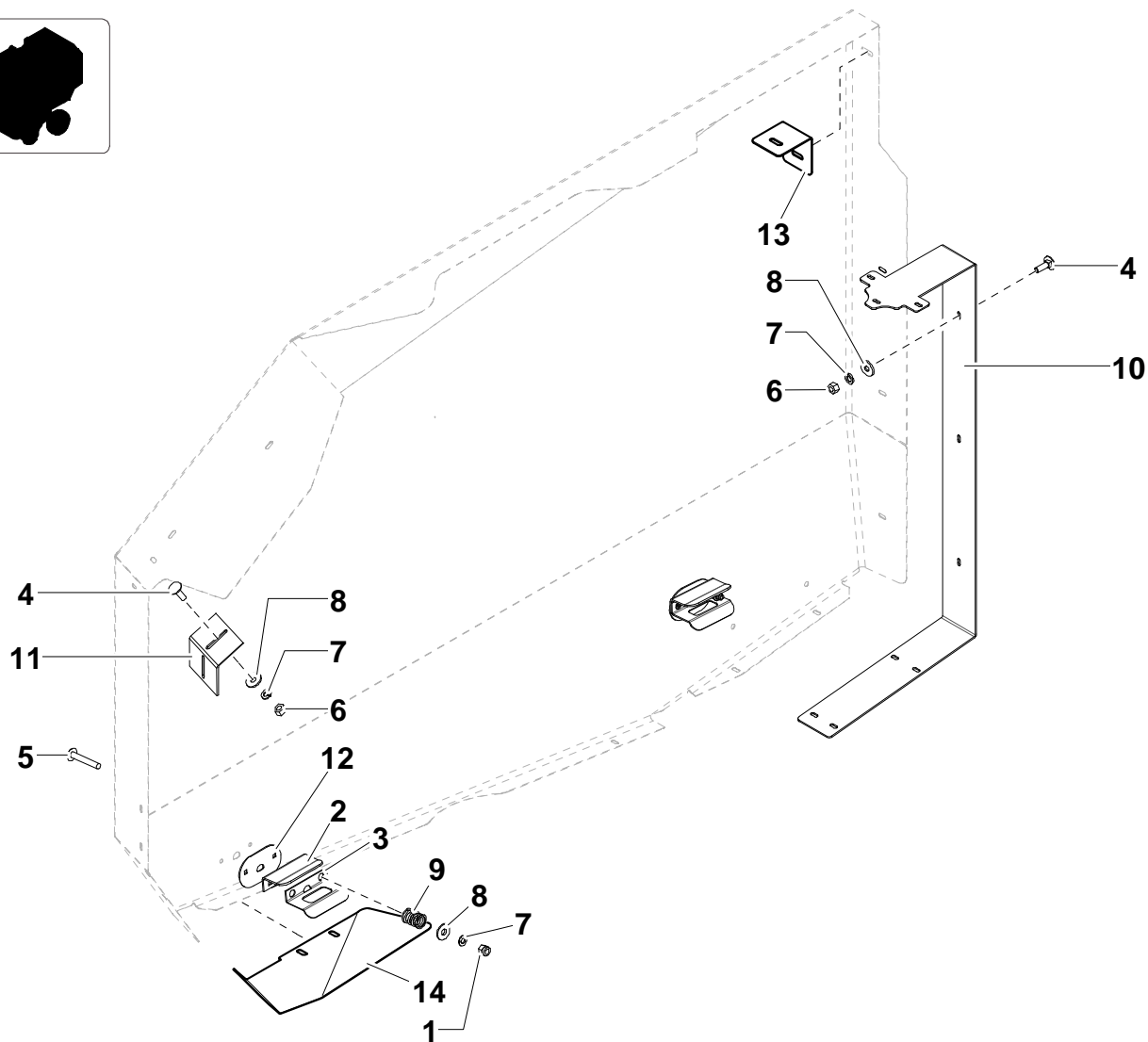


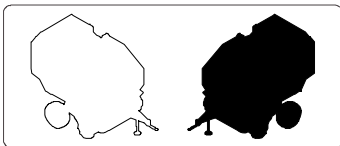
MODELS	
T	■
N	■
NT	■



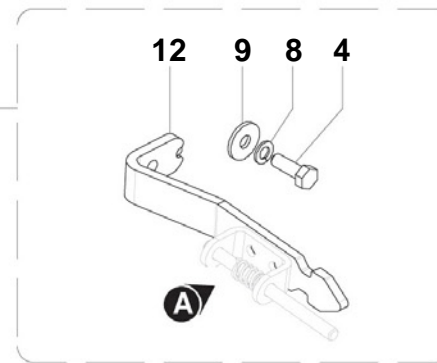
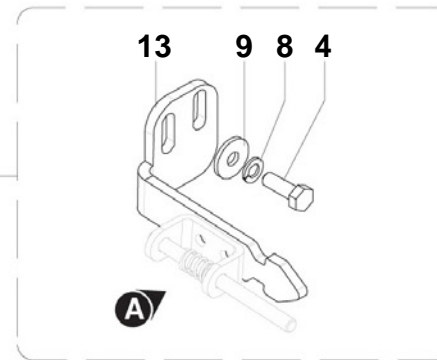
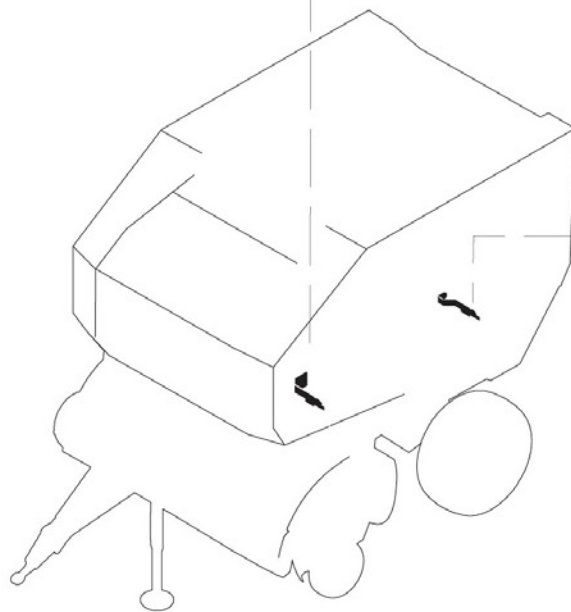
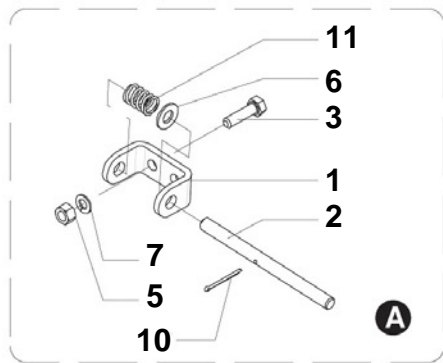


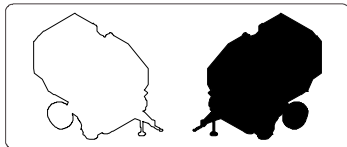
MODELS	
T	■
N	■
NT	■



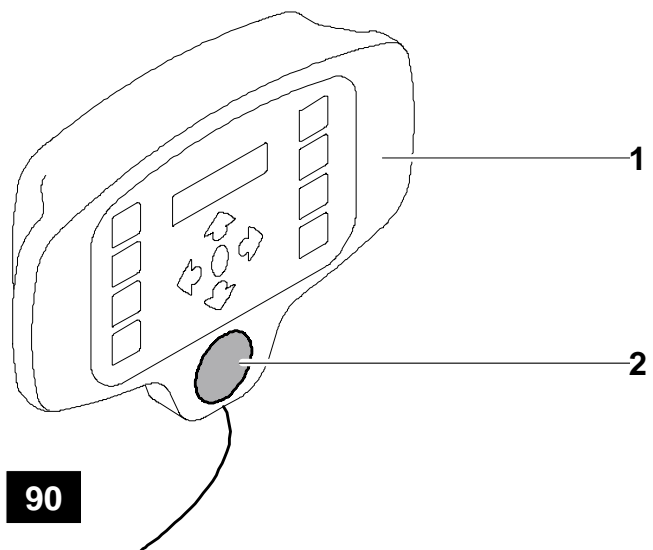


MODELS	
T	■
N	■
NT	■





MODELS	
T	■
N	■
NT	■



CLICK HERE TO **DOWNLOAD** THE COMPLETE MANUAL

- Thank you very much for reading the preview of the manual.
- You can download the complete manual from: www.heydownloads.com by clicking the link below



- Please note: If there is no response to CLICKING the link, please download this PDF first and then click on it.

CLICK HERE TO **DOWNLOAD** THE COMPLETE MANUAL