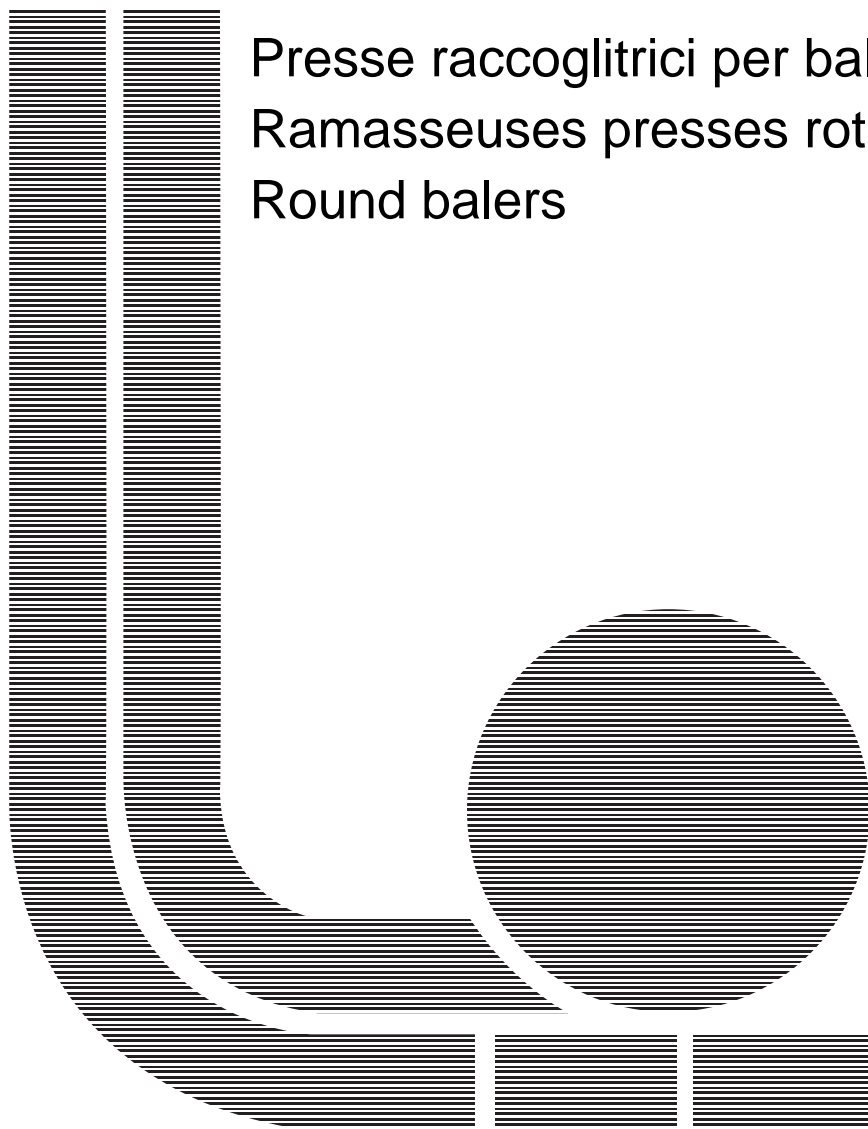
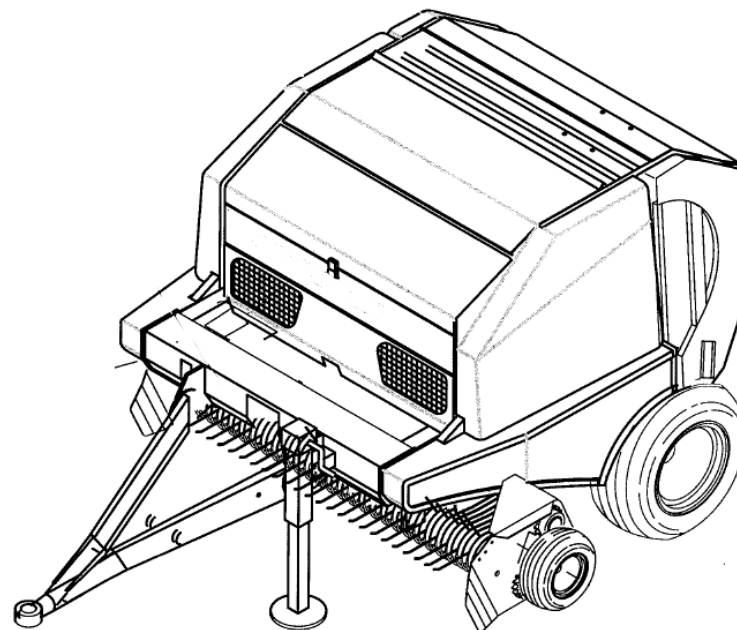


# GALLIGNANI

Presse raccoglitrici per balle cilindriche  
Ramasseuses presses rotatives  
Round balers



**GA FB 12 - 12R**  
**GA FB 12L - 12LR**  
**GA FB 15L - 15LR**



**catalogo parti di ricambio**  
**pieces de rechange**  
**spare parts list**

ANNULLA E SOSTITUISCE  
ANNULE ET REMPLACE  
CANCEL AND REPLACE

01  
01-06-11

**N.98.09.240**

CLICK HERE TO **DOWNLOAD** THE COMPLETE MANUAL

- Thank you very much for reading the preview of the manual.
- You can download the complete manual from: [www.heydownloads.com](http://www.heydownloads.com) by clicking the link below

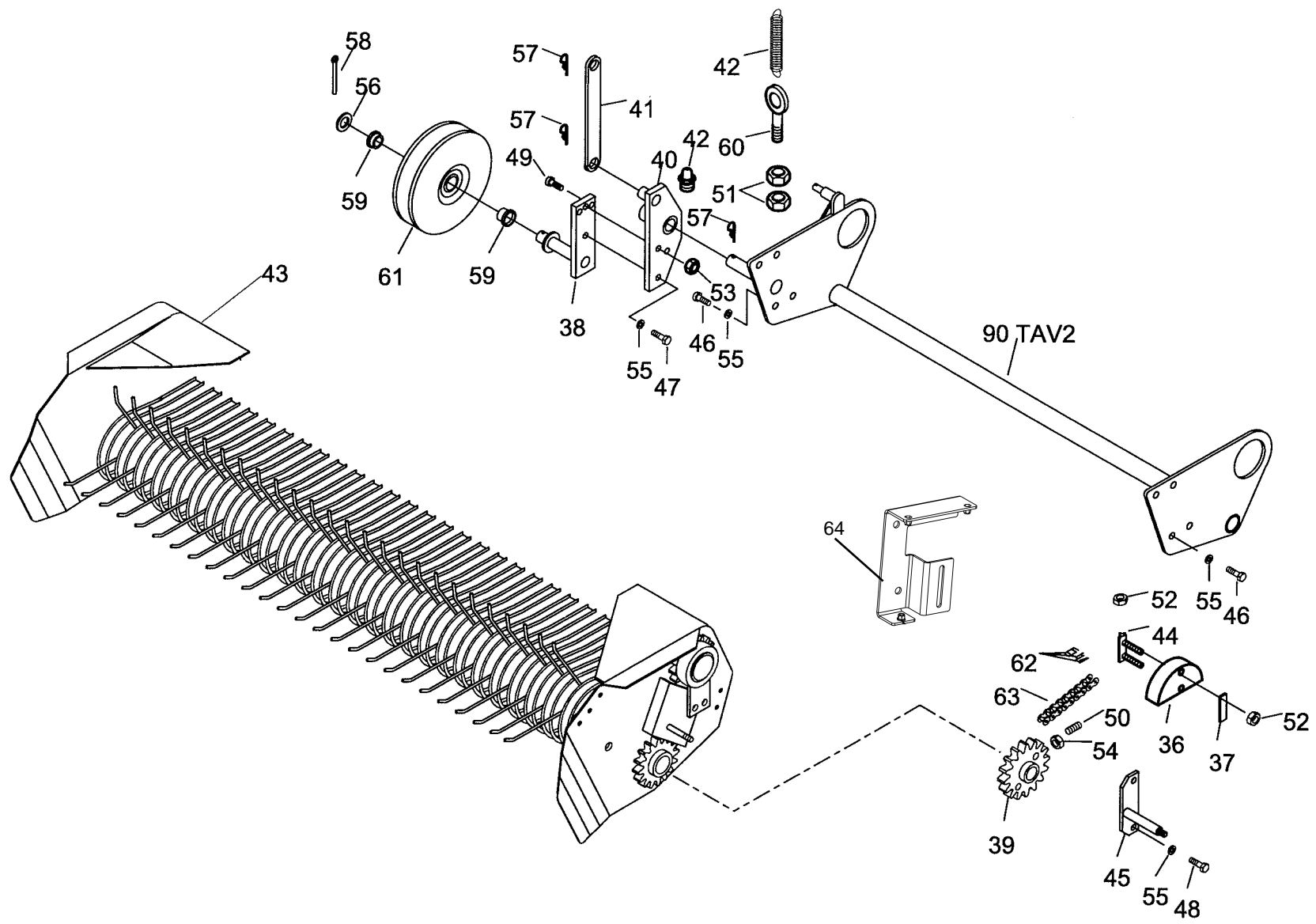


- Please note: If there is no response to CLICKING the link, please download this PDF first and then click on it.

CLICK HERE TO **DOWNLOAD** THE COMPLETE MANUAL

**INDICE SCHEMATICO DEI GRUPPI - INDEX SCHEMATIQUE DES GROUPES**  
**SCHEMATISCHE VERZEICHNIS GRUPPEN - GROUP SCHEMATIC INDEX - INDICE DE LOS GRUPOS ESQUEMATICO**

<b>CODICE</b>	<b>DESCRIZIONE</b>	<b>DESIGNATION</b>	<b>BEZEICHNUNG</b>	<b>DESCRIPTION</b>	<b>DESCRIPCION</b>
TAV.1	COFANI	COFFRETS	MOTORHAUBEN	CASINGS	COFRES
TAV.2	TELAIO	CHASSIS	RAHMEN	FRAME	BASTIDOR
TAV.3	PICK-UP	PICK-UP	PICK-UP	PICK-UP	PICK-UP
TAV.3A	PICK-UP PK2	PICK-UP PK2	PICK-UP PK2	PICK-UP PK2	PICK-UP PK2
TAV.4	LEGATORE SPAGO	LIEUSE DOUBLE FICELLE	BINDERVORRICHTUNG MIT DOPP. SCHNUR	DOUBLE TWINE BINDER	LIGADOR DOBLE CORDEL
TAV.5	LEGATORE RETE	LIEUSE A FILET	NETZBINDEVORR	MESH BINDER	LIGADOR DE RED
TAV.6	SCATOLA RIDUTT.	BOITE REDUCTEUR	GEHAEUSE	REDUCTION UNIX	CAJA REDUCTOR
TAV.7	TRASMISSIONE	TRAMMISSION	GETRIEBE	TRANSMISSION	TRANSMISION
TAV.8	IMP. IDRAULICO	EQUIP. HYDRAUL.	HYDRAULIKANLAGE	HYD. SYSTEM	INS. HIDRAULICA
TAV.9	IMP. ELETTRICO	INS. ELECTRIQUE	ELEKTROANLAGE	ELECTRICAL SYS.	INS. ELECTRICA
TAV.10	DECALCOMANIE	DECALCOMANIES	ABZIEHBILDER	TRANSFERS	CACOMANIAS
TAV.11	DECALCOMANIE	DECALCOMANIES	ABZIEHBILDER	TRANSFERS	CACOMANIAS
TAV.12	PNEUMATICI	ROUES ARRIERES	HINTERRAEDER	REAR WHEELS	RUEDAS POST



PICK-UP "1.7 mt."

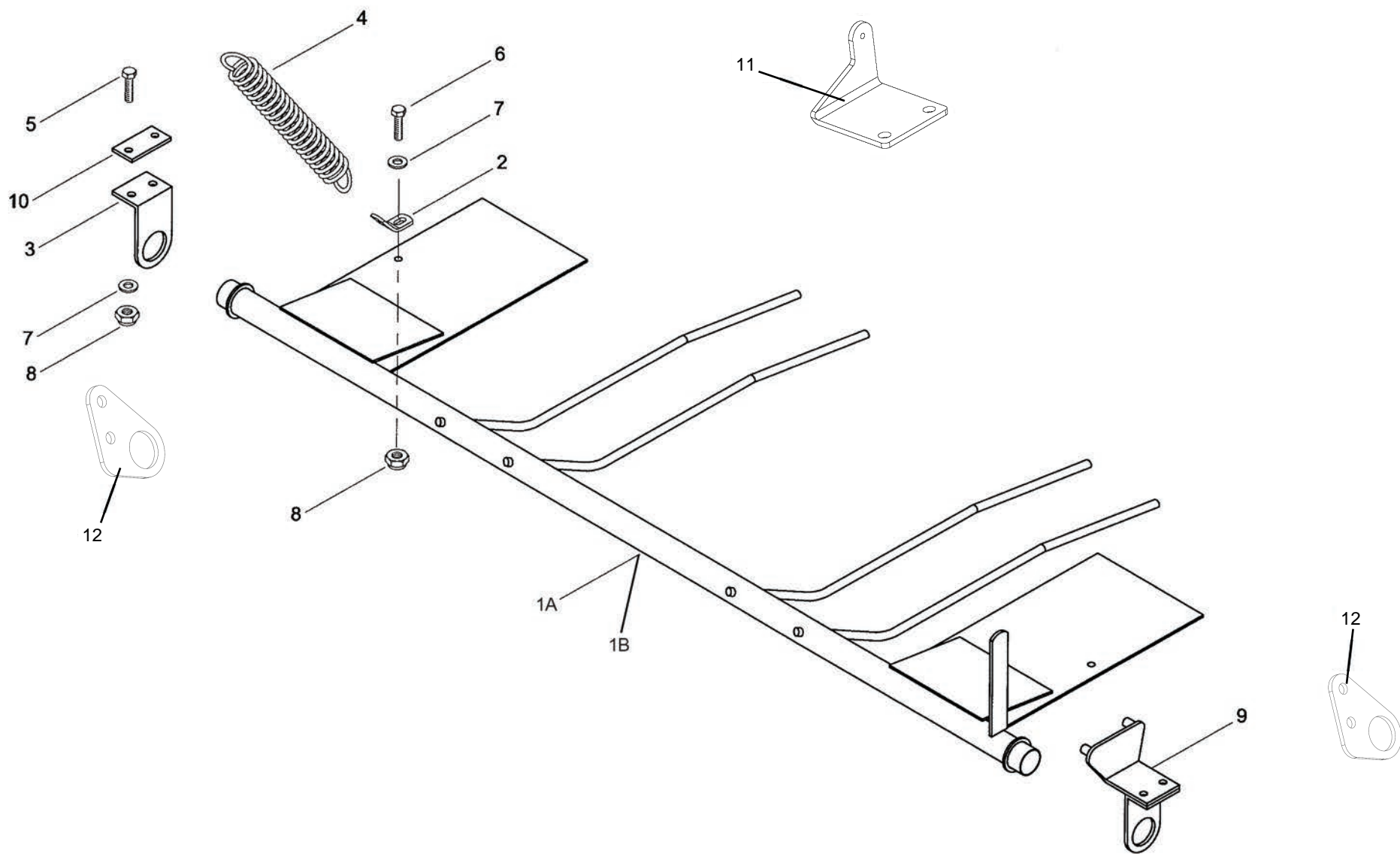
COLLECTEUR  
SAMMELBECKEN

RACCOGLITORE

PICK UP UNIT  
RECOGEDOR

**TAV.3**

1/2



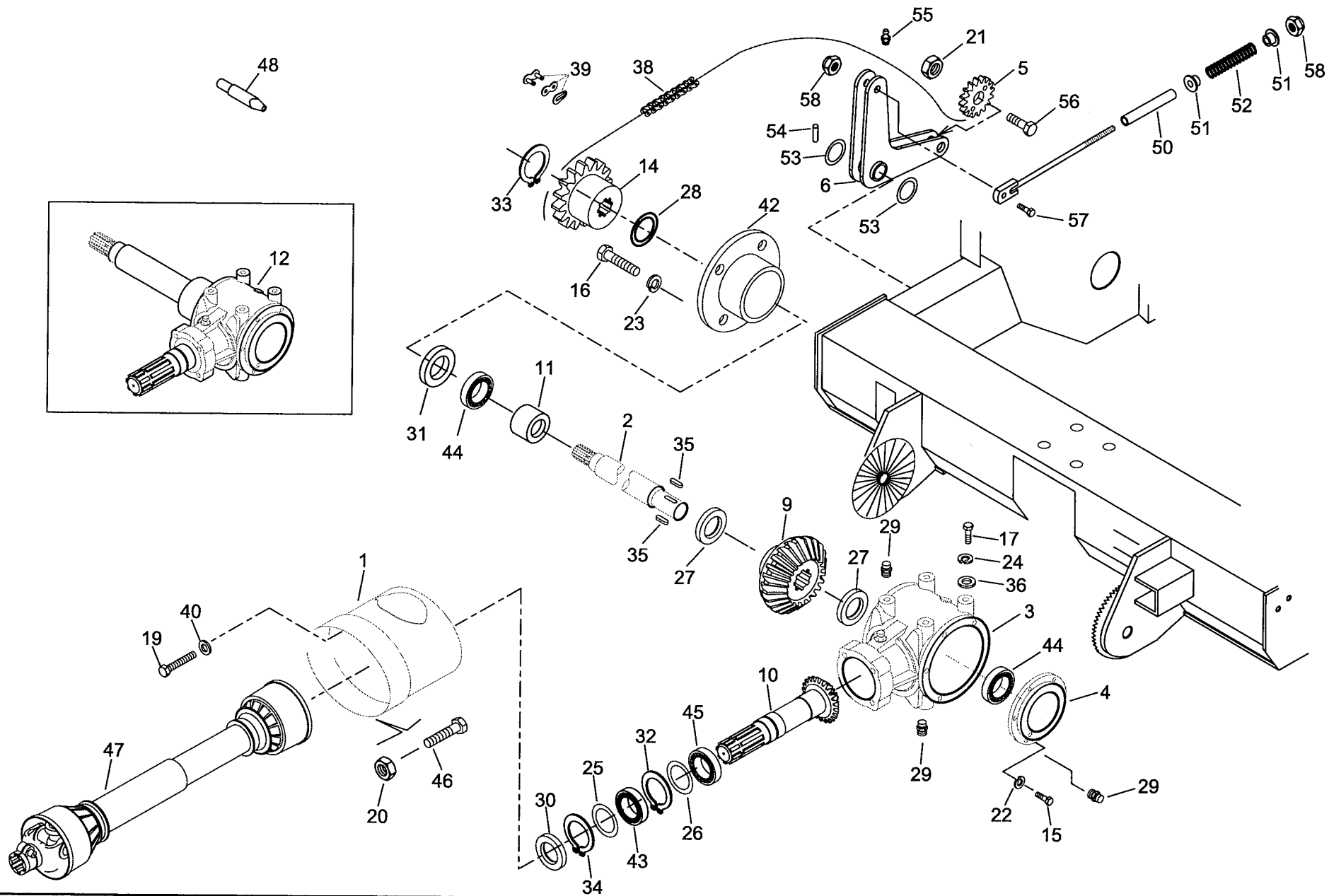
*Egalisateur  
Niederhalter*

**PETTINE SUPPLEMENTARE**

*Compressing  
Canalyzador*

**TAV. 3A 3**

3/3



**SCATOLA RIDUTTORE**

*Boite reducteur  
Gehäuse untersetzungsgetriebe*

*Reduction unit box  
Caja reductor*

**TAV.6**

## TAV. 9

POS.	N.ORDINE	Q.	DENOMINAZIONE	DESIGNATION	BENENNUNG	DESCRIPTION	DENOMINACIONES
1	34 21 A16	2	FANALINO ANT. CON CATADIOTRO	FEU	LICHT	LIGHT CLUSTER	FARO
2	88 86 002	2	CATADIOTTRO POST. TRIANG	CATADIOPTRE	KATZENAUGE	REFLECTOR	CATAFARO
3	34 21 A11	1	FANALE POST. SX.	FEU	LICHT	LIGHT CLUSTER	FARO
3A	34 21 A13	1	FANALE POST. DX.	FEU	LICHT	LIGHT CLUSTER	FARO
4	.....						
5	34 44 251	1	CAVO ELETTRICO	CABLE ELECTRIQUE	KABEL	CABLE, ELETRIC	CABLE ELETRICO
6	34 01 A21	2	ASTA PORTA TARGA	STAB	TIGE	ROD	BARRA
11	34 21 A20	1	TERMINALINO COMANDI	GROUPE	GRUPPE	UNIT	GRUPO
12	34 21 A19	1	CAVO BATTERIA	CABLE, MASSE	MASSEKABEL	CABLE, GROUND	CABLE,MASA
14	34 21 A18	1	CABLAGGIO COMPLETO	CABLE ELECTRIQUE	KABEL	CABLE, ELECTRIC	CABLE ELECTRICO
15	.....	1	PIASTRINA FISS. CONNETTORI	PLAQUETTE	PLAETTCHEN	PLATE, COVER	PLAQUITA
16	.....	4	VITE TCIC M3x10	VIS	SCHRAUBE	SCREW	TORNILLO
17	00 51 154	4	DADO AUTOBL. M3	ECROU	MUTTER	NUT	TUERCA
18	88 50 203	8	VITE TE M5X20	VIS	SCHRAUBE	SCREW	TORNILLO
19	88 52 005	8	RONDELLA 5x10x1,5	RONDELLE PLATE	FLACHSCHEIBE	WASHER	ARANDELA
20	00 51 121	8	DADO AUTOBLOCC. M5	ECROU	MUTTER	NUT	TUERCA
22	88 50 A13	4	VITE TCIF M3x16	VIS	SCHRAUBE	SCREW	TORNILLO
23	88 52 008	4	RONDELLA 4x8x1	RONDELLE PLATE	FLACHSCHEIBE	WASHER	ARANDELA
24	34 21 A08	1	CAVO FANALINO POST. SX.	CABLE ELECTRIQUE	KABEL	CABLE, ELECTRIC	CABLE ELECTRICO
25	34 21 A09	1	CAVO FANALINO POST. DX.	CABLE ELECTRIQUE	KABEL	CABLE, ELECTRIC	CABLE ELECTRICO
26	88 50 215	8	VITE TE M6X20	VIS	SCHRAUBE	SCREW	TORNILLO
27	00 51 122	8	DADO E M6 AUTOBL.	ECROU	MUTTER	NUT	TUERCA
28	88 52 006	12	RONDELLA 6x12x1,5	RONDELLE PLATE	FLACHSCHEIBE	WASHER	ARANDELA
29	34 21 A15	2	LAMPADA TUTTO VETRO 12V-5W	AMPOULE	LAMPE	BULB	BOMBILLA
30	34 01 A22	1	PORTATARGA	SUPPORT DE PLAQUE	KENNZEICHENHALT	PLATE, SUPPORT	SOPORTE DE PLACA
31	34 21 A04	1	SUPPORTO DESTRO	SUPPORT	LAGERHALTER	SUPPORT	SOPORTE
32	34 21 A05	1	SUPPORTO SINISTRO	SUPPORT	LAGERHALTER	SUPPORT	SOPORTE
33	34 21 A14	4	LAMPADA TUTTO VETRO 21W	AMPOULE	LAMPE	BULB	BOMBILLA
34	34 21 A15	2	LAMPADA TUTTO VETRO 5W	AMPOULE	LAMPE	BULB	BOMBILLA
35	34 21 A06	1	SUPPORTO COMPUTER	SUPPORT	LAGERHALTER	SUPPORT	SOPORTE

CLICK HERE TO **DOWNLOAD** THE COMPLETE MANUAL

- Thank you very much for reading the preview of the manual.
- You can download the complete manual from: [www.heydownloads.com](http://www.heydownloads.com) by clicking the link below



- Please note: If there is no response to CLICKING the link, please download this PDF first and then click on it.

CLICK HERE TO **DOWNLOAD** THE COMPLETE MANUAL