



545B/605B

WHEEL LOADER

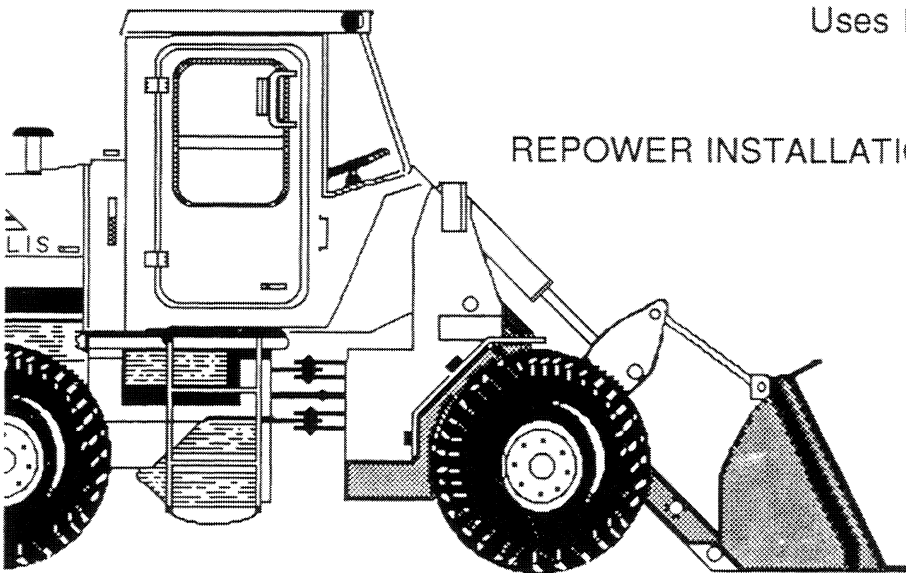
S/N 21C 04201-UP; S/N 10L0 4201-UP;
S/N 21S 04201-UP; S/N 33A 04201-UP;
S/N 18Y 04201-UP & S/N 38S 04201-UP

IVECO ENGINE REPOWER

BY: FIATALLIS INDUSTRIAL ENGINE DEPARTMENT

IVECO ENGINE (P/N 08104425)
Uses Marelli Air Compressor

REPOWER INSTALLATION KIT (P/N 73253674)



FORM 73253719
8-89

CLICK HERE TO **DOWNLOAD** THE COMPLETE MANUAL

- Thank you very much for reading the preview of the manual.
- You can download the complete manual from: www.heydownloads.com by clicking the link below



- Please note: If there is no response to CLICKING the link, please download this PDF first and then click on it.

CLICK HERE TO **DOWNLOAD** THE COMPLETE MANUAL

"FILTER CARE" KIT
MODEL 545B/605B
IVECO REPOWER

1000 HOUR KIT
PART NUMBER: 75127773

<u>QUANTITY</u>	<u>PART NUMBER</u>	<u>DESCRIPTION</u>
1	10263460	GASKET
1	04788503	FUEL FILTER
2	04787410	LUBE FILTER
1	74394407	WATER SEPARATOR
1	70923559	O'RING
1	00740314	FUEL FILTER
1	73139420	FILTER ELECT. PUMP
1	73139421	GASKET ELECT. PUMP
2	70663977	GASKET HYDRAULIC FILTER
1	70926821	O'RING HYDRAULIC FILTER
1	70666421	HYDRAULIC FILTER
1	73067517	GASKET TRANS. SUCTION STRAINER
1	70679513	TRANSMISSION FILTER
1	70662608	AIR FILTER - SAFETY
1	70684732	AIR FILTER - PRIMARY

Replace the 24V over fuel solenoid on the F.I.P. with a 00774153 solenoid (12V). The new solenoid is to be connected by attaching a No.16 AWG wire between the overfuel solenoid and the ignition side of the starter and a NO.16 wire between the other terminal on the overfuel solenoid and the engine block (ground connection). This solenoid is energized (in the overfuel position) only while cranking the engine. The 16 AWG wires are not included in this kit.

22.0 Muffler Mounting & Hood

The muffler mounting bracket must be repositioned on the radiator support as Figure 7. Also the existing muffler hood outlet is to be covered with Figure 11 plate, P/N 73147136. See Figure 11, showing that hood must be "saw cut" to fit new muffler outlet position.

One piece
engine mount
P/N 73147127
using original
A-C engine
mount frame
holes.

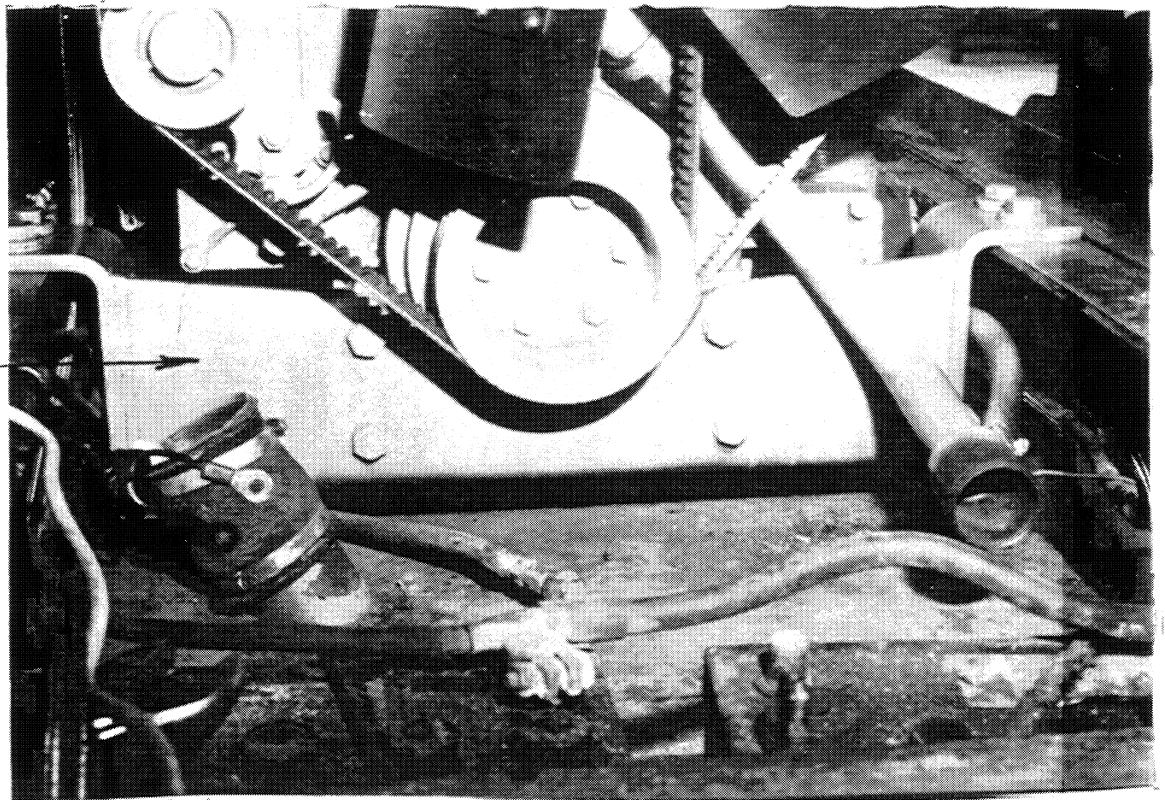


Photo C

Shroud fan
orifice
expansion at
top area only.

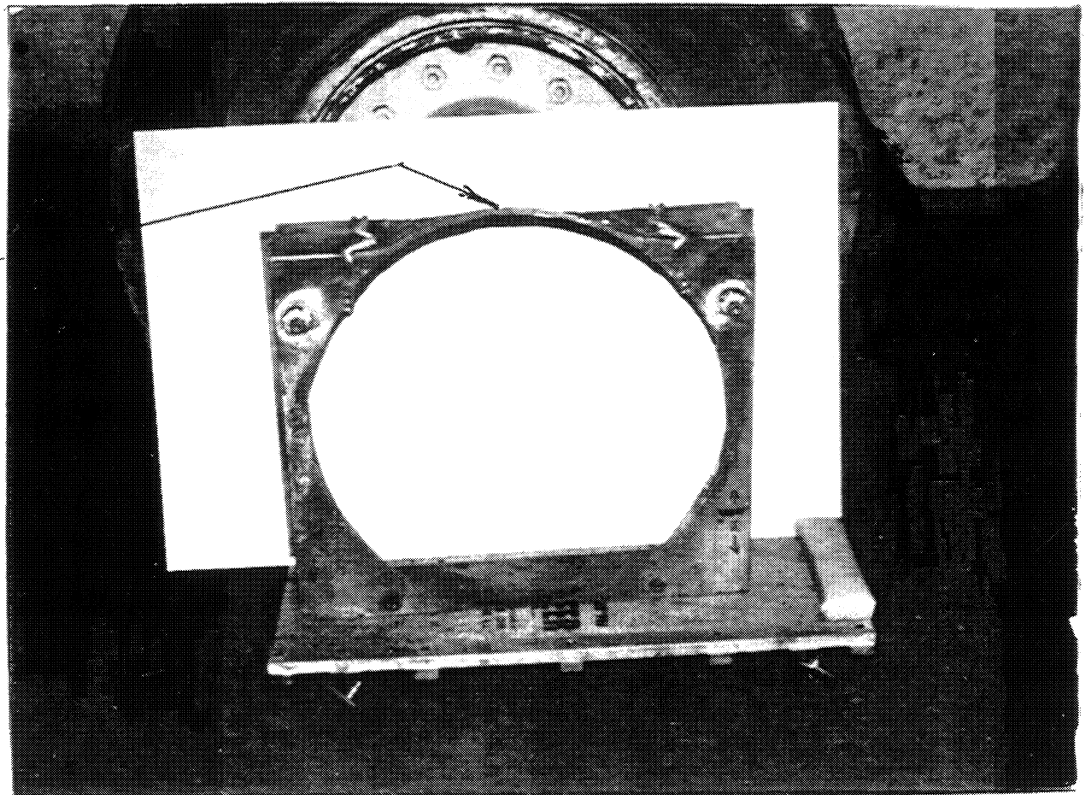
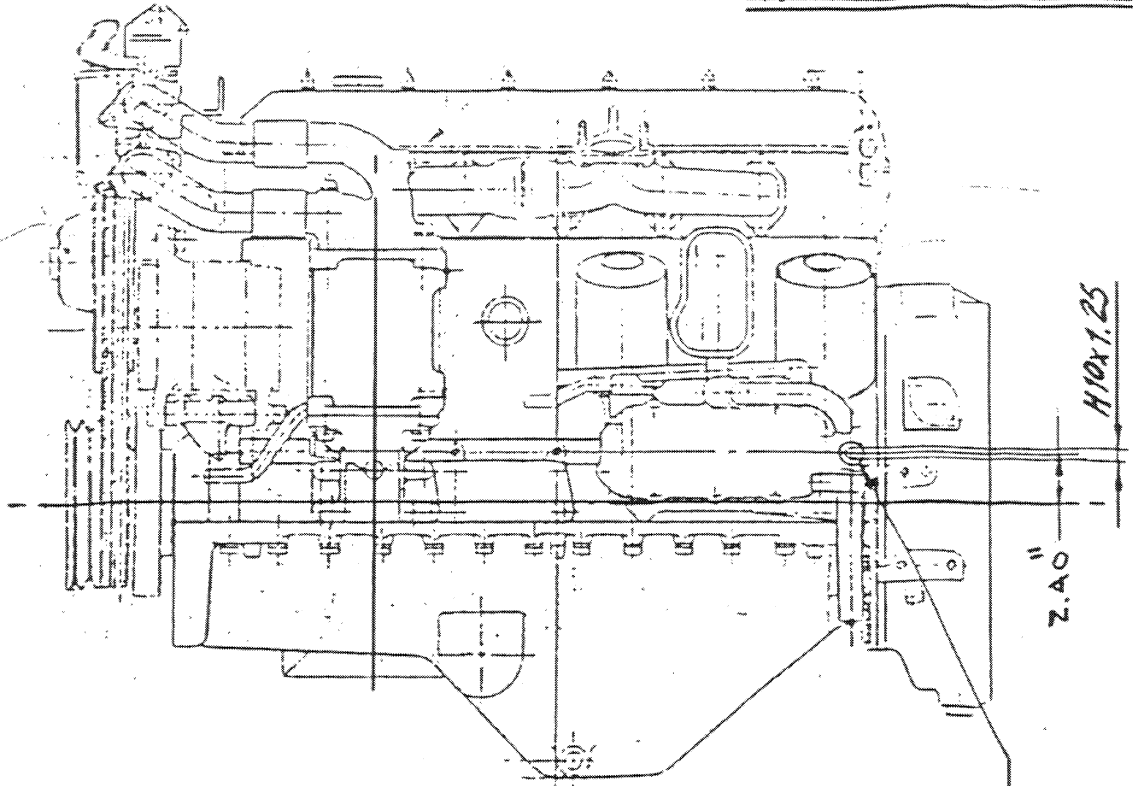
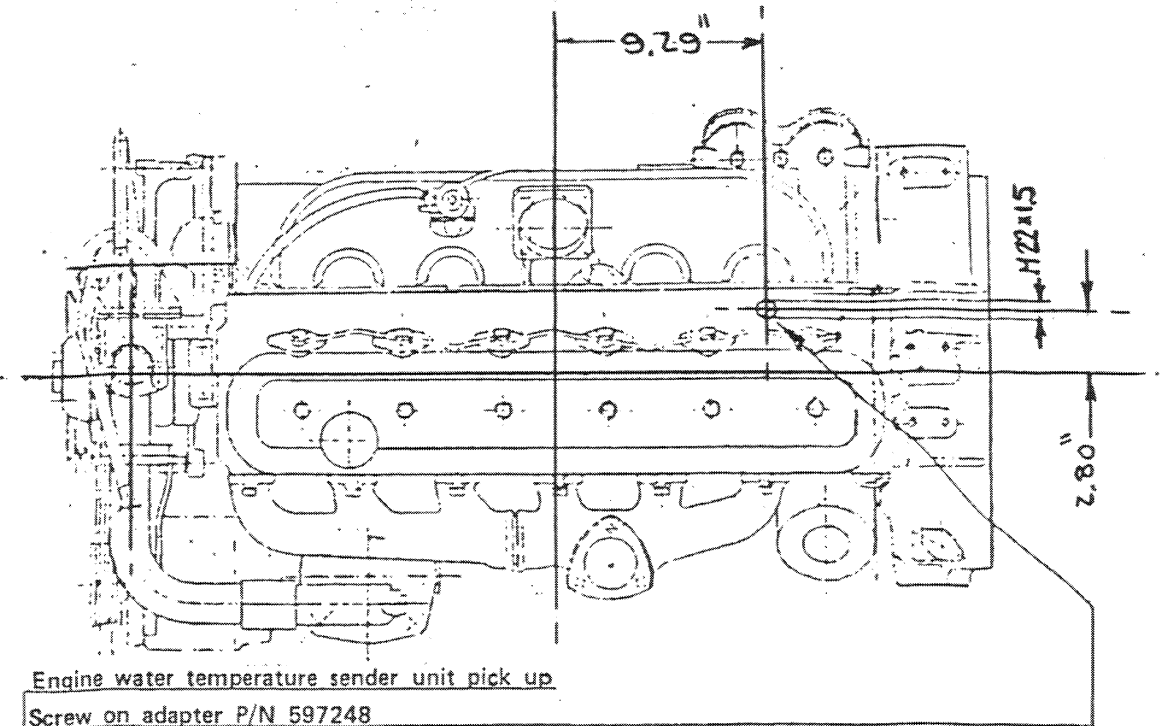


Photo C₁

FIGURE 8



Engine oil pressure sender unit pick up
Screw on Adaptor 73070490 and connector 70928799



Engine water temperature sender unit pick up
Screw on adapter P/N 597248

545B-6058

FIGURE 17

PART NUMBER 76017699

FUEL SHUT-OFF BRACKET

CLICK HERE TO **DOWNLOAD** THE COMPLETE MANUAL

- Thank you very much for reading the preview of the manual.
- You can download the complete manual from: www.heydownloads.com by clicking the link below



- Please note: If there is no response to CLICKING the link, please download this PDF first and then click on it.

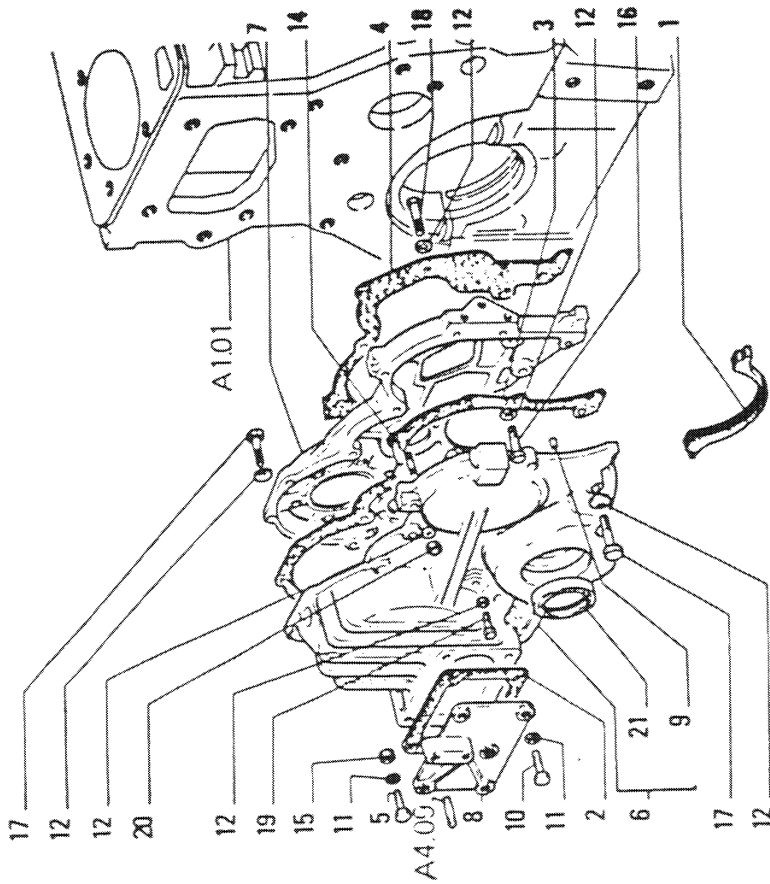
CLICK HERE TO **DOWNLOAD** THE COMPLETE MANUAL

PART NUMBER	ITEM	KIT COMP. PART. N.	QTY	SGR.	TAV.	PAG.	GRID POS.	TRANS CODE	DESCRIPTION	DENOMINAZIONE
73076583	11	73058978	1	E3.26	1	1	1-R5	61F	STEEL WIRE	FILO ACCIAIO
	10	73076584	1	E3.26	1	1	1-R5	334C	DUST BOOT	CUFFIA PARAPOLVERE
73076583	14	73058975	1	E3.26/1	1	1	1-R7	60S	CUP	SCODELLINO
	11	73058978	1	E3.26/1	1	1	1-R7	61F	STEEL WIRE	FILO ACCIAIO
	10	73076584	1	E3.26/1	1	1	1-R7	334C	DUST BOOT	CUFFIA PARAPOLVERE
	7	11270060	4	B2.01	10	1	1-M11	122G	SEAL	GUARNIZIONE
73143460	56	11270060	1	B2.33	1	2	1-M3	122G	SEAL	GUARNIZIONE
	34	11270260	3	B2.01	3	2	1-L11	158G	O-RING	GUARNIZIONE O-R
	44	11270560	2	B2.01	3	2	1-L11	158G	O-RING	GUARNIZIONE O-R
	40	11270860	1	B2.01	3	2	1-L11	158G	O-RING	GUARNIZIONE O-R
	46	11270960	2	B2.01	3	2	1-L11	122G	SEAL	GUARNIZIONE
	37	73140404	2	B2.01	3	2	1-L11	158G	O-RING	GUARNIZIONE O-R
	11	73140543	1	B2.01	11	1	1-M10	158G	O-RING	GUARNIZIONE O-R
	6	73140645	3	B2.33	1	1	1-M4	158G	O-RING	GUARNIZIONE O-R
	4	73140668	1	B2.33	1	1	1-M4	158G	O-RING	GUARNIZIONE O-R
	26	73140797	1	B2.01	3	1	1-L10	122G	SEAL	GUARNIZIONE
	16	73142730	1	B2.01	1	1	1-L6	120G	GASKET	GUARNIZIONE PIANA
	14	73142732	1	B2.01	1	1	1-L6	187A	SNAP RING	ANELLO ELASTICO
	12	73142734	1	B2.01	1	1	1-L6	123G	SEAL ASSY	GUARNIZIONE TENUTA FRONTALE
	14	73142759	19	B2.01	9	1	1-M12	131R	WASHER	ROSETTA
	42	73142761	2	B2.01	3	2	1-L11	120G	GASKET	GUARNIZIONE PIANA
	3	73142761	2	B2.01	8	1	1-M13	120G	GASKET	GUARNIZIONE PIANA
	11	73142786	2	B2.01	10	1	1-M11	120G	GASKET	GUARNIZIONE PIANA
	36	73142832	1	B2.01	7	2	1-M15	120G	GASKET	GUARNIZIONE PIANA
	4	73142878	1	B2.01	1	1	1-L6	158G	O-RING	GUARNIZIONE O-R
19	73142947	1	B2.01	1	1	1-L6	158G	O-RING	GUARNIZIONE O-R	

DENOMINAZIONE

ITEM PART NO. QTY. LEX. DESCRIPTION

ITEM	PART NO.	QTY.	LEX.	DESCRIPTION	DENOMINAZIONE
1	04031577	1	133R	SEAL (SEE PAGE 9/6)	GUARNIZIONE TENUTA
2	04607590	1	133R	SEAL (SEE PAGE 9/6)	GUARNIZIONE TENUTA
3	04781578	1	133R	SEAL (SEE PAGE 9/6)	GUARNIZIONE TENUTA
4	04781579	1	133R	SEAL (SEE PAGE 9/6)	GUARNIZIONE TENUTA
5	04615276	4	40V	CAPSCREW	VITE
6	04769187	1	265C	COVER	COPERCHIO
7	04766126	1	80C	CASE	CARCASSA
8	04789054	1	265C	COVER	COPERCHIO
9	10839610	2	90G	DOWEL	GRANO
10	10903021	3	40V	CAPSCREW, 6 X 1 X 35	VITE
11	11197771	4	132R	LOCKWASHER	ROSETTA DI SICUREZZA
12	10519621	16	132R	LOCKWASHER	ROSETTA DI SICUREZZA
13	10263460	1	133R	SEAL	GUARNIZIONE TENUTA
14	13517720	1	40V	CAPSCREW, 8 X 1.25 X 67	VITE
15	15896211	4	100	NUT	DADO
16	16043621	3	40V	CAPSCREW, 8 X 1.25 X 25	VITE
17	16043821	7	40V	CAPSCREW, 8 X 1.25 X 30	VITE
18	16044221	1	40V	CAPSCREW, 8 X 1.25 X 50	VITE
19	16044621	4	40V	CAPSCREW, 8 X 1.25 X 70	VITE
20	16100811	1	100	NUT	DADO
21	40000010	1	55A	O-RING	ANELLO DI TENUTA



FR12B

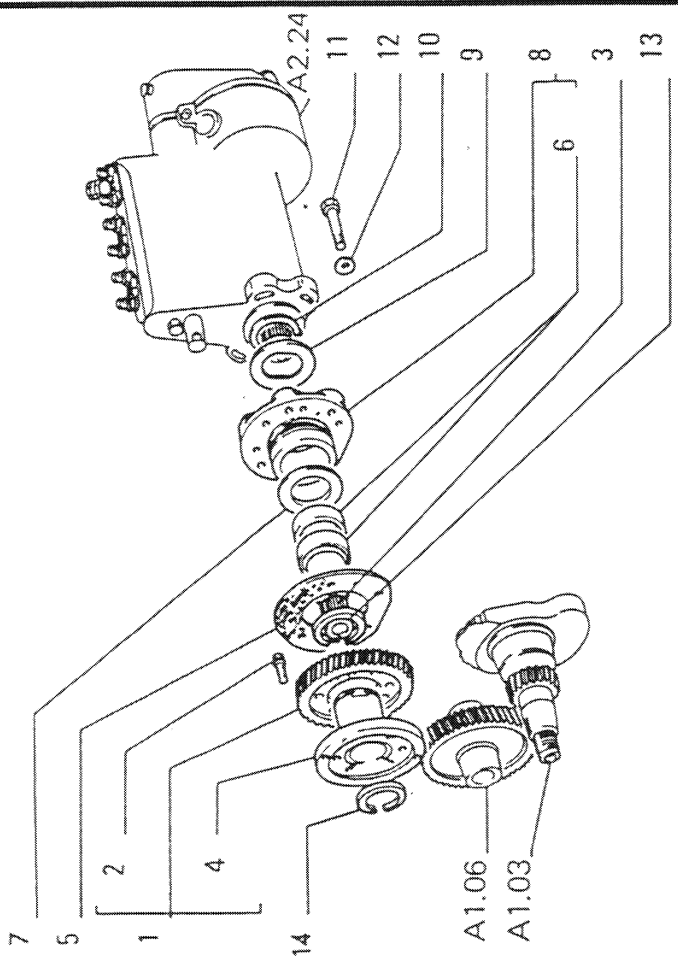
OIL SUMP & CRANKCASE COVERS
 COPPA E COPERCHI BASAMENTO
 CARTER D'HUILE ET COUVERCLES DE BLOC
 OELWANNE UND DECKEL DES KURBELGEHAUSES
 CARTER DE ACEITE Y TAPAS DEL BLOQUE

A102

2

(Revised November 1987)

ITEM	PART NO.	QTY.	CODE	DESCRIPTION	DENOMINAZIONE
1	04785076	1	501	GEAR	INGRANAGGIO
2	04798845	8	40V	CAPSCREW	VITE
3	04769712	1	67G	COUPLING	GIUNTO
4	04785077	1	59C	SLEEVE	CANNOTTO
5	04769429	1	133R	SEAL	GUARNIZIONE TENUTA
6	04769427	2	95B	BUSHING	BOCCOLA
7	04604833	1	131R	WASHER	ROSETTA
	04809425	1	602A	PRIOR TO ENGINE #189469	
		1	131R	WASHER	ROSETTA
8	04769424	1	602B	ENGINE NO.189469 - UP	
9	04667498	1	300S	SUPPORT	SUPPORTO
10	13421376	1	131R	WASHER	ROSETTA
11	16043621	1	51A	LOCKRING	ANELLO DI SICUREZZA
12	10519601	6	40V	CAPSCREW, 8 X 1.25 X 25	VITE
13	04770452	6	132R	LOCKWASHER	ROSETTA DI SICUREZZA
14	04708213	1	51A	LOCKRING	ANELLO DI SICUREZZA

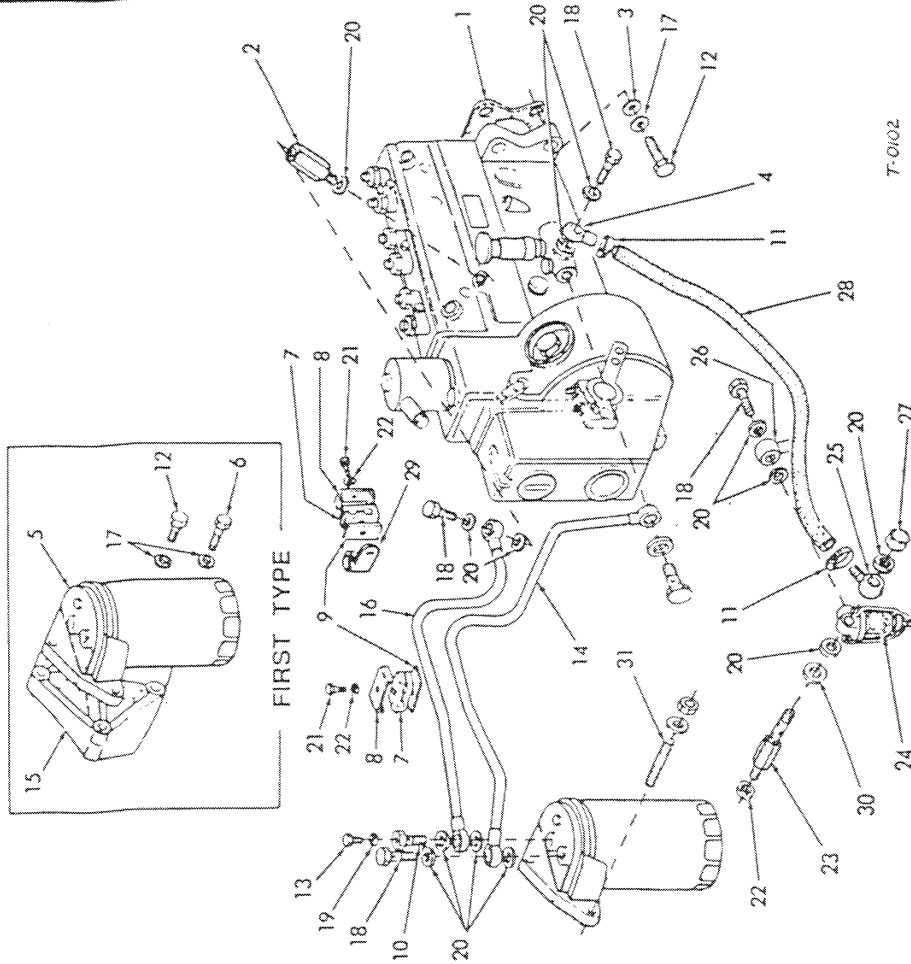


FR12B

INJECTION PUMP DRIVE
 COMANDO POMPA INIEZIONE
 ENTRAINEMENT DE LA POMPE A INJECTION
 EINSPRITZPUMPENANTRIEB
 MANDO DE LA BOMBA DE INYECCION

A116
REVISED OCTOBER 1990

ITEM	PART NO.	QTY.	CODE	DESCRIPTION	DENOMINAZIONE
24	00740314	1	64F	FILTER, FUEL	FILTRO COMBUSTIBILE
			600X	PRIOR TO UNIT NO.082942 FINO AL TELAIO.....	
	04776380	1	64F	FILTER, FUEL	FILTRO COMBUSTIBILE
			OR		
	04797320	1	64F	FILTER, FUEL	FILTRO COMBUSTIBILE
			600Y	UNIT NO.082942 AND UP	DAL TELAIO.....
25	04551493	1	20R	FITTING	RACCORDO
26	04741072	1	20R	FITTING	RACCORDO
27	10182817	1	100	NUT	DADO
28	04774811	1	192T	HOSE	TUBO FLESSIBILE
			600X	PRIOR TO UNIT NO.082942 FINO AL TELAIO.....	
	19053182	1	192T	HOSE	TUBO FLESSIBILE
			600Y	UNIT NO.082942 AND UP	DAL TELAIO.....
29	10441390	2	896	CLIP	GRAFFETTA
30	14496607	1	131R	WASHER	ROSETTA
			600Y	UNIT NO.082942 AND UP	DAL TELAIO.....
31	13546621	3	210P	STUD, 10M X 1.25 X 55	PRIGIONIERO
	14496607	3	131R	WASHER	ROSETTA
	12164711	3	100	NUT	DADO
			600Y	UNIT NO.082942 AND UP	DAL TELAIO.....



FR12B

FUEL FILTER & LINES
 FILTRO COMBUSTIBILE E TUBAZIONI
 FILTRE A CARBURANT ET CANALISATIONS
 KRAFTSTOFFFILTER UND LEITUNGEN
 FILTRO DE COMBUSTIBLE Y TUBOS

A224

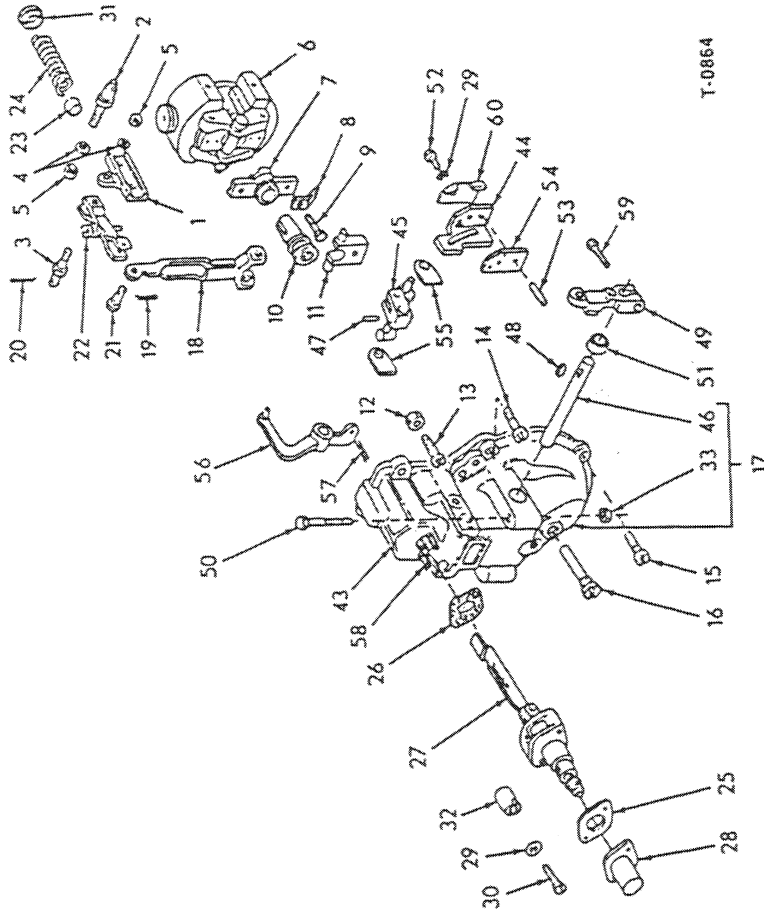
2

(Added November 1987)

DENOMINAZIONE

ITEM PART NO. QTY. CODE DESCRIPTION

ITEM	PART NO.	QTY.	CODE	DESCRIPTION	DENOMINAZIONE
46	00772609	1	16A	SHAFT	ALBERO
47	11039720	2	80P	PIN	PERNO
48	10205720	1	60L	KEY	LINGUETTA
49	00772611	1	45L	LEVER	LEVA
50	00772829	1	40V	CAPSCREW	VITE
51	00772618	2	133R	SEAL	GIARNIZIONE TENUTA
52	10902521	1	40V	CAPSCREW, 6 X 1 X 22	VITE
53	10333310	2	80P	PIN	PERNO
54	00772825	-	116P	PLATE, SHIMMING(0.20)	PIASTRINA-SPESSORE
	00772826	-	116P	PLATE, SHIMMING(0.30)	PIASTRINA-SPESSORE
	00772827	-	116P	PLATE, SHIMMING(0.80)	PIASTRINA-SPESSORE
	00772828	-	116P	PLATE, SHIMMING(0.50)	PIASTRINA-SPESSORE
55	00772619	2	105P	PLATE	PIASTRA
56	00773623	1	45L	LEVER	LEVA
57	00773624	1	100M	SPRING	MOLLA
58	00772620	2	210P	STUD	PRIGIONIERO
59	10902421	1	40V	CAPSCREW, 6 X 1 X 20	VITE
60	00773204	1	116P	PLATE, SHIMMING	PIASTRINA-SPESSORE



FR128

SPEED GOVERNOR (COVER)
 REGOLATORE DI VELOCITA'
 REGULATEUR DE VITESSE
 DREHZAHLEGLER
 REGULADOR DE VELOCIDAD

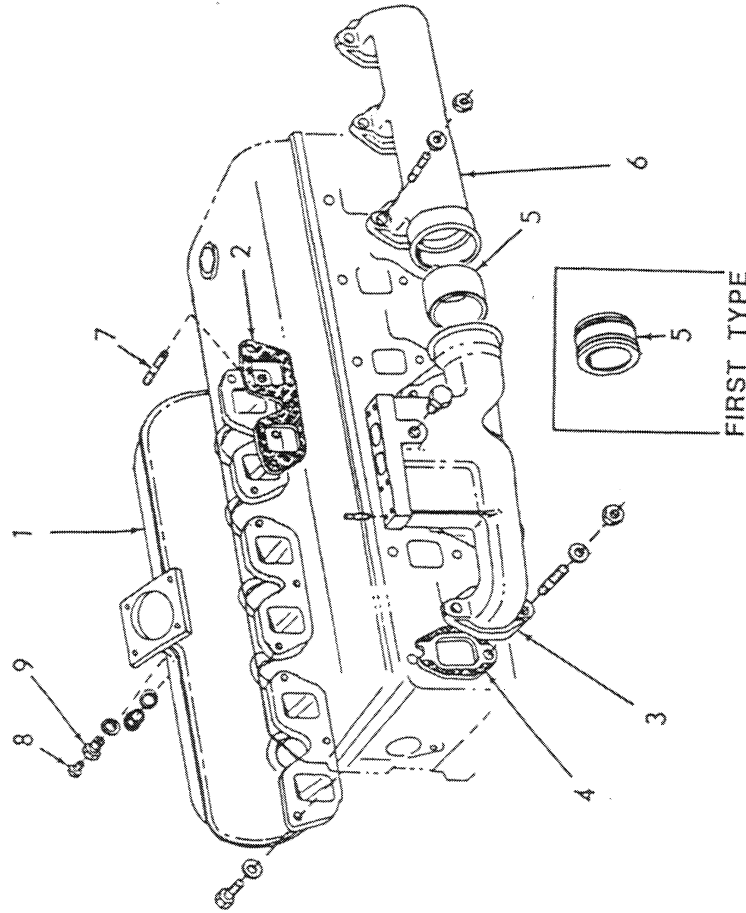
A228

1

REVISED DECEMBER 1989

ITEM PART NO. QTY. LEX. DESCRIPTION

1	04786899	1	225C	MANIFOLD, INTAKE
			602A	PRIOR TO ENG. S/N 082942
	04801921	1	225C	MANIFOLD, INTAKE
			602B	ENGINE S/N 082942 & UP
	04753563	1	50T	PLUG
	16550760	1	123G	GASKET
	16043421	9	40V	CAPSCREW, M8 X 1.25 X 20MM
	10519601	9	131R	WASHER, M8
2	04776544	3	123G	GASKET (SEE PAGE 9/5)
3	04754672	1	230C	MANIFOLD, EXHAUST
			600G	FRONT
	04723150	1	50T	PLUG
	04754566	6	210P	STUD, M10
	04799276	6	210P	STUD, M8
	10519611	6	131R	WASHER, M8
	14048227	6	10D	NUT, M8
4	04813566	6	123G	GASKET (SEE PAGE 9/6)
5	04631051	1	193T	PIPE
			602A	PRIOR TO ENGINE NO. 105708
	04813001	1	193T	PIPE
			602B	ENGINE NO. 105708-UP
	04631052	4	49A	RING, INSULATING
6	04630430	1	230C	MANIFOLD, EXHAUST
			600H	REAR
	04799276	6	210P	STUD, M8
	10519611	6	131R	WASHER, M8
	14048227	6	10D	NUT, M8
7	13543321	1	210P	STUD, M8 X 1.25 X 36MM
8	11903011	1	50T	PLUG
9	04663081	1	20R	FITTING
	16550760	1	123G	GASKET



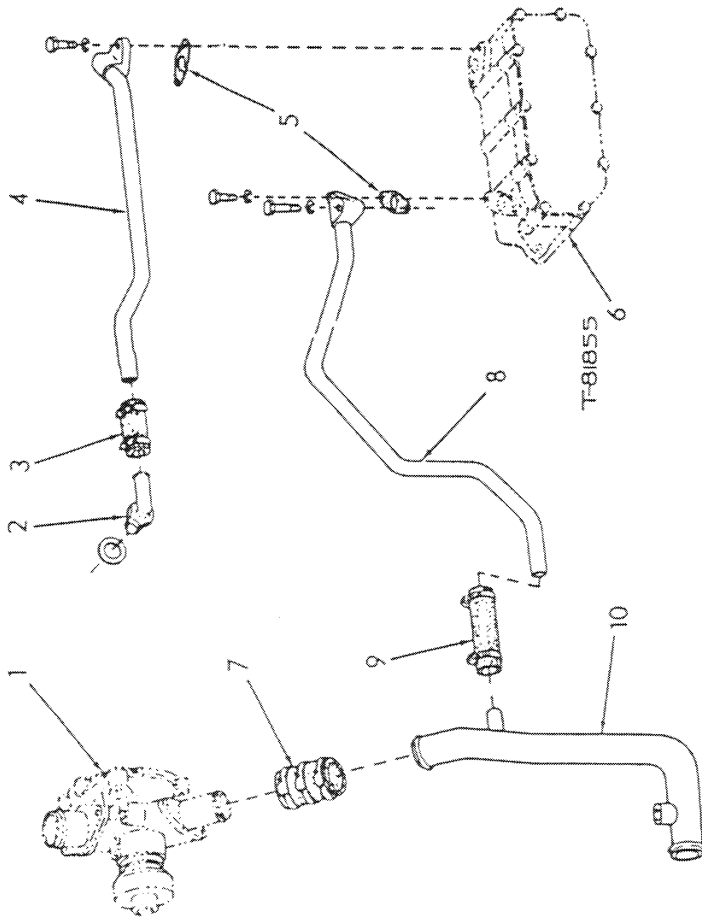
INTAKE & EXHAUST MANIFOLDS

FR12B

A254

REVISED OCTOBER 1990

ITEM	PART NO.	QTY.	CODE	DESCRIPTION	DENOMINAZIONE
1	---	1	152P	PUMP, WATER(A403)	POMPA ACQUA
2	04724747	1	90B	UNION	BOCCHETTONE
3	10263360	1	131R	WASHER, M20	ROSETTA
3	12077186	1	192T	HOSE	TUBO FLESSIBILE
4	12173890	2	120M	CLAMP	MORSETTO COLLARE
4	04762764	1	206T	TUBE	TUBO
	16043621	2	40V	CAPSCREW, MB X 1.25 X 25MM	VITE
5	11198371	2	131R	WASHER, M8	ROSETTA
5	04724814	2	123G	GASKET	GUARNIZIONE DI TENUTA
6	---	1	38R	COLLER(A307)	SCAMBIATORE
7	---	1	192T	HOSE(A401(1))	TUBO FLESSIBILE
8	04762766	1	206T	TUBE	TUBO
	16043921	2	40V	CAPSCREW, MB X 1.25 X 35MM	VITE
9	11198371	2	131R	WASHER	ROSETTA
9	73070286	1	192T	HOSE	TUBO FLESSIBILE
	600X			PRIOR TO UNIT NO.560787 FINO AL TELAIO.....	
	76014938	1	192T	HOSE	TUBO FLESSIBILE
	600Y			UNIT NO.560787 AND UP DAL TELAIO.....	
	70921911	2	120M	CLAMP	MORSETTO COLLARE
	600X			PRIOR TO UNIT NO.560787 FINO AL TELAIO.....	
	79083843	4	120M	CLAMP	MORSETTO COLLARE
	600Y			UNIT NO.560787 AND UP DAL TELAIO.....	
10	---	11	206T	TUBE(A401(1))	TUBO



FR12B

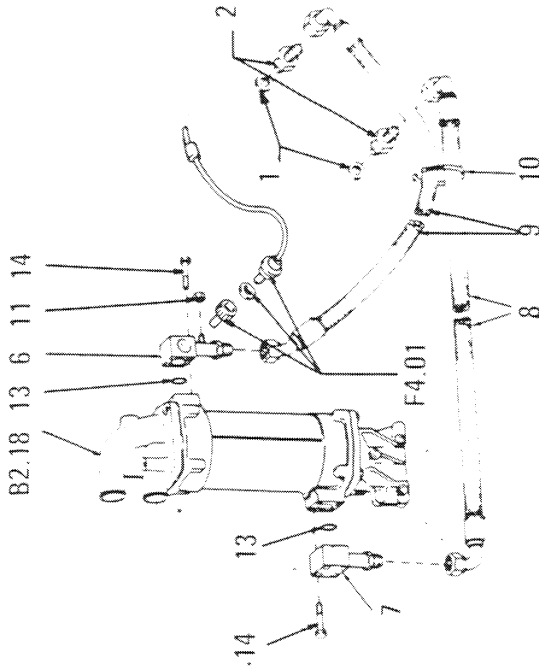
ENGINE HEAT EXCHANGER COOLANT PIPING

A402

5

REVISED DECEMBER 1989

I T E M	PART NUMBER	Q T Y	TRANS CODE	DESCRIPTION	DESCRIZIONE
1	10264660	2	122G	SEAL 26.3x32	GUARNIZIONE 26,3x32
2	76011343	2	20R	FITTING	RACCORDO
6	73137389	1	193T	TUBE	TUBO RIGIDO
7	73070138	1	193T	TUBE	TUBO RIGIDO
8	73136470	1	192T	HOSE ASSY	TUBO FLESS C./RACCORDI
9	73136472	1	192T	HOSE ASSY	TUBO FLESS C./RACCORDI
10	4982514	1	31F	CLAMP	FASCETTA
11	70921467	1	65C	BOOT	CAPPUCCIO
13	70924416	2	158G	O-RING	GUARNIZIONE O R
14	11343830	8	40V	SCREW 10x1,25x50	VITE 10x1,25x50



TRANSMISSION LUBRICATION SYSTEM - LUBRIFICAZIONE CAMBIO - GRAISSAGE DE B.V. -

GETRIEBESCHMIERUNG - ENGRASE DEL CAMBIO

B2.06

1

2

N.T.R. 151 - 15.02.1987
604.01.136.01

CLICK HERE TO **DOWNLOAD** THE COMPLETE MANUAL

- Thank you very much for reading the preview of the manual.
- You can download the complete manual from: www.heydownloads.com by clicking the link below



- Please note: If there is no response to CLICKING the link, please download this PDF first and then click on it.

CLICK HERE TO **DOWNLOAD** THE COMPLETE MANUAL