

AVOID ACCIDENTS

Most accidents, whether they occur in industry, on the farm, at home or on the highway, are caused by the failure of some individuals to follow simple and fundamental safety rules or precautions. For this reason **MOST ACCIDENTS CAN BE PREVENTED** by recognizing the real cause and doing something about it before the accident occurs. Regardless of the care used in the design and construction of any type of equipment there are conditions that cannot be completely safeguarded against without interfering with reasonable accessibility and efficient operation.

Carefully read instructions, cautions and safety warning quoted in the "SAFETY RULES" section.

A careful operator is the best insurance against an accident. The complete observance of one simple rule would prevent many thousand serious injuries each year.

The rule is:

Never attempt to clean, oil or adjust a machine while it is in motion.

WARNING

On machines having hydraulically, or mechanically, controlled equipment be certain the equipment is lowered to the ground before servicing, adjusting and/or repairing. If it is necessary to have the controlled equipment partially or fully raised to gain access to certain items, be sure the equipment is suitably supported by means of proper devices other than those used for controlling the equipment.

CALIFORNIA

Proposition 65 Warning

Diesel engine exhaust and some of its constituents are known to the State of California to cause cancer, birth defects, and other reproductive harm.

COPYRIGHT BY FIATALLIS

All rights reserved. Reproduction of text and illustrations in whole or in part, is strictly prohibited.

73177709 ISSUE 1 SEPTEMBER 1998

CLICK HERE TO **DOWNLOAD** THE COMPLETE MANUAL

- Thank you very much for reading the preview of the manual.
- You can download the complete manual from: www.heydownloads.com by clicking the link below



- Please note: If there is no response to CLICKING the link, please download this PDF first and then click on it.

CLICK HERE TO **DOWNLOAD** THE COMPLETE MANUAL



Table of contents

SURVEY

Machine type

FX270

Machine no.

No. of assembly	Description
23.610 - 2444673	CONTROL BLOCK INSTALL.MATERIAL
23.611 - 2496952	CONTROL BLOCK MOUNTING PARTS
23.611 - 2248584	CONTROL BLOCK MOUNTING PARTS
34.130 - 2496286	CONTROL COLUMN INSTALL.MATERIAL
34.131 - 2444891	CONTROL COLUMN MOUNTING PARTS
23.182 - 2141196	CONTROL VALVE
23.182 - 2141045	CONTROL VALVE
23.182 - 2141196	CONTROL VALVE
23.182 - 2141045	CONTROL VALVE
23.181 - 2249964	CONTROL VALVE MOUNTING PARTS
17.102 - 2496926	COUPLING/CLUTCH
17.100 - 2496927	COUPLING/CLUTCH INSTALL.MATERIAL
36.512 - 1908542	COVER SWING BEARING
36.510 - 2141120	COVER SWING BEARING INSTALL.MATERIAL
36.540 - 2283122	COVER TRAVEL GEAR
36.500 - 2782288	COVER UPPER CARRIAGE
06.010 - 2249897	CRAWLER CHASSIS INSTALL.MATERIAL
31.600 - 2496982	DASHBOARD INSTALL.MATERIAL
91.010 - 2496967	DECAL KIT
91.010 - 2782884	DECAL KIT
91.010 - 2496967	DECAL KIT
91.010 - 2782884	DECAL KIT
22.402 - 1908428	DISTRIBUTOR
22.400 - 2283892	DISTRIBUTOR INSTALL.MATERIAL
22.020 - 2283470	DOUBLEPUMP
06.102 - 2141402	DRIVING CHAIN
31.050 - 1287302	ELECTRICAL COMPON. I.CIRCUIT DIAGRAMM
32.999 - 2782749	ELECTRICAL SYSTEM ADDITION OTHER
13.220 - 2782172	EXHAUST SYSTEM INSTALL.MATERIAL
22.202 - 2248164	FILTER
22.200 - 2283804	FILTER INSTALL.MATERIAL
22.200 - 2283755	FILTER INSTALL.MATERIAL
22.200 - 2283804	FILTER INSTALL.MATERIAL
34.105 - 2495303	FOOT REST PLATFORM
01.300 - 2496963	FRAME UPPER CARRIAGE WITH MOUNT. PARTS
01.300 - 2496968	FRAME UPPER CARRIAGE WITH MOUNT. PARTS
01.300 - 2496963	FRAME UPPER CARRIAGE WITH MOUNT. PARTS
01.300 - 2496968	FRAME UPPER CARRIAGE WITH MOUNT. PARTS
01.300 - 2496963	FRAME UPPER CARRIAGE WITH MOUNT. PARTS
13.310 - 2496823	FUEL LINE
10.201 - 2782330	FUEL TANK MOUNTING PARTS
22.130 - 2782953	GEAR MOTOR
22.052 - 2496863	GEARED PUMP
22.052 - 2496865	GEARED PUMP



Cross reference

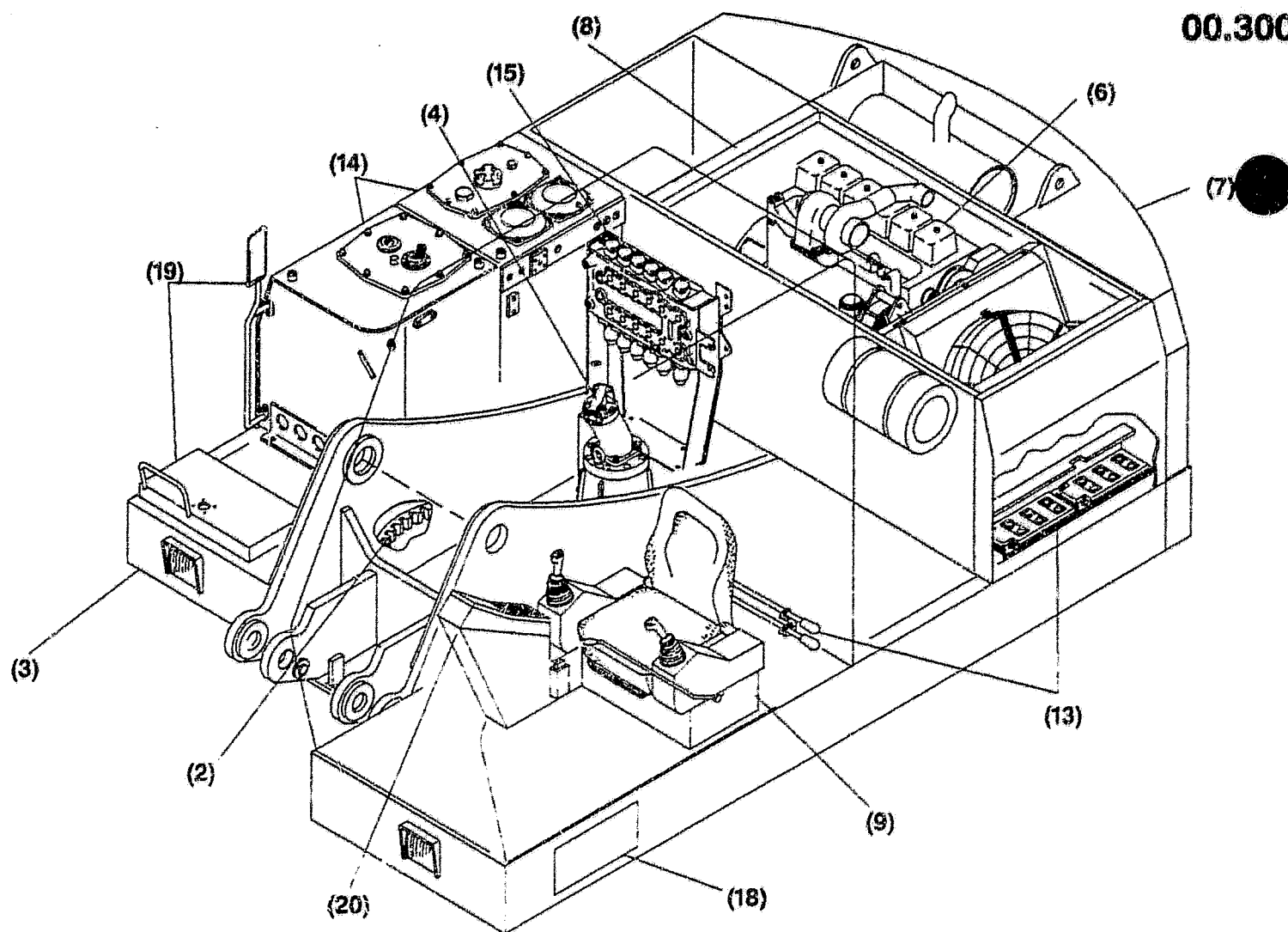
SURVEY		Machine type		FX270	Machine no.	
Part No.	No. of assembly	Item	Part No.	No. of assembly	Item	Item
73170203	16.030 - 2496801	104	73170259	13.230 - 2496827		006
73170203	36.010 - 2496971	043	73170269	22.200 - 2283804		004
73170204	36.010 - 2496971	054	73170269	36.010 - 2496971		055
73170205	06.190 - 2283120	015	73170269	36.500 - 2782288		012
73170205	23.290 - 2496573	005	73170273	10.101 - 2496784		015
73170205	27.010 - 2496798	004	73170274	10.101 - 2496784		004
73170205	30.200 - 2443073	005	73170277	10.101 - 2496784		005
73170205	31.300 - 2496961	013	73170277	92.020 - 2782031		024
73170205	34.130 - 2496286	002	73170279	10.101 - 2496784		014
73170205	34.640 - 2444852	003	73170279	10.201 - 2782330		004
73170205	35.060 - 1907741	004	73170281	10.101 - 2496784		024
73170205	35.060 - 2284173	002	73170282	10.101 - 2496784		016
73170205	36.010 - 2496971	029	73170282	10.201 - 2782330		022
73170208	36.010 - 2496971	046	73170283	10.101 - 2496784		028
73170210	13.220 - 2782172	011	73170283	13.220 - 2782172		012
73170210	13.230 - 2496827	008	73170283	34.220 - 2444896		153
73170210	15.120 - 2782006	018	73170283	36.010 - 2496971		044
73170210	22.200 - 2283755	004	73170285	10.101 - 2496784		007
73170210	31.300 - 2496961	007	73170286	10.101 - 2496784		040
73170210	36.010 - 2496971	064	73170286	92.020 - 2782031		018
73170210	36.510 - 2141120	009	73170287	10.101 - 2496784		018
73170212	23.291 - 2444789	013	73170288	10.101 - 2496784		019
73170212	27.010 - 2496798	005	73170289	10.101 - 2496784		021
73170212	34.101 - 2444880	004	73170290	92.020 - 2782031		025
73170212	34.130 - 2496286	003	73170291	10.101 - 2496784		020
73170212	34.500 - 2444944	004	73170295	23.612 - 2496805		029
73170212	34.500 - 2782534	102	73170296	10.101 - 2496784		066
73170212	36.010 - 2496971	047	73170296	16.031 - 2496306		010
73170213	15.120 - 2782006	021	73170296	20.020 - 2283123		006
73170213	31.300 - 2496961	010	73170296	20.642 - 2495382		026
73170213	34.300 - 2444397	002	73170296	22.501 - 2443411		005
73170213	36.010 - 2496971	065	73170296	23.050 - 2495629		003
73170213	36.510 - 2141120	010	73170296	23.181 - 2249964		006
73170214	15.120 - 2782006	011	73170296	23.210 - 2782613		003
73170214	36.010 - 2496971	032	73170296	23.231 - 2495356		003
73170215	13.220 - 2782172	015	73170296	23.240 - 2495251		002
73170215	15.120 - 2782006	020	73170296	23.240 - 2785334		002
73170215	31.300 - 2496961	008	73170296	23.611 - 2496952		010
73170215	34.022 - 2444904	605	73170296	30.020 - 2496974		001
73170215	36.010 - 2496971	056	73170298	10.101 - 2496784		035
73170223	36.010 - 2496971	253	73170298	10.201 - 2782330		029
73170223	36.010 - 2496971	303	73170298	16.031 - 2496806		011
73170223	36.010 - 2496971	503	73170298	20.020 - 2283123		008
73170223	36.010 - 2496971	603	73170298	20.280 - 2496836		024
73170223	36.010 - 2496971	703	73170298	20.280 - 2783387		024
73170232	36.010 - 2496971	803	73170298	22.501 - 2443411		004
73170233	36.010 - 2496971	801	73170301	10.101 - 2496784		047
73170234	36.010 - 2496971	802	73170301	10.031 - 2496806		012
73170246	10.101 - 2496784	022	73170302	10.101 - 2496784		033
73170251	10.101 - 2496784	037	73170302	20.280 - 2783387		018
73170255	20.610 - 2496707	062	73170304	10.101 - 2496784		023
73170259	23.611 - 2249984	011	73170310	36.010 - 2496971		050
73170259	23.611 - 2496952	010	73170324	22.501 - 2443411		003



Cross reference

SURVEY		Machine type		FX270	Machine no.		
Part No.	No. of assembly		Item	Part No.	No. of assembly		Item
73171895	23.611 -	2496952	032	73171935	23.612 -	2495805	216
73171896	23.611 -	2496952	033	73171935	23.612 -	2495805	226
73171897	23.612 -	2495805	001	73171935	23.612 -	2495805	236
73171898	23.612 -	2495805	006	73171935	23.612 -	2495805	246
73171899	23.612 -	2495805	007	73171937	23.612 -	2495805	502
73171900	23.612 -	2495805	008	73171938	23.612 -	2495805	503
73171901	23.612 -	2495805	010	73171939	23.612 -	2495805	504
73171903	23.612 -	2495805	302	73171940	24.022 -	2443008	001
73171904	23.612 -	2495805	303	73171941	24.022 -	2443008	002
73171905	23.612 -	2495805	305	73171942	24.022 -	2443008	003
73171906	23.612 -	2495805	011	73171943	24.022 -	2443008	006
73171908	23.612 -	2495805	402	73171945	24.022 -	2443008	302
73171909	23.612 -	2495805	403	73171945	24.052 -	2284411	302
73171910	23.612 -	2495805	012	73171946	24.022 -	2443008	303
73171911	23.612 -	2495805	021	73171946	24.052 -	2284411	303
73171912	23.612 -	2495805	024	73171947	24.022 -	2443008	304
73171913	23.612 -	2495805	025	73171947	24.052 -	2284411	304
73171915	23.612 -	2495805	030	73171948	24.022 -	2443008	305
73171918	23.612 -	2495805	034	73171948	24.052 -	2284411	305
73171919	23.612 -	2495805	040	73171949	24.022 -	2443008	306
73171920	23.612 -	2495805	041	73171949	24.052 -	2284411	306
73171921	23.612 -	2495805	042	73171950	24.022 -	2443008	307
73171922	23.612 -	2495805	043	73171951	24.022 -	2443008	308
73171923	23.612 -	2495805	045	73171952	24.022 -	2443008	011
73171924	23.612 -	2495805	046	73171953	24.022 -	2443008	019
73171925	23.612 -	2495805	047	73171953	24.052 -	2284411	019
73171926	23.612 -	2495805	048	73171954	24.022 -	2443008	023
73171927	23.612 -	2495805	049	73171954	24.052 -	2284411	023
73171928	23.612 -	2495805	051	73171954	24.052 -	2284411	204
73171929	23.612 -	2495805	052	73171955	24.022 -	2443008	102
73171930	23.612 -	2495805	101	73171956	24.022 -	2443008	103
73171930	23.612 -	2495805	800	73171957	24.022 -	2443008	203
73171931	23.612 -	2495805	202	73171959	24.022 -	2443008	205
73171931	23.612 -	2495805	212	73171959	24.032 -	2284790	023
73171931	23.612 -	2495805	222	73171959	24.032 -	2284790	208
73171931	23.612 -	2495805	232	73171960	24.022 -	2443008	206
73171931	23.612 -	2495805	242	73171961	24.032 -	2284790	001
73171932	23.612 -	2495805	203	73171962	24.032 -	2284790	002
73171932	23.612 -	2495805	213	73171963	24.032 -	2284790	003
73171932	23.612 -	2495805	223	73171964	24.032 -	2284790	004
73171932	23.612 -	2495805	233	73171966	24.032 -	2284790	302
73171932	23.612 -	2495805	243	73171967	24.032 -	2284790	303
73171933	23.612 -	2495805	204	73171968	24.032 -	2284790	304
73171933	23.612 -	2495805	214	73171969	24.032 -	2284790	305
73171933	23.612 -	2495805	224	73171970	24.032 -	2284790	306
73171933	23.612 -	2495805	234	73171971	24.032 -	2284790	307
73171933	23.612 -	2495805	244	73171973	24.032 -	2284790	019
73171934	23.612 -	2495805	205	73171973	24.032 -	2284790	206
73171934	23.612 -	2495805	215	73171974	24.032 -	2284790	102
73171934	23.612 -	2495805	225	73171975	24.032 -	2284790	103
73171934	23.612 -	2495805	235	73171976	24.032 -	2284790	204
73171934	23.612 -	2495805	245	73171977	24.032 -	2284790	205
73171935	23.612 -	2495805	206	73171978	24.032 -	2284790	308

00.300



2 496 542.010



UPPER CARRIAGE EXCAVATOR

00.300

FX270 / 40301 - 40305

T 2496542 - 001

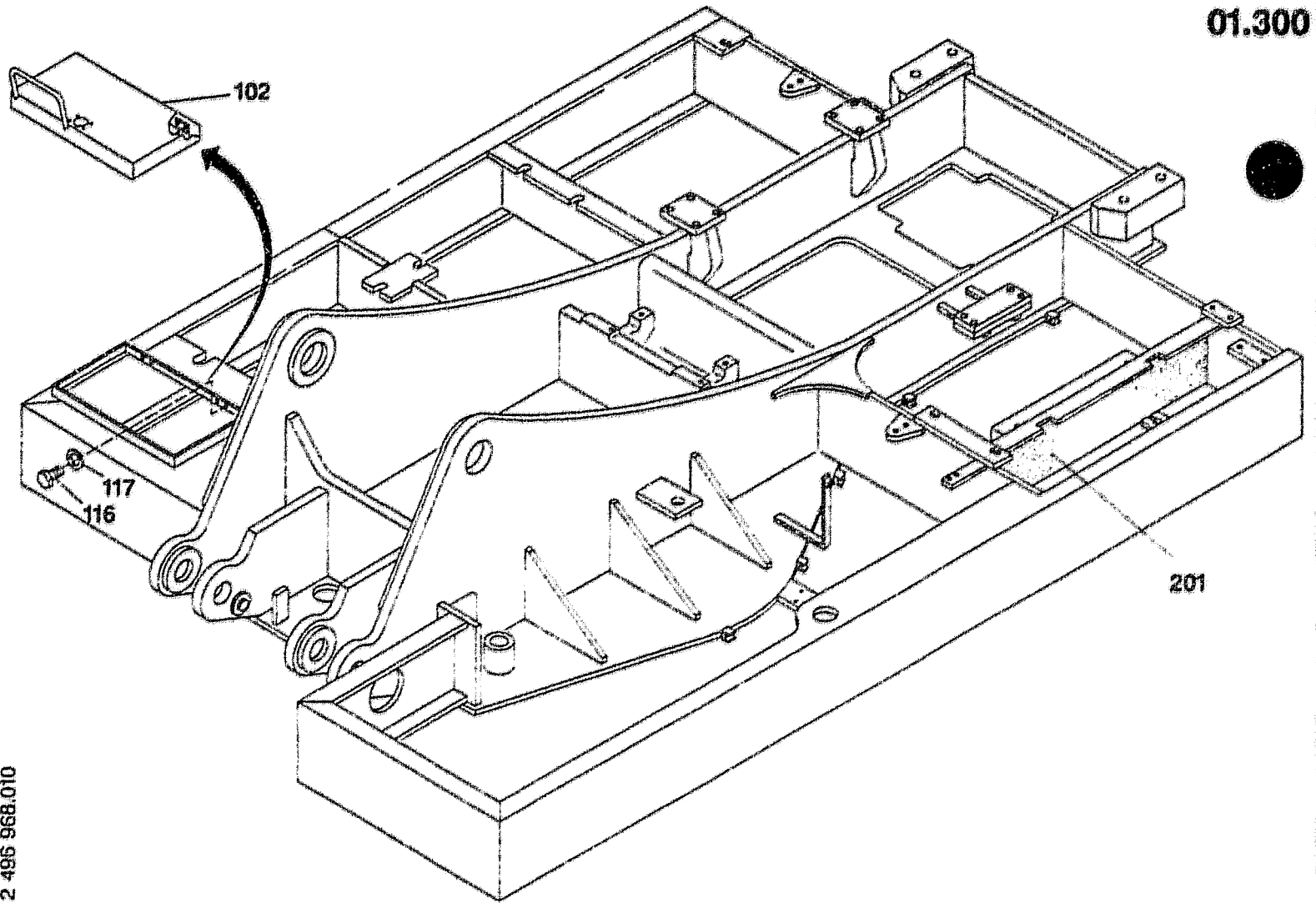
B 2496542 - 010

Item	Quan.	ME	Part No.	Description
008	1	00	36.010 2496971	PANELING INSTALL.MATERIAL
009	1	00	34.012 2496795	CAB MODULE
013	1	00	01.300 2496963	FRAME UPPER CARRIAGE WITH MOUNT. PARTS
014	1	00	10.010 2496783	CONTAINER INSTALL.MATERIAL
015	1	00	20.030 2782461	HYDRAULIC SYSTEM UPPER CARRIAGE
018	1	00	91.010 2496967	DECAL KIT

ME: 00 = Stück/piece 13 = m 26 = m² 39 = m³ 43 = kg 50 = l (litre)

1998-09-11

01.300

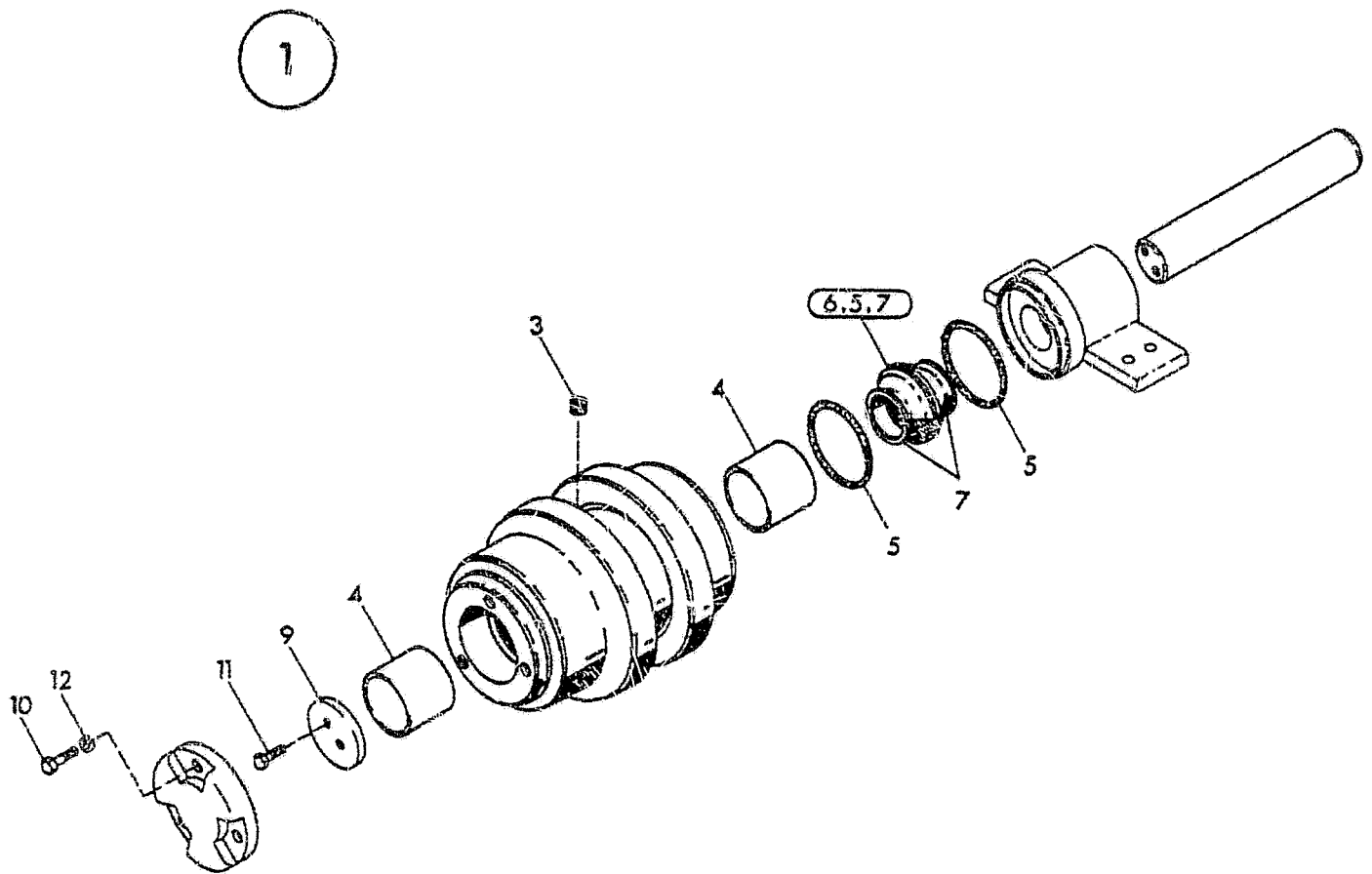


2 496 968.010

				01.300	
				T 2496968 - 000 B 2496968 - 010	
				FX270 / 40301 -	
Item	Quan.	ME	Part No.	Description	
102	1	00	73171567	LID	
116	4	00	73170621	HEXAGON BOLT	
117	4	00	73170697	LOCK WASHER	
201	1	00	73171568	INSULATION KIT	

ME: 00 = Stück/piece 13 = m 26 = m² 39 = m³ 43 = kg 50 = l (litre)

1998-09-11



2 283 023.010



SUPPORT ROLLER

06.180

FX270 / 40301 -

T 2283023 - 001

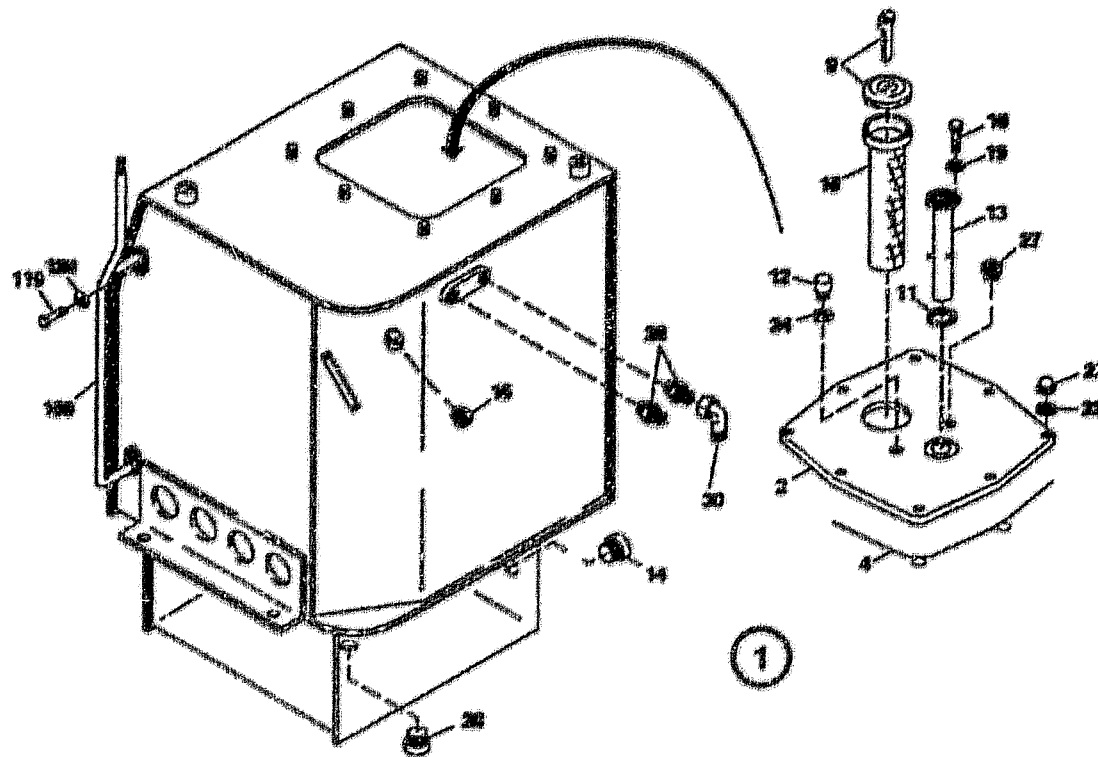
B 2283023 - 010

Item	Quan.	ME	Part No.	Description
001	1	00	73171623	SUPPORT ROLLER
003	1	00	73171624	SCREW PLUG
004	2	00	73171625	BUSHING
005	2	00	73171626	GASKET
006	1	00	73171627	GASKET
007	2	00	73171628	GASKET
009	1	00	73171629	DISK/WASHER
010	3	00	73171630	SCREW
011	2	00	73171631	HEXAGON BOLT
012	1	00	73171632	SPACER

ME: 00 = Stück/piece 13 = m 26 = m² 39 = m³ 43 = kg 50 = l (litre)

1998-09-11

2 782 330 010



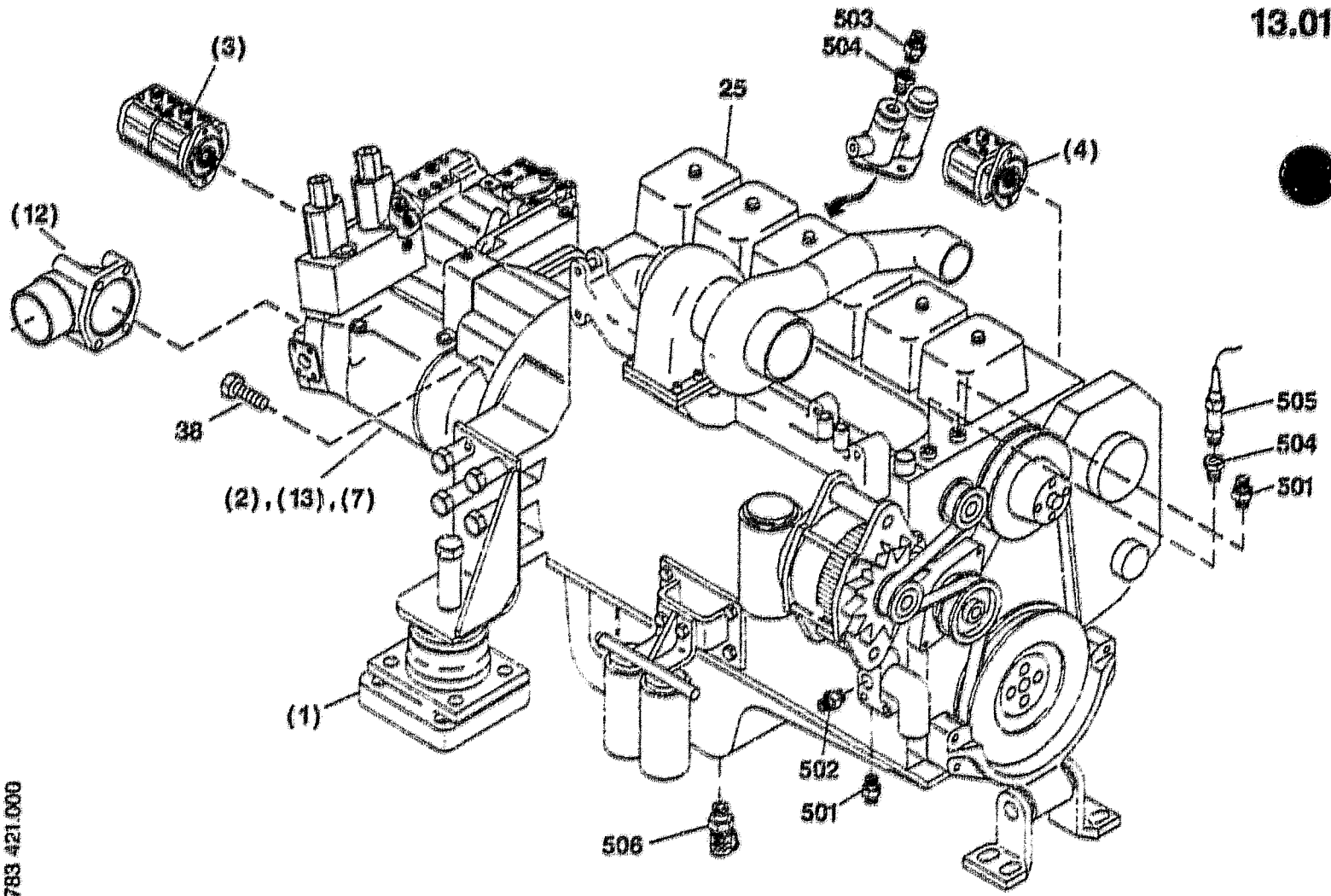
FUEL TANK MOUNTING PARTS

10.201

FX270 / 40301 -

T 2782330 - 000
B 2782330 - 010

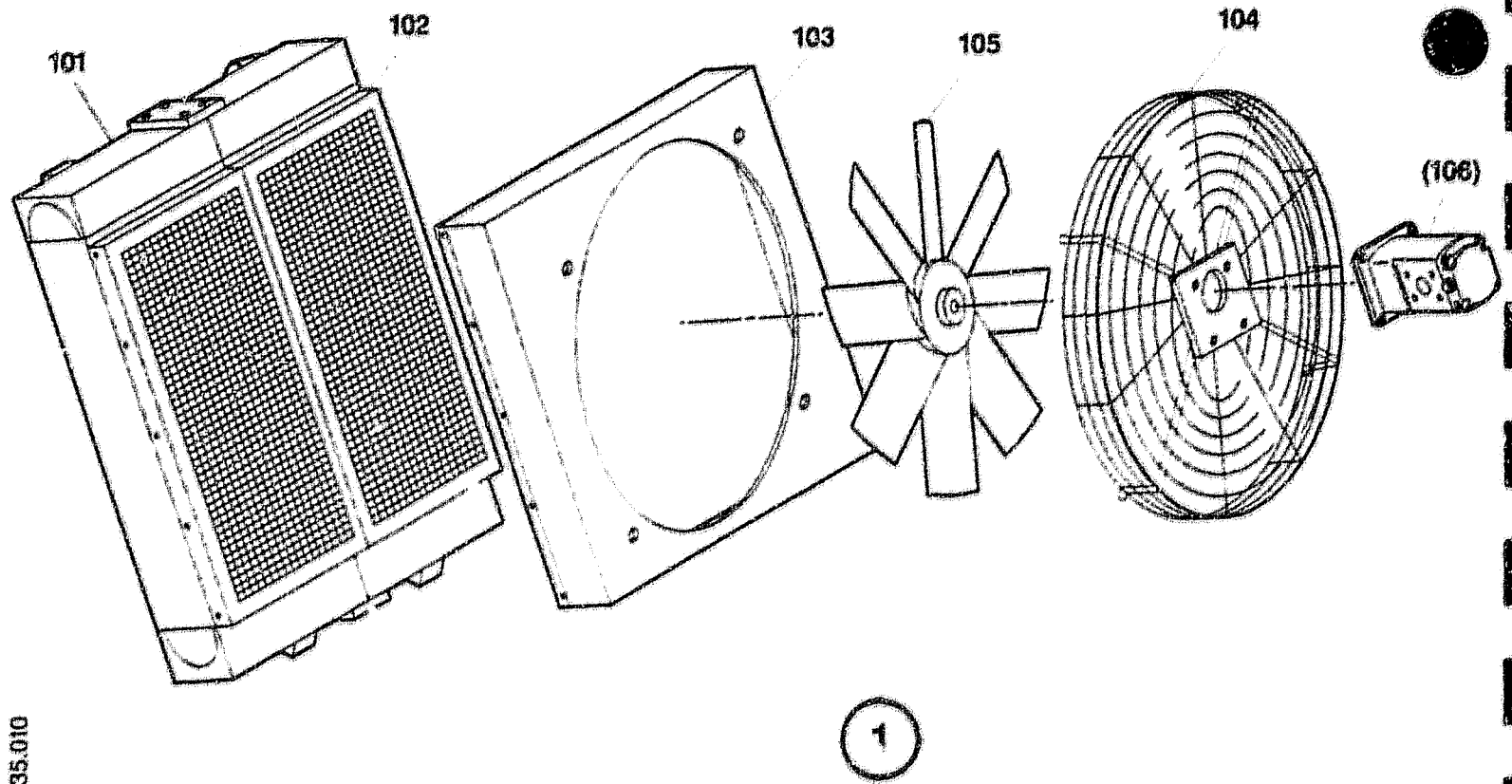
Item	Quar.	ME	Part No.	Description
030	1	00	73170925	SOCKET



2 783 421 000

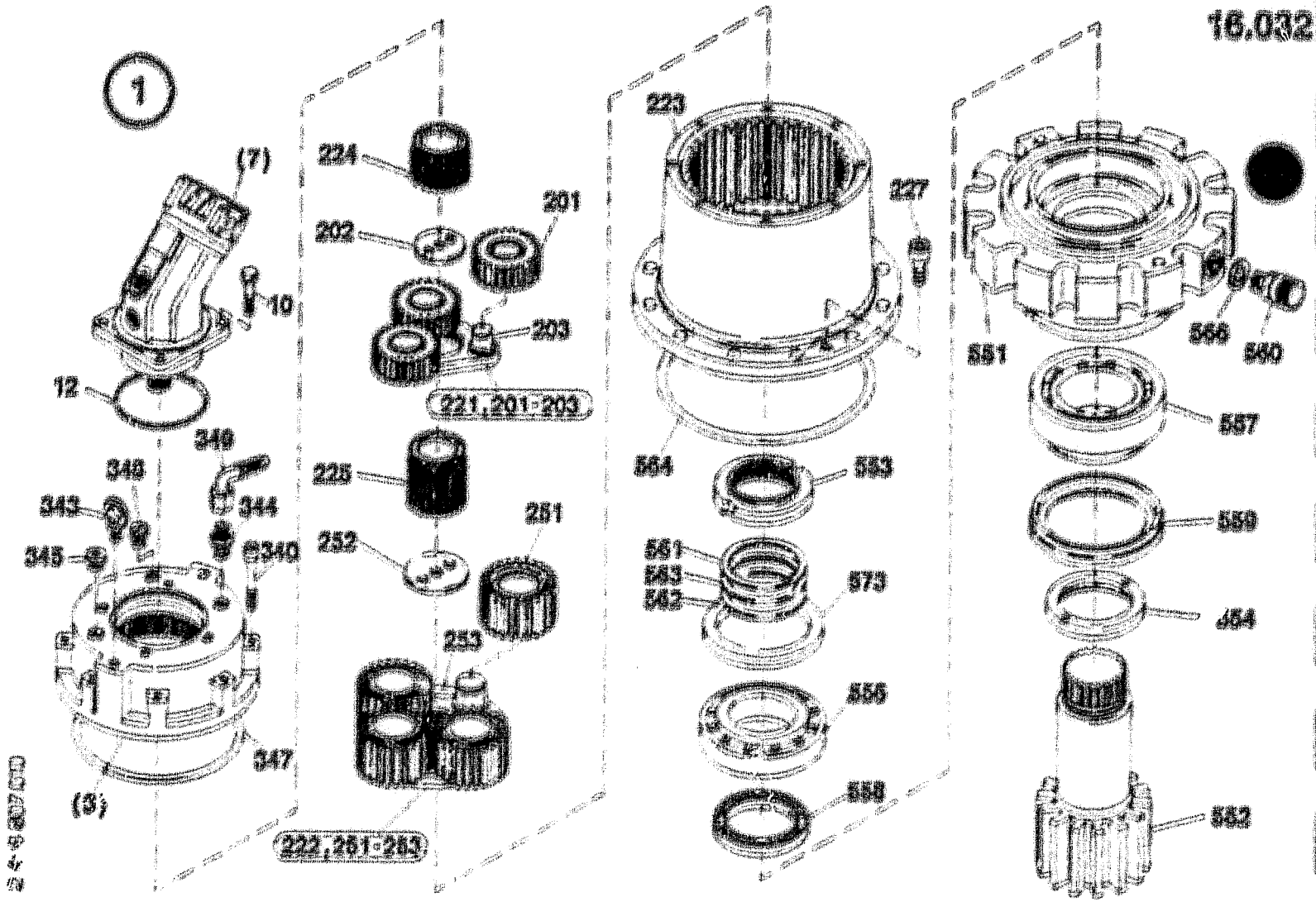
				13.011	
				T 2783421 - 000 B 2783421 - 000	
				FX270 / 40310 -	
Item	Quan.	ME	Part No.	Description	
001	1	00	13.020 2782716	BEARING MOTOR	
002	1	00	17.100 2496927	COUPLING/CLUTCH INSTALL.MATERIAL	
003	1	00	22.050 2496839	GEARED PUMP INSTALL.MATERIAL	
004	1	00	22.050 2496840	GEARED PUMP INSTALL.MATERIAL	
007	1	00	20.280 2783387	HYDRAULIC SYSTEM PUMP GOVERNING	
012	1	00	20.260 2496931	OIL SUCTION SYSTEM	

ME: 00 = Stück/piece 13 = m 26 = m² 39 = m³ 43 = kg 50 = l (litre)




2 496 835.010

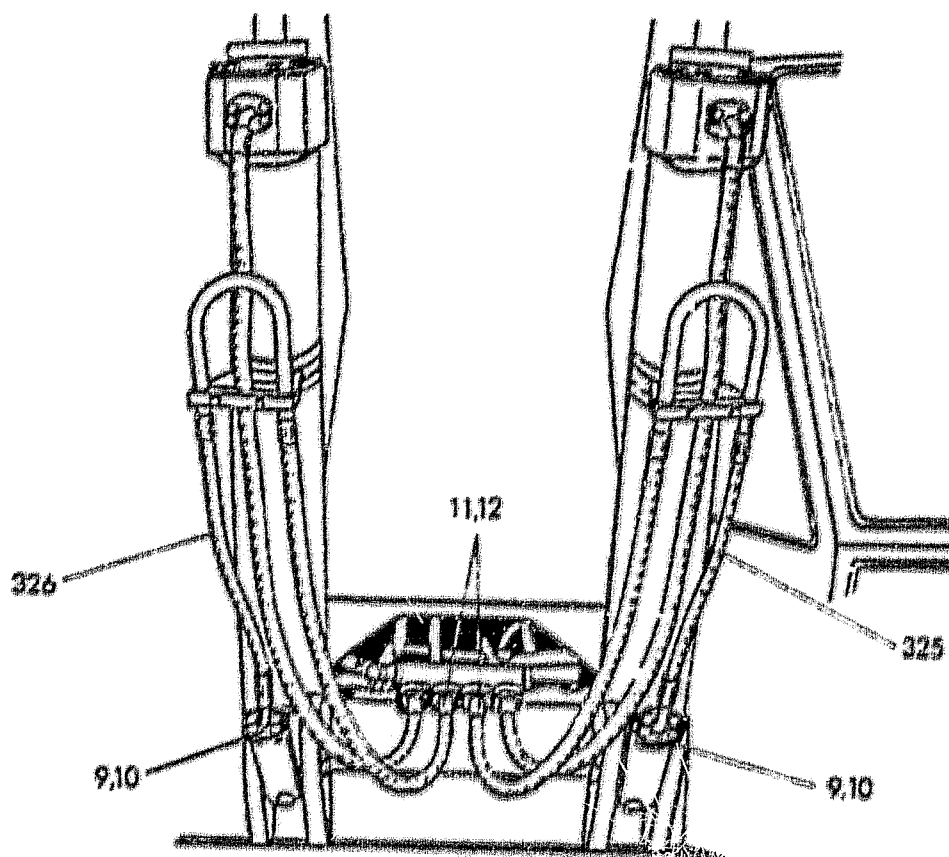
				15.122	
				T 2496835 - 002 B 2496835 - 010	
				FX270 / 40301 -	
Item	Quan.	ME	Part No.	Description	
001	1	00	73171698	OIL/WATER COOLER	
101	1	00	73175912	OIL COOLER	
102	1	00	73175913	WATER RADIATOR	
103	1	00	73175914	VENTILATION BOX	
104	1	00	73175915	GUARD GRID	
105	1	00	73175916	FAN	
106	1	00	22.130 2782953	GEAR MOTOR	



13
14
15
16
17
18
19
20
21
22
23
24
25
26
27
28
29
30
31
32
33
34
35
36
37
38
39
40
41
42
43
44
45
46
47
48
49
50
51
52
53
54
55
56
57
58
59
60
61
62
63
64
65
66
67
68
69
70
71
72
73
74
75
76
77
78
79
80
81
82
83
84
85
86
87
88
89
90
91
92
93
94
95
96
97
98
99
100

				SLEWING GEAR COMPLETE		16.032
				FX270 / 40301		T 2496807 - 000 B 2496807 - 010
Item	Quan.	ME	Part No.	Description		
561	1	00	73170808	SHIM RING		
562	1	00	73170810	SHIM RING		
563	1	00	73170812	SHIM RING		
564	1	00	73170813	ROUND SEALING RING		
566	1	00	73170814	SEALING RING		
573	1	00	73170815	SEALING RING		

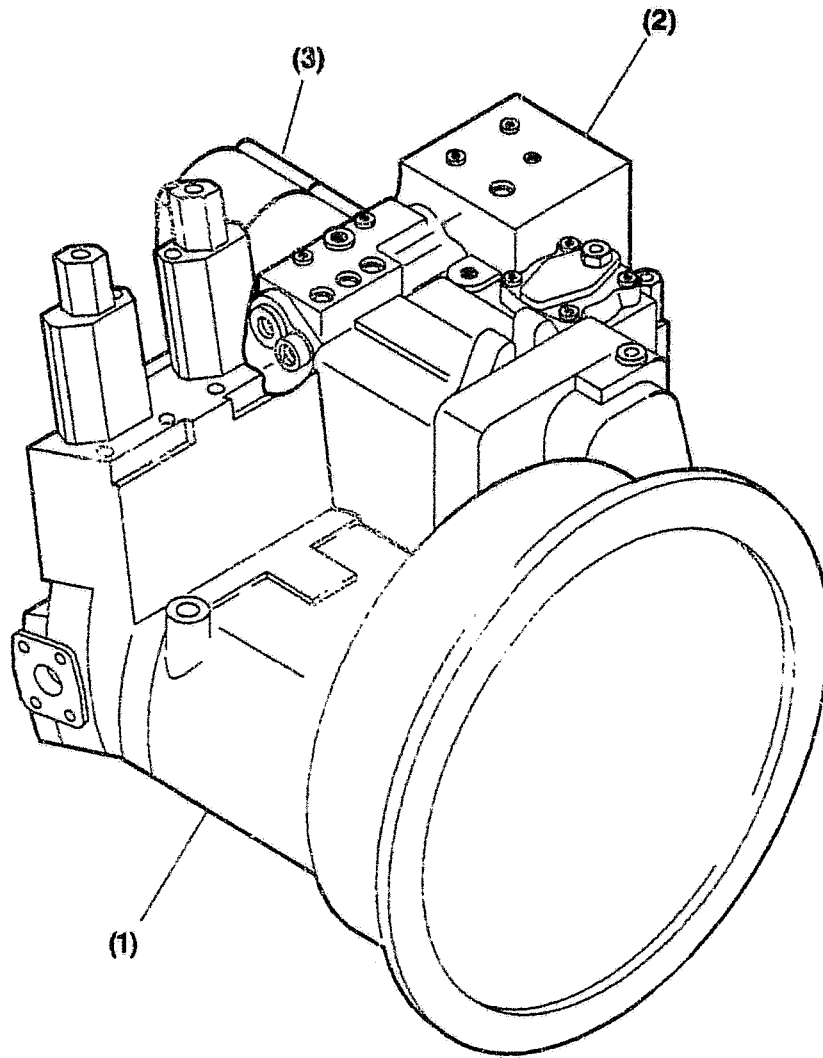
ME: 00=Stück/piece 13=m 28=m² 39=m³ 43=kg 50=1 (kwh)



2 284 417 010

				20.600	
				T 2284417 - 001 B 2284417 - 010	
				FX270 / 40301 -	
Item	Quan.	ME	Part No.	Description	
008	2	00	73170327	SEALING RING	
010	8	00	73170328	12-POINT SCREW	
011	2	00	73170341	SEALING RING	
012	8	00	73170342	12-POINT SCREW	
325	1	00	73171796	HOSE	
326	1	00	73171797	HOSE	

ME: 00=Stuck/piece 13=m 25=m² 33=m³ 43=kg 60=l (litre)



2 783 420.000



PUMP INSTALL.MATERIAL

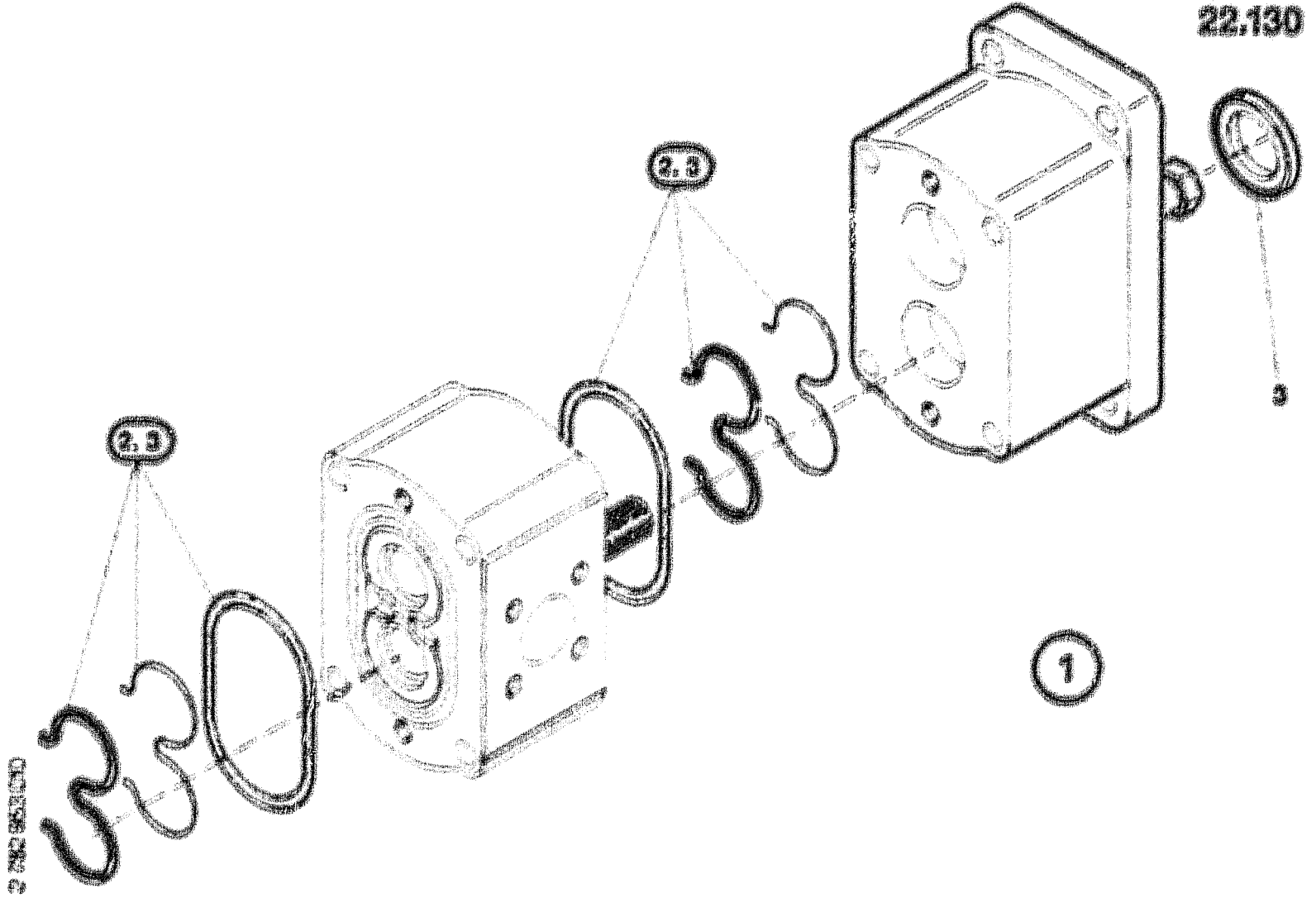
22.010


FX270 / 40310 -

T 2783420 - 000

B 2783420 - 000

Item	Quan.	ME	Part No.	Description
001	1	00		22.020 2283470 DOUBLEPUMP
002	1	00		22.030 2783392 SWING PUMP
003	1	00		22.052 2496863 GEARED PUMP



 GEAR MOTOR 22.130			
Item	Quan.	ME	Part No.
001	1	00	73178817
002	1	00	73178488
003	1	00	73178487

T 2782953 - 000
D 2782953 - 010



SWING PUMP

22.030

FX270 / 40301 - 40309

T 248932 - 001

B 248693 - 010

Item	Quan.	ME	Part No.	Description
001	1	00	73171847	VARIABLE PUMP
020	1	00	73171864	SCREW PLUG
021	1	00	73170359	SCREW PLUG
022	7	00	73171685	SCREW PLUG
023	2	00	73172457	SCREW PLUG
024	1	00	73175918	SCREW PLUG
025	1	00	73170755	O-RING
026	1	00	73175919	SCREW PLUG
032	1	00	73170456	SCREW PLUG
037	2	00	73175920	CIRCLIP
038	1	00	73175921	ROT.SHAFT LIP SEAL
115	2	00	73174018	CIRCLIP
119	1	00	73174352	O-RING
120	2	00	73175922	O-RING
130	2	00	73175923	PISTON GUIDE RING
131	2	00	73175924	SEALING RING
301	2	00	73175925	PRESS.REL.VALVE
302	1	00	73175926	VALVE
307	4	00	73175927	CYL.HEAD SCREW
309	1	00	73175928	O-RING
313	3	00	73171833	SCREW PLUG
326	2	00	73170496	O-RING
359	1	00	73170755	O-RING
360	1	00	73175929	SUPPORT RING
365	1	00	73170755	O-RING
401	1	00	73175930	GEARED PUMP
409	1	00	73175931	SNAP RING
410	4	00	73175932	CYL.HEAD SCREW
412	1	00	73175933	SEALING RING
416	1	00	73175934	O-RING
451	1	00	73175935	WEARING PLATE
453	1	00	73175933	SEALING RING
511	1	00	73170749	O-RING
512	1	00	73175936	CYL.HEAD SCREW
513	4	00	73175839	CYL.HEAD SCREW
518	4	00	73172457	SCREW PLUG
519	1	00	73171665	SCREW PLUG

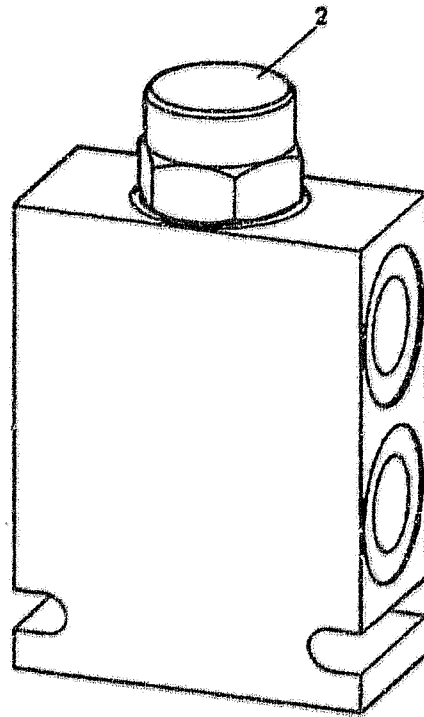
CLICK HERE TO **DOWNLOAD** THE COMPLETE MANUAL

- Thank you very much for reading the preview of the manual.
- You can download the complete manual from: www.heydownloads.com by clicking the link below



- Please note: If there is no response to CLICKING the link, please download this PDF first and then click on it.

CLICK HERE TO **DOWNLOAD** THE COMPLETE MANUAL



2 141 196 010



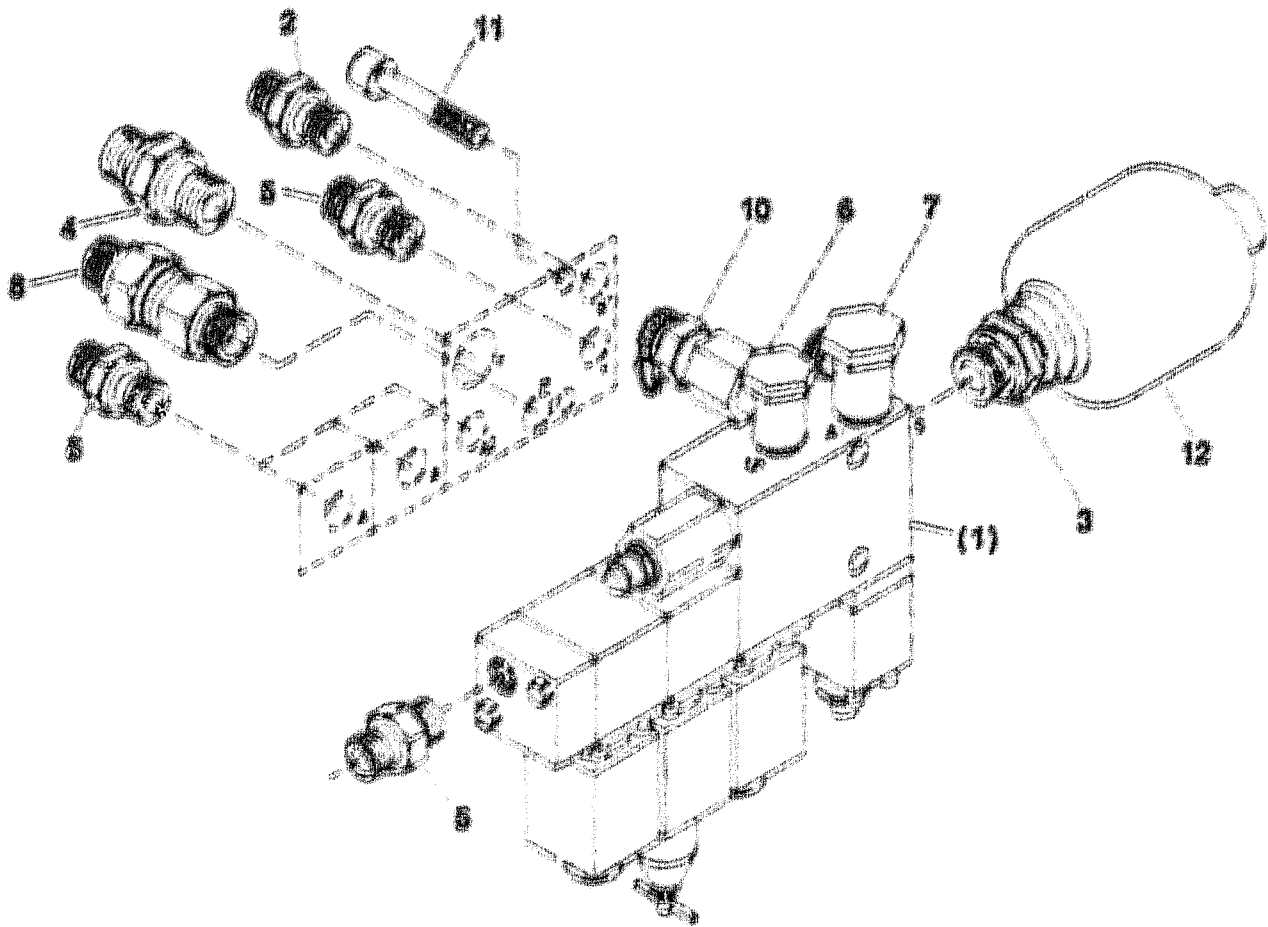
CONTROL VALVE

23.182

FX270 / 40301 -

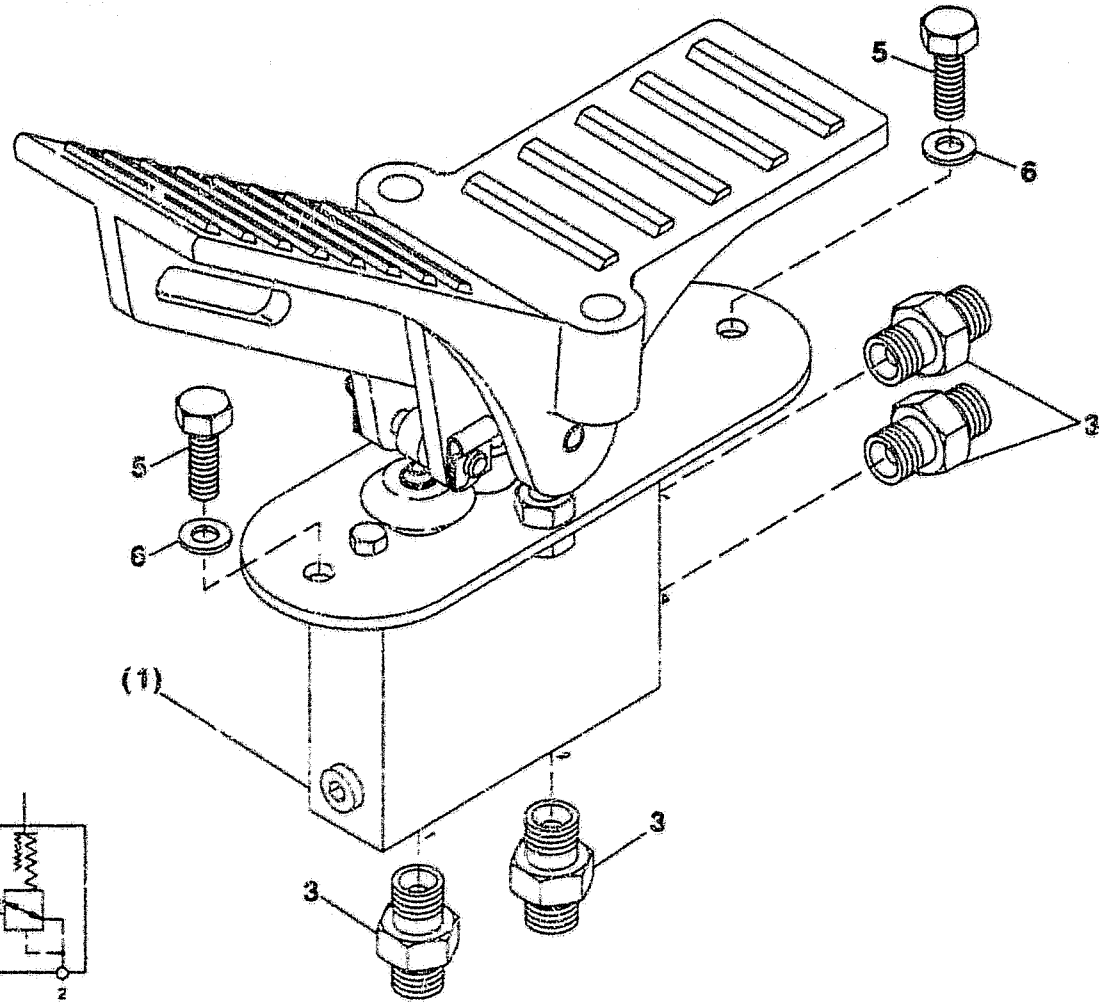
T 2141196 - 001
B 2141196 - 010

Item	Quan.	ME	Part No.	Description
001	1	00	73170523	VALVE BLOCK
002	1	00	73170524	VALVE
003	1	00	73170525	SET OF PIST. RINGS




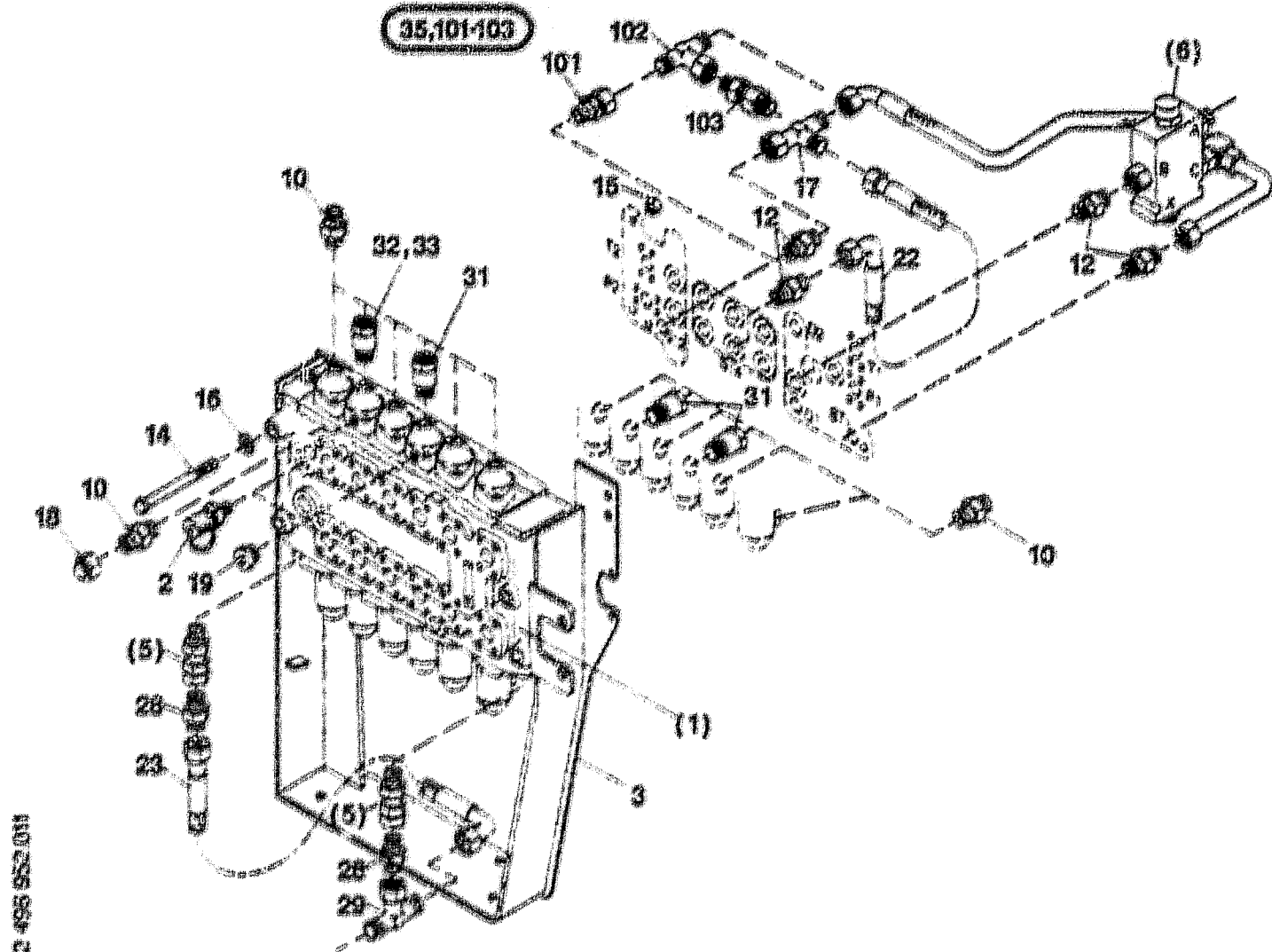
2 783 333 010


				23.240
				T 2783334 - 000 B 2783334 - 010
				FX270 (40310 - 000)
Item	Quan.	ME	Part No.	Description
001	1	00		23.241 2783333 VALVE INTERCONN. MOUNTING PARTS
002	1	00	73170296	SOCKET
003	1	00	73170582	SOCKET
004	1	00	73170553	SOCKET
005	5	00	73170510	SOCKET
006	1	00	73171883	TUBE FITTING
007	1	00	73171923	SWING FIXTURE
008	1	00	73178866	CHECK VALVE
010	1	00	73170559	TUBE FITTING
011	2	00	73170457	CYL HEAD SCREW
012	1	00	73170459	RESERVOIR



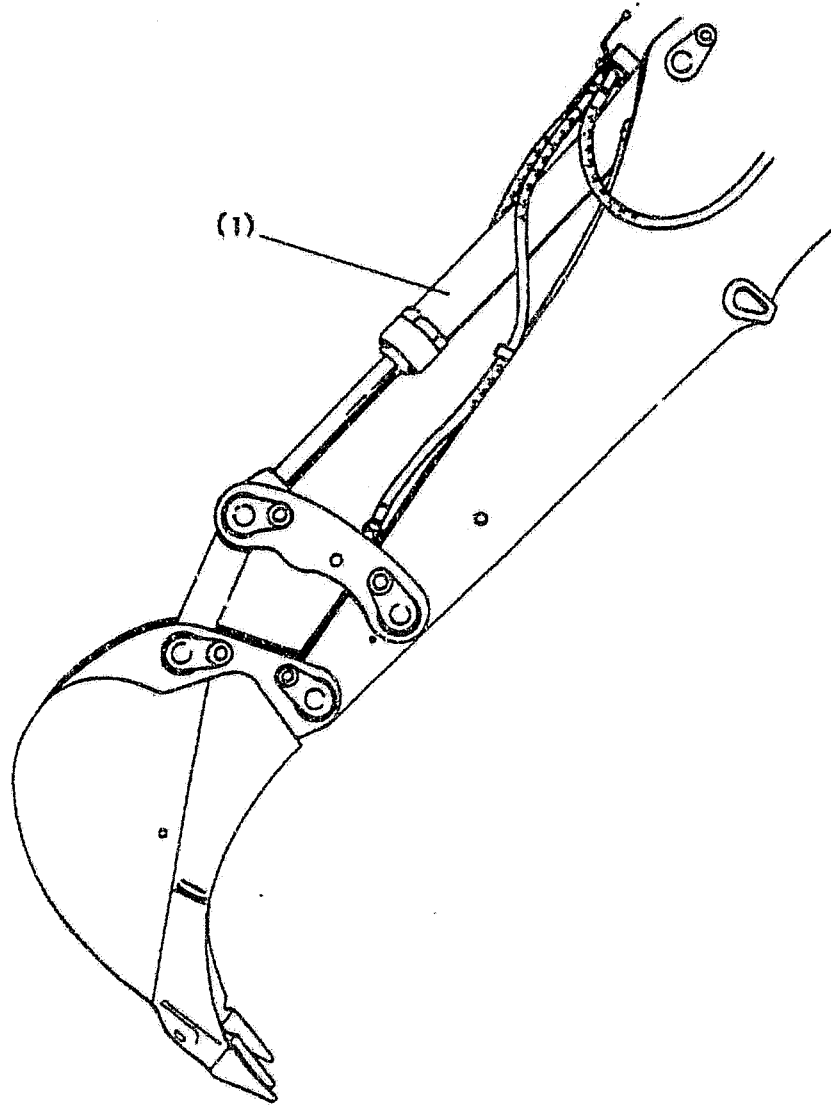
2 496 573.010

				23.290
				T 2496573 - 000 B 2496573 - 010
 TREADLE VALVE INSTALL.MATERIAL				
FX270 / 40301 -				
Item	Quan.	ME	Part No.	Description
001	1	00		23.292 2496572 TREADLE VALVE
003	4	00	73170380	SOCKET
005	2	00	73170205	HEXAGON BOLT
006	2	00	73170160	DISK/WASHER



				23.611
				T 2496952 - 004 B 2496952 - 011
 CONTROL BLOCK MOUNTING PARTS				
FX270 / 40301 -				
Item	Quan.	ME	Part No.	Description
023	1	00	73177317	HOSE
028	2	00	73170510	SOCKET
029	1	00	73170393	SOCKET
031	3	00	73171895	REGULATOR
032	0	00	73171895	REGULATOR OHNE ROHRBRUCHSICHERUNG WITHOUT PIPE-BREAK PROTECTION
033	0	00	73171895	REGULATOR FUER RBS AUSLEGERZYLINDER FOR PIPE-BREAK PROTECTION BOOM CYLINDER
035	1	00	73176473	CONVERSION SET
101	1	00	73171875	SOCKET/ADAPTER
102	1	00	73176474	SOCKET
103	1	00	73176475	CHECK VALVE

ME: 00 = 1/2 inch / piece 13 = m 25 = m² 35 = m³ 43 = kg 50 = l (litre)



2 284 410.010

FIATALLIS		BACKHOE CYLINDER INSTALL.MATERIAL			24.050
				FX270 / 40301 -	T 2284410 - 000 B 2284410 - 010
Item	Quan.	ME	Part No.	Description	
001	1	00		24.052 2284411 BACKHOE CYLINDER	



Electrical components in circuit diagram

31.050 -

FX270

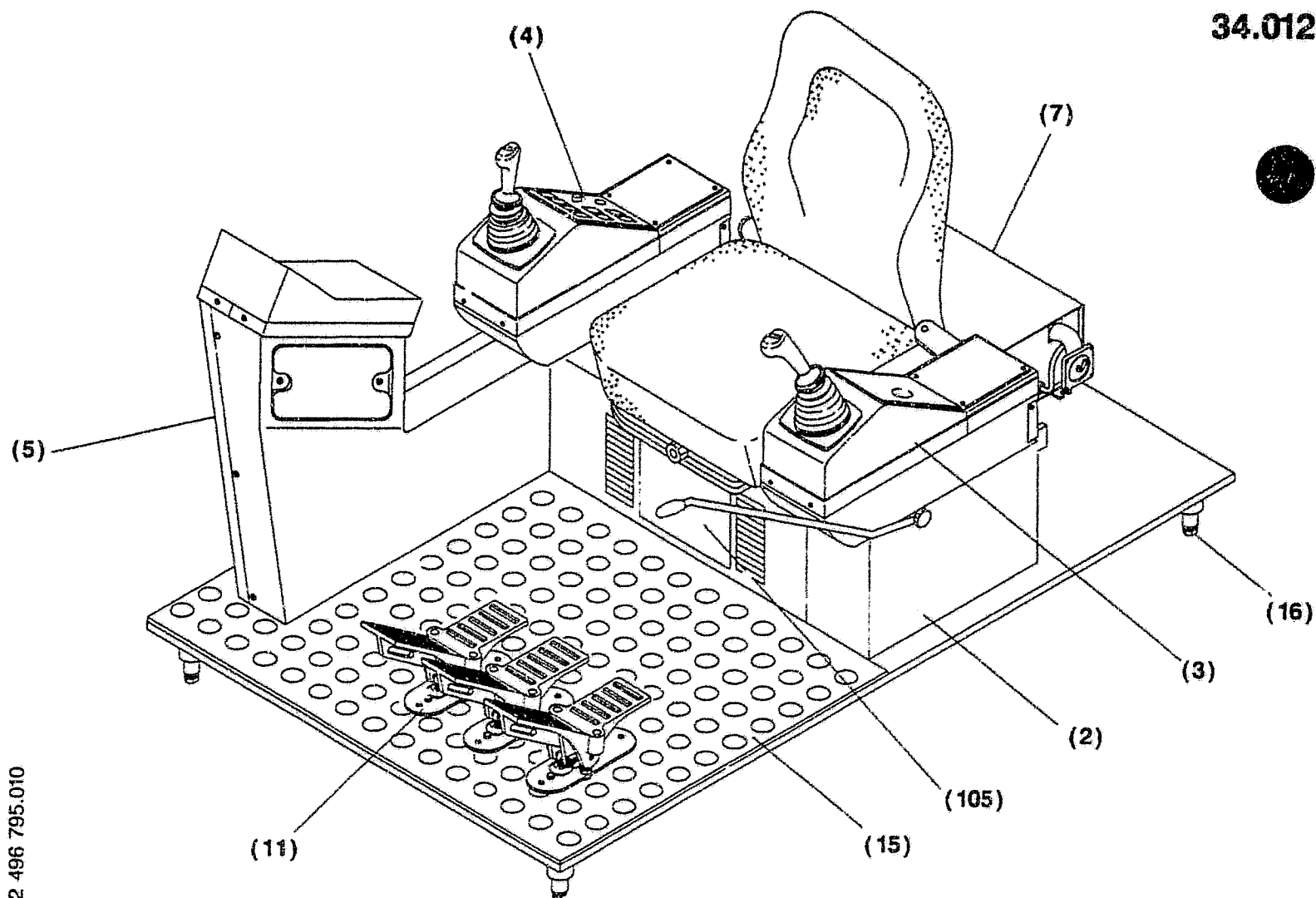
Circuit diagram No.

270

T 1287302 - 002

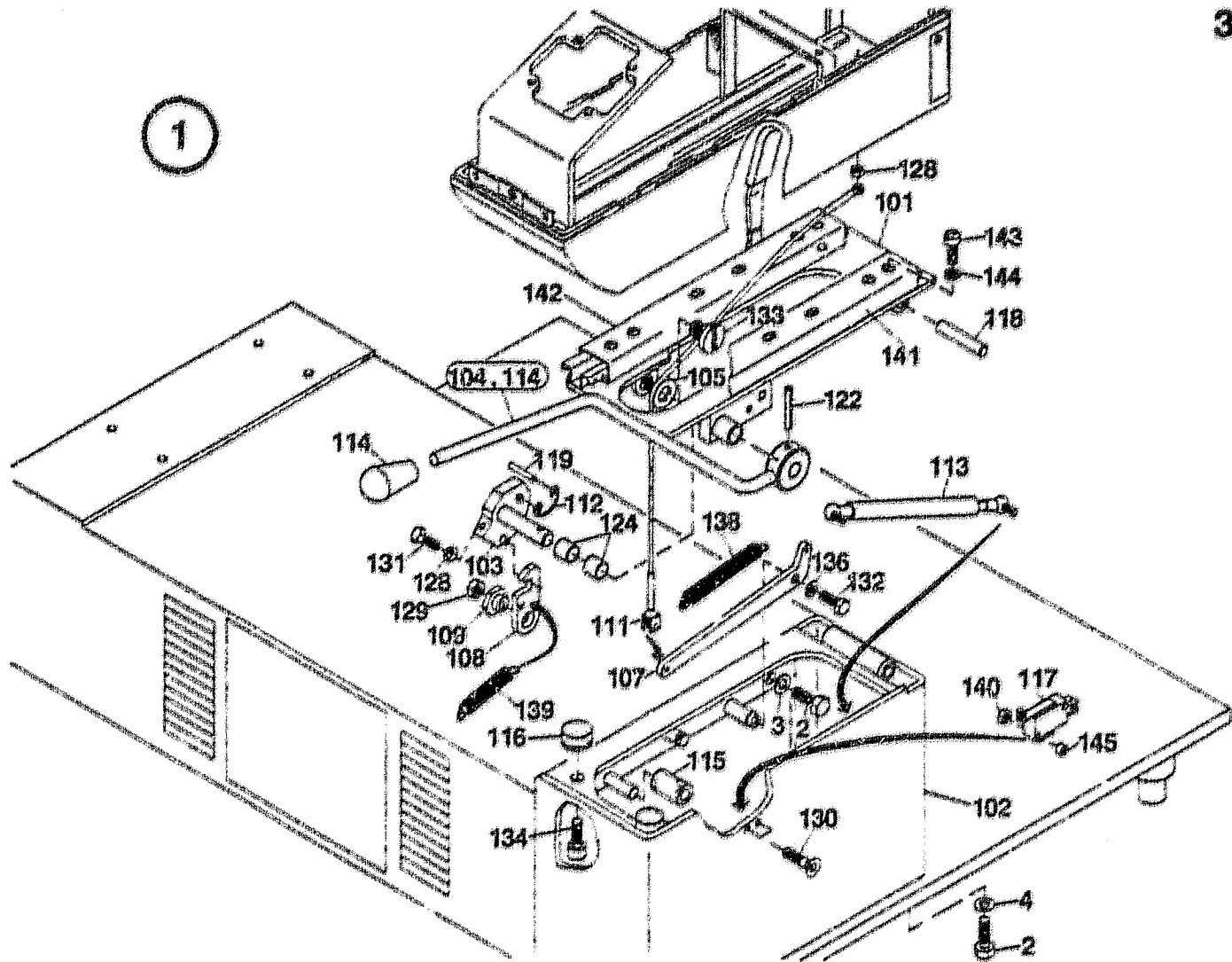
B 2459343 - 010

Part	Quantity	Description and function	Curr. Path	Location	Part no.
F20	1,000	FUSE HOLDER	2 - 4/16 -	CONTROL PANEL	73175261
F20	2,000	CONTACT SLEEVE	2 - 4/16 -	CONTROL PANEL	73175262
F3	1,000	FUSE	3 - 0/18 -	CONTROL PANEL	73172606
F4	1,000	FUSE	6 - 1/16 -	CONTROL PANEL	73172607
F5	1,000	FUSE	6 - 5/16 -	CONTROL PANEL	73172608
F6	1,000	FUSE	10 - 1/16 -	CONTROL PANEL	73172606
F8	1,000	FUSE	6 - 0/16 -	CONTROL PANEL	73172606
F9	1,000	FUSE	2 - 7/16 -	CONTROL PANEL	73172606
G1	1,000	ALTERNATOR	2 - 1/80 -	ENGINE	
G1.1	1,000	BATTERY	2 - 0/61 -	BATTERY BOX	
G1.1	1,000	CAP	2 - 0/61 -	BATTERY BOX	73172610
G1.2	1,000	BATTERY	2 - 0/73 -	BATTERY BOX	
G1.2	1,000	CAP	2 - 0/73 -	BATTERY BOX	73172610
H7	1,000	HORN	6 - 5/81 -	PLATFORM PLATE	73172611
H7.1	1,000	HORN	10 - 4/85 -	COUNTERWEIGHT	73175766
K1.5	1,000	POWER RELAY	2 - 3/80 -	ENGINE	
K1.8	1,000	RELAY HUBMAGNET MOTORSTOP	2 - 4/84 -	ENGINE	
K7	1,000	RELAY HORN	10 - 1/34 -	CONTROL PANEL	73174128
K7	1,000	PLUG BASE	10 - 1/34 -	CONTROL PANEL	73174165
K7.1	1,000	RELAY HORN	10 - 2/36 -	CONTROL PANEL	73177354
K7.1	1,000	PLUG BASE	10 - 2/36 -	CONTROL PANEL	73174165
M1	1,000	STARTER	2 - 2/80 -	ENGINE	
M10	1,000	SPEED ADJUSTING ACTUATOR	5 - 6/18 -	ENGINE	
M10	1,000	SOCKET	5 - 6/18 -	ENGINE	73173022
M10	1,000	PIN	5 - 6/18 -	ENGINE	73172626
M10	3,000	BUSHING	5 - 6/18 -	ENGINE	73172627
M10	1,000	CLAMP	5 - 6/18 -	ENGINE	73173023
M10	1,000	HOUSING	5 - 6/18 -	ENGINE	73175397
M2	1,000	FAN	6 - 4/80 -	CAB	
M3	1,000	WINDSCREEN WIPER MOTOR	6 - 2/85 -	CAB	
M4	1,000	W/S WASHER PUMP	6 - 3/80 -	CAB	
R10	1,000	SPEED CONTROL	3 - 2/92 -	SEAT CONSOLE,RH	
R14	1,000	TEMPERATURE PROBE - HYDRAULIC OIL	3 - 7/94 -	SUPERSTRUCTURE	



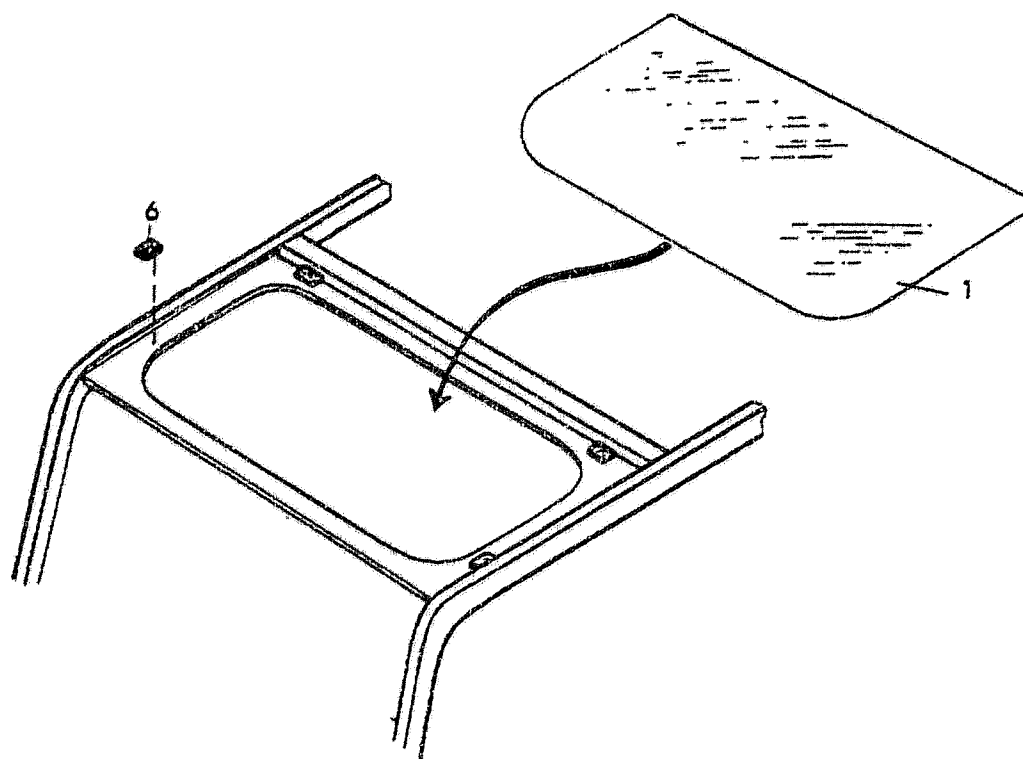
2 496 795.010

Item	Quan.	ME	Part No.	Description
002	1	00	34.101 2444880	PLATFORM PLATE MOUNTING PARTS
003	1	00	34.140 2444887	BRACKET INSTALL.MATERIAL
004	1	00	34.140 2496981	BRACKET INSTALL.MATERIAL
005	1	00	34.130 2496286	CONTROL COLUMN INSTALL.MATERIAL
007	1	00	27.010 2496798	HEATING INSTALL.MATERIAL
011	1	00	20.610 2496797	HYDRAULIC SYSTEM SERVO CONTROL



2 444 880 010

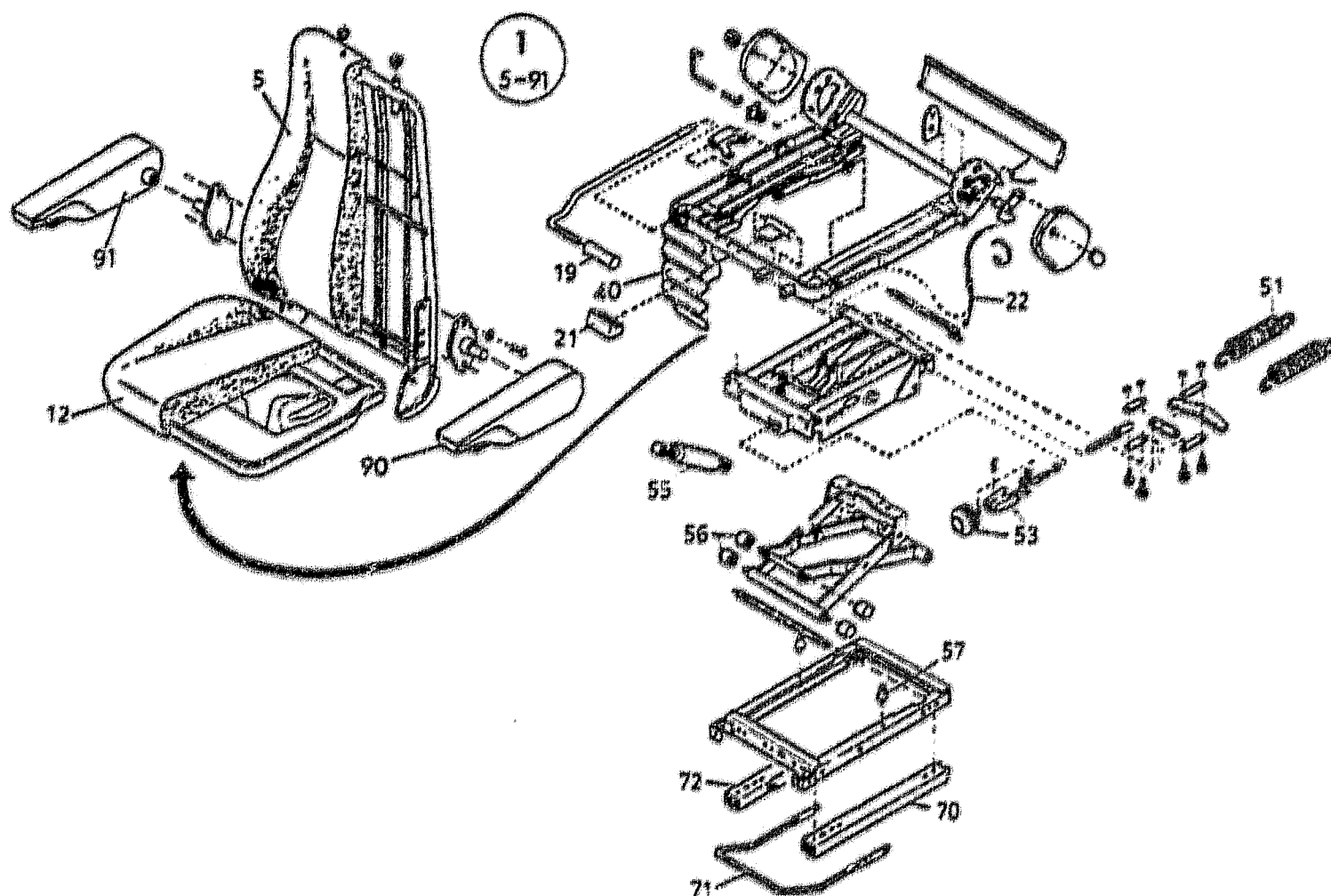
				34.101	
				T 2444880 - 002	
				B 2444880 - 010	
				FX270 / 40301 -	
				34.101	
				PLATFORM PLATE MOUNTING PARTS	
				FIATALLIS	
Item	Quan.	ME	Part No.	Description	
001	1	00	73171195	BRACKET	
002	4	00	73170176	HEXAGON BOLT	
003	2	00	73170100	DISK/WASHER	
004	2	00	73170212	DISK/WASHER	
101	1	00	73171196	LID	
102	1	00	73171197	WALL	
103	1	00	73171198	PAWL	
104	1	00	73171199	LEVER	
105	1	00	73171200	ROLLER	
107	1	00	73171201	LEVER	
108	1	00	73171202	LOCKING BAR	
109	1	00	73171203	ECCENTRIC	
111	1	00	73171204	ROPE	
112	1	00	73171205	CLIP	
113	1	00	73171206	DAMPER	
114	1	00	73171207	HANDLE	
115	0,04	00	73171208	RUBBER HOSE	
118	2	00	73171209	BUMPER	



2 443 232.010

FIATALLIS		CAB ROOF		34.210
FX270 / 40301 -				T 2443232 - 000 B 2443232 - 010
Item	Quan.	ME	Part No.	Description
001	1	00	73171181	PANE
006	0,01	13	73171182	RIBBON

ME: 00 = Stück/piece 13 = m 26 = m² 39 = m³ 43 = kg 50 = l (litre)

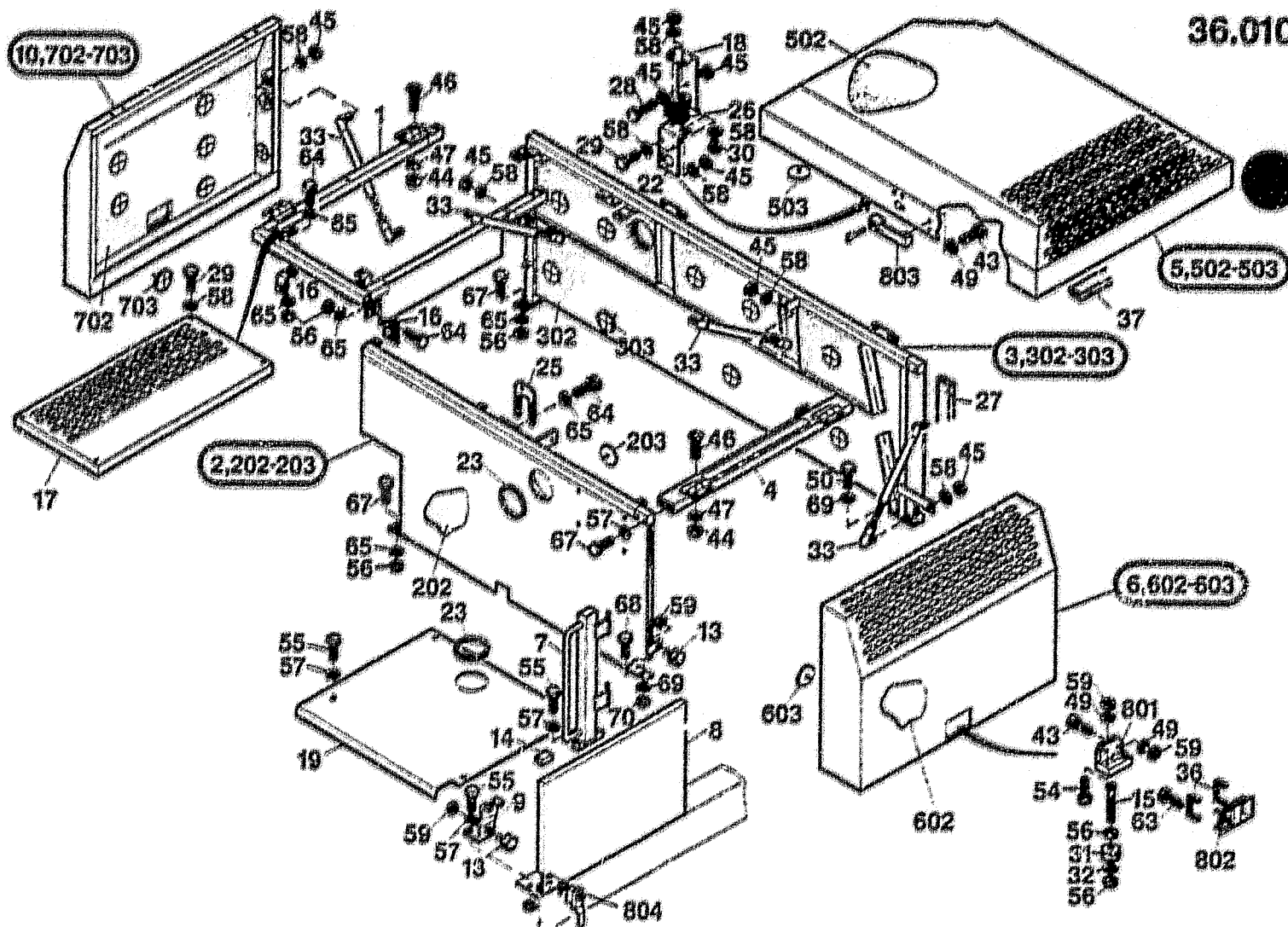


2 444 945 010


				34.502	
		SEAT			
		FX270 (40301 - 40301		T 2444945 - 000 B 2444945 - 010	
Item	Quan.	ME	Part No.	Description	
001	1	00	73171088	OPERATOR'S SEAT	
005	1	00	73171067	BACKREST CUSHION	
012	1	00	73171068	SEAT CUSHION	
019	1	00	73171069	BUTTON	
021	1	00	73171070	HANDLE	
023	1	00	73171071	CONTROL CABLE	
040	1	00	73171072	BELLOWS	
051	2	00	73171073	CONTROL SPRING	
053	1	00	73171074	HAND WHEEL	
055	1	00	73171075	SHOCK ABSORBER	
056	4	00	73171076	IDLER ROLLER	
057	2	00	73171077	BUMPER	
070	1	00	73171078	RAIL	
071	1	00	73171080	STRAP	
072	1	00	73171081	RAIL	
090	1	00	73171083	ARM REST,LEFT	
091	1	00	73171084	ARM REST,RIGHT	

ME: 00=Stuck/piece 13=m 26=m² 39=m³ 43=kg 50=l (litre)

1998-09-11

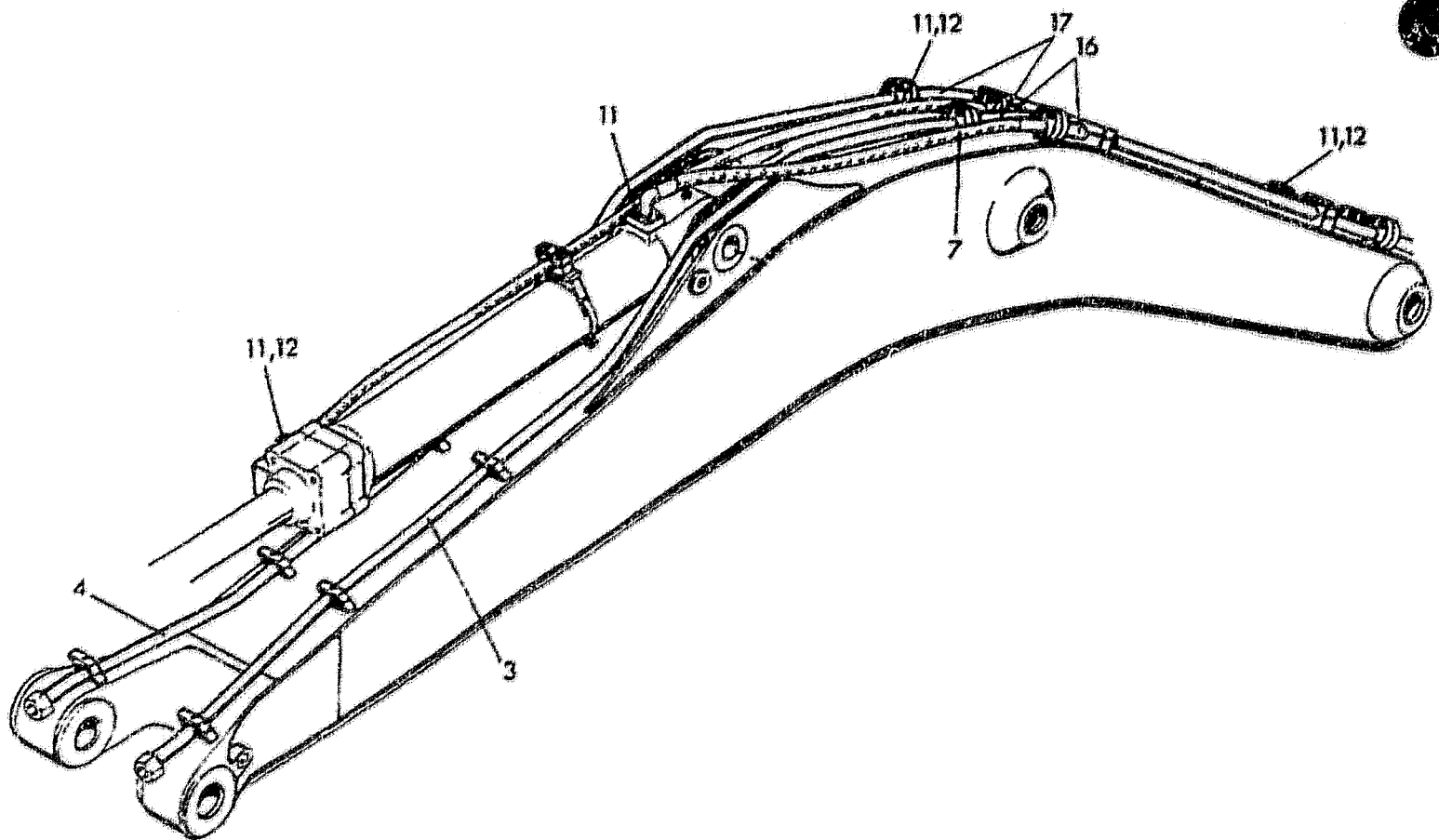


2 495 971 010

				36.010
 PANELING INSTALL.MATERIAL				
FX270 / 40301 -				T 2496971 - 000 B 2496971 - 010
Item	Quan.	ME	Part No.	Description
001	1	00	73175424	FRAME
002	1	00	73175407	FRAME
003	1	00	73175408	FRAME
004	1	00	73175449	STRUT
005	1	00	73175450	BONNET
006	1	00	73175411	DOOR
007	1	00	73175412	PILLAR
008	1	00	73175413	DOOR
009	1	00	73172290	BRACKET
010	1	00	73175425	DOOR
013	7	00	73170811	RUBBER STOP
014	1	00	73175416	SLIDING PIECE
015	2	00	73172287	PIN
016	4	00	73175417	BRACKET
017	1	00	73175451	LID
018	1	00	73170192	STRAP
019	1	00	73175418	COVER
022	1	00	73175452	BRACKET

ME: 00 = Stück/piece 13 = m 26 = m² 39 = m² 43 = kg 50 = l (litre)

1998-09-11



2 444 382.010



HYDRAULIC SYSTEM MONOBLOC BOOM 6,2M

60.160

FX270 / 40301 -

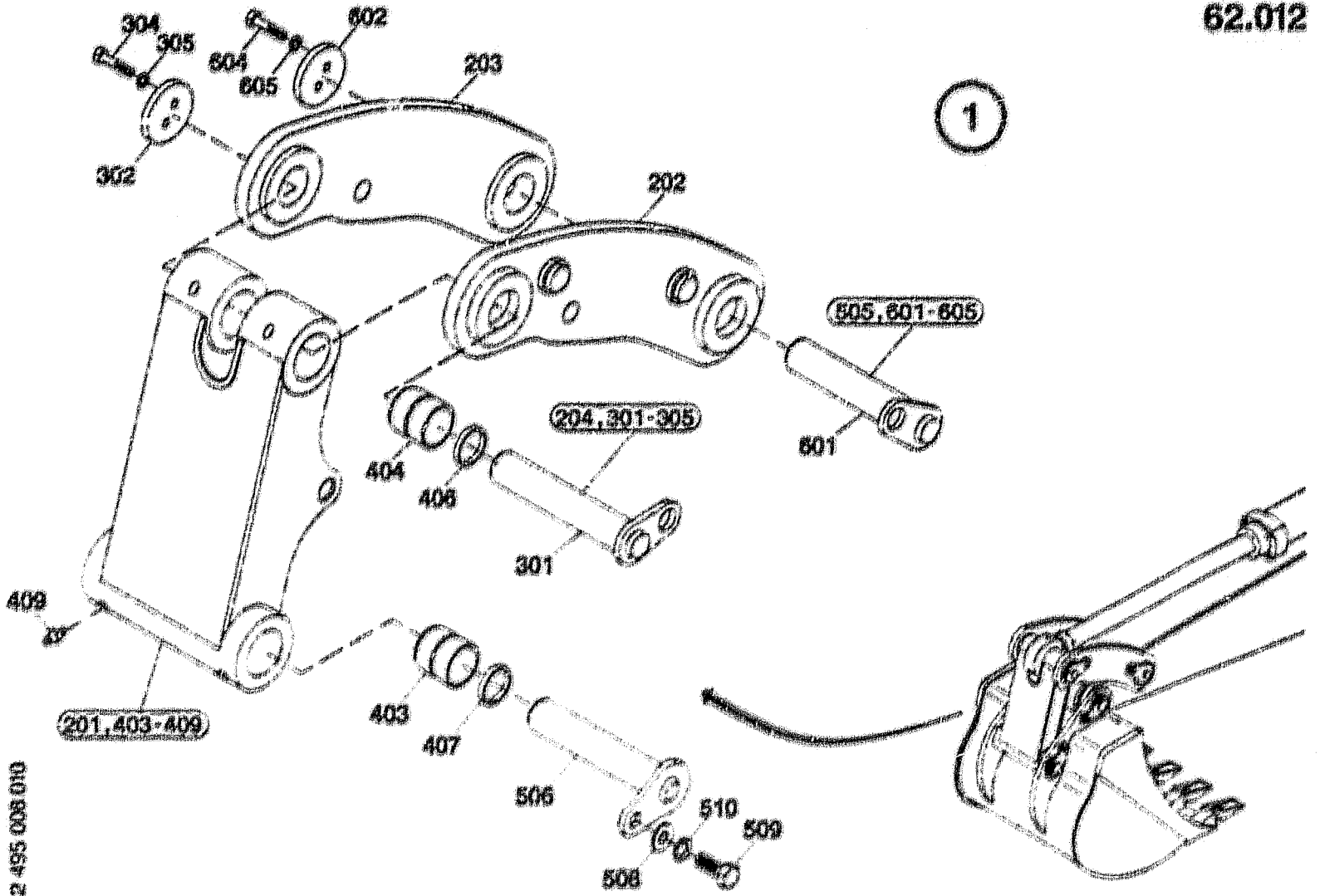
T 2444382 - 000


B 2444382 - 010

Item	Quan.	ME	Part No.	Description
003	1	00	73172055	LINE
004	1	00	73172056	LINE
007	1	00	73172057	HOSE
011	40	00	73170328	12-POINT SCREW
012	11	00	73170327	SEALING RING
016	2	00	73172058	LINE
017	2	00	73172059	LINE

ME: 00 = Stück/piece 13 = m 26 = m² 39 = m³ 43 = kg 50 = l (litre)

1998-09-11



				62.012
 TOGGLE & LINKAGE				T 2495008 - 000
FX270 / 40301 -				B 2495008 - 010
Item	Quan.	ME	Part No.	Description
510	1	00	73170981	LOCK WASHER
601	1	00	73172085	PIN
602	1	00	73172079	LID
604	2	00	73172081	HEXAGON BOLT
605	2	00	73170178	LOCK WASHER



Dictionary / Diccionario / Wörterbuch / Dictionnaire / Dizionario

SURVEY

Machine type

FX270

Machine no.

English	German	Italian	French	Spanish
FILTER	BELUEFTUNGSFILTER	FILTRO VENTILAZ.	FILTRE D.VENTILANT	FILTRO VENTILACION
FILTER	FILTER	FILTRO	FILTRE	FILTRO
FILTER INSERT	FILTEREINSATZ	CARTUCCIA FILTRO	CARTOUCHE D.FILTRE	ELEMENTO DE FILTRO
FLANGED CONNECTION	FLANSCHVERSCHRAUBG	RACCORDO	RACCORD	RACOR
FOOT REST	FUSSSTUETZE	SUPPORTO	REPOSE-PIEDS	REPOSAPIES
FRAME	GESTELL	CULLA	CHASSIS	BASTIDOR
FRAME	RAHMEN	TELAIO	CADRE	BASTIDOR
FUEL LEVEL SENDER	VORRATSGEBER	INDICATORE RISERVA	PUITS DE JAUGE	TRANSM NIVEL ALIME
FUEL LINE	KRAFTSTOFFLEITUNG	TUBAZ CARBUR.	CONDUITE CARBUR.	TUBERIA COMBUST.
FUEL PREFILTER	KRAFTST.VORFILTER	PREFILTRO CARBUR.	PREFILTRE COMBUST.	FILTR.PREV.COMBUS.
FUEL TANK	KRAFTSTOFFTANK	SERBATOIO CARB.	RESERV.CARBURANT	DEPOSITO COMBUST.
FUSE	SICHERUNG	DISPOS SICUREZZA	SECURITE	FUSIBLE
FUSE INSERT	SICHERUNGSEINSATZ	FUSIBILE	CARTOUCHE FUSIBLE	CARTUCHO FUSIBLE
GASKET	DICHTUNG	GIUNTO	JOINT	JUNTA
GASKET SET	DICHTUNG SATZ	GRUPPO DI GIUNTO	JEU DE JOINTS	JUEGO JUNTAS
GASKET SET	DICHTUNG-SATZ	GRUPPO DI GIUNTO	JEU DE JOINTS	JUEGO JUNTAS
GASKET SET	DICHTUNGSSATZ	GRUPPO DI GIUNTO	JEU DE JOINTS	JUEGO JUNTAS
GEAR MOTOR	ZAHNRADMOTOF	MOTORE A INGRANAG.	MOT. ROUES DENTEES	MOTOR RUEDAS DENTA
GEAR PINION	RITZEL	PIGNONE	PIGNON	PINON
GEARED PUMP	ZAHNRADPUMPE	POMPA A INGRANAGGI	POMPE A ENGRENAGES	BOMBA D.ENGRANAJES
GENERAL	ALLGEMEIN	GENERALE	GENERAL	GENERAL
GLAZING	VERGLASUNG	VETRAGGIO	VITRAGE	ACRISTALDO
GLYD RING	GLYD-RING	ANELLO SCORREVOLE	GARN. ANNEAU GLISS	ANILLO DESLIZAMTO.
GRAESE GUN	SCHMIERPRESSE	PRESSA PER GRASSO	PRESSE D.GRAISSAGE	BOMBA DE ENGRASE
GREASE CARTRIDGE	FETTPATRONE	BUSSOLA INGRASS.	CARTOUCHE GRAISSE	CARTUCHO DE GRASA
GREASE FILLING	FETTFUELLUNG	RIFORM. GRASSO	REPLISS.GRAISSE	CONT. GRASA
GREASE GUN	FETTPRESSE	POMPA LUBRIFICANTE	POMPE A GRAISSE	BOMBA DE ENGRASE
GREASE NIPPLE	SCHMIERNIPPEL	NIPPLO INGRASS.	GRAISSEUR	ENGRASADOR
GREASING SYSTEM	SCHMIERANLAGE	DISP.INGRASSAGIO	INST.DE GRAISSAGE	INST.LUBRIFICACION
GRID	GITTER	GRIGLIA	GRILLE	REGILLA
GROOVE BALL BEAR.	RILLENKUGELLAGER	CUSC.SFERE GOLA PR	ROUL.BILLES RAIN.	ROD RANURADO BOLAS
GROOVED RING	NUTRING	ANELLO SCANALATO	JOINT A GORGE	ANILLO RANURADO
GRUB SCREW	GEWINDESTIFT	VITE DI ARRESTO	TIGE FILETEE	ESPARRAGO
GUARD GRID	SCHUTZGITTER	GRIGLIA PROTEZIONE	GRILLE PROTECT.	REJILLA PROTECCION
GUIDE	FUEHRUNG	GUIDA	GUIDE	GUIDA
GUIDE WHEEL	LEITRAD	RUOTA DI GUIDA	ROUE FOLLE	RUEDA GUIA
HAND WHEEL	HANDRAD	VOLANTINO A MANO	VOLANT	RUEDA DE MANIOBRA
HANDLE	GRIFF	MANIGLIA	POIGNEE	MANGO
HEAT EXCHANGER	WAERMETAUSCHER	SCAMBIATORE CALORE	ECHANGEUR DE CHALE	INTERCAMBI TERMICO
HEATER	HEIZGERAET	RISCALDAMENTO	RADIATEUR	APARATO DE CALEF.
HEATING	HEIZUNG	RISCALDAMENTO	CHAUFFAGE	CALEFACCION
HEXAGON BOLT	6KT-SCHRB	VITE TESTA ESAGON.	VIS TETE HEXAGONAL	TORN.DE CABE.EXAG.
HEXAGON NUT	6KT-MUTTER	DADO ESAGONALE	ECROU HEXAGONAL	TUERCA EXAGONAL
HIGH PRESSURE	HOCHDRUCK	ALTA PRESSIONE	HAUTE PRESSION	ALTA PRESION
HINGE	SCHARNIER	CERNIERA	CHARNIERE	BISAGRA
HOLLOW SCREW	HOHLSCHRAUBE	VITE CAVA	VIS CREUSE	TORNILLO HUECO
HOLLOW WHEEL	HOHLRAD	RUOTA CAVA	PIGNON A DENT.INTE	RUEDA DENTADA INT.
HOOK	HAKEN	GANCIO	CROCHET	GANCHO
HORN	HORN	TROMBA	KLAXON	BOCINA
HOSE	SCHLAUCH	TUBO FLESSIBILE	DURITE	MANGUERA
HOSE	SCHLAUCHLEITUNG	FLESSIBILE	FLEXIBLE	TUBO FLEXIBLE
HOSE CLAMP	KLEMMHAELFTENPAAR	COPPIA SEMI-FASCET	CO.SERR.FLEXIBLES	MANGUERA
HOS. CLIP	SCHLAUCHSCHELLE	FASCETTA PER TUBI	COLLIER DE SERRAGE	ABRAZADER.MANGUERA
HOUSING	GEHAUSE	CARTER	BOITIER	CARCASA
HUB	NABE	MOZZO	MOYEU	CUBO
HYD. OIL TANK	HYDRAULIKTANK	SERBAT.OLIO IDRAUL	RESERVOIR HYDR.	DEPOSITO HIDR.
HYDRAULIC MOTOR	HYDRAULIKMOTOR	MOTORE IDRAULICO	MOTEUR HYDRAULIQUE	MOTOR HIDRAULICO
HYDRAULIC SYSTEM	HYDRAULIKANLAGE	SISTEMA IDRAULICO	SYSTEM.HIDRAULIQUE	SISTEMA HIDRAULICO
I.CIRCUIT DIAGRAMM	ZUM STROMLAUFPLAN	NEL.SCHE.ELECTRICO	D.LSCH .D.CONNEX.	E.E.PLA.D.CIRCUITO
IDLER ROLLER	LAUFROLLE	ROTELLA PORTANTE	GALET DE ROULEMENT	RODILLO
INDICATOR PLATE	HI.-SCHILD	TARGA INDICAT.	PLAQUE INDICATRICE	ROTULO INDICADOR
INJECTOR	DUESE	UGELLO	INJECTEUR	INYECTOR
INNEN ZAHNRAD-	INNEN ZAHNRAD-	INNEN ZAHNRAD-	INNEN ZAHNRAD-	INNEN ZAHNRAD-

CLICK HERE TO **DOWNLOAD** THE COMPLETE MANUAL

- Thank you very much for reading the preview of the manual.
- You can download the complete manual from: www.heydownloads.com by clicking the link below



- Please note: If there is no response to CLICKING the link, please download this PDF first and then click on it.

CLICK HERE TO **DOWNLOAD** THE COMPLETE MANUAL