

AVOID ACCIDENTS

Most accidents, whether they occur in industry, on the farm, at home or on the highway, are caused by the failure of some individuals to follow simple and fundamental safety rules or precautions. For this reason **MOST ACCIDENTS CAN BE PREVENTED** by recognizing the real cause and doing something about it before the accident occurs. Regardless of the care used in the design and construction of any type of equipment there are conditions that cannot be completely safeguarded against without interfering with reasonable accessibility and efficient operation.

Carefully read instructions, cautions and safety warning quoted in the "**SAFETY RULES**" section.

A careful operator is the best insurance against an accident. The complete observance of one simple rule would prevent many thousand serious injuries each year.

The rule is:

Never attempt to clean, oil or adjust a machine while it is in motion.

WARNING

On machines having hydraulically, or mechanically, controlled equipment be certain the equipment is lowered to the ground before servicing, adjusting and/or repairing. If it is necessary to have the controlled equipment partially or fully raised to gain access to certain items, be sure the equipment is suitably supported by means of proper devices other than those used for controlling the equipment.

CALIFORNIA

Proposition 65 Warning

Diesel engine exhaust and some of its constituents are known to the State of California to cause cancer, birth defects, and other reproductive harm.

COPYRIGHT BY FIATALLIS

All rights reserved. Reproduction of text and illustrations in whole or in part, is strictly prohibited.

73177708 ISSUE 1 SEPTEMBER 1998

CLICK HERE TO **DOWNLOAD** THE COMPLETE MANUAL

- Thank you very much for reading the preview of the manual.
- You can download the complete manual from: www.heydownloads.com by clicking the link below



- Please note: If there is no response to CLICKING the link, please download this PDF first and then click on it.

CLICK HERE TO **DOWNLOAD** THE COMPLETE MANUAL



Table of contents

SURVEY

Machine type

FX240

Machine no.

No. of assembly	Description
23.182 - 2141196	CONTROL VALVE
23.182 - 2141045	CONTROL VALVE
23.181 - 2249964	CONTROL VALVE MOUNTING PARTS
17.102 - 2496862	COUPLING/CLUTCH
17.100 - 2496834	COUPLING/CLUTCH INSTALL.MATERIAL
36.512 - 1908542	COVER SWING BEARING
36.510 - 2141120	COVER SWING BEARING INSTALL.MATERIAL
36.540 - 2283122	COVER TRAVEL GEAR
36.500 - 2782288	COVER UPPER CARRIAGE
06.010 - 2283892	CRAWLER CHASSIS INSTALL.MATERIAL
31.600 - 2496982	DASHBOARD INSTALL.MATERIAL
91.010 - 2782884	DECAL KIT
91.010 - 2496972	DECAL KIT
22.402 - 1908428	DISTRIBUTOR
22.400 - 2283892	DISTRIBUTOR INSTALL.MATERIAL
22.020 - 2496869	DOUBLEPUMP
06.102 - 2443749	DRIVING CHAIN
31.050 - 2459344	ELECTRICAL COMPON. I.CIRCUIT DIAGRAMM
32.999 - 2782749	ELECTRICAL SYSTEM ADDITION OTHER
13.220 - 2496826	EXHAUST SYSTEM INSTALL.MATERIAL
22.202 - 2248164	FILTER
22.200 - 2283804	FILTER INSTALL.MATERIAL
22.200 - 2283755	FILTER INSTALL.MATERIAL
22.200 - 2283804	FILTER INSTALL.MATERIAL
34.105 - 2495303	FOOT REST PLATFORM
01.300 - 2496779	FRAME UPPER CARRIAGE WITH MOUNT. PARTS
01.300 - 2496963	FRAME UPPER CARRIAGE WITH MOUNT. PARTS
13.310 - 2496825	FUEL LINE
10.201 - 2782330	FUEL TANK MOUNTING PARTS
22.130 - 2782953	GEAR MOTOR
22.052 - 2496863	GEARED PUMP
22.052 - 2496865	GEARED PUMP
22.050 - 2496839	GEARED PUMP INSTALL.MATERIAL
22.050 - 2496840	GEARED PUMP INSTALL.MATERIAL
34.230 - 2495010	GLAZING OPERATOR'S CAB
34.230 - 2444012	GLAZING OPERATOR'S CAB
34.230 - 2495011	GLAZING OPERATOR'S CAB
30.200 - 2443074	GREASING SYSTEM MONO
30.020 - 2496974	GREASING SYSTEM SWIVEL CONNECTION
06.162 - 2444105	GUIDE WHEEL
06.160 - 2444106	GUIDE WHEEL INSTALL.MATERIAL
27.012 - 2496799	HEATING
27.010 - 2496798	HEATING INSTALL.MATERIAL
10.101 - 2496784	HYD. OIL TANK MOUNTING PARTS



Cross reference

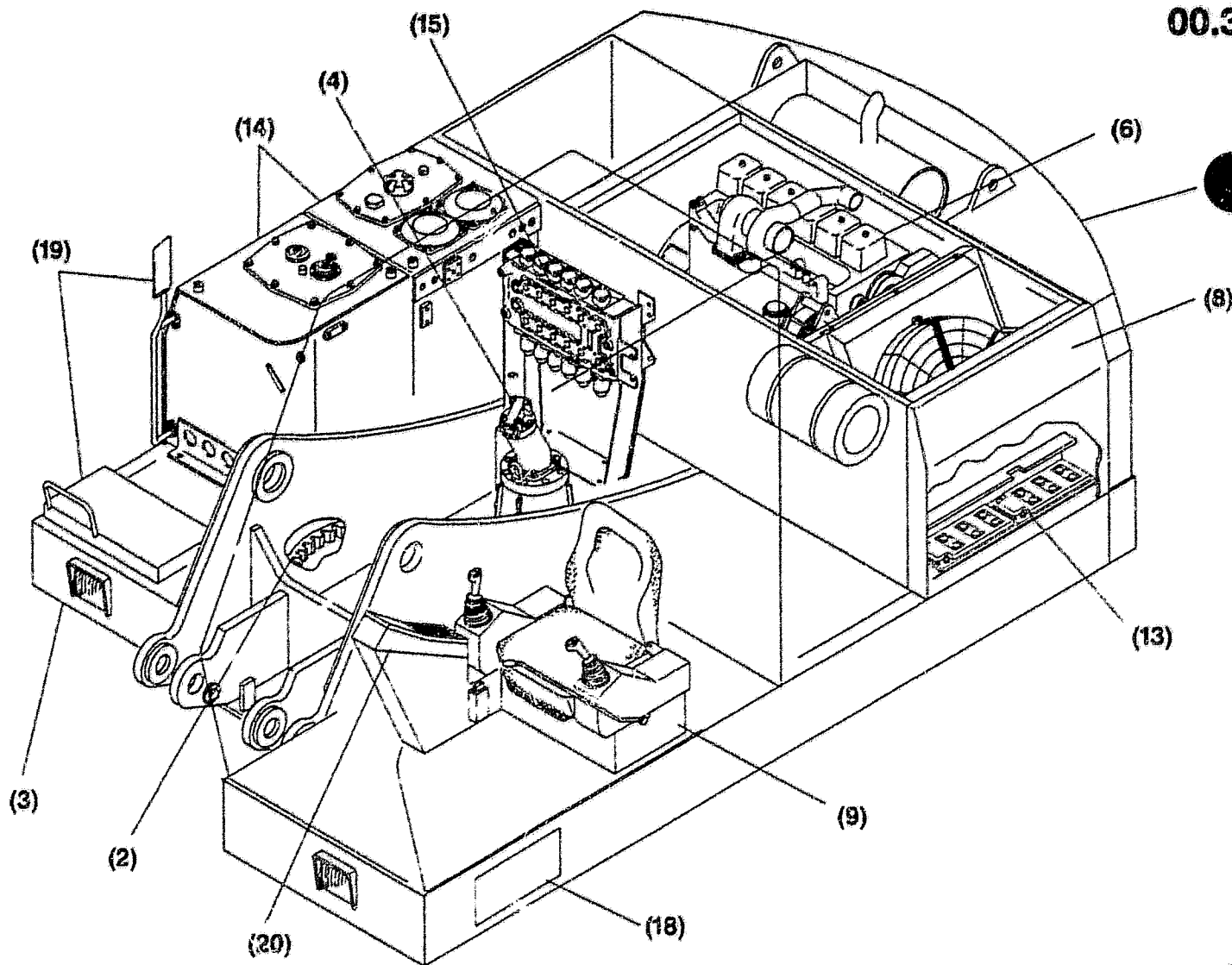
SURVEY		Machine type		FX240	Machine no.	
Part No.	No. of assembly	Item	Part No.	No. of assembly	Item	
73170327	20.310 - 2496949	015	73170383	20.280 - 2783387	023	
73170327	20.320 - 2496950	015	73170383	23.050 - 2495629	005	
73170327	20.320 - 2783384	015	73170383	23.210 - 2782613	005	
73170327	20.600 - 2284417	009	73170391	20.020 - 2283123	011	
73170327	20.600 - 2284422	007	73170392	20.610 - 2496797	060	
73170327	23.611 - 2248584	008	73170392	20.642 - 2495382	008	
73170327	60.160 - 2444381	012	73170392	23.240 - 2495251	008	
73170327	61.032 - 2496883	007	73170393	20.020 - 2283123	012	
73170328	20.310 - 2496949	016	73170393	23.611 - 2496952	029	
73170328	20.600 - 2284417	010	73170415	23.241 - 2495250	014	
73170328	20.600 - 2284422	008	73170415	23.241 - 2783333	014	
73170328	23.611 - 2248584	007	73170416	23.241 - 2495250	016	
73170328	60.160 - 2444381	011	73170416	23.241 - 2783333	016	
73170328	61.032 - 2496883	006	73170436	23.212 - 2444920	170	
73170331	22.502 - 2443410	004	73170440	34.022 - 2444904	122	
73170332	22.502 - 2443410	005	73170457	23.240 - 2495251	011	
73170333	22.502 - 2443410	006	73170457	23.240 - 2783334	011	
73170334	22.502 - 2443410	011	73170459	22.020 - 2496869	228	
73170335	22.502 - 2443410	012	73170459	22.030 - 2496932	032	
73170336	22.502 - 2443410	013	73170459	22.030 - 2783392	032	
73170341	20.020 - 2283123	014	73170459	23.292 - 2496572	022	
73170341	20.310 - 2496949	012	73170470	20.320 - 2496950	042	
73170341	20.600 - 2284417	011	73170470	20.320 - 2783384	042	
73170341	20.600 - 2284422	011	73170473	20.020 - 2283123	009	
73170341	61.032 - 2496883	013	73170473	20.320 - 2496950	048	
73170342	20.020 - 2283123	015	73170473	20.320 - 2783384	048	
73170342	20.310 - 2496949	013	73170489	20.280 - 2496836	022	
73170342	20.320 - 2496950	043	73170489	20.280 - 2783387	022	
73170342	20.320 - 2783384	043	73170489	23.611 - 2496952	002	
73170342	20.600 - 2284417	012	73170492	23.312 - 2216823	001	
73170342	20.600 - 2284422	012	73170493	23.312 - 2216823	101	
73170342	61.032 - 2496883	016	73170494	22.030 - 2783392	374	
73170346	20.320 - 2496950	040	73170494	23.212 - 2444920	033	
73170346	20.320 - 2783384	040	73170496	22.020 - 2496869	111	
73170359	10.201 - 2782330	016	73170496	22.020 - 2496869	224	
73170359	16.032 - 2496807	345	73170496	22.020 - 2496869	225	
73170359	22.020 - 2496869	024	73170496	22.030 - 2496932	326	
73170359	22.020 - 2496869	229	73170496	22.030 - 2783392	326	
73170359	22.030 - 2496932	021	73170496	23.232 - 1998158	004	
73170359	22.030 - 2783392	021	73170496	23.232 - 2249696	013	
73170359	23.612 - 2495805	028	73170496	23.302 - 2283592	026	
73170362	20.320 - 2496950	058	73170500	23.232 - 2495293	001	
73170362	20.320 - 2783384	058	73170501	23.232 - 2495293	002	
73170380	16.032 - 2496807	344	73170502	23.232 - 2495293	003	
73170380	20.020 - 2283123	010	73170503	23.232 - 2495293	004	
73170380	20.280 - 2496836	020	73170508	23.612 - 2495805	304	
73170380	20.280 - 2783387	020	73170508	23.612 - 2495805	404	
73170380	23.270 - 2496959	003	73170508	23.612 - 2495805	505	
73170380	23.270 - 2496571	003	73170510	23.240 - 2495251	005	
73170380	23.280 - 2496973	003	73170510	23.240 - 2783334	005	
73170382	20.280 - 2496836	021	73170510	23.611 - 2496952	026	
73170382	20.280 - 2783387	021	73170523	23.182 - 2141196	001	
73170383	20.280 - 2496836	023	73170524	23.182 - 2141196	002	



Cross reference

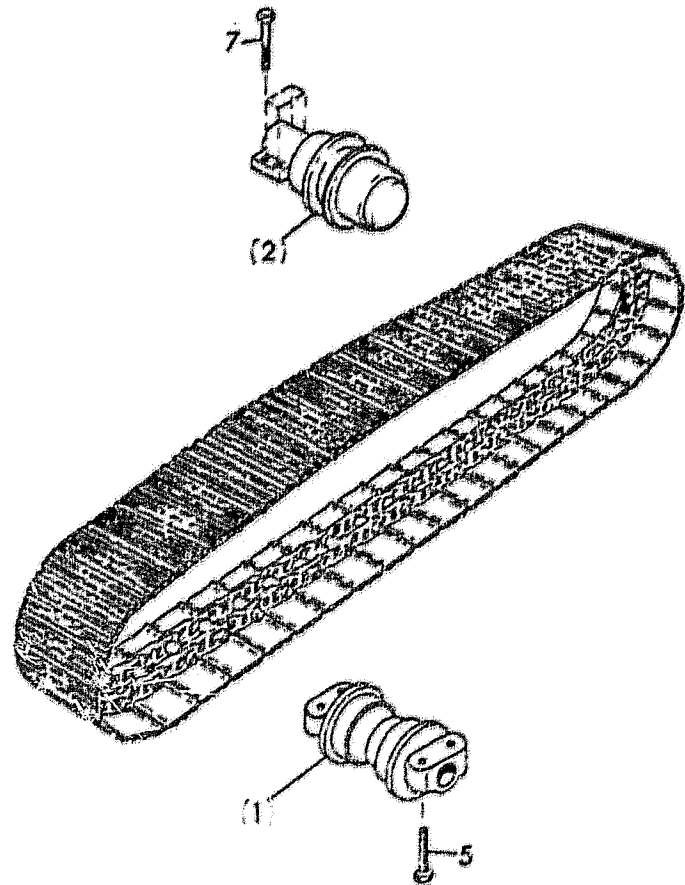
SURVEY			Machine type	FX240	Machine no.		
Part No.	No. of assembly		Item	Part No.	No. of assembly		Item
73172062	62.012 -	2495008	403	73172116	06.162 -	2444105	010
73172063	61.010 -	2444509	103	73172117	06.162 -	2444105	026
73172064	61.010 -	2444509	104	73172118	06.180 -	2283696	001
73172064	62.012 -	2495008	407	73172119	06.180 -	2283696	010
73172065	61.010 -	2444509	106	73172120	06.180 -	2283696	011
73172066	61.032 -	2496883	002	73172121	06.180 -	2283696	012
73172067	61.032 -	2496883	003	73172122	06.200 -	2444104	001
73172068	61.032 -	2496883	017	73172123	06.200 -	2444104	016
73172069	61.032 -	2496883	018	73172124	06.200 -	2444104	017
73172070	61.032 -	2496883	019	73172125	06.200 -	2444104	018
73172071	61.032 -	2496883	751	73172126	06.200 -	2444104	019
73172072	61.032 -	2496883	800	73172127	06.200 -	2444104	020
73172073	62.012 -	2495008	001	73172128	06.200 -	2444104	021
73172074	62.012 -	2495008	201	73172129	06.200 -	2444104	022
73172075	62.012 -	2495008	202	73172130	06.200 -	2444104	023
73172076	62.012 -	2495008	203	73172131	11.010 -	2443284	002
73172077	62.012 -	2495008	204	73172134	13.011 -	2496824	025
73172078	62.012 -	2495008	301	73172134	13.011 -	2783388	025
73172079	62.012 -	2495008	302	73172135	16.021 -	2495439	002
73172079	62.012 -	2495008	602	73172136	17.102 -	2496862	001
73172081	62.012 -	2495008	304	73172137	20.260 -	2496837	201
73172081	62.012 -	2495008	604	73172140	20.260 -	2496837	006
73172082	62.012 -	2495008	404	73172141	20.260 -	2496837	007
73172083	62.012 -	2495008	406	73172142	22.010 -	2496838	001
73172084	62.012 -	2495008	505	73172143	22.020 -	2496869	001
73172085	62.012 -	2495008	601	73172144	22.100 -	2495016	001
73172086	62.012 -	2495008	506	73172145	22.120 -	2495017	001
73172087	62.210 -	2284706	001	73172146	24.022 -	2443007	001
73172091	06.102 -	2443749	001	73172147	24.022 -	2443007	003
73172092	06.102 -	2443749	101	73172148	24.022 -	2443007	004
73172093	06.102 -	2443749	102	73172150	30.200 -	2443074	004
73172094	06.102 -	2443749	103	73172151	30.200 -	2443074	401
73172095	06.102 -	2443749	104	73172152	30.200 -	2443074	402
73172096	06.102 -	2443749	401	73172192	60.150 -	2444397	033
73172097	06.102 -	2443749	402	73172193	60.160 -	2444381	033
73172098	06.102 -	2443749	403	73172194	60.160 -	2444381	004
73172099	06.102 -	2443749	404	73172195	60.160 -	2444381	016
73172100	06.102 -	2443749	405	73172245	19.400 -	2496811	306
73172101	06.102 -	2443749	406	73172246	19.400 -	2496811	305
73172102	06.102 -	2443749	407	73172250	22.020 -	2496869	020
73172103	06.102 -	2443749	408	73172287	36.010 -	2496971	015
73172104	06.160 -	2444106	001	73172288	36.010 -	2496971	031
73172105	06.160 -	2444106	011	73172290	36.010 -	2496971	009
73172106	06.160 -	2444106	013	73172321	20.310 -	2496949	045
73172107	06.160 -	2444106	014	73172358	22.110 -	2496812	015
73172108	06.160 -	2444106	015	73172360	22.020 -	2496869	112
73172109	06.162 -	2444105	001	73172360	23.292 -	2496572	010
73172110	06.162 -	2444105	002	73172367	22.030 -	2783392	523
73172111	06.162 -	2444105	003	73172447	22.020 -	2496869	028
73172112	06.162 -	2444105	004	73172450	22.020 -	2496869	231
73172113	06.162 -	2444105	025	73172451	22.020 -	2496869	266
73172114	06.162 -	2444105	006	73172452	22.020 -	2496869	269
73172115	06.162 -	2444105	009	73172457	22.030 -	2496932	023

00.300




2 496 536 010

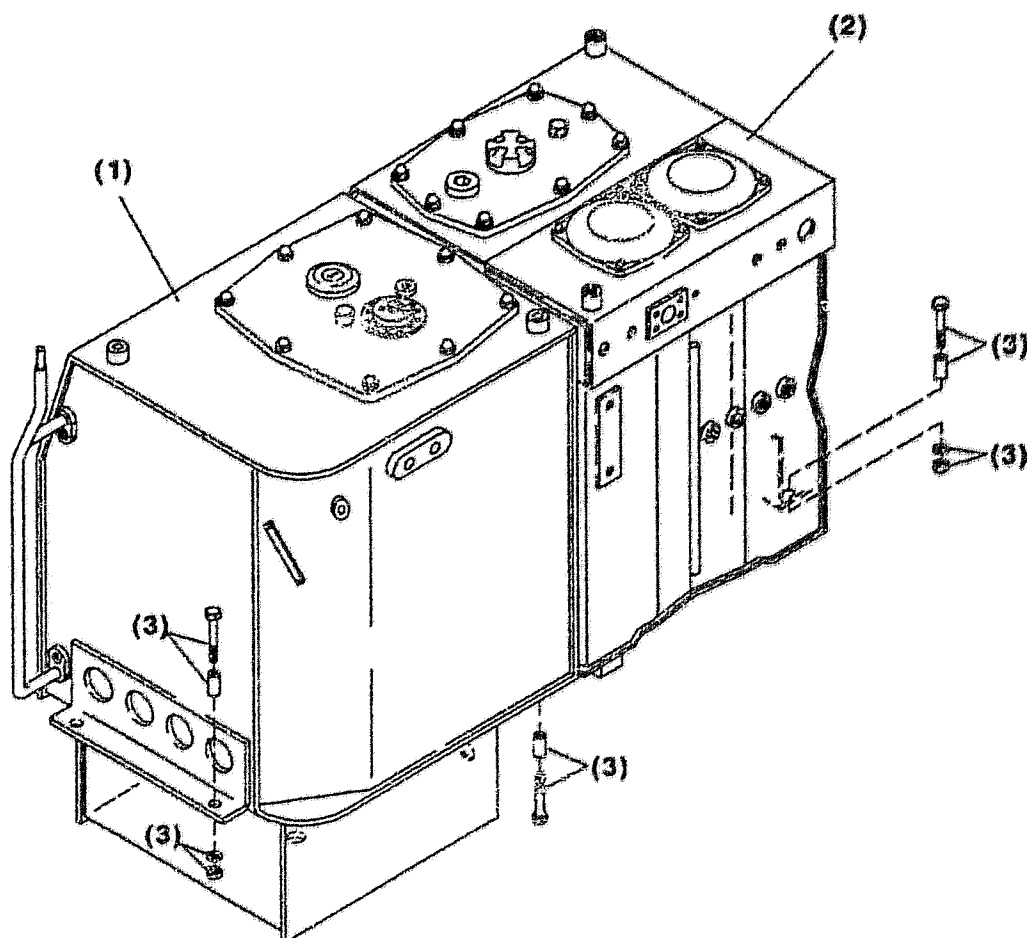
		UPPER CARRIAGE EXCAVATOR			00.300
		FIATALLIS			T 2496536 - 002 B 2496536 - 010
		FX240 / 227101 - 227105			
Item	Quan.	ME	Part No.	Description	
019	1	00		92.010 2782496	TOOL SET
020	1	00		31.050 2459344	ELECTRICAL COMPON. I.CIRCUIT DIAGRAM



2 283 692.010

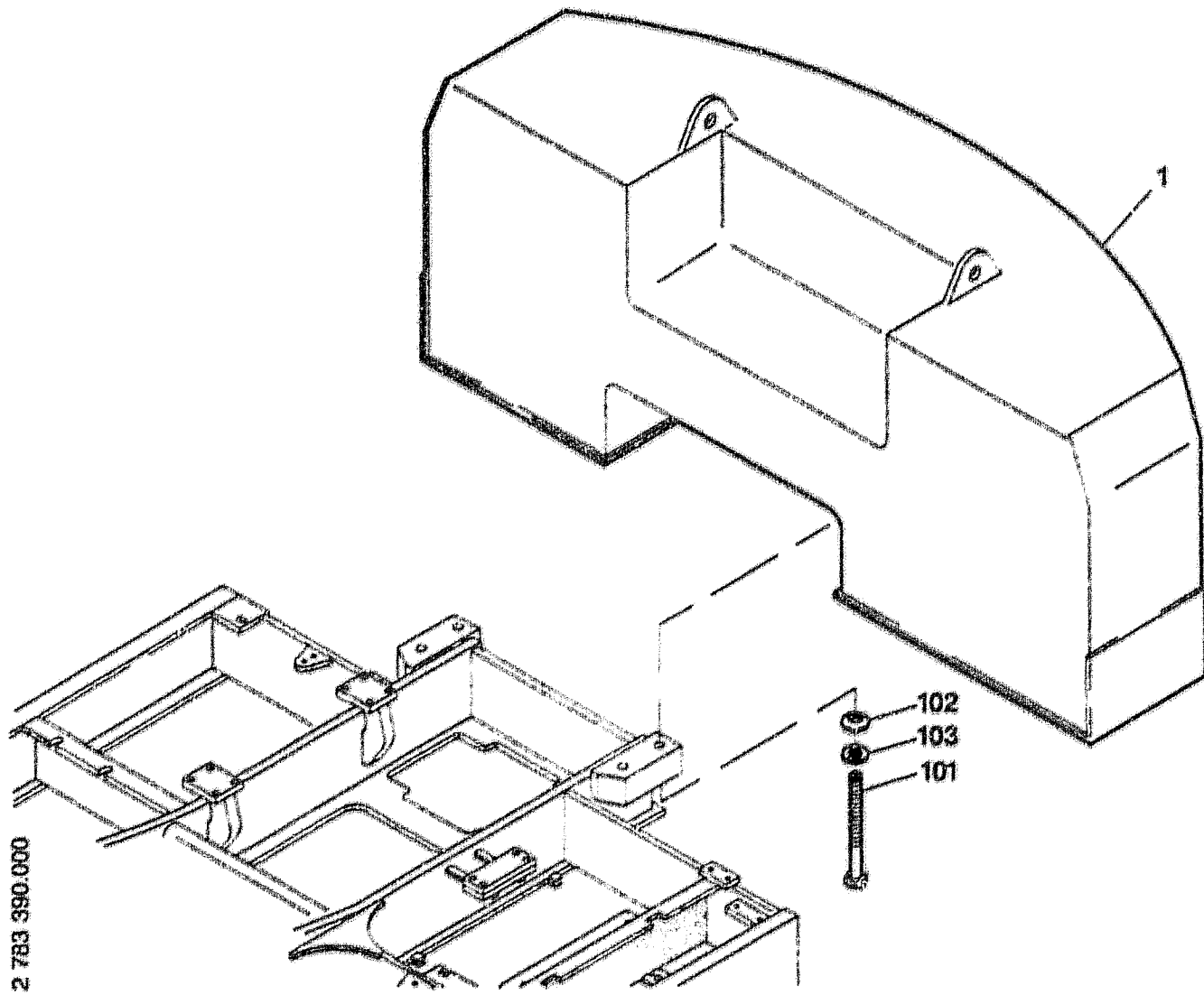
 CRAWLER CHASSIS INSTALL.MATERIAL. 06.010				
FX240 / 227101 -				
Item	Quan.	ME	Part No.	Description
001	8	00		06.150 2283022 IDLER ROLLER
002	2	00		06.180 2283692 SUPPORT ROLLER
005	32	00	73171578	HEXAGON BOLT
007	8	00	73171580	HEXAGON BOLT


T 2283682 - 000
B 2283692 - 010

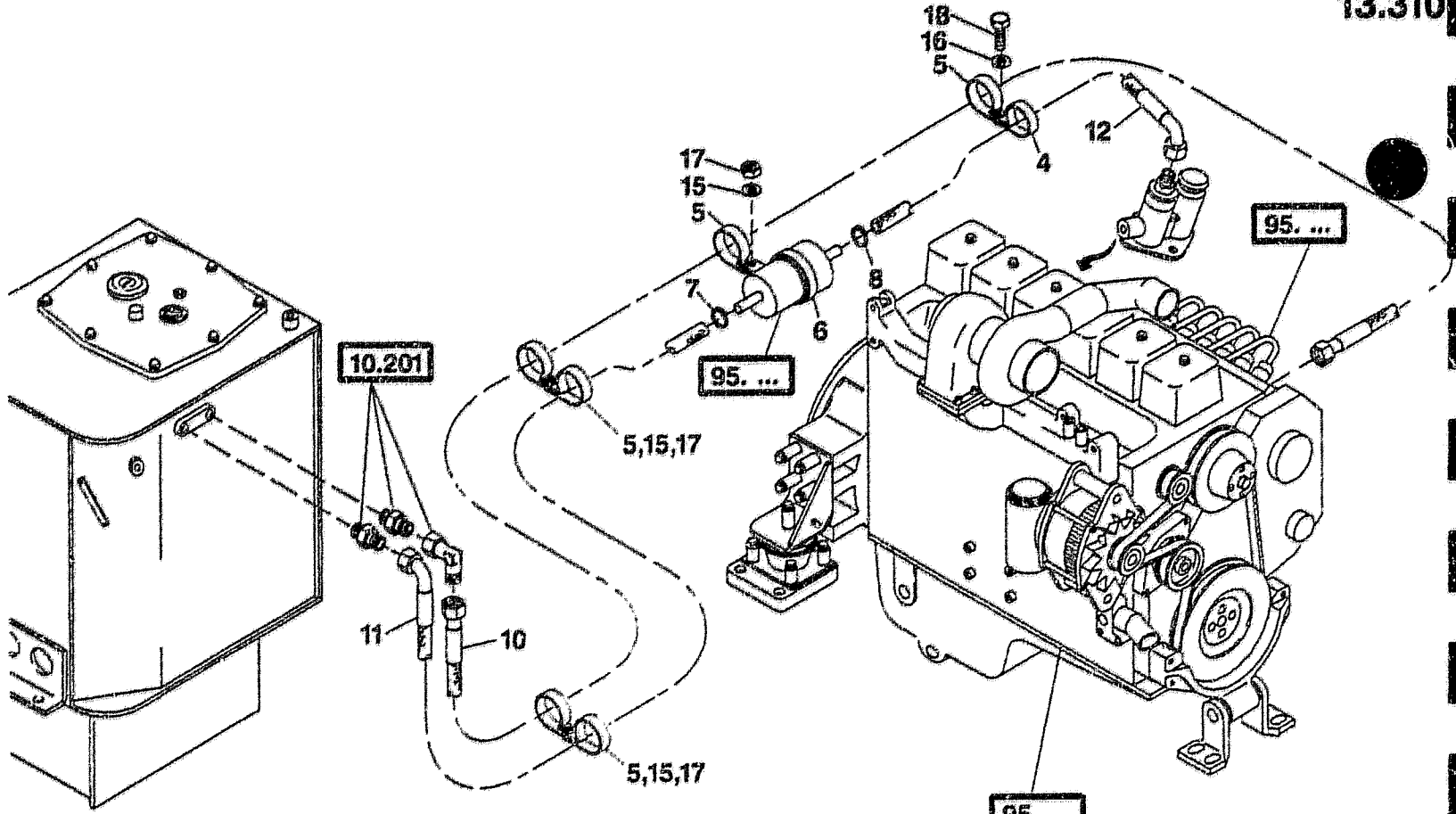


2 496 783.010

			CONTAINER INSTALL.MATERIAL		10.010
			FX240 / 227101 -		T 2496783 - 000 B 2496783 - 010
Item	Quan.	ME	Part No.	Description	
001	1	00	10.201 2782330	FUEL TANK MOUNTING PARTS	
002	1	00	10.101 2496784	HYD. OIL TANK MOUNTING PARTS	
003	1	00	10.010 2444764	CONTAINER INSTALL.MATERIAL	

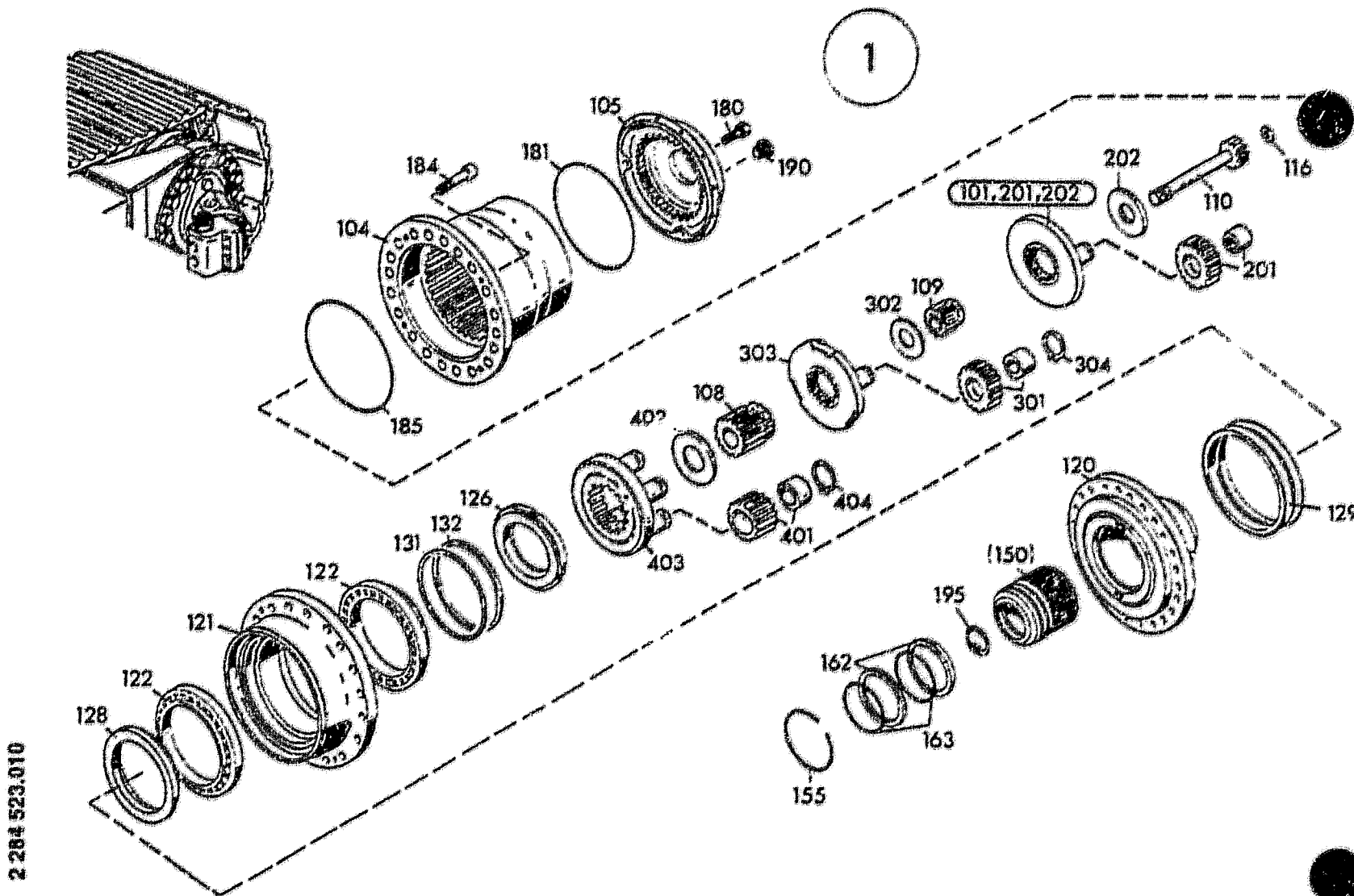


				12.010
BALLAST INSTALL.MATERIAL				T 2783390 - 001
FX240 / 227106 -				B 2783390 - 000
Item	Quan.	ME	Part No.	Description
001	1	00	73177446	BALLAST
101	4	00	73171671	HEXAGON BOLT
102	4	00	73171672	BALL SOCKET
103	4	00	73171674	DISK/WASHER

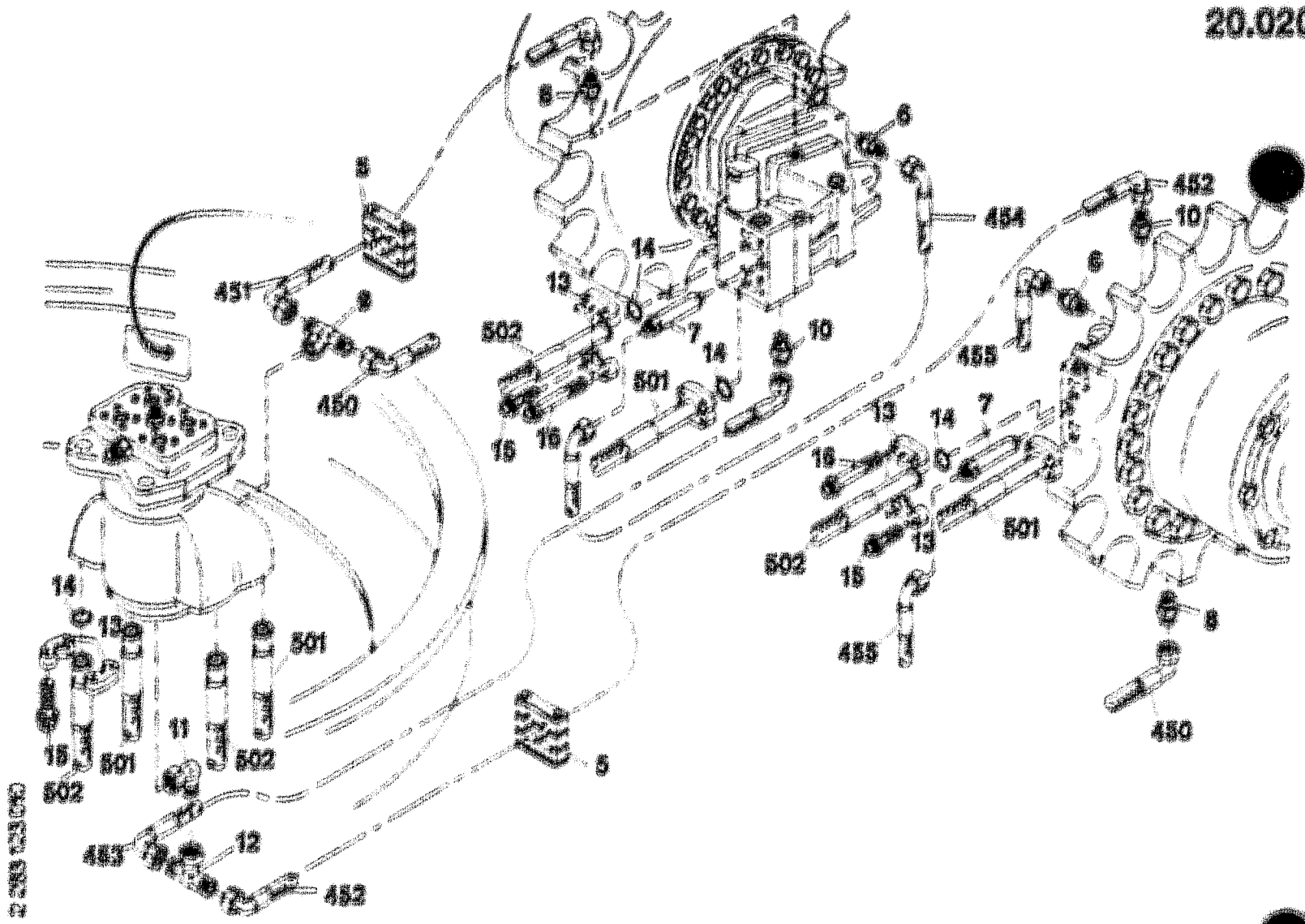


2 496 825-010

				13.310	
		FUEL LINE			
		FX240 / 227101 -		T 2496825 - 000 B 2496825 - 010	
Item	Quan.	ME	Part No.	Description	
004	1	00	73175276	CLIP	
005	6	00	73170687	HOSE CLIP	
006	1	00	73175212	HOSE CLIP	
007	2	00	73175352	CLIP	
008	1	00	73175254	HOSE CLIP	
010	1	00	73175353	HOSE	
011	1	00	73175354	HOSE	
012	1	00	73175355	HOSE	
015	3	00	73170185	DISK/WASHER	
016	1	00	73170160	DISK/WASHER	
017	3	00	73170184	HEXAGON NUT	
018	1	00	73170176	HEXAGON BOLT	



				16.022	
		TRAVEL GEAR COMPLETE			
		FX240 / 227101 -		T 2284523 - 001 B 2284523 - 010	
Item	Quan.	ME	Part No.	Description	
402	1	00	73171739	DISKWASHER	
403	1	00	73171740	PLANETARY CARRIER	
404	5	00	73170059	CIRCLIP	



				20.020
				T 2283123 - 002 B 2283123 - 010
				FX240 / 227101 - 000000
Item	Quan.	ME	Part No.	Description
005	4	00	73171754	CLIP
006	2	00	73170298	SOCKET
007	2	00	73171755	SOCKET
008	3	00	73170298	SOCKET
009	1	00	73170473	SOCKET
010	2	00	73170380	SOCKET
011	1	00	73170391	SOCKET
012	1	00	73170393	SOCKET
013	16	00	73171758	SAE-FLANGE HALF
014	8	00	73170341	SEALING RING
015	20	00	73170342	12-POINT SCREW
016	12	00	73171497	12-POINT SCREW
450	1	00	73171757	HOSE
451	1	00	73171758	HOSE
452	1	00	73171759	HOSE
453	1	00	73171760	HOSE
454	1	00	73171761	HOSE
455	1	00	73171762	HOSE

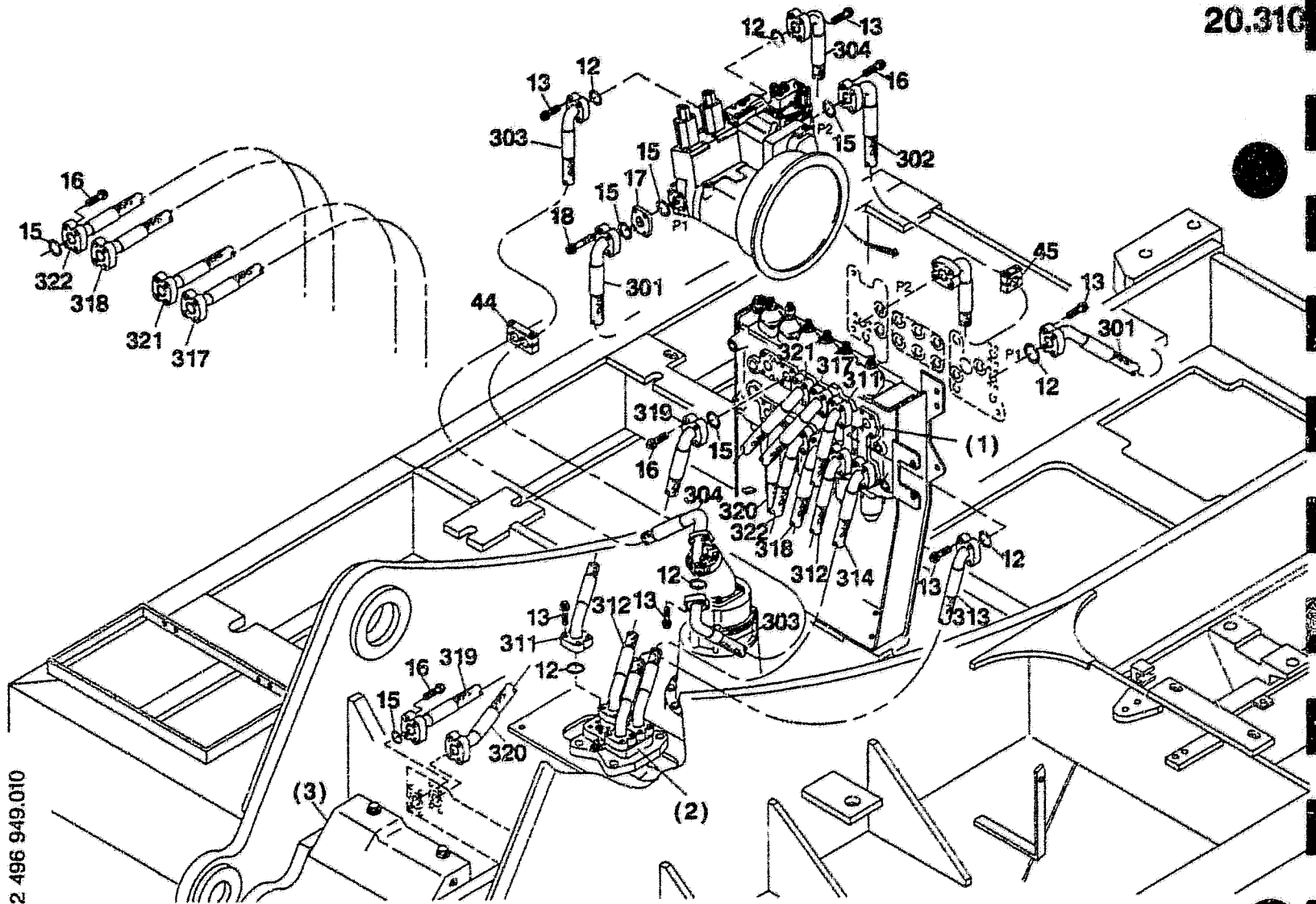
CLICK HERE TO **DOWNLOAD** THE COMPLETE MANUAL

- Thank you very much for reading the preview of the manual.
- You can download the complete manual from: www.heydownloads.com by clicking the link below



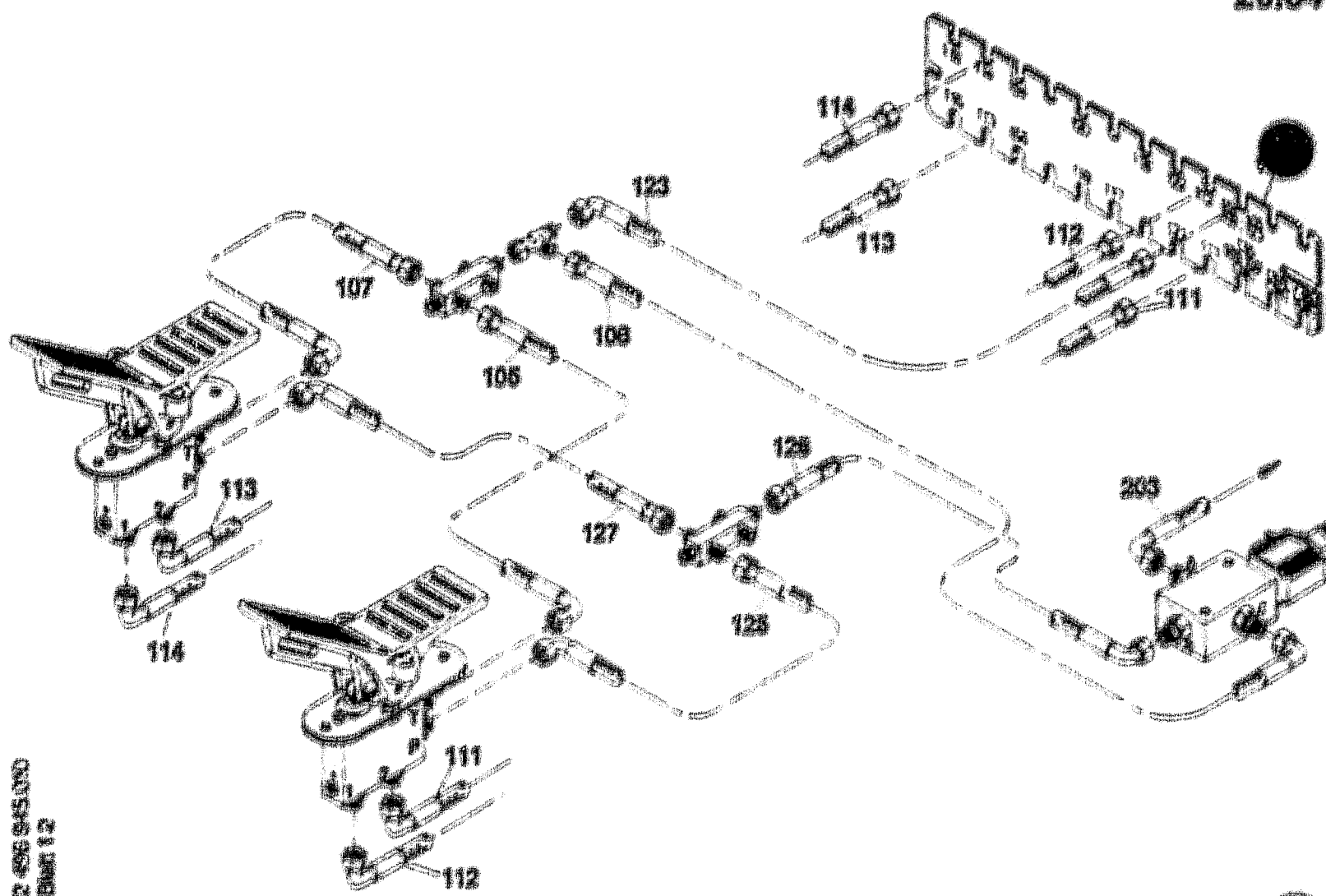
- Please note: If there is no response to CLICKING the link, please download this PDF first and then click on it.

CLICK HERE TO **DOWNLOAD** THE COMPLETE MANUAL

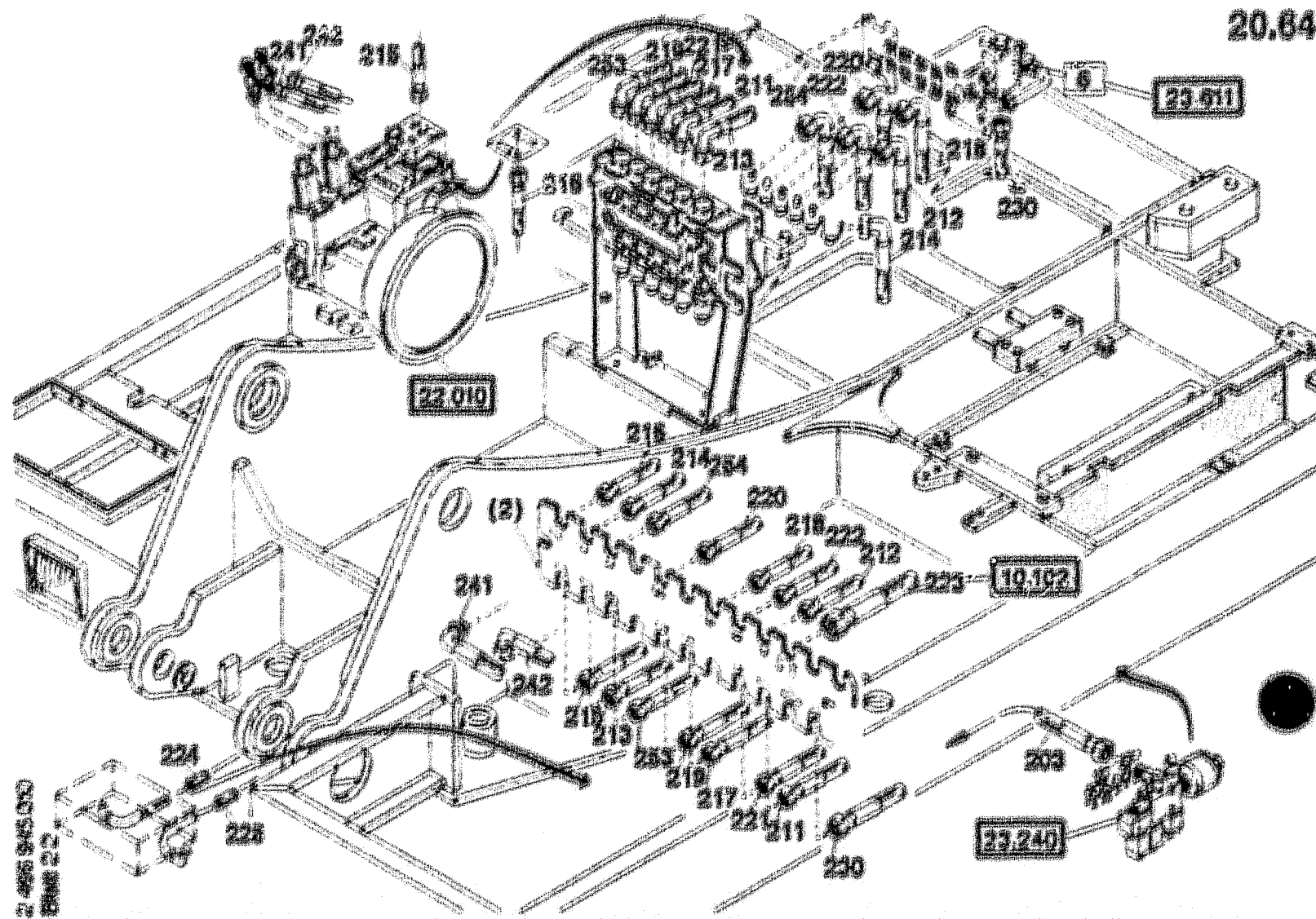


2 496 949.010

				20.310
HYDRAULIC SYSTEM HIGH PRESSURE				
FX240 / 227101 -				T 2496949 - 000 B 2496949 - 010
Item	Quan.	ME	Part No.	Description
304	1	00	73175374	HOSE
311	1	00	73171776	HOSE
312	1	00	73171777	HOSE
313	1	00	73171778	HOSE
314	1	00	73171778	HOSE
317	1	00	73171779	HOSE
318	1	00	73171780	HOSE
319	1	00	73171781	HOSE
320	1	00	73171782	HOSE
321	1	00	73171779	HOSE
322	1	00	73171780	HOSE



2-485 945.070
FIGURE 12



2-485 945.070
FIGURE 22

33,240

10,192

22,010

29,611



SWING PUMP

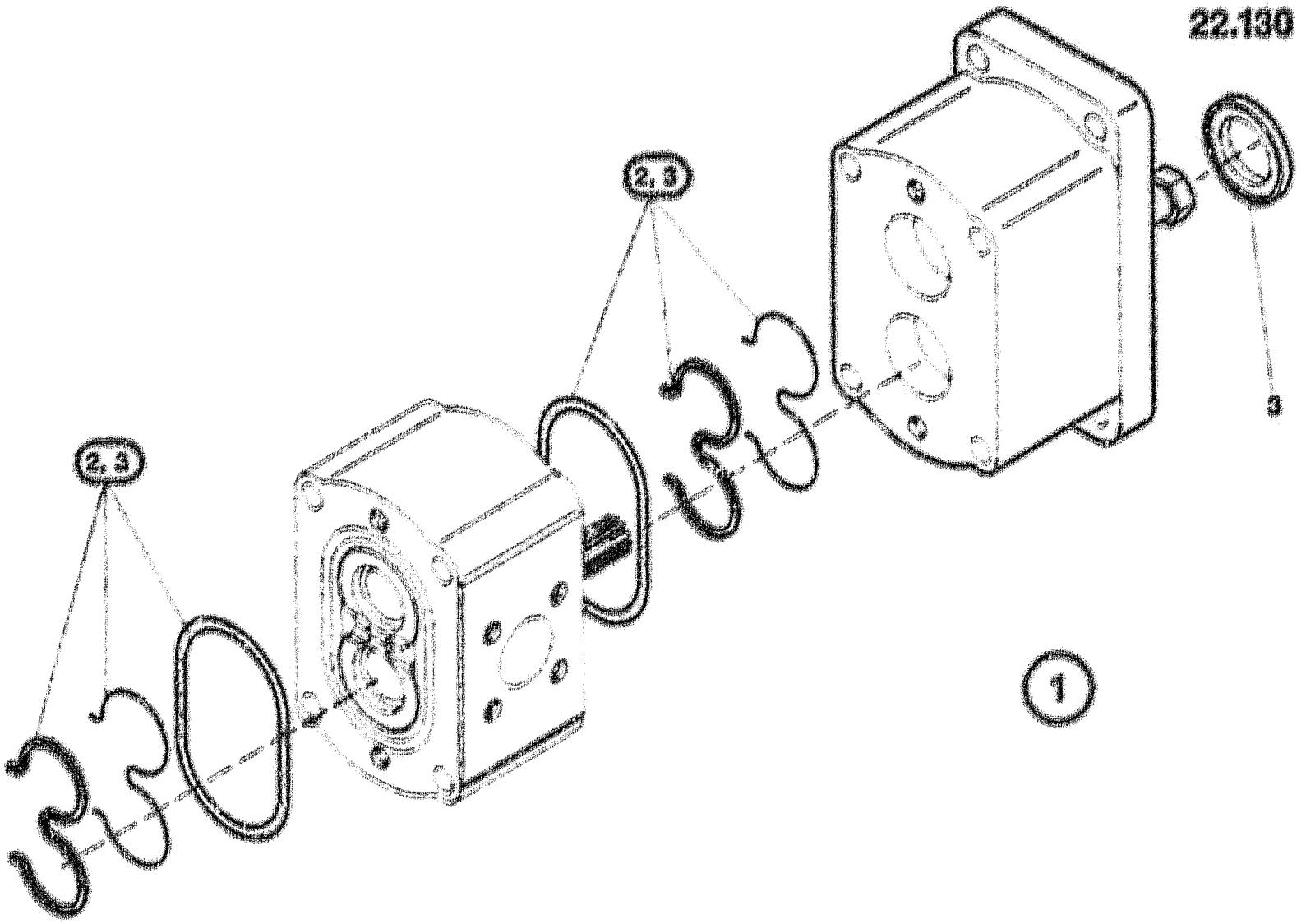
FX240 / 227101 - 227105


T 2496932 - 001

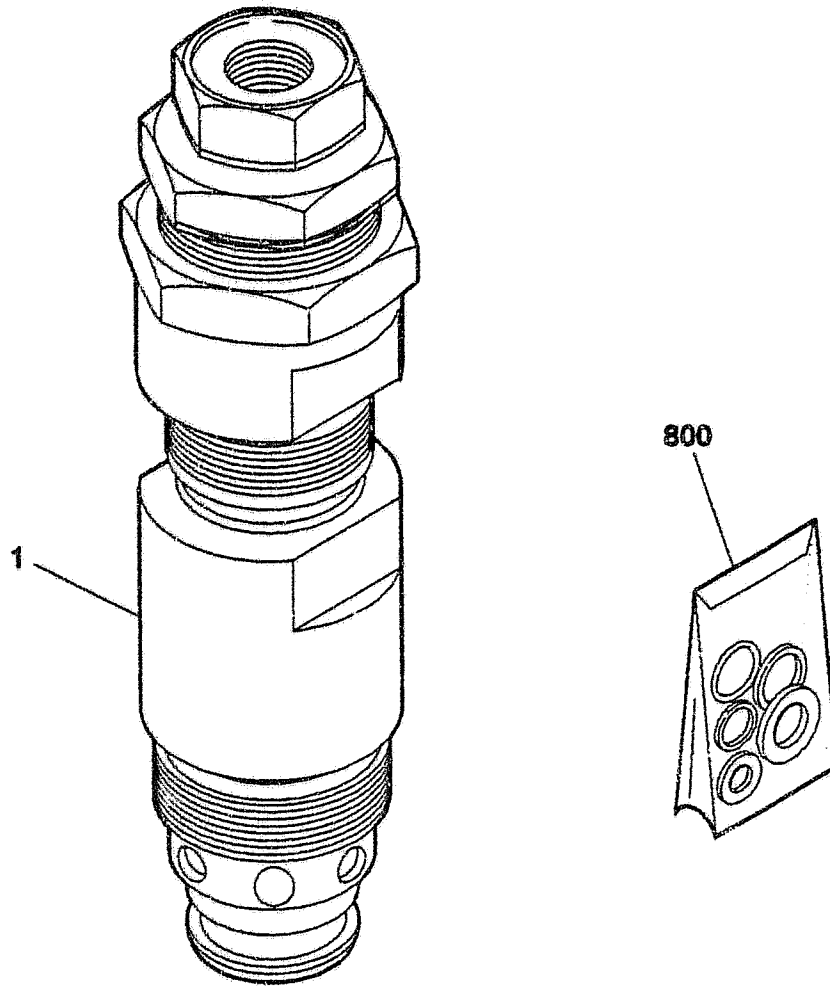
B 2496932 - 010

Item	Quan.	ME	Part No.	Description
001	1	00	73171847	VARIABLE PUMP
020	1	00	73171864	SCREW PLUG
021	1	00	73170359	SCREW PLUG
022	7	00	73171665	SCREW PLUG
023	2	00	73172457	SCREW PLUG
024	1	00	73175918	SCREW PLUG
025	1	00	73170755	O-RING
026	1	00	73175819	SCREW PLUG
032	1	00	73170459	SCREW PLUG
037	2	00	73175920	CIRCLIP
038	1	00	73175921	ROT.SHAFT LIP SEAL
115	2	00	73174018	CIRCLIP
119	1	00	73174352	O-RING
120	2	00	73175922	O-RING
130	2	00	73175923	PISTON GUIDE RING
131	2	00	73175924	SEALING RING
301	2	00	73175925	PRESS.REL.VALVE
302	1	00	73175926	VALVE
307	4	00	73175927	CYL.HEAD SCREW
309	1	00	73175928	O-RING
313	3	00	73171833	SCREW PLUG
326	2	00	73170496	O-RING
359	1	00	73170755	O-RING
360	1	00	73175929	SUPPORT RING
365	1	00	73170755	O-RING
401	1	00	73175930	GEARED PUMP
409	1	00	73175931	SNAP RING
410	4	00	73175932	CYL.HEAD SCREW
412	1	00	73175933	SEALING RING
416	1	00	73175934	O-RING
451	1	00	73175935	WEARING PLATE
453	1	00	73175933	SEALING RING
511	1	00	73170749	O-RING
512	1	00	73175936	CYL.HEAD SCREW
513	4	00	73175839	CYL.HEAD SCREW
518	4	00	73172457	SCREW PLUG
519	1	00	73171665	SCREW PLUG

2 782 953 010



22.130				
		GEAR MOTOR		
		FX240 / 227101 -		
		T 2782953 - 000 B 2782953 - 010		
Item	Quan.	ME	Part No.	Description
001	1	00	73175917	FAN MOTOR
002	1	00	73178486	GASKET SET
003	1	00	73178487	ROT.SHAFT LIP SEAL



2 782 431.011

23.032



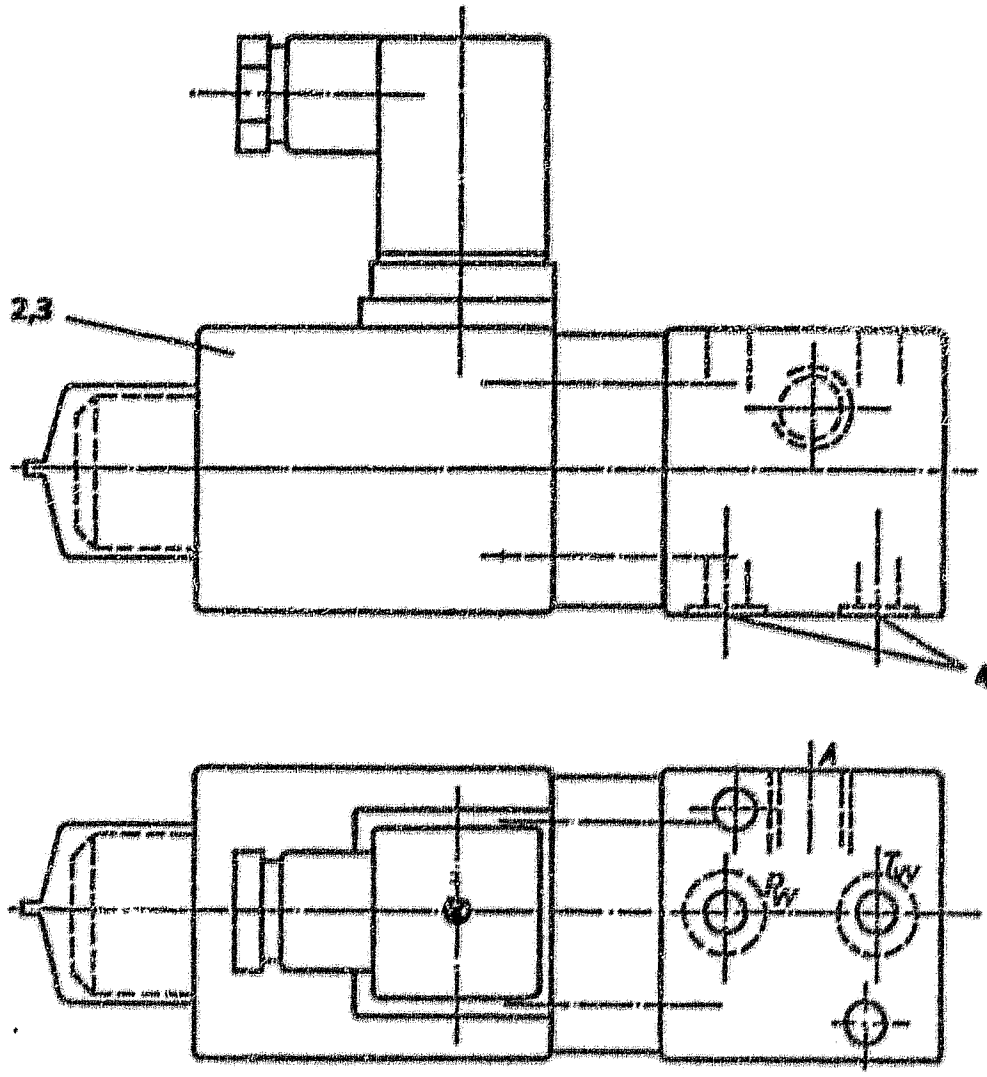
PRESS.REL.VALVE

FX240 / 227101 -

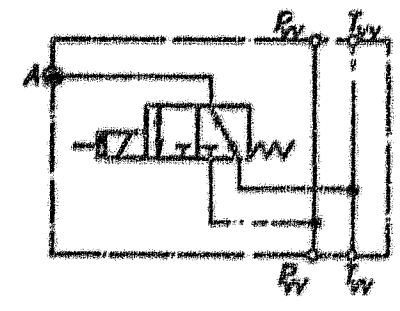
T 2782431 - 001

B 2782431 - 011

Item	Quan.	ME	Part No.	Description
001	1	00	73175396	PRESS.REL.VALVE
800	1	00	73175901	SET OF PIST. RINGS



1



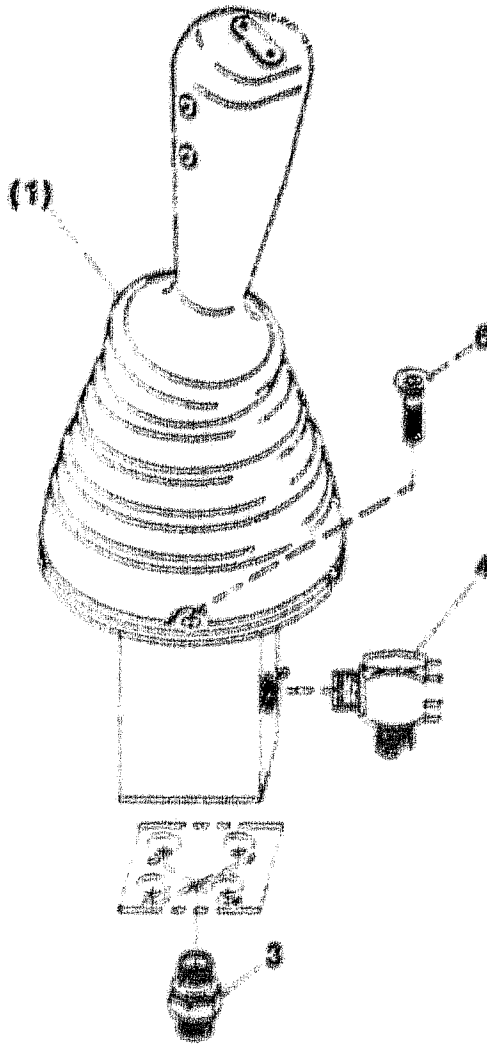
SOLENOID VALVE

23.232

FX240 / 227101 -

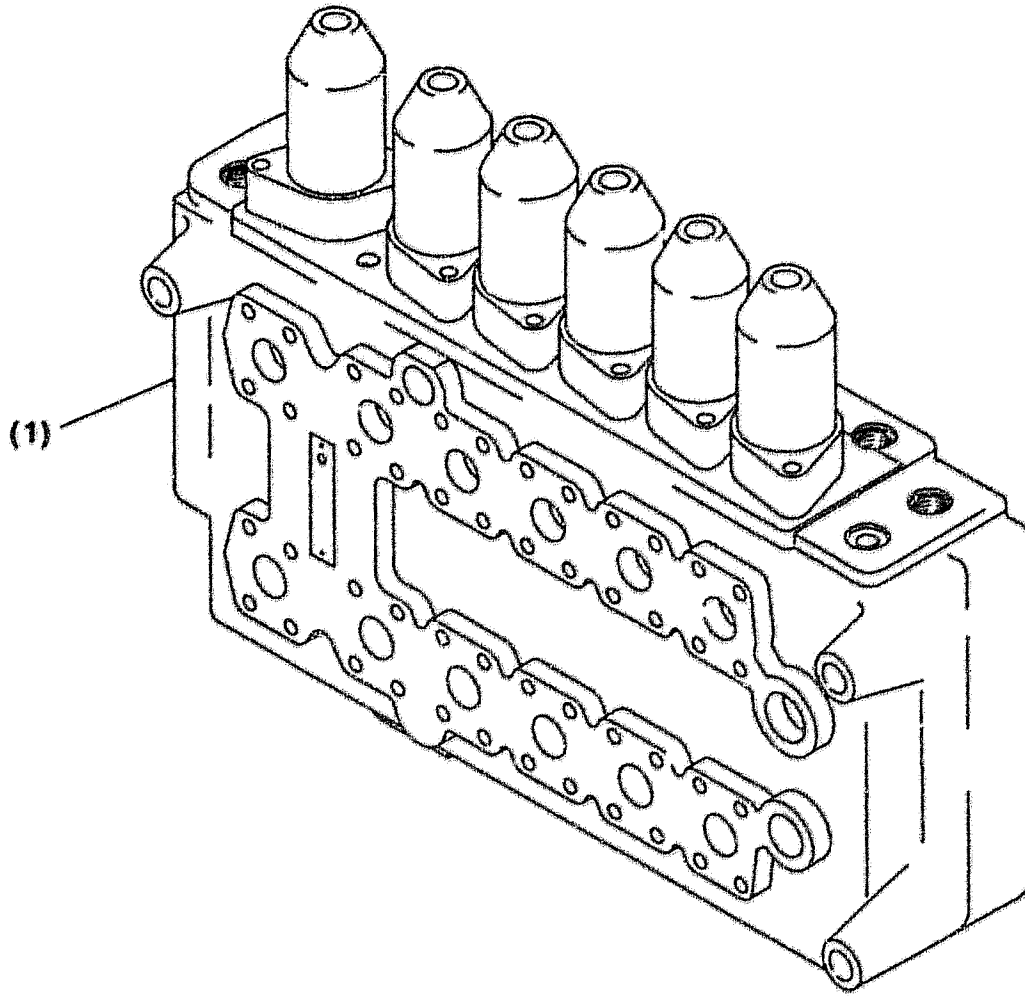
T 1998158 - 002
B 1998158 - 010

Item	Quan.	ME	Part No.	Description
001	1	00	73171251	VALVE
002	1	00	73170884	SOLENOID VALVE
003	1	00	73171252	SET OF PIST. RINGS
004	2	00	73170498	O-RING



2 496 571 000

				23.270	
				T 2496571 - 002 B 2496571 - 010	
				FX240 / 227101 -	
Item	Quan	ME	Part No.	Description	
001	1	00		23.271 2702854 SERVO VALVE MOUNTING PARTS	
003	4	00	73170380	SOCKET	
004	2	00	73170658	SWING FIXTURE	
005	4	00	73171233	CONTER-SUNK SCREW	



2 444 673.010



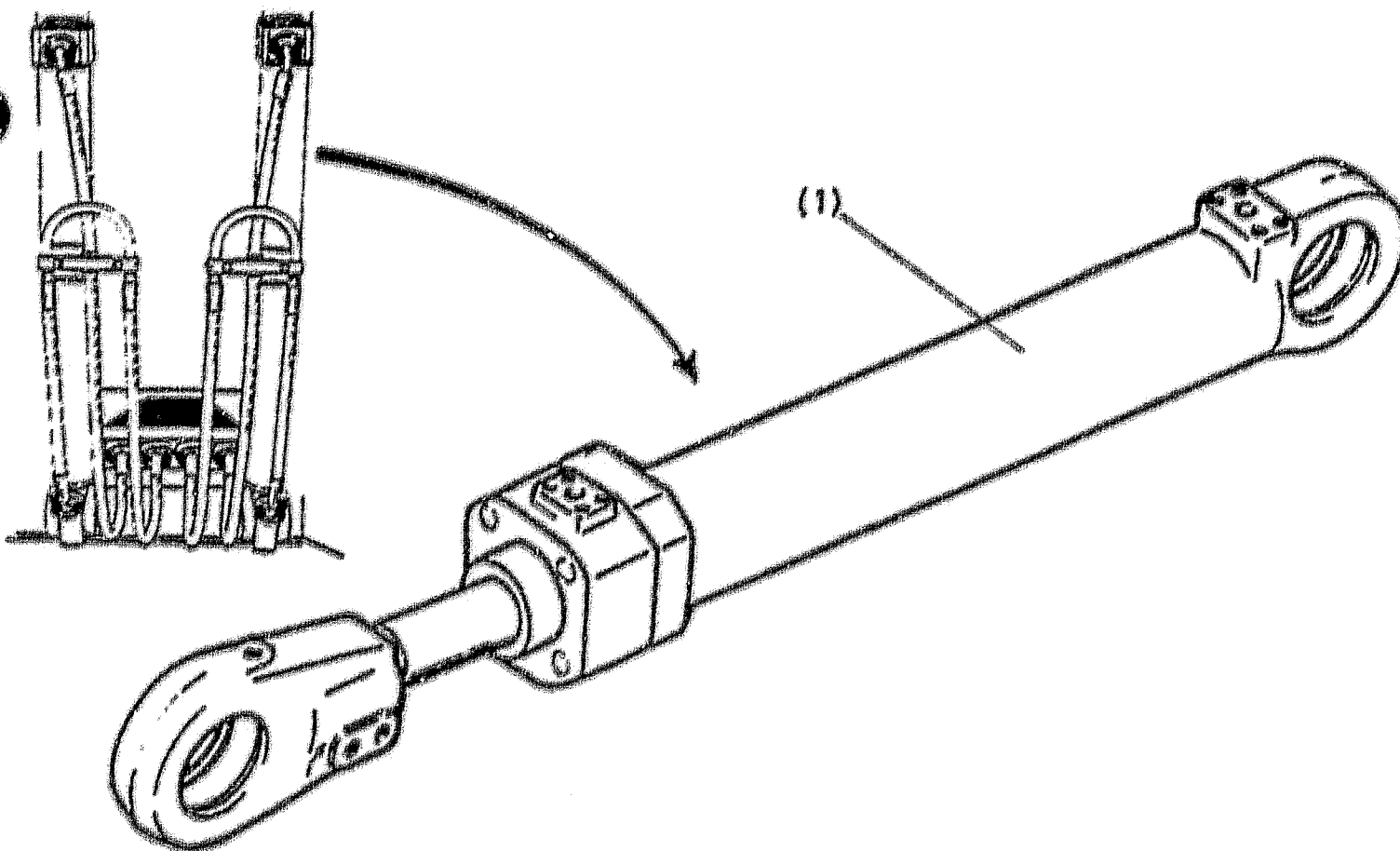
CONTROL BLOCK INSTALL.MATERIAL

23.610


FX240 / 227101 -

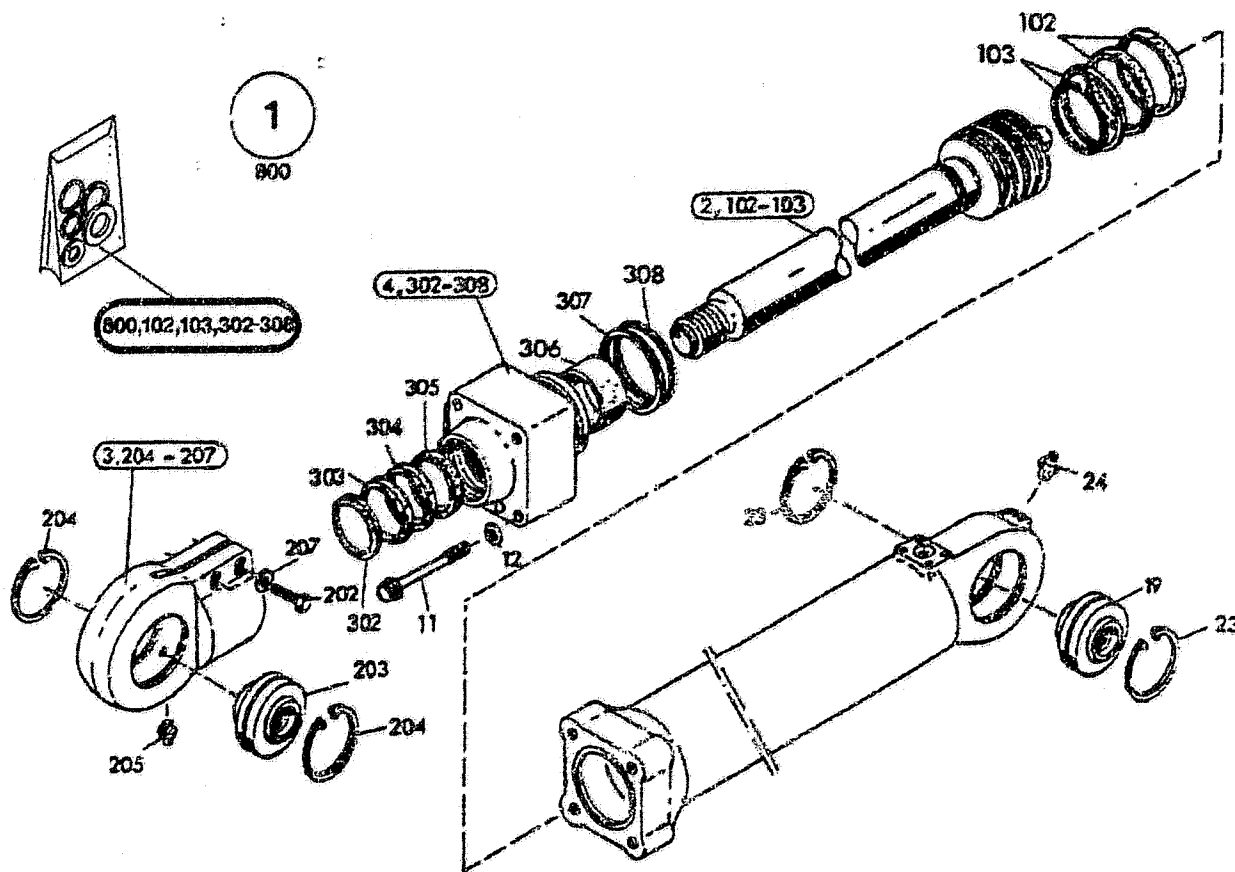
T 2444673 - 000
B 2444673 - 010

Item	Quan.	ME	Part No.	Description
001	1	00		23.611 2248584 CONTROL BLOCK MOUNTING PARTS




016930 C

24.020				
 BOOM CYLINDERS INSTALL.MATERIAL				
FX240 / 227102 *				
T 2443006 - 000				
B 2443006 - 010				
Item	Quan.	ME	Part No.	Description
001	1	00		24.022 2443006 BOOM CYLINDERS



2 284 411.011

				24.052
 BACKHOE CYLINDER				
FX240 / 227101 -				T 2284411 - 001 B 2284411 - 011
Item	Quan.	ME	Part No.	Description
304	1	00	73171947	SEALING RING
305	1	00	73171948	SEALING RING
306	1	00	73171949	PISTON GUIDE RING
307	1	00	73171985	SUPPORT RING
308	1	00	73171986	O-RING
800	0	00	73175443	GASKET SET

CLICK HERE TO **DOWNLOAD** THE COMPLETE MANUAL

- Thank you very much for reading the preview of the manual.
- You can download the complete manual from: www.heydownloads.com by clicking the link below



- Please note: If there is no response to CLICKING the link, please download this PDF first and then click on it.

CLICK HERE TO **DOWNLOAD** THE COMPLETE MANUAL