

FR7 ALPHABETICAL INDEX

	SUBGROUP
BACK-UP ALARM.....	F401(2)
BATTERIES & CABLES.....	F301
BUCKET ASSEMBLY(GENERAL PURPOSE).....	E314(1)
CAB WIRING.....	F401(4)
COLD WEATHER START.....	A243
DEFROSTER FAN.....	F401(4)
ENGINE CONTROLS(SHUT-OFF).....	A240
FUEL TANK & LINES.....	A201
FRAME (FRONT).....	D101(1)
FRAME (REAR).....	D101(2)
HOOD.....	L101(1)
LIGHTS & WIRING(FRONT).....	F401(1)

	SUBGROUP
LIGHTS & WIRING(REAR).....	F401/1
LIGHT(FRONT FLOOD).....	F629/3
LIGHT(HEAD).....	F629(1)
LIGHT(REAR FLOOD).....	F629/1
NUMERICAL INDEX.....	6
PAINTING & MARKING.....	8
SEAT & MOUNTING.....	M101(1)
SEAT SUPPORT & FLOOR.....	L304(2)
STARTER.....	F201
STEERING GEAR.....	D201
TIRE & WHEEL.....	D316(1)

FR7B ALPHABETICAL INDEX

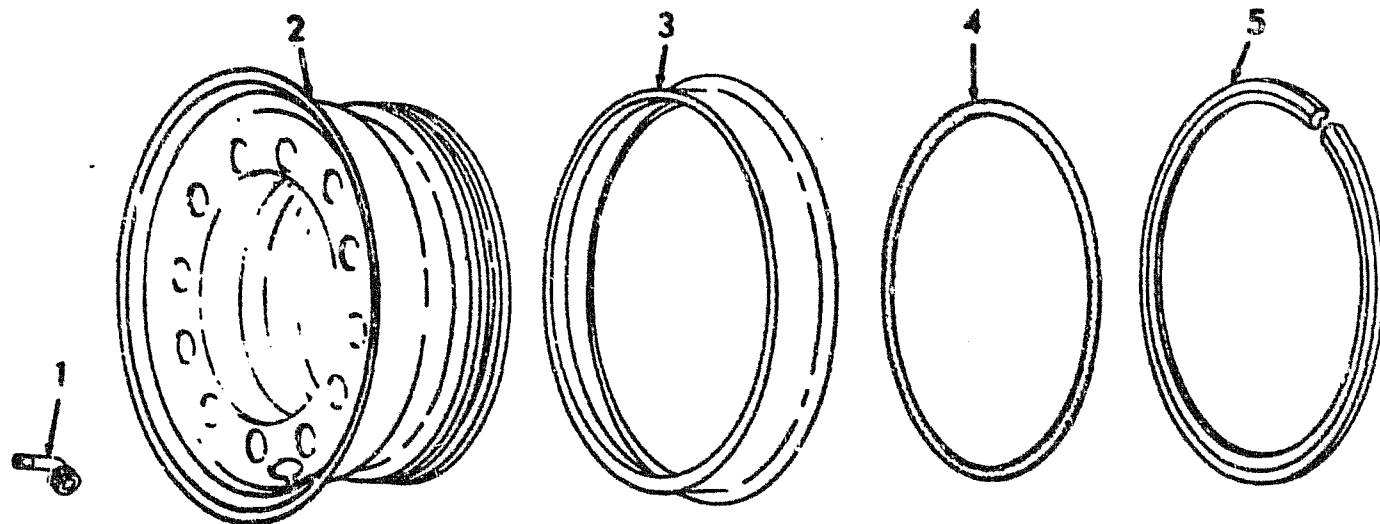
CLICK HERE TO **DOWNLOAD** THE COMPLETE MANUAL

- Thank you very much for reading the preview of the manual.
- You can download the complete manual from: www.heydownloads.com by clicking the link below



- Please note: If there is no response to CLICKING the link, please download this PDF first and then click on it.

CLICK HERE TO **DOWNLOAD** THE COMPLETE MANUAL



T-39680

ITEM	PART NO.	QTY.	CODE	DESCRIPTION
-	73145045	1	160R	WHEEL
			600L	INCLUDES ITEMS 2,3,5
1	73052021	1	10V	VALVE
	73069471	1	20C	CAP
2	73143581	1	160R	WHEEL(24 X 8.00 TG)
	-----	1	160R	WHEEL(12 X 25)
3	73027275	1	45A	RING(24 X 8.00)
	-----	1	45A	RING(12 X 25)
4	73024120	1	55A	O-RING(24 X 8.00)
	-----	1	55A	O-RING(12 X 25)
5	73027276	1	51A	LOCKRING(24 X 8.00)
	-----	1	51A	LOCKRING(12 X 25)
6	-----	1	147P	TIRE(14.00 X 24)10 PR
			G2	
	-----	1	147P	TIRE(15.5 X 25)
				XRTA 1 MICHELIN
	-----	1	147P	TIRE(15.5 X 25)12 PR
				L2
	-----	1	147P	TIRE(15.5 X 25)8 PR,L2

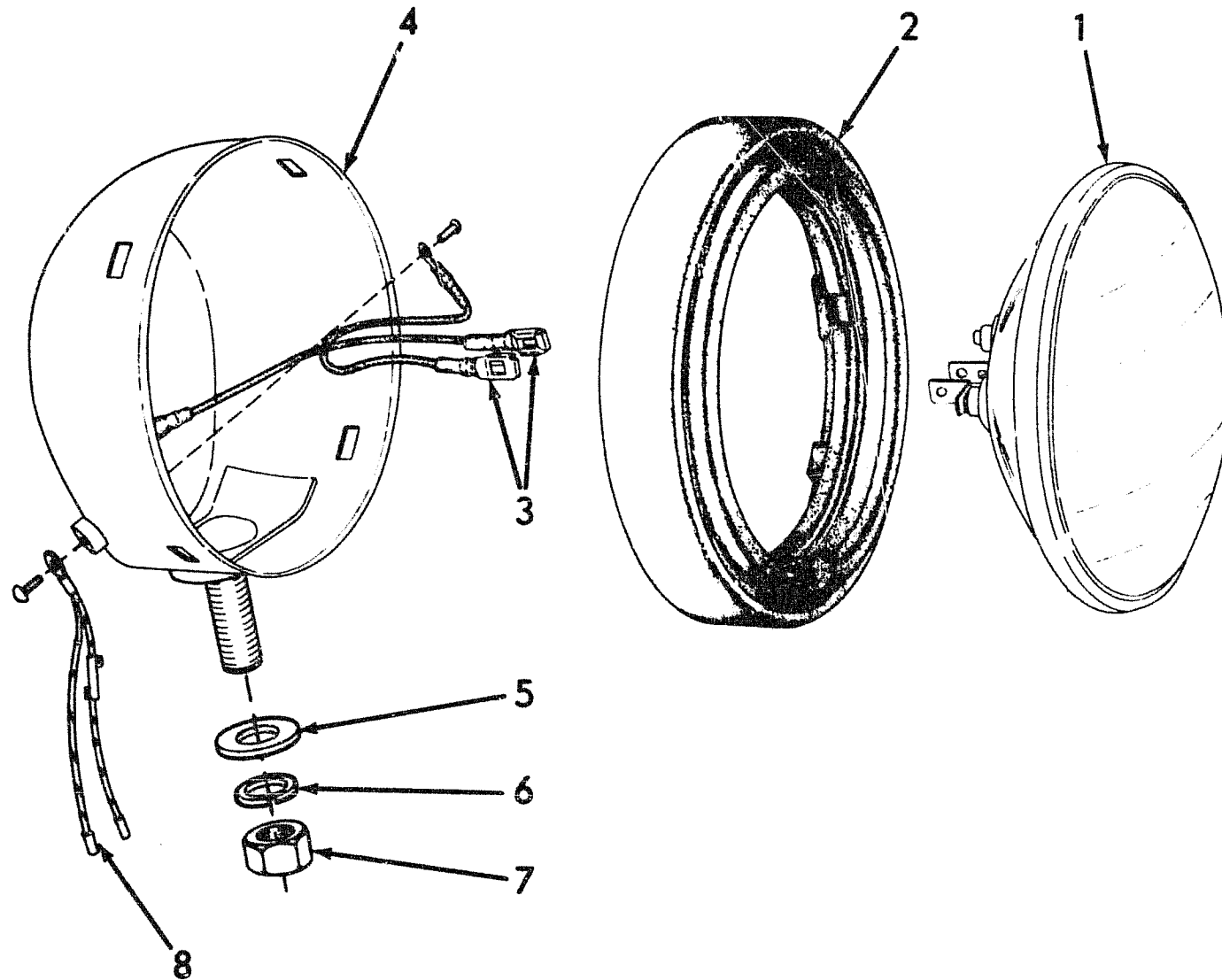
FR7

TIRE & WHEEL

D316

1

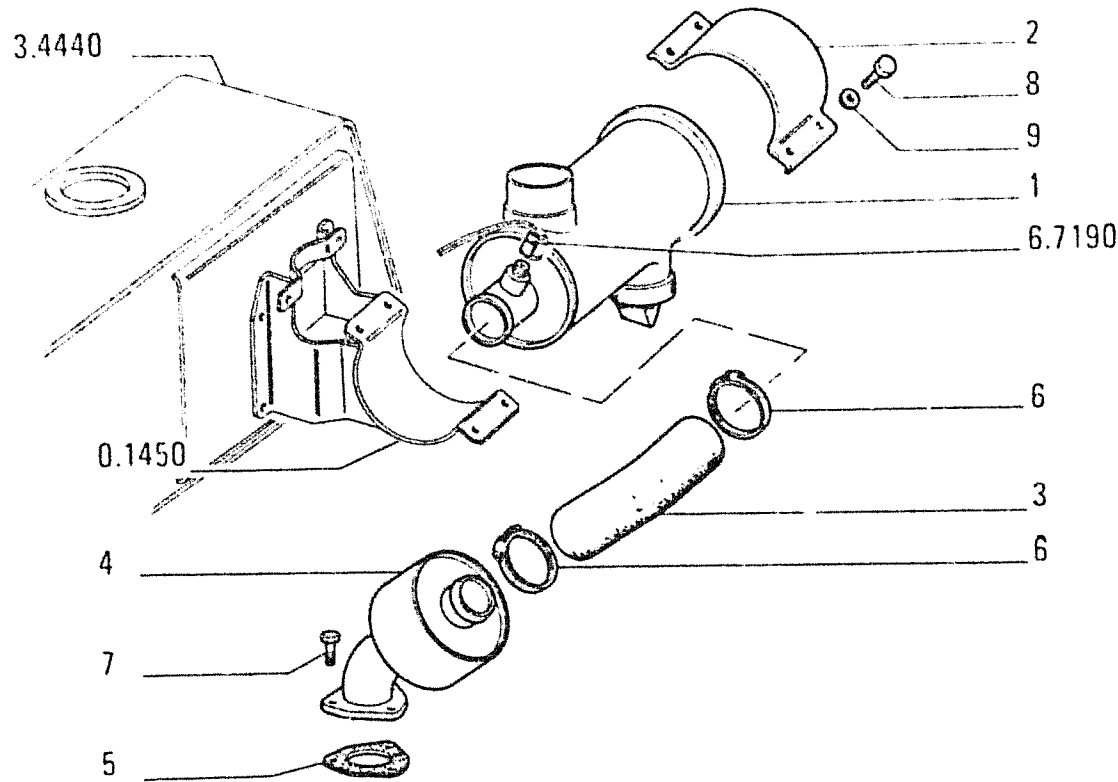
Revised June 1988



ITEM	PART NO.	QTY.	CODE	DESCRIPTION
-	73044810	1	116G	LIGHT ASSY.
			600L	INCLUDES ITEM(S)1-4
1	73046497	1	9F	LAMP(24V)
2	70621428	1	61S	RETAINER
3	70621724	2	60F	WIRE
			600R	INCL. HARDWARE
	70912731	2	42V	SCREW,#8NC X 5/16"
4	-----	1	300C	BODY
			601C	NOT SERVICED
	70912731	1	42V	SCREW,#8NC X 5/16"
5	70184780	1	131R	WASHER
6	70912441	1	132R	LOCKWASHER
7	70910195	1	10D	NUT
8	73143142	1	70I	CABLE HARNESS

T-70750

FR7	HEAD LIGHT LUCI PHARES SCHEINWERFER FAROS DELANTEROS	F629/1
-----	--	--------



ITEM	PART NO.	QTY.	CODE	DESCRIPTION
1	79075261	1	190	DRY AIR CLEANER ASSEMBLY
			600X	UP TO S/N 630477
	79098795	1	190	DRY AIR CLEANER ASSEMBLY
			600Y	EFFECTIVE WITH S/N 630478
2	79075263	1	94S	HALF COLLAR
3	79087137	1	285T	HOSE
4	79087130	1	193T	TUBE
5	4760065	1	122G	SEAL
6	79083848	3	40V	COLLAR
7	11306934	3	40V	SCREW
8	16043634	4	40V	SCREW 8X1.25X25
9	12645031	4	131R	WASHER 8.15X21

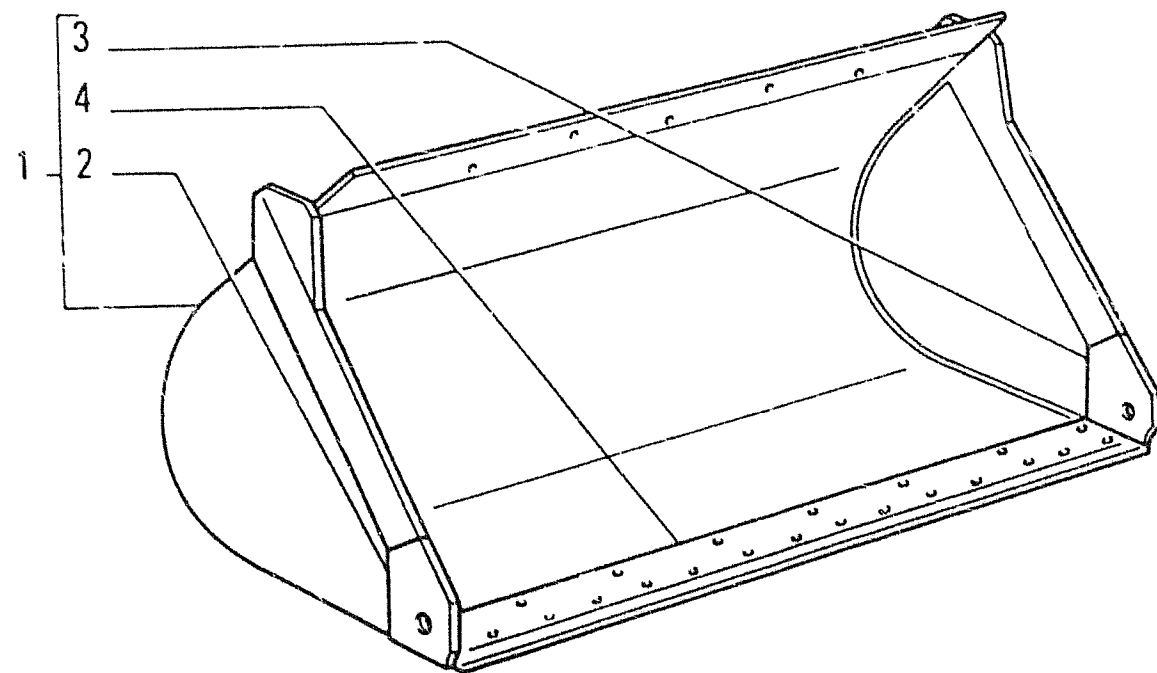
FR7B

DRY AIR CLEANER

0.1560

1 1

REVISED 5/91



ITEM	PART NO.	QTY.	CODE	DESCRIPTION
1	76016736	1	35B	BUCKET 1.38 YD BENNA
2	79084559	1	18T	CUTTING EDGE TAGLIENTE RIGHT TO BE DESTRO WELDED DA SALDARE
3	79084560	1	18T	CUTTING EDGE TAGLIENTE LEFT TO BE SINISTRO WELDED DA SALDARE
4	76015360	1	18T	CUTTING EDGE TAGLIENTE TO BE DA SALDARE WELDED

FR7B

**BUCKET
79087048**

94.5010

1

ADDED 06/91

CLICK HERE TO **DOWNLOAD** THE COMPLETE MANUAL

- Thank you very much for reading the preview of the manual.
- You can download the complete manual from: www.heydownloads.com by clicking the link below



- Please note: If there is no response to CLICKING the link, please download this PDF first and then click on it.

CLICK HERE TO **DOWNLOAD** THE COMPLETE MANUAL