

## AVOID ACCIDENTS

Most accidents, whether they occur in industry, on the farm, at home or on the highway, are caused by the failure of some individuals to follow simple and fundamental safety rules or precautions. For this reason **MOST ACCIDENTS CAN BE PREVENTED** by recognizing the real cause and doing something about it before the accident occurs. Regardless of the care used in the design and construction of any type of equipment there are conditions that cannot be completely safeguarded against without interfering with reasonable accessibility and efficient operation.

Carefully read instructions, cautions and safety warning quoted in the "SAFETY RULES" section.

A careful operator is the best insurance against an accident. The complete observance of one simple rule would prevent many thousand serious injuries each year.

The rule is:

**Never attempt to clean, oil or adjust a machine while it is in motion.**

## WARNING

On machines having hydraulically, or mechanically, controlled equipment be certain the equipment is lowered to the ground before servicing, adjusting and/or repairing. If it is necessary to have the controlled equipment partially or fully raised to gain access to certain items, be sure the equipment is suitably supported by means of proper devices other than those used for controlling the equipment.

### CALIFORNIA

#### Proposition 65 Warning

Diesel engine exhaust and some of its constituents are known to the State of California to cause cancer, birth defects, and other reproductive harm.

## COPYRIGHT BY FIATALLIS

All rights reserved. Reproduction of text and illustrations in whole or in part, is strictly prohibited.

73161387 ISSUE 4 OCTOBER 1998

CLICK HERE TO **DOWNLOAD** THE COMPLETE MANUAL

- Thank you very much for reading the preview of the manual.
- You can download the complete manual from: [www.heydownloads.com](http://www.heydownloads.com) by clicking the link below



- Please note: If there is no response to CLICKING the link, please download this PDF first and then click on it.

CLICK HERE TO **DOWNLOAD** THE COMPLETE MANUAL

PART NO	SBGRPTAV	ITEM
70920995	L101	1 04A
70921068	E302	8 01A
70921068	E302	9 01A
70921076	A201	1 01D
70921076	A256	1 02A
70921076	A409	1 03A
70921076	B401	2 18A
70921076	C101	2 11A
70921076	C101	2 02C
70921076	D101	2 05A
70921076	D101	2 06A
70921076	E310	1 04A
70921076	L104	6 02A
70921174	B401	1 25
70921175	A401	1 04A
70921205	E302	2 37
70921205	E302	7 17
70921205	E331	2 07A
70921205	E331/1	1 08A
70921229	F401	7 02C
70921327	E302/1	1 07
70921349	D211	1 12
70921349	E302	1 09A
70921349	E302	12 26
70921349	E302	2 36
70921349	E302	3 18
70921349	E302	5 30
70921349	E302	6 13
70921349	E302	7 19
70921349	E302	8 27
70921349	E302	9 26
70921382	L109	1 28A
70921411	E310	1 06A
70921422	A221	1 05A
70921422	A221	1 13A
70921422	E325	1 24A
70921433	F401	2 05
70921433	F401	7 01F
70921535	D101	2 03C
70921565	A221	1 38A
70921565	E325	1 33A
70921566	F303	1 02A
70921566	L104	6 01A
70921566	L104	6 07A
70921566	L104	6 08A
70921839	C101	1 10A
70921839	E325	2 04
70921883	E302	11 18
70921883	F302	12 25
70921885	D101	5 16
70921885	D211	1 12
70921885	D211	2 15
70921885	E302	2 29
70921885	E302	3 12
70921885	E302	4 08
70921885	E302	5 17
70921885	E302	6 11
70921885	E302	7 16
70921885	E302	8 20
70921885	E302	9 27
70921898	A201	1 01A
70921910	C101	2 03C
70921911	E102	1 06
70921912	E302/1	1 06A

PART NO	SBGRPTAV	ITEM
70921912	E302/2	1 11B
70921913	A401	1 09A
70921913	A401	1 05A
70921913	A401	1 02A
70921914	A201	1 06A
70922036	L104	1 19A
70922129	E102	1 01A
70922199	A222	1 06
70922200	A222	1 05
70922262	A221	1 23A
70922262	F505	1 04A
70922262	F505	1 01A
70922262	L101	1 05A
70922262	L109	1 26B
70922262	L109	1 19
70922262	L109	1 04A
70922262	L109	1 03A
70922287	E331	2 01A
70922287	E331/1	1 01A
70922300	A001	1 11A
70922300	A221	1 25A
70922300	A401	1 01A
70922300	A409	1 13B
70922300	C101	2 09A
70922300	C101	3 04A
70922300	D211	1 04A
70922300	D233	1 06A
70922300	D233	1 04A
70922300	D233	1 02A
70922300	E302	1 12A
70922300	E302	1 08A
70922300	E302	3 17A
70922300	E325	1 29A
70922300	F401	3 04A
70922300	F401	3 05A
70922526	L104	1 09A
70922526	L104	1 08A
70922605	E302	2 11A
70922605	E302	5 06A
70922605	E310	3 08B
70922605	E325	2 06A
70922605	E325	2 08A
70922605	E328	1 04A
70922605	E328	1 12A
70922605	M101	2 04A
70922606	E302/2	2 03H
70922606	E302/2	2 10
70922660	E302	1 14A
70922660	E302/2	1 02A
70922660	E302/2	2 09A
70922744	E310	2 05A
70922744	E310	2 06A
70922763	A001	1 09A
70922763	A401	1 07A
70922763	A401	1 21A
70922763	C101	2 01A
70922763	E325	1 19
70922763	E325	1 28
70922763	E325	1 27C
70922763	E331	1 09
70922763	E331	2 02A
70922763	E331/1	1 02A
70922763	F401	3 07A
70922763	F401	6 01A

PART NO	SBGRPTAV	ITEM
70922763	L101	1 01A
70922763	L308	1 13A
70922820	D211	3 04A
70922913	F505	1 16A
70922913	F505	2 06A
70922925	B401	1 08A
70923087	L101	2 07
70923137	E302	3 14A
70923137	E302	5 02A
70923154	E302	2 12A
70923154	E302	5 23A
70923154	E325	2 20
70923164	A243	1 05
70923371	E331/1	2 18
70923376	E331	4 09
70923376	E331/1	2 09
70923469	F401	2 08A
70923470	A221	1 29A
70923470	D101	2 09A
70923470	E302	10 03
70923470	E302	2 10A
70923470	E302/2	1 04
70923470	E325	2 11
70923473	E302	9 18A
70923484	A201	1 12A
70923484	D101	3 02A
70923484	D101	3 03A
70923484	D101	3 04B
70923484	E302	5 12A
70923484	E302/2	2 03F
70923484	E302/2	2 03B
70923484	F301	1 14B
70923484	F401	1 01A
70923484	F401	1 02A
70923484	F505	2 01A
70923484	F505	2 02A
70923484	L109	1 02B
70923484	L109	1 08B
70923484	M101	1 02A
70923484	M101	1 10A
70923484	M101	1 05A
70923485	C135	1 09A
70923485	L101	1 02A
70923485	L101	2 01A
70923485	L101	2 02A
70923485	L101	2 03A
70923485	L101	2 05A
70923485	M101	2 14A
70923485	M101	2 13A
70923490	E102	1 02A
70923490	E302	5 27A
70923490	E302/2	2 11
70923490	L104	4 05A
70923490	M101	2 12A
70923550	E302	11 17
70923559	E302	12 23
70923560	D101	5 17
70923560	D211	1 13
70923560	D211	2 16
70923560	E302	11 19
70923560	E302	12 24
70923560	E302	3 13
70923560	E302	4 09
70923560	E302	5 18

PART NO	SBGR	TAV	ITEM	PART NO	SBGR	TAV	ITEM	PART NO	SBGR	TAV	ITEM
73162718	L125	1	03	73163461	M101	1	03	76034233	B200	10	16
73162751	B200	1	13	73163462	E325	2	18B	76034234	B200	10	17
73162752	B200	1	15	73163463	9	1	10	76034235	B200	10	22
73162753	B200	1	16	73163463	E310	1	34	76034236	B200	10	23
73162754	B200	1	18	73163525	M101	1	14A	76034246	B200	10	26
73162755	B200	1	19	74021600	A222	1	07	76034248	B200	10	09
73162756	B200	1	20	74029499	F401	1	30	76034249	B200	10	07
73162757	B200	7	18	75120899	L101	1	02B	76034250	B200	10	07A
73162758	B200	9	15	75128407	F301	1	01	76034251	B200	10	07B
73162759	B200	9	17	75128695	B200	4	07	76034252	B200	10	07C
73162760	B200	9	18	75128706	9	1	07	76034253	B200	10	07D
73162761	B200	9	19	75128706	B200	1	24	76034254	B200	10	07E
73162762	B200	9	20	75215715	E310	1	31	76034255	B200	10	07F
73162763	B200	10	55	75215715	E310	2	08	76034256	B200	10	07G
73162774	A221	1	29B	75221401	L104	4	01	76034258	B200	10	02
73162774	E102	1	02B	75236893	E332	8	05	76034412	B200	13	02
73162774	E302/2	2	10A	75239182	F401	1	15	76034412	B200	16	03
73162774	E302/2	2	11A	75239190	A201	1	14	76034412	F401	8	03
73162774	E302/2	2	03J	75241695	F303	1	01	76042394	C101	1	14
73162774	F401	2	08B	75241705	E108	1		77109478	E313	1	08
73162774	L104	4	04C	75241705	F401	7	02	77109520	E331	2	09
73162858	E302	1	18	75241705	F401	7	02	77109520	E331/1	1	10
73162858	E331	2	12	75241711	F401	1	14	77109520	E331/1	1	10
73162859	E302	1	13	75241792	E325	2	01	77109521	E331	2	08
73162859	E331	2	11	75241794	E325	1	01	77109521	E331/1	1	09
73162869	E302/2	1	06	75241794	E325	1	03	79013273	F401	7	09
73162870	E302/2	2	01	75241795	E325	1	07	79021913	A401	1	11A
73162879	D211	1	03	75241797	E325	1	05	79031824	L104	1	29
73162879	E302/2	2	06	75241797	E325	1	11	79039859	B403	7	08
73162880	E302/2	1	08	75241798	E325	1	13	79039861	B403	6	09
73162881	E302/2	1	10	75241800	E325	1	15	79047474	B403	7	09
73162882	E302/2	1	02	75241818	F401	5	13	79052405	B403	6	10
73162884	E302/2	1	09	75242189	L104	1	13A	79056234	B403	7	15
73162885	E302/2	1	07	75242189	L104	1	12A	79059369	B200	4	30
73162886	E302/2	2	07	75242189	L104	1	11A	79059369	B200	4	31A
73162887	E302/2	2	04	75242189	L104	1	10A	79059369	B200	4	35
73162888	E302/2	1	05	75242189	L308	1	11	79059369	B200	4	36A
73162889	E302/2	2	03	75242314	A221	1	34	79059369	B200	5	33A
73162892	E302/2	2	02	75244344	A221	1	29	79059369	B200	5	32
73162893	E302/2	2	05	76010146	L109	1	07	79059369	B200	5	28A
73163034	E302/2	1	03	76010878	F301	1	02	79059369	B200	5	26
73163035	E302/2	1	01	76016272	C101	2	08	79059369	B200	6	39
73163045	F401	3	08	76026192	B200	7	07	79059369	B200	6	40A
73163048	F401	1	12	76026192	B200	7	08	79059369	B200	6	45A
73163049	F401	1	11A	76030902	B200	3	12	79059369	B200	6	44
73163050	F401	1	16	76034213	B200	10	01	79064651	B403	3	06
73163050	F401	1	05B	76034214	B200	10	32	79065994	D211	3	01
73163059	M101	2	02	76034215	B200	10	33	79066937	C101	3	01
73163102	B200	18	01	76034218	B200	10	30	79067876	F401	7	06
73163218	E325	2	08	76034219	B200	10	28	79070020	F401	4	01
73163224	E310	3	06	76034219	B200	10	21	79070022	F401	4	02
73163243	A001	1	05C	76034220	B200	10	18	79072757	M101	2	08
73163243	A201	1	07B	76034221	B200	10	47	79072917	B200	4	32
73163243	E302	2	22B	76034222	B200	10	46	79072917	B200	4	37
73163243	E302	5	23B	76034223	B200	10	48	79072917	B200	5	29
73163243	E302	9	17A	76034224	B200	10	43	79072917	B200	5	34
73163244	A201	1	01B	76034225	B200	10	45	79072917	B200	6	46
73163244	E302	9	18B	76034226	B200	10	04	79072917	B200	6	41
73163253	F401	1	35	76034227	B200	10	06	79073031	F301	1	08
73163254	E310	3	05	76034227	B200	12	04	79073033	F301	1	09
73163265	F301	1	11	76034228	B200	10	05	79073382	L109	1	11
73163409	A201	1	04	76034229	B200	10	10	79073382	L109	1	28
73163409	A201	1	05	76034230	B200	10	12	79074662	F401	4	10
73163460	F401/1	1	02	76034231	B200	10	11	79074663	F401	4	11
				76034232	B200	10	13	79075337	B403	7	02

## BLOCK

ITEM	PART NUMBER	QTY	TR CO	DESCRIPTION	DESCRIZIONE
01	81876753	1	119T	HEAD	TESTA
01A	81865195		74A	SEAT VALVE EXH 0 010	EXH 0 010
	81865196		74A	SEAT VALVE EXH 0 020	EXH 0 020
	81865194	4	74A	SEAT VALVE EXH STD	EXH STD
01B	81876763		74A	SEAT VALVE INT 0 010	INT 0 010
	81876768		74A	SEAT VALVE INT 0 020	INT 0 020
	81876756	4	74A	SEAT VALVE INT STD	INT STD
02	83957021	7	50T	PLUG	TAPPO
03	83957025	1	50T	PLUG	TAPPO
04	83948300	13	40V	SCREW	VITE
05	81873577	1	120G	GASKET	GUARNIZIONE PIANA
06	87840359	1	105P	PLATE	PIASTRA
07	81865591	1	120G	GASKET	GUARNIZIONE PIANA
08	81876604	12	40V	SCREW 5/16X18	VITE 5/16X18
09	81869937	1	122G	SEAL	GUARNIZIONE
10	87840861	1	26T	BLOCK	TAMPONE
11	83957025	1	50T	PLUG	TAPPO
12	82851792	1	50T	PLUG	TAPPO
13	81876966	4	20U	JET	UGELLO
14	83957023	2	50T	PLUG	TAPPO
15	81868411	2	50T	PLUG	TAPPO
16	81868410	1	50T	PLUG	TAPPO
	82851787	1	50T	PLUG	TAPPO
17	83957022		50T	PLUG	TAPPO
18	81826638	2	200S	PIN	SPINA
18A	81808472	2	200S	PIN	SPINA
19	83925618	4	40V	SCREW 3/8X16X 75	VITE 3/8X16X 75
20	83976853	1	89G	CLIP	GRAFFETTA
22	81822547	1	120G	GASKET	GUARNIZIONE PIANA
23	87840555	1	265C	COVER	COPERCHIO
24	81873524	1	210C	SWTCH OIL PRESS	COMMUTATORE OIL PRESS
25	82851790		50T	PLUG	TAPPO
25A	82851791	1	50T	PLUG	TAPPO
26	82851789	1	50T	PLUG	TAPPO
27	83960218	2	90G	DOWEL	GRANO
28	83956679	1	50T	PLUG	TAPPO
29	83999273	2	120G	GASKET	GUARNIZIONE PIANA
31	87800184	1	300S	SUPPORT	SUPPORTO
32	83949104	2	40V	SCREW	VITE
33	83953907	1	55F	FILTER	FILTRO
34	83943981	1	193T	TUBE	TUBO RIGIDO
35	83982499	1	91A	DIPSTICK	ASTA LIVELLO
37	87800418	1	265C	COVER	COPERCHIO
37A	87800190	1	265C	COVER	COPERCHIO
38	83416207	1	122G	SEAL	GUARNIZIONE
	83959395	1	120G	GASKET	GUARNIZIONE PIANA
39	81803219	1	265C	COVER	COPERCHIO
40	83907851	1	20U	CAP	CALOTTA
41	83971381	1	265C	COVER	COPERCHIO
42	83959876	1	120G	GASKET COVER	GUARNIZIONE PIANA COVER
43	83958605	1	40V	SCREW 3/8X16X1 5	VITE 3/8X16X1 5
44	81868845	2	40V	SCREW 3/8X16X2 5	VITE 3/8X16X2 5
45	81876948	8	40V	SCREW 3/8X16X2	VITE 3/8X16X2
45A	81867943	2	40V	SCREW 5/16X18X2 5	VITE 5/16X18X2 5
45B	81867931	4	40V	SCREW	VITE 5/16X18X2

## MANIFOLDS

ITEM	PART NUMBER	QTY	TR. CO	DESCRIPTION	DESCRIZIONE
01	87800237	1	225C	INTAKE MANIFOLD	COLLETTORE ASPIRAZIONE
02	83984176	1	50T	PLUG	TAPPO
03	83999300	1	120G	GASKET	GUARNIZIONE PIANA
05	83999282	1	230C	EXHAUST MANIFOLD	COLLETTORE DI SCARICO
21	81868740	2	40V	SCREW 3/8X16X1 25	VITE 3/8X16X1 25
	83958605	1	40V	SCREW 3/8X16X1 5	VITE 3/8X16X1 5
22	81868474	3	40V	SCREW 3/8X16X5	VITE 3/8X16X5
23	81868473	3	120G	GASKET	GUARNIZIONE PIANA
24	83999221	1	120G	GASKET	GUARNIZIONE PIANA
25	81868476	8	40V	SCREW 3/8X16X2 5	VITE 3/8X16X2 5

## FUEL PUMP AND LINES

ITEM	PART NUMBER	QTY	TR CO	DESCRIPTION	DESCRIZIONE
28	87840743	1	154P	FUEL PUMP	POMPA ALIMENTAZIONE
29	83925582	3	131R	WASHER	ROSETTA
30	82855493	3	40V	SCREW 5/16X24X1	VITE 5/16X24X1
31	83416201	1	120G	GASKET	GUARNIZIONE PIANA
32	83991490	1	50I	GEAR	INGRANAGGIO
34	81873921	4	131R	WASHER A201 (5)	ROSETTA A201 (5)
35	81806277	4	120G	GASKET A201(5)	GUARNIZIONE PIANA A201(5)
36	81845769	8	131R	WASHER	ROSETTA
37	87840522	8	40V	SCREW 5/16X18X1 38	VITE 5/16X18X1 38
39	82850875	1	193T	TUBE	TUBO RIGIDO
40	81871476	1	216P	SEPARATOR A201 (7)	A201 (7)
41	81866599	1	65F	FILTER	FILTRO
41A	87840509	1	20E	FILTER ELEMENT	ELEMENTO FILTRANTE
41B	81866602	1	119T	HEAD	TESTA
41C	81868458	1	131R	WASHER	ROSETTA
41D	81868457	1	40V	SCREW VENT	VITE VENT
41E	81827346	1	131R	WASHER	ROSETTA
41F	81866612	1	122G	SEAL	GUARNIZIONE
41G	81825365	1	50T	PLUG	TAPPO
42	87800188	1	225S	BRACKET	STAFFA
43	83995273	4	40V	SCREW 3/8X16X 88	VITE 3/8X16X 88
44	81868740	4	40V	SCREW 3/8X16X1 25	VITE 3/8X16X1 25
44A	83958605	1	40V	SCREW 3/8X16X1 5	VITE 3/8X16X1 5
45	81823746	2	10D	NUT 3/8X16	DADO 3/8X16
46	83947824	7	75B	CONNECTOR	MORSETTO
47	83904845	7	120G	GASKET	GUARNIZIONE PIANA
48	81870818	1	193T	TUBE	TUBO RIGIDO
49	87800187	1	193T	TUBE	TUBO RIGIDO
50	83976351	1	75B	CONNECTOR	MORSETTO
51	81869613	1	193T	TUBE	TUBO RIGIDO
52	83999194	1	193T	TUBE	TUBO RIGIDO
53	83933675	1	50T	PLUG MANIFOLD HT	TAPPO MANIFOLD HT
54	81872307	1	231S	CLIP	STAFFETTA
55	81820799	1	122G	SEAL	GUARNIZIONE
56	83925618	2	40V	SCREW	VITE
57	83955185	6	75D	SPACER	DISTANZIALE
58	81811964	1	30M	SLEEVE	MANICOTTO

## FUEL SEDIMENT FILTER

ITEM	PART NUMBER	QTY	TR CO	DESCRIPTION	DESCRIZIONE
	81871476	1	216P	SEPARATOR	
01	81871477	1	265C	COVER	COPERCHIO
02	81825363	1	131R	WASHER NONFERROUS	ROSETTA NONFERROUS
03	81825360	2	40V	SCREW THUMB	VITE THUMB
04	81811884	1	158D	O-RING	GUARNIZIONE O-R
05	81833781	1	131R	WASHER FERROUS	ROSETTA FERROUS
06	81833780	1	40V	SCREW	VITE
07	83900080	1	158D	O-RING	GUARNIZIONE O-R
08	83914036	1	45A	RING	ANELLO
09	81871479	1	20V	BOWL	BOWL
10	81871481	1	184C	STUD	COLONNETTA
11	81871482	1	21B	BASE	
12	81825363	1	131R	WASHER	ROSETTA
13	83916922	1	106R	ELEMENT INC 14	INC 14
14	81871478	1	106R	ELEMENT	
15	81871480	1	131R	WASHER NONFERROUS	ROSETTA NONFERROUS

## FUEL INJECTION PUMP (LOWER HALF)

ITEM	PART NUMBER	QTY	TR. CO	DESCRIPTION	DESCRIZIONE
57	83982575	1	50T	PLUG	TAPPO
58	83981012	1	30E	SOLENOID INC 59.60	ELETTROMAGNETE INC 59.60
59	81872638	1	100M	SPRING	MOLLA
60	83416161	1	158D	O-RING	GUARNIZIONE O-R
61	83981830	1	94T	TERMINAL	TERMINAL
62	81872640	1	131R	WASHER	ROSETTA
63	81872639	1	40V	SCREW	VITE
64	81811018	1	100M	SPRING	MOLLA
65	81812929	1	122G	SEAL	GUARNIZIONE
66	81873176	1	002K	KIT PUMP	KIT PUMP
67	81873177	1	100M	SPRING	MOLLA
68	83982580	1	130P	PLUNGER	PISTONCINO
69	81810928	1	100M	SPRING	MOLLA
70	81811019	1	65F	FILTER	FILTRO
71	83416164	1	158D	O-RING	GUARNIZIONE O-R
72	83982610	1	75B	CONNECTOR	MORSETTO
73	81810932	1	120G	GASKET	GUARNIZIONE PIANA
74	81873163	1	500A	HOUSING	HOUSING
75	83982421	1	184C	STUD	COLONNETTA
76	81811894	1	10D	NUT	DADO
77	81813686	2	158D	O-RING	GUARNIZIONE O-R
78	83982437	1	131R	WASHER	ROSETTA
79	83982122	1	20R	FITTING	RACCORDO
80	83982120	1	140S	BALL	SFERA
81	81812975	2	158D	O-RING	GUARNIZIONE O-R
82	81873164	1	50T	PLUG	TAPPO
83	83982443	1	100M	SPRING	MOLLA
84	83982545	1	45A	RING	ANELLO
85	83982524	1	105P	PLATE	PIASTRA
86	83982486	1	100M	SPRING	MOLLA
87	83982482	1	100M	SPRING	MOLLA
88	81873172	1	198S	SHIM	SPESSORE
	83903047	1	198S	SHIM	SPESSORE
	83903045	1	198S	SHIM 20 MM	SPESSORE 20 MM
	83903046	1	198S	SHIM 5 MM	SPESSORE 5 MM
89	81873169	1	002K	KIT PUMP INC 90, 91	KIT PUMP INC 90, 91
90	81833911	1	131R	WASHER	ROSETTA
91	81827349	1	40V	SCREW	VITE

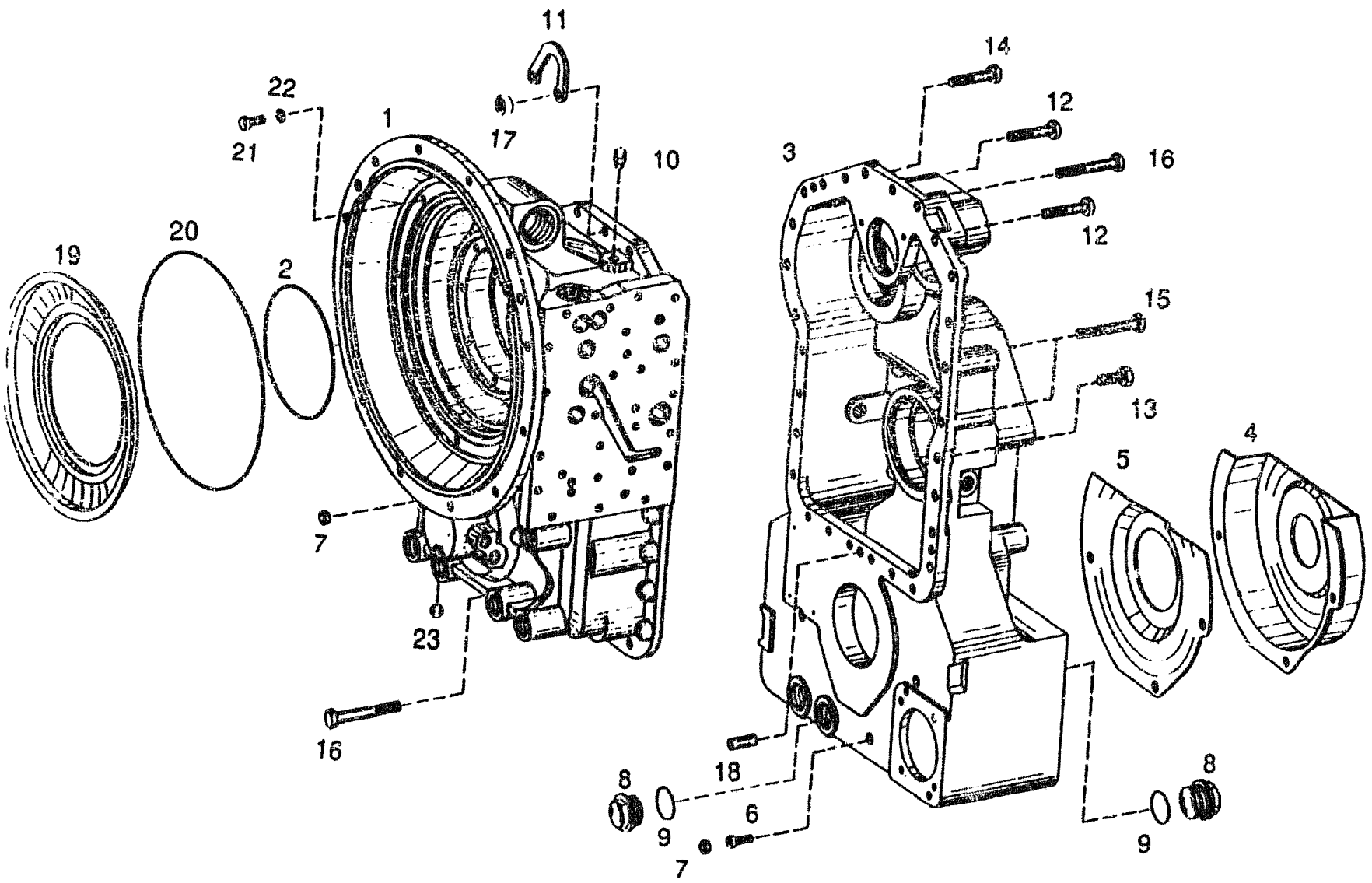
## COLD WEATHER STARTING AID

ITEM	PART NUMBER	QTY	TR CO	DESCRIPTION	DESCRIZIONE
01	73161394	1	204	COLD WEATHER STARTING AID	AVVIAMENTO A FREDDO
01A	70927541	2	40V	SCREW 1/4NCX3/4	VITE 1/4NCX3/4
01B	70928190	2	131R	WASHER	ROSETTA
01C	70900365	2	10D	NUT 1/4NC	DADO 1/4NC
02	73121066	1	148P	NOZZLE	POLVERIZZATORE
03	73157715	1	60F	WIRE	FILO
04		1	210C	SWTCH F401(1)	COMMUTATORE F401(1)
05	70923164	1	20C	CAP	CALOTTA

**ENGINE OIL COOLER PIPING**

ITEM	PART NUMBER	QTY	TR CO	DESCRIPTION	DESCRIZIONE
01	83417056	4	31F	CLAMP	FASCETTA
02	83933061	3	14B	STRAP	BANDELLA
03	87800197	1	285T	HOSE	TUBO FLESSIBILE
04	87800198	1	285T	HOSE	TUBO FLESSIBILE
05	87800411	1	55T	ADAPTER	
06	82894853	1	28N	NIPPLE	NIPPLO
07	70925599	1	16R	TEE	
07A	73157591	1	160T	SENDING UNIT	TRASMETTITORE
07B	70917352	1	95B	BUSHING	BOCCOLA
08	82894853	1	28N	NIPPLE	NIPPLO

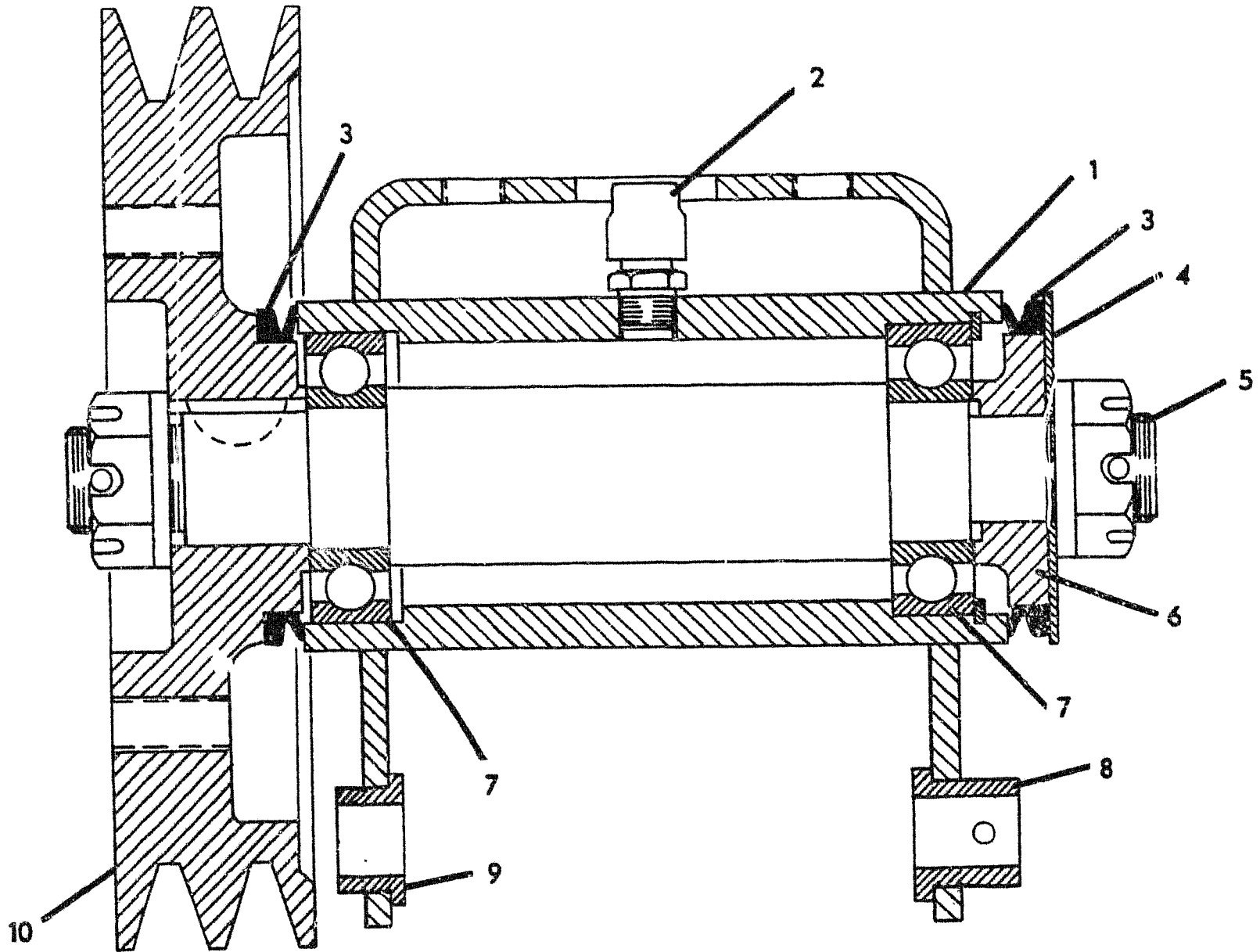
TRANSMISSION HOUSING



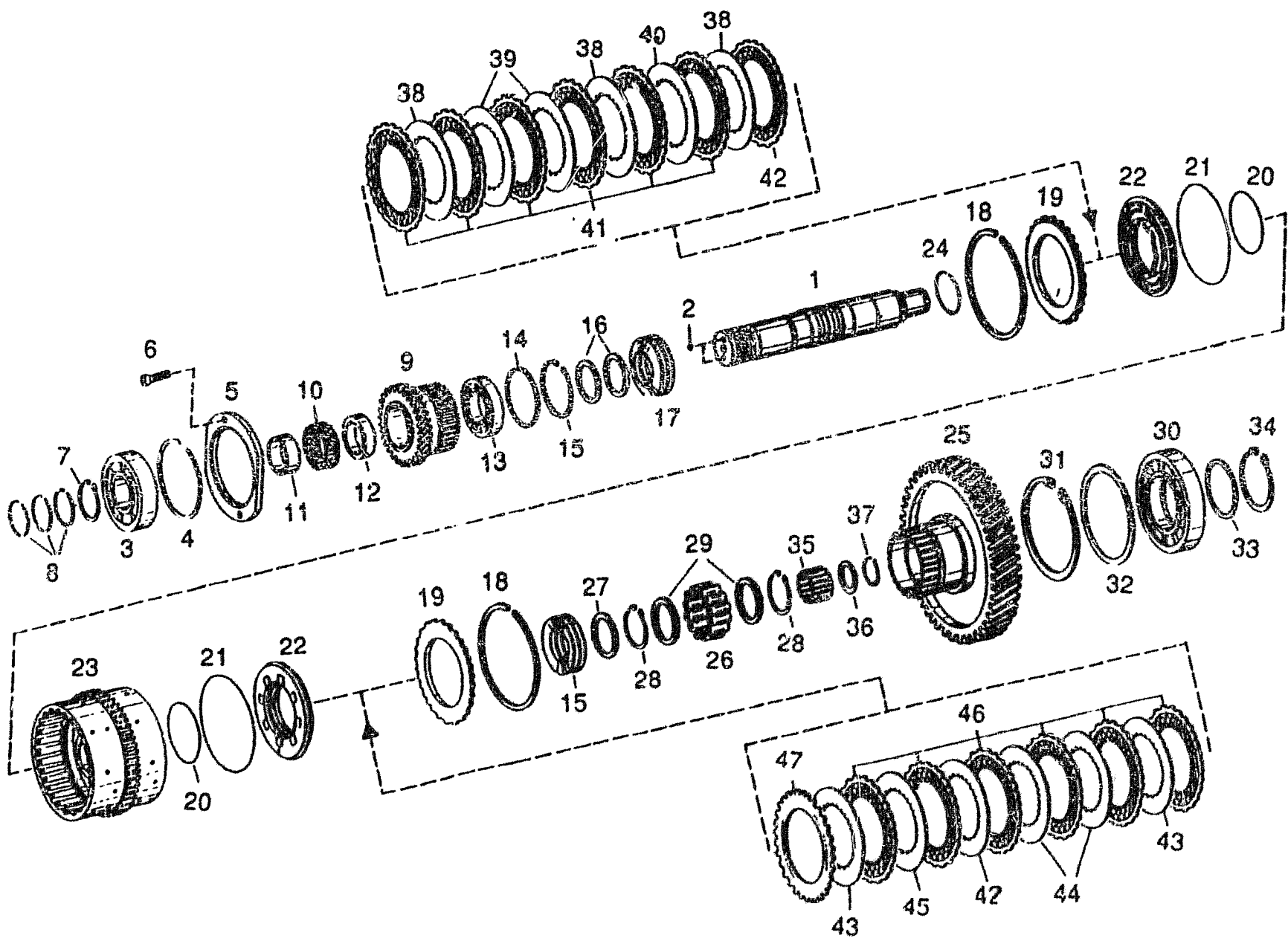
A409

TAV 4

IDLER ASSEMBLY 73157752



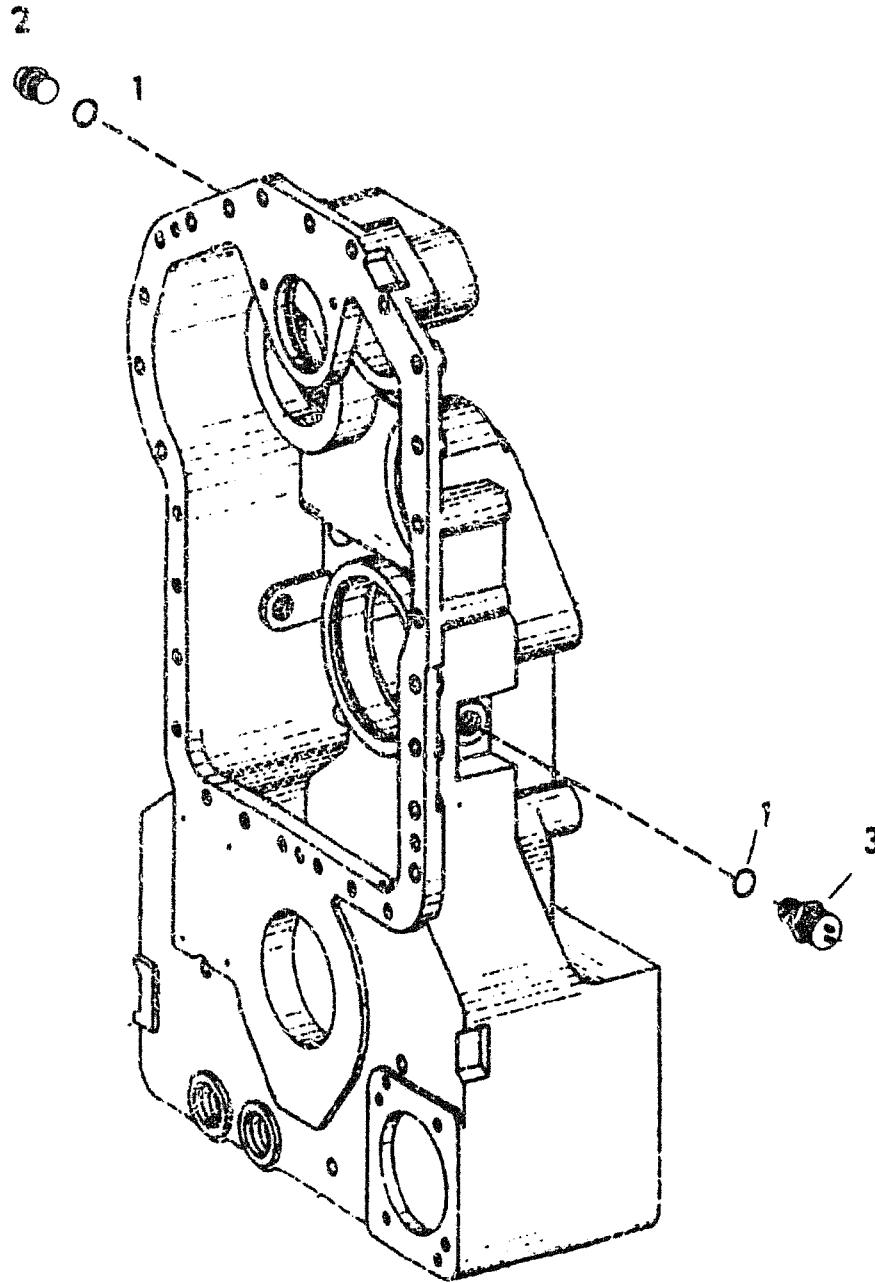
TRANSMISSION CLUTCH KAKS



B200

TAV 16

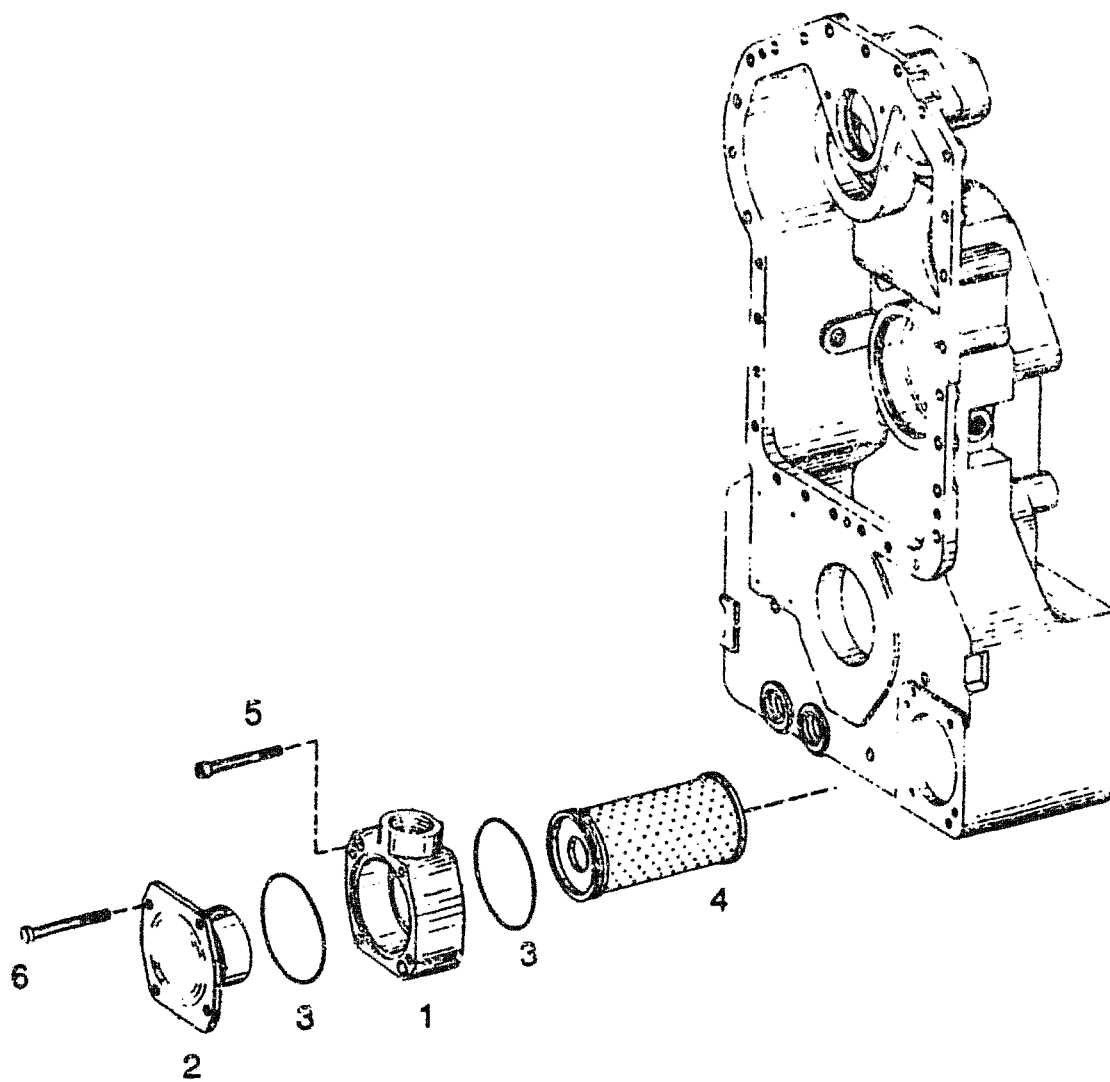
TRANSMISSION SPEEDOMETER SWITCH



B200

TAV 11

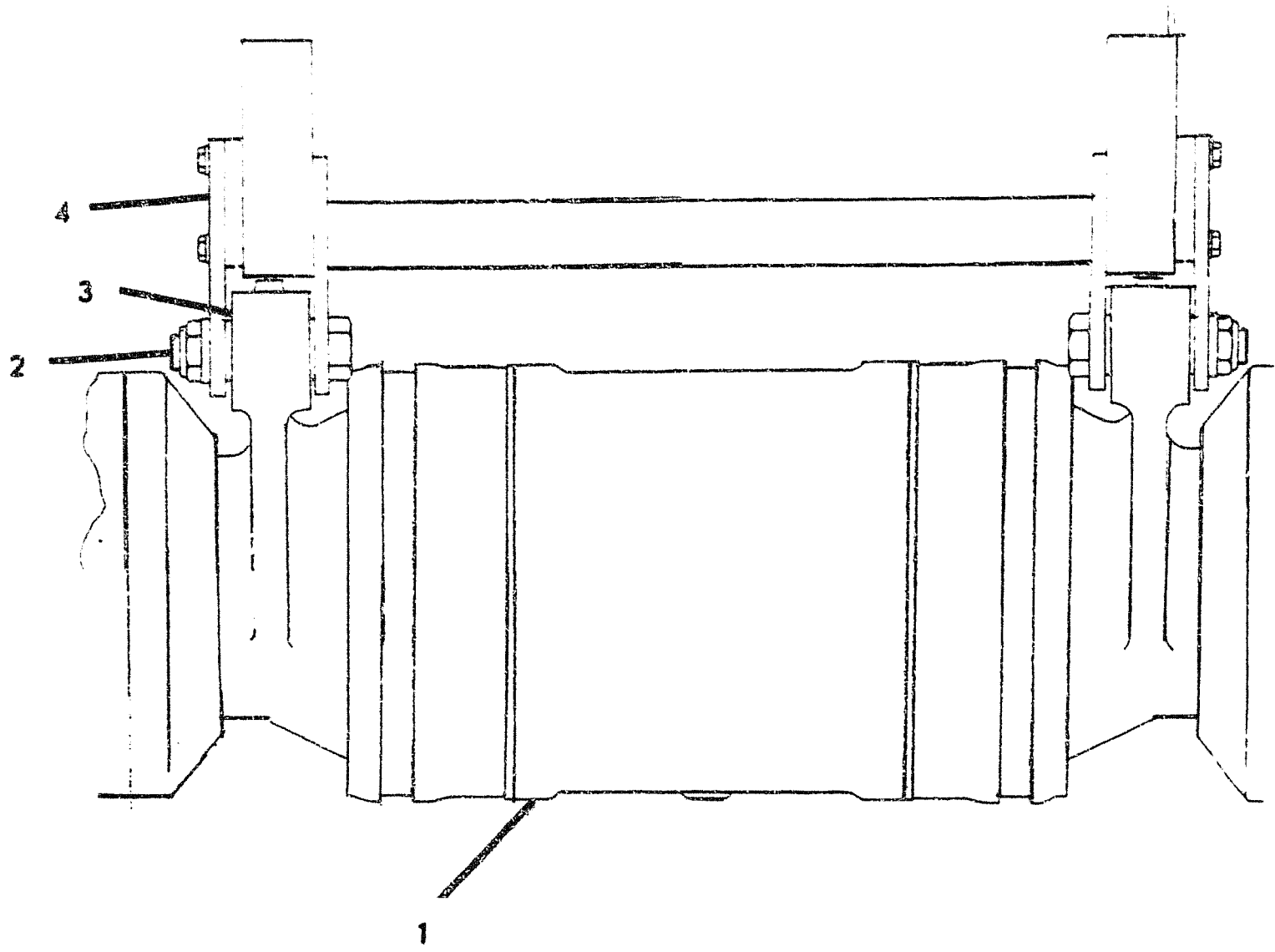
TRANSMISSION FILTER



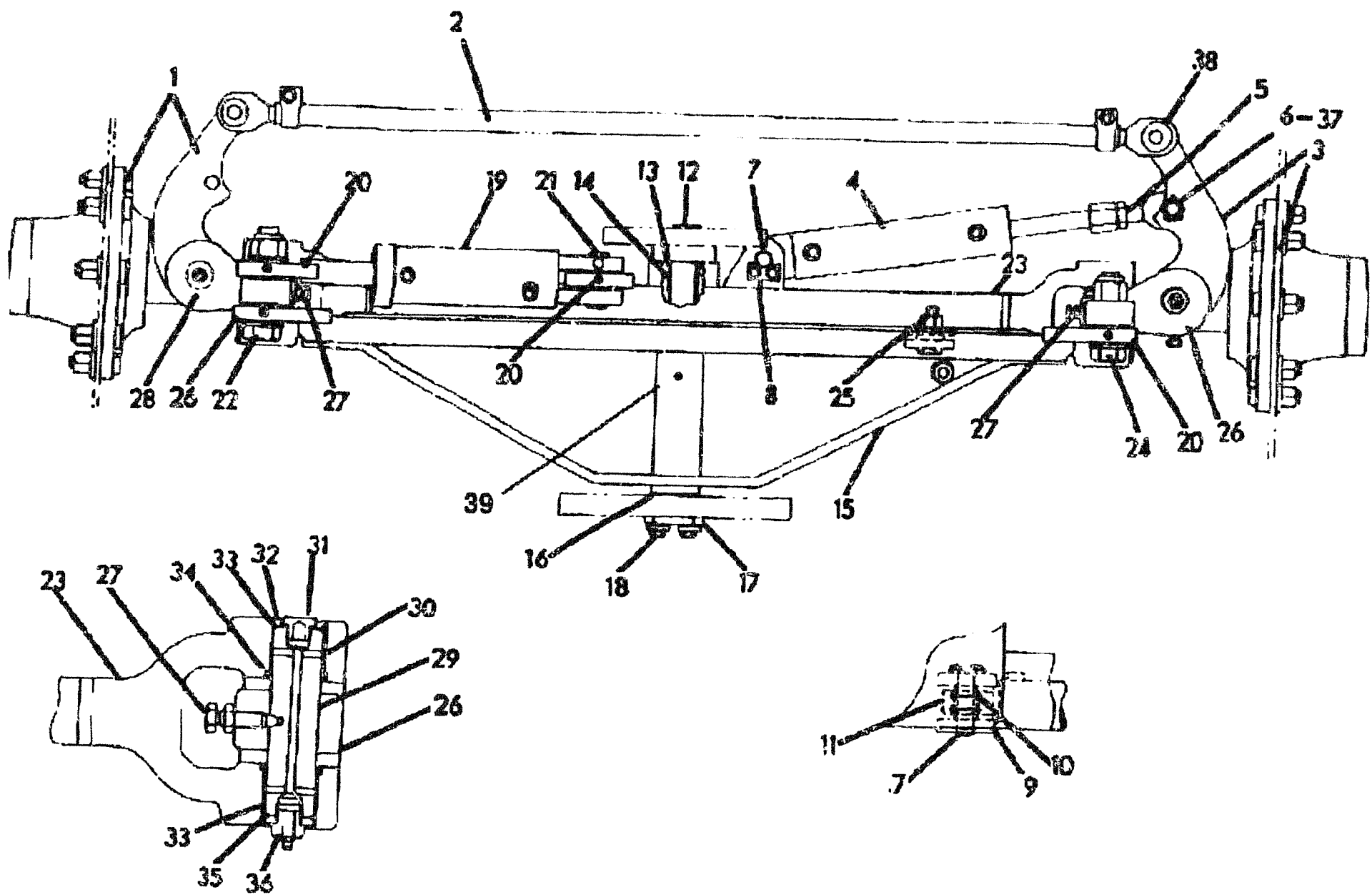
B403

TAV 1

REAR AXLE MOUNTING



FRONT AXLE



CLICK HERE TO **DOWNLOAD** THE COMPLETE MANUAL

- Thank you very much for reading the preview of the manual.
- You can download the complete manual from: [www.heydownloads.com](http://www.heydownloads.com) by clicking the link below



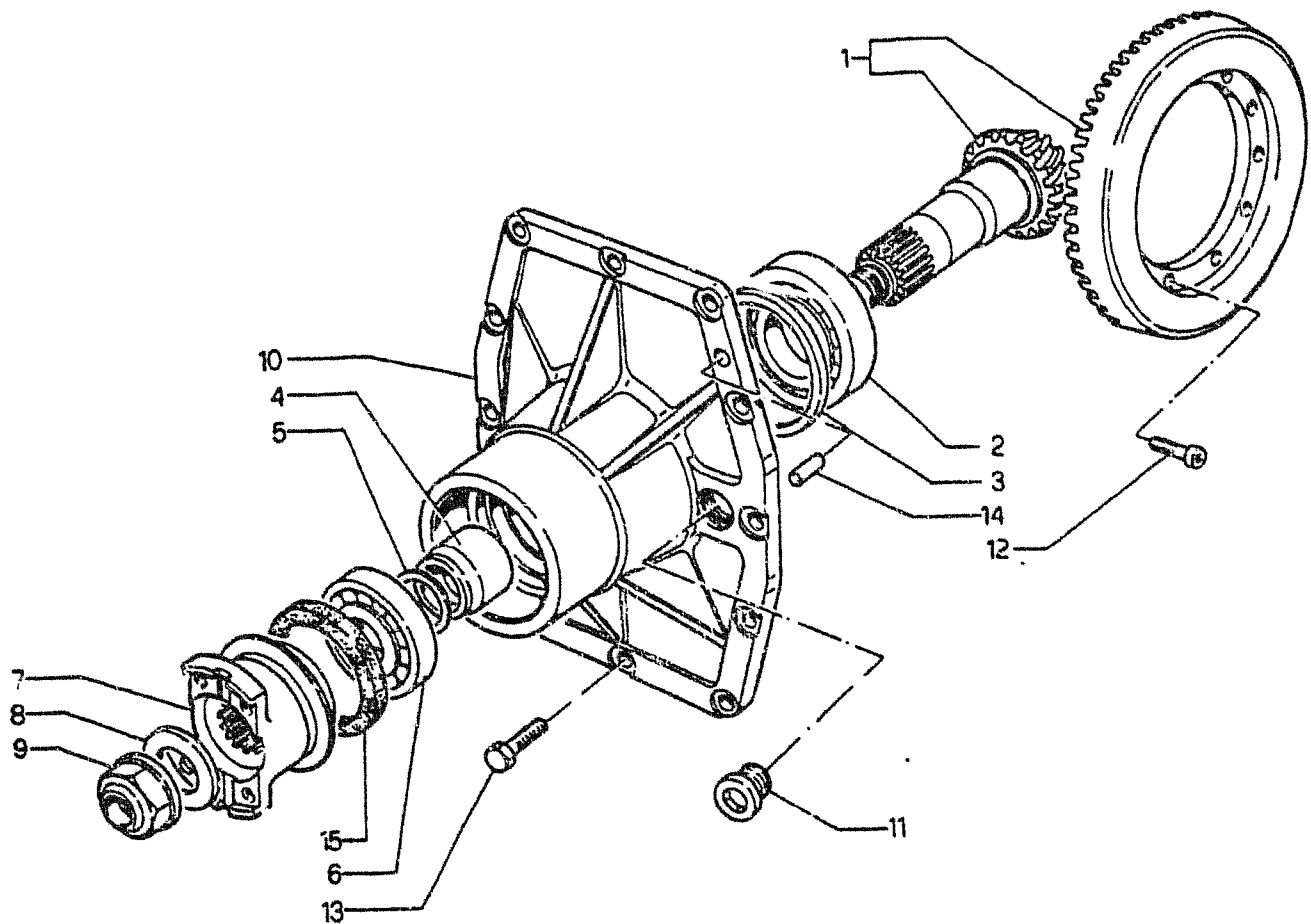
- Please note: If there is no response to CLICKING the link, please download this PDF first and then click on it.

CLICK HERE TO **DOWNLOAD** THE COMPLETE MANUAL

B200

TAV 7

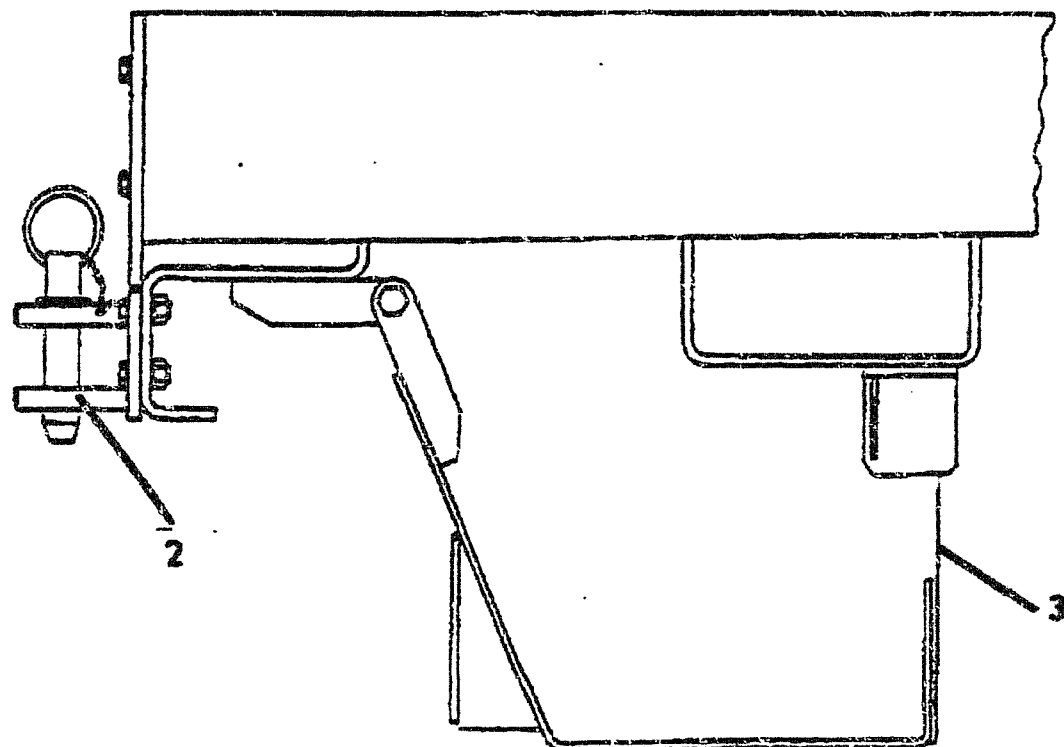
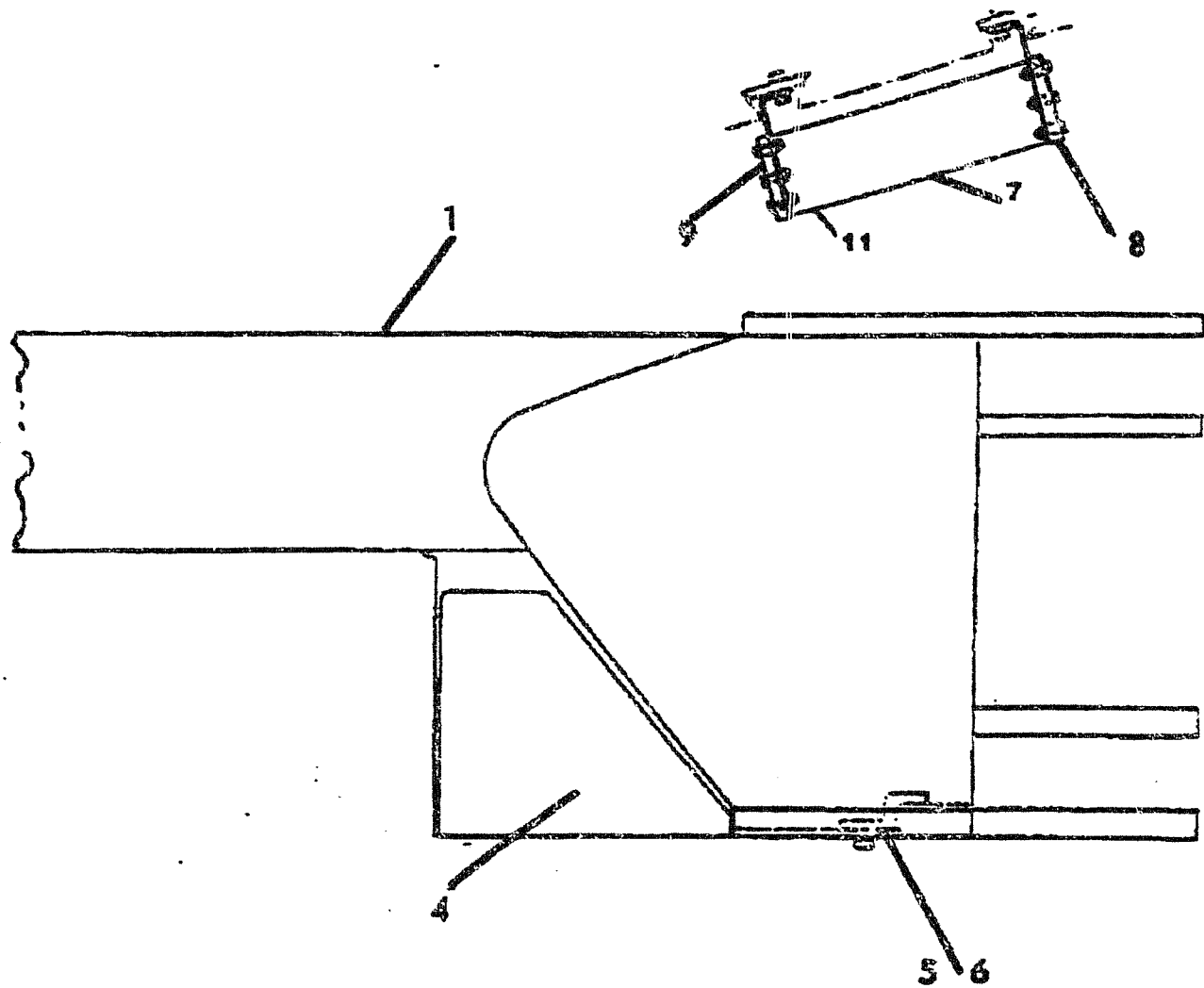
REAR AXLE PINION SUPPORT



D101

TAV 1

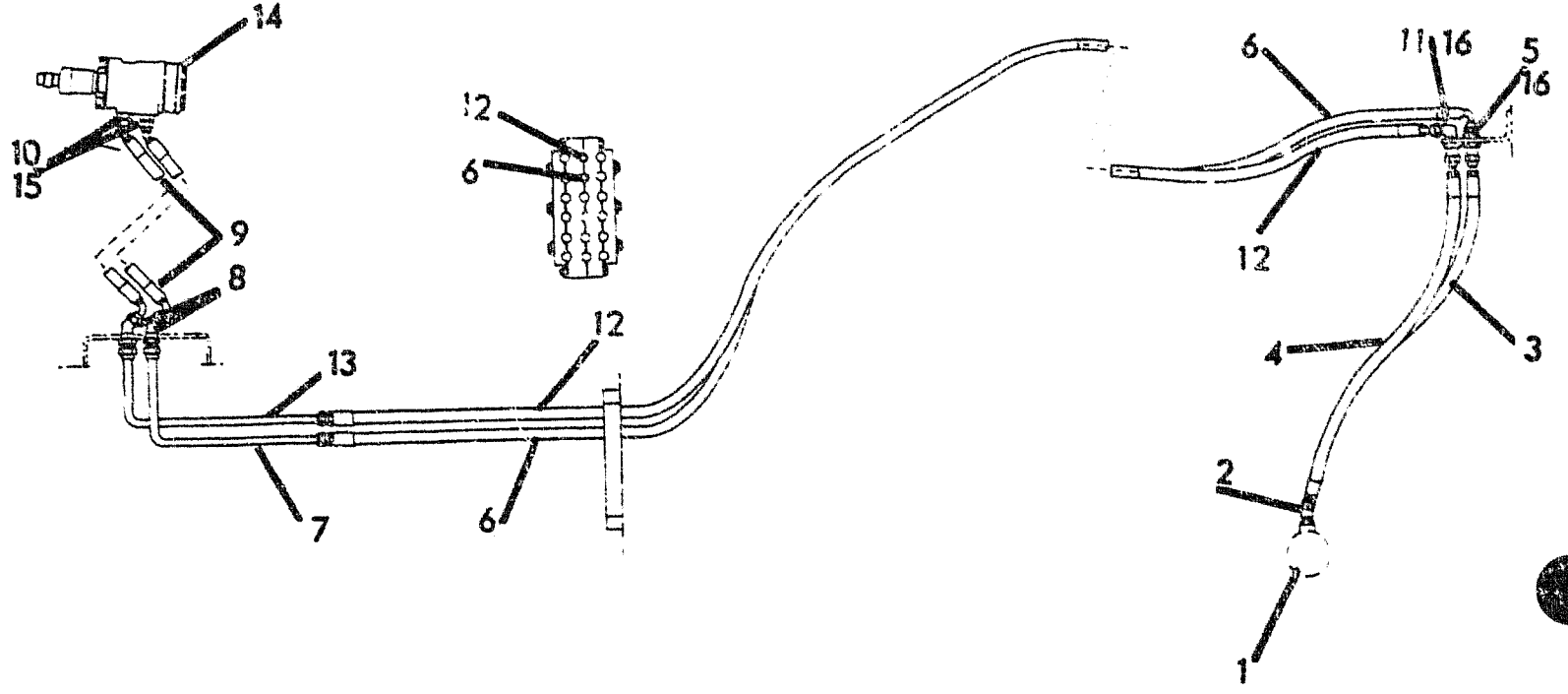
REAR FRAME



D211

TAV 2

STEERING CONTROL & LINES (VALVE TO CYLINDER)



D316

TAV.3

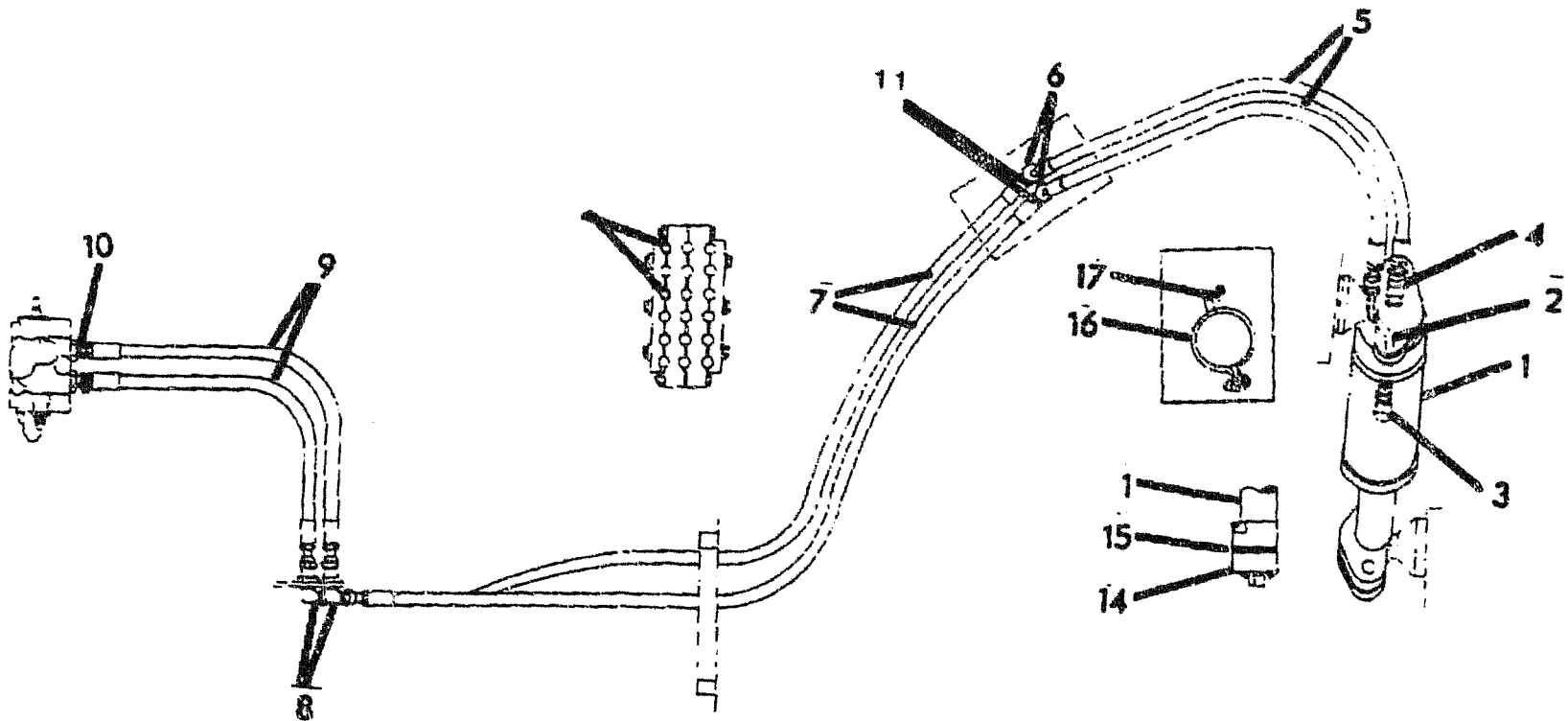
**TIRE & RIM**

ITEM	PART NUMBER	QTY	TR CO	DESCRIPTION	DESCRIZIONE
01		6	147P	TIRE 15 00X19 5	PNEUMATICO 15.00X19 5
02	70096481	6	10V	VALVE	VALVOLA
03	73156307	6	135C	RIM	CERCHIO RUOTA

E302

TAV 2

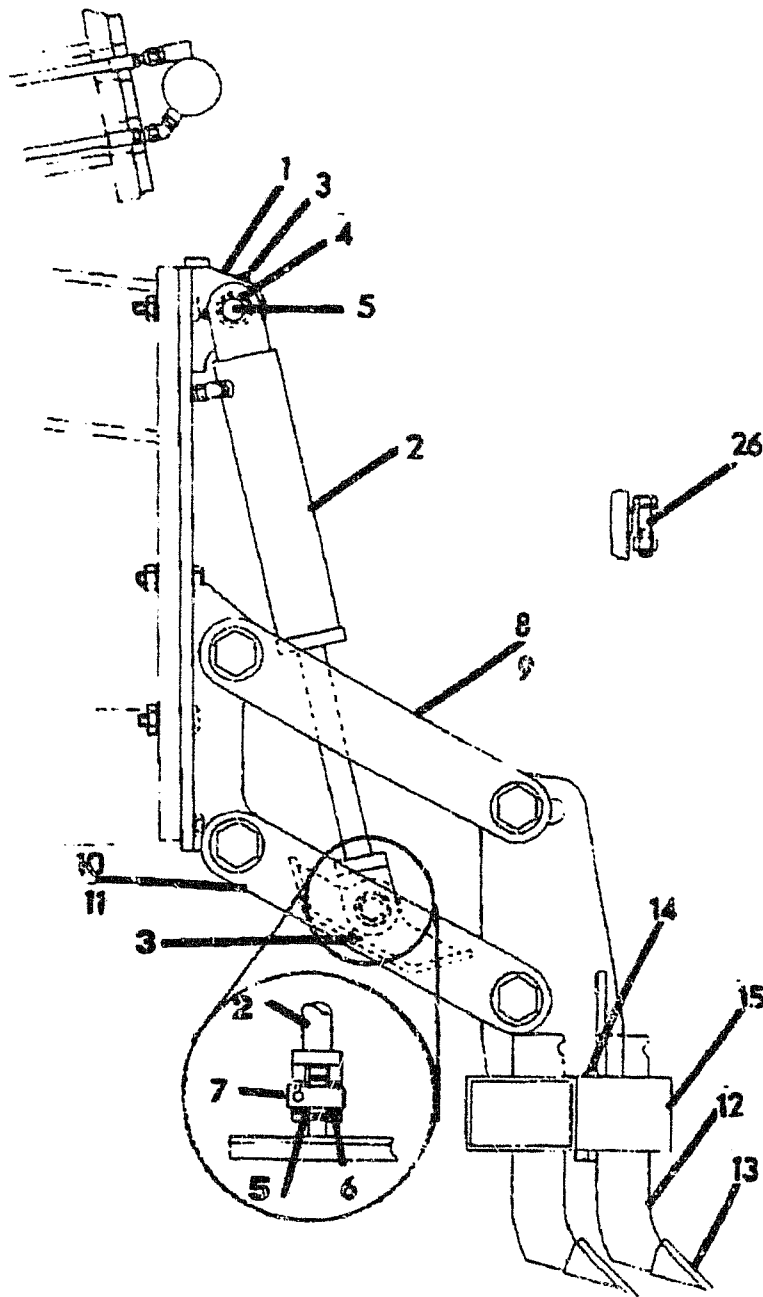
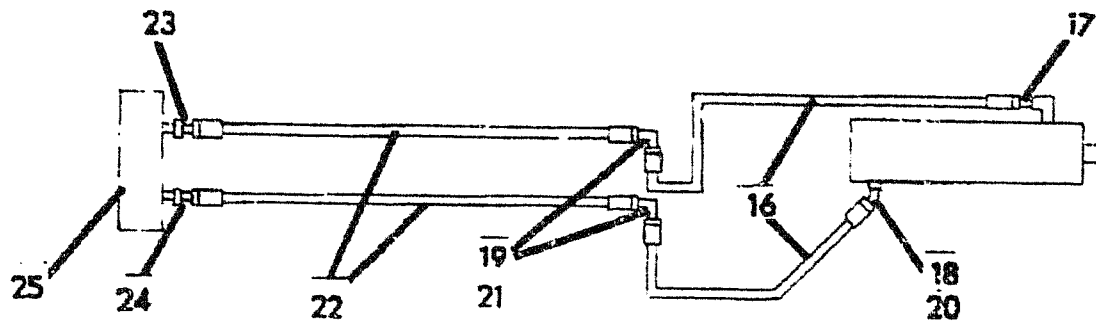
CIRCLE SIDE SHIFT PIPING



E302

TAV 8

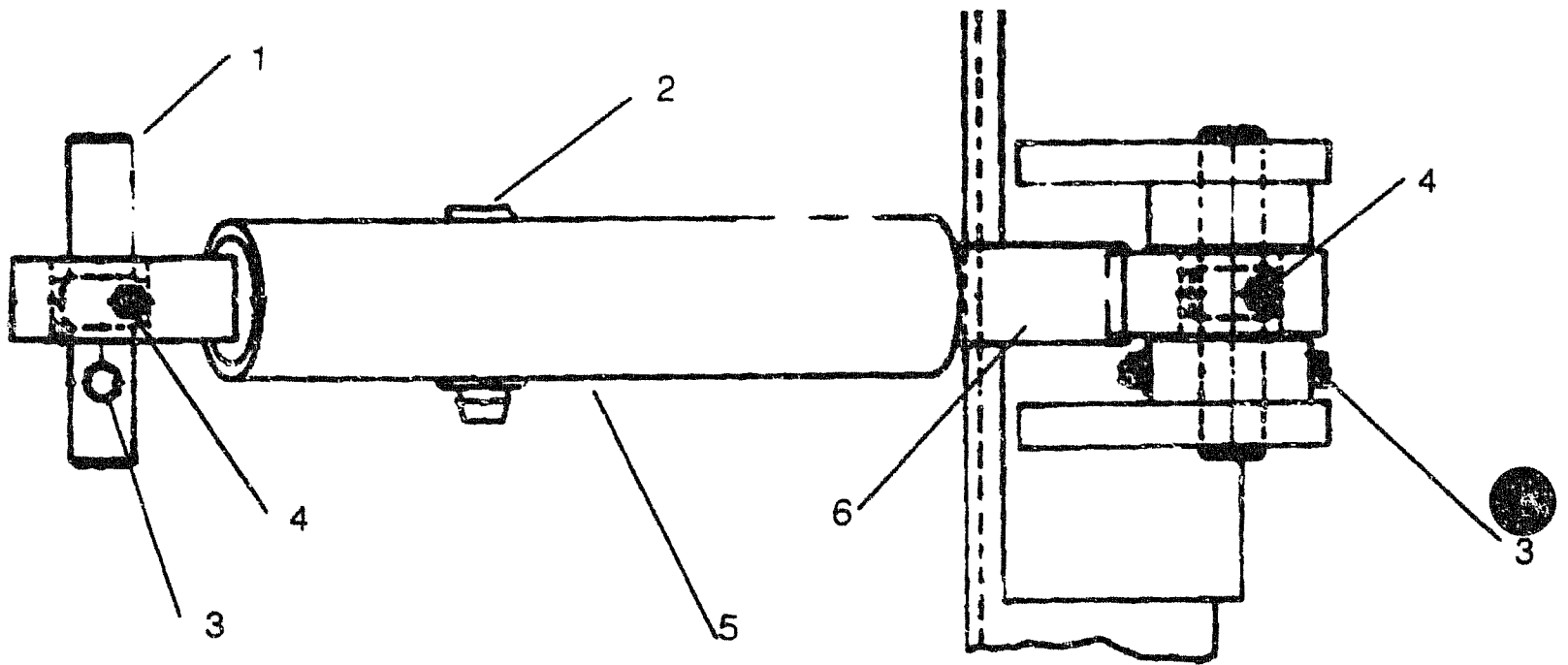
SCARIFIER MOUNT & PIPING



E302

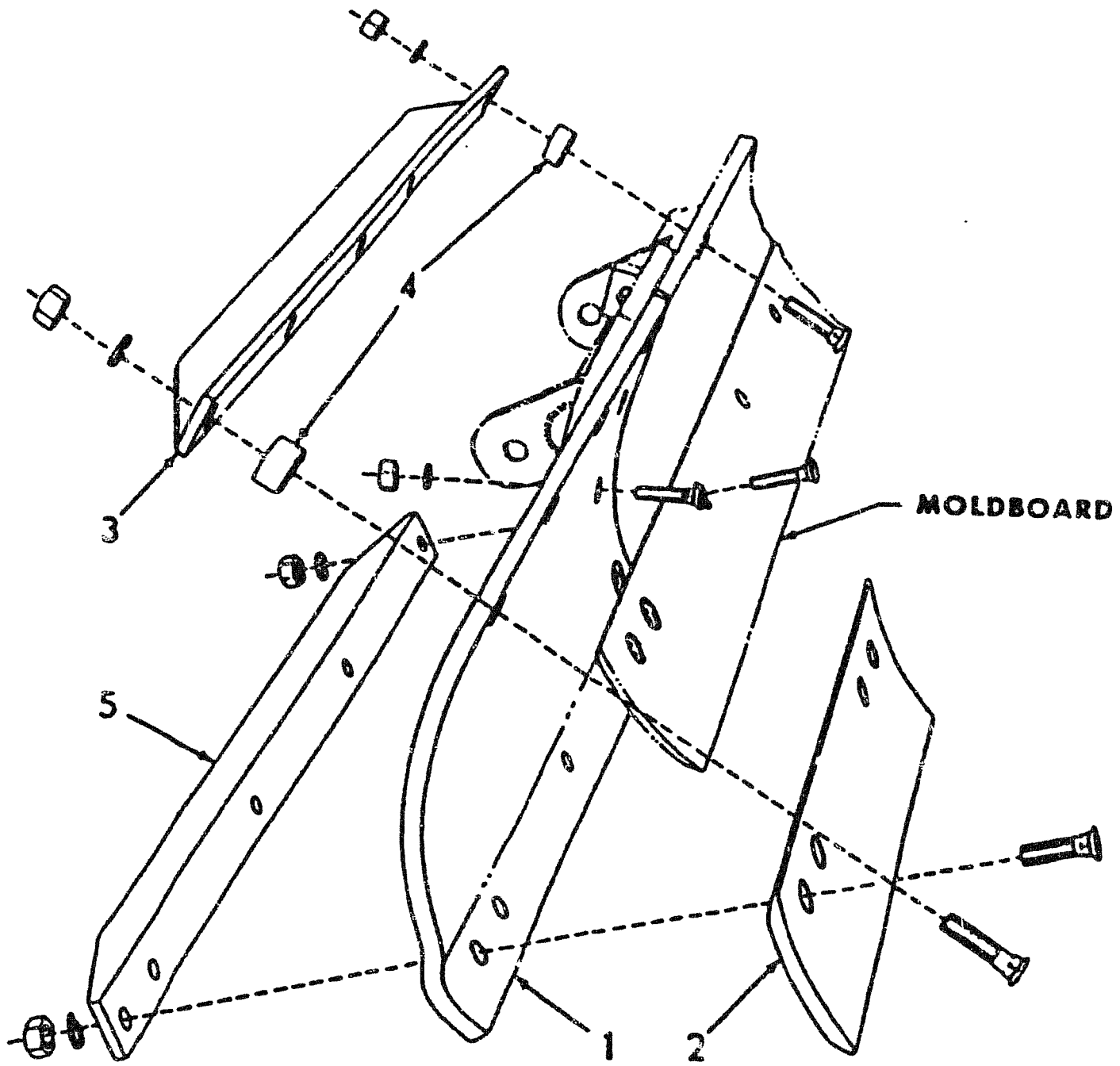
TAV 13

MECHANICAL MOLDBOARD PITCH



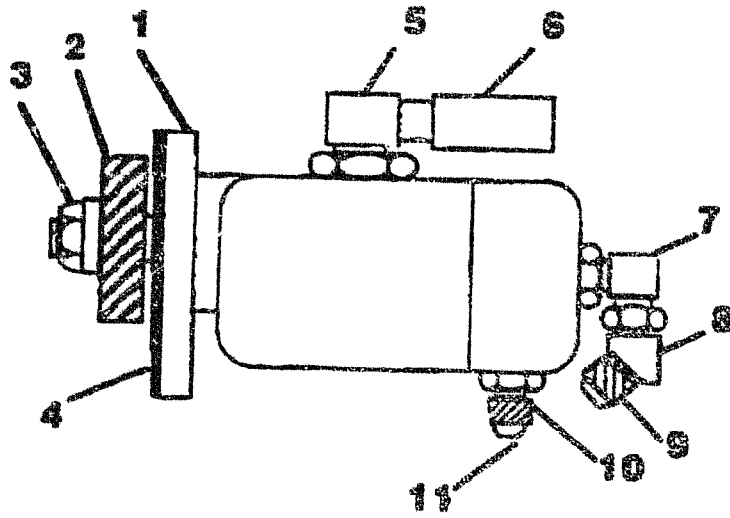
E313/1 TAV 1

MOLDBOARD EXTENSIONS



E329/1 TAV 1

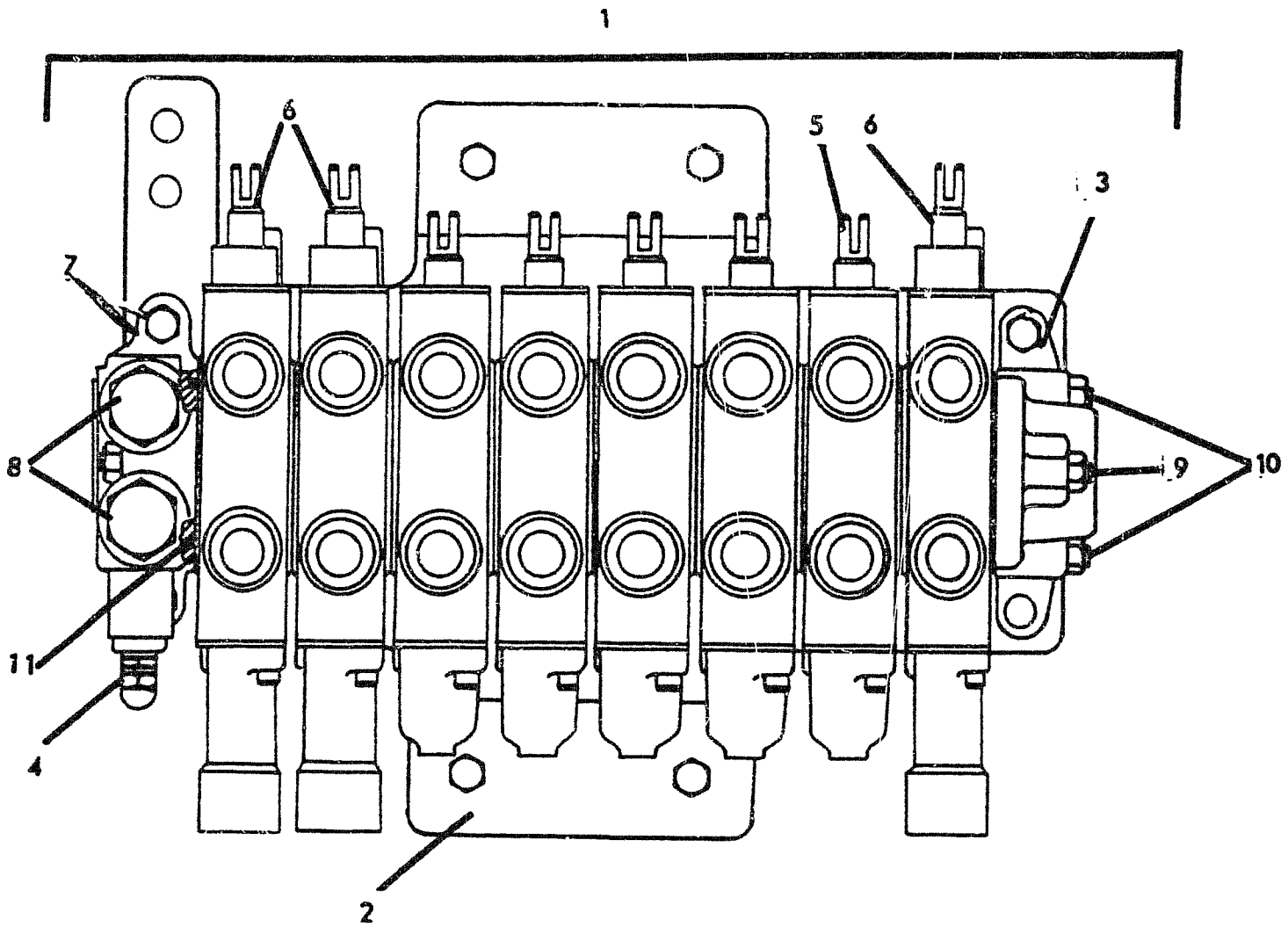
IMPLEMENT PUMP S/N 5099 & UP



PUMP 73162383 EFF.  
S/N 5099 & UP

E331/1 TAV 1

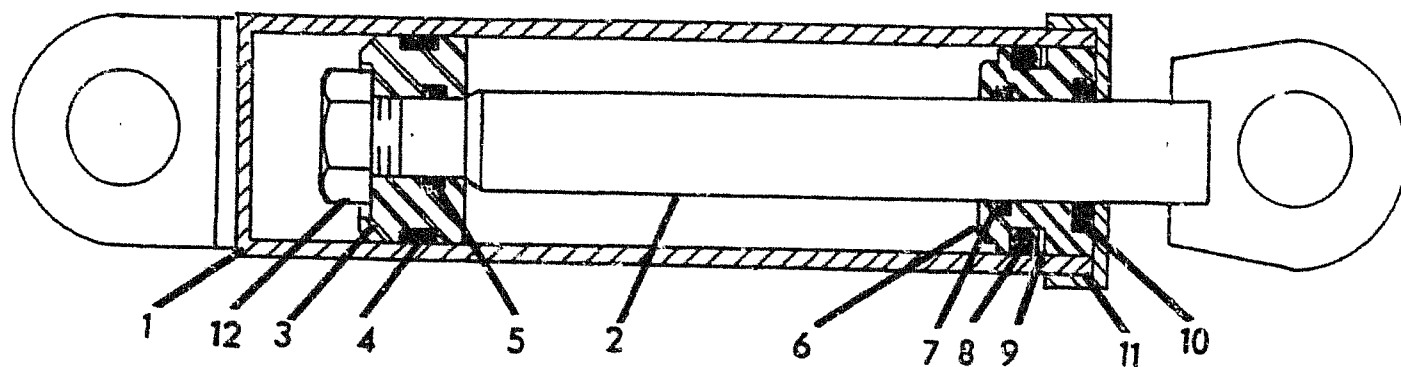
IMPLEMENT CONTROL VALVE & MOUNT



E332

TAV 4

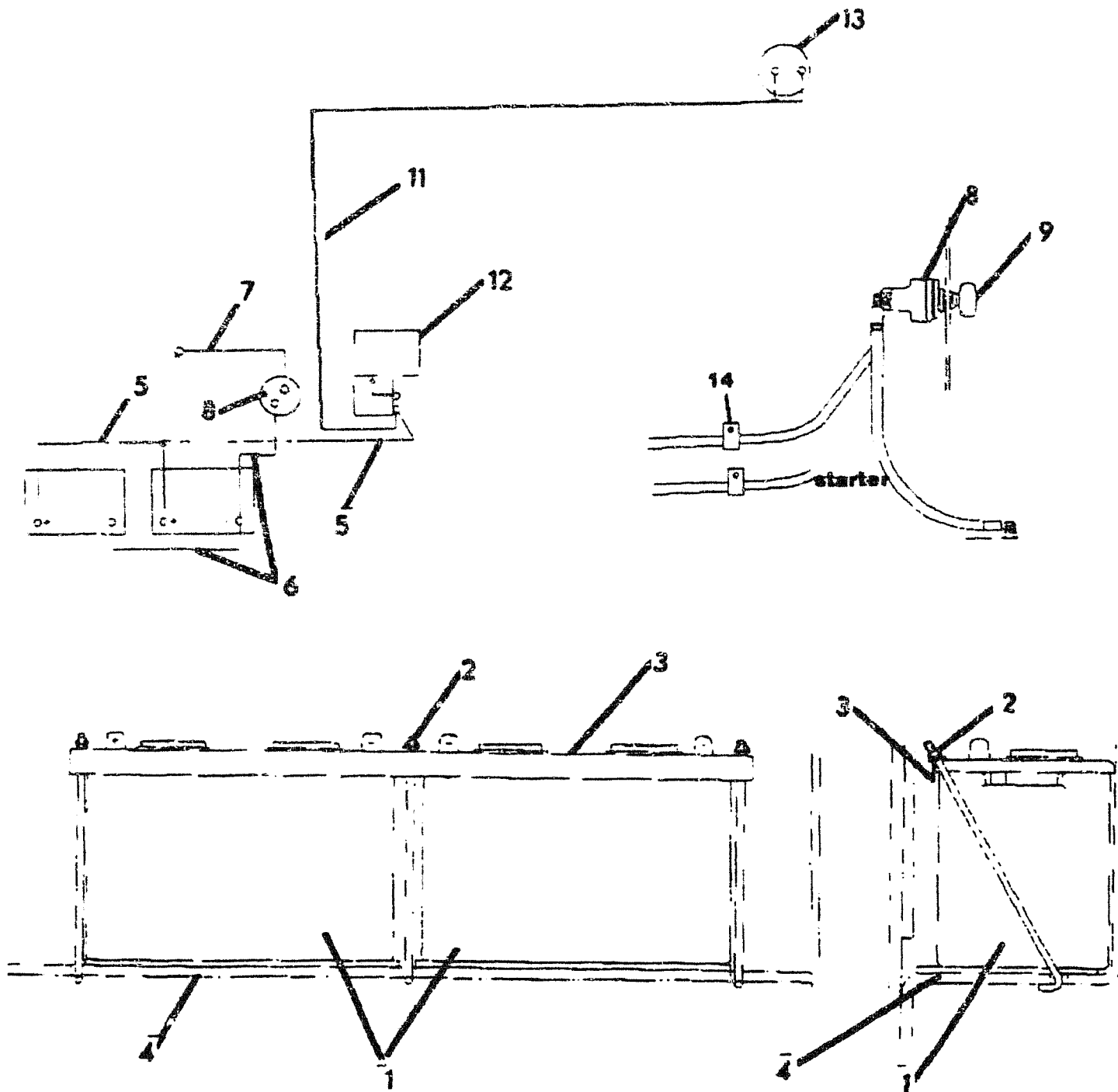
ARTICULATION CYLINDER



F301

TAV 1

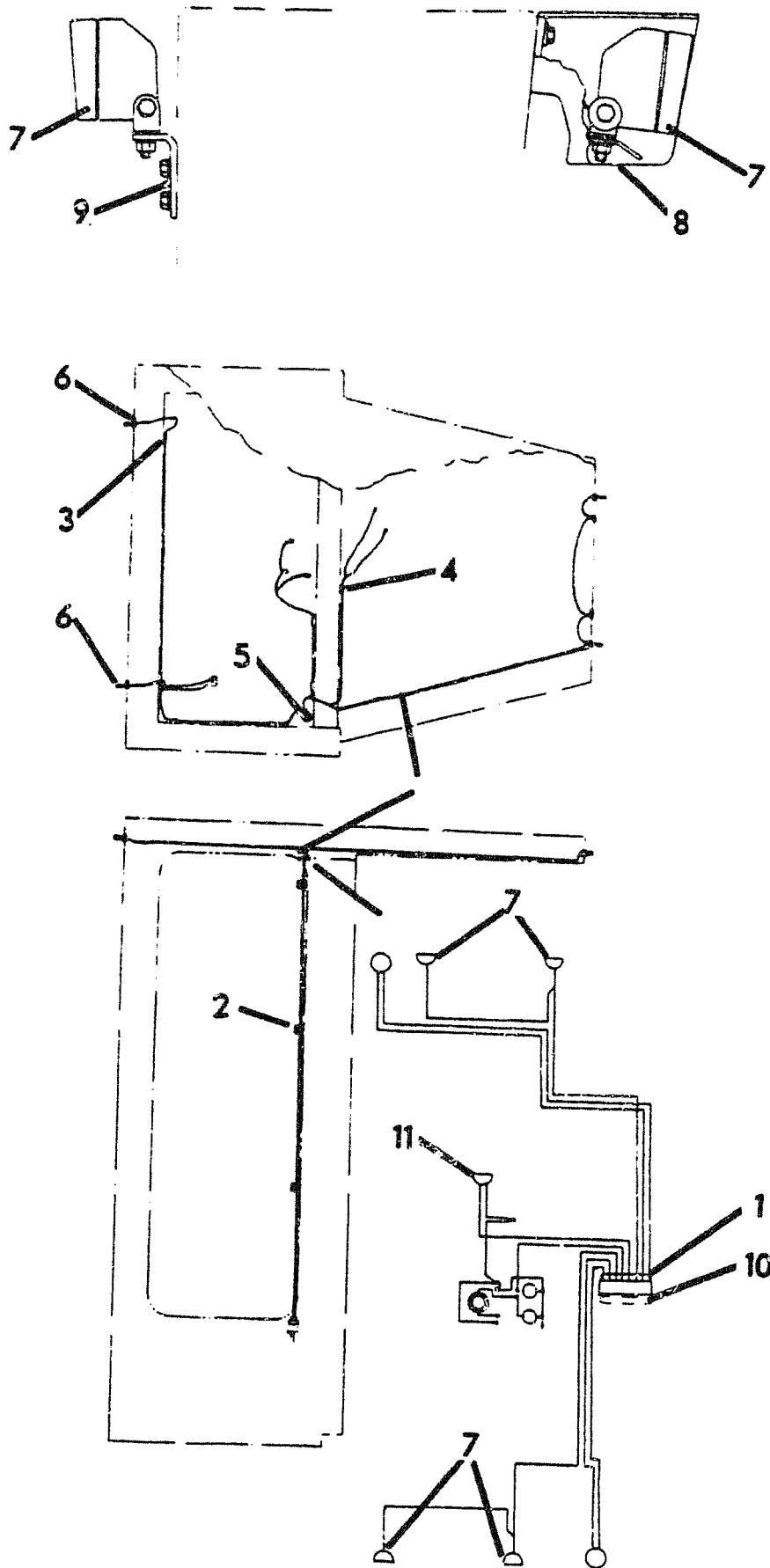
BATTERIES & CABLES



F401

TAV 2

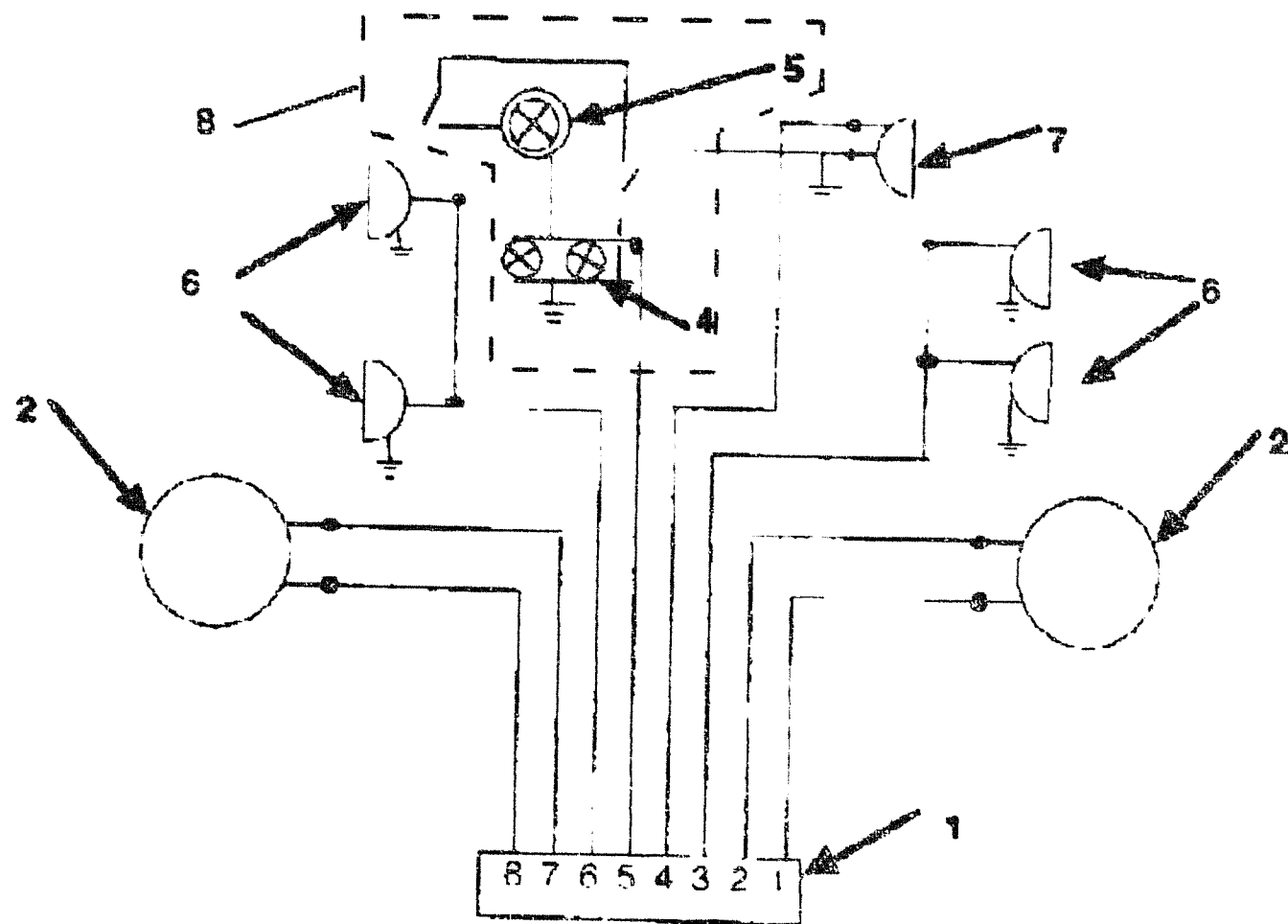
ROLLOVER PROTECTION FRAME WIRING



F401

TAV 7

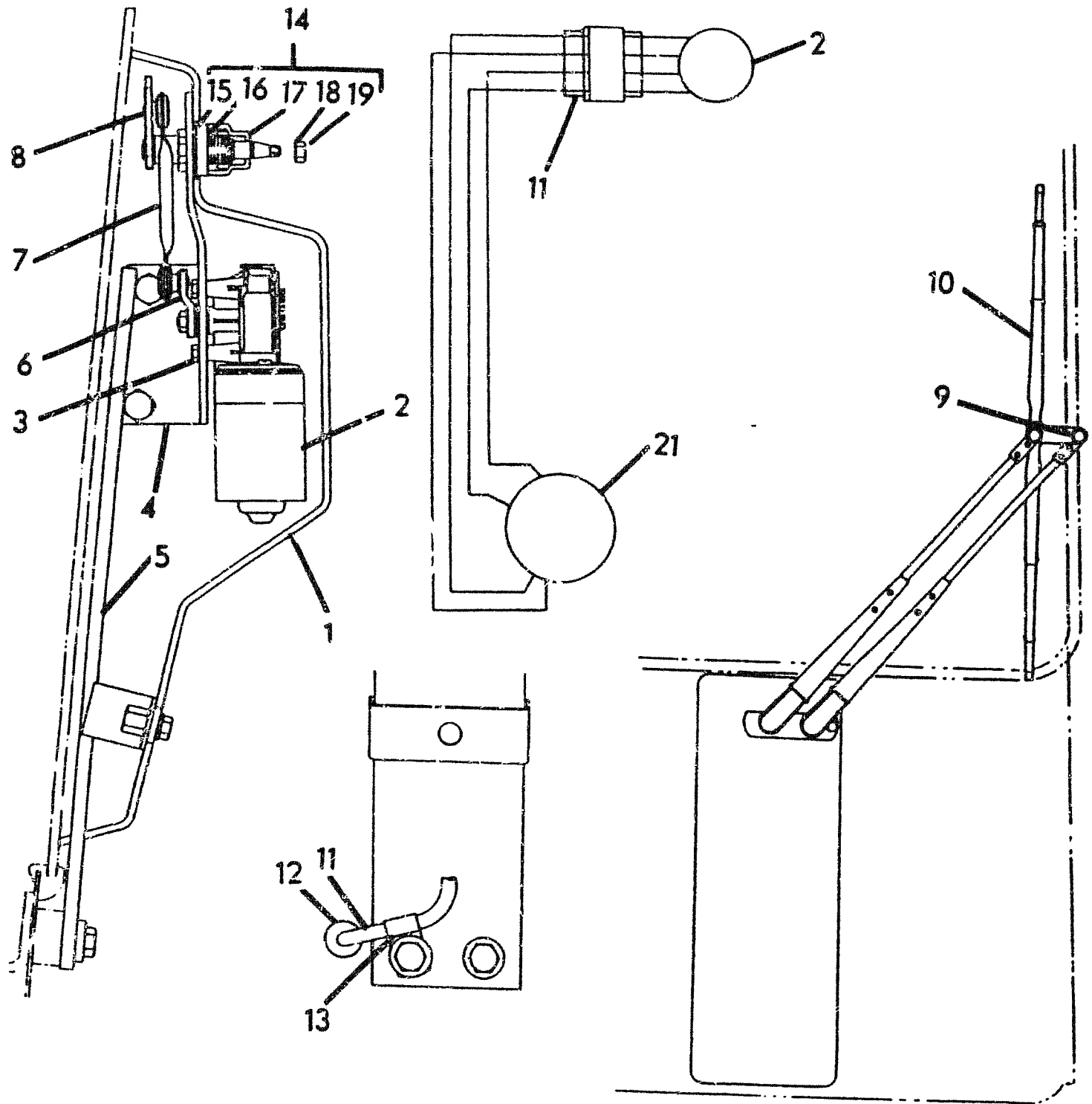
CAB LIGHTS, DEFROSTER AND WIRING



F505

TAV 1

FRONT WINDSHIELD WIPER



**MACHINE SIGNS**

ITEM	PART NUMBER	QTY	TR CO	DESCRIPTION	DESCRIZIONE
01	73162416	2	65T	DECAL SIGNATURE	TARGA SIGNATURE
02	73162717	1	65T	DECAL FLAG L H	TARGA FLAG L H
03	73162718	1	65T	DECAL FLAG R H	TARGA FLAG R H
04	73162419	1	65T	DECAL TRADEMARK	TARGA TRADEMARK
05	73162415	2	65T	DECAL MODEL	TARGA MODEL
06	73162414	1	65T	DECAL REAR	TARGA REAR

## CAB DOORS

ITEM	PART NUMBER	QTY	TR CO	DESCRIPTION	DESCRIZIONE
19	70922262	2	40V	SCREW 3/8NCX7/8	VITE 3/8NCX7/8
19A	70916950	21	10D	NUT 3/8NC	DADO 3/8NC
20	73125849	2	341C	BEARING	CUSCINETTO
21	73162562	2	120S	LOCK	SERRATURA
21A	73162563	1	10E	CAM	ECCENTRICO
21B	73162662	1	150C	KEY	CHIAVE
22	73162564	2	20C	CAP	CALOTTA
23	73158053	2	315C	GLASS L104 (5)	CRISTALLO L104 (5)
24	73117623		122G	SEAL 10MAS REQUI	GUARNIZIONE 10MAS REQUI
25	73158623	2	20M	HANDLE	MANIGLIA
26	73158624	1	225S	BRACKET RIGHT	STAFFA RIGHT
26A	73158625	1	225S	BRACKET LEFT	STAFFA LEFT
26B	70922262	4	40V	SCREW 3/8NCX7/8	VITE 3/8NCX7/8
26C	70677006	4	131R	WASHER	ROSETTA
27	70916004	2	200S	PIN	SPINA
28	79073382	2	120S	LOCK HOLD BACK	SERRATURA HOLD BACK
28A	70921382	4	40V	SCREW 1/4NCX1 1/4	VITE 1/4NCX1 1/4
28B	70918264	4	131R	WASHER	ROSETTA
28C	70911024	4	10D	NUT 1/4NC	DADO 1/4NC

CLICK HERE TO **DOWNLOAD** THE COMPLETE MANUAL

- Thank you very much for reading the preview of the manual.
- You can download the complete manual from: [www.heydownloads.com](http://www.heydownloads.com) by clicking the link below



- Please note: If there is no response to CLICKING the link, please download this PDF first and then click on it.

CLICK HERE TO **DOWNLOAD** THE COMPLETE MANUAL