

| DESCRIPTION | SBGRP | TAV | GRID | DESCRIPTION | SBGRP | TAV | GRID |
|---|---------|-----|------|---|---------|-----|------|
| AIR PRECLEANER FORESTRY & SANITATION) | 0.1550 | 5 | B7 | INSTRUMENT PANEL & MOUNTING | 95.6521 | | D4 |
| AIR PRECLEANER (FORESTRY & SANITATION) | 0.1550 | 4 | B- | INSTRUMENT PANEL GAUGES & WIRING | 96.7351 | | D10 |
| ALTERNATOR & MOUNTING (50 AMP) | 0.0400 | 3 | B- | | | | |
| ALTERNATOR MOUNT "S/N 0626, 060627 & 060629" | 0.0350 | 2 | A15 | MAIN FRAME | 3.4610 | 1 | B12 |
| ALTERNATOR (50 AMP) | 0.0400 | 4 | B- | | | | |
| BOTTOM GUARDS H.D. | 95.6460 | 1 | D2 | OPERATOR SEAT | 5.6670 | 1 | C5 |
| C-FRAME GUIDES - FRONT IMPLEMENT | 93.4781 | 1 | C16 | PAINTING AND MARKING | 2 | | A9 |
| C-FRAME GUIDES - FRONT IMPLEMENT | 93.4781 | 2 | C17 | RADIATOR ASSEMBLY | 0.1660 | 3 | B9 |
| COLD WEATHER START | 96.7130 | 1A | D6 | RADIATOR ASSEMBLY | 90.1660 | 3 | C10 |
| DAMPER, FLYWHEEL | 0.0084 | 1 | A11 | REAR COUNTERWEIGHT | 90.4640 | 2 | C14 |
| DUAL TILT CYLINDER PIPING | 93.4810 | 7A | D1 | REAR TRANSMISSION - REAR HOUSING | 1.2770 | 2 | B11 |
| ELECTRIC COMPONENTS | 6.7120 | 5 | C8 | REAR TRANSMISSION - REAR HOUSING | 1.2770 | 1 | B10 |
| ENGINE COOLING SYSTEM S/N 060664 | 0.1660 | 1 | B8 | ROPS CAB - STRUCTURE | 95.6520 | 4 | D3 |
| ENGINE PROTECTION SYSTEM | 96.7350 | 2 | D7 | STARTING CABLES | 6.7010 | 3 | C6 |
| FAN "S/N 060626, 060627 & 060629" | 0.1010 | 2 | B5 | STARTING RECEPTACLE | 6.7010 | 4 | C7 |
| FAN DRIVE "S/N 060626, 060627 & 060629" | 0.0345 | 1 | A14 | TRACK CHAIN - SHOES | 92.3481 | 1 | C11 |
| FILTER CARE KITS | 3 | | A10 | TRACK CHAIN SALT - 600mm SHOES | 92.3481 | 3 | C13 |
| FRAME - OPERATORS COMPARTMENT | 5.6450 | 1 | C3 | TRACK CHAIN SALT - 600 mm SHOES | 92.3481 | 2 | C12 |
| FRONT GUARDING | 95.6545 | 1 | D5 | TILT CYLINDER - FRONT IMPLEMENT | 93.4700 | 2 | C15 |
| Gauges Sending Units & Wiring | 96.7352 | | D11 | TOOLS | 96.7690 | 1 | D12 |
| HOOD & GRILLE | 5.6010 | 1 | B13 | TOOLS | 96.7690 | 2 | D13 |
| HOODS | 5.6010 | 2 | B15 | TRADE MARKS "S/N 060626, 060627 & 060629" | 6.7820 | 1 | C9 |
| HOODS | 5.6010 | 3 | C1 | WATER PUMP "S/N 060626, 060627 & 060629" | 0.0320 | 2 | A12 |
| | | | | WATER PUMPBELTS "S/N 060626, 060627 & 060629" | 0.0340 | 1 | A13 |

CLICK HERE TO **DOWNLOAD** THE COMPLETE MANUAL

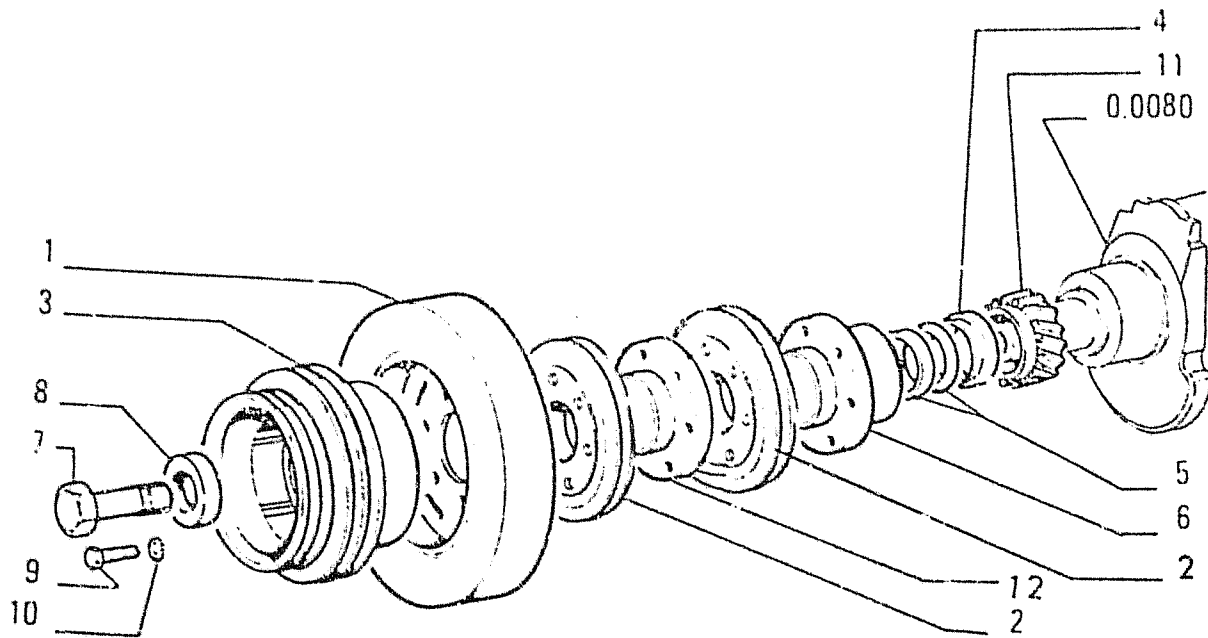
- Thank you very much for reading the preview of the manual.
- You can download the complete manual from: www.heydownloads.com by clicking the link below



- Please note: If there is no response to CLICKING the link, please download this PDF first and then click on it.

CLICK HERE TO **DOWNLOAD** THE COMPLETE MANUAL

FIATALLIS FD14E



| ITEM | PART NO. | QTY. | DESCRIPTION |
|------|----------|------|--------------------|
| 1 | 8831256 | 1 | DAMPER |
| 2 | 4711933 | 2 | PULLEY |
| 3 | 4813558 | 1 | PULLEY |
| 4 | 4711787 | 1 | SPACER |
| 5 | 4811426 | 2 | RING |
| 6 | 4711786 | 1 | HUB |
| 7 | 8823774 | 1 | SCREW |
| 8 | 8823773 | 1 | WASHER |
| 9 | 11288031 | 6 | SCREW |
| 10 | 1198379 | 6 | LOCKWASHER 10.5X20 |
| 11 | 4710645 | 1 | GEAR |
| 12 | 73160521 | 1 | ADAPTER HUB |

FD14E

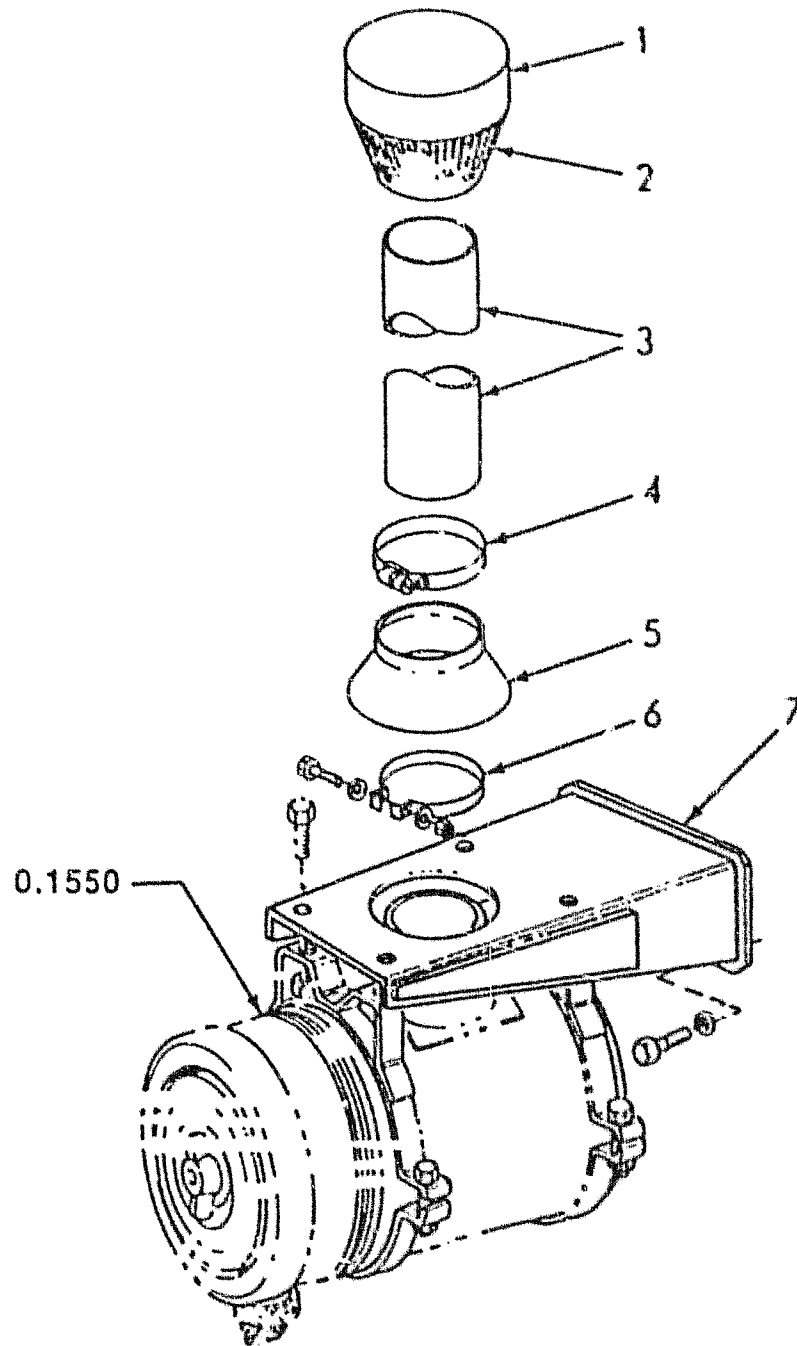
DAMPER

S/N 060626, 060627 & 060629

0.0084

1

ADDED 9/91



T-0759

USAGE: UNITS EQUIPPED FOR FORESTRY OR SANITARY LANDFILL OPERATIONS. PRIOR TO UNIT #60323.

FIATALLIS FD14E

| ITEM | PART NO. | QTY. | DESCRIPTION |
|------|----------|------|-----------------------|
| 1 | 73153925 | 1 | PRECLEANER |
| 2 | 73154057 | 1 | SCREEN |
| 3 | 73153924 | 1 | TUBE |
| 4 | 70921916 | 1 | CLAMP |
| 5 | 79042093 | 1 | SLEEVE |
| 6 | 73043736 | 1 | CLAMP |
| | 70922286 | 1 | CAPSCREW,5/16"NC X 2" |
| | 70677008 | 2 | WASHER |
| | 70930622 | 1 | NUT,5/16"NC |
| 7 | 73156442 | 1 | SUPPORT |
| | 16043634 | 4 | CAPSCREW,M8X1.25X25 |
| | 14496531 | 4 | WASHER |

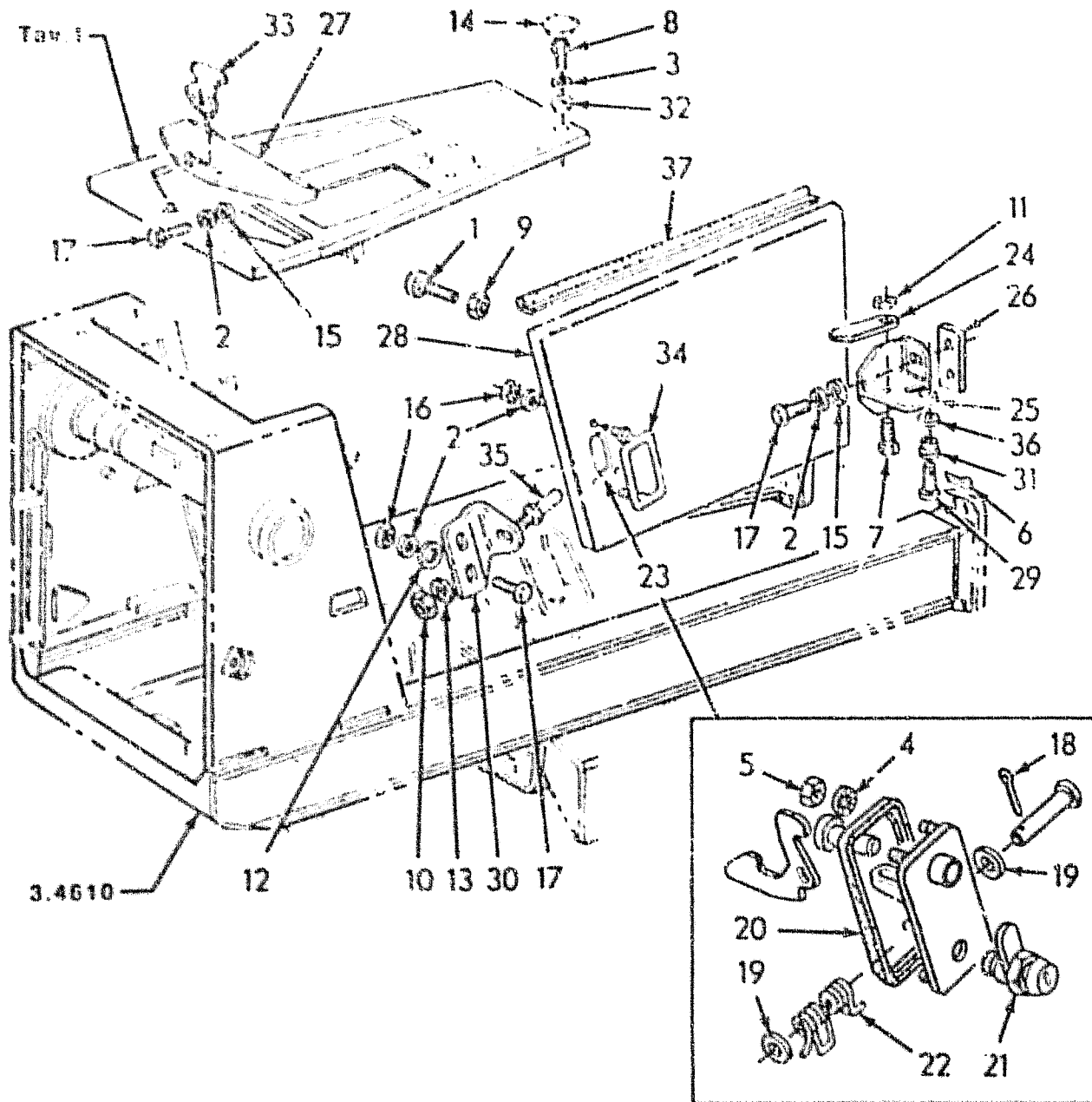
FD14E

AIR PRECLEANER

0.1550

4

ADDED JAN 1990



FIATALLIS FD14E

| ITEM | PART NO. | QTY. | DESCRIPTION |
|------|-----------|------|--------------------|
| 28 | 79090674 | 1 | SIDE PANEL - LEFT |
| | a73156833 | 1 | SIDE PANEL - LEFT |
| | 79090680 | 1 | SIDE PANEL - RIGHT |
| | a73156834 | 1 | SIDE PANEL - RIGHT |
| 29 | 79092298 | 4 | PIN |
| 30 | 9092930 | 2 | BRACKET |
| 31 | 79068087 | 4 | BUSHING |
| 32 | 79032003 | 2 | BUSHING |
| 33 | 79093687 | 2 | HANDLE |
| 34 | 79093824 | 2 | HANDLE |
| 35 | 79092929 | 2 | PIN |
| 36 | 14496631 | 4 | WASHER, 10.5X21 |
| 37 | a----- | 2 | SEAL, 49" |
| | | | REFER TO ITEM 38 |
| 38 | a73077900 | - | SEAL, 25' |

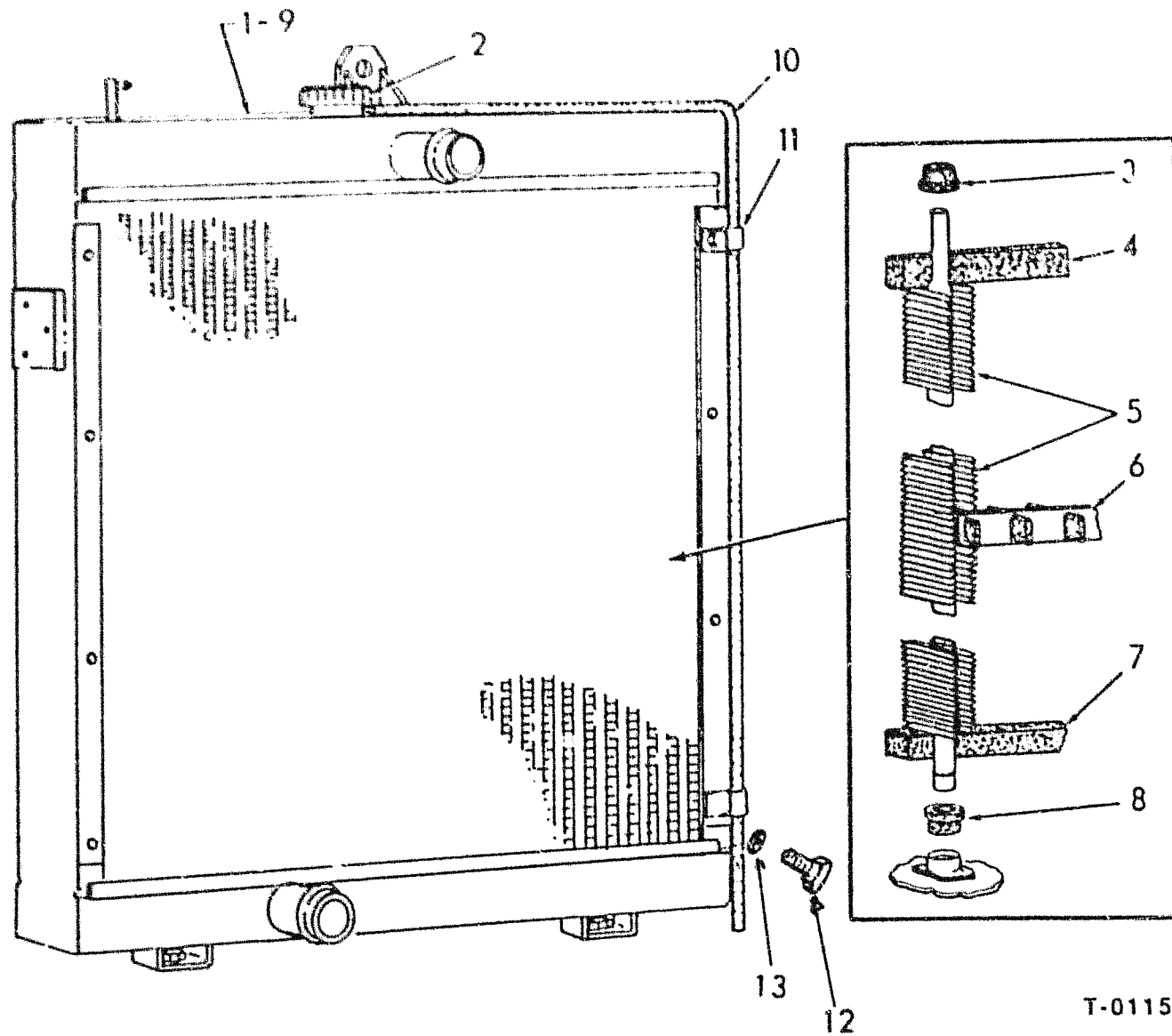
a. UNITS EQUIPPED FOR FORESTRY OPERATION.

FD14E

HOODS

5.6010

2



FIATALLIS FD14E

| ITEM | PART NO. | QTY. | DESCRIPTION |
|------|----------|------|---------------------------------|
| 1 | 73159485 | 1 | RADIATOR INCLUDES ITEMS 1-11 |
| 2 | 73155721 | 1 | CAP |
| 3 | 73155719 | 132 | GROMMET, UPPER |
| 4 | 73153056 | 1 | BAFFLE, UPPER |
| 5 | 73157117 | 132 | TUBE |
| 6 | 73155405 | 1 | TUBE |
| 7 | 73153057 | 1 | BAFFLE, LOWER |
| 8 | 73155718 | 136 | GROMMET, LOWER |
| 9 | ----- | 1 | FRAME NOT SERVICED |
| 10 | 79087893 | 1 | HOSE |
| 11 | 70926917 | 2 | CLIP |
| 12 | 16043621 | 8 | CAPSCREW 8X1.25X25 |
| 13 | 70931220 | 8 | WASHER |

T-0115

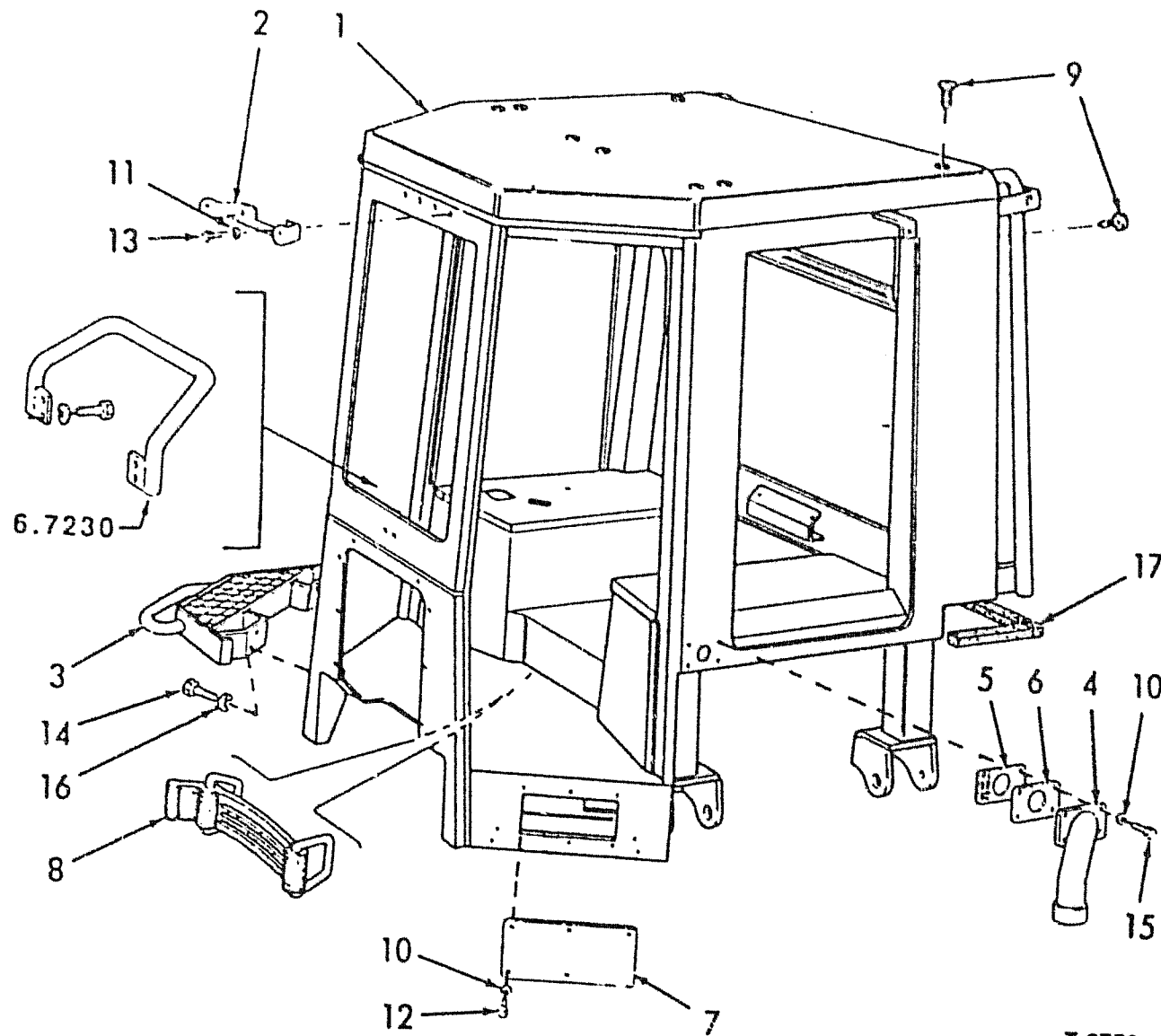
FD14E

RADIATOR ASSEMBLY

90.1660

3

ADDED 9/91



FIATALLIS FD14E

| ITEM | PART NO. | QTY. | DESCRIPTION |
|------|-------------|------|-------------------------------|
| 1 | 79094797 | 2 | STRUCTURE |
| 2 | 79084263 | 1 | SUPPORT |
| 3 | 79096339 | 1 | FOOTREST - LEFT |
| | 79096350 | 1 | FOOTREST - RIGHT |
| 4 | 79087230 | 1 | TUBE - LEFT |
| | 79095627 | 1 | TUBE - RIGHT |
| 5 | 79092871 | 2 | SEAL |
| 6 | 79093991 | | SHIM |
| 7 | 79093931 | 1 | COVER |
| 8 | 4293094 | 1 | BELT |
| 9 | 14592187 | 12 | BUTTON, 11.2X24.5 |
| 10 | 14496431 | 14 | WASHER, 6.4X12.5 |
| 11 | 14496631 | 2 | WASHER, 10.5X21 |
| 12 | 14305231 | 6 | SCREW, 6X1X16 |
| 13 | 11106031 | 2 | SCREW, 10X1.5X20 |
| 14 | 11112431 | 8 | SCREW, 12X1.75X30 |
| 15 | 10902431 | 8 | SCREW, 6X1X20 |
| 16 | 14496731 | 8 | WASHER, 12.2X24 |
| 17 | a - - - - - | 1 | SEAL, 75" REFER TO ITEM 18 |
| 18 | 70689729 | | SEAL, BULK AS REQUIRED |

a. UNIT EQUIPPED FOR FORESTRY OPERATIONS

FD14E

ROPS CAB - STRUCTURE

95.6520

4

CLICK HERE TO **DOWNLOAD** THE COMPLETE MANUAL

- Thank you very much for reading the preview of the manual.
- You can download the complete manual from: www.heydownloads.com by clicking the link below



- Please note: If there is no response to CLICKING the link, please download this PDF first and then click on it.

CLICK HERE TO **DOWNLOAD** THE COMPLETE MANUAL