

Parts
Catalog

for

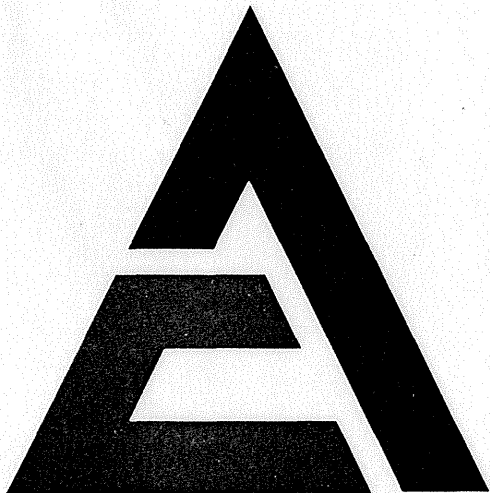
645 M

(FSN 3805-051-9359)

WHEEL

LOADER

(S/N 8001-9176)



ALLIS-CHALMERS

NOTICE Allis-Chalmers Corporation and FIAT S.p.A. entered into a joint venture agreement to combine their manufacture, sale and service of construction machinery, products throughout the world after January 1, 1974. In view of the new enterprise, wherever in this publication reference is made to Allis-Chalmers or your Allis-Chalmers dealer, such reference is intended to identify FIAT-ALLIS Construction Machinery Inc. or your FIAT-ALLIS dealer.

**CONSTRUCTION MACHINERY DIVISION
SPRINGFIELD, ILLINOIS 62705**

FORM 3055044-6

CLICK HERE TO **DOWNLOAD** THE COMPLETE MANUAL

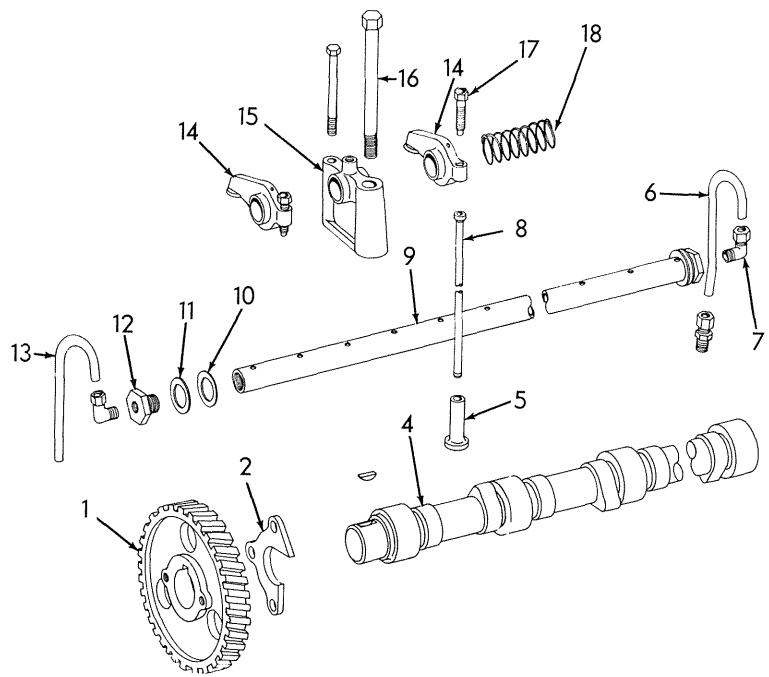
- Thank you very much for reading the preview of the manual.
- You can download the complete manual from: www.heydownloads.com by clicking the link below



- Please note: If there is no response to CLICKING the link, please download this PDF first and then click on it.

CLICK HERE TO **DOWNLOAD** THE COMPLETE MANUAL

MEMO

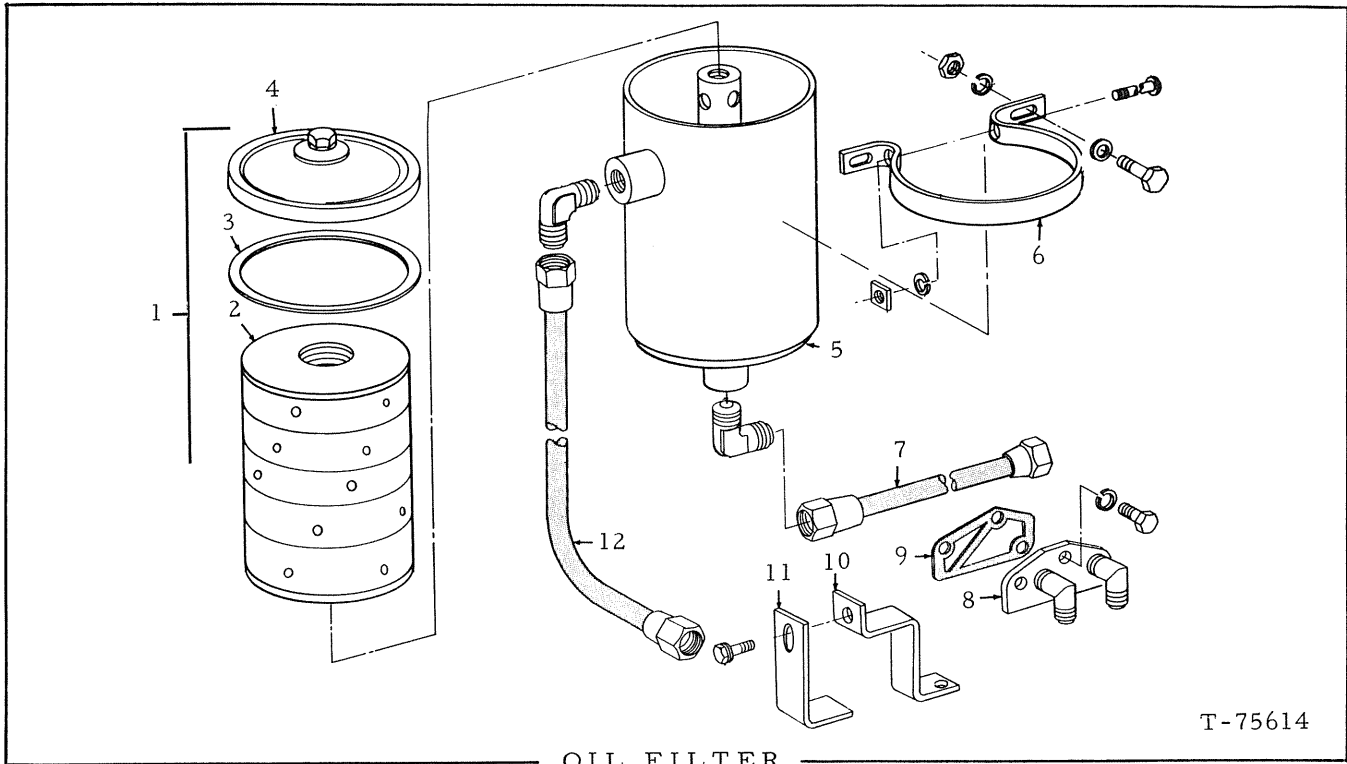


VALVE OPERATING MECHANISM

T-70616

ITEM	PART NO.	QTY.	DESCRIPTION
1	4027121	1	GEAR, camshaft
	905126	1	KEY, woodruff, 1/4" x 1"
2	4021454	1	PLATE, thrust
	4254864	3	BOLT, place
4	4027120	1	CAMSHAFT
5	4026699	12	LIFTER, valve
6	4025175	1	TUBE, oil feed
	912064	2	NUT, compression, 3/16" tube
	912367	2	SLEEVE, compression, 3/16" tube
	910376	1	CONNECTOR, compression, 3/16" tube, 1/8" NPT
7	4025237	1	ELBOW, restrictor, oil tube
8	4025173	12	ROD, push
9	4025187	1	SHAFT, rocker arm
	916271	1	CAPSCREW, 3/8" NC x 1"
	904206	1	LOCKWASHER, 3/8"
10	4025194	2	WASHER, spacing
11	4025193	2	WASHER, spacer (end)
12	4025192	2	PLUG, rocker arm

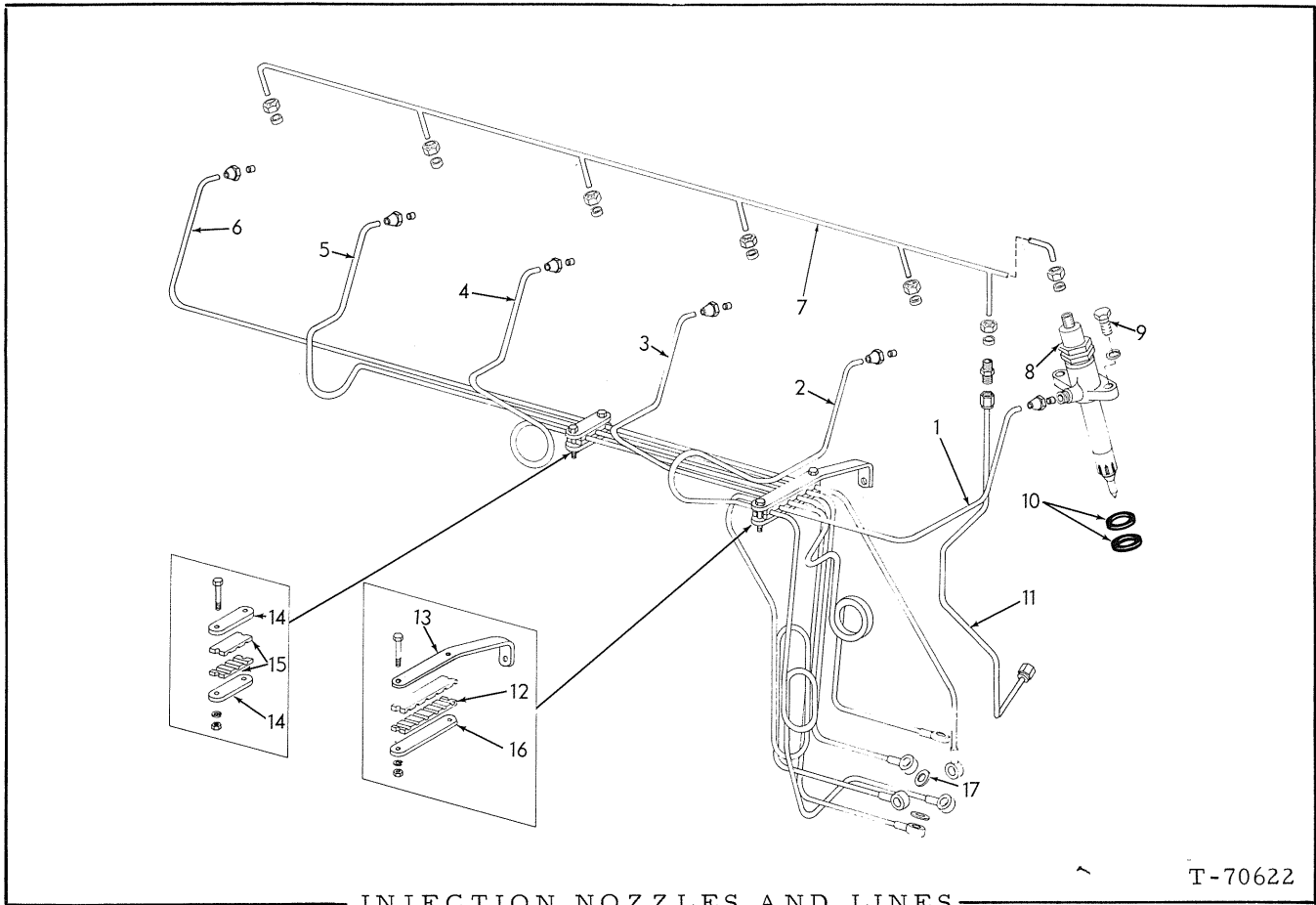
(Continued)



OIL FILTER

T-75614

ITEM	PART NO.	QTY.	DESCRIPTION
1	4027210	2	FILTER ASSY., lube oil (Includes items 2 thru 6 and hardware indented below)
	4051932	4	CAPSCREW
	4059945	4	WASHER
	4059946	4	NUT
2	4388960	2	CARTRIDGE ASSY. (Includes item 3)
3	4372325	2	GASKET, cover
4	4059944	2	COVER, filter
5	4059791	2	BODY, filter
	920662	2	ELBOW, 90° flare type, 5/8" tube, 7/8" straight thread
	922324	2	ELBOW, 90° flare type, 5/8" tube, 3/4" straight thread
6	4051420	4	BRACKET, filter mounting
	915807	8	CAPSCREW, 5/16" NC x 1-1/4"
	910335	8	WASHER, plain, SAE std., 5/16"
	904205	8	LOCKWASHER, 5/16"
	910323	8	NUT, 5/16" NC
7	3052036	2	HOSE ASSY., filter to block
8	4026382	2	PLATE, filter cover
	916269	6	CAPSCREW, 3/8" NC x 7/8"
	904206	6	LOCKWASHER, 3/8"
9	4025120	2	GASKET, plate
10	3052035	1	CLAMP, hose
11	3052027	1	BRACKET, clamp
	923683	1	CAPSCREW, 3/8" NC x 3/4" (Self-tapping)
12	3052037	2	HOSE ASSY., filter to block

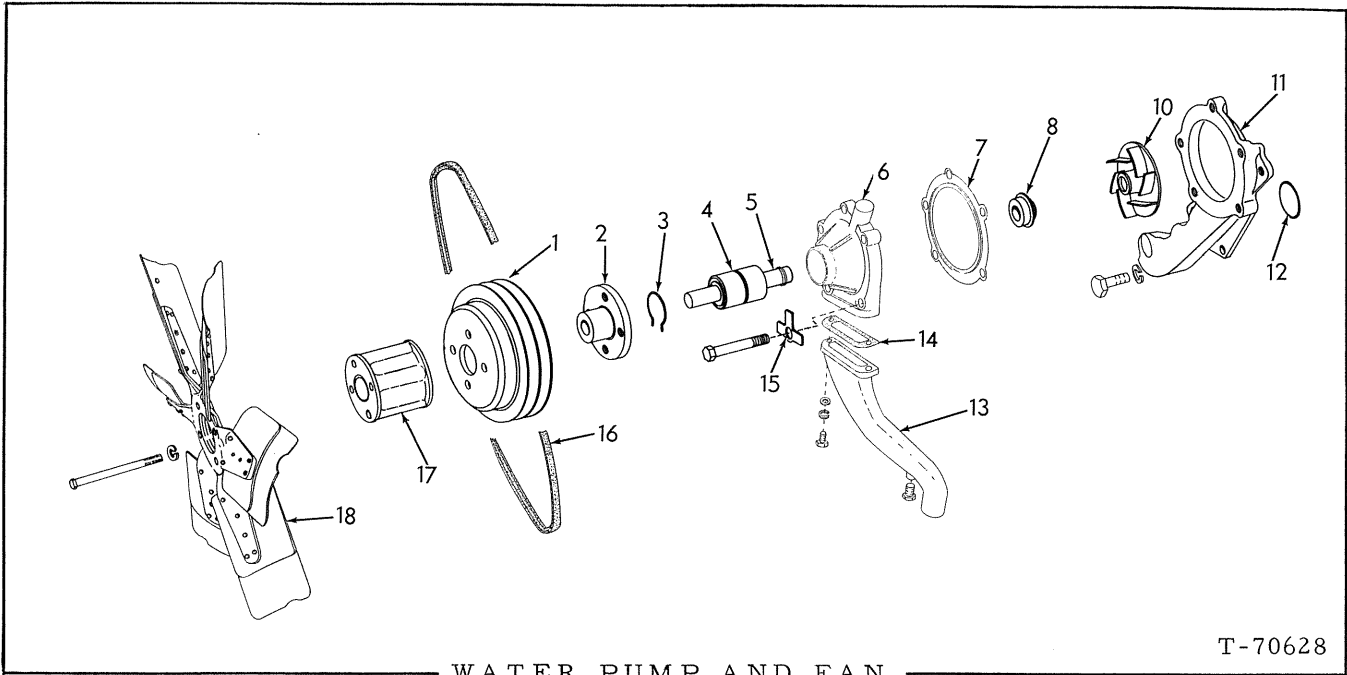


INJECTION NOZZLES AND LINES

T-70622

ITEM	PART NO.	QTY.	DESCRIPTION
1	4026533	1	TUBE ASSY., fuel injection (#1 cylinder)
2	4026534	1	TUBE ASSY., fuel injection (#2 cylinder)
3	4026535	1	TUBE ASSY., fuel injection (#3 cylinder)
4	4026536	1	TUBE ASSY., fuel injection (#4 cylinder)
5	4026537	1	TUBE ASSY., fuel injection (#5 cylinder)
6	4026538	1	TUBE ASSY., fuel injection (#6 cylinder)
	4504409	6	NUT
	4501149	6	SLEEVE, 1/4" tube
7	4025219	1	TUBE, drip manifold
	917809	7	NUT, 1/4"
	917806	7	SLEEVE, 1/4" tube
8	4026532	6	HOLDER ASSY., injection (See page 39 for parts)
9	917135	12	CAPSCREW, injection nozzle holder, 5/16" NC x 1-5/8"
	904205	12	LOCKWASHER, 5/16"
10	4025385	12	SHIELD, dust, injection nozzle

(Continued)

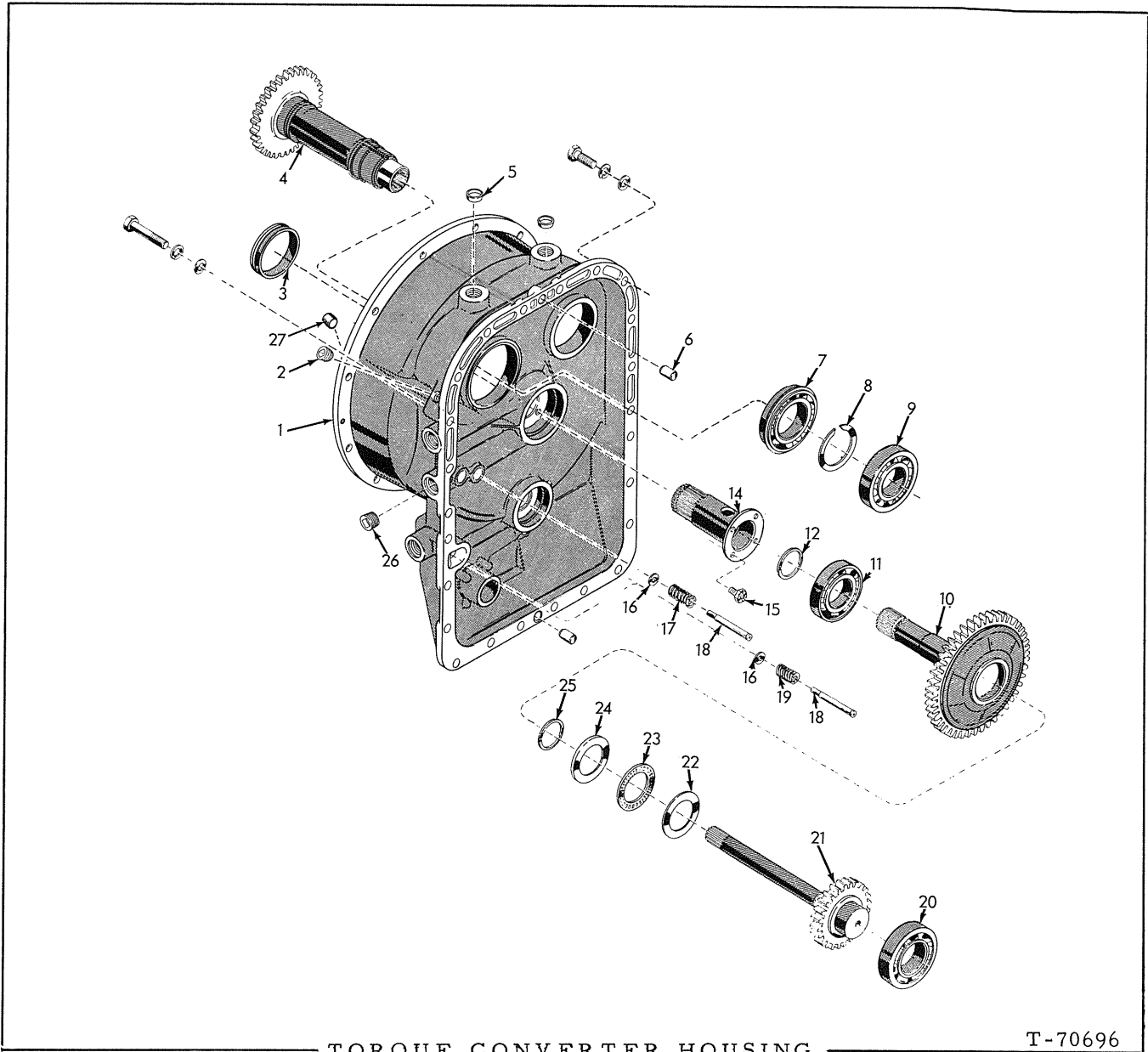


WATER PUMP AND FAN

T-70628

ITEM	PART NO.	QTY.	DESCRIPTION
-	4026886	1	PUMP ASSY., water (Includes items 2 and 4 thru 10)
1	4025058	1	PULLEY, water pump
2	4025068	1	HUB, pulley
3	4254608	-	RETAINER
4	-----	1	SHAFT AND BEARING ASSY. (Includes item 5)
5	4507084	1	FLINGER, water
6	4026091	1	BODY, pump
	919224	2	CAPSCREW, 3/8" NC x 1-1/8"
	919227	1	CAPSCREW, 3/8" NC x 3-1/4"
	910984	1	CAPSCREW, 3/8" NC x 2"
	913544	2	WASHER, plain, 3/8"
	904206	2	LOCKWASHER, 3/8"
	920416	1	PLUG, pipe, hex-hd., 1/2" NPT
7	4026887	1	GASKET, water pump to volute
8	4025710	1	SEAL ASSY., water pump
10	4025067	1	IMPELLER ASSY.
11	4025528	1	VOLUTE, water outlet
	919224	2	CAPSCREW, 3/8" NC x 1-1/8"
	910948	1	CAPSCREW, 3/8" NC x 2"
	904206	3	LOCKWASHER, 3/8"
12	923684	1	□ O-RING, 2-1/2" I. D.

(Continued)

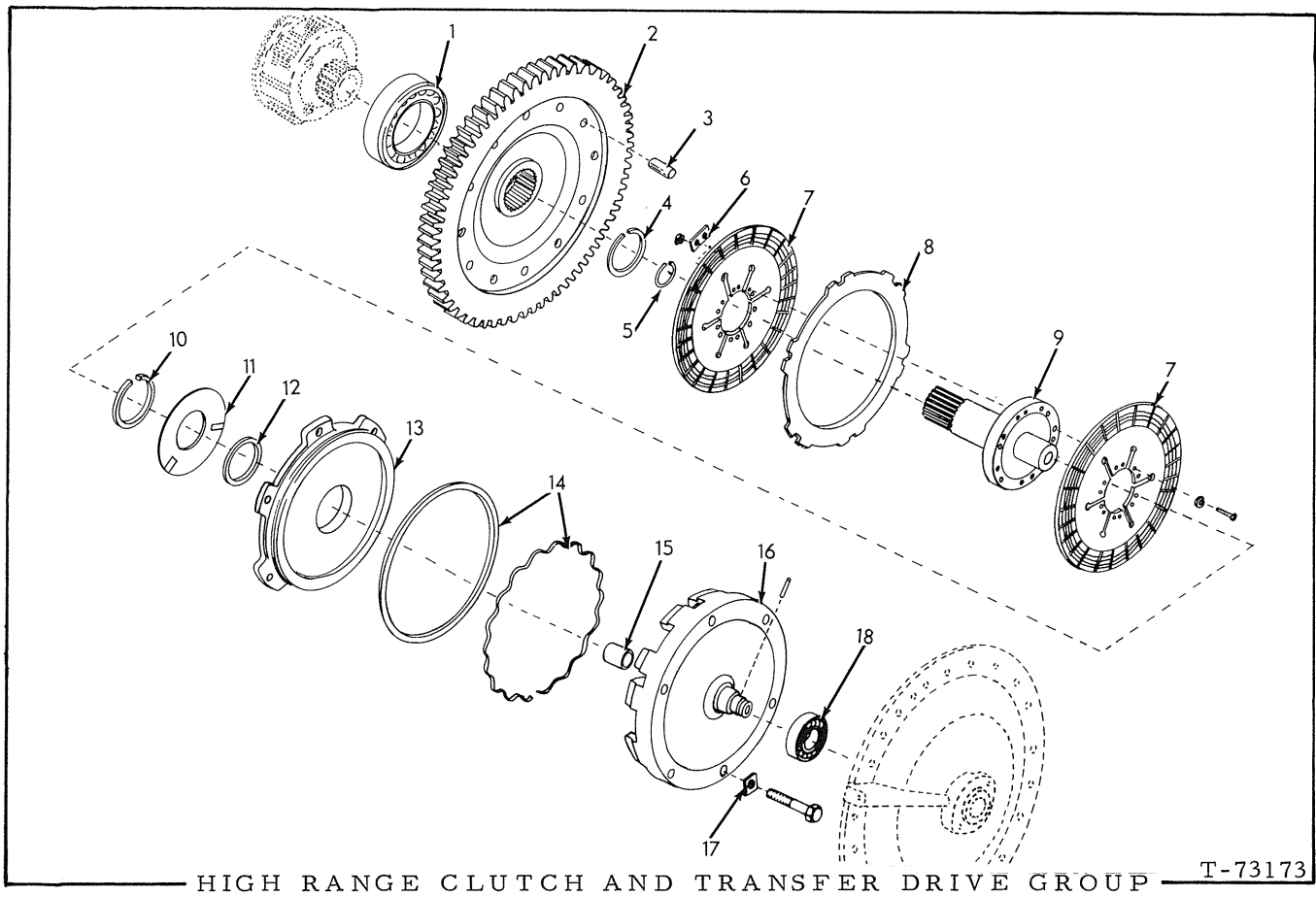


TORQUE CONVERTER HOUSING

T-70696

ITEM	PART NO.	QTY.	DESCRIPTION
1	3044356	1	HOUSING ASSEMBLY, converter (Includes items 2, 3, 5, 6 and 26)
	920649	23	CAPSCREW, 7/16" NC x 1-3/8"
	916866	1	CAPSCREW, 7/16" NC x 2-3/4"
	912298	24	WASHER, plain, SAE std., 7/16"
	904207	24	LOCKWASHER, 7/16"
2	924085	1	PLUG, converter housing
3	3044433	1	SLEEVE, converter housing
4	3044417	1	GEAR, driven, accessory
5	3044435	2	PLUG, converter housing

(Continued)



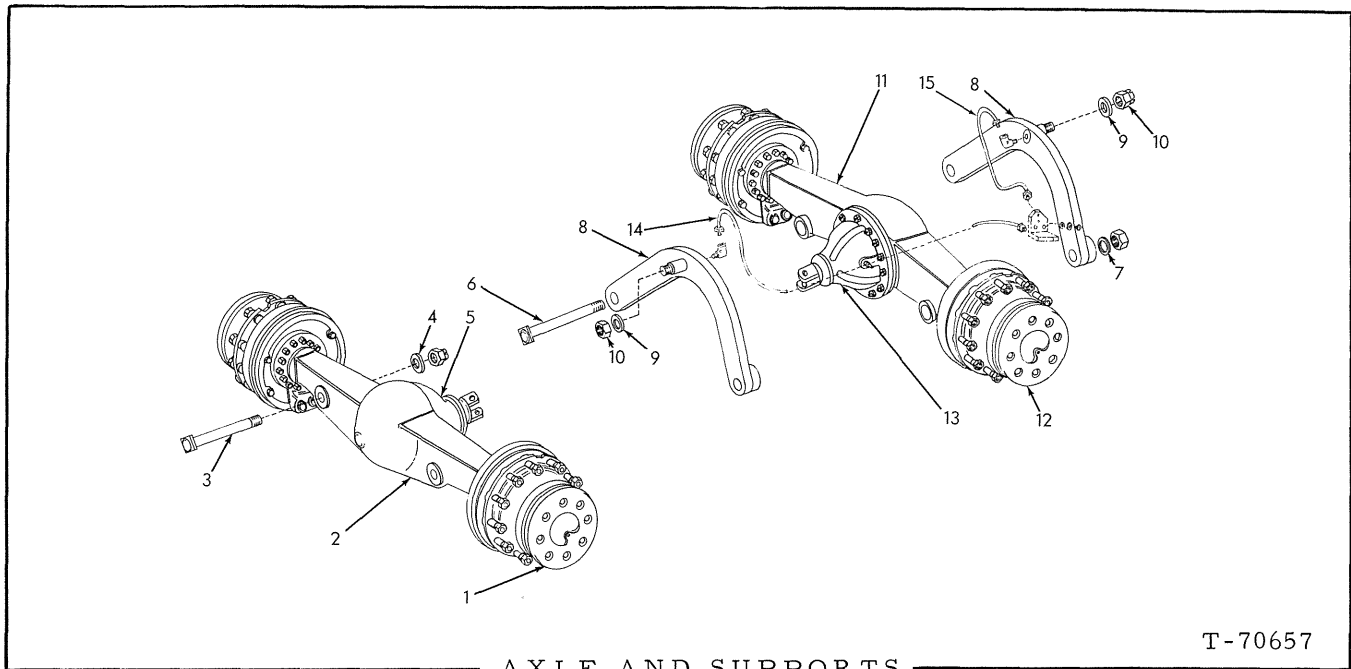
HIGH RANGE CLUTCH AND TRANSFER DRIVE GROUP T-73173

ITEM	PART NO.	QTY.	DESCRIPTION
1	3044513	1	BEARING, single row
2	3044455	1	GEAR ASSEMBLY, drive (Includes item 3)
3	3044404	6	PIN, gear assembly
4	3021055	1	RING, snap
5	3035711	1	RING, snap
6	3046029	6	STRIP, locking
7	3046030	2	PLATE, clutch
8	3021191	1	PLATE, external splined
9	3046031	1	HUB, clutch, high range
	3047737	12	CAPSCREW
	3046032	12	WASHER
	910233	12	NUT, 5/16"

(Continued)

TRANSMISSION CONTROL GROUP (Continued)

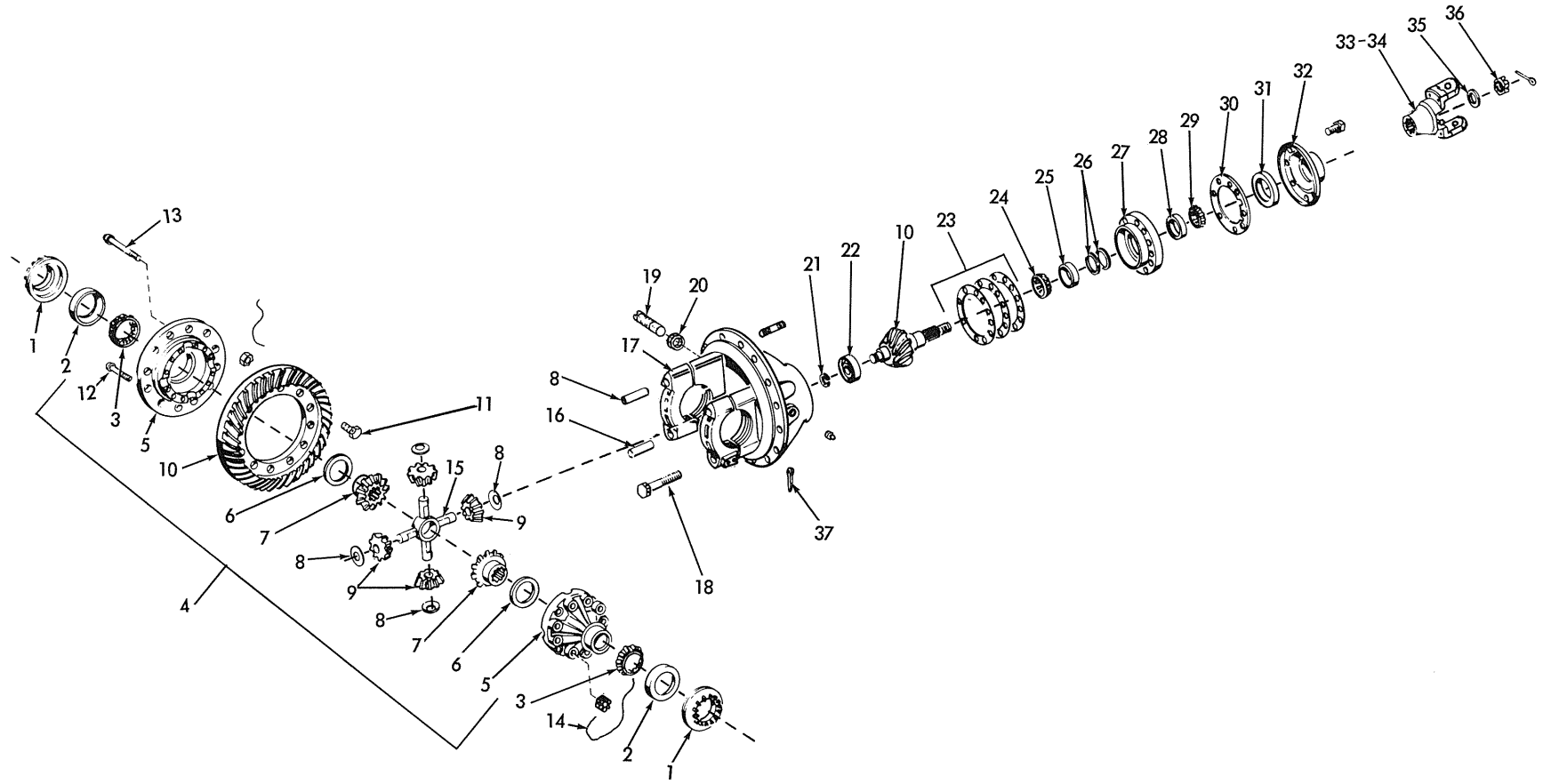
ITEM	PART NO.	QTY.	DESCRIPTION
18	624352	1	SWITCH, safety, starting (Includes mounting nuts)
19	3050321	2	U-BOLT
	904204	4	LOCKWASHER, 1/4"
	911040	4	NUT, 1/4" NF
20	3048960	1	BUSHING, clamp
21	3051743	1	PLATE, transmission control
	925784	4	RIVET, 1/64" x 1/4"



AXLE AND SUPPORTS

T-70657

ITEM	PART NO.	QTY.	DESCRIPTION
-	3050893	1	AXLE ASSY., front (See page 93 thru 98, 110 and 114 for parts)
-	3050894	1	AXLE ASSY., rear (See page 101 thru 106, 112 and 114 for parts)
1	-----	-	SHAFT AND HUB, front axle (See page 97 for parts)
2	-----	-	HOUSING, front axle (See page 95 for parts)
3	3036937	2	PIN, axle connecting, front
4	193212	2	WASHER, plain
	925284	2	NUT, safety, 1-1/2" NF
5	3042683	2	DIFFERENTIAL ASSY., front axle (See page 93 for parts)
6	3042335	2	PIN, axle connecting, rear
7	193212	2	WASHER, plain
	925284	2	NUT, safety, 1-1/2" NF
8	3042326	2	SUPPORT, axle, rear
9	3042688	2	WASHER, plain
-	3043902	-	WASHER, (.010" thick. Use as req'd)
10	3017556	2	NUT, safety
11	-----	-	HOUSING, axle, rear (See page 103 for parts)
12	-----	-	SHAFT AND HUB, rear axle (See page 105 for parts)
13	3051836	1	DIFFERENTIAL ASSY., rear axle (See page 101 for parts)
14	3032350	1	TUBE ASSY., flexible (Includes fittings)
	904209	1	LOCKWASHER, 5/8"
	910345	1	NUT, jam, 5/8" NF
	914465	1	FITTING, lubricating, 1/8" NPT
	917013	1	ELBOW (brass) 90°, 1/8" NPT
15	3019807	1	TUBE ASSY., flexible (Includes fittings)
	904209	1	LOCKWASHER, 5/8"
	910345	1	NUT, jam, 5/8" NF
	914465	1	FITTING, lubricating, 1/8" NPT
	917013	1	ELBOW, (brass) 90°, 1/8" NPT



DIFFERENTIAL CARRIER ASSEMBLY
(Rear Axle)

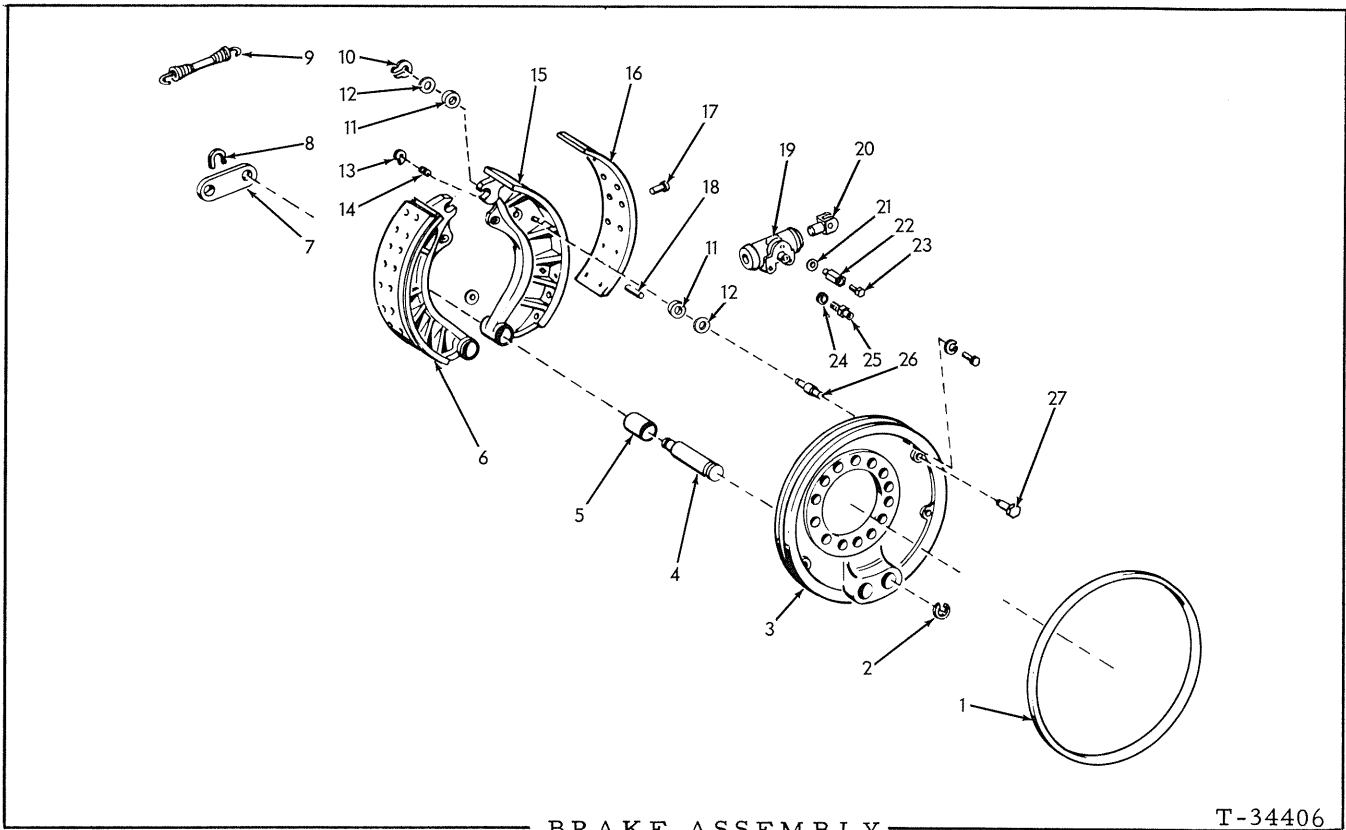
CLICK HERE TO **DOWNLOAD** THE COMPLETE MANUAL

- Thank you very much for reading the preview of the manual.
- You can download the complete manual from: www.heydownloads.com by clicking the link below



- Please note: If there is no response to CLICKING the link, please download this PDF first and then click on it.

CLICK HERE TO **DOWNLOAD** THE COMPLETE MANUAL

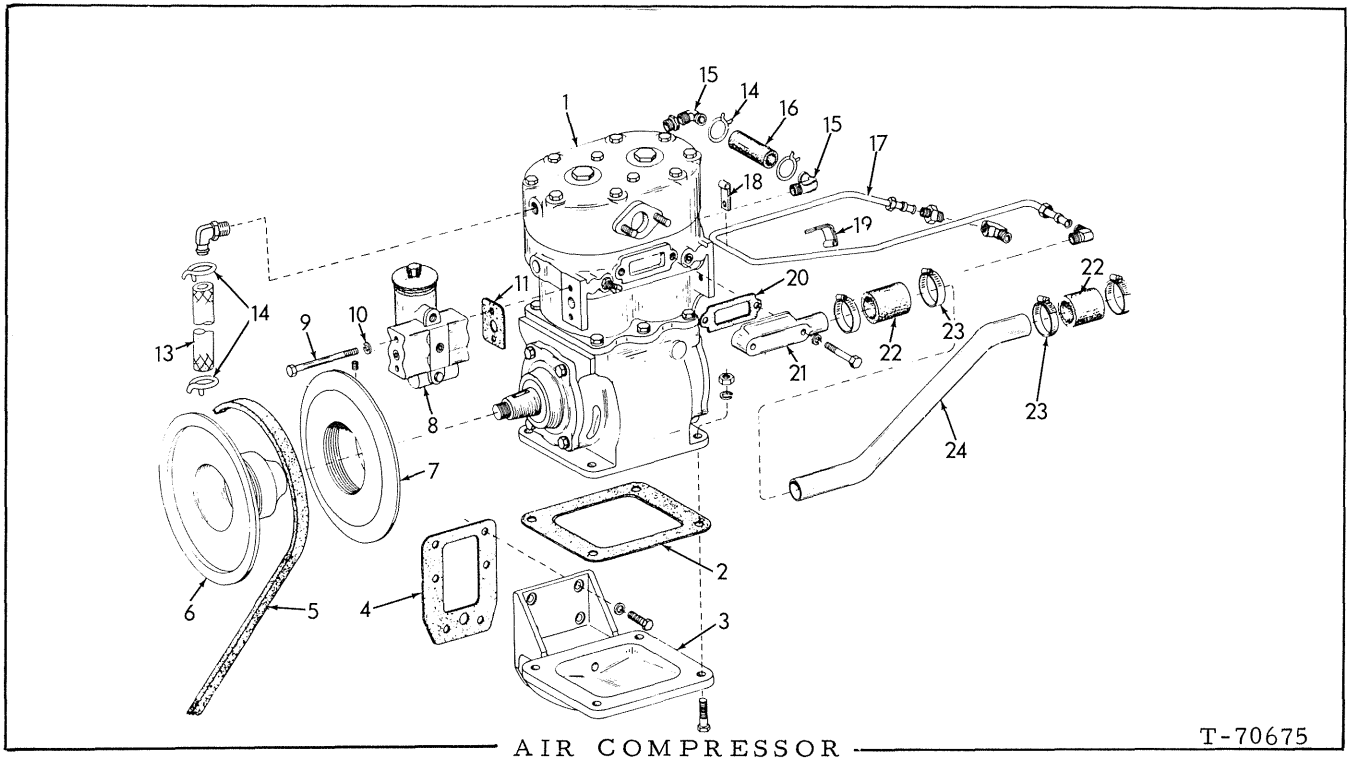


BRAKE ASSEMBLY
(Front Axle)

T-34406

ITEM	PART NO.	QTY.	DESCRIPTION
NOTE: Quantities indicated are for one (1) brake assembly only.			
1	3027610	1	SEAL, felt
2	3027643	2	RING, snap
3	3036539	1	SPIDER ASSEMBLY (Includes items 2, 4, 13, 14, 26, 27)
4	3027641	2	PIN, anchor
5	3027620	2	BUSHING
6	3051851	2	SHOE ASSEMBLY, brake (Includes items 5 and 15 thru 18)
7	3036537	1	LINK, anchor pin
8	3024764	2	WASHER, "C", link retaining
9	3027616	1	SPRING, shoe return
10	3027612	4	WASHER, "C"
11	3024767	4	WASHER, brake shoe

(Continued)



AIR COMPRESSOR

T-70675

ITEM	PART NO.	QTY.	DESCRIPTION
1	4027233	1	COMPRESSOR ASSEMBLY, air (7-1/4 cu. ft.) (Includes GOVERNOR) (See pages 121 thru 126 for parts)
	916255	4	CAPSCREW, 7/16" NC x 1-3/4"
	904207	4	LOCKWASHER, 7/16"
	912201	4	NUT, 7/16" NC
2	4040305	1	GASKET, base
3	4025979	1	BRACKET, air compressor
	916197	6	CAPSCREW, 7/16" NC x 1-1/8"
	904207	6	LOCKWASHER, 7/16"
4	4025622	1	GASKET, compressor bracket
5	4027245	1	BELT, compressor drive
6	4025652	1	PULLEY, stationary half
7	4025653	1	PULLEY, adjustable half
	914383	3	SETSCREW, 3/8" NC x 1/2"
8	4389823	1	GOVERNOR ASSEMBLY (See page 126 for parts)
9	4055341	2	CAPSCREW
10	904205	2	LOCKWASHER, 5/16"
11	4040345	1	GASKET, governor

(Continued)

AIR TANK, HORN AND LINES (Continued)

ITEM	PART NO.	QTY.	DESCRIPTION
13	3031668	1	SWITCH, air pressure
	901825	2	BUSHING, reducing, 1/4" to 1/8"
	901714	1	TEE, pipe, 1/4" NPT
14	3051719	1	TUBE, air supply, rear
	915279	1	ELBOW, compression, 3/8" tube, 1/4" NPT male
	912588	2	SLEEVE, compression 3/8" tube
	921190	2	NUT, compression, 3/8" tube
	919501	1	CONNECTOR, compression, 3/8" tube, 9/16" NPT male
15	3051740	1	TUBE, air supply, front
	912588	1	SLEEVE, compression, 3/8" tube
	921190	1	NUT, compression, 3/8"
16	3033312	1	CLIP, tube supporting
	916270	1	CAPSCREW, 3/8" NC x 1/2"
	904206	1	LOCKWASHER, 3/8"
17	3051706	1	HORN, air (Includes elbow, nut and sleeve)
18	-----	-	See ELECTRICAL SYSTEM
19	3052125	1	PLATE, name, air supply valve
20	3052088	1	CONNECTOR ASSY., air hose (Loose in tool box) (Not illustrated)

AIR APPLICATION VALVE ASSEMBLY (Continued)

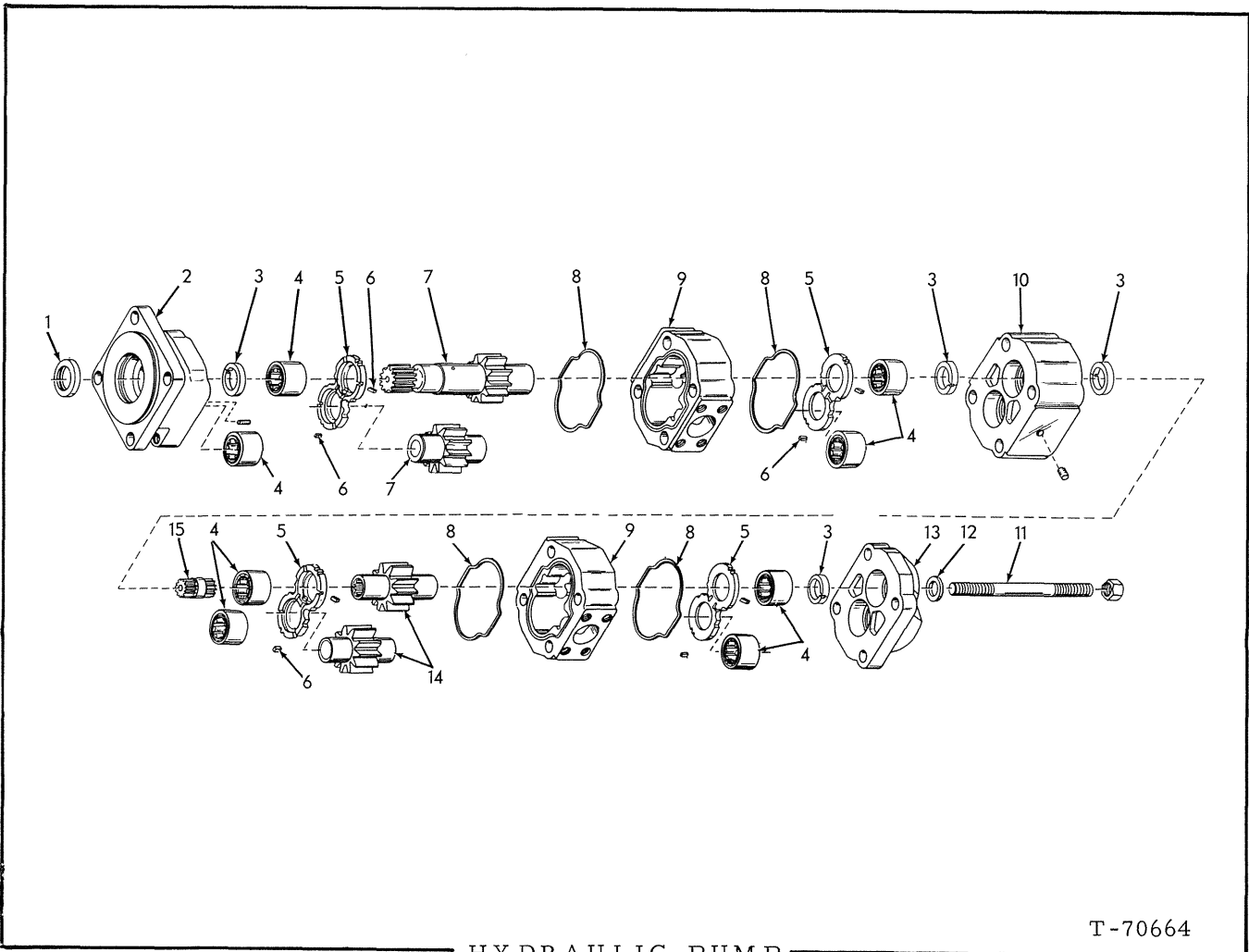
ITEM	PART NO.	QTY.	DESCRIPTION
27	3048376	1	SPRING, return, secondary piston
28	3048384	1	BODY, lower valve
29	3048383	1	VALVE, secondary inlet
30	3048382	1	SPRING, secondary inlet
31	3048381	1	GUIDE, spring
32	926803	1	SEAL, guide
33	3048379	1	RETAINER, secondary seal
34	3048378	1	RETAINER, seal
35	3048377	1	SHIELD, exhaust
36	3048375	1	RING, snap
-	3048402	-	REPAIR KIT, valve (Includes items 4, 15, 17, 18, 21, 22, 24, 25, 29, 32, 33, and 1 O-RING 923580)

STEERING PUMP, DEMAND VALVE AND LINES (Continued)

ITEM	PART NO.	QTY.	DESCRIPTION
14	3051185	1	HOSE ASSY., demand valve to tank
	921203	1	ELBOW, flare type, 3/4" tube (Includes 1 O-RING 921206)
15	3051183	1	TUBE ASSY.
	923664	1	O-RING, sealing
	921117	2	FLANGE, half, 1-1/4"
	916197	4	CAPSCREW, 7/16" NC x 1-1/4"
	904207	4	LOCKWASHER, 7/16"
16	3002196	2	CLIP, tube supporting
	915408	2	CAPSCREW, 3/8" NC x 3/4"
	904206	2	LOCKWASHER, 3/8"

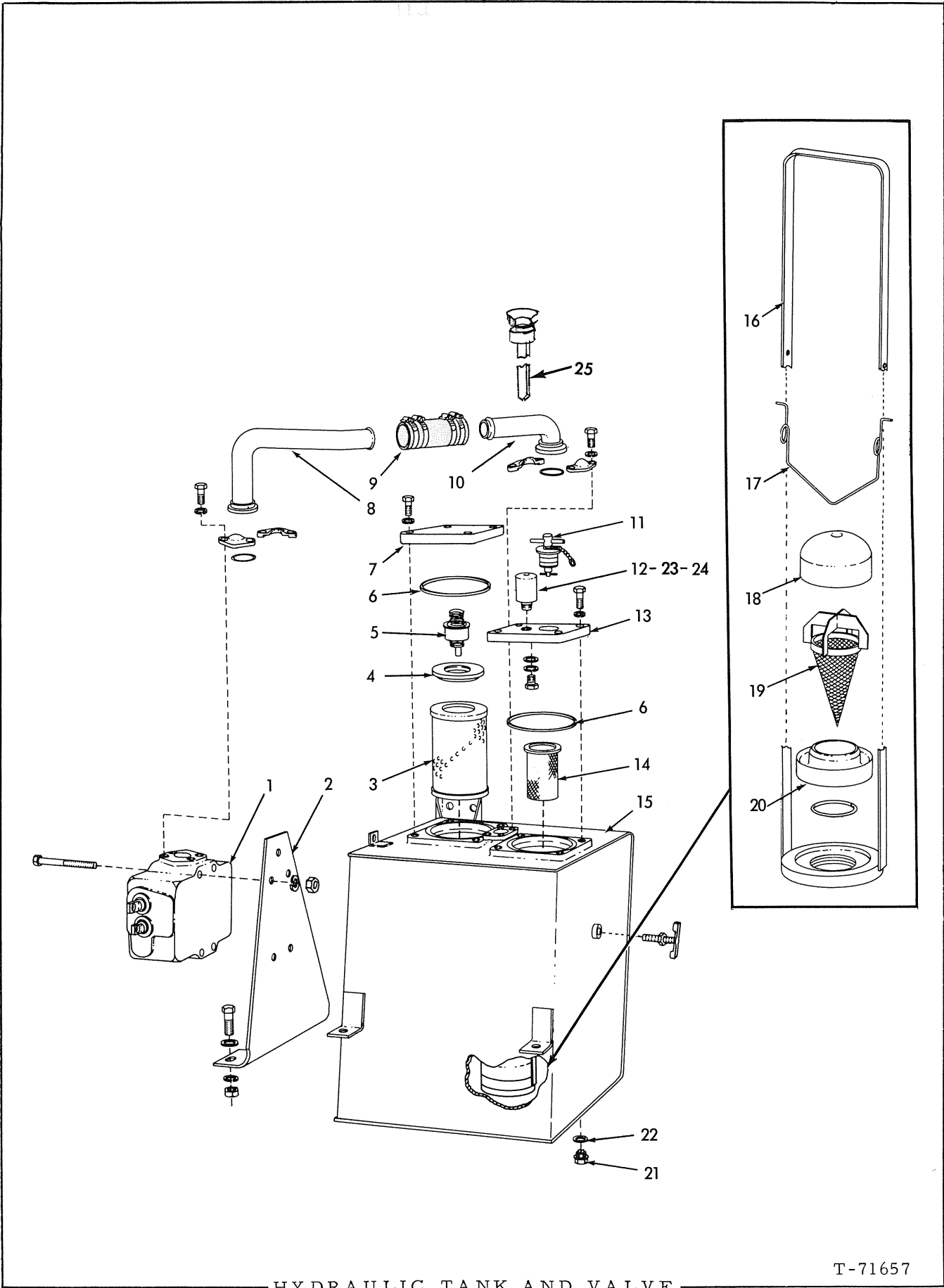
HYDRAULIC CONTROLS (Continued)

ITEM	PART NO.	QTY.	DESCRIPTION
18	3051082	1	LEVER, connecting
	922419	1	PIN, roll
	917666	1	YOKE, end
19	3051048	1	SPACER, shaft
20	3051053	1	ROD, connecting
	925041	1	JOINT, ball, adjustable
	904206	1	LOCKWASHER, 3/8"
	911048	2	NUT, jam, 3/8" NF
	913177	1	NUT, 3/8" NF
21	3051942	1	ROD, control
22	3052005	1	SPACER, shaft
23	3007065	1	BUSHING, control rod
24	3051964	1	LEVER, control
	922419	1	PIN, roll
	910255	2	WASHER
25	3052108	1	PLATE, instruction
	925784	4	RIVET, 1/64" x 1/4"
26	3051939	1	COVER, control rod
	923683	2	CAPSCREW, self-tapping, 3/8" NC
	900817	2	WASHER, plain, U. S. Std., 1/2"



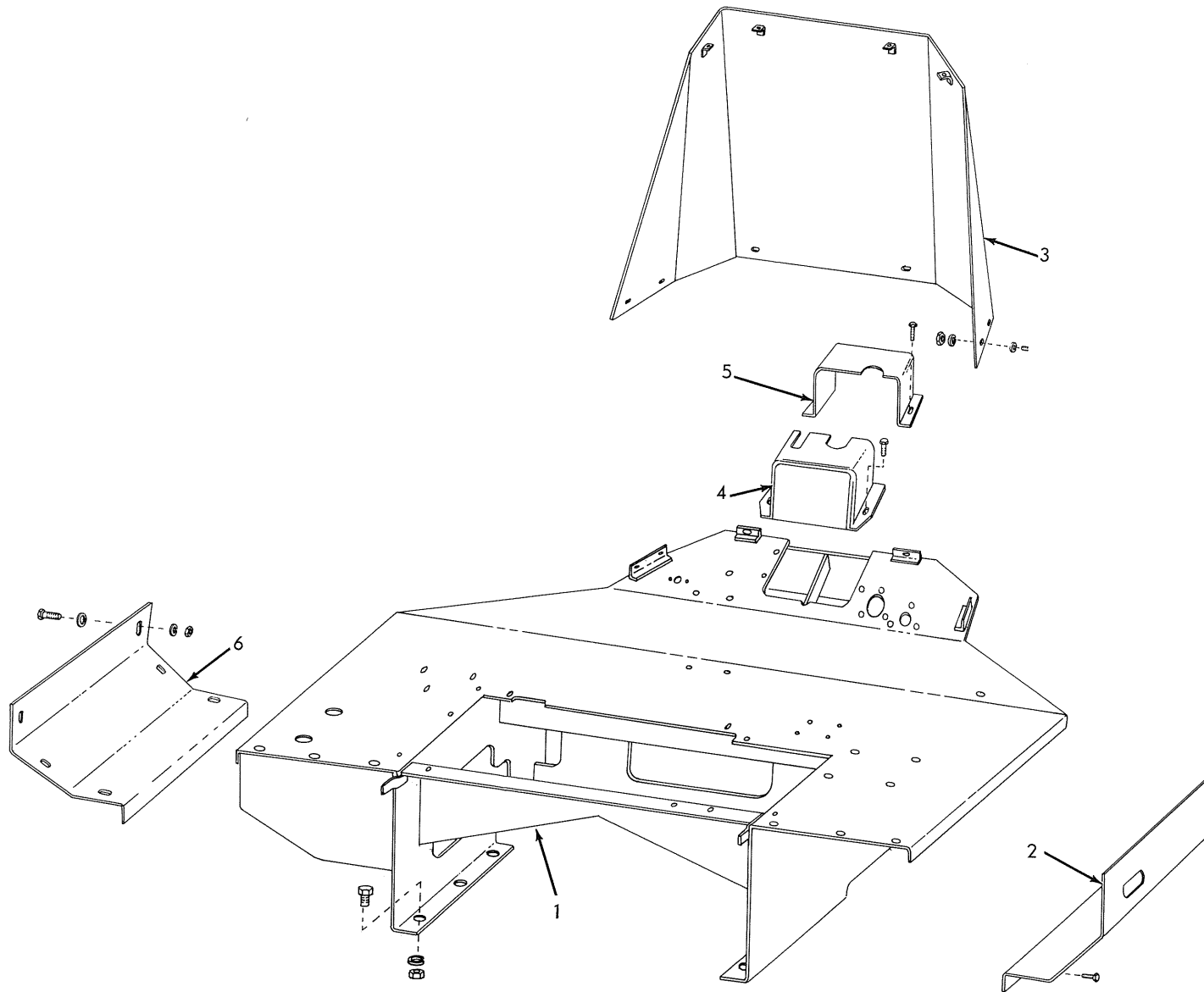
HYDRAULIC PUMP

T-70664

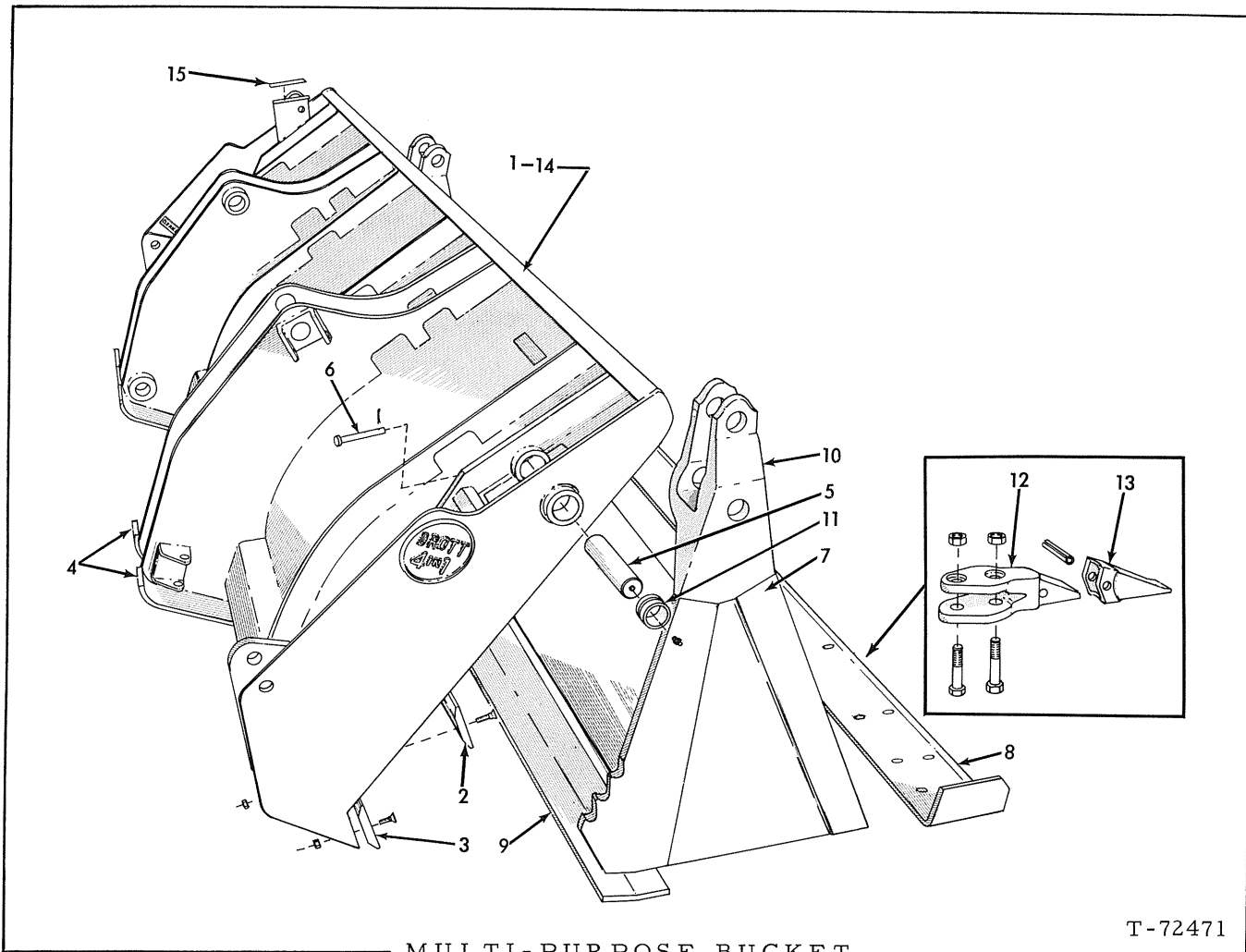


HYDRAULIC TANK AND VALVE

T-71657



COWL AND PLATFORM

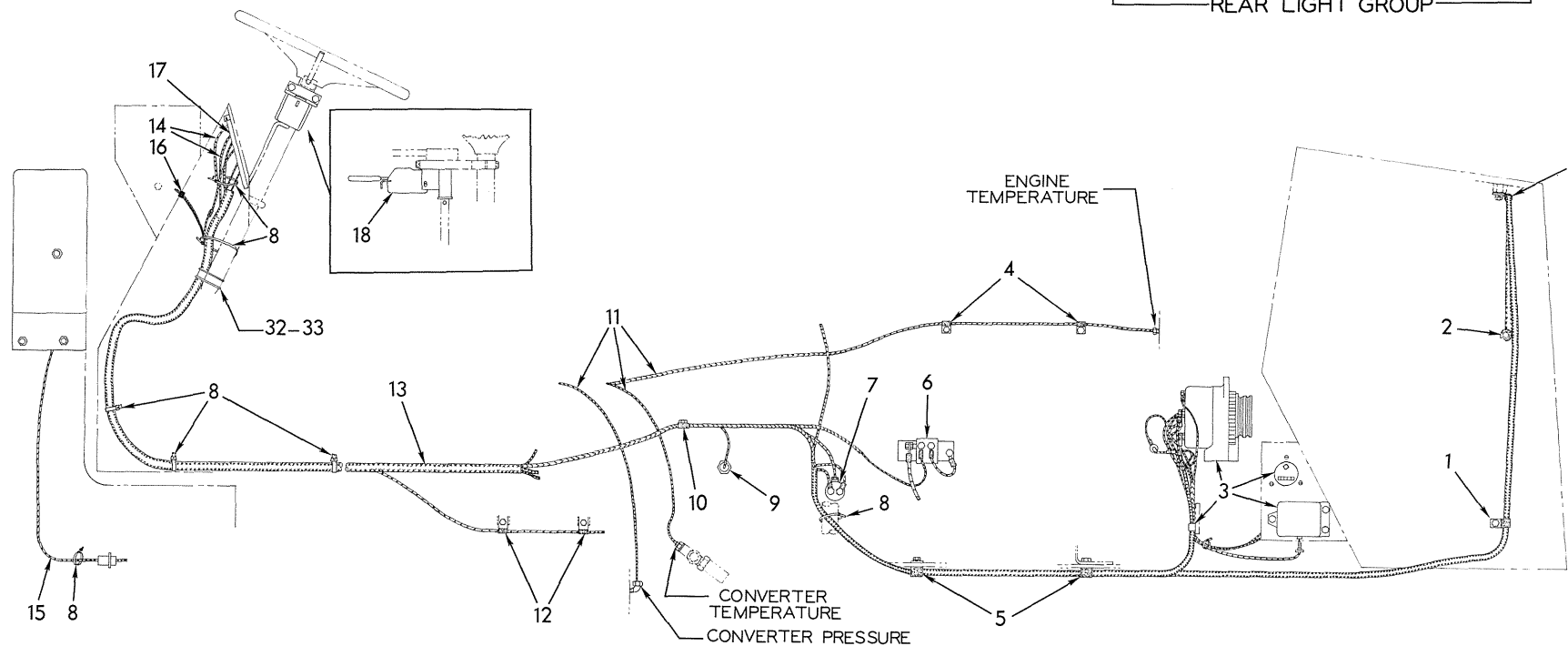
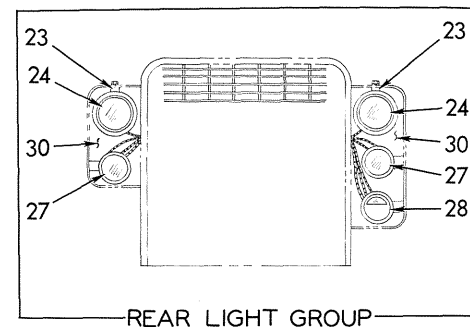
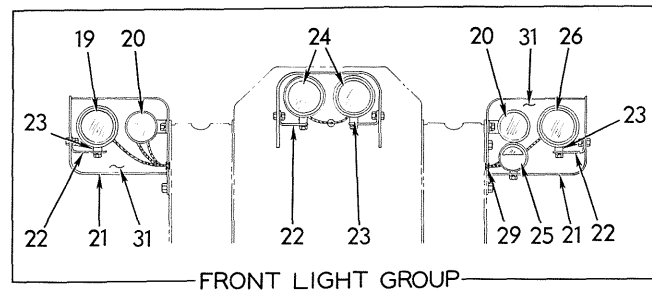


MULTI-PURPOSE BUCKET

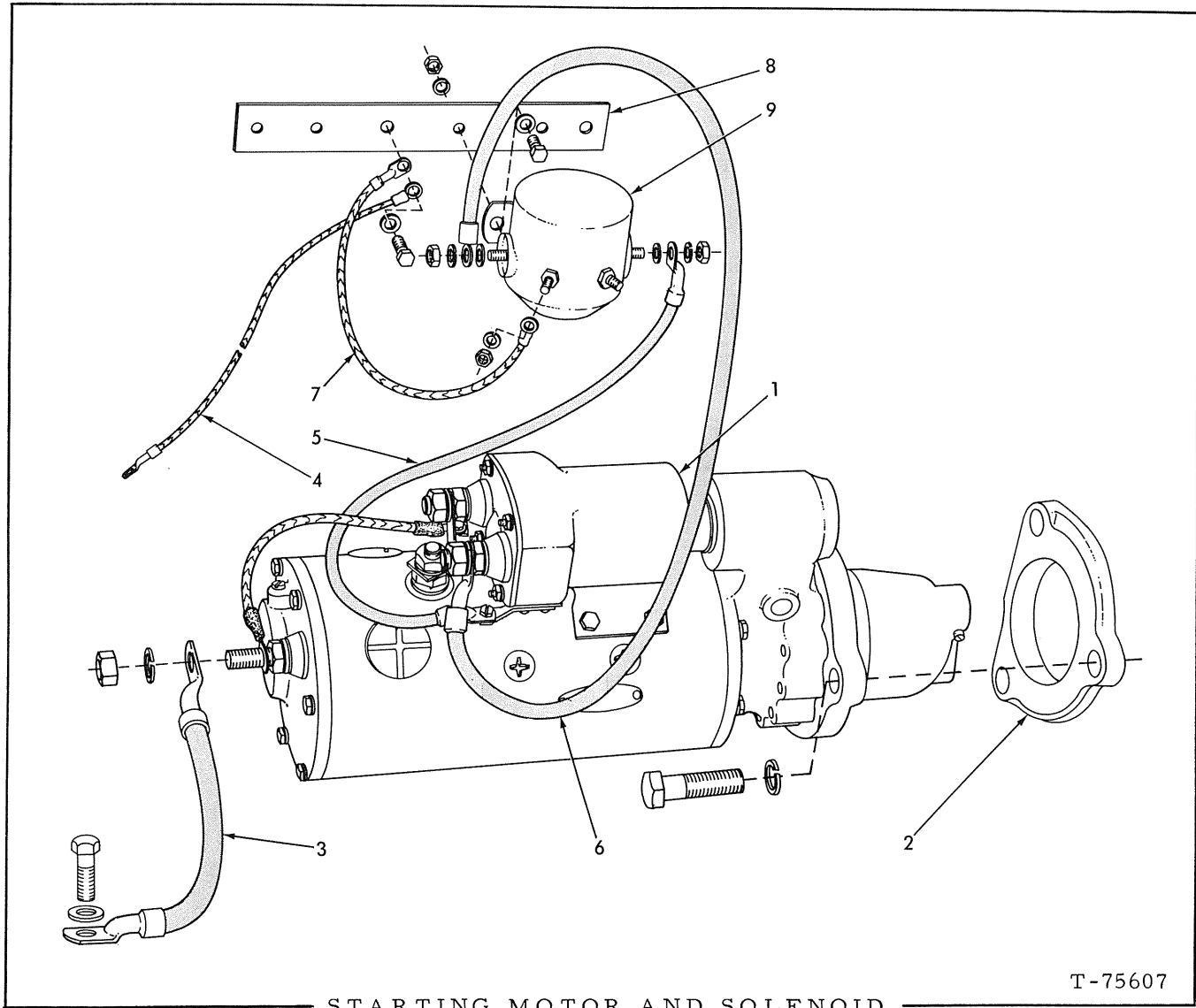
T-72471

ITEM	PART NO.	QTY.	DESCRIPTION
-	3050900	1	BUCKET ASSY., complete (Includes items listed on pages 190 thru 193)
1	664363	1	MOLDBOARD ASSY., (Includes items 2 thru 4)
2	654266	1	EDGE, moldboard cutting
	916448	14	BOLT, plow, 3/4" NC x 2-1/4"
	911030	14	NUT, 3/4" NC
3	664365	2	BIT, moldboard end
	916448	6	BOLT, plow, 3/4" NC x 2-1/4"
	911030	6	NUT, 3/4" NC
4	-----	4	* SHOE, moldboard skid
5	654249	2	PIN ASSY., clam pivot (Includes FITTING indented below)
	914465	2	FITTING, lubricating, straight, 1/8" NPT
6	654250	2	PIN, retaining, clam pivot pin
	900806	2	PIN, cotter, 1/8" x 1"
7	664364	1	CLAM ASSY., (Includes items 8 thru 11)
8	664384	1	* EDGE, bucket cutting

(Continued)



WIRING, LIGHTS AND TURN-SIGNAL



T-75607

STARTING MOTOR AND SOLENOID

ITEM	PART NO.	QTY.	DESCRIPTION
1	3051712	1	MOTOR ASSY., starting (See page 213 thru 215 for parts)
	915963	3	CAPSCREW, 5/8" NC x 2-1/4"
	904209	3	LOCKWASHER, 5/8"
2	4025429	1	ADAPTER, starting motor
3	3052160	1	CABLE, (#20) starter to ground
	916028	1	CAPSCREW, 1/2" NF x 1-3/4"
	910244	1	WASHER, plain, SAE std., 1/2"
	904208	1	LOCKWASHER, 1/2"
	911043	1	NUT, 1/2" NF
4	3052306	1	WIRE ASSY., (#50C) solenoid ground
5	3052079	1	CABLE, (#23) solenoid to starter
	922121	1	SCREW, machine, #10 NF x 3/8"
6	3052078	1	CABLE, (#111D) starting solenoid to starter solenoid

(Continued)

INSTRUCTION AND NAME PLATES
(Not Illustrated)

ITEM	PART NO.	QTY.	DESCRIPTION
1	3051721	1	PLATE, pressure relief, lift cylinder (Mounted on lift cylinder bearing cover)
2	3052100	1	PLATE, ether start (Mounted to front end of hydraulic tank bonnet)
3	3052144	1	PLATE, transmission data (Mounted to front end of hydraulic tank bonnet)
4	3052124	1	PLATE, air restriction indicator (Mounted to front end of hydraulic tank bonnet)
5	3052114	1	PLATE, clutch release (Mounted to front end of hydraulic tank bonnet)
6	3052129	1	PLATE, care of hydraulic oil filters (Mounted on top of hydraulic tank bonnet)
7	3052143	1	PLATE, oil level check (Mounted on top of hydraulic tank bonnet)
8	924421	1	PLATE, name (Allis-Chlammers) (Mounted below radiator grille)
9	-----	1	PLATE, transmission control (See TRANSMISSION CONTROL GROUP)
10	-----	1	PLATE, hydraulic control (See HYDRAULIC CONTROL GROUP)
11	-----	1	PLATE, lube chart (See RADIATOR SUPPORT, HOOD AND FENDERS)
12	-----	-	PLATES, instrument panel (See INSTRUMENT PANEL AND GAUGES)

NOTE: Rivet 925784 used to attach items 1 thru 8

CLICK HERE TO **DOWNLOAD** THE COMPLETE MANUAL

- Thank you very much for reading the preview of the manual.
- You can download the complete manual from: www.heydownloads.com by clicking the link below



- Please note: If there is no response to CLICKING the link, please download this PDF first and then click on it.

CLICK HERE TO **DOWNLOAD** THE COMPLETE MANUAL