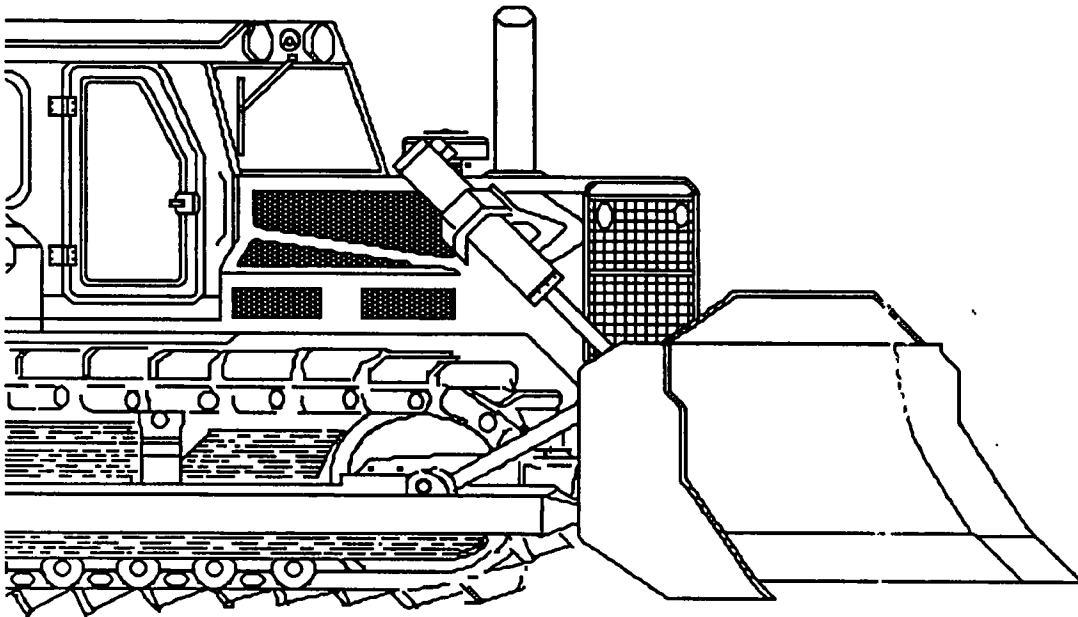




21-C

Crawler Tractor

PARTS CATALOG



FORM 73126645 ENGLISH
Reprint 5/89

CLICK HERE TO **DOWNLOAD** THE COMPLETE MANUAL

- Thank you very much for reading the preview of the manual.
- You can download the complete manual from: www.heydownloads.com by clicking the link below



- Please note: If there is no response to CLICKING the link, please download this PDF first and then click on it.

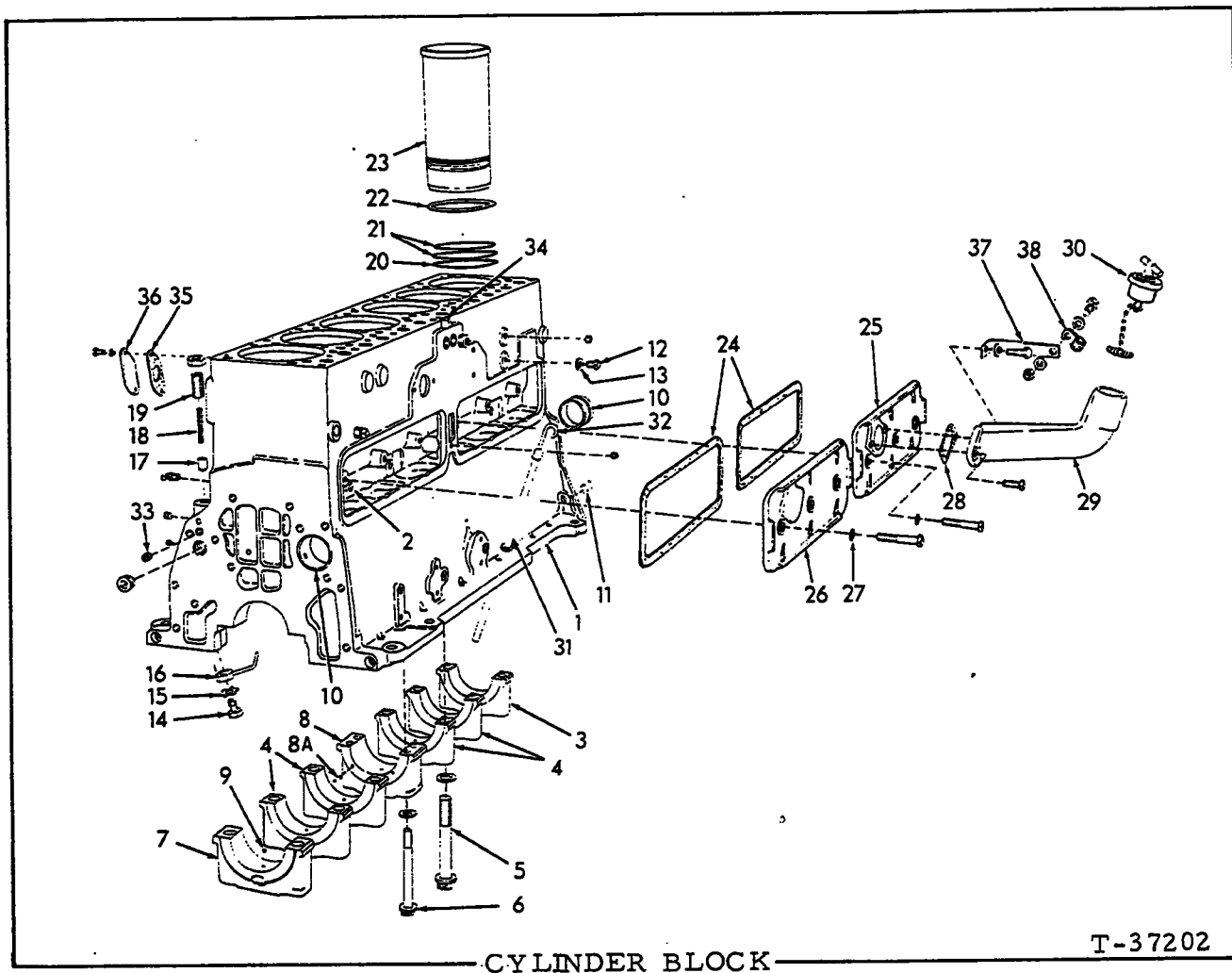
CLICK HERE TO **DOWNLOAD** THE COMPLETE MANUAL

PACKAGED PARTS

PACKAGE NO.

DESCRIPTION

74396006 (Cont'd)	GASKET KIT, intermediate, engine cylinder block (Does not include cylinder head or oil pan gaskets)	
1	74371027	GASKET, gear housing hole cover
2	74371160	GASKET, heat exchanger
1	74371289	GASKET, oil pan cover (Discard)
3	74371345	GASKET, oil tube (Discard)
1	74371742	GASKET, cover
1	74376398	GASKET, water pump
1	74376603	GASKET, accessory drive
1	74376609	GASKET, gear housing cover
7	74376749	WASHER, push rod cover capscrew
2	74377120	GASKET, push rod cover
2	74378112	GASKET, lower by-pass flange
1	74379070	SEAL, oil pan (Discard)
1	74385317	GASKET, water manifold (Discard)
1	74385320	GASKET, bonnet (Discard)
1	74386223	GASKET, bonnet
1	74386495	GASKET, water and oil manifold, lower
1	74386856	GASKET, heat exchanger (Discard)
1	74387525	GASKET, cover (Discard)
1	74389291	GASKET, water and oil manifold, upper (Discard)
1	74389635	GASKET
1	74389676	GASKET, heat exchanger
1	74389678	GASKET, heat exchanger
3	74389782	GASKET, oil tube (Discard)
1	74390432	GASKET, housing cover
4	74393359	GASKET, oil lines
1	74394673	GASKET, timing hole cover (Discard)
1	74396000	GASKET, timing gear housing cover (Discard)
1	74394678	GASKET, timing gear housing (Discard)
1	74660423	GASKET, oil line (Discard)
1	74660492	GASKET, gear housing



CYLINDER BLOCK

T-37202

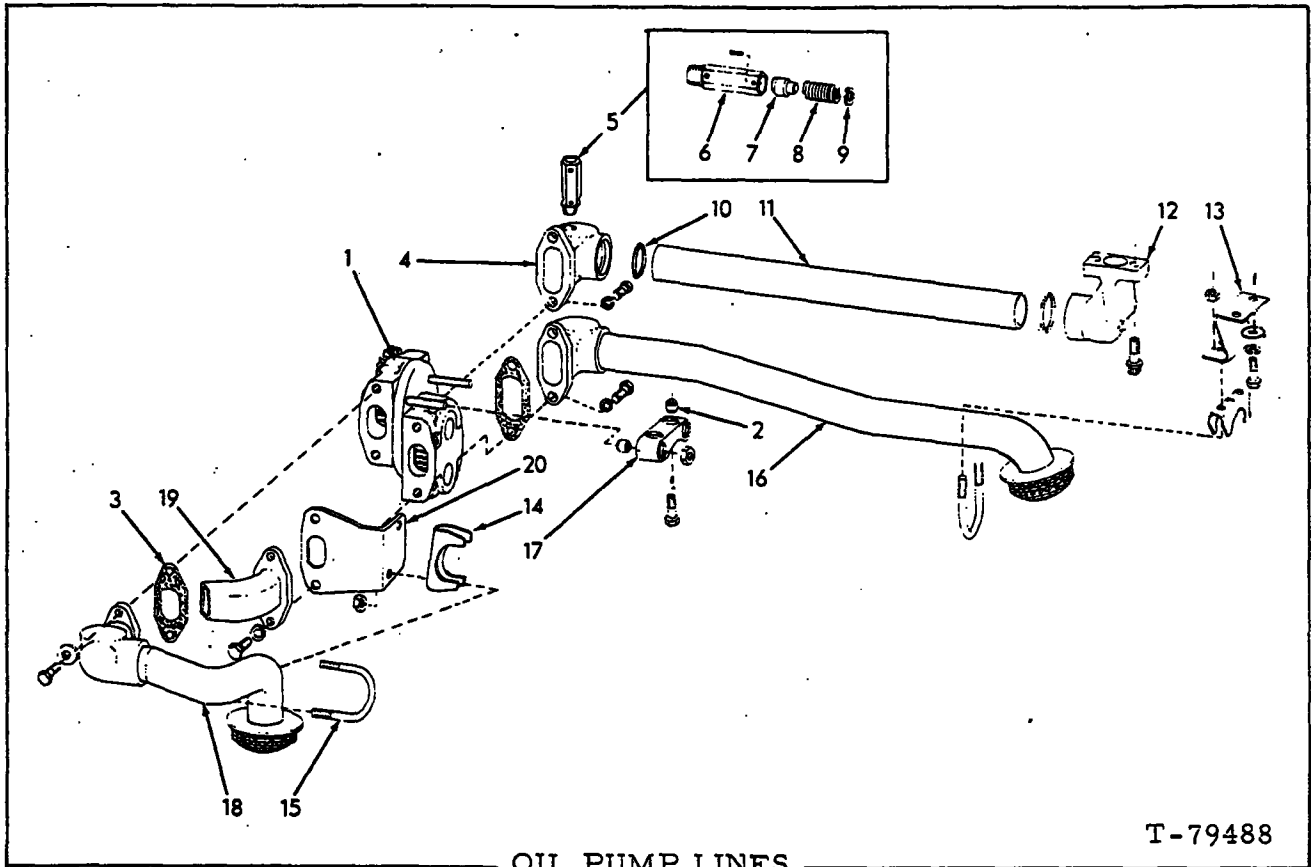
ITEM	PART NO.	QTY.	DESCRIPTION
1	74396091	1	BLOCK ASSY., cylinder(Piston cooled engines with cooling jets in cylinder block wall)(Includes items 2 thru 13, 37, 38 and items indented below)
	74255491	1	PLUG, pipe, (Top deck), 1/4"
	70919134	1	PLUG, pipe, hex-hd., 1/8"NPT
	70919840	3	PLUG, pipe, hex-hd., 1/4"NPT
	70919850	4	PLUG, pipe, hex-ckt., 1/4"NPT
	70919887	1	PLUG, pipe, hex-ckt., 3/8"NPT
	70920416	1	PLUG, pipe, hex-hd., 1/2"NPT
	70917970	2	PLUG, pipe, hex-ckt., 1/2"NPT
	70918851	2	PLUG, pipe, hex-ckt., 3/4"NPT
	74255363	1	COCK, water drain
	74362338	1	PLUG, oil gauge hole
2	-----	4	DOWEL (See page 24)
3	74395099	1	*CAP, rear
4	74395103	4	*CAP, intermediate
5	74393397	12	CAPSCREW
6	74391307	4	CAPSCREW
7	74395101	1	*CAP, front
8	74395108	1	*CAP, center

(Continued)

CYLINDER HEAD

ITEM	PART NO.	QTY.	DESCRIPTION
1	74394445	2	HEAD ASSY., cylinder (Includes items 2 thru 9 and plugs indented below)
	74255490	8	PLUG, pipe, hex-socket, 1/8"NPT
	74255491	2	PLUG, pipe, hex-socket, 1/4"NPT
	74255577	26	PLUG, pipe, hex-socket, 3/4"NPT
2	74386413	12	PIN
3	74392051	6	SLEEVE
4	70926672	6	O-RING
5	74392052	6	NUT
6	74390547	12	GUIDE, intake valve
7	74396560	12	GUIDE, exhaust valve
8	74392053	12	INSERT (standard size)
	74392068	12	INSERT (.005" oversize)
9	74386628	12	INSERT (standard size)
	74386653	12	INSERT (.005" oversize)
10	74386790	12	VALVE, intake
11	74392054	12	VALVE, exhaust
12	74389685	24	SEAT
13	-----	24	SPRING ASSY. (First type)(Includes item 14) (Order 74396664)
	74396664	24	SPRING(Second type with integral damper)
14	-----	24	DAMPER(Used with first type spring)
15	74389397	24	ROTOCOIL ASSY. (Serviced only as a unit)
16	-----	-	RETAINER (Order item 15)
17	74376497	48	LOCK
18	74396409	2	<input type="checkbox"/> GASKET ASSY. (Includes instruction sheet)
19	74391306	26	SCREW (5/8"NC x 7")
20	74391307	2	SCREW (5/8"NC x 6")
21	74393443	8	SCREW (3/4"NC x 7-1/4")
22	74393989	2	<input checked="" type="checkbox"/> GASKET
23	74394928	2	COVER,
	70916272	4	CAPSCREW, 3/8"NC x 1-1/4"
	70904206	4	LOCKWASHER, 3/8"
	70913544	4	WASHER
24	74389961	2	<input checked="" type="checkbox"/> GASKET
25	74387726	1	COVER, rear
	74386901	1	COVER, front
26	74254873	8	<input type="checkbox"/> WASHER
27	70921405	8	CAPSCREW, 3/8"NC x 6"

(Revised June 1981)



OIL PUMP LINES

T-79488

ITEM	PART NO.	QTY.	DESCRIPTION
1	-----	1	PUMP ASSY. (See pages 32, 33 and 33A)
	70914678	2	LOCKWASHER, 7/16"
	70928212	2	NUT, 7/16"NC
2	74395024	4	DOWEL
3	74393359	2	GASKET
4	74393362	1	ELBOW (Engine prior to S/N 21-15505)
	74395971	1	ELBOW (Engine S/N 21-15505 and up)
	70923193	2	CAPSCREW, 3/8"NF x 1-1/4" (Engine prior to S/N 21-15505)
	70924228	2	CAPSCREW, 3/8"NF x 1-1/2" (Engine S/N 21-15505 and up)
	70916543	2	LOCKWASHER, internal teeth, 3/8"
5	-----	1	VALVE ASSY. (170 - 180 psi)(Stamped 4320597) (Includes items 6 thru 9)(Order 74036462)
	74036462	1	VALVE ASSY. (120 - 130 psi)(Stamped 4028887) (Includes items 6 thru 9)
6	-----	1	BODY (Not serviced separately)
	70916001	1	PIN, spring, 3/16" x 1"
7	-----	1	PISTON (Not serviced separately)
8	74354568	1	SPRING (170 - 180 psi)(Use 74028888)
	74028888	1	SPRING (120 - 130 psi)
9	74359310	1	WASHER
10	70927044	2	O-RING
11	74393364	1	TUBE

(Continued)

OIL FILTER (By-pass type)(Continued)

ITEM	PART NO.	QTY.	DESCRIPTION
*	**		
21	74060755	1 -	COCK
	70229210	- 1	COCK
22	70084897	1 -	PLUG
23	70084899	1 -	WASHER
24	74061786	- 1	BRACKET ASSY. (2-piece, includes hardware. Serviced only as a unit)
25	74059810	- 1	CAGE
26	74059811	- 1	SPRING
27	74059812	- 1	DISC
28	74253555	- 1	RING
29	74061789	- 1	VALVE, check

} First type. Order item 29

FUEL INJECTION PUMP

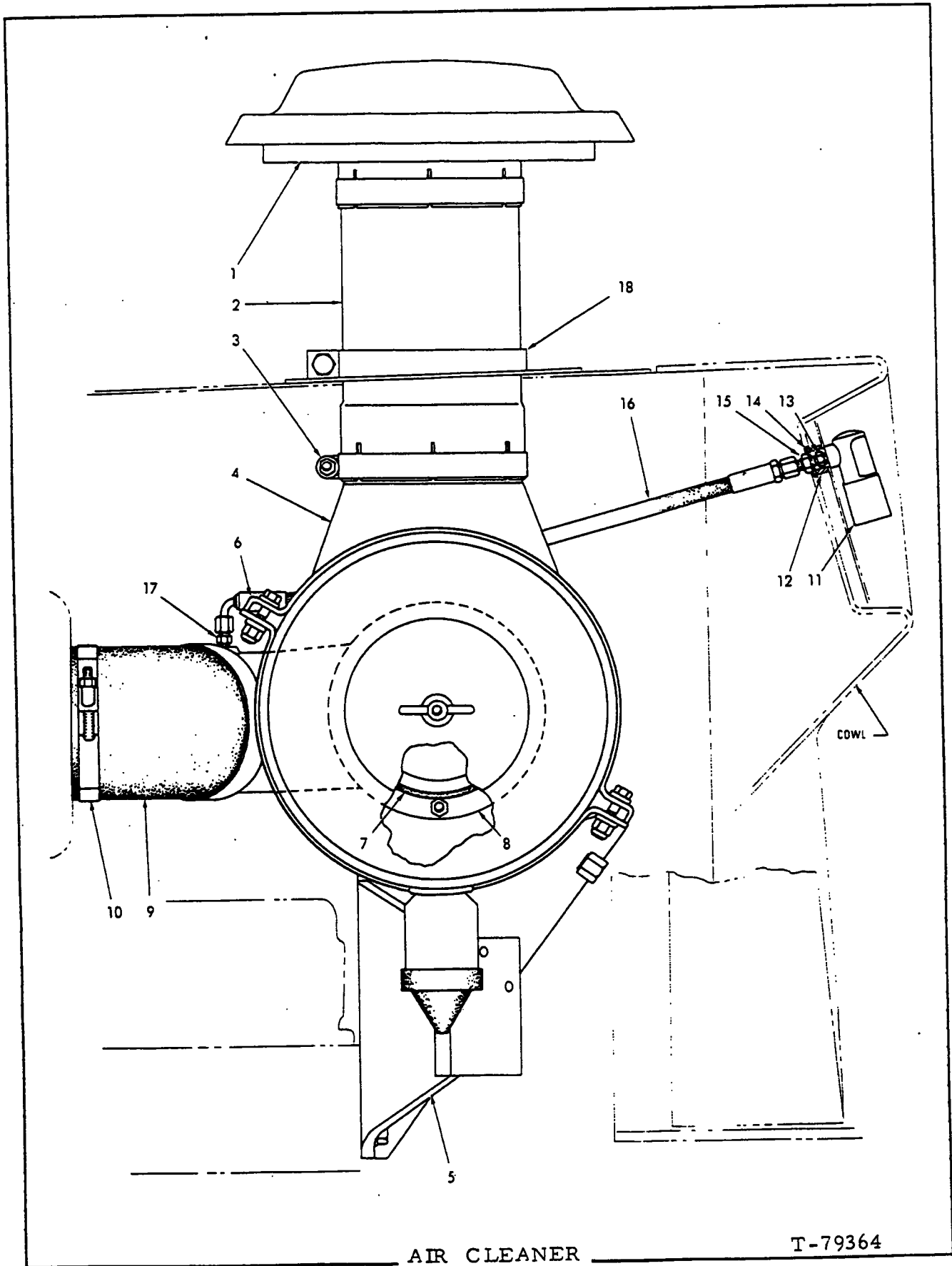
USAGE: 21000MKII engines. See page 49A for second type.

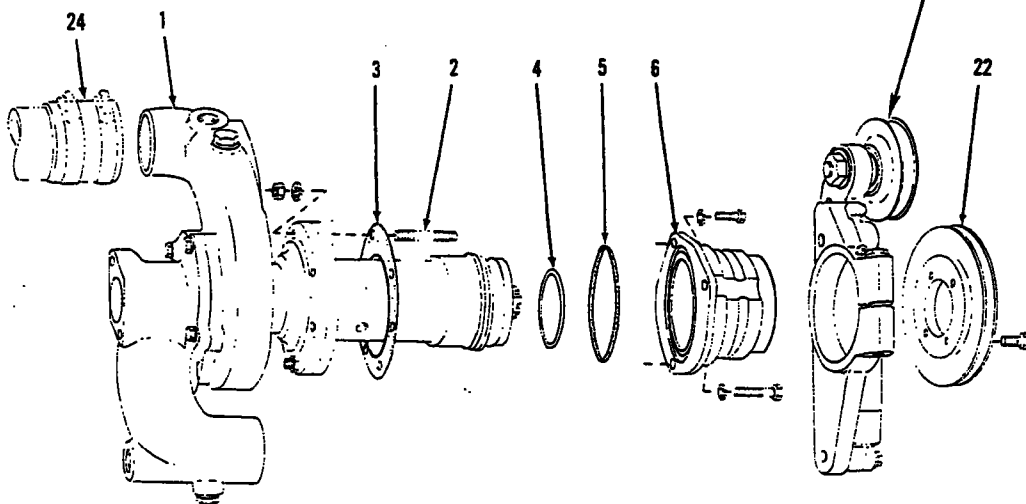
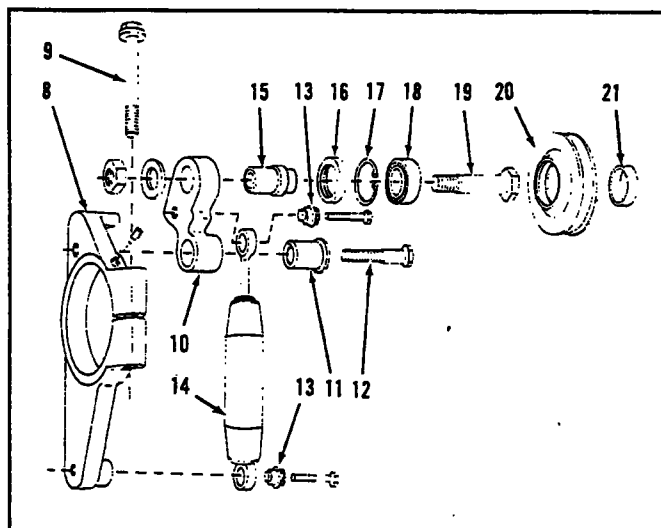
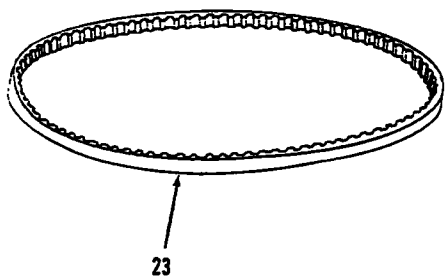
ITEM	PART NO.	QTY.	DESCRIPTION
1	74061637	1	PUMP KIT, injection (Includes item 2)(Service replacement for original factory adjusted PUMP ASSY. 74394741)
	70919015	4	CAPSCREW, 3/8"NC x 3-1/2"
	70904206	4	LOCKWASHER, 3/8"
	70913544	4	WASHER
	70905845	1	KEY, woodruff, 1/4" x 7/8"
2	74394009	1	COUPLING (Includes items 3 thru 11)
3	74394318	1	CLAMP
	70927322	1	CAPSCREW, 3/8"NF x 2" } Clamping
	70910287	1	LOCKWASHER, 3/8" }
4	70921076	2	CAPSCREW, 3/8"NC x 1-1/4"
	70677006	2	WASHER
5	74060643	1	FLANGE
6	74061040	1	COVER
7	74060645	2	INSERT
8	74060646	6	SPIDER (rubber)
9	74061041	1	HUB
10	70915343	3	CAPSCREW, 1/4"NC x 5/8"
	70904204	3	LOCKWASHER, 1/4"
	70911114	3	WASHER
11	74061042	1	SHIELD
12	74394301	1	BRACKET
	70916311	4	CAPSCREW, 1/2"NC x 1-1/4"
	70904208	4	LOCKWASHER, 1/2"
13	74255665	2	O-RING
14	74253286	2	PIN, dowel
15	74394302	2	DOWEL
16	74392402	1	TUBE ASSY. (Includes SLEEVES and NUTS)
	70917810	2	NUT, Imperial, 3/8" tube
	70917807	2	SLEEVE, Imperial, 3/8" tube (rubber)
	70920280	1	ELBOW, Imperial, 3/8" tube, 1/4"NPT (at pump)
17	74392439	1	TUBE ASSY. (Includes SLEEVES and NUTS)
	70917810	2	NUT, Imperial, 3/8" tube
	70917807	2	SLEEVE, Imperial, 3/8" tube (rubber)
	70920279	1	CONNECTOR, Imperial, 3/8" tube 1/4"NPT (at governor)
18	74355843	1	SEAL
19	74394306	1	TUBE ASSY. (Includes SLEEVES and NUTS)
	70917810	2	NUT, Imperial, 3/8" tube
	70917807	2	SLEEVE, Imperial, 3/8" tube (rubber)
	70920790	1	ELBOW, Imperial, 3/8" tube, 1/8"NPT (at pump)
	70927139	1	ELBOW, Imperial, 3/8" tube, 1/4"NPT female } at block
	70913112	1	NIPPLE, pipe, hex, 1/4" x 1/4" }
20	70921841	1	TEE, service, Imperial, 3/8" tube, 1/4"NPT (at bracket)

THROTTLE CONTROL (Continued)

ITEM	PART NO.	QTY.	DESCRIPTION
12	70690560	1	TUBE ASSY. (Tractors prior to unit #21252) (Includes item 13)
	73109377	1	TUBE ASSY. (Tractors unit #21252 and up)(Includes item 13)
	70922763	2	CAPSCREW, 3/8"NC x 1"
	70677006	2	WASHER
13	70697326	2	BUSHING
14	70690681	1	ROD
	70911048	1	NUT, jam, 3/8"NF
15	70628736	1	YOKE
16	70690555	1	FRICITION ASSY. (Includes items 17 thru 25)
17	70632766	1	HOUSING ASSY. (Includes item 18)
	70920585	2	CAPSCREW, 1/2"NC x 1-3/4"
	70677008	2	WASHER
	70911028	2	NUT, 1/2"NC
18	70632752	1	BUSHING
19	70690556	1	SHAFT
	70687222	1	LOCKWASHER
	70916591	1	NUT, elastic stop, 3/4"NF
20	70916024	1	KEY, straight, 3/16" x 3/16" x 1-1/4"
21	70632716	1	KEY
22	70652350	1	LEVER ASSY. (Includes item 23)
23	70624584	1	BUSHING
24	70632710	2	WASHER
25	70632747	2	DISC
26	70633123	1	LEVER
	70920660	1	CAPSCREW, 5/16"NC x 1-1/2"
	70910286	1	LOCKWASHER, 5/16"
	70910323	1	NUT, 5/16"NC
27	70632716	1	KEY
28	70666795	1	LEVER ASSY. (Includes items 29 and 30)
29	70631476	1	BUSHING (large)
30	70624584	2	BUSHING (small)
31	70910244	2	WASHER, plain, SAE std., 1/2"
	70900806	2	PIN, cotter, 1/8" x 1"
32	70690559	1	ROD (Tractors prior to unit #21812 excluding #21757, 21761 and 21767)
	73117380	1	ROD (Tractors unit #21812 and up including #21757, 21761 and 21767)
33	70674774	1	BELLCRANK ASSY. (Includes items 34, 35 and 36)
34	70624584	1	BUSHING, 3/8" long
35	70631476	1	BUSHING, 7/8" long
36	70624585	1	BUSHING, 1/4" long
37	70680894	1	BRACKET
	70928873	2	CAPSCREW, Nylok, 1/2"NC x 1"
	70912441	2	LOCKWASHER, 1/2"
38	70690932	1	SPACER
	70922508	1	CAPSCREW, Nylok, 1/2"NC x 1-1/2"
	70928460	1	WASHER, plain, 1/2"
39	70921565	1	CAPSCREW, throttle stop, 3/8"NC x 1-1/2"
	70911034	1	NUT, jam, 3/8"NC (Continued)

Tractors
prior to
unit #21812
excluding
#21757,
21761 and
21767





WATER PUMP

T-75043

(Revised July 1980)

FAN DRIVE (Continued)

ITEM	PART NO.	QTY.	DESCRIPTION
9	-----	1	HUB (1-1/2" thick)(Tractors prior to unit #21886 including #21891, order 1 each Hub 73122553, Nut 70913798)
	73122553	1	HUB (2" thick)(Tractor unit #21886 and up excluding #21891)
10	70932932	3	KEY, #13 woodruff, 3/16" x 1" (One less used on units without Air Conditioned Cab)
11	70696128	1	SPACER (Not used with Air Conditioned Cab)
	70695779	1	SPACER
12	70696325	1	PULLEY } Units with Air Conditioned Cab only

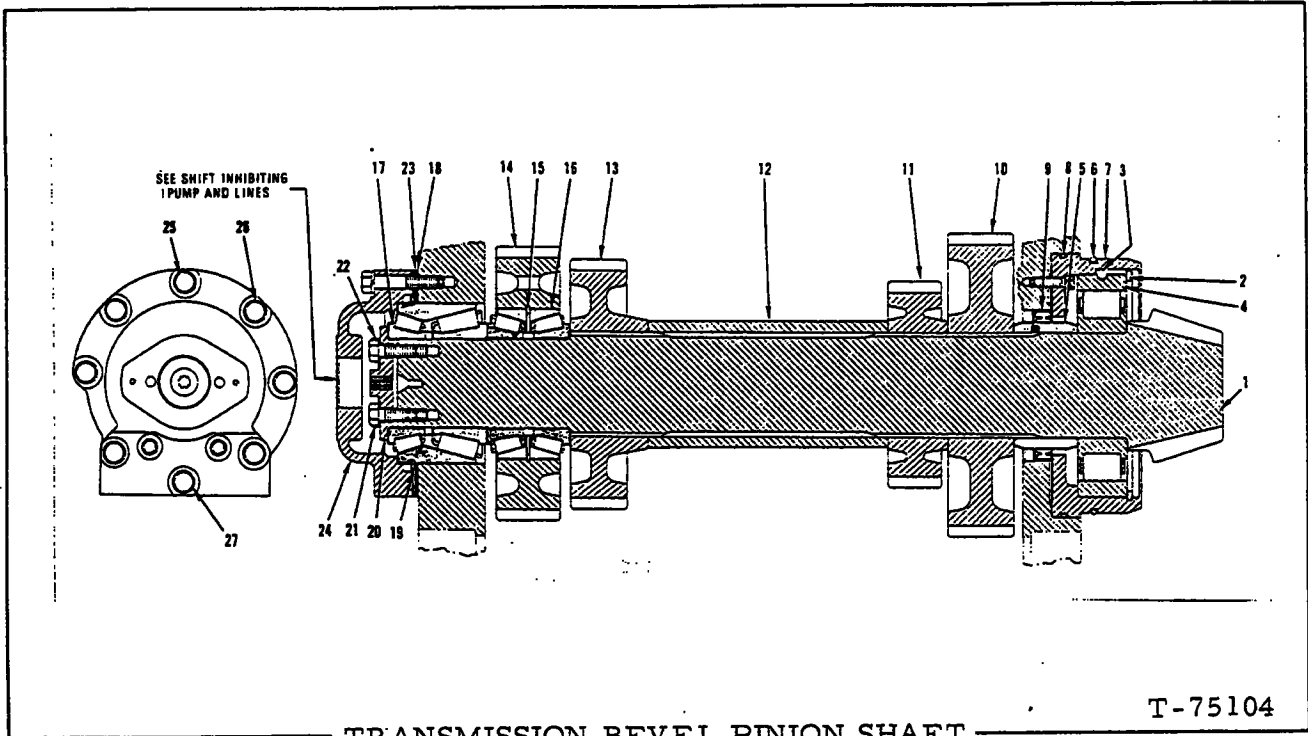
TORQUE CONVERTER SUB-ASSEMBLY

USAGE: See page 89

ITEM	PART NO.	QTY.	DESCRIPTION
1	70657949	1	HOUSING
2	70668281	1	CARRIER
3	70921566	4	CAPSCREW, 5/16"NC x 1"
4	70681070	5	RING, sealing
5	70696850	1	BEARING
6	70657944	1	CARRIER
7	70186531	1	RING
8	70657947	1	HUB
	70923276	20	CAPSCREW, 3/8"NF x 1"
9	70657941	1	WHEEL
10	70657955	1	RING, clamping
11	70657951	1	RACE
12	70658116	1	BEARING
13	70657953	1	RACE
14	70657954	2	RING
15	70657943	1	WHEEL
16	70657945	1	CARRIER ASSY. (Includes item 17)
17	70689368	1	BUSHING
18	70657952	2	RACE
19	70658115	1	BEARING
20	70665771	1	RING, sealing
21	70657948	1	HUB
22	70657942	1	WHEEL
	70927173	36	CAPSCREW, 3/8"NC x 1-1/8"
	70657956	36	WASHER
23	70657950	1	PLATE
	70922763	12	CAPSCREW, 3/8"NC x 1"
24	70657988	1	SUPPORT ASSY. (Includes bushing which is not serviced separately)
	70920582	7	CAPSCREW, 1/2"NC x 1-1/4"
25	70657985	1	HOUSING ASSY., (Includes items 26 and 27)
	70926292	1	CONNECTOR, flare type, 1/4" tube, 9/16"NF male end (Includes O-RING)
	70921467	1	CAP, flare type, 1/4" tube
	70921885	1	O-RING
26	70669020	1	TUBE
27	70669021	1	CLAMP
	70903628	1	CAPSCREW, 3/8"NC x 5/8"
	70657956	1	WASHER
28	70188309	2	PIN
29	70657999	1	TUBE
30	70657998	1	SHAFT
31	73134163	1	BEARING
32	73126336	1	<input type="checkbox"/> SEAL
33	70658026	1	<input type="checkbox"/> GASKET
34	70657994	1	CARRIER
	70921076	6	CAPSCREW, 3/8"NC x 1-1/4"
35	70657993	1	ADAPTER

(Continued)

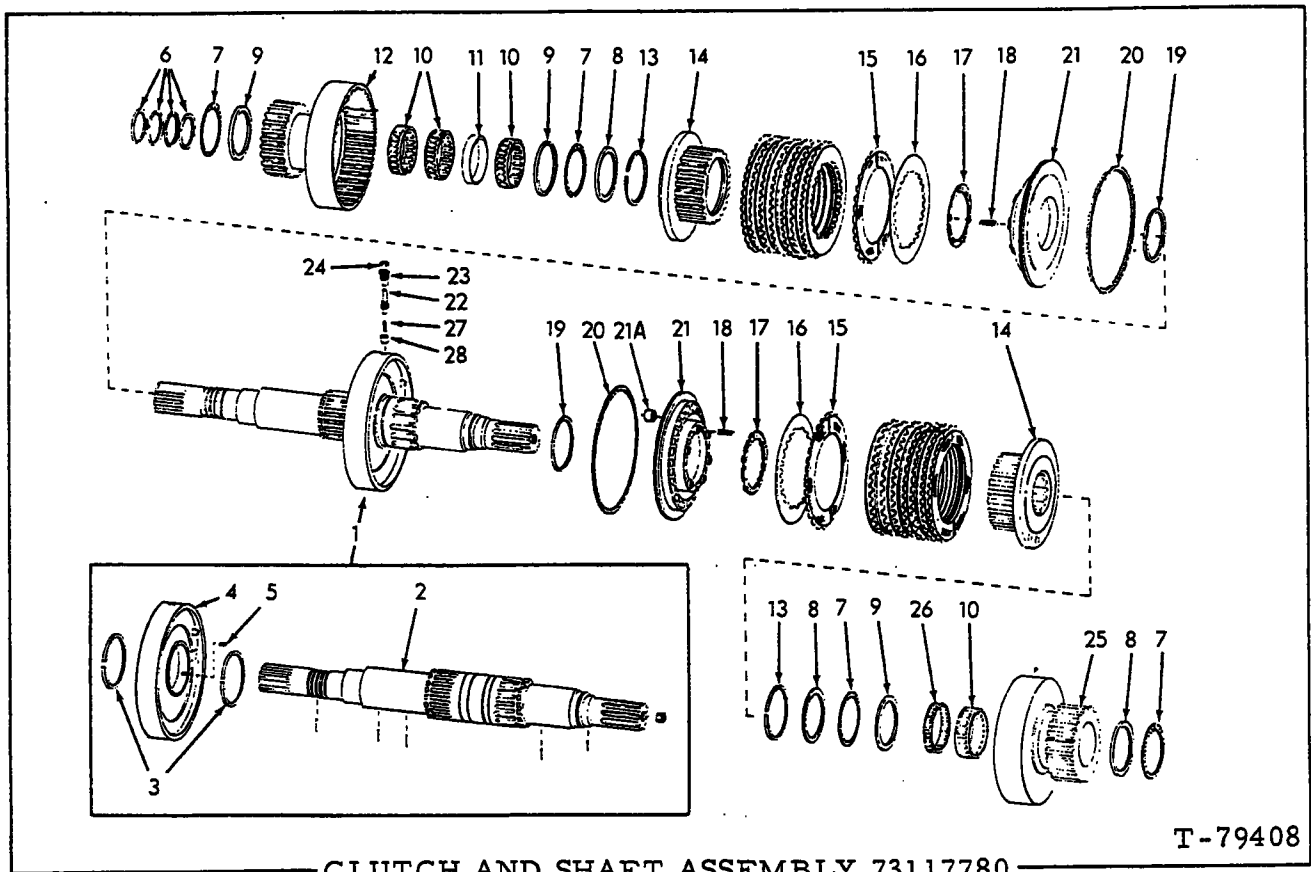
(Revised May 1982)



ITEM	PART NO.	QTY.	DESCRIPTION
1	70656790	1	PINION (12 teeth)(Tractors prior to unit #21869)
	73116296	1	PINION (12 teeth)(Tractor unit #21869 and up)
2	70629355	1	RING
3	70905360	1	BALL (3/8" diam.)
4	70644337	1	BEARING, roller
5	70657313	1	SPACER
6	70925241	1	O-RING
7	70653740	1	RETAINER
	70917733	6	CAPSCREW, socket-hd., 3/8"NC x 1-1/4"
8	70925652	1	O-RING
9	70648619	1	SEAL
10	70656594	1	GEAR, first speed (59) teeth)
11	70656593	1	GEAR, third speed (39) teeth)
12	73110705	1	SLEEVE ASSY. (Includes PIN indented below)
	70681103	1	PIN
13	70656597	1	GEAR, second speed (48) teeth)
14	73126237	1	GEAR, idling (53) teeth)
15	70629138	1	RING
16	70657324	1	BEARING, roller (Includes 2 roller assemblies, 2 cups, and 1 spacer. Serviced only as a unit.)
17	70657318	1	BEARING, roller (Includes 2 roller assemblies, 1 cup and 1 spacer. Serviced only as a unit)
18	70657315	7	SHIM (.005" thick)
	70657316	5	SHIM (.007" thick)
	70657317	7	SHIM (.010" thick)
			} Use as required
19	70657302	1	RING
20	70662411	1	RETAINER, inner
21	70922726	3	CAPSCREW, 1/2"NF x 1-1/2"
22	70629358	1	PLATE, capscrew, locking

(Continued)

(Revised June 1980)



CLUTCH AND SHAFT ASSEMBLY 73117780

T-79408

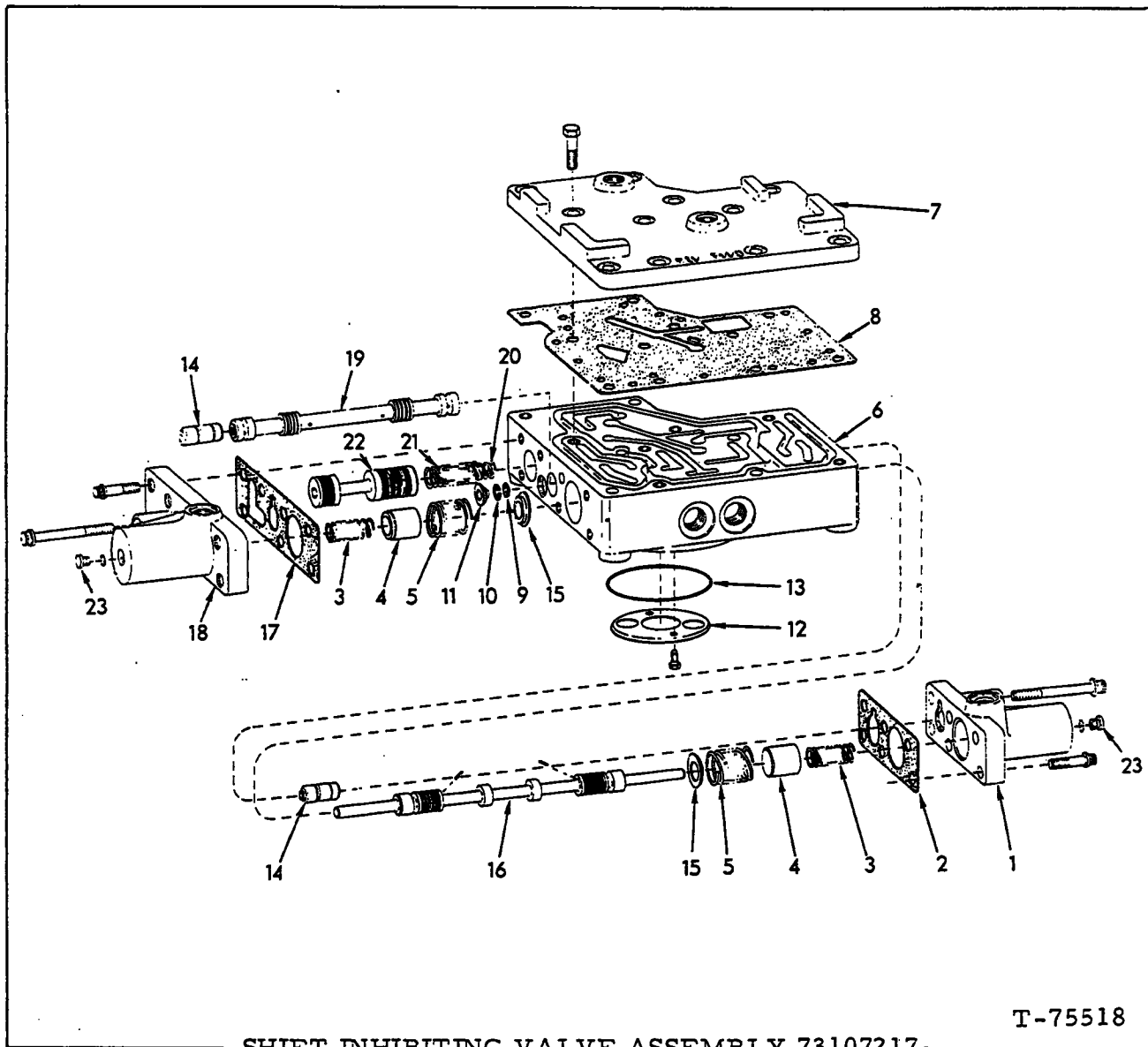
ITEM	PART NO.	QTY.	DESCRIPTION
1	73107693	1	SHAFT AND HOUSING ASSY. (Includes items 2 thru 5)
2	-----	1	SHAFT (Not serviced separately)
	70919242	4	PIN, spring, 1/8" x 3/8"
	70918547	1	PIN, spring, 1/8" x 1/2"
	70907859	1	PLUG, pipe, hex-socket, 1/4"NPT
3	70688799	2	RING
4	73107822	1	HOUSING ASSY. (Serviced only as a unit)
5	70695625	1	PIN
6	70681070	4	RING
7	73037597	4	BEARING
8	73037598	3	WASHER
9	70699049	3	WASHER
10	73037656	4	BEARING, roller (1-1/2" wide)
11	70656980	1	SPACER
12	70699206	1	GEAR AND DRUM, reverse
13	70688799	2	RING
14	70695751	2	HUB
15	-----	16	PLATE (bi-metal)(Diamond grooved pattern)(Tractors prior to unit #21927, Order 8 PLATE 79017821 for each clutch serviced)
	79017821	16	PLATE (bi-metal)(Square grooved pattern)(Tractor unit #21927 and up)
16	70688802	16	PLATE (flat)

(Continued)

'Revised July 1980)

TRANSMISSION TEST PANEL AND LINES

ITEM	PART NO.	QTY.	DESCRIPTION
1	70699871	1	ANGLE
	70922763	2	CAPSCREW, 3/8" NC x 1"
	70677006	2	WASHER
2	70659365	9	UNION
	70910876	9	NUT, jam, 7/16" NF
	70921467	9	CAP, flare type, 1/4" tube
3	70699866	1	HOSE, transmission pump (See HOSE PARTS)
4	70699862	1	HOSE, converter (See HOSE PARTS)
5	70673083	1	BRACKET
	70921076	2	CAPSCREW, 3/8" NC x 1-1/4"
	70677006	2	WASHER
6	70673071	1	BLOCK
7	70673085	1	TUBE
8	70699864	1	HOSE, forward (See HOSE PARTS)
	70919140	1	CONNECTOR, flare type, 1/4" tube, 1/4" NPT male
9	70699863	1	HOSE, reverse (See HOSE PARTS)(Tractors prior to unit #21286)
	70919140	1	CONNECTOR, flare type, 1/4" tube, 1/4" NPT male
	70692925	1	HOSE, reverse (See HOSE PARTS)
	70926975	1	TEE, swivel, flare type, 1/4" tube, 7/16" str. thd. (Includes nut)
	70919140	1	CONNECTOR, flare type, 1/4" tube, 1/4" NPT male
			} Tractors unit #21286 and up
10	70699865	1	HOSE, modulating clutch (See HOSE PARTS)
11	70699868	1	HOSE, lube (See HOSE PARTS)
	70924044	1	ELBOW, swivel, 90°, flare type, 1/4" tube, 7/16" str. thd. (Tractors unit #21286 and up)
12	70699869	1	HOSE, 1st speed (See HOSE PARTS)
	70919140	1	CONNECTOR, flare type, 1/4" tube, 1/4" NPT male
13	70699870	1	HOSE, 2nd speed (See HOSE PARTS)
	70919140	1	CONNECTOR, flare type, 1/4" tube, 1/4" NPT male
14	70699867	1	HOSE, 3rd speed (See HOSE PARTS)
	70919140	1	CONNECTOR, flare type, 1/4" tube, 1/4" NPT male
15	70925442	5	TIE
16	70926707	1	CLAMP



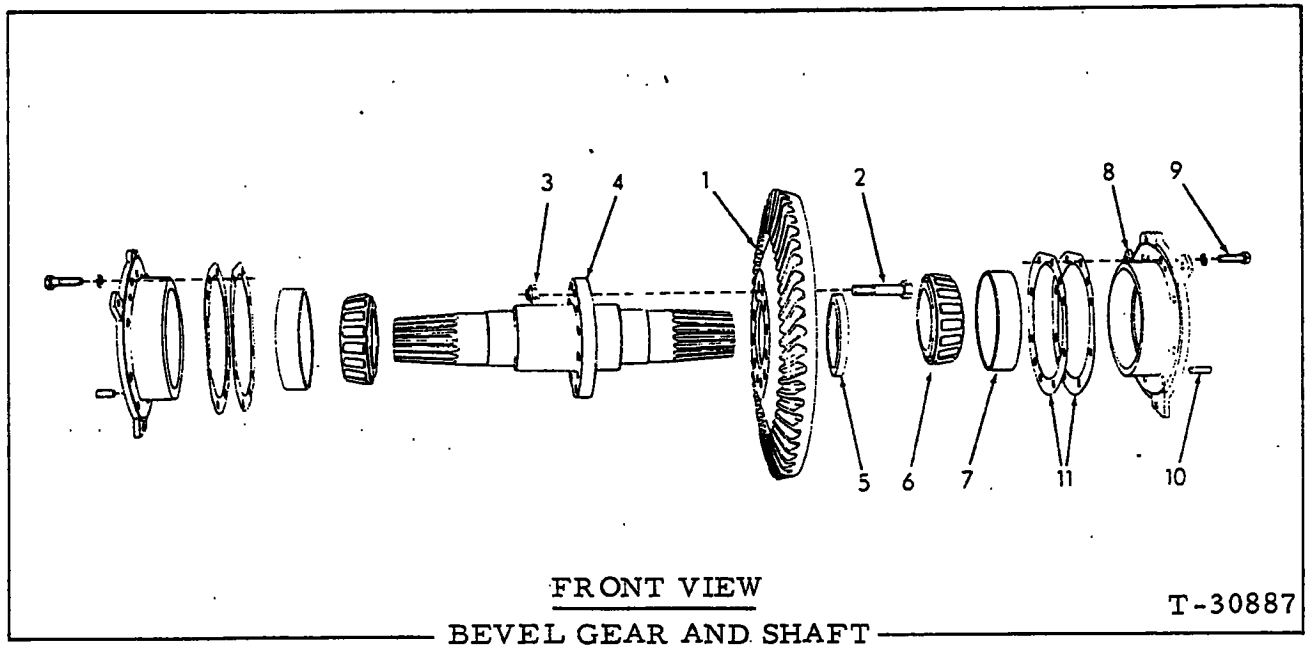
SHIFT INHIBITING VALVE ASSEMBLY 73107217

T-75518

USAGE: See page 131

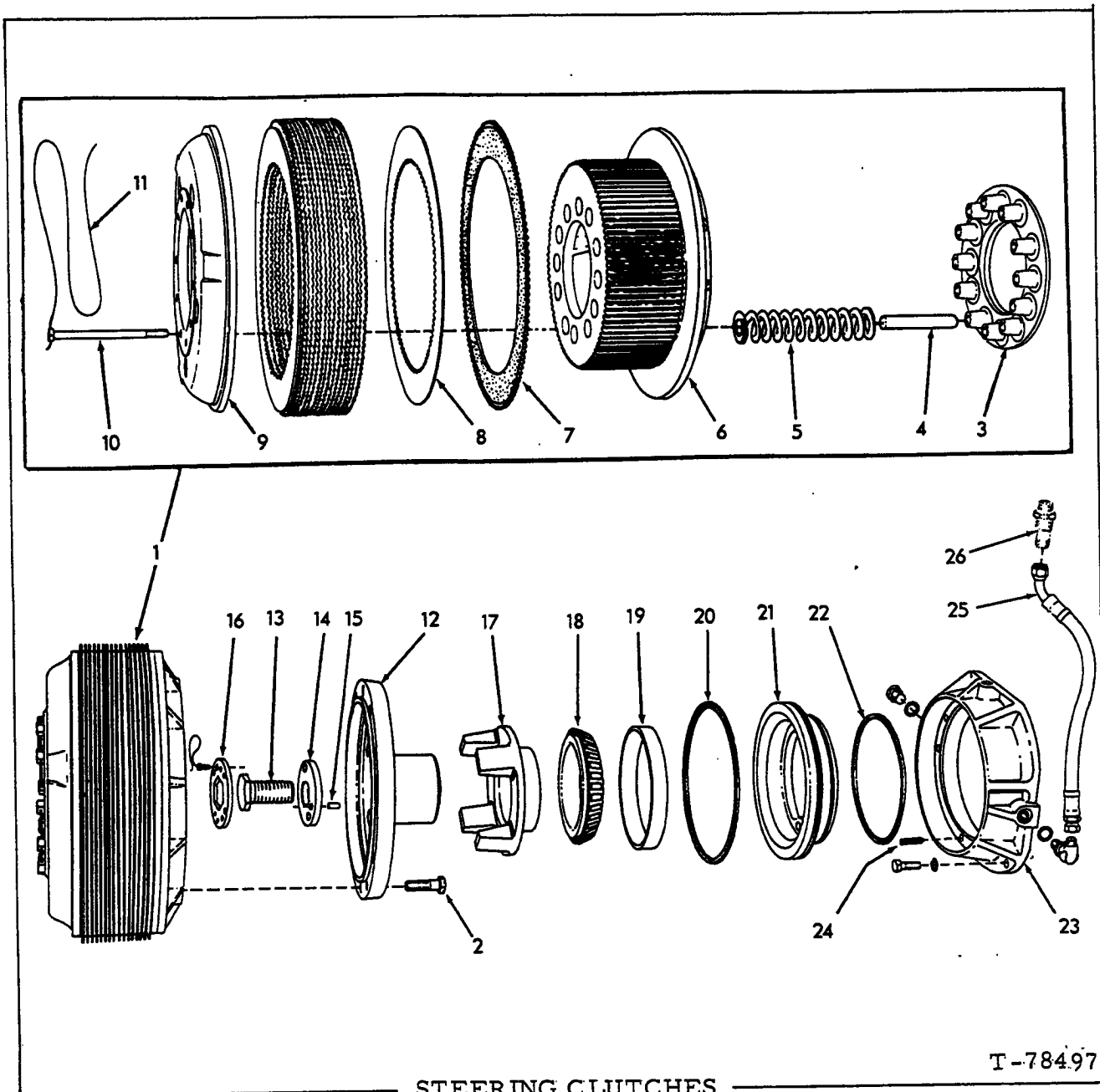
ITEM	PART NO.	QTY.	DESCRIPTION
1	70677439	1	COVER
	70922820	4	CAPSCREW, 12-pt., 3/8"NC x 1-1/4"
	70927652	1	CAPSCREW, 12-pt., 3/8"NC x 3-3/4"
2	70677438	1	GASKET
3	70189269	2	SPRING
4	70664655	2	PISTON
5	70669454	2	SPRING
6	-----	1	BODY (Not serviced separately)
7	70667634	1	COVER
	70927173	8	CAPSCREW, 3/8"NC x 1-1/8"

(Continued)



ITEM	PART NO.	QTY.	DESCRIPTION
1	70682606	1	GEAR, bevel (45 teeth)(Tractors prior to unit #21851)
	73116311	1	GEAR, bevel (45 teeth)(Tractor unit #21851 and up)
2	70696121	12	CAPSCREW
3	70645319	12	NUT, elastic stop, 3/4"NF
4	70686437	1	SHAFT
5	70682595	1	RING
6	70051989	2	CONE ASSY.
7	70051988	2	CUP
8	70682602	-	CAGE ASSY. (Includes item 10)
9	70921556	16	CAPSCREW, 1/2"NC x 2"
	70912441	16	LOCKWASHER, 1/2"
10	70682598	4	PIN
11	70067483	12	SHIM (.005" thick)
	70067484	10	SHIM (.007" thick)
	70067485	4	SHIM (.030" thick)

} Use as required



ITEM	PART NO.	QTY.	DESCRIPTION
1	70623010	2	CLUTCH ASSY. (Consists of items 3 thru 11)
2	70650812	24	BOLT, 5/8"NC x 2"
3	70051836	2	PLATE
4	70052118	20	SPACER
5	70623016	20	SPRING
6	70650691	2	HUB
7	70623017	32	DISC

(Continued)

STEERING PUMP PARTS (Continued)

ITEM	PART NO.	QTY.	DESCRIPTION
22	73108945	1	DIAPHRAGM.
23	73122115	1	BODY
24	70678820	1	PLATE
25	70928894	4	CAPSCREW
26	70932572	4	CAPSCREW

(Added July, 1980)

CLICK HERE TO **DOWNLOAD** THE COMPLETE MANUAL

- Thank you very much for reading the preview of the manual.
- You can download the complete manual from: www.heydownloads.com by clicking the link below



- Please note: If there is no response to CLICKING the link, please download this PDF first and then click on it.

CLICK HERE TO **DOWNLOAD** THE COMPLETE MANUAL

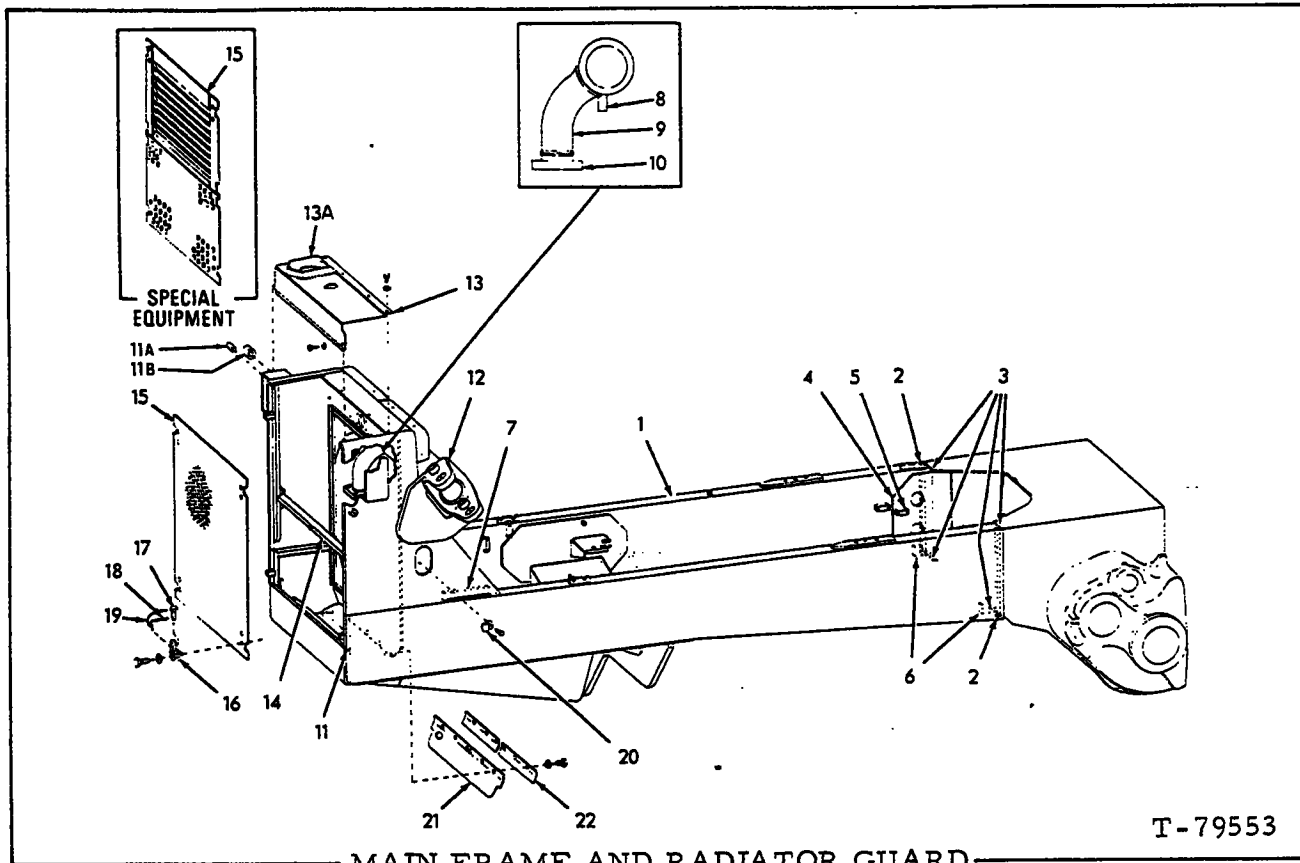
BRAKES

ITEM	PART NO.	QTY.	DESCRIPTION
1	73121283	2	BAND ASSY.
2	73121281	2	BAND ASSY. (Also order item 7)
3	70637997	2	BAND ASSY.
4	70623130	2	PIN
	70912900	4	WASHER
	70900806	4	PIN, cotter, 1/8" x 1"
5	73131138	2	SCREW
6	73121557	2	PIN
7	70653494	2	PIN
8	70687021	2	DRIVE ASSY. (Serviced only as a unit)
	70921330	2	PIN, spring, 7/32" x 1-1/8"
	70921452	2	PIN, spring, 7/32" x 1-1/2"
9	70672003	2	SPRING
10	70933459	2	O-RING
11	70623144	2	GASKET
12	70672002	2	SLEEVE
13	70623132	2	PIN
	70900808	4	PIN, cotter, 1/8" x 1-1/2"
14	70623133	2	YOKE
15	70623131	4	PIN
16	70623158	2	YOKE
17	70679312	2	LEVER ASSY. (Includes item 18)
18	70623164	2	BUSHING
19	70623182	2	BRACKET ASSY. (Includes item 20)
	70927529	12	CAPSCREW, 5/8"NF x 1-3/4"
	70930364	12	WASHER
20	70643740	2	PIN
21	70686754	2	COVER
	70927172	12	CAPSCREW, 1/2"NC x 1-1/8"
	70928460	12	WASHER
21A	70038454	2	PLUG (standard)
	70929032	2	CAPSCREW (1"NC x 6", full thread)(Special. Used only to release brakes. Refer to 21-C Operations and Maintenance Instruction Manual)
22	70672000	2	BOOT
	70921914	4	CLAMP, 2-5/16" to 3-1/4" diam.
23	70623139	4	PIN
	70910302	4	PIN, cotter, 5/32" x 1-1/4"
24	70687043	4	LINK (Two-piece)(Tractors prior to S/N 71A 22070)
24A	73128447	2	LINK (One-piece)(Tractor S/N 71A 22070 and up)
25	70638818	2	EYE
	70910847	2	NUT, jam, 3/4"NF
26	-----	2	VALVE ASSY. (See page 168)
27	70922510	4	CAPSCREW, 1/2"NC x 2-3/4"
28	70921539	4	CAPSCREW, 1/2"NC x 3-1/2"
29	70690731	1	TUBE ASSY., left
	73111525	1	TUBE ASSY., right (Also used on units equipped with "Kelley" Ripper)(Includes nuts and sleeves)
	70933481	2	ELBOW, adjustable, 90°, flare type, 5/8" tube, 7/8"NF (Includes washer and nut)
	70930724	2	O-RING
	70919472	2	CONNECTOR, flare type, 5/8" tube, 1/2"NPT male

} Each includes bonded linings. Refer to item 35

(Continued)

(Revised May 1982)



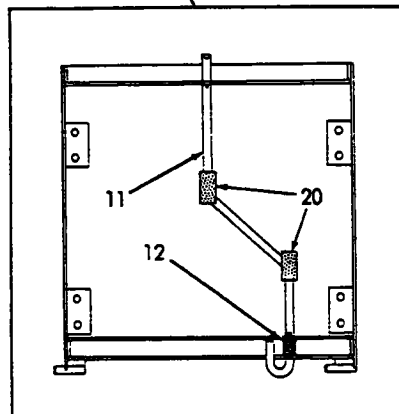
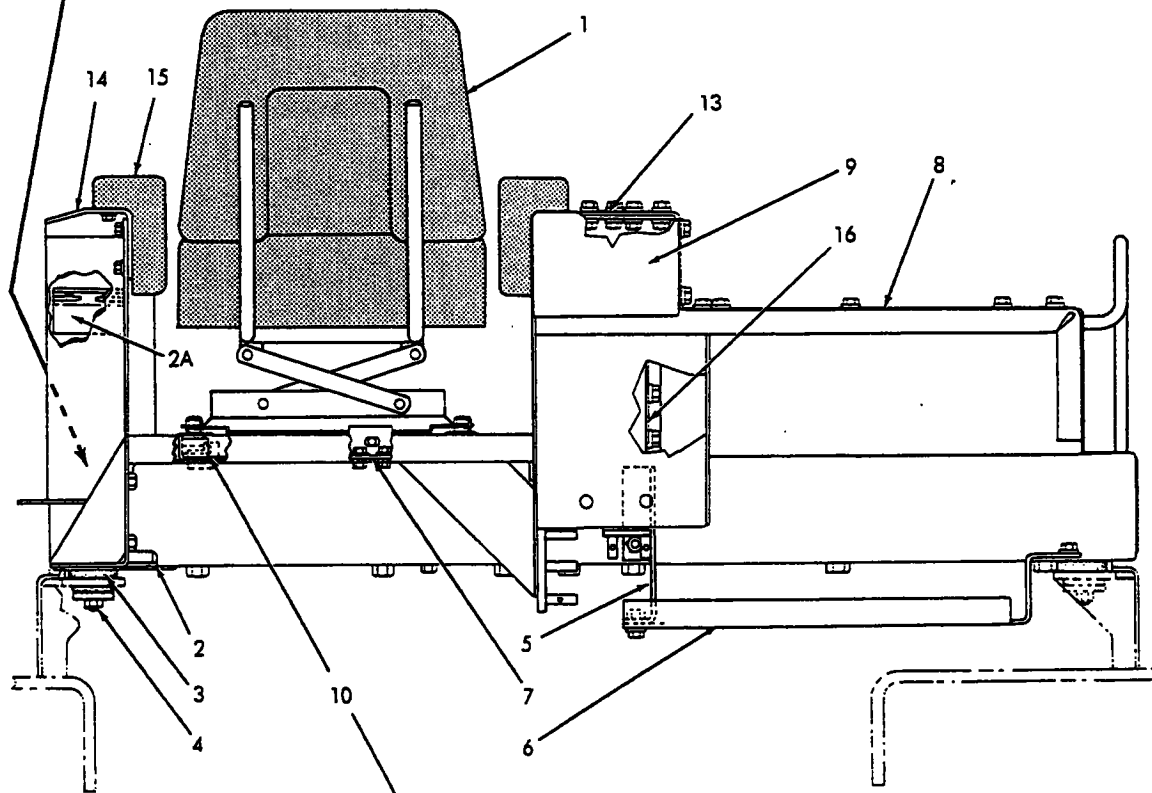
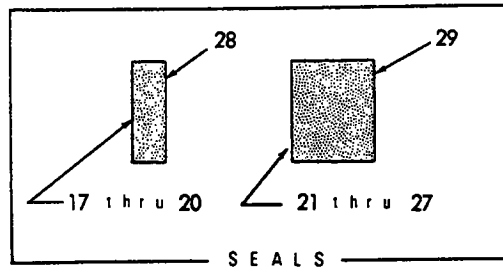
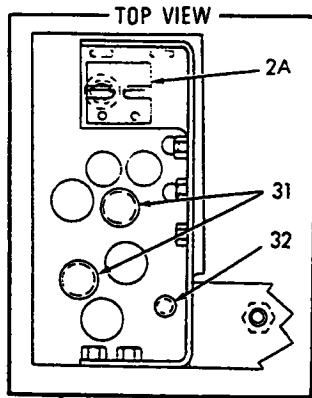
MAIN FRAME AND RADIATOR GUARD

T-79553

ITEM	PART NO.	QTY.	DESCRIPTION
1	70688114	1	FRAME
2	70686666	2	BAR
3	70694321	4	BLOCK
4	70686663	1	ANGLE, left
	70686664	1	ANGLE, right
5	70689854	1	BLOCK
6	70681189	2	BAR
7	70681094	2	BLOCK
8	70689172	1	BLOCK
9	70695381	1	SUPPORT
10	70689171	1	PLATE
11	70687813	2	BAR
11A	73119012	1	BLOCK
11B	73119013	1	BLOCK
			} Also order sketch print S-6510
			} Tractors unit #21876 and up
<u>NOTE: All items listed above require welding to install.</u>			
12	73117321	1	GUARD, radiator (Includes bushing indented below) (If first replacement prior to unit #21207 excluding #21204 also order 4 Capscrews 70926124 and 4 Nuts 70911029)
	70084581	4	BUSHING
13	70687087	1	PLATE (Tractors prior to unit #21483)
	73111209	1	PLATE (Tractor unit #21483 and up)
	70928166	4	CAPSCREW, 5/8"NC x 1-1/4"
	70921411	2	CAPSCREW, 5/8"NC x 1-1/2"
	70677010	6	WASHER
13A	70669367	1	GUARD (Requires welding to install)

TRACK RELEASE (Continued)

ITEM	PART NO.	QTY.	DESCRIPTION
15	70694569	1	GUARD, rear section, left side
	70694570	1	GUARD, rear section, right side
	70925415	4	CAPSCREW, 3/4" NC x 1-3/4"
	70928063	4	WASHER
16	70694109	2	COVER
	70920582	4	CAPSCREW, 1/2" NC x 1-1/4"
	70677008	4	WASHER

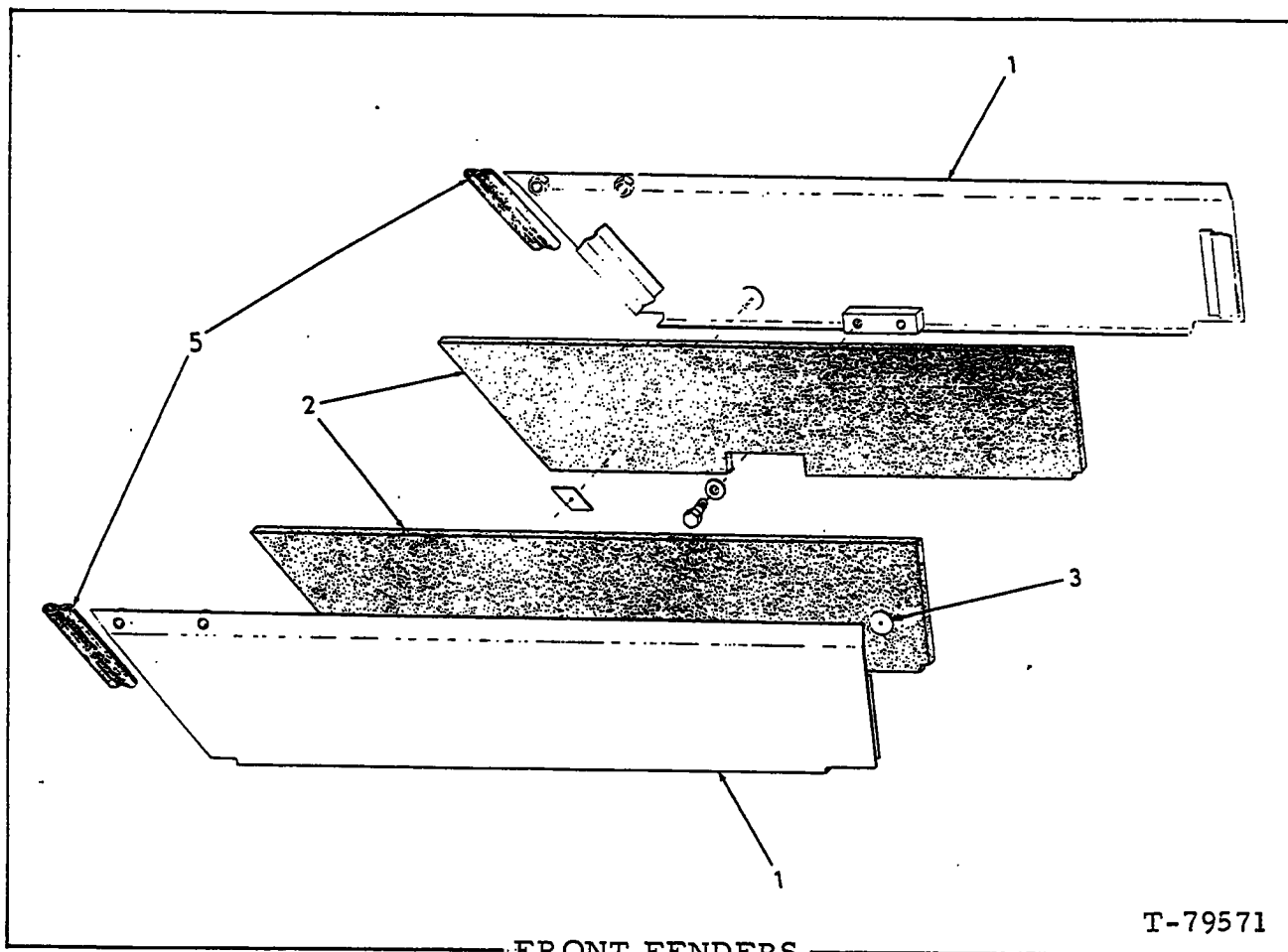


SEAT MOUNTING

T-79557

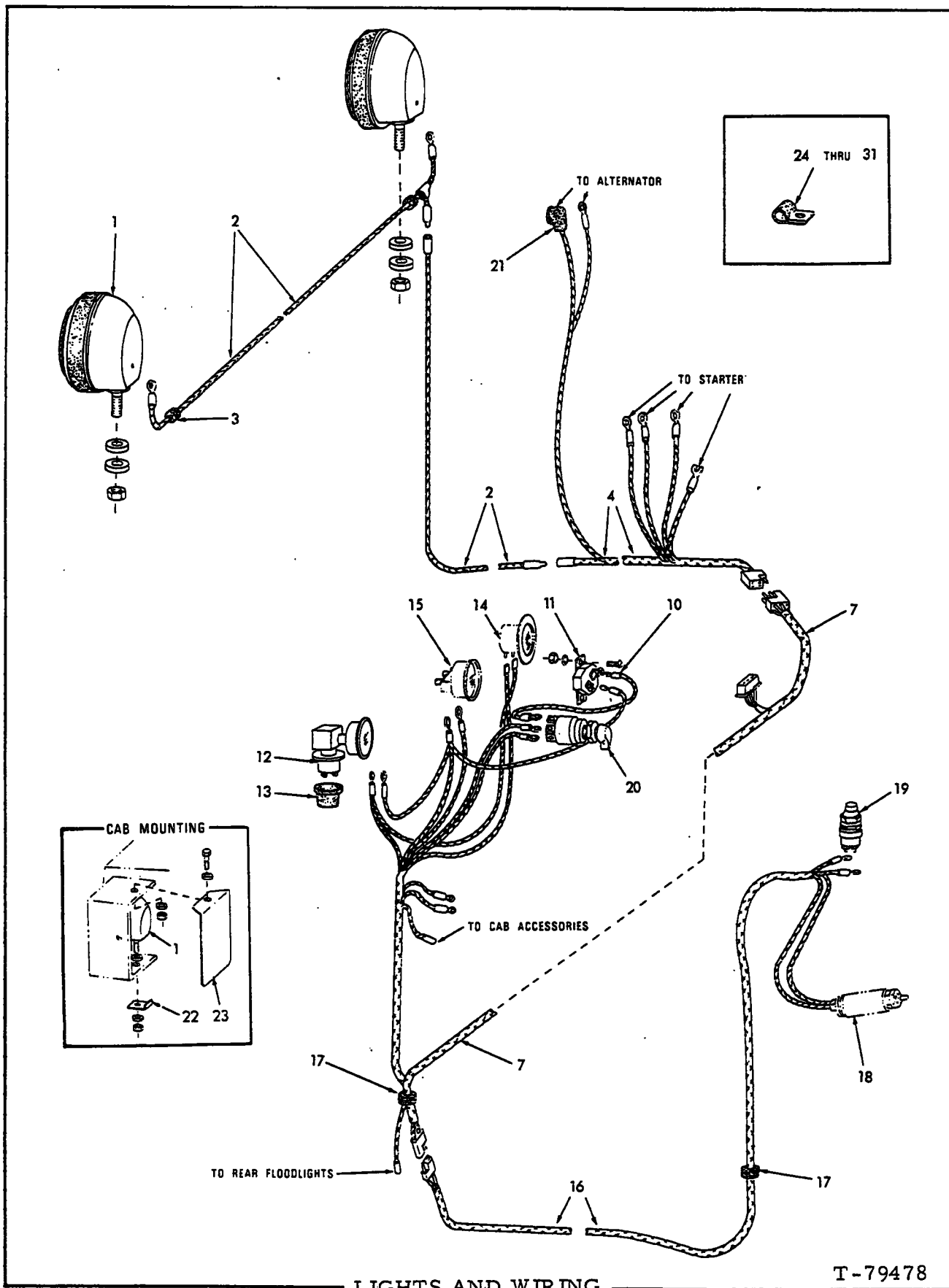
189C

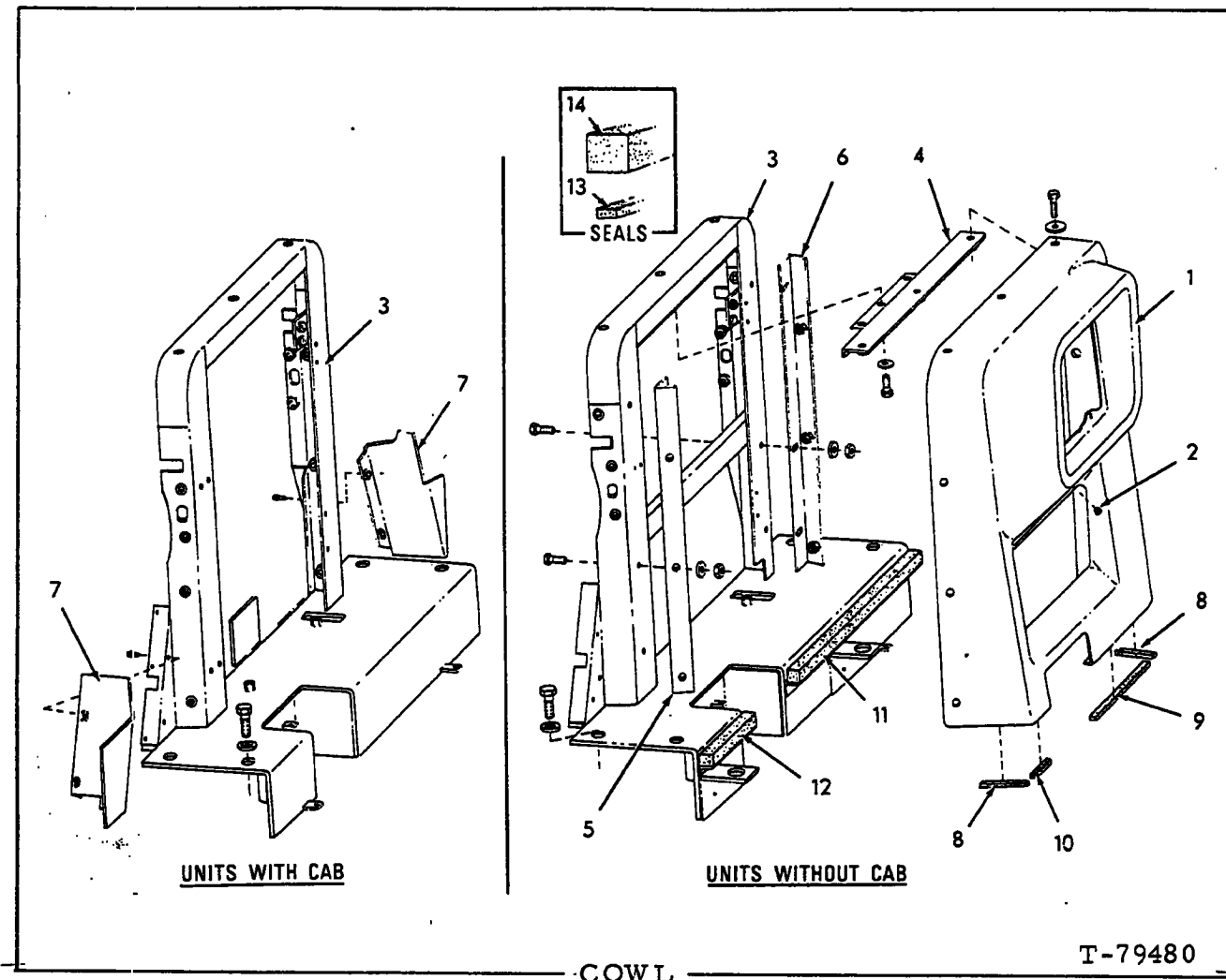
(Revised April 1980)



ITEM	PART NO.	QTY.	DESCRIPTION
1	70687439	1	FENDER ASSY., left
	70687440	1	FENDER ASSY., right
	70927491	4	CAPSCREW, nylok, 1/2" NC x 1-1/4"
	70677008	4	WASHER
2	70692343	1	INSULATION, left
	70692344	1	INSULATION, right
3	70690636	10	FASTENER (adhesive backing. Includes retainer) (See item 4)
4	70694907	-	HANGER PACKAGE (Includes 100 fasteners)
5	73110197	1	SEAL (56" long. Cut to required length)(Units equipped for Sand Operations)

(Revised May 1982)





* Units without CAB } Tractors prior to serial No. 71A21579 excluding 21491.
 ** Units with CAB } Tractors serial No. 71A21579 and up including 21491.
 Δ Units without CAB
 ΔΔ Units with CAB

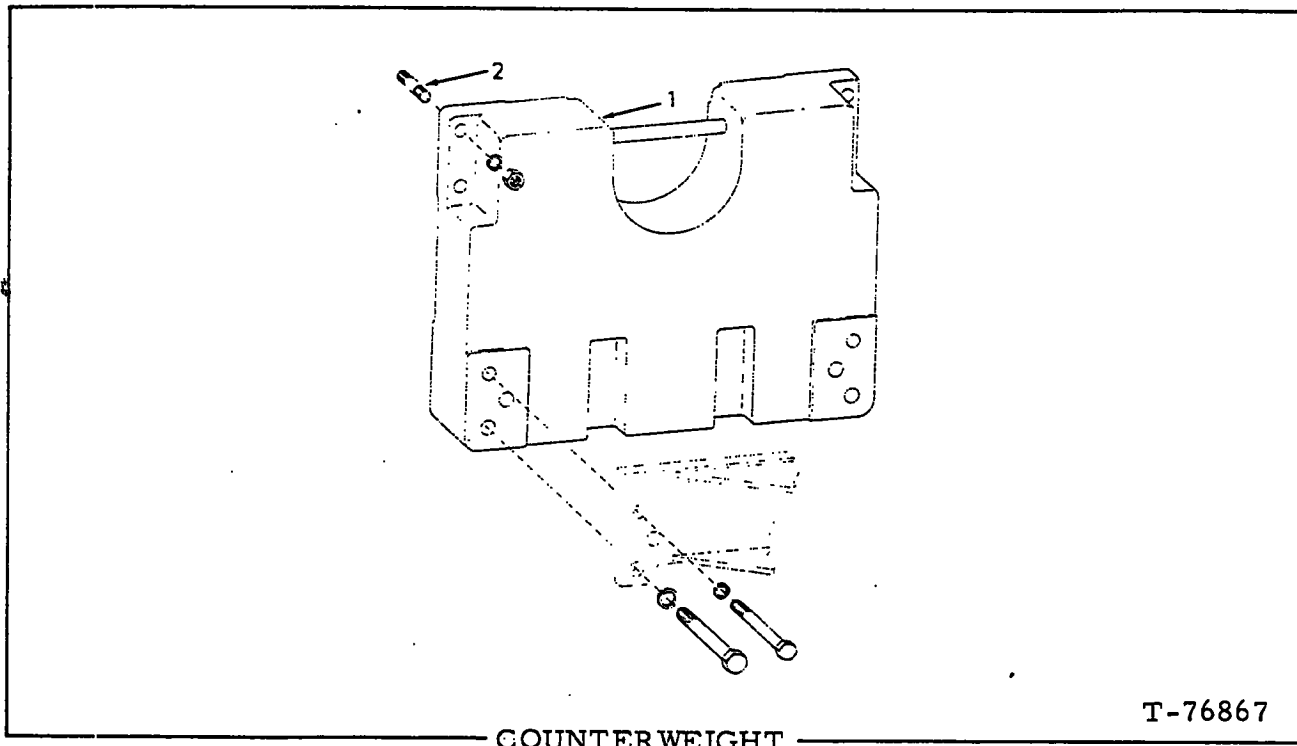
ITEM	PART NO.	QUANTITY				DESCRIPTION
		*	**	Δ	ΔΔ	
1	70689597	1	-	-	-	COWL
	73112983	-	-	1	-	COWL
	70920574	9	-	-	-	CAPSCREW, 1/2" NC x 1-3/8"
	70920582	-	-	9	-	CAPSCREW, 1/2" NC x 1-1/4"
	70092163	9	-	9	-	WASHER
	70927294	-	-	12	-	WASHER, shimming (Use as required)
2	70917676	6	-	6	-	PLUG (Not used on units equipped with VANDALISM PREVENTION PARTS)
3	70689644	1	-	-	-	SUPPORT
	70698506	-	1	-	1	SUPPORT
	73112770	-	-	1	-	SUPPORT
	70922743	4	3	4	3	CAPSCREW, 3/4" NC x 2"
	70677012	4	3	4	3	WASHER

(Continued)

(Revised May 1982)

BATTERIES AND CABLES (Continued)

ITEM	PART NO.	QTY.	DESCRIPTION	
21	70633653	4	CLIP	
	70922300	1	CAPSCREW, 3/8"NC x 3/4"	
	70922763	1	CAPSCREW, 3/8"NC x 1"	
	70929156	2	WASHER	
	70911026	1	NUT, 3/8"NC	
22	70694861	1	CLIP	} Not used on units equipped with CAB
	70922300	1	CAPSCREW, 3/8"NC x 3/4"	
	70929156	1	WASHER	
23	73107042	1	TRAY	} Components of Cab Control Tower Assy
24	73107045	6	ROLLER	
	70930594	12	CAPSCREW, self-locking, 1/4"NC x 3/4"	
25	70065935	2	BOLT, eye	} Units equipped with CAB
	70677008	2	WASHER	
	70928178	4	WASHER	
	70915018	2	NUT, wing	
	70900805	2	PIN, cotter	
26	70931458	-	COIL, plastic (Use as required)	
27	70196765	1	STRAP	
28	70698730	1	COVER	



COUNTERWEIGHT

T-76867

USAGE: Special equipment

ITEM	PART NO.	QTY.	DESCRIPTION
1	70678188	1	COUNTERWEIGHT
	70927286	1	CAPSCREW, 1-1/4"NF x 14-1/2"
	70928453	1	WASHER
	70927287	4	CAPSCREW, 1/2"NC x 14-1/2"
	70931652	4	WASHER
2	70671727	4	STUD (6-3/4" long)
	70928453	4	WASHER
	70913097	4	NUT, 1-1/4"NF

PUSH BEAMS AND BRACES (Continued)

ITEM	PART NO.	QTY.	DESCRIPTION
13	70671078	2	BRACE, moldboard tilt (First type with six hole collar)(Includes items 18 thru 20 (One less used with hydraulic tilt)
	73123346	2	BRACE, moldboard tilt (Second type with four hole collar)(Include items 18 thru 20 (One less used with hydraulic tilt)
	70914465	2	FITTING, lubricating, 1/8"NPT
14	70619952	2	SCREW
15	70925806	24	CAPSCREW (7/8"NC x 3")(Use with six hole collar)
	70927314	16	CAPSCREW (1"NC x 3-1/2")((Use with four hole collar)
16	70609389	56	SHIM (Six hole)
	73122377	56	SHIM (Four hole)
			} Use as required
17	70609122	4	PIN
	70918245	4	PIN, spring, 1/2" x 2-1/2"
18	70651704	4	*COLLAR (Six hole)
	73122379	4	*COLLAR (Four hole)
19	70671076	2	*BALL (Use with item 11)
	70672959	2	*BALL (Use with item 13)
20	70615229	2	*NUT
21	70609120	2	BOLT
	70606702	2	NUT
	70901349	2	PIN, cotter, 3/8" x 3"
22	73116394	6	STEP TREAD

*Requires welding to install

DOZER CYLINDER PIPING (Continued)

ITEM	PART NO.	QTY.	DESCRIPTION
10	70689865	1	TUBE, cross, raise line
11	70689864	1	TUBE, cross, drop line
12	70689813	6	CLAMP
	70924843	2	CAPSCREW, 3/8"NC x 3-1/2"
	70927536	1	CAPSCREW, 3/8"NC x 3-3/4"
	70677006	5	WASHER
	70911026	2	NUT, 3/8"NC
13	70196645	8	CLAMP
	70924843	8	CAPSCREW, 3/8"NC x 3-1/2"
	70677006	8	WASHER
14	70689863	10	BUSHING
15	70689766	1	HOSE, upper
16	70689807	1	HOSE, lower
17	70689866	1	TUBE
18	70689852	1	TUBE
19	70689840	1	TUBE, lower
	70921467	1	CAP, flare fitting, 1/4" tube
20	70689841	1	TUBE, upper
	70921467	1	CAP, flare fitting, 1/4" tube
21	70689916	1	ANGLE
	70921076	2	CAPSCREW, 3/8"NC x 1-1/4"
	70677006	2	WASHER
22	70925919	10	O-RING
23	70921117	20	FLANGE, tube connecting, front end (half only)
	70921569	40	CAPSCREW, 7/16"NC x 1-1/4"
	70929154	40	WASHER
24	70931714	2	O-RING
25	70921118	4	FLANGE, tube connecting, rear end (half only)
	70920583	8	CAPSCREW, 1/2"NC x 1-1/2"
	70928460	8	WASHER
26	70646245	1	STRIP
	70922763	1	CAPSCREW, 3/8"NC x 1"
	70677006	1	WASHER

} One less used on units prior to #21084

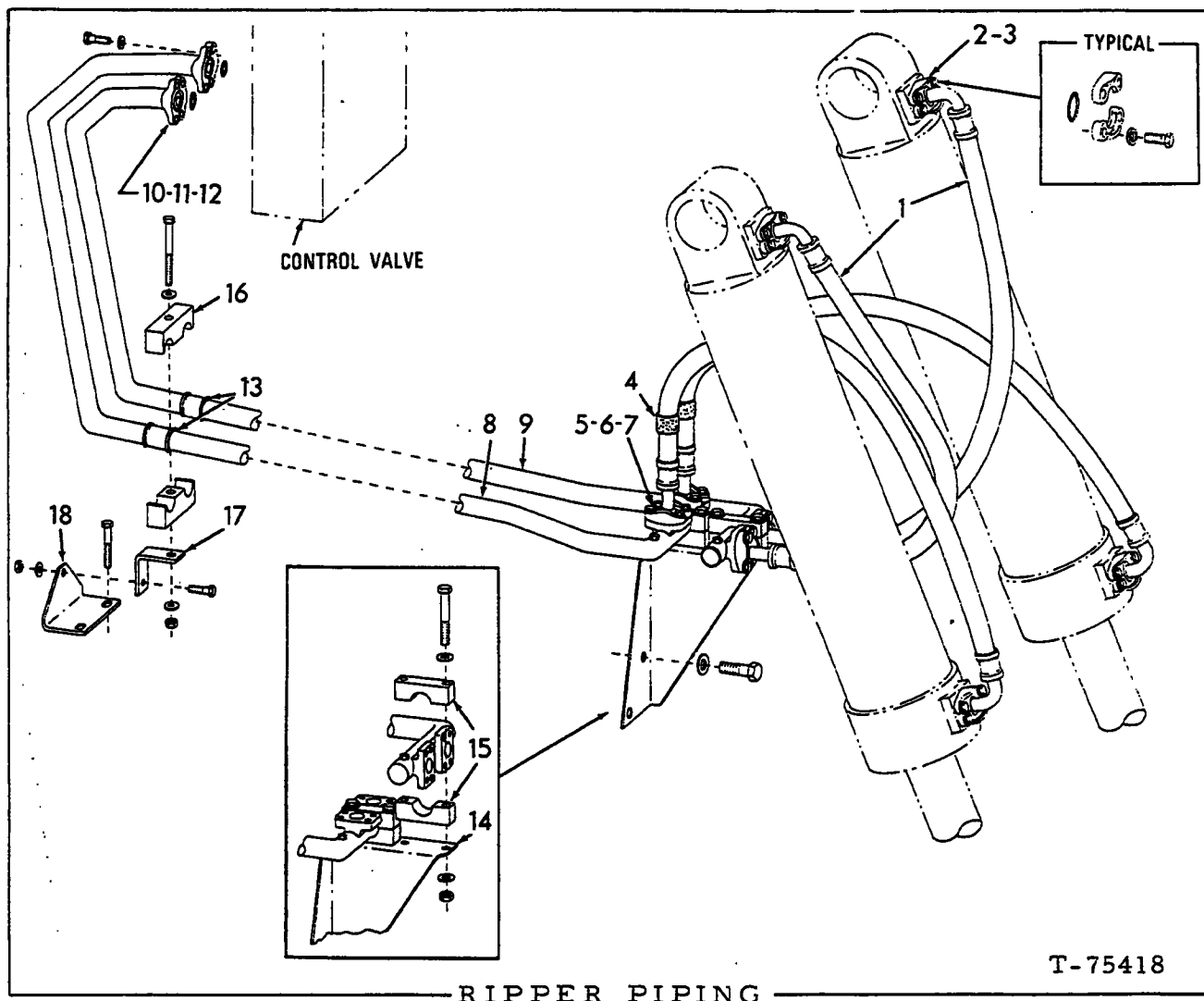
} Tractors unit #21084 and up

DOZER OIL PUMP (Continued)

ITEM	PART NO.	QTY.	DESCRIPTION
13	-----	1	*GEAR, idler
14	-----	4	□*PLATE, pressure
15	-----	1	*BODY
16	-----	2	BUSHING
17	-----	8	△□O-RING
18	70927691	2	□*RING, snap
19	70667594	2	□*COUPLING
20	-----	3	△□*O-RING
21	-----	1	□PLATE
22	-----	2	BUSHING
23	-----	1	□GEAR, idler
24	-----	1	□GEAR, drive
25	-----	1	□BODY
26	-----	2	BUSHING
27	73116699	8	STUD
	-----	8	□ WASHER
	-----	8	□ NUT
28	-----	1	□PLATE
29	-----	1	PUMP ASSY., power assist (See page 248C)
	73121034	2	STUD
	-----	2	□*NUT
30	73113430	1	PUMP KIT, front section (Includes items 1, 2, 3, 5 thru 15, 18, 19 and 20)
31	73113431	1	PUMP KIT, rear section (Includes items 5, 7 thru 11, 14, 17 thru 25 and 28)
32	73113432	1	SEAL KIT (Includes items 2, 6, 8, 9, 17 and 20)

*Components of item 30
□Components of item 31
△Components of item 32

(Revised June 1981)



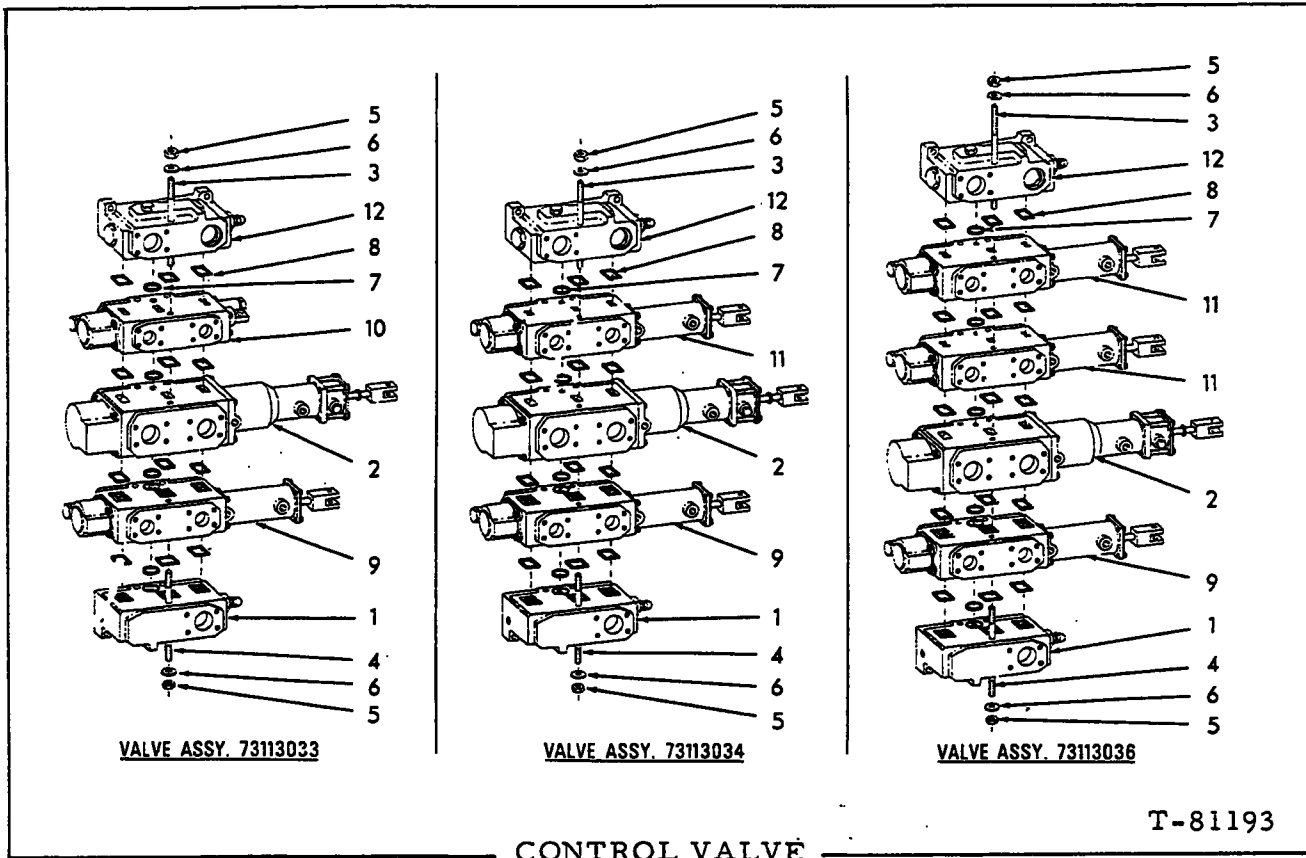
RIPPER PIPING

T-75418

USAGE: Special equipment. 21R ripper only. Prior to approximately June 1978. See page 251B for latest type.

ITEM	PART NO.	QTY.	DESCRIPTION
1	70665638	4	HOSE (See HOSE PARTS)
2	70921116	8	FLANGE (half only)
	70921076	16	CAPSCREW, 3/8"NC x 1-1/4"
	70910287	16	LOCKWASHER, 3/8"
3	70931753	4	O-RING
4	70095869	2	CLIP
	70927219	1	CAPSCREW, 1/2"NC x 3/4"
	70912441	1	LOCKWASHER, 1/2"
	70911028	1	NUT, 1/2"NC
5	70921115	8	FLANGE (half only)
	70921076	16	CAPSCREW, 3/8"NC x 1-1/4"
	70930370	16	WASHER

(Continued)



USAGE: Tractors S/N 71A21617 and up. See page 258.

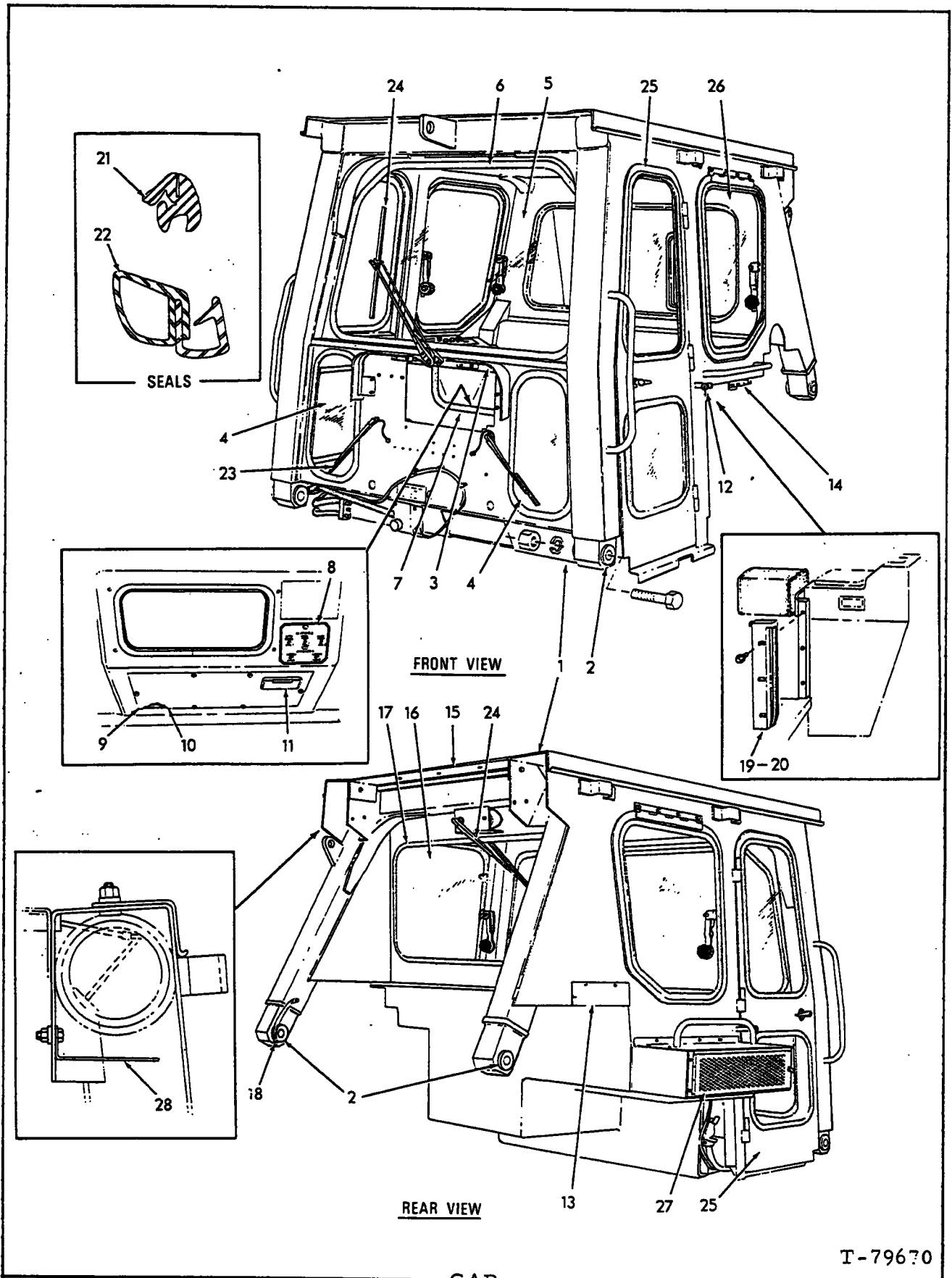
- *Units not equipped with Power Assisted Ripper
- **Units equipped with Power Assisted Ripper
- ***Units equipped with Power Assisted "Kelley" Ripper

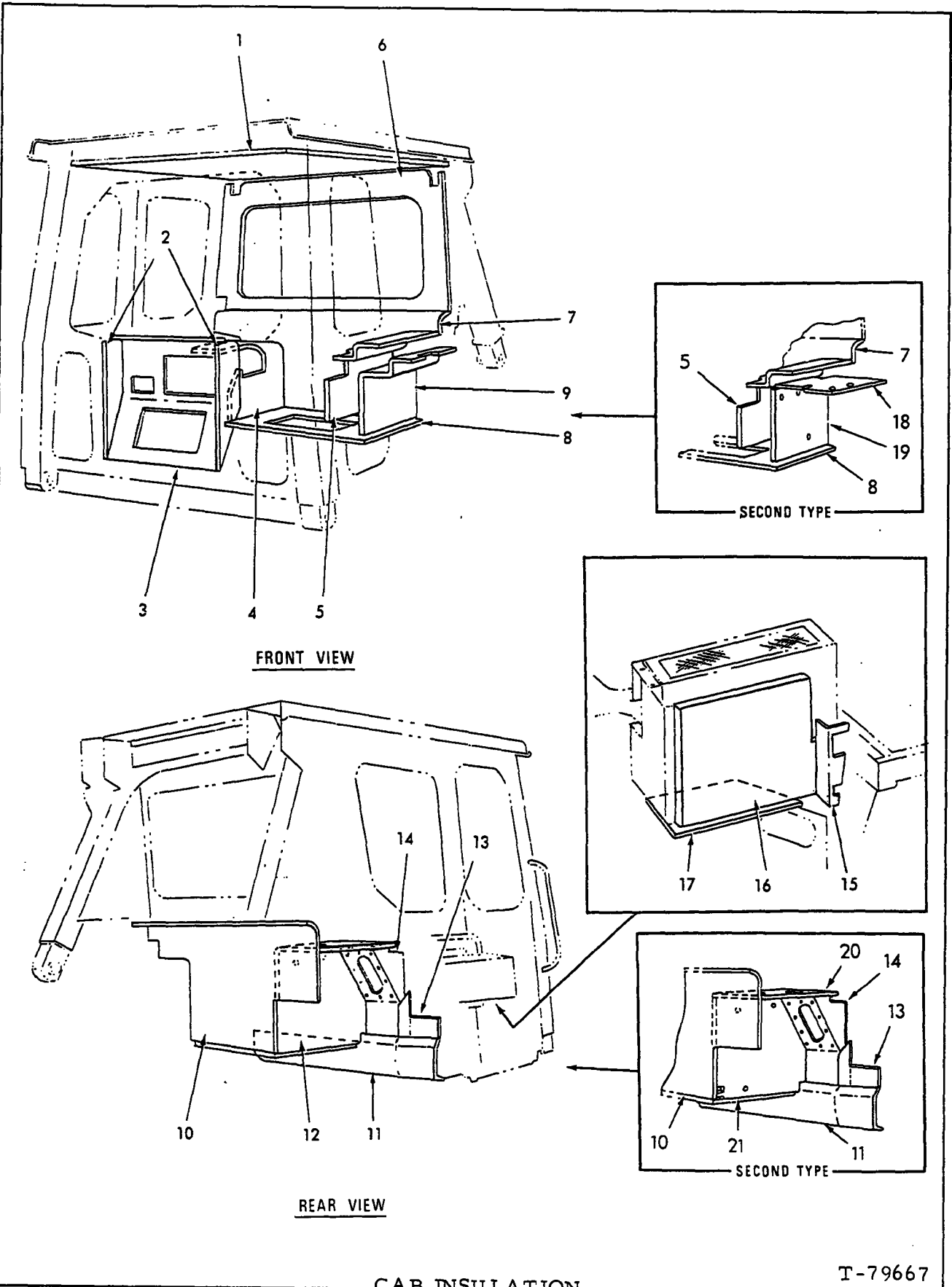
ITEM	PART NO.	QUANTITY			DESCRIPTION	
		*	**	***		
-	73113033	1	-	-	VALVE ASSY. (3 spool)	} Each includes items 1 thru 12
-	73113034	-	1	-	VALVE ASSY. (3 spool)	
-	73113036	-	-	1	VALVE ASSY. (4 spool)	
1	73115957	1	1	1	VALVE ASSY., relief (See page 265A)	
2	73113037	1	1	1	VALVE ASSY., dozer (See page 261A)	
3	70664747	2	2	-	STUD (7-7/8" long)	
	73110600	1	1	-	STUD (8-3/4" long)	
	70698423	-	-	3	STUD (11" long)	
4	70664748	3	3	3	STUD (7-1/2" long)	
5	70668231	6	6	6	NUT, 5/8"NC	
6	70659494	6	6	6	WASHER	
7	70925937	4	4	5	RING	
8	70925938	12	12	15	RING	
9	73113038	1	1	1	VALVE ASSY., tilt (See page 263A)	
10	73113041	1	-	-	VALVE ASSY., (See page 262)	
11	73113039	-	1	2	VALVE ASSY., ripper control (See page 263A)	
12	73113040	1	1	1	VALVE ASSY., relief (See page 265A)	

CONTROL VALVES (Continued)

ITEM	PART NO.	QTY.	DESCRIPTION	
		* **		
7	70658363	2 2	CAP	
8	70925929	2 2	O-RING	
9	70658360	1 1	WASHER (1/64" thick)	} Use as required
	70911992	1 1	WASHER (1/16" thick)	
10	70660792	1 1	WASHER (.005" thick)	
11	70659555	2 2	SPRING	
12	70658364	2 2	SEAT	
13	-----	2 2	CARTRIDGE (Not serviced separately)	
14	70925931	2 2	O-RING, outer (1-1/8" O.D.)	
15	70660793	2 2	RING	
16	70925928	2 2	O-RING, inner (3/4" O.D.)	
17	70665250	2 2	RING	
18	70925930	2 2	O-RING, outer 1" O.D.)	
19	73109599	2 2	POPPET	
20	73109602	2 2	SPRING	
21	70665174	2 2	CAP	
22	73115264	1 -	BOLT	
	73113709	- 1	BOLT	
23	73115265	2 -	RING	
	73118779	- 2	RING	
24	70933491	2 -	O-RING	
	70925932	- 2	O-RING	
25	70665814	2 -	SPRING	
	70659504	- 2	SPRING	
26	70664459	2 -	VALVE	
	70658278	- 2	VALVE	
27	-----	1 1	PLUNGER (Not serviced separately)	
28	73115272	1 -	VALVE ASSY., power assist	} Each includes items 29 thru 43
	73113035	- 1	VALVE ASSY., power assist	
	70926269	4 4	CAPSCREW, 5/16"NC x 1-1/4"	
	70910286	4 4	LOCKWASHER, 5/16"	
29	-----	1 1	*O-RING	
30	73118764	1 -	SLEEVE, pilot	
	73118829	- 1	SLEEVE, pilot	
31	73118738	1 -	LUG	
	73118827	- 1	LUG	
32	73118768	1 -	PISTON ASSY.	} See NOTE
	73118819	- 1	PISTON ASSY.	
			NOTE: Item 32, each includes spool, piston lug and piston which are not serviced separately, also items 33 thru 35.	
33	73118767	1 -	PIN, retaining	
	73118828	- 1	PIN, retaining	
34	-----	1 1	*O-RING	
35	-----	4 4	*RING, snap	
36	73118772	1 -	SPRING ASSY.	} Serviced only as a unit
	73118826	- 1	SPRING ASSY.	
37	-----	1 1	HOUSING (Not serviced separately)	
38	-----	1 1	*O-RING	
39	73118765	1 1	CAP, back	
40	70923565	1 1	*O-RING	

(Continued)





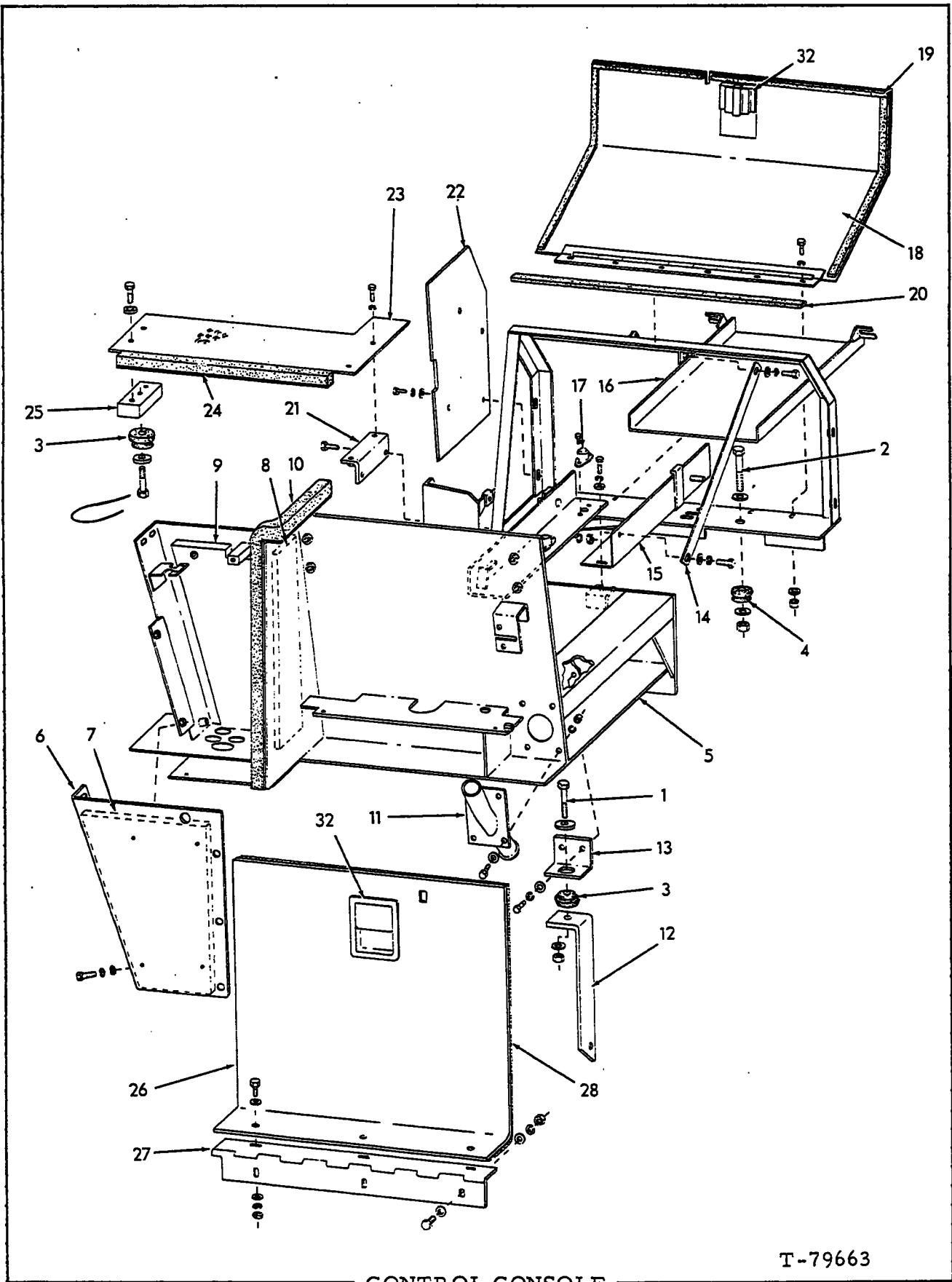
FRONT VIEW

REAR VIEW

CAB INSULATION

T-79667

(Revised June 1981)



CONTROL CONSOLE

T-79663

(Revised June 1980)

NUMERICAL INDEX 0073126645

PART NO	PAGE	PART NO	PAGE	PART NO	PAGE	PART NO	PAGE	PART NO	PAGE
70632766.....	55	70643740.....	139	70652011.....	157A	70656746.....	103	70657982.....	89
70633123.....	55	70643740.....	167	70652241.....	85	70656756.....	103	70657982.....	9
70633497.....	135	70644266.....	96	70652350.....	55	70656766.....	103	70657983.....	9
70633519.....	47	70644337.....	104	70652389.....	119	70656774.....	89	70657983.....	9
70633653.....	214	70645074.....	153	70652389.....	9	70656790.....	104	70657983.....	94
70633674.....	186	70645074.....	6	70652689.....	161	70656795.....	174	70657985.....	93
70633675.....	186	70645236.....	171B	70652995.....	127	70656796.....	174	70657986.....	89
70633955.....	249B	70645236.....	6	70652996.....	127	70656849.....	131	70657987.....	94
70635132.....	128	70645319.....	141	70653000.....	127	70656849.....	6	70657988.....	93
70635132.....	45	70646245.....	243	70653030.....	127	70656919.....	267	70657989.....	89
								70657990.....	94
70635286.....	267B	70646353.....	44	70653031.....	127	70656980.....	114	70657991.....	89
70635447.....	244	70646353.....	6	70653113.....	178	70656981.....	111	70657992.....	94
70637051.....	245	70646532.....	121	70653279.....	161	70657207.....	244	70657993.....	93
70637056.....	245	70646532.....	160	70653319.....	127	70657299.....	106	70657994.....	93
70637541.....	161	70646915.....	157	70653319.....	161	70657302.....	104	70657998.....	93
70637993.....	167	70646915.....	6	70653319.....	56	70657303.....	108	70657999.....	93
70637997.....	167	70646931.....	65	70653570.....	127	70657303.....	109	70658001.....	94
70638002.....	167	70647080.....	174	70653570.....	267	70657305.....	106	70658002.....	94
70638039.....	135	70647108.....	257	70653570.....	267B	70657305.....	108	70658004.....	95
70638282.....	204	70647122.....	257	70653570.....	54	70657305.....	109	70658005.....	95
70638397.....	213	70647151.....	257	70653648.....	216	70657312.....	105	70658008.....	9
70638767.....	91	70647621.....	250	70653740.....	104	70657313.....	104	70658008.....	94
70638818.....	167	70647622.....	250	70653798.....	103	70657314.....	105	70658009.....	9
70638826.....	247	70647638.....	251A	70653798.....	9	70657315.....	104	70658009.....	9
70638887.....	137	70647640.....	251	70653819.....	105	70657316.....	104	70658009.....	95
70639312.....	207	70647655.....	251	70653819.....	119	70657317.....	104	70658010.....	9
70639388.....	201B	70647656.....	251	70653933.....	158	70657318.....	104	70658010.....	95
70639388.....	68	70647665.....	251	70653936.....	158	70657318.....	104	70658011.....	95
70639501.....	108	70647666.....	251	70654002.....	101	70657319.....	106	70658011.....	95
70639501.....	109	70647808.....	250	70654061.....	101	70657319.....	107	70658017.....	95
								70658019.....	95
70639534.....	89	70647808.....	251	70654098.....	81	70657321.....	109	70658023.....	91
70639547.....	111	70647996.....	106	70654104.....	102				
70639547.....	112	70647996.....	107	70654104.....	9	70657322.....	106	70658025.....	96
70639547.....	115	70647996.....	108	70654105.....	102	70657323.....	107	70658026.....	9
70639759.....	108	70647996.....	109	70654277.....	101	70657324.....	104	70658026.....	9
70639759.....	109	70648173.....	251	70654304.....	131	70657324.....	104	70658026.....	93
70639939.....	133	70648173.....	255	70654304.....	131	70657328.....	106	70658026.....	93
70639939.....	137	70648174.....	251	70654565.....	82A	70657329.....	106	70658114.....	9
70639939.....	91	70648175.....	251	70654655.....	201A	70657329.....	106	70658114.....	93
70639939.....	95	70648238.....	173B	70654655.....	57	70657329.....	106	70658115.....	93
								70658115.....	93
70640636.....	9	70648262.....	216	70654811.....	213	70657322.....	106	70658116.....	93
70640636.....	97	70648331.....	186	70654840.....	47	70657323.....	107	70658116.....	93
70640637.....	127	70648619.....	104	70655212.....	267	70657324.....	104	70658241.....	248
70640675.....	135	70648619.....	9	70655212.....	267B	70657324.....	104	70658245.....	265
70640676.....	201	70649611.....	242	70655215.....	267	70657328.....	106	70658246.....	265
70640677.....	140	70650134.....	189	70655215.....	267B	70657328.....	106	70658246.....	265B
70640704.....	201B	70650134.....	189	70655420.....	267	70657328.....	106	70658278.....	263B
70640707.....	201B	70650134.....	189D	70655420.....	267B	70657329.....	106	70658279.....	263
70640780.....	160	70650275.....	167	70655452.....	10	70657329.....	106	70658280.....	263
70641027.....	257	70650276.....	167	70655519.....	89	70657329.....	106	70658280.....	263
		70650428.....	160	70655619.....	9	70657329.....	106	70658281.....	263
								70658282.....	262
70641029.....	159	70650509.....	47	70655746.....	127	70657329.....	106	70658282.....	263A
70641031.....	121	70650560.....	244	70655838.....	183	70657329.....	106	70658284.....	262
70641031.....	160	70650675.....	158	70655999.....	156	70657329.....	106	70658284.....	262
70641504.....	125A	70650679.....	158	70656227.....	47	70657329.....	106	70658284.....	263A
70641563.....	170	70650691.....	152	70656572.....	159	70657329.....	106	70658284.....	263A
70641968.....	249B	70650712.....	127	70656573.....	159	70657329.....	106	70658284.....	263A
70641968.....	267	70650811.....	142	70656574.....	159	70657329.....	106	70658284.....	263A
70642130.....	249B	70650812.....	152	70656593.....	104	70657329.....	106	70658284.....	263A
70642147.....	111	70650847.....	175	70656594.....	104	70657329.....	106	70658284.....	263A
70642147.....	112	70650944.....	215	70656596.....	109	70657329.....	106	70658284.....	263A
70642147.....	114	70651109.....	248	70655746.....	127	70657733.....	251	70658286.....	262
70642413.....	13	70651113.....	159	70655838.....	183	70657733.....	251A	70658286.....	263A
70642448.....	153	70651529.....	159	70655999.....	156	70657735.....	251	70658278.....	263B
70642533.....	125A	70651531.....	159	70656227.....	47	70657735.....	251	70658278.....	263B
70642633.....	173	70651532.....	159	70656572.....	159	70657736.....	251	70658279.....	263
70643124.....	173B	70651533.....	159	70656573.....	159	70657736.....	251	70658279.....	263
70643228.....	251C	70651704.....	233	70656574.....	159	70657737.....	251A	70658280.....	263
70643228.....	253	70651704.....	237	70656593.....	104	70657737.....	251A	70658280.....	263
70643228.....	253B	70652011.....	154	70656594.....	104	70657737.....	251A	70658281.....	263
70643229.....	173B	70652011.....	156	70656596.....	109	70657737.....	251A	70658281.....	263
								70658281.....	263
								70658282.....	262
								70658282.....	263A
								70658284.....	262
								70658284.....	263A
								70658286.....	262
								70658286.....	263A
								70658360.....	263
								70658360.....	263B
								70658361.....	263
								70658363.....	263
								70658363.....	263B
								70658364.....	263
								70658364.....	263B
								70658365.....	263
								70658466.....	262
								70658509.....	65
								70658514.....	87
								70658630.....	198
								70658633.....	65
								70658633.....	69
								70658637.....	209
								70658637.....	6
								70658640.....	125
								70658931.....	9

CLICK HERE TO **DOWNLOAD** THE COMPLETE MANUAL

- Thank you very much for reading the preview of the manual.
- You can download the complete manual from: www.heydownloads.com by clicking the link below



- Please note: If there is no response to CLICKING the link, please download this PDF first and then click on it.

CLICK HERE TO **DOWNLOAD** THE COMPLETE MANUAL