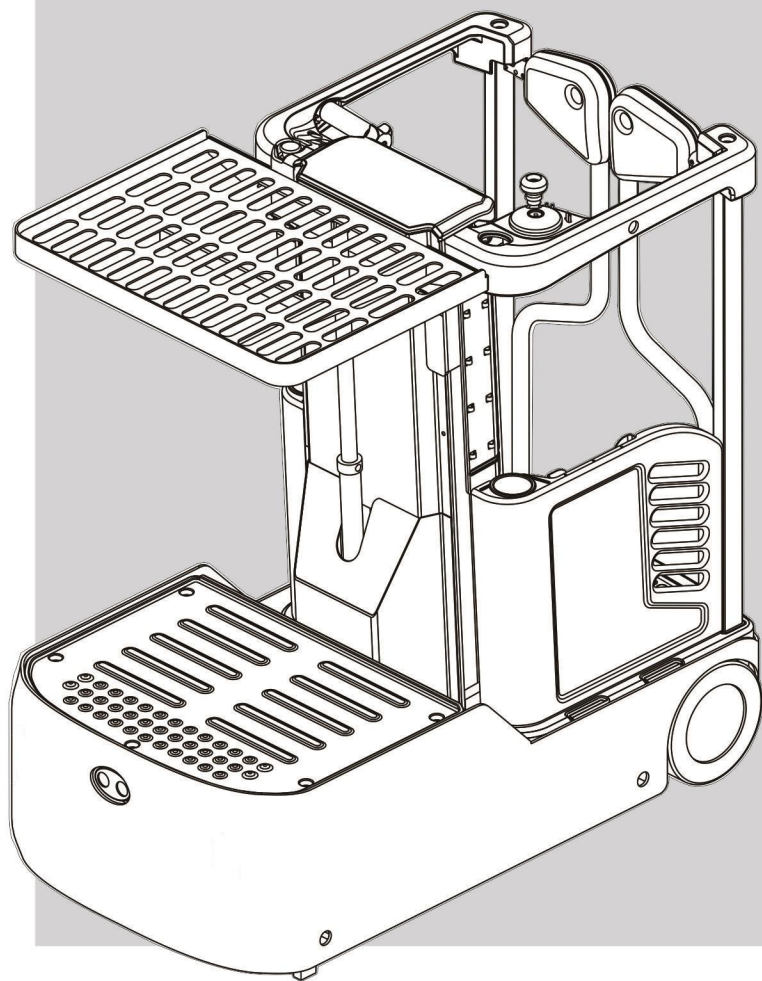


# 印中力



# JX0 Order Picker Parts Manual

电动拣选车  
零件目录

CE  
CE CERTIFICATE

CLICK HERE TO **DOWNLOAD** THE COMPLETE MANUAL

- Thank you very much for reading the preview of the manual.
- You can download the complete manual from: [www.heydownloads.com](http://www.heydownloads.com) by clicking the link below



- Please note: If there is no response to CLICKING the link, please download this PDF first and then click on it.

CLICK HERE TO **DOWNLOAD** THE COMPLETE MANUAL

**1000**  
**Frame System**  
车身系统

## 0202 Driving Motor

## 驱动电机总成

Index	Part No.	Part Name	No.	Applied Date	Remark
1	1115-520012-10	Brake Assembly 制动器总成	1		
2	1600-520013-0A	Brake release harness 制动器释放线束	1		
3	1115-240001-00	Brake 刹车片	1		
4	0000-000122-00	Lockwasher ø4 弹垫	3		
5	0000-000089-00	Flatwasher ø4 平垫	3		
6	2108-200002-0C	Gear Box Casing 箱体	1		
7	0000-000665-00	Screw M4×45 螺钉	3		Hexagon socket head cap screws-8.8
8	1115-200007-0A	Cap 闷盖	1		
9	0000-000386-00	Screw M6×20 螺钉	14		Hexagon socket head cap screws-8.8
10	0000-000056-00	Lockwasher ø6 弹垫	14		
11	0000-000013-00	Grease Fitting M8 直通式压注油杯	1		
12	0000-001022-00	Pin ø6×20 定位销	2		
13	1115-200001-0A	Gear Box Cap 箱盖	1		
14	0000-000658-00	Clip ø42 孔用弹性挡圈	1		
15	0000-000659-00	Clip ø15 挡圈	2		
16	0000-000667-00	Bearing 61905 轴承	1		
17	1600-GSX-10	Gear Kit 齿轮修理包	1		The kit includes 2 gears (Pos.17)
18	0000-000680-00	Bearing 16003 轴承	1		
19	1115-GSX-20	Gear Kit 齿轮修理包	1		The kit includes 2 gears (Pos.19)
20	0000-001020-00	Parallel Key 5×5×16 平键	1		
21	0000-000026-00	Screw M8×30 螺钉	5		Hexagon socket head cap screws-8.8
22	0000-000159-00	Lockwasher ø8 弹垫	5		
23	0000-000670-00	Oil Seal ø155×172×10 骨架油封	1		
24	302001000091	Screw M5×25 螺钉	6		Hexagon socket head cap screws-8.8
25	0000-000206-00	Lockwasher ø5 弹垫	6		
26	0000-001021-00	Parallel Key 5×5×10 平键	2		

## 0402 Hydraulic Pump Assembly

## 液压站总成

Index	Part No.	Part Name	No.	Applied Date	Remark
1	ECK-421001-00	DC Motor 2.2KW/24V 直流电机	1		
2	ECK-421002-00	Valve Plate 38 阀块部件	1		
3	ECK-421003-00	Safety Valve 直动式溢流阀	1		
4	ECK-421004-00	Throttle 可调式节流阀	1		
5	ECK-421005-00	O-Ring 100x3.55 O 形圈	2		
6	ECK-421006-00	Tank 3L 3L 油箱	1		
7	ECK-421007-00	Flatwasher $\phi 5$ 平垫圈	4		
8	ECK-421008-00	Screw M5x10 螺钉	4		
9	ECK-421022-00	Air Filter 空滤器	1		
10	ECK-421021-00	Oil plugging 放油堵头	1		
11	ECK-421011-00	Suction Pipe 角尺吸油管	1		
12	ECK-421012-00	Oil Filter 滤油器	1		
13	ECK-421013-00	Screw M8x80 螺钉	2		
14	ECK-421014-00	Flatwasher $\phi 8$ 平垫圈	2		
15	ECK-421015-00	Gear Pumps 2.0cc/r 齿轮泵	1		
16	ECK-421016-00	Nylon Tube 尼龙管	1		
17	ECK-421017-00	Connecting Shaft 连接轴	1		
18	ECK-421018-00	Solenoid Valve 24V 电磁插装阀芯	1		
19	ECK-421019-00	Check Valve 单向阀	1		
20	ECK-421020-00	Brush 碳刷	1		

## 0504 Wiring Harness 2

## 线束 2

Index	Part No.	Part Name	No.	Applied Date	Remark
1	1600-520003-1A	Load Frame Harness 载架线束	1		
2	1600-510004-00	Controller CAN-TILLER 控制器	1		

**6000**  
**Lifting System**  
起升系统

CLICK HERE TO **DOWNLOAD** THE COMPLETE MANUAL

- Thank you very much for reading the preview of the manual.
- You can download the complete manual from: [www.heydownloads.com](http://www.heydownloads.com) by clicking the link below



- Please note: If there is no response to CLICKING the link, please download this PDF first and then click on it.

CLICK HERE TO **DOWNLOAD** THE COMPLETE MANUAL