

合力

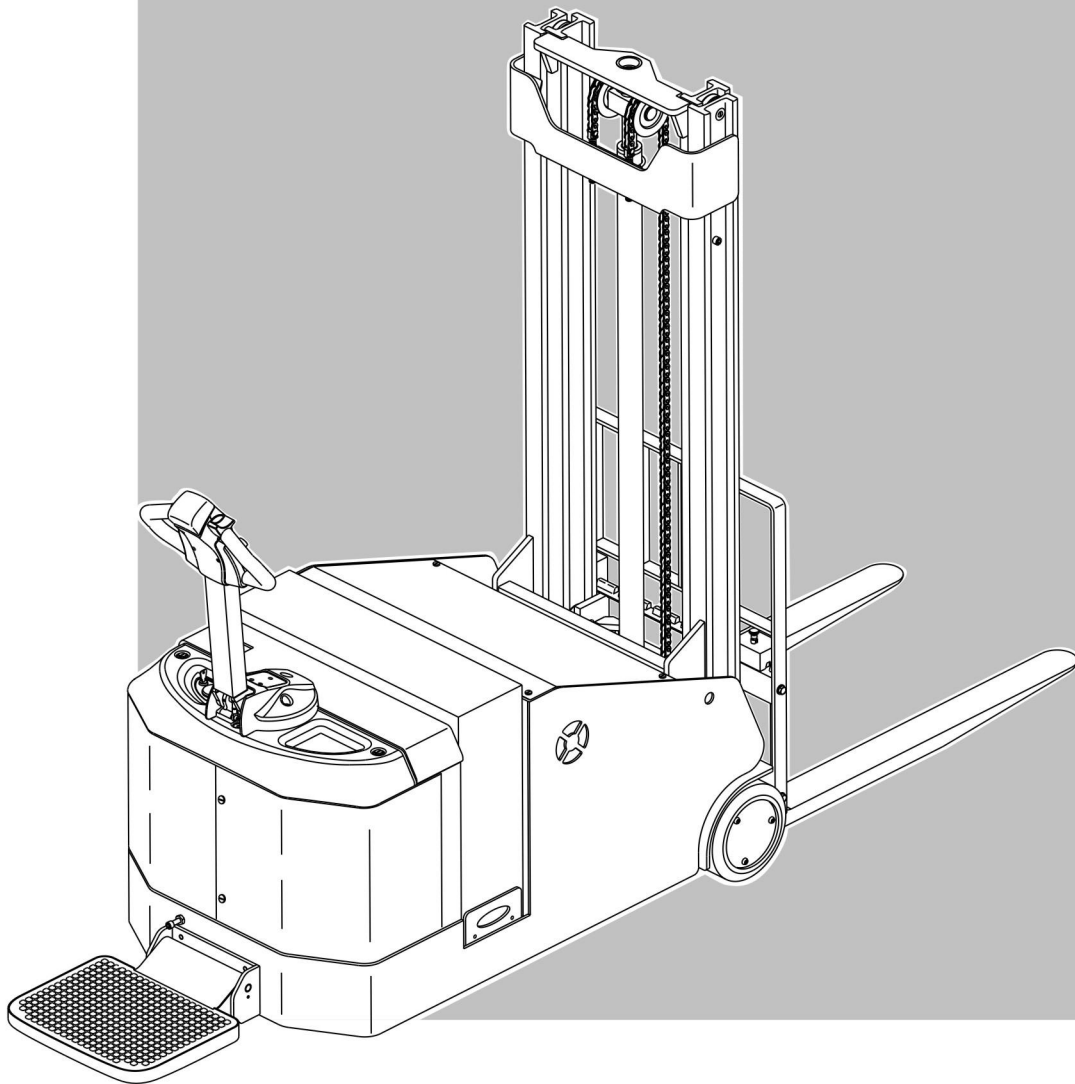
ES12-12CS

Counterbalanced Forklift Truck

平衡重叉车

Parts Manual

零件目录



CE

CE CERTIFICATE

CLICK HERE TO **DOWNLOAD** THE COMPLETE MANUAL

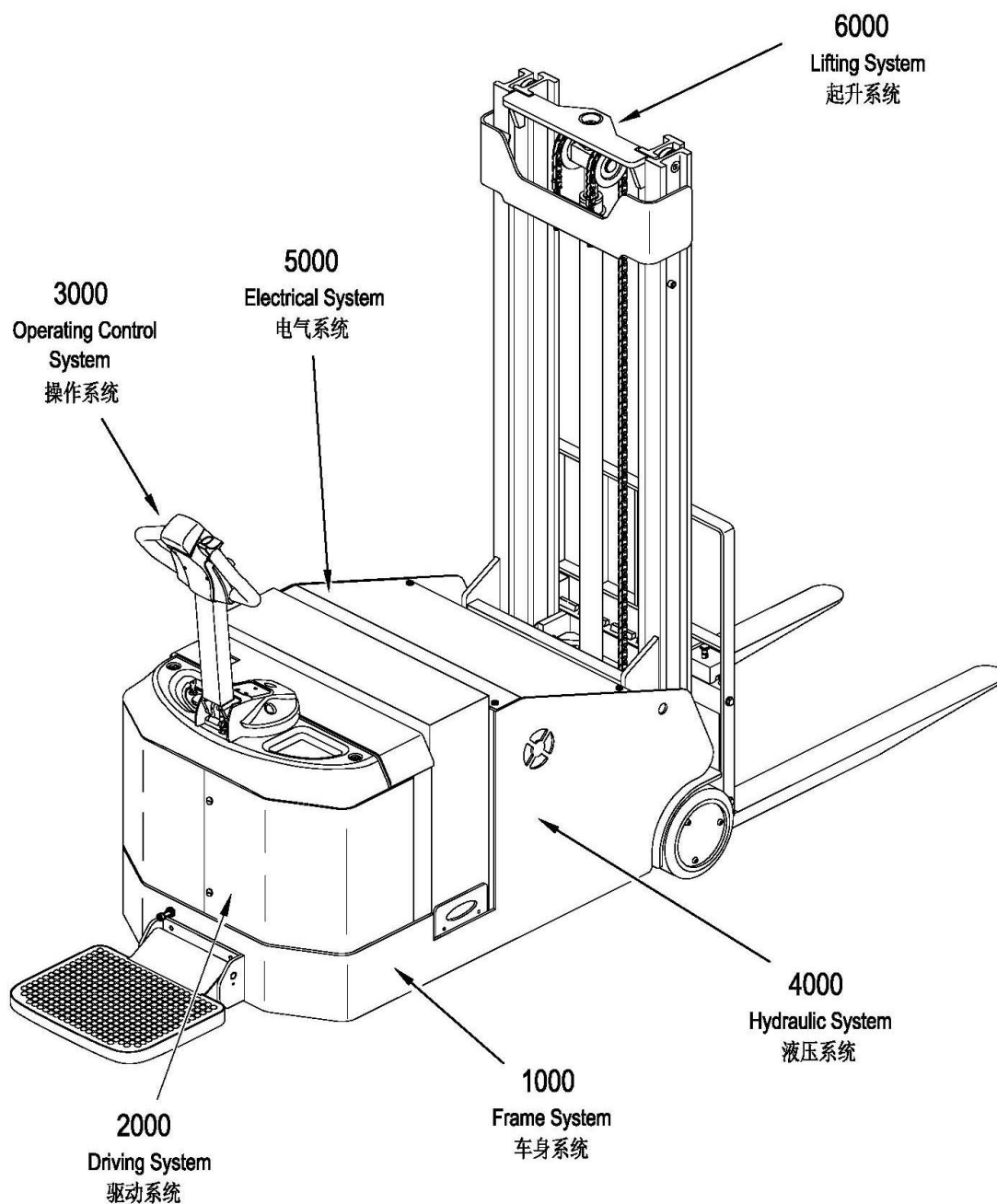
- Thank you very much for reading the preview of the manual.
- You can download the complete manual from: www.heydownloads.com by clicking the link below



- Please note: If there is no response to CLICKING the link, please download this PDF first and then click on it.

CLICK HERE TO **DOWNLOAD** THE COMPLETE MANUAL

Major Assemblies



WARNING: Note that illustrations of assemblies and components may not necessarily conform to the exact installation as they appear on your truck. But this Manual can help you locate specific parts information of your truck.

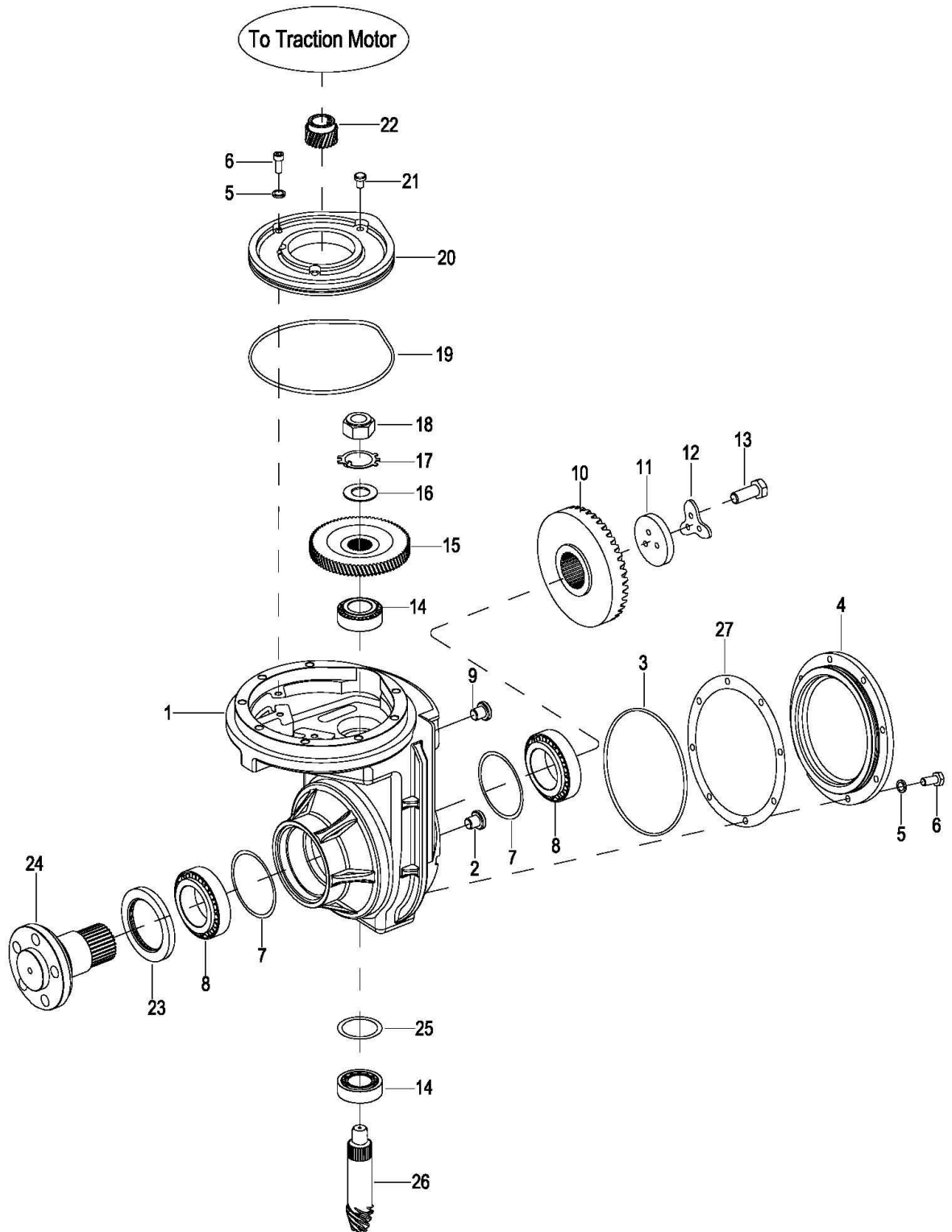
注意：表达在零件目录上的总成和结构内容可能不会完全地出现在您的车型上，但是您可以在零件目录中查询到您所选购车型的零件信息。

0103 Loading Wheel Assembly

承载轮总成

Index	Part No.	Part Name	No.	Applied Date	Remark
序号	零件编号	零件名称	数量	适用日期	备注
1	0000-000700-00	Screw M8×16	3		
2	2320-600003-00	Baffle	1		
3	0000-000620-00	Bolt M6×16	2		
4	0000-000056-00	Lockwasher ø6	2		
5	0000-000380-00	Flatwasher ø6	2		
6	2320-600002-00	Baffle	1		
7	2320-601100-00	Loading Wheel	1		Imported
7	2320-601100-10	Loading Wheel	1		Homebred
8	2320-600001-00	Mounting base	1		
9	0000-000379-00	Flatwasher ø14	2		
10	0000-000233-00	Lockwasher ø14	2		
11	0000-001028-00	Bolt M14×90	2		
12	0000-000858-00	Bushing 50×60×30	1		
13	0000-000857-00	Bearing 6309Z	2		

0202 Gear Case Assembly II

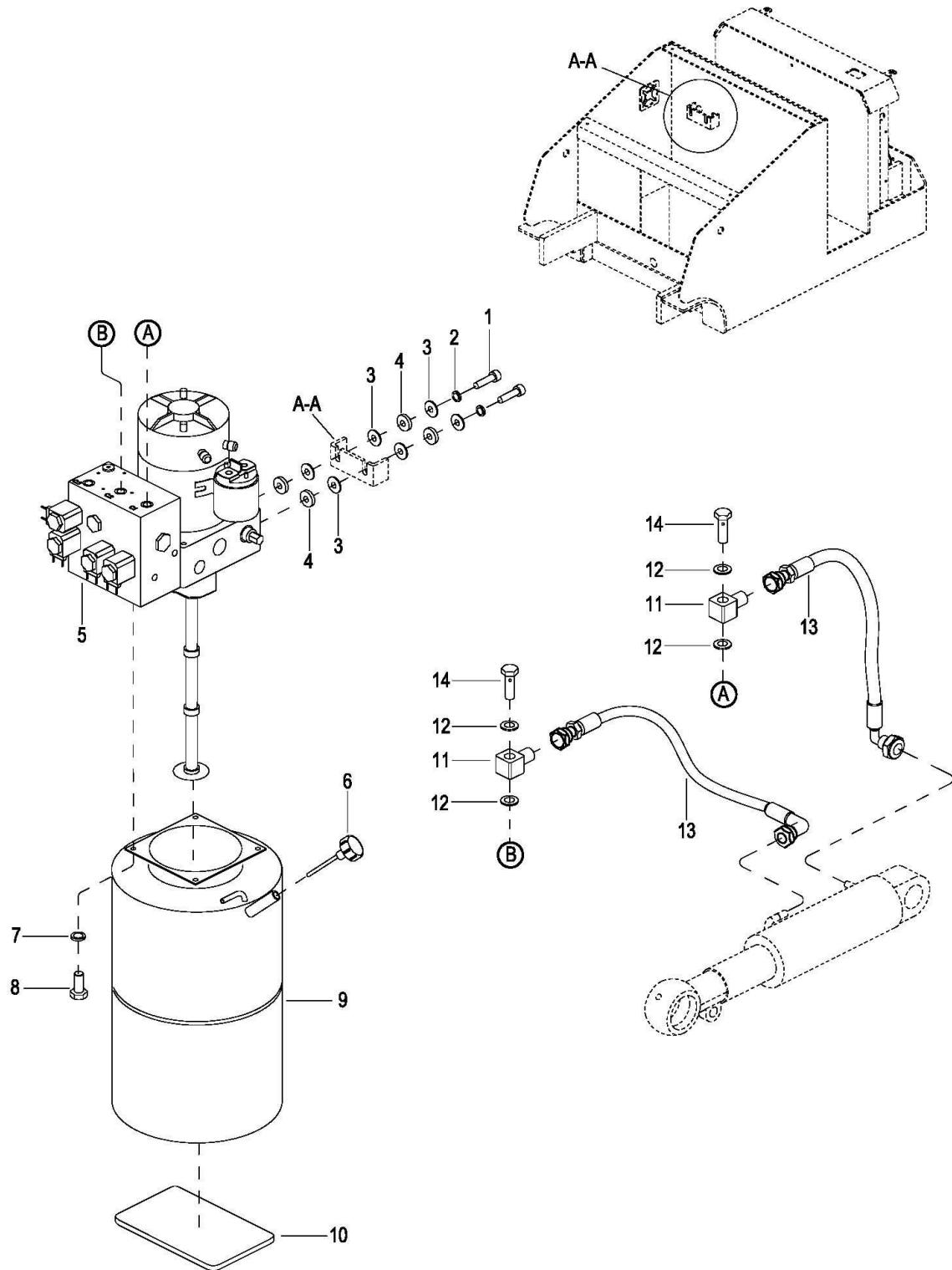


0302 Control Pod Assembly

操作手柄总成

Index	Part No.	Part Name	No.	Applied Date	Remark
序号	零件编号	零件名称	数量	适用日期	备注
1	2320-311000-00	Cap Assembly	1	-327100164	Without Wire
2	1120-340005-00	Travelling Knob R	1	-327100164	
3	0000-000038-00	Lockwasher ø3	2	-327100164	
4	0000-000037-00	Screw M3×12	2	-327100164	
5	0000-000004-00	Screw M5×12	2	-327100164	
6	0000-000206-00	Lockwasher ø5	4	-327100164	
7	0000-000390-00	Flatwasher ø5	4	-327100164	
8	0000-000088-00	Screw M4×8	2	-327100164	
9	0000-000122-00	Lockwasher ø4	2	-327100164	
10	0000-000702-00	Flatwasher ø4	2	-327100164	
11	0000-000151-00	Screw M8×25	2	-327100164	
12	0000-000159-00	Lockwasher ø8	2	-327100164	
13	0000-000176-00	Flatwasher ø8	2	-327100164	
14	1120-340003-00	Travelling Knob L	1	-327100164	
15	1120-343000-00	Button Reverser Cover	1	-327100164	Without Wire
16	0000-000004-00	Screw M5×12	2	-327100164	
17	0000-000035-00	Screw M5×20	4	-327100164	
18	1120-340002-00	Cover	1	-327100164	
19	1120-341000-00	Gripe	1	-327100164	
20	1120-340001-00	Pod	1	-327100164	
21	1220-520008-0C	Accelerator Assembly	1	-327100164	
22	0000-000010-00	Screw M5×6	1	-327100164	
23	1120-343000-00-B	Reversing Switch Assembly See 0304	1	-327100164	With Wire
24	2322-311000-00-B	Cap Assembly See 0303	1	-327100164	With Wire

0401 Hydraulic System



CLICK HERE TO **DOWNLOAD** THE COMPLETE MANUAL

- Thank you very much for reading the preview of the manual.
- You can download the complete manual from: www.heydownloads.com by clicking the link below



- Please note: If there is no response to CLICKING the link, please download this PDF first and then click on it.

CLICK HERE TO **DOWNLOAD** THE COMPLETE MANUAL

0501 Electrical System

电气系统

Index	Part No.	Part Name	No.	Applied Date	Remark
序号	零件编号	零件名称	数量	适用日期	备注
1	0000-000321-00	Screw M8×20	4		
2	0000-000159-00	Lockwasher ø8	4		
3	0000-000194-00	Flatwasher ø8	4		
4	1120-500003-00	Horn	1		
5	See 0502	Controller Board Assembly	1		见 0502
6	01 1115-510006-20	Meter 803	1		Cancelled
	02 1115-510006-2B-01	Meter 803	1		For Storage Battery
	03 1115-510006-2B-02	Meter 803	1		For Maintenance -free Battery
7	1220-520007-0D	Meter Wring Harness 3 PIN	1		
8	0000-000170-00	Screw M6×30	2		
9	0000-000056-00	Lockwasher ø6	2		
10	2322-531000-00	Connector Battery	1		
11	1120-112008-00	Plate	1		
12	01 1220-520002-0C	Power Switch Assembly	1	-101912	
	02 1220-520002-1C	Power Switch Assembly	1	101912-	
13	2322-520002-00	Relay Wire Harness	1		
14	2110-500003-00	Relay Set Clip	2		
15	2110-500004-00	Relay Set	3		
16	2110-500005-00	Relay	3		
17	0000-000121-00	Screw M4×35	4	071013-	
18	0000-000122-00	Lockwasher ø4	4	071013-	
19	0000-000702-00	Flatwasher ø4	4	071013-	
20	1220-520010-0C	Fanner Assembly	1	071013-	
21	1220-500004-00	Veil Mats	1	071013-	
22	2320-520007-00	Switching Wire	1	071013-	

050402 Battery Assembly,224Ah

电瓶总成, 224Ah

Index	Part No.	Part Name	No.	Applied Date	Remark
序号	零件编号	零件名称	数量	适用日期	备注
1	0000-000055-00	Screw M6×16	6		
2	0000-000056-00	Lockwasher ø6	8		
3	0000-000380-00	Flatwasher ø6	4		
4	1120-112008-00	Plate	1		
5	1145-550001-20	Block	4		
6	0000-000119-00	Screw M5×12	2		
7	0000-000206-00	Lockwasher ø5	6		
8	1145-552000-2D	Battery Cover	1		
9	01 1145-550006-02	Battery	4		Cancelled
	02 1145-553006-20	Battery	4		
10	0000-000242-00	Bolt M8×16	8		
11	1145-553002-2L	M2 Cable	1		
12	1145-553001-20	M1 Cable	1		
13	1145-553003-2L	M3 Cable	1		
14	1145-553100-20	Battery Connector Assembly	1		
15	0000-000498-00	Screw M6×30	4		
16	2125-560001-00	Puller Handle	1		
17	0000-000166-00	Nut M6	2		
18	1145-551000-2E	Battery Frame	1	D24140008-	
19	1120-560000-00-01	Charger, 25A	1		
20	1145-550002-20	Insertion	2		
21	1120-560002-00	Charger Cable USA	1		For USA
22	1115-500009-00	Charger Hoop	2		
23	0000-000390-00	Flatwasher ø5	6		
24	0000-000700-00	Screw M8×16	4		
25	0000-000159-00	Lockwasher ø8	4		
26	0000-000176-00	Flatwasher ø8	4		
27	0000-000117-00	Screw M5×10	4		

Form 6.1

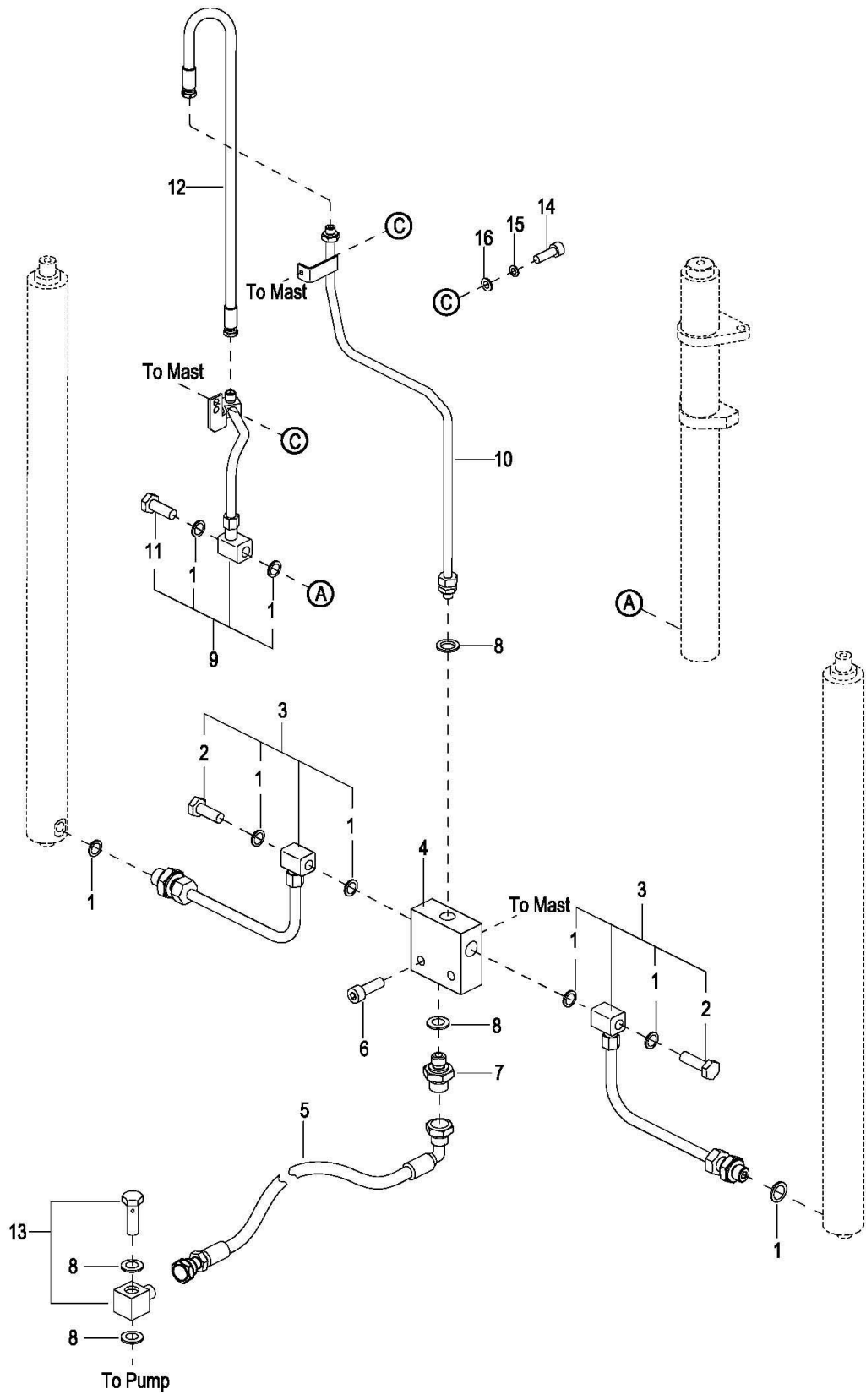
Lifting Height 起升高度		Outer Mast Height 外门架高度		Part No. 外门架编号	Inner Mast Height 内门架高度		Part No. 内门架编号
mm	in	mm	in		mm	in	
2470	97.18	1632	64.25	2320-610000-00-01	1632	64.25	2125-620000-00-01
2670	105.12	1732	68.19	2320-610000-00-02	1732	68.19	2125-620000-00-02
2970	116.93	1882	74.09	2320-610000-00-03	1882	74.09	2125-620000-00-03
3270	128.74	2032	80.00	2320-610000-00-04	2032	80.00	2125-620000-00-04
3570	140.55	2182	85.91	2320-610000-00-06	2182	85.91	2125-620000-00-06
3870	152.36	2332	91.81	2320-610000-00-08	2332	91.81	2125-620000-00-08

0604 Duplex Mast Fork Frame Assembly

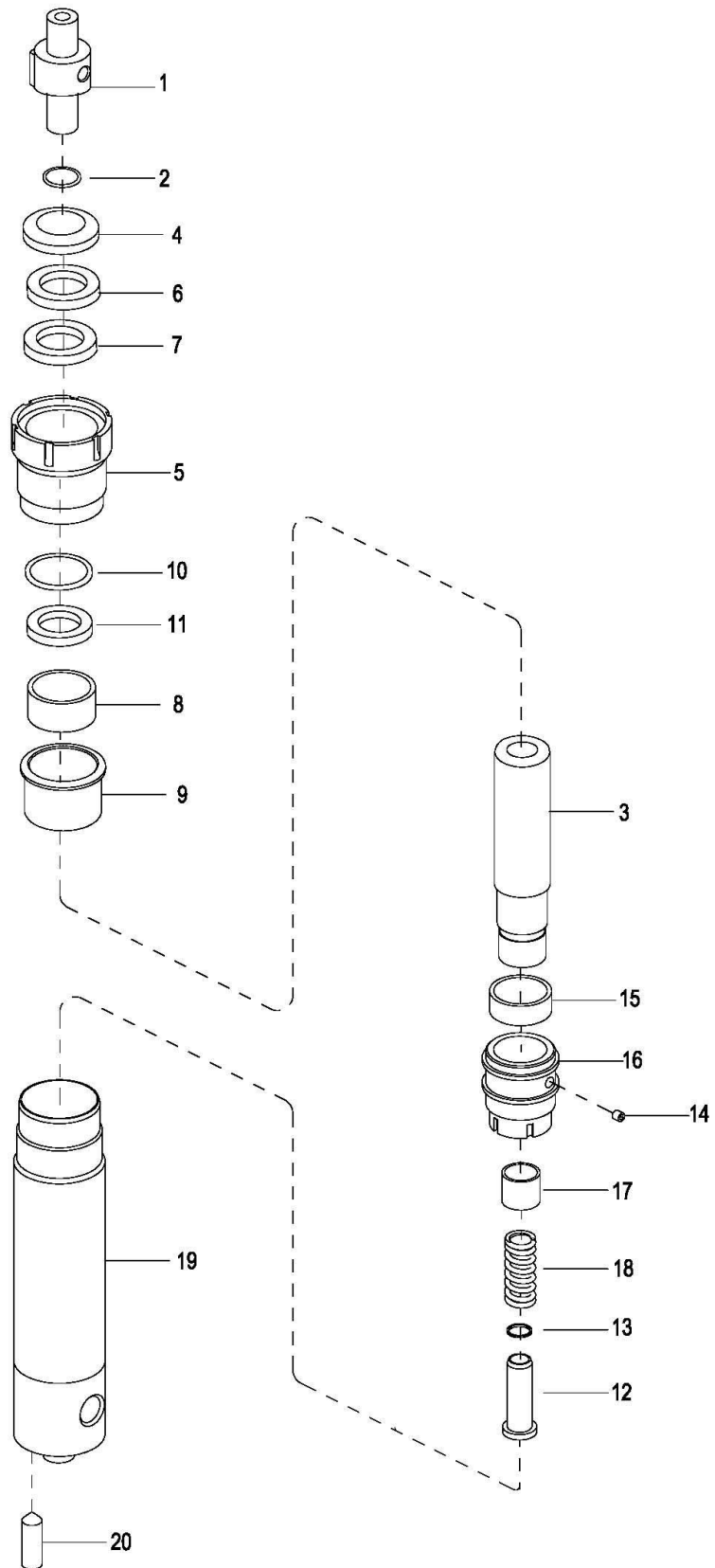
两级门架货叉架总成

Index	Part No.	Part Name	No.	Applied Date	Remark
序号	零件编号	零件名称	数量	适用日期	备注
1	0000-000221-00	Bolt M12×30	4		
2	0000-000060-00	Lockwasher ø12	4		
3	0000-000373-00	Flatwasher ø12	4		
4	2320-631000-00	Blocking Shelf	1		
5	2125-631104-00	Screw	4		
6	2125-612007-00	Snap Ring	4		
7	2125-612002-00	Assistant Roller	4		
8	2125-612001-00	Main Roller	4		
9	2125-612005-00	Dust Snap	4		
10	0000-000183-00	Retainer Ring ø35	4		
11	2125-631000-00	Fork Frame	1		
12	2125-630001-00-01	Fork	2		L=1070mm
12	2125-630001-00-06	Fork	2		L=1150mm
12	2125-630001-00-02	Fork	2		L=1200mm
13	2125-630001-10	Pin Assembly	2		
14	2125-631100-00	Roller Assembly	4		
15	0000-000030-00	Screw M10×16	1		

0608 Triplex Mast Vitta Combination Assembly



0611 Lifting Cylinder-L



CLICK HERE TO **DOWNLOAD** THE COMPLETE MANUAL

- Thank you very much for reading the preview of the manual.
- You can download the complete manual from: www.heydownloads.com by clicking the link below



- Please note: If there is no response to CLICKING the link, please download this PDF first and then click on it.

CLICK HERE TO **DOWNLOAD** THE COMPLETE MANUAL