

# 印中力

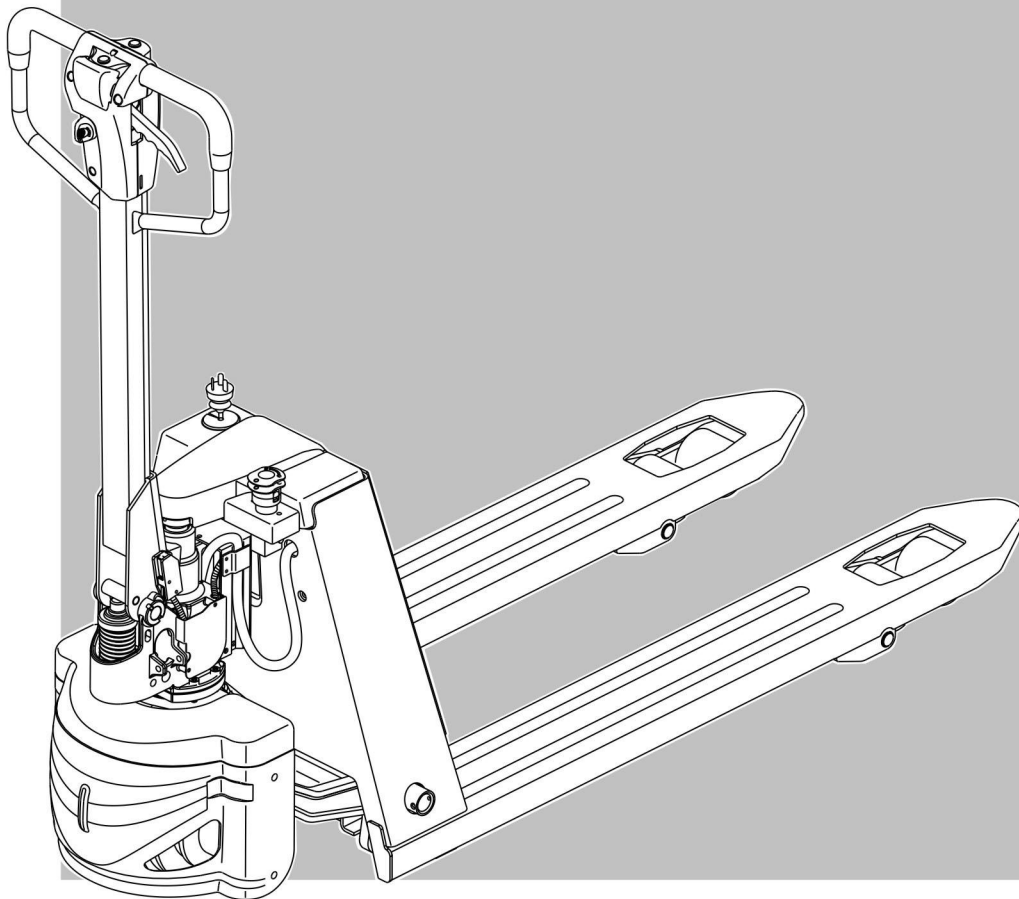
EPT18-EHJ

Semi-electric Pallet Truck

## 半电动搬运车

Parts Manual

## 零件目录



CE

CE CERTIFICATE

CLICK HERE TO **DOWNLOAD** THE COMPLETE MANUAL

- Thank you very much for reading the preview of the manual.
- You can download the complete manual from: [www.heydownloads.com](http://www.heydownloads.com) by clicking the link below



- Please note: If there is no response to CLICKING the link, please download this PDF first and then click on it.

CLICK HERE TO **DOWNLOAD** THE COMPLETE MANUAL

## Index 目录

### 1000Frame System 车身系统

|   |    |
|---|----|
| 0101 Frame System ( Double Wheel ) 车身系统 (双轮) .....    | 3  |
| 0102 Frame System ( Single Wheel ) 车身系统 (单轮) .....    | 5  |
| 0103 Connecting Link ( Double Wheel ) 连杆总成 (双轮) ..... | 7  |
| 0104 Connecting Link ( Single Wheel ) 连杆总成 (单轮) ..... | 9  |
| 0105 Load Wheel ( Double Wheel ) 承载轮 (双轮) .....       | 11 |
| 0106 Load Wheel ( Single Wheel ) 承载轮 (单轮) .....       | 13 |
| 0107 Cover Assembly 外罩总成.....                         | 15 |

### 2000Driving System 驱动系统

|                               |    |
|-------------------------------|----|
| 0201 Driving System 驱动系统..... | 18 |
|-------------------------------|----|

### 3000Operating Control System 操作系统

|   |    |
|---|----|
| 0301 Operating Control System 操作系统..... | 27 |
| 0302 Control Pod Assembly 操作手柄头总成.....  | 29 |

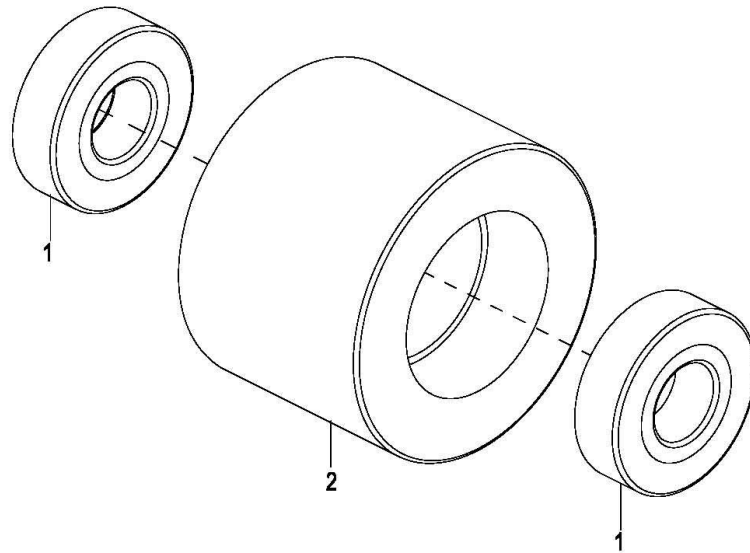
### 4000Hydraulic System 液压系统

|                                 |    |
|---------------------------------|----|
| 0401 Hydraulic System 液压系统..... | 32 |
|---------------------------------|----|

### 5000Electrical System 电气系统

|                                      |    |
|--------------------------------------|----|
| 0501 Electrical System 电气系统.....     | 35 |
| 0502 Wire Harness Assembly 线束总成..... | 37 |
| 0503 Cable Assembly 电缆总成.....        | 39 |

0105 Load Wheel ( Double Wheel )



## 020101 Driving System

## 驱动系统

| Index | Part No.          | Part Name              |         | No. | Applied Date        | Remark                   |
|-------|-------------------|------------------------|---------|-----|---------------------|--------------------------|
| 序号    | 零件编号              | 零件名称                   |         | 数量  | 适用日期                | 备注                       |
| 1     | 1121-200000-A0    | Driving Assembly       | 驱动单元总成  | 1   | 426150001-427202925 | Including Index 2—27     |
| 2     | 01 1115-520012-00 | Brake Assembly         | 制动器总成   | 1   | -426200143          |                          |
|       | 02 1115-520012-0A | Brake Assembly         | 制动器总成   | 1   | 426200144-427190826 |                          |
|       | 03 1115-520012-10 | Brake Assembly         | 制动器总成   | 1   | 427190827-          | EP20181228               |
| 3     | 0000-000662-00    | Flat Key 5×5×12        | 平键      | 2   |                     |                          |
| 4     | 1115-220000-A0    | Driving Wheel          | 驱动轮     | 1   | 426150001-          |                          |
| 5     | 1115-200010-00    | Bearing Baffle         | 轴承挡板    | 1   |                     |                          |
| 6     | 1115-250000-00    | Motor                  | 电机      | 1   |                     |                          |
| 7     | 0000-000663-00    | Bearing 61824-2RS      | 轴承      | 2   |                     |                          |
| 8     | 1121-210001-00    | Gear Case              | 箱体      | 1   | -427202925          |                          |
| 9     | 0000-000671-00    | Oil Seal ø16×28×7      | 骨架油封    | 1   |                     |                          |
| 10    | 1115-200007-00    | Cap                    | 闷盖      | 1   |                     |                          |
| 11    | 0000-000386-00    | Screw M6×20            | 螺钉      | 14  |                     |                          |
| 12    | 0000-000056-00    | Lockwasher ø6          | 弹垫      | 14  |                     |                          |
| 13    | 0000-000013-00    | Grease Fitting M8      | 直通式压注油杯 | 1   |                     |                          |
| 14    | 0000-000704-00    | Pin ø6×20              | 定位销     | 2   |                     |                          |
| 15    | 1115-200001-00    | Gear Cover             | 箱盖      | 1   |                     |                          |
| 16    | 0000-000658-00    | Snap Ring For Hole ø42 | 孔用弹性挡圈  | 1   |                     |                          |
| 17    | 0000-000659-00    | Snap Ring ø15          | 挡圈      | 2   |                     |                          |
| 18    | 0000-000667-00    | Bearing 61905Z         | 轴承      | 1   |                     |                          |
| 19    | 1115-GSX-10       | Gear Kit               | 齿轮修理包   | 1   |                     | The kit includes 2 gears |
|       |                   |                        |         |     | -427202925          | (Pos.19)                 |
| 20    | 0000-000680-00    | Bearing 16003Z         | 轴承      | 1   | -427202925          |                          |
| 21    | 1115-GSX-20       | Gear Kit               | 齿轮修理包   | 1   |                     | The kit includes 2 gears |
|       |                   |                        |         |     | -427202925          | (Pos.21)                 |
| 22    | 0000-000660-00    | Key 5×5×18             | 平键      | 1   |                     |                          |
| 23    | 0000-000026-00    | Screw M8×30            | 螺钉      | 5   |                     |                          |
| 24    | 0000-000159-00    | Lockwasher ø8          | 弹垫      | 10  |                     |                          |
| 25    | 0000-001788-00    | Oil Seal ø155×173×10   | 骨架油封    | 1   | 426150001-          |                          |
| 26    | 01 0000-000661-00 | Screw M5×20            | 螺钉      | 12  |                     | replaced by              |
|       |                   |                        |         |     |                     | #302001000091            |
|       | 02 302001000091   | Screw M5×25            | 螺钉      | 6   |                     |                          |
| 27    | 0000-000206-00    | Lockwasher ø5          | 弹垫      | 6   |                     |                          |
| 28    | 1115-240001-00    | Brake lining           | 刹车片     | 1   |                     |                          |
| 29    | 01 0000-000665-00 | Screw M4×45            | 螺钉      | 3   | -426200143          |                          |
|       | 02 1115-240003-0A | Screw M4×40            | 螺钉      | 3   | 426200144-          |                          |
| 30    | 0000-001230-00    | Bearing 51113          | 推力球轴承   | 1   |                     |                          |
| 31    | 0000-001231-00    | Bearing 6013-Z         | 轴承      | 1   |                     |                          |
| 32    | 1115-231000-00    | Bracket                | 电机线安装座  | 1   |                     |                          |
| 33    | 0000-000004-00    | Screw M5×12            | 螺钉      | 2   |                     |                          |
| 34    | 1115-250001-00    | Brush                  | 碳刷      | 4   |                     |                          |
| 35    | 1115-250002-00    | Brush Spring           | 碳刷弹簧    | 4   |                     |                          |
| 36    | 1115-250003-00    | Holder Brush           | 碳刷架     | 1   |                     |                          |

**4000**

**Hydraulic System**

液压系统

CLICK HERE TO **DOWNLOAD** THE COMPLETE MANUAL

- Thank you very much for reading the preview of the manual.
- You can download the complete manual from: [www.heydownloads.com](http://www.heydownloads.com) by clicking the link below



- Please note: If there is no response to CLICKING the link, please download this PDF first and then click on it.

CLICK HERE TO **DOWNLOAD** THE COMPLETE MANUAL