

Parts Catalogue

SD2550CS

Tracked paver

Engine: Cummins Tier4F / Stage IV

Print Date : 7th Oct 2020



© 2020 Dynapac GmbH

*Your Partner
on the Road Ahead*

dynapac.com

CLICK HERE TO **DOWNLOAD** THE COMPLETE MANUAL

- Thank you very much for reading the preview of the manual.
- You can download the complete manual from: www.heydownloads.com by clicking the link below



- Please note: If there is no response to CLICKING the link, please download this PDF first and then click on it.

CLICK HERE TO **DOWNLOAD** THE COMPLETE MANUAL

4812027610 Hydraulic, operation platform

4812027610 Hydraulic, operation platform See page 211
4812033247 Control block See page 77

4812017300 Operator board

4812017300 Operator board See page 213

4812227100 Clamping lever

4812227100 Clamping lever See page 215
4812228437 Telescopic pipe set See page 217
4812005193 Console See page 218
4812007259 Stop bolt See page 220

4812019276 Platform, V5.1, moveable, house - Noise protection

4812019276 Platform, V5.1, moveable, house 246

4812017298 Platform

4812017298 Platform See page 172

4812017444 Platform

4812017444 Platform See page 173
4812227769 Bottom plate, middle See page 179
4812005148 Base plate See page 180
4812225524 Crash protection, r.h. See page 181
4812225523 Crash protection, l.h. See page 182
4812006340 Sheet tub See page 183

4812009765A Cover

4812009765A Cover See page 187

4812226903 Cover, l.h.

4812226903 Cover, l.h., cpl. See page 161
4812226815 Cover, l.h. See page 188

4812226904 Cover, r.h.

4812226904 Cover, r.h., cpl. See page 160
4812225707 Cover, r.h. See page 190

4812008979 Guide platform

4812008979 Guide platform See page 194
4812008980 Retainer See page 195

4812008045 Guide

4812008045 Guide, front See page 196
4812008054 Guide tube See page 197
4812008046 Guide profile l.h. See page 198
4812008047 Guide profile r.h. See page 199

4812006436 Guide

4812006436 Guide, back See page 200
4812047665 Security rail See page 201

4812018369 Weather protection house cpl.

4812018369 Weather protection house cpl. 253

4812018363 Umbrella roof

4812018363 Umbrella roof 254
4812225528 Roof frame rear See page 203
4812225474 Roof frame front See page 204

4812018364 GFK-roof frame

4812018364 GFK-roof frame 255
4812017852 Weather roof 256

4812032289 End support, plate

4812032289 End support, plate	See page 472
D439082200 End support	See page 473
4812032175 Auger extension, r.h. 320 mm	See page 463
4812032803 Protection cover L:640mm	See page 475
4812032804 Protection cover L:320 mm	See page 464

4812233058 Auger Ø500mm, 6.98m

4812233058 Auger Ø500mm, 6.98m	521
--------------------------------	-----

4812233023 Auger, basic width 500

4812233023 Auger, basic width 500	See page 446
-----------------------------------	--------------

4812232996 Auger box

4812232996 Auger box	See page 447
4812026736 Outer support	See page 449
4812016497 Auger support	See page 451
4812232097 Mounting parts	See page 453
4812027736 Wear part kit auger wing Ø500mm	See page 3
4812075191 Renewal kit I, auger drive	See page 4
4812075192 Renewal kit II, auger drive	See page 5
4812045075 Auger gear	See page 454
4812032831 Protection cover	See page 455

4812047209 Extension part f. auger Ø500mm

4812047209 Extension part f. auger Ø500mm	523
---	-----

4812032412 Auger Ø500mm, 6,98m

4812032412 Auger Ø500mm, 6,98m	524
4812032170 Auger extension, l.h. L:960 mm	See page 490
4812032171 Auger extension, r.h. L:960 mm	See page 489
4812032172 Auger extension, l.h. 640mm	See page 470
4812032173 Auger extension, r.h. 640mm	See page 471
4812028782 Strut material duct, l.h. L:960mm	See page 505
4812028787 Strut material duct, r.h. L:960mm	See page 506

4812031804 Outer support

4812031804 Outer support	See page 507
D438081200 End support	See page 508
4812028789 Strut material duct L:960mm	See page 510
4812032406 Auger wing Ø500mm, l.h.	See page 511
4812032407 Auger wing Ø500mm, r.h.	See page 512
4812032174 Auger extension, l.h. 320 mm	See page 461
4812032175 Auger extension, r.h. 320 mm	See page 463
4812028794 Material tunnel, cpl. L:320mm	See page 462
4812032802 Protection cover L:960 mm	See page 491
4812032804 Protection cover L:320 mm	See page 464

4812029259 Brace

4812029259 Brace	See page 513
------------------	--------------

Cross struts

4812028882 Cross struts	See page 516
4812201937 Cross struts	See page 517

4812032502 additional Extension parts

4812032502 additional Extension parts	529
4812028792 Material tunnel, cpl. L:640mm	See page 469

4812032289 End support, plate

4812032289 End support, plate	See page 472
D439082200 End support	See page 473
4812032803 Protection cover L:640mm	See page 475

4812028192 Hydraulic tank, cpl.	
4812028135 Return suction filter	675
4812028192 Hydraulic tank, cpl.	676
4812028192A Hydraulic tank, cpl. - from 0G001000, 1002, 1015 ff.	
4812028192A Hydraulic tank, cpl.	678
4812028135 Return suction filter	See page 675
4812225757 Hydraulic tank, cpl. - from 0G001278, 1279, 1282, 1284, 1285 ff.	
4812225757 Hydraulic tank, cpl.	681
4812225231 Hydraulic tank	683
4812009435 Return suction filter	684
4812035052 Ganged valve support	
4812035052 Ganged valve support	685
4812035032A Hose package screed 616 / 617	
4812035032A Hose package screed 616 / 617	686
4812036460 Screed in / out	687
4812035034A Tamper / Vibration	688
4812037363A Hose package screed 616 / 617	
4812037363A Hose package screed 616 / 617	690
4812036460 Screed in / out	See page 687
4812037372 Hose package roof profile 616/617	
4812037372 Hose package roof profile 616/617	692
4812007695 Hose package hydr. end plate 616/617	
4812007695 Hose package hydr. end plate 616/617	693
4812007545 Hose package screed R300 Konstant / constant	
4812007545 Hose package screed R300 Konstant / constant	694
4812036353A Screed in / out	695
4812007542 Tamper / Vibration Konstant / constant	696
4812007541 Hose package screed R300 Konstant / constant	
4812007541 Hose package screed R300 Konstant / constant	698
4812007509 Screed in / out R300 VT	699
4812007542 Tamper / Vibration Konstant / constant	See page 696
4812036309 Hose package screed R300 Verstell / variable	
4812036309 Hose package screed R300 Verstell / variable	701
4812036353A Screed in / out	See page 695
4812036364 Tamper / Vibration	702
4812007508 Hose package screed R300 Verstell / variable	
4812007508 Hose package screed R300 Verstell / variable	705
4812007509 Screed in / out R300 VT	See page 699
4812036364 Tamper / Vibration	See page 702

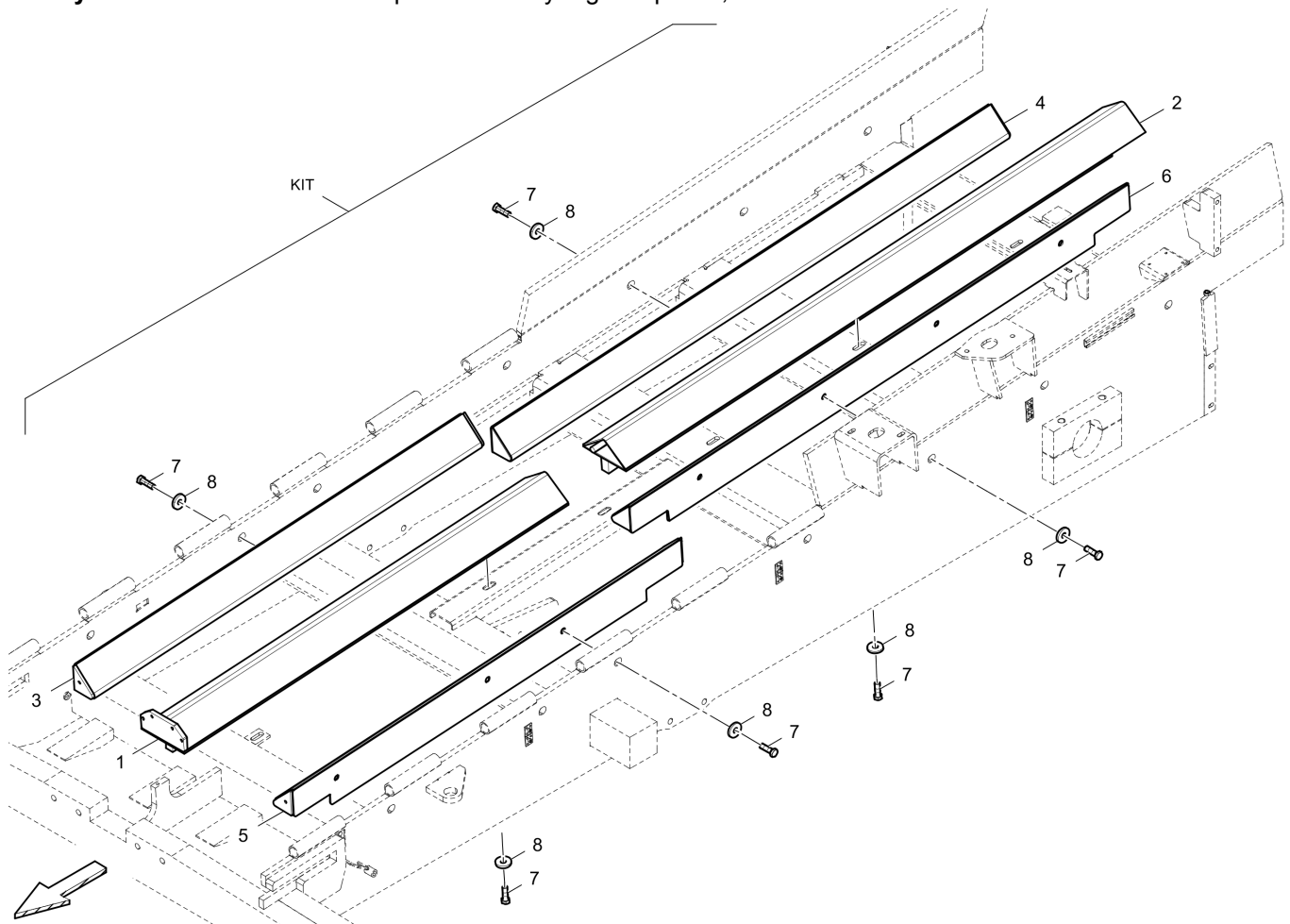
Electric system

Electric

4812016488A Electronic installation	707
4812016192 Junction box	
4812016192 Junction box	708
4812030191 Junction box	719
4812031400 Cable W23	720
4812016531 Harness W20	721

4812016219 Electric

Item	Part No.	Name	Qty	L	C	SN INFO
4.1	4812035551	Wear part kit rubber plates	1			
4.2	4812075149	Wear part kit, track roller	1			
4.3	4812076628	Wear part kit, idler	1			
4.4	4812076571	Wear part kit, drive sprocket	1			
5		Service kits				
5.1	4700691229	Service kit 500hrs	1			
5.2	4812043983	Service kit 500 h Plus TIER 3	1			
5.3	4812046969	Service kit 1000 h TIER 3, stage 2	1			
5.4	4812023851	Service kit 1000 h Plus TIER 3, stage 2	1			
5.5	4812023923	Filter kit 1000h	1			
6		Lubricants				
6.1		Lubricants and operating substances	1			
7		General kits				
7.1	4812077016	Fuse and relay kit	1			
7.2	4812064469	Plug kits	1			

Conveyor kits 4812237610 Wear part kit conveyor guide plates, Hardox 400

Item	Part No.	Name	Qty	L	C	SN INFO
KIT	4812237610	Wear part kit conveyor guide plates, Hardox 400	1			
1	4812237579	Guide plate, middle front	1			
2	4812237596	Guide plate, middle back	1			
3	4812237576	Guide plate, r.h. front	1			
4	4812237603	Guide plate, r.h. back	1			
5	4812237577	Guide plate, l.h. front	1			
6	4812237602	Guide plate, l.h. back	1			
7	0147147903	Hex. head screw M16X50	20			
8	4749900538	Washer	20			

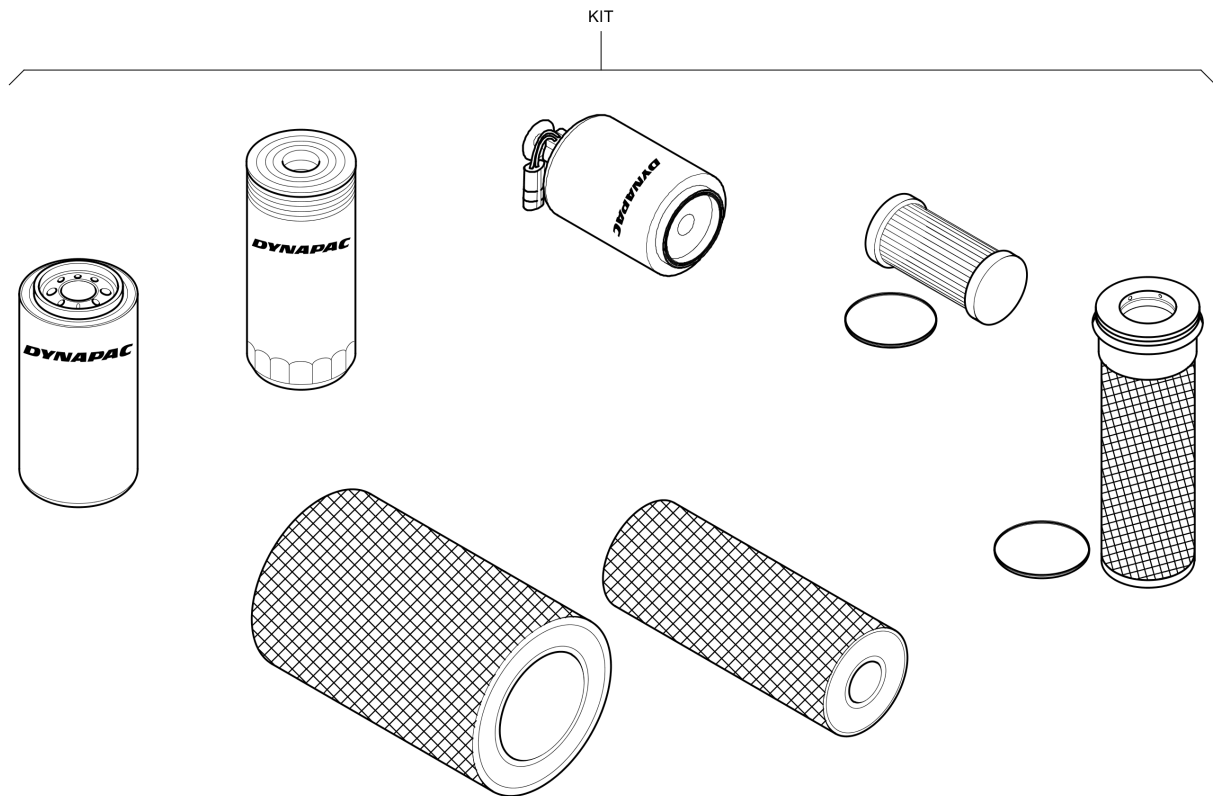
Refer to Parts Online for the most up to date information. The printed information might be outdated.

Wed Oct 07 05:07:23 UTC 2020

Item	Part No.	Name	Qty	L	C	SN INFO
15	4812009437	Vent filter	1			

Referenced Pages

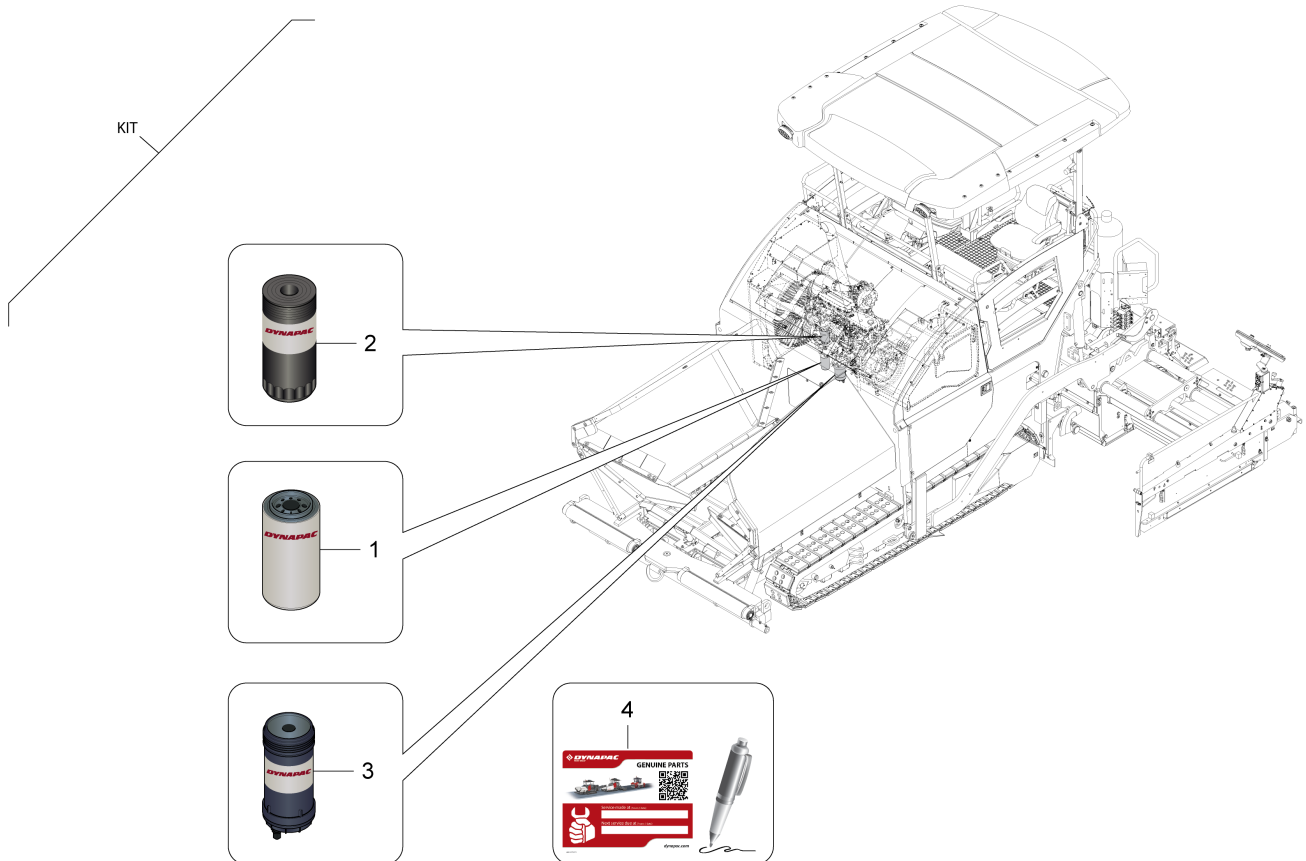
4812027736 Wear part kit auger wing Ø500mm	3
4812075191 Renewal kit I, auger drive	4
4812075192 Renewal kit II, auger drive	5

Service kit 1000 h 4812023925 Filter kit 1000h

Item	Part No.	Name	Qty	L	C	SN INFO
KIT	4812023925	Filter kit 1000h	1			
-	4700939082	Oil filter	1			
-	4812034566	Air cleaner element big	1			
-	4812034567	Air cleaner element small	1			
-	4812158187	Fuel filter	1			
-	4812041531	Fuel prefilter	1			
-	4812018071	Filter element	3			
-	D932213784	O-ring	3			
-	4812034802	Filter element	1			
-	4812015479	O-ring	1			
-	4812009437	Vent filter	1			

Refer to Parts Online for the most up to date information. The printed information might be outdated.

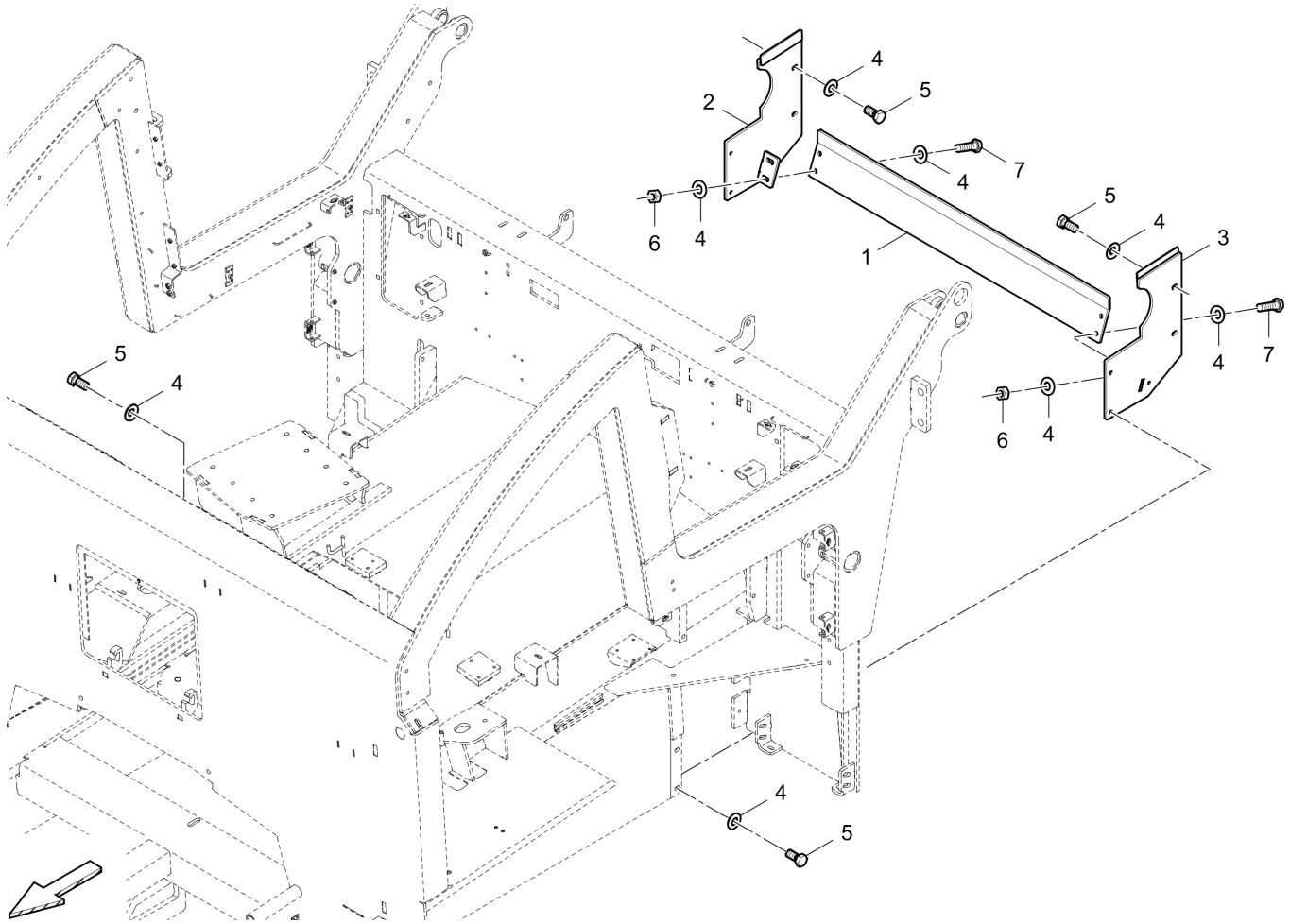
Wed Oct 07 05:07:52 UTC 2020

Service kit 500 h 4812012939 Service kit 500 h TIER 4F**500 Stunden / Hours**

Item	Part No.	Name	Qty	L	C	SN INFO
KIT	4812012939	Service kit 500 h TIER 4F	1			
1	4700939082	Oil filter	1			
2	4812158187	Fuel filter	1			
3	4812160783	Water separator	1			
4	4812075275	Decal, next service intervall	1			

Refer to Parts Online for the most up to date information. The printed information might be outdated.

Wed Oct 07 05:08:00 UTC 2020

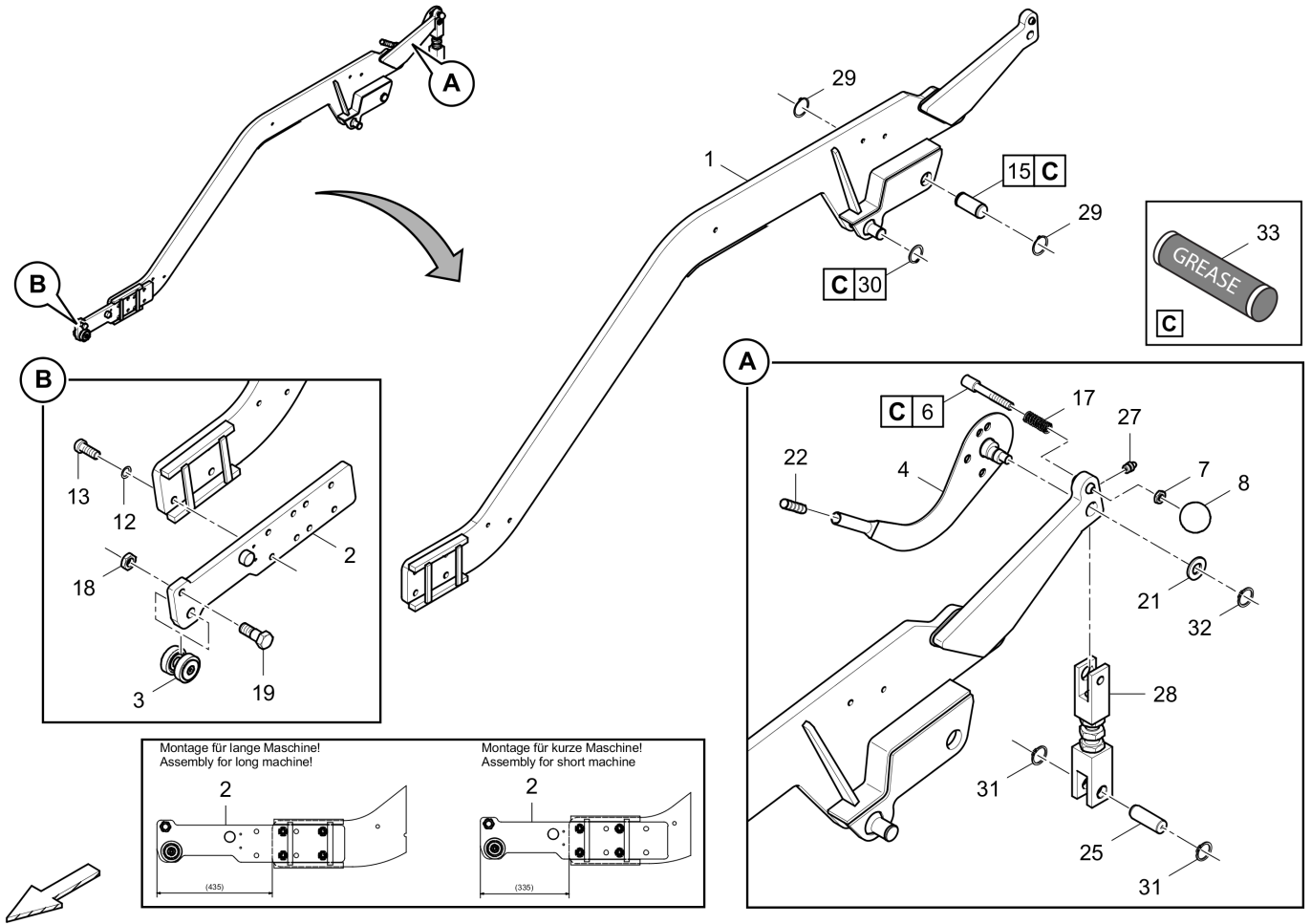
4812016238 Main frame 4812231639 Splash guard

Item	Part No.	Name	Qty	L	C	SN INFO
1	4812028345	Plate	1			
2	4812231633	Cover plate, r.h.	1			
3	4812231638	Cover plate, l.h.	1			
4	D930435674	Washer	16			
5	0147140003	Screw	8			
6	0266211200	Hexagon nut	4			
7	0147140303	Hexagon bolt M12X40	4			

Refer to Parts Online for the most up to date information. The printed information might be outdated.

Wed Oct 07 05:08:14 UTC 2020

4812029197 Side screed arm, r.h. 4812029197 Side screed arm, r.h.

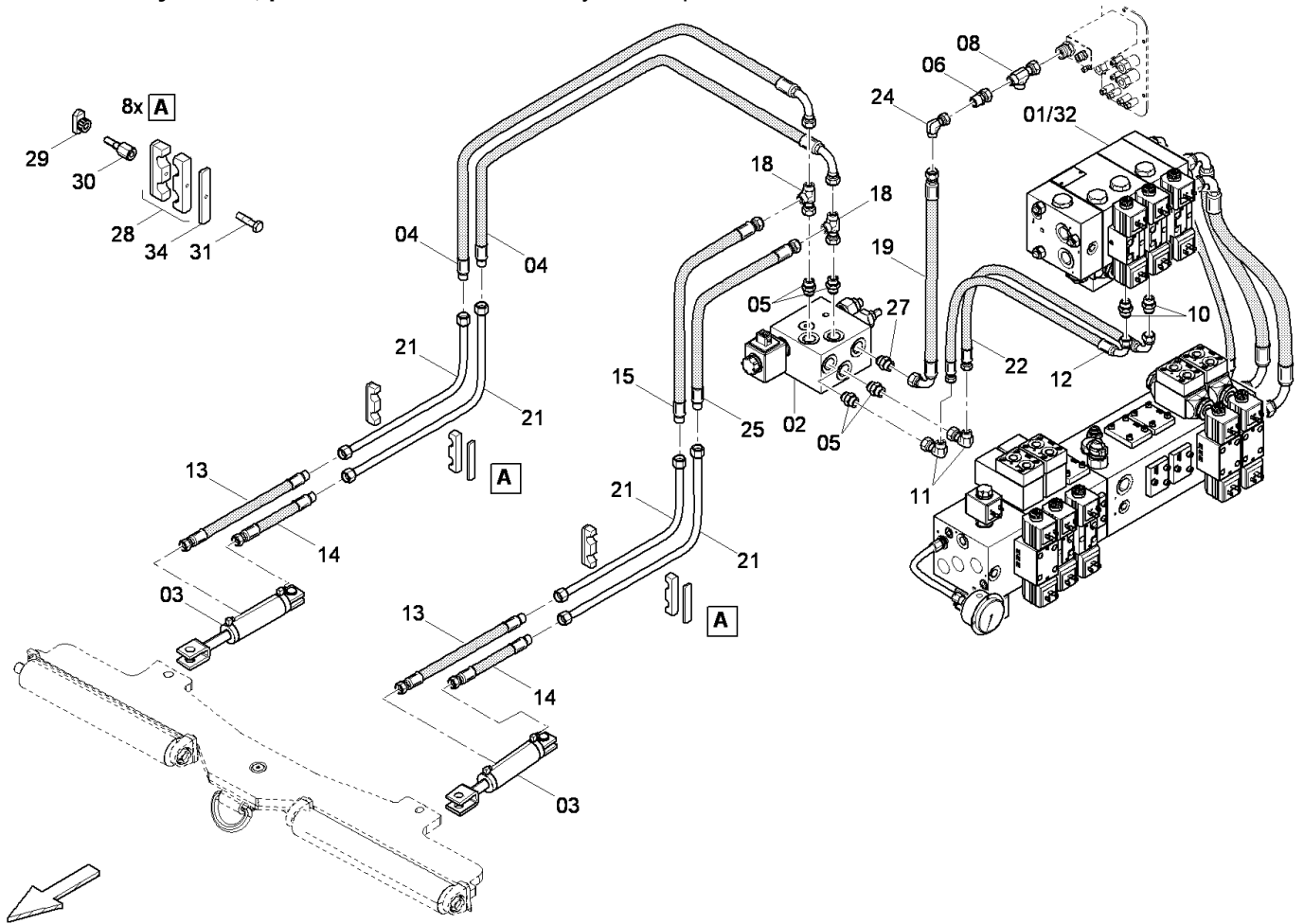


Item	Part No.	Name	Qty	L	C	SN INFO
1	4812029199	Side screed arm, r.h.	1			
2	4812029091	Side screed arm pull part	1			
3	4720000097	Side arm guiding	1			
3	4812232214	Side arm guiding	1			Valid for sn 3002348,53,55,67,73,74,7 6, ff
4	4812033089	Eccentric lever	1			
6	4730005276	Bolt	1			
7	0261109960	Hexagon nut	1			
8	0362110901	Handle	1			
12	0333310044	Lock Washer	4			
13	0215001063	Hexagon socket head cap screw	4			
15	4812029166	Bolt	1			
17	4812217435	Compression spring	1			
18	0261109935	Nut	1			
19	4812029173	Dowel screw	1			
21	0300027413	Washer DIN125	1			

Refer to Parts Online for the most up to date information. The printed information might be outdated.

Wed Oct 07 05:08:22 UTC 2020

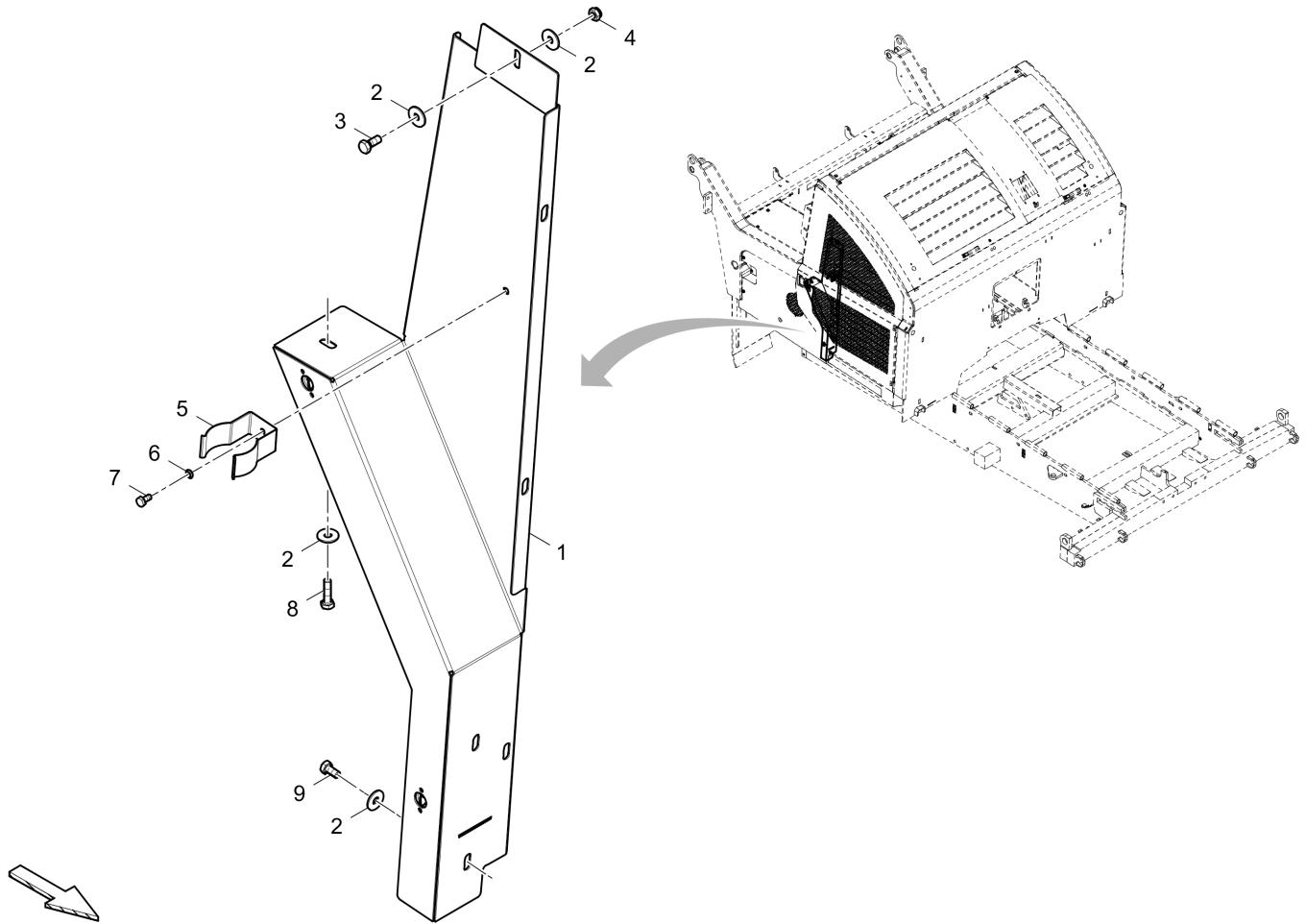
4812027642 Hydraulic, push roller 4812027642 Hydraulic, push roller



Item	Part No.	Name	Qty	L	C	SN INFO
1	4812033247	Control block	1			
2	4812029125	Valve block	1			
2	4812215454	Valve block	1			Valid for s/n G002806, 2937, ff
3		Hydraulic cylinder				
3.1	4812027700	Push roller cylinder	2			
3.1.1	4812000032	Seal kit	1			
3.2	4812010535	Hydraulic cylinder			Not Valid	
4	4812032720	Hose	2			
5	D961935103	Straight double-ended union	4			
6	D961920632	Reducing socket	1			
8	D961919012	Swivel nut branch tee	1			
10	D961935234	Male connector	2			
11	D961917006	Elbow socket	2			
12	4812032714	Hose	1			
13	4812032646	Hose	2			

Refer to Parts Online for the most up to date information. The printed information might be outdated.

Wed Oct 07 05:08:26 UTC 2020

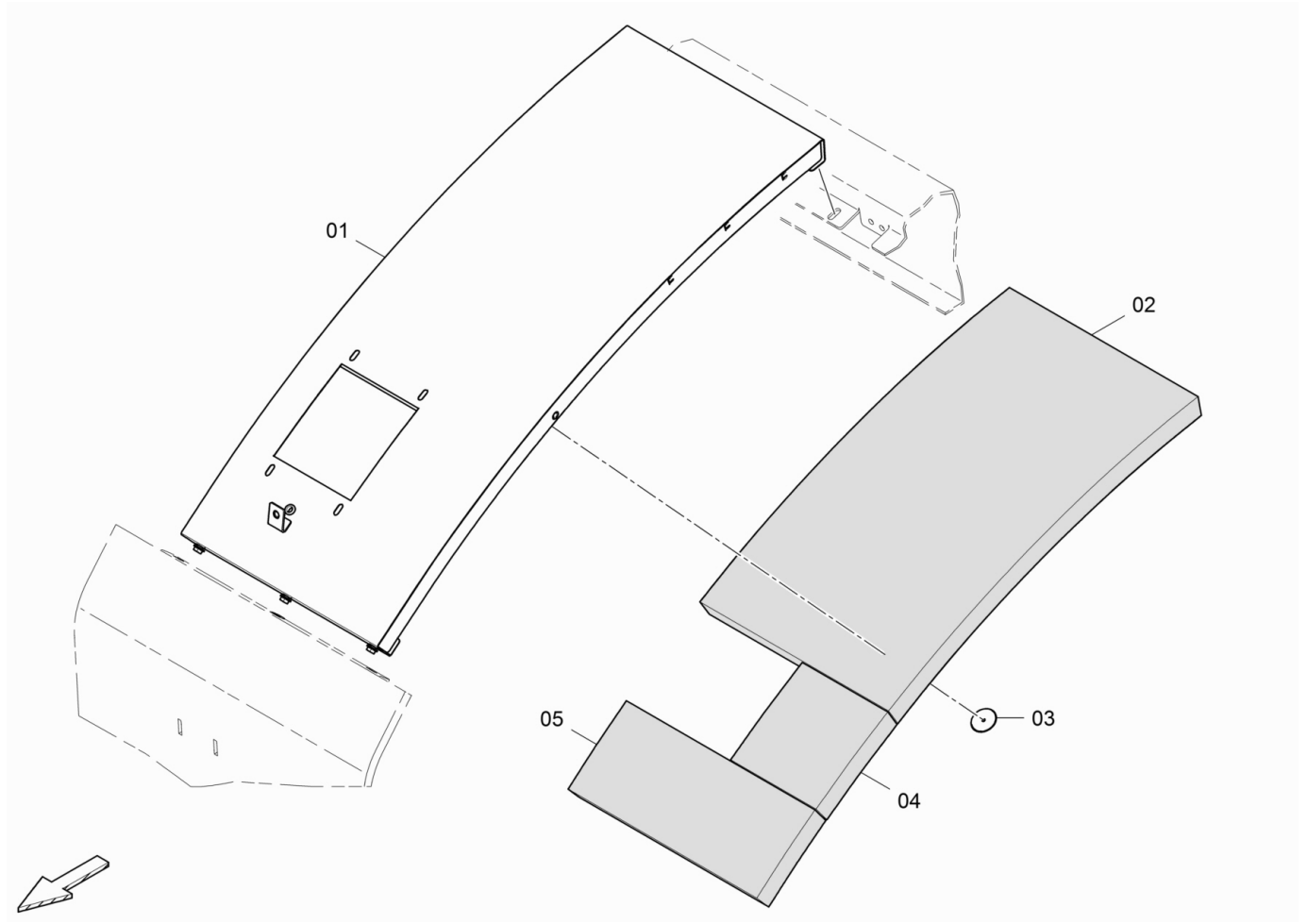
481200491C Covering, isolated 4812225657 Air guide, rear

Item	Part No.	Name	Qty	L	C	SN INFO
1	4812225658	Air guide, rear	1			
2	0300013040	Flat washer	5			
3	0147132303	Hexagon bolt	1			
4	0291118802	Hexagon nut	1			
5	4812036053	Clasp	1			
6	0333310045	Schnorr-lock washer	1			
7	0147124403	Screw	1			
8	0147132603	Screw	1			
9	0147132203	Hexagon head screw	2			

Refer to Parts Online for the most up to date information. The printed information might be outdated.

Wed Oct 07 05:08:33 UTC 2020

4812226906 Intermediate section 4812226906 Intermediate section

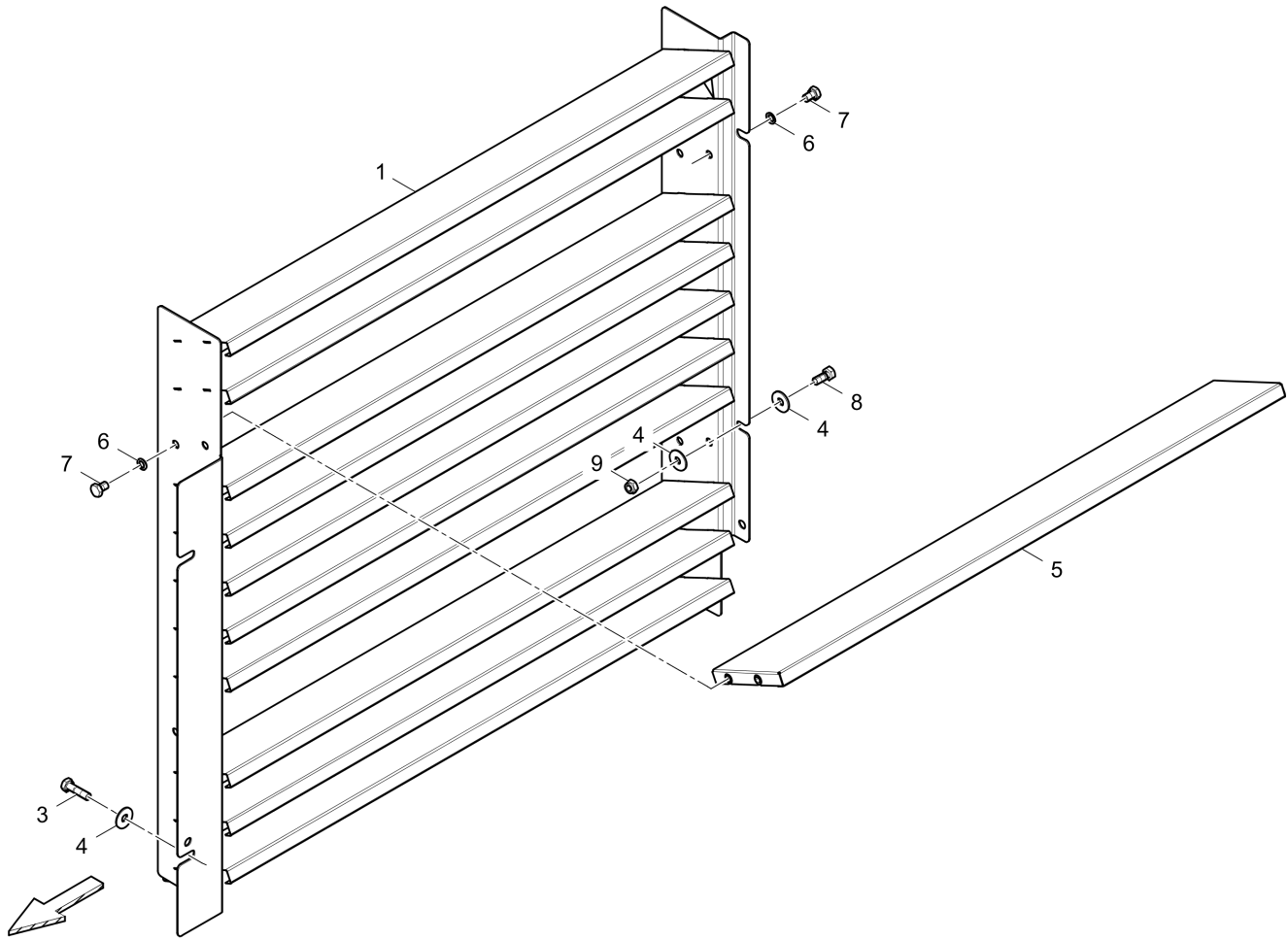


Item	Part No.	Name	Qty	L	C	SN INFO
1	4812225631	Intermediate section	1			
2	4812044590	Insulating board	1			
3	4749301479	Clip	9			
4	4812044591	Insulating board	1			
5	4812044593	Insulating board	1			

Referenced Pages

4812041407 Support rod 110

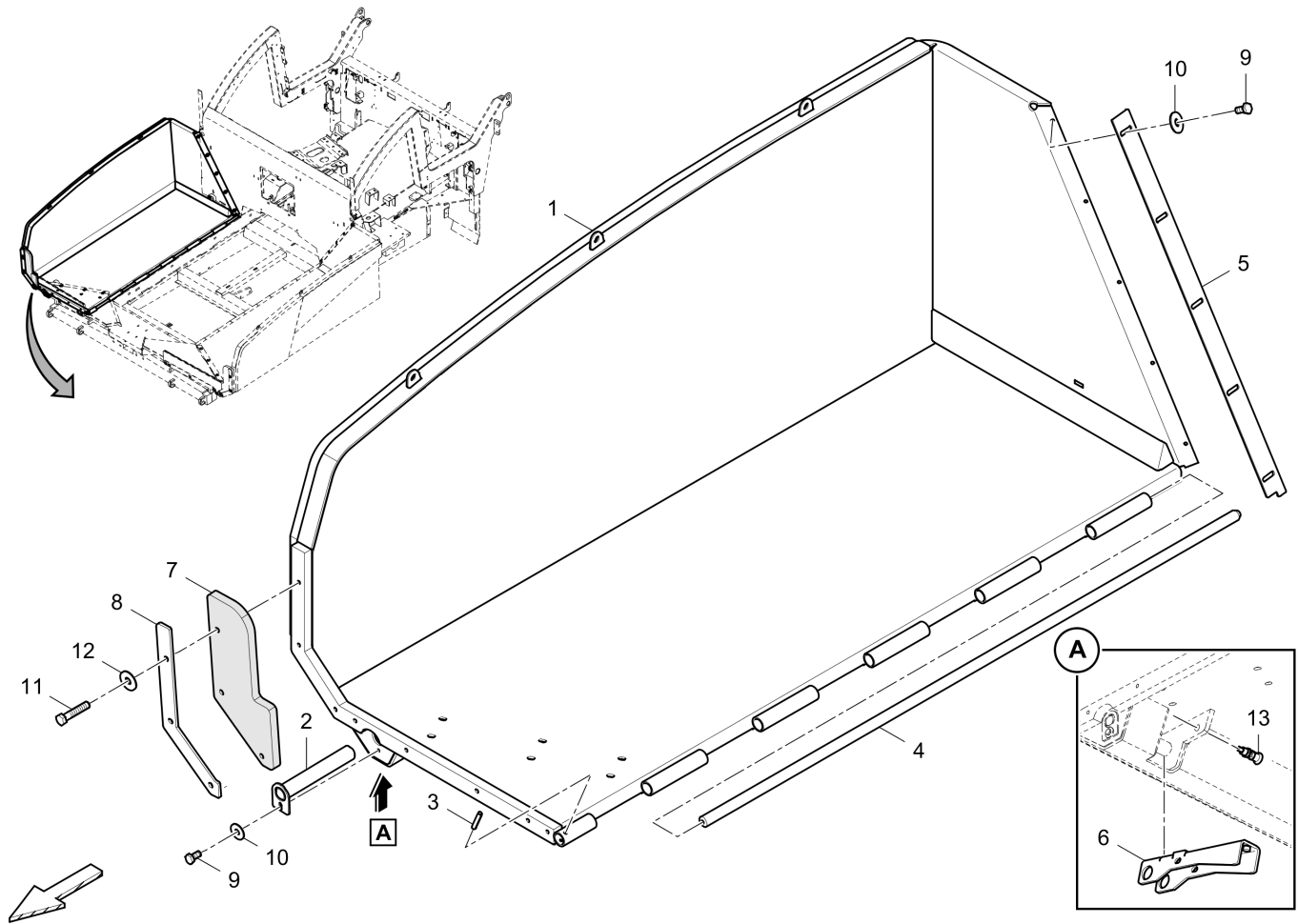
4812226463 Disc frame 4812044596 Disc frame



Item	Part No.	Name	Qty	L	C	SN INFO
1	4812044469	Disc frame	1			
3	0147132603	Screw	2			
4	0300013040	Flat washer	6			
5	4812046433	Disc	2			
6	0333310036	Schnorr-lock washer	8			
7	0147132003	Hex. head screw	8			
8	0147132303	Hexagon bolt	2			
9	0291118802	Hexagon nut	2			

Refer to Parts Online for the most up to date information. The printed information might be outdated.

Wed Oct 07 05:08:50 UTC 2020

4812229126 Hopper, r.h. 4812229126 Hopper, r.h.

Item	Part No.	Name	Qty	L	C	SN INFO
1	4812229113	Hopper, r.h.	1			
1	4812061621	Hopper, r.h.	1			Valid for sn G002545
2	4812027931	Bolt	1			
3	D931501125	Dowel pin	1			
4	4812029002	Hopper bolt	1			
5	4812027934	Stripper	1			
5	4812061632	Stripper				Valid for sn G002545
6	4812231436	Locking	1			
7	4812227289	Hopper rubber	1			
8	4812044182	Sheet cast	1			
9	0147136003	Screw cap	6			
10	0300013038	Flat washer	6			
11	0147140703	Hex. head screw M12 x 60	3			
12	0300013042	Flat washer	3			
13	4812015609	Stop bolt	1			

Refer to Parts Online for the most up to date information. The printed information might be outdated.

Wed Oct 07 05:08:59 UTC 2020

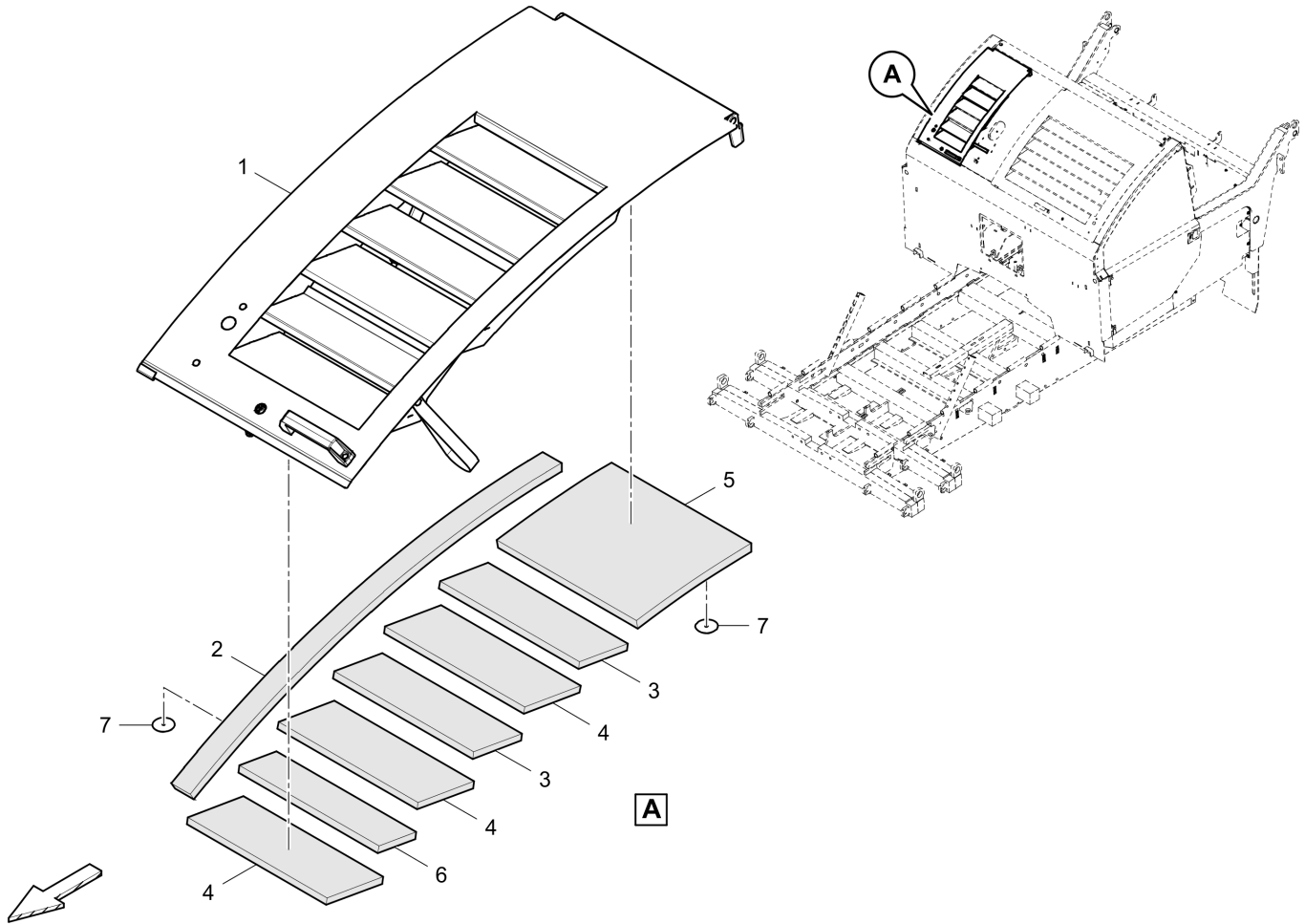
Referenced Pages

4812027609 Hydraulic 76
4812033247 Control block 77

Referenced Pages

4812029191 Locking, hydraulic 75

4812008403 Covering, isolated T4F 4812227095 Engine hood, r.h. T4F



Item	Part No.	Name	Qty	L	C	SN INFO
1	4812227094	Engine hood r.h.	1			
2	4812044572	Insulating board	1			
3	4812200615	Insulating material	2			
4	4812200613	Insulating material	3			
5	4812200614	Insulating material	1			
6	4812226361	Insulating material	1			
7	4749301479	Clip	6			

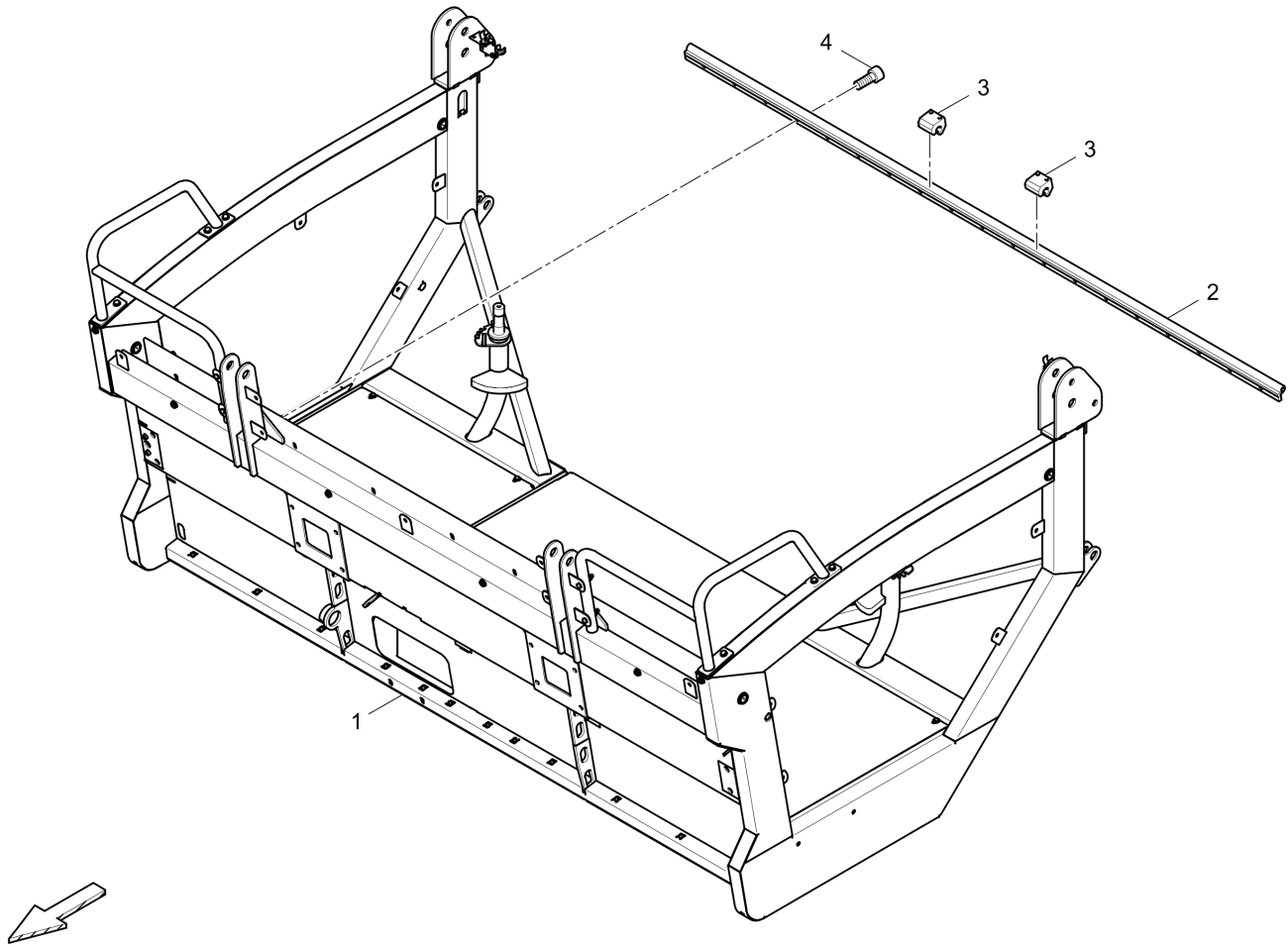
Refer to Parts Online for the most up to date information. The printed information might be outdated.

Wed Oct 07 05:09:15 UTC 2020

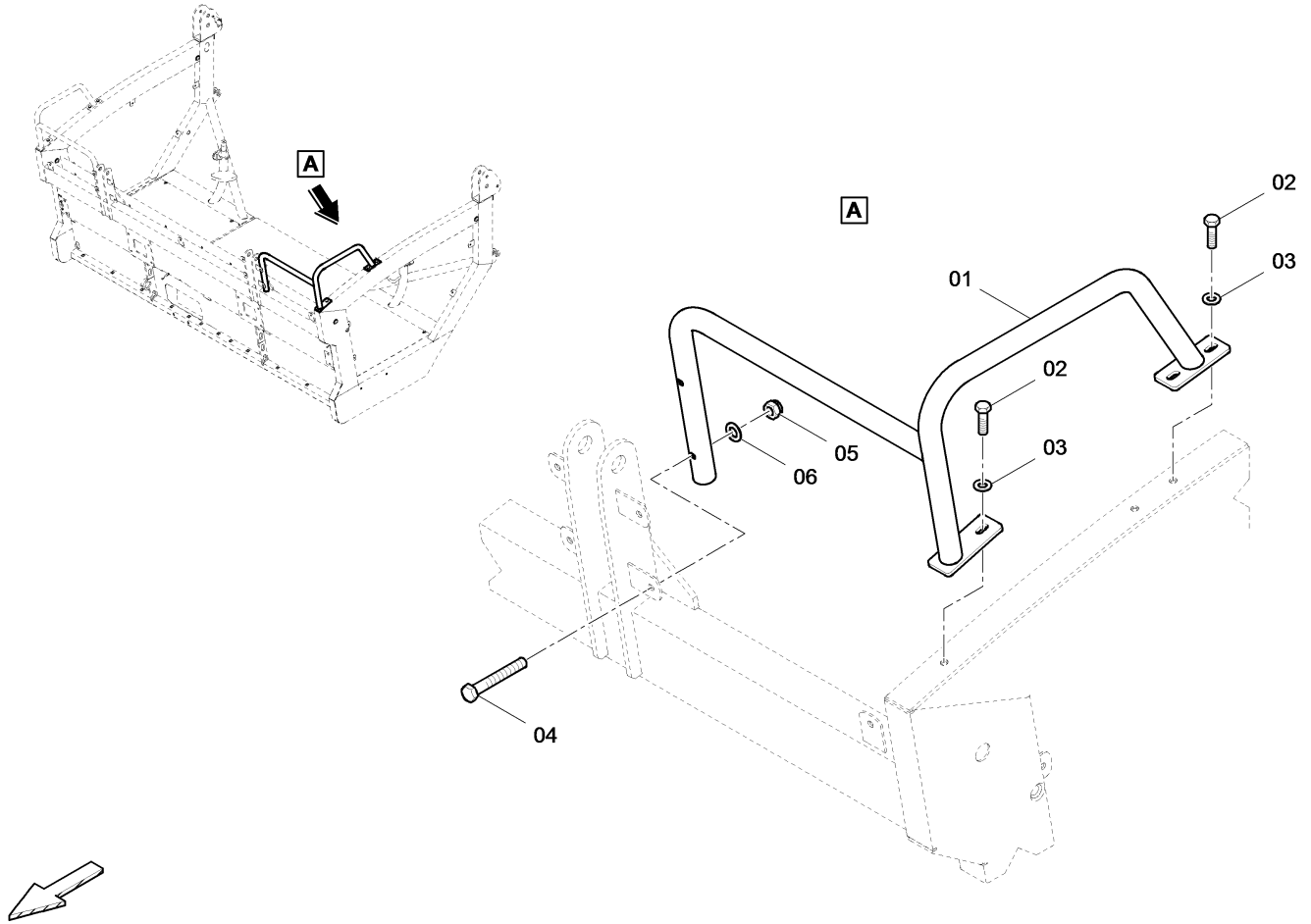
Referenced Pages

4812226899 Air guide, r.h., cpl.	104
4812034771 Air guide, r.h.	105

4812017298 Platform 4812017298 Platform



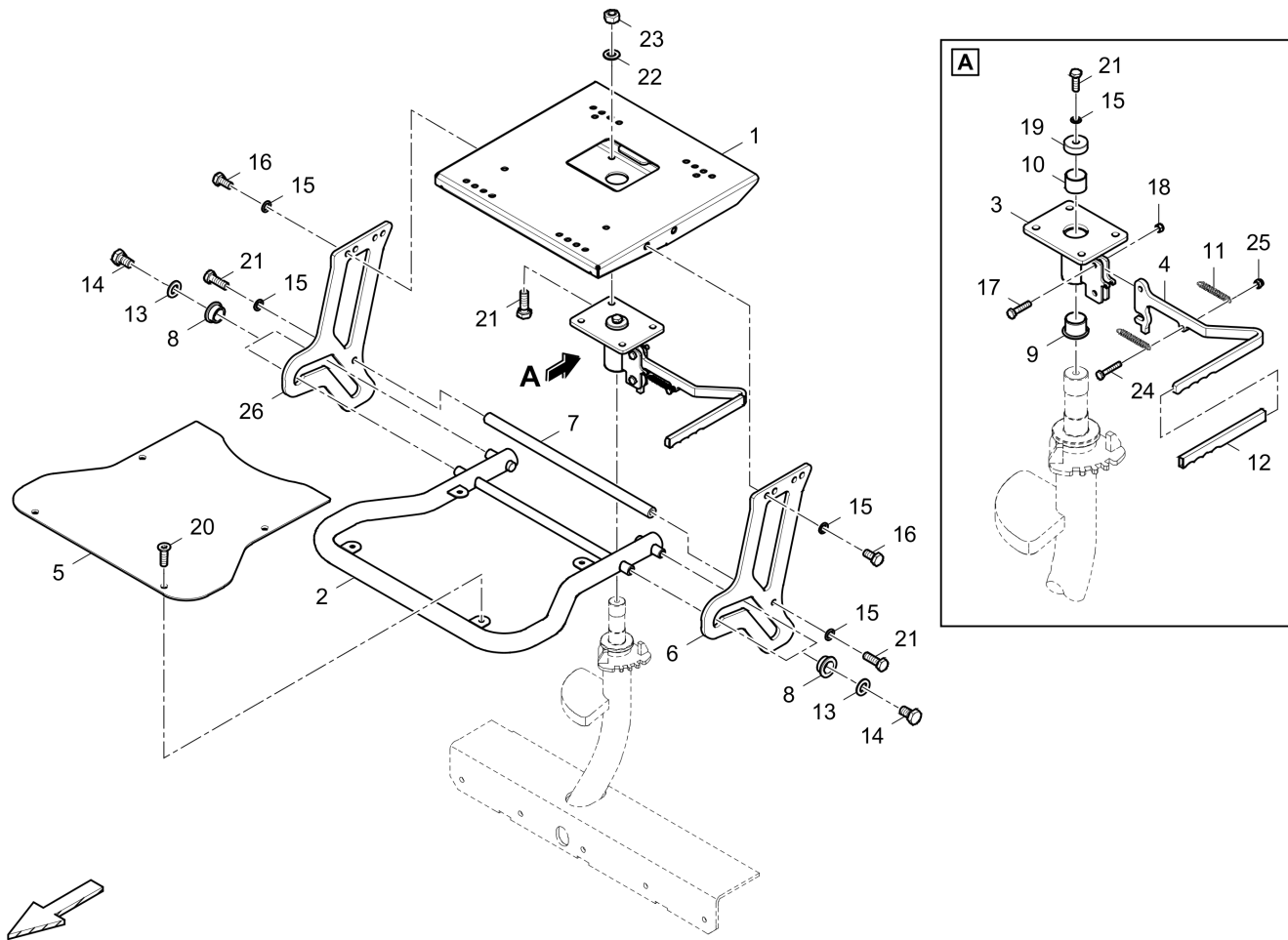
Item	Part No.	Name	Qty	L	C	SN INFO
1	4812017444	Platform	1			
2	4812014735	Guide rail	1			
3	4812017332	Linear bearing	2			
4	0211132303	Hex. socket screw	19			

4812017444 Platform 4812225523 Crash protection, l.h.

Item	Part No.	Name	Qty	L	C	SN INFO
1	4812225509	Crash protection, l.h.	1			
2	0147132503	Hex. Head screw M8 x 25	3			
3	D939505038	Washer	3			
4	0147133003	Screw	2			
5	0291118802	Hexagon nut	2			
6	0301233500	Plain washer	2			

Refer to Parts Online for the most up to date information. The printed information might be outdated.

Wed Oct 07 05:09:29 UTC 2020

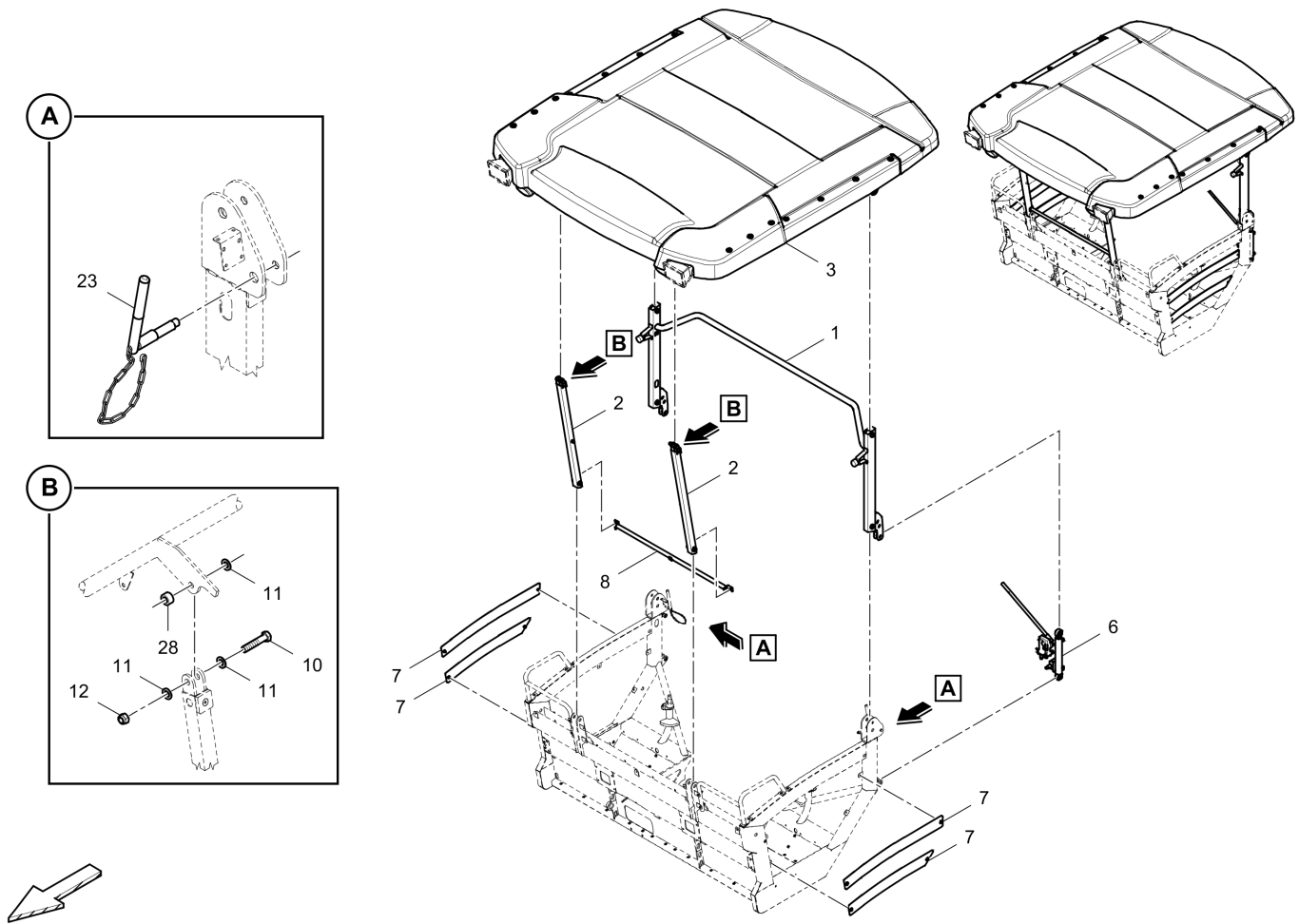
4812017477 Platform V5.1, movable, roof 4812007102 Fold away step l.h.

Item	Part No.	Name	Qty	L	C	SN INFO
1	4812007060	Seat retainer	1			
2	4812007073	Fold away step	1			
3	4812007064	Turning unit	1			
4	4812007089	Handle	1			
5	4812007096	Footplate	1			
6	4812007092	Carrier	2			
7	4812007100	Shaft	1			
8	4812005908	Bushing	4			
9	4812007108	Bushing	1			
10	4812007107	Bushing	1			
11	4812039416	Spring	2			
12	4812227727	Shrinkdown tubing X m	190			
13	0301235800	Plain washer	4			
14	0147139803	Hex. head screw	4			
15	0333310024	Washer	7			
16	0147136003	Screw cap	4			

Refer to Parts Online for the most up to date information. The printed information might be outdated.

Wed Oct 07 05:09:34 UTC 2020

4812226122 Roof 4812226122 Roof



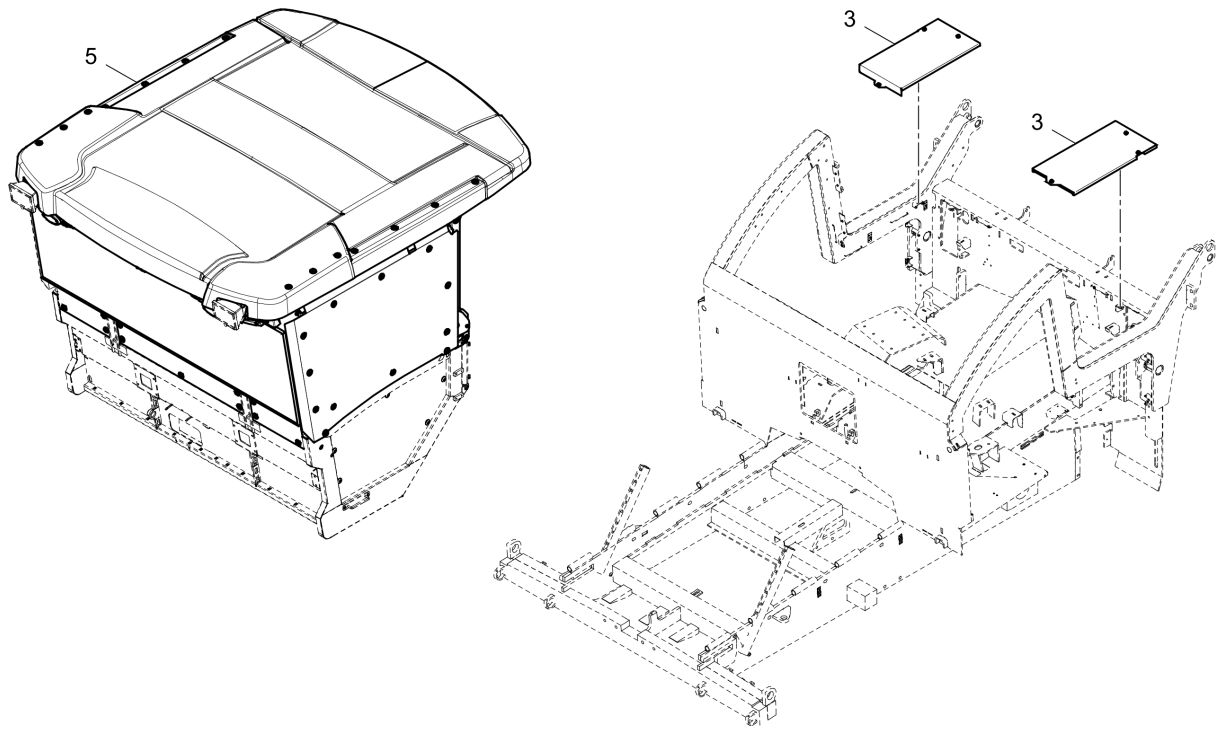
Item	Part No.	Name	Qty	L	C	SN INFO
1	4812225528	Roof frame rear	1			
2	4812225474	Roof frame front	1			
3	4812225624	GRP - roof frame	1			
6	4812227773	Roof hydraulic	1			
7	4812005850	Crash protection	1			
8	4812226856	Crash protection front	1			
10	0147148503	Hex bolt	2			
11	0301237800	Plain washer(A) 17 x 30 x 3	6			
12	5730007656	Hexagon nut	2			
23	4812229224	Locking	2			
28	4812227774	Bushing	2			

Refer to Parts Online for the most up to date information. The printed information might be outdated.

Wed Oct 07 05:09:42 UTC 2020

Referenced Pages

4812033247 Control block 77



Item	Part No.	Name	Qty	L	C	SN INFO
1	4812017298	Platform	1			
3	4812009765A	Cover	1			
4	4812008979	Guide platform	1			
5	4812009800	Weather protection house, cpl.	1			
9	4812027610	Hydraulic, operation platform	1			
10	4812017300	Operator board	1			
11	4812009877	Cover	1			
13	4812007101	Fold away step r.h.	1			
14	4812007102	Fold away step l.h.	1			

Refer to Parts Online for the most up to date information. The printed information might be outdated.

Wed Oct 07 05:09:56 UTC 2020

Item	Part No.	Name	Qty	L	C	SN INFO
21	4812014999	Stop bolt holder	1			
22	4812005682	Handle	1			
23	0211124703	Hex sock. screw	4			
24	0147124603	Screw	2			
25	4812229165	Wiper system	1			
26	4812229172	Mounting bracket	1			
27	4812229175	Outer bracket	1			
28	4812229169	Cover plate	1			
29	0147120703	Screw	3			
30	0147132203	Hexagon head screw	9			
31	0301231800	Flat washer	3			
32	0301233500	Plain washer	9			
33	4812012461	EI - wiper	1			
33.1	4812229160	Wiper motor	1			
33.2	D977730412	Micro relay	2			
33.3	D977454254	Fuse	1			
34	4812009050	Glue kit	1			

Referenced Pages

4812227773 Roof hydraulic	209
4812043525 Hydr. roof adjustment	210

Referenced Pages

4812226122 Roof	202
4812225528 Roof frame rear	203
4812225474 Roof frame front	204
4812225624 GRP - roof frame	205
4812005850 Crash protection	207
4812226856 Crash protection front	208

Referenced Pages

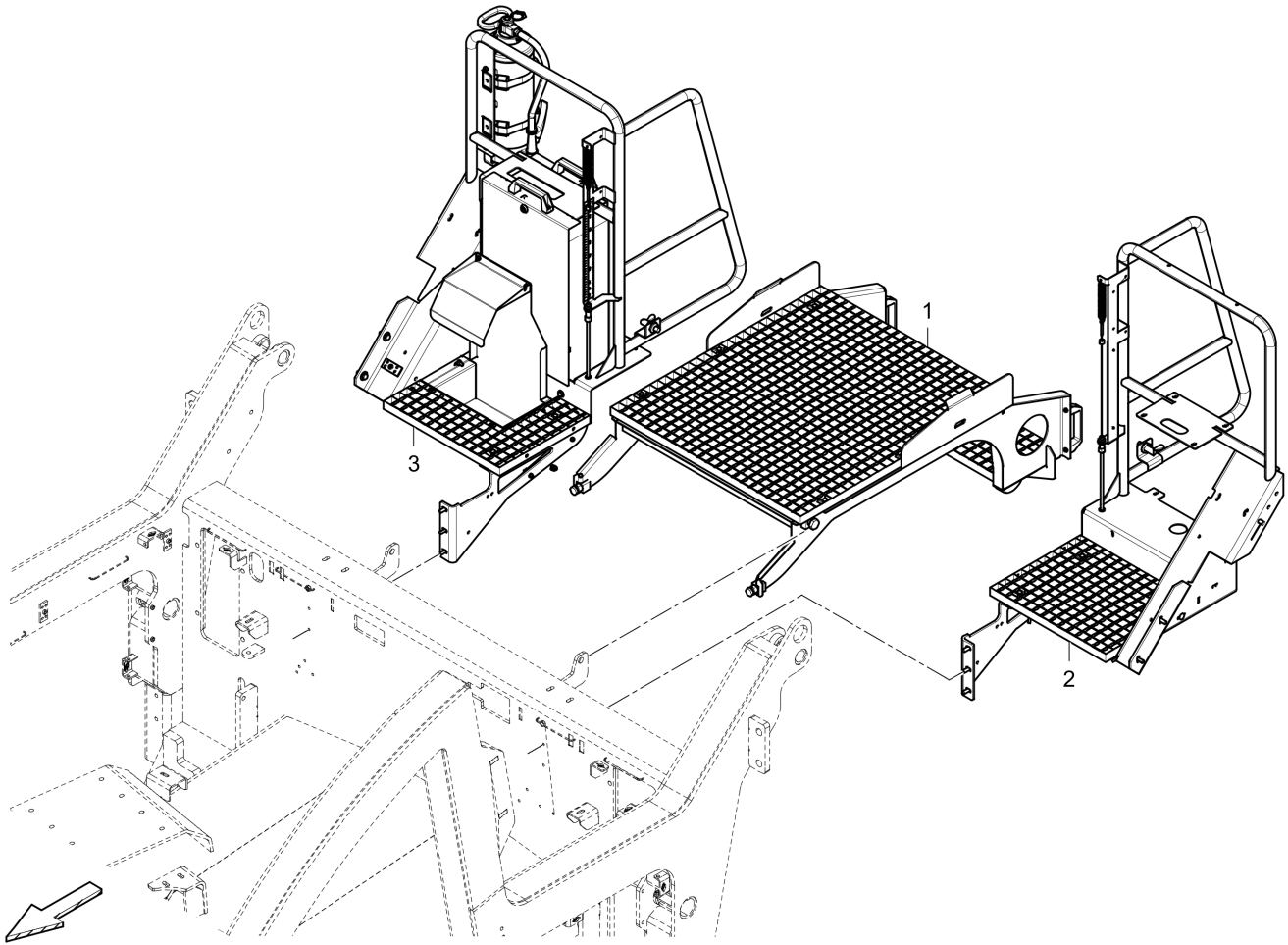
4812006436 Guide, back	200
4812047665 Security rail	201

Referenced Pages

4812008979 Guide platform	194
4812008980 Retainer	195

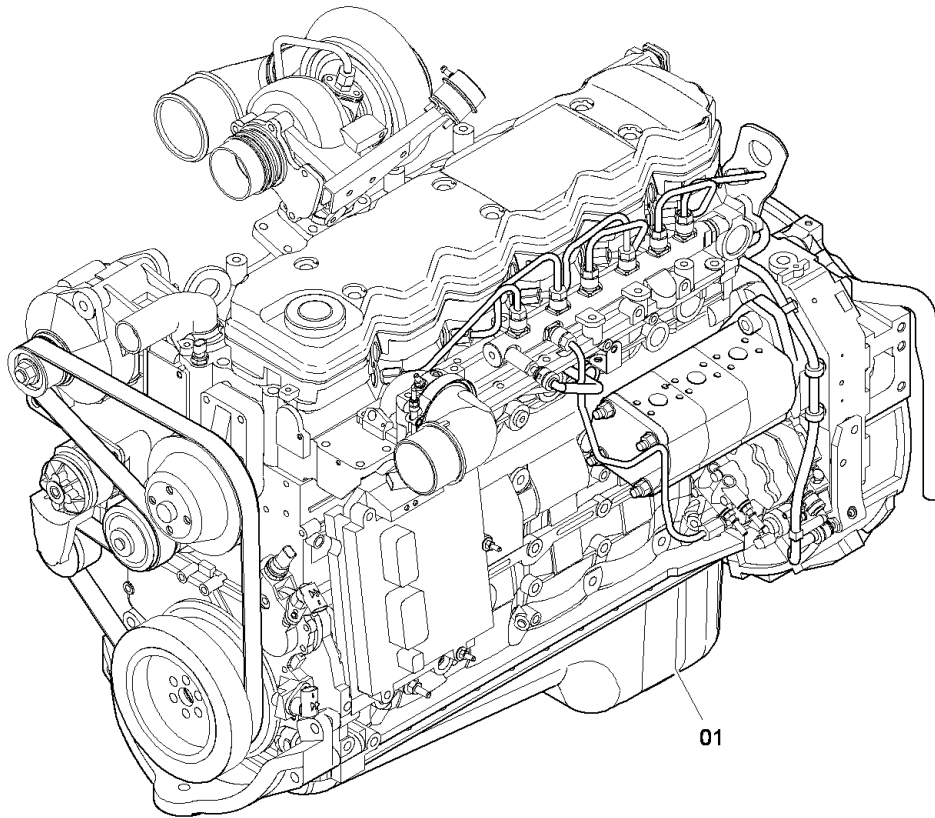
Referenced Pages

4812027610 Hydraulic, operation platform 211
4812033247 Control block 77

4812230390 Ascension f. Varioscreed Tier4 f, for s/n 0G001606, 1621, ff 4812230390 Ascent


Item	Part No.	Name	Qty	L	C	SN INFO
1	4812225923	Ascent, middle	1			
2	4812225926	Ascent, l.h.	1			
3	4812230307	Ascent r. h.	1			

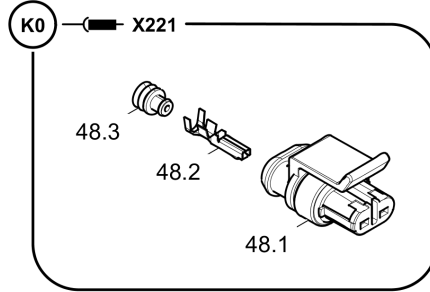
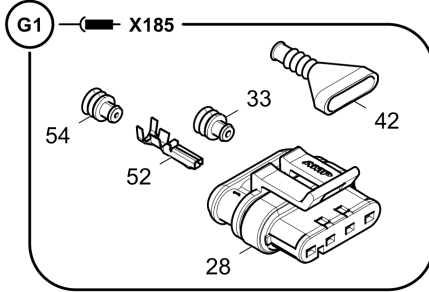
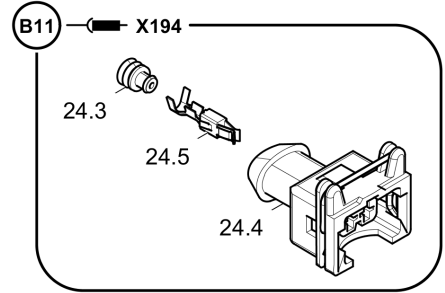
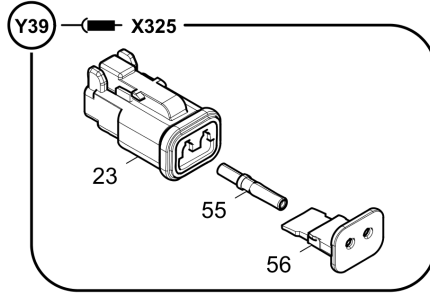
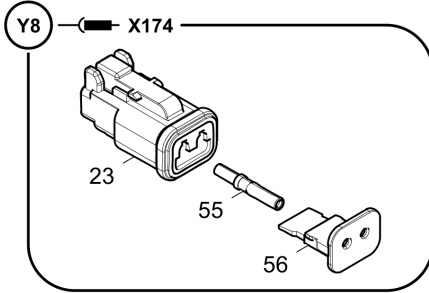
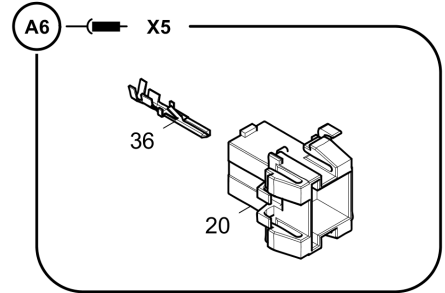
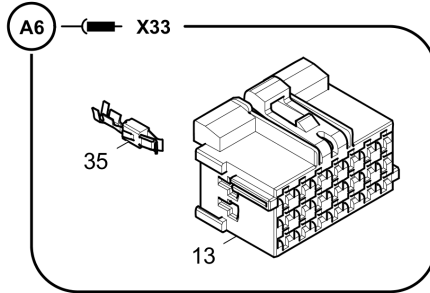
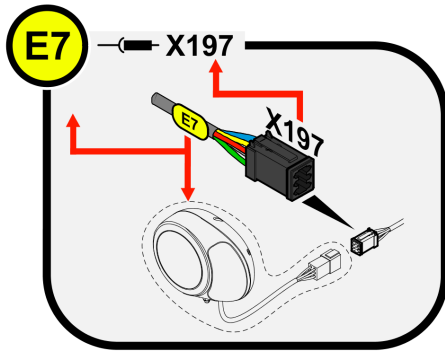
4812030251A Drive Stage IIIa / TIER 3 4812236356 Engine



Item	Part No.	Name	Qty	L	C	SN INFO
1	4812236356	Engine	1			

Refer to Parts Online for the most up to date information. The printed information might be outdated.

Wed Oct 07 05:10:32 UTC 2020

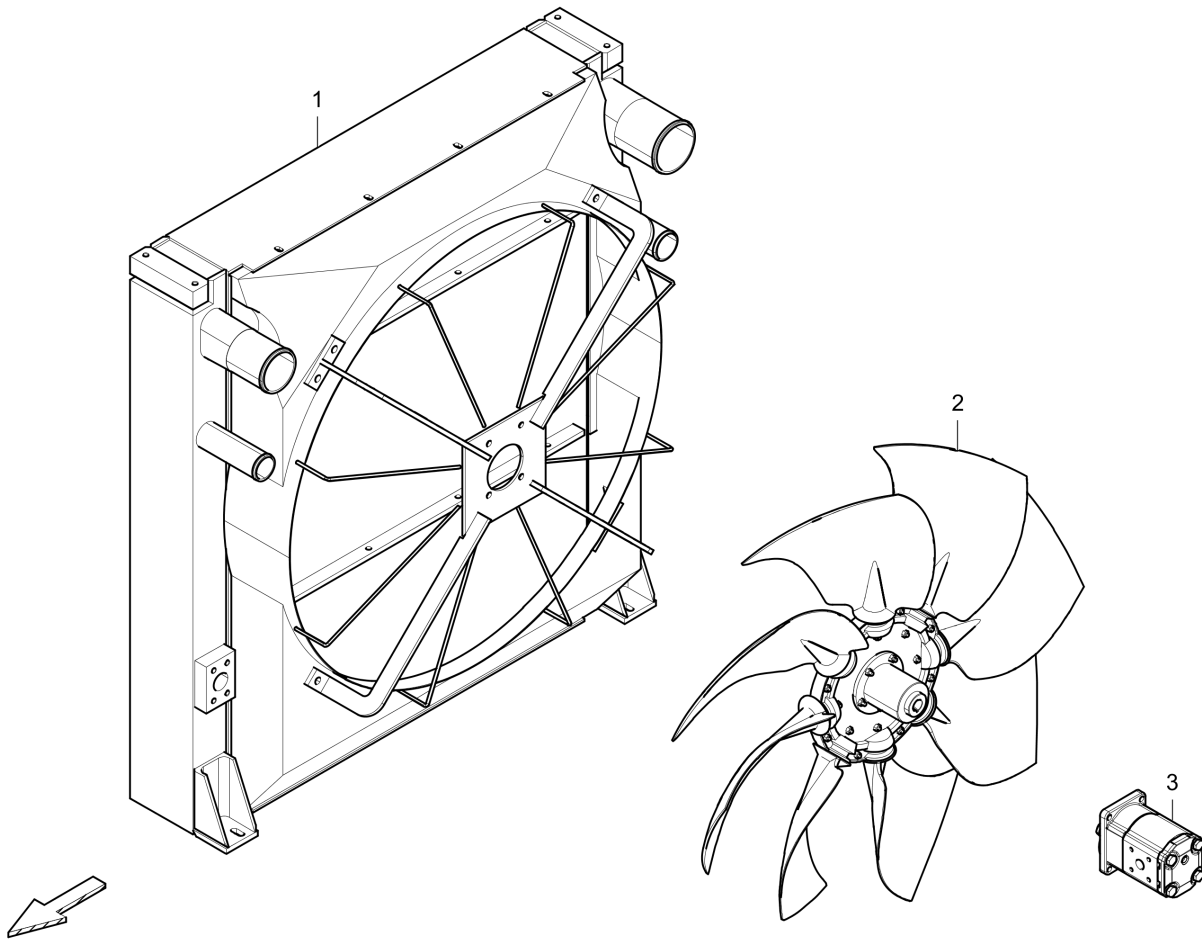


Item	Part No.	Name	Qty	L	C	SN INFO
1	D977466151	Insert	1			
3	4812029030	Valve plug	1			
5	D977466155	Connector housing	1			
6	4812075155	Resistor	2			
10	4812044888	Wire box	2			
11	D977477113	Receptacle housing	1			
12	4812029599	Power-timer housing	1			
13	4812029239	Power-timer housing	1			
20	4812029308	Socket	1			
23	D977466134	Socket shell	2			
24	D977331003	Timer housing	1			
24.3	D977478244	Single wire sealing	2			
24.4	D977331004	Timer housing	1			
24.5	D977397904	Junior-power-timer contact	2			
28	D977477124	Socket shell	1			
33	D977478232	Blind plug	3			
35	4812030987	Female contact	10			

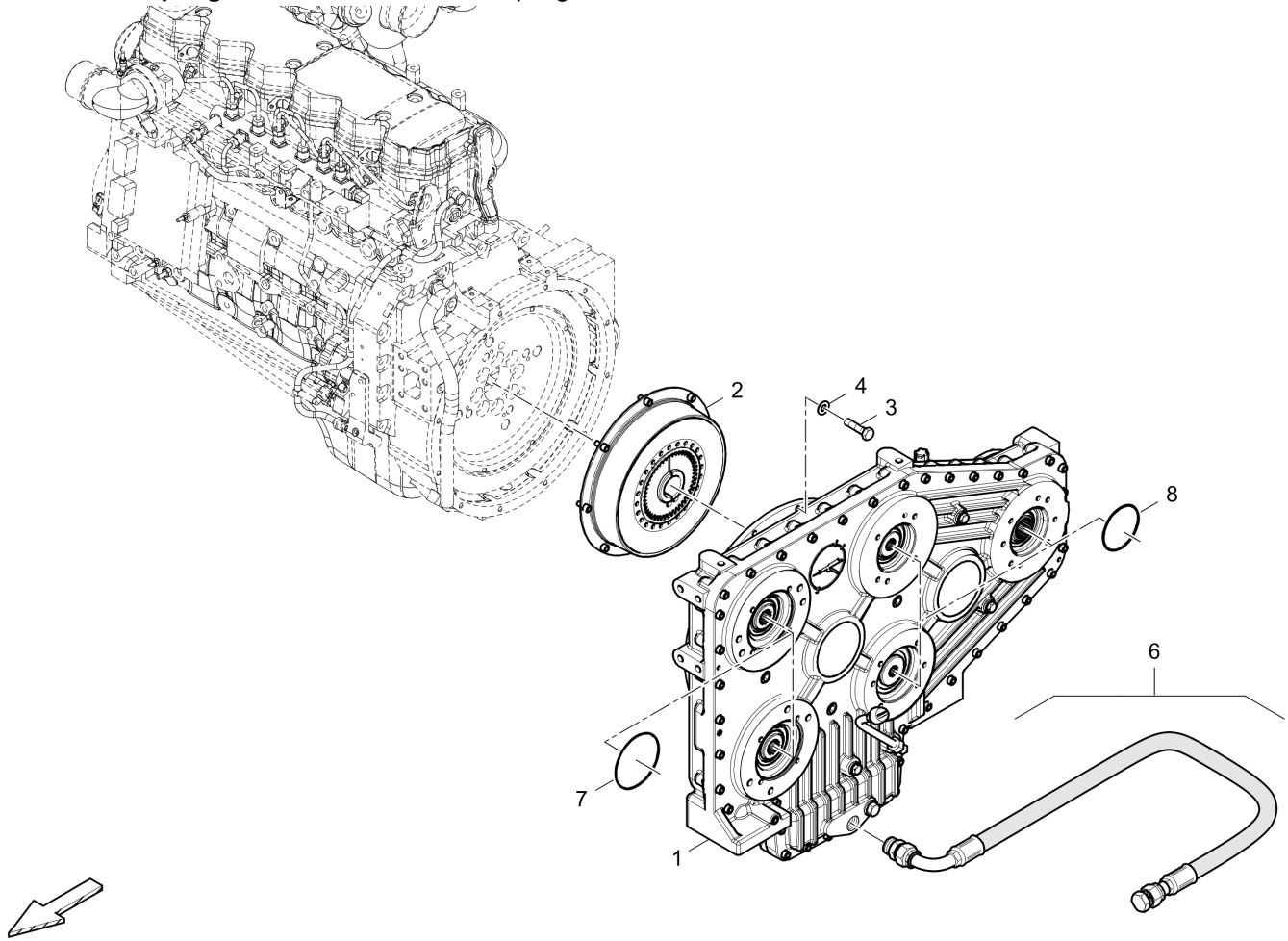
Refer to Parts Online for the most up to date information. The printed information might be outdated.

Wed Oct 07 05:10:38 UTC 2020

4812010984 Combined cooler 4812010984 Combined cooler

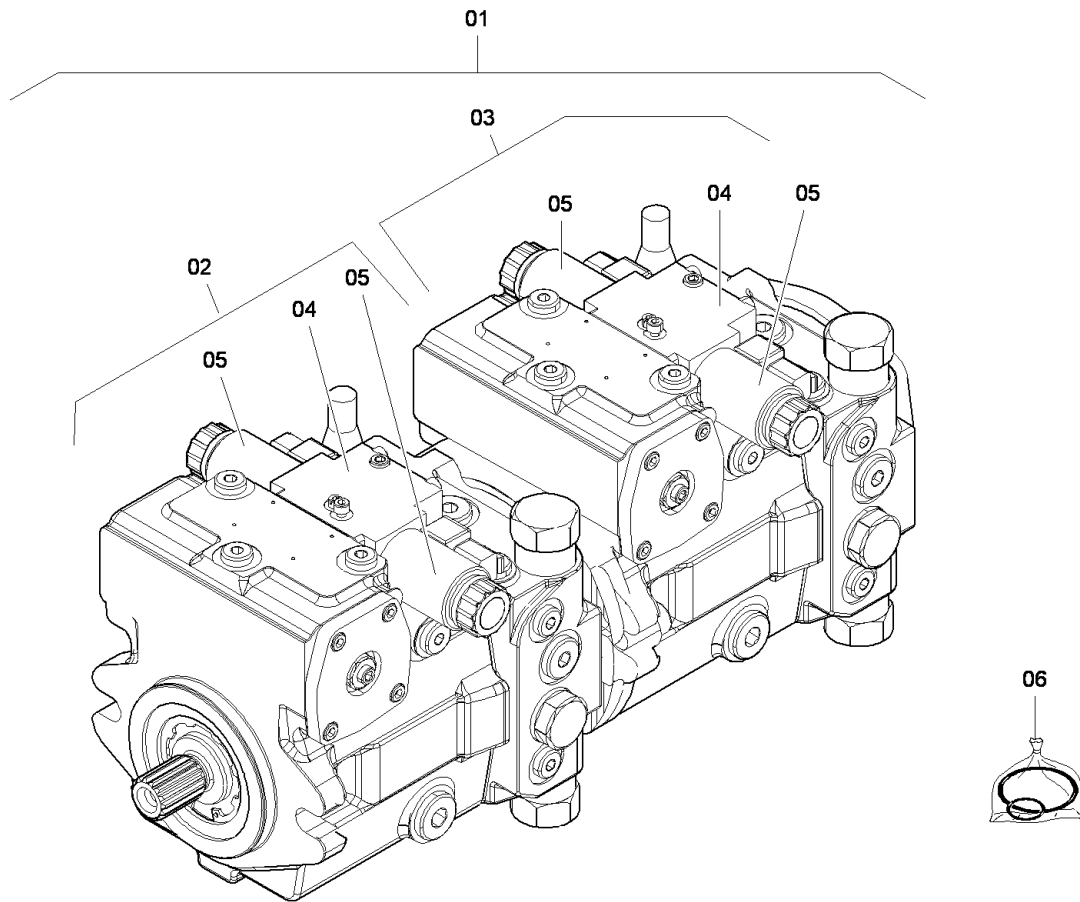


Item	Part No.	Name	Qty	L	C	SN INFO
1	4812008735	Combined cooler	1			
2	4812010976	Fan	1			
3	4812010473	Gear motor	1			

4812039759 Split gear 4812039759 Gr.08 Split gear

Item	Part No.	Name	Qty	L	C	SN INFO
1	4812038966	Split gear	1			
1	4812009405	Split gear	1			from sn 0G001274, 1417, 1419, 1422, ff.
2	4812009002	Engine clutch	1			
3	0147196264	Bolt	12			
4	0301234400	Plain washer	12			
6	4812037689	Gear oil drain	1			
7	4812031939	O-ring	2			
8	D932218258	O-ring	3			

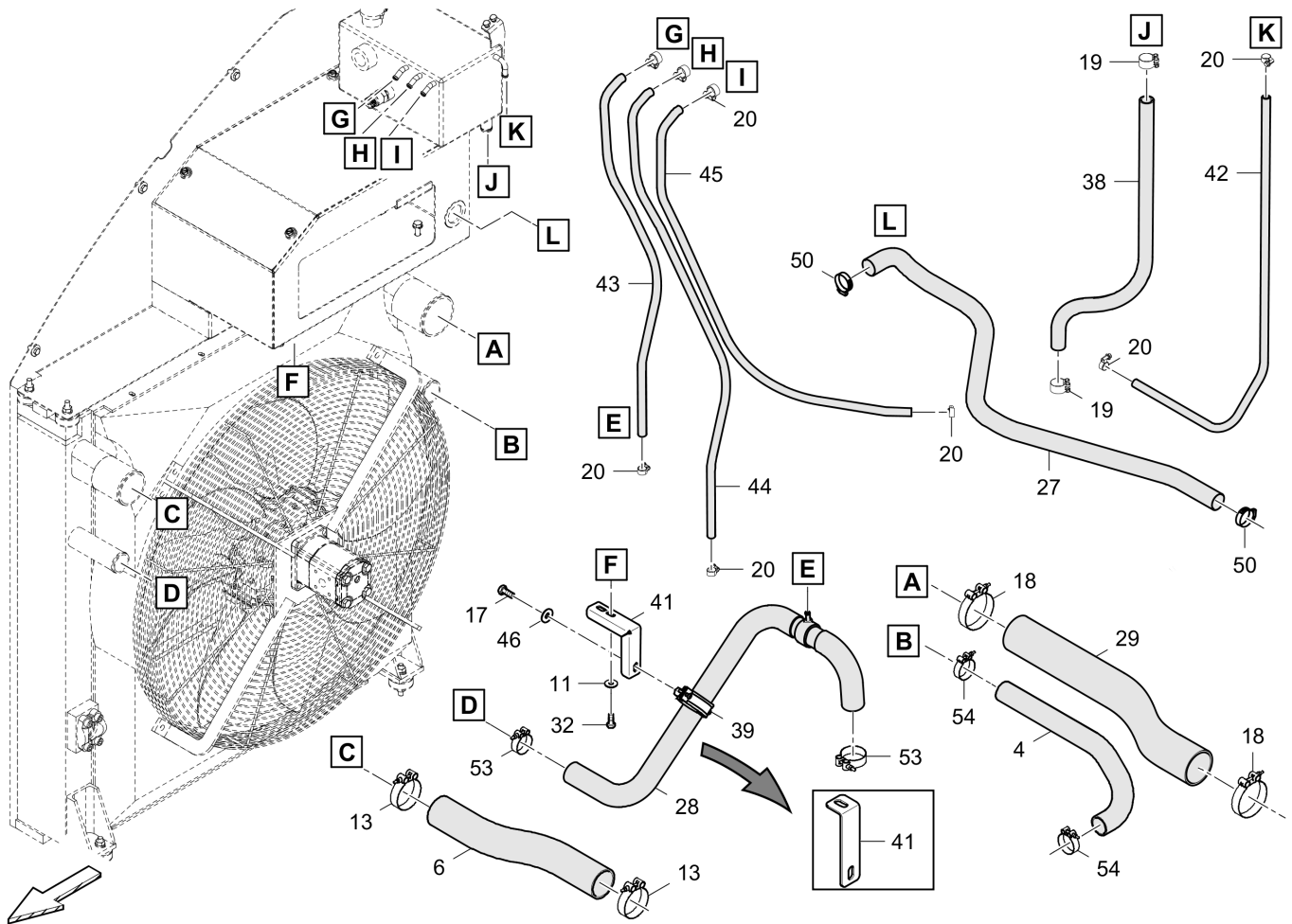
Split gear box 4812026128 Pump



Item	Part No.	Name	Qty	L	C	SN INFO
1	4812026128	Pump	1			
2	4812034309	Pump	1			
3	4812034310	Pump	1			
4	4812002474	Control module	2			
5	D967610541	Proportional solenoid	4			
6	D967536855	Seal kit	2			

Refer to Parts Online for the most up to date information. The printed information might be outdated.

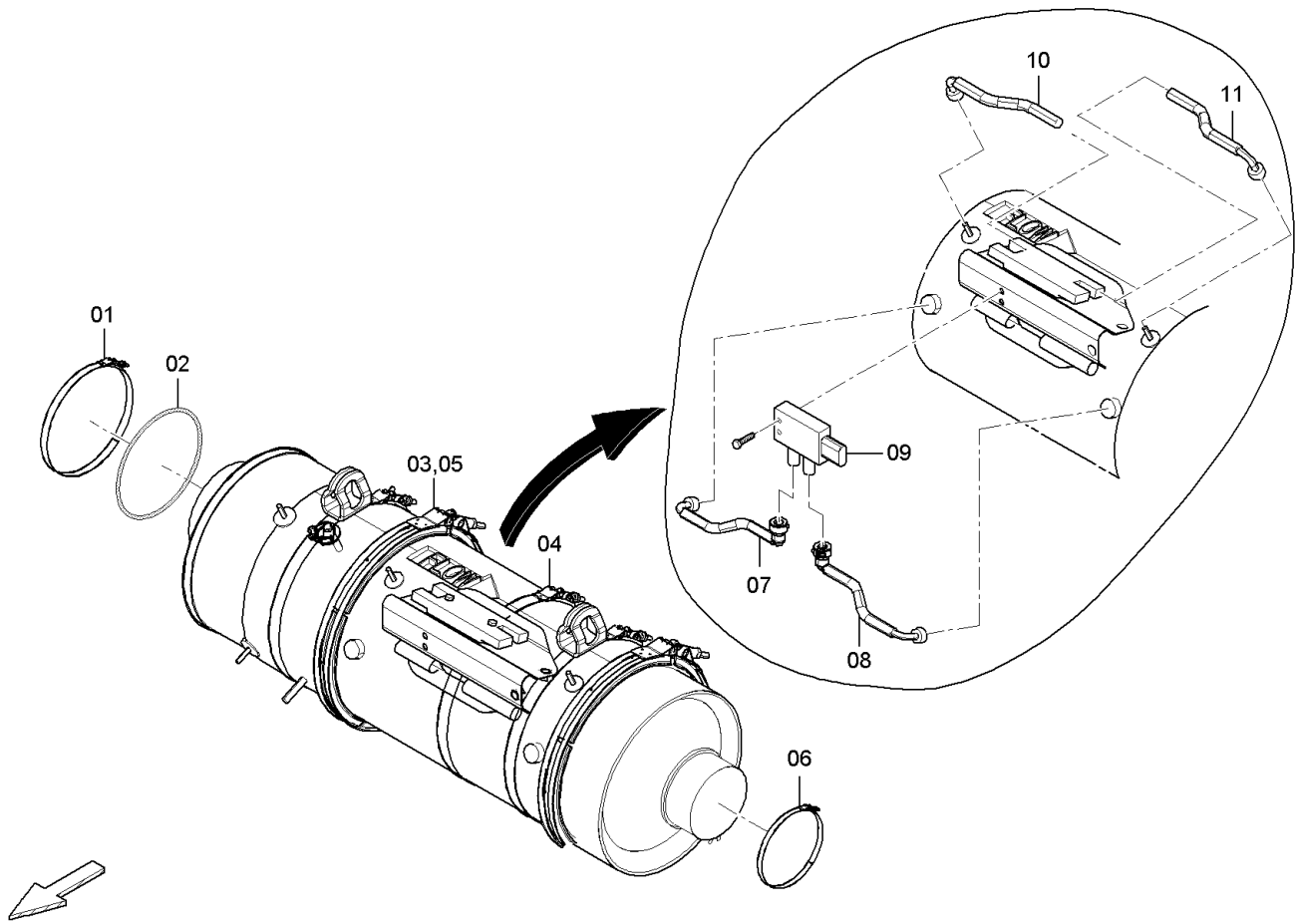
Wed Oct 07 05:10:58 UTC 2020



Refer to Parts Online for the most up to date information. The printed information might be outdated.

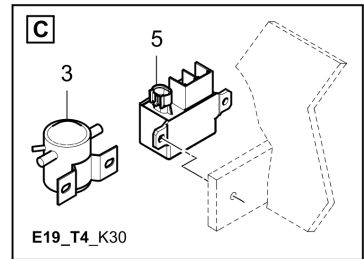
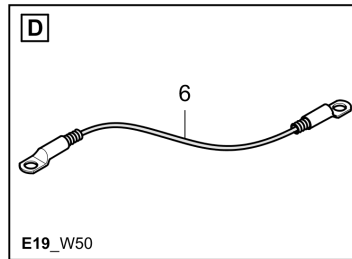
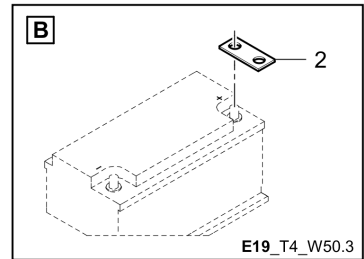
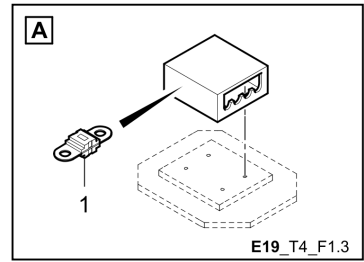
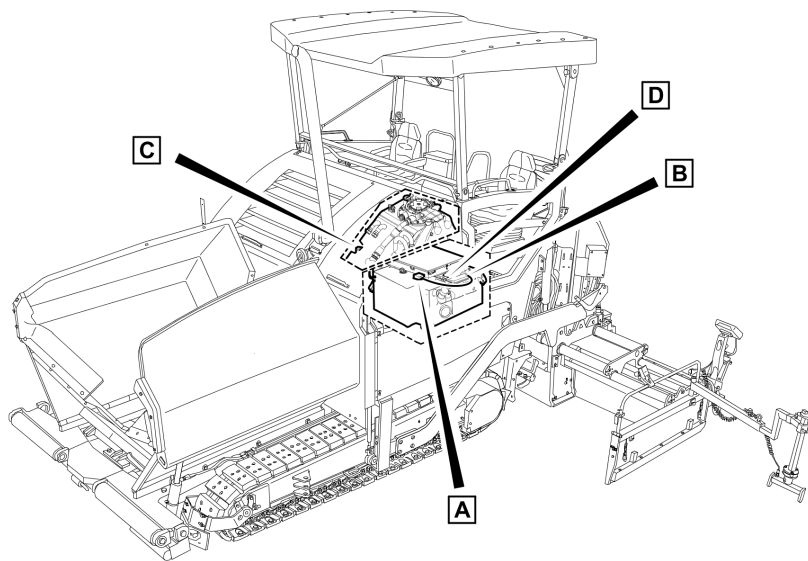
Wed Oct 07 05:11:07 UTC 2020

4812030356 Muffler 4812041871 Particle filter



Item	Part No.	Name	Qty	L	C	SN INFO
1	4812005728	Clamp	1			
2	4812005738	Sealing	1			
3	4812005727	Clamp	2			
4	4812005742	Clamp	3			
5	4812005739	Sealing	2			
6	4812005743	Clamp	1			
7	4812005745	Pipe	1			
8	4812005746	Pipe	1			
9	4812005744	Pressure sensor	1			
10	4812005740	Temperature sensor	1			
11	4812005741	Temperature sensor	2			

4812046340 Electric / heating 4812046340 Electric / heating



Item	Part No.	Name	Qty	L	C	SN INFO
1	4812046349	Fuse	1			
2	D977459519	Bridge, 2-fold				
3	D977730257	Relais				
5	4700792310	Relay 120A	1	A		
6	4812009670	Cable W50	1			

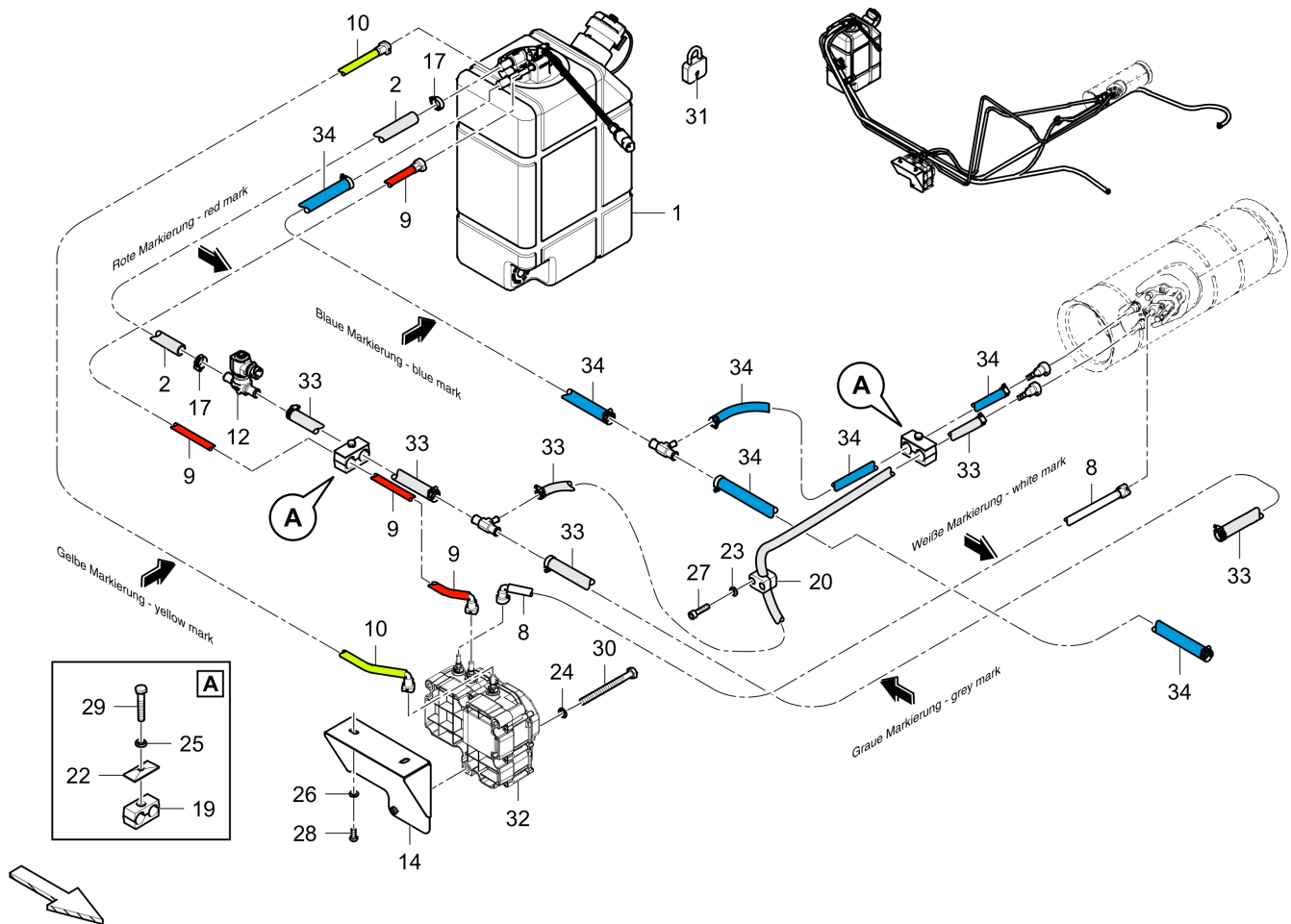
Comments for Page: 4812046340 Electric / heating

(L)OCAL REMARKS

A | en_US | ab/from 0G001282

A | de_DE | ab/from 0G001282

4812006332 Drive Stage IV / Tier 4f (2016) 4812201254 DEF system

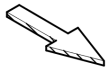
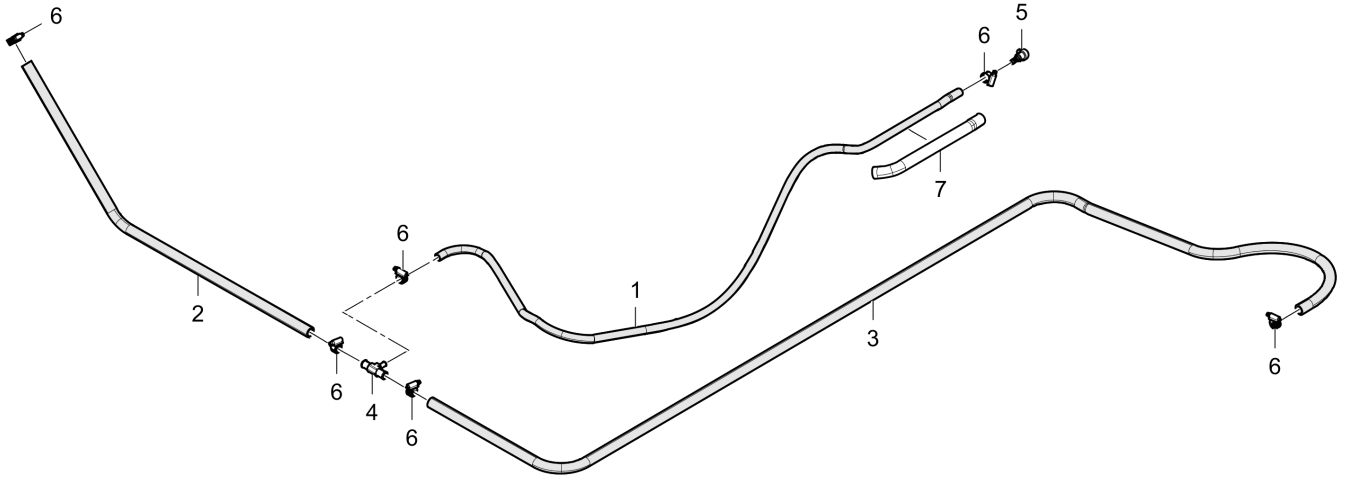


Item	Part No.	Name	Qty	L	C	SN INFO
1	4812201236	Tank	1			Valid from s/n G003056, ff and after conversion to new tank with conversion kit 4812073327!
2	4812201255	Cooler hose	1			Valid from s/n G003056, ff
8	4812216697	Pressure line	1			
9	4812216698	Return hose	1			
10	4812216699	Suction hose	1			
12	4812009118	Valve	1			
14	4812009510	Retainer	1			
17	D934400040	Clamp	2			
19	4749300511	Clamp	4			
20	D934361018	Clamp	1			
22	4749300384	Cover plate	4			
23	0301232100	Plain washer	2			
24	0333310036	Schnorr-lock washer	3			
25	4749901806	Washer	4			
26	D939776113	Washer	2			

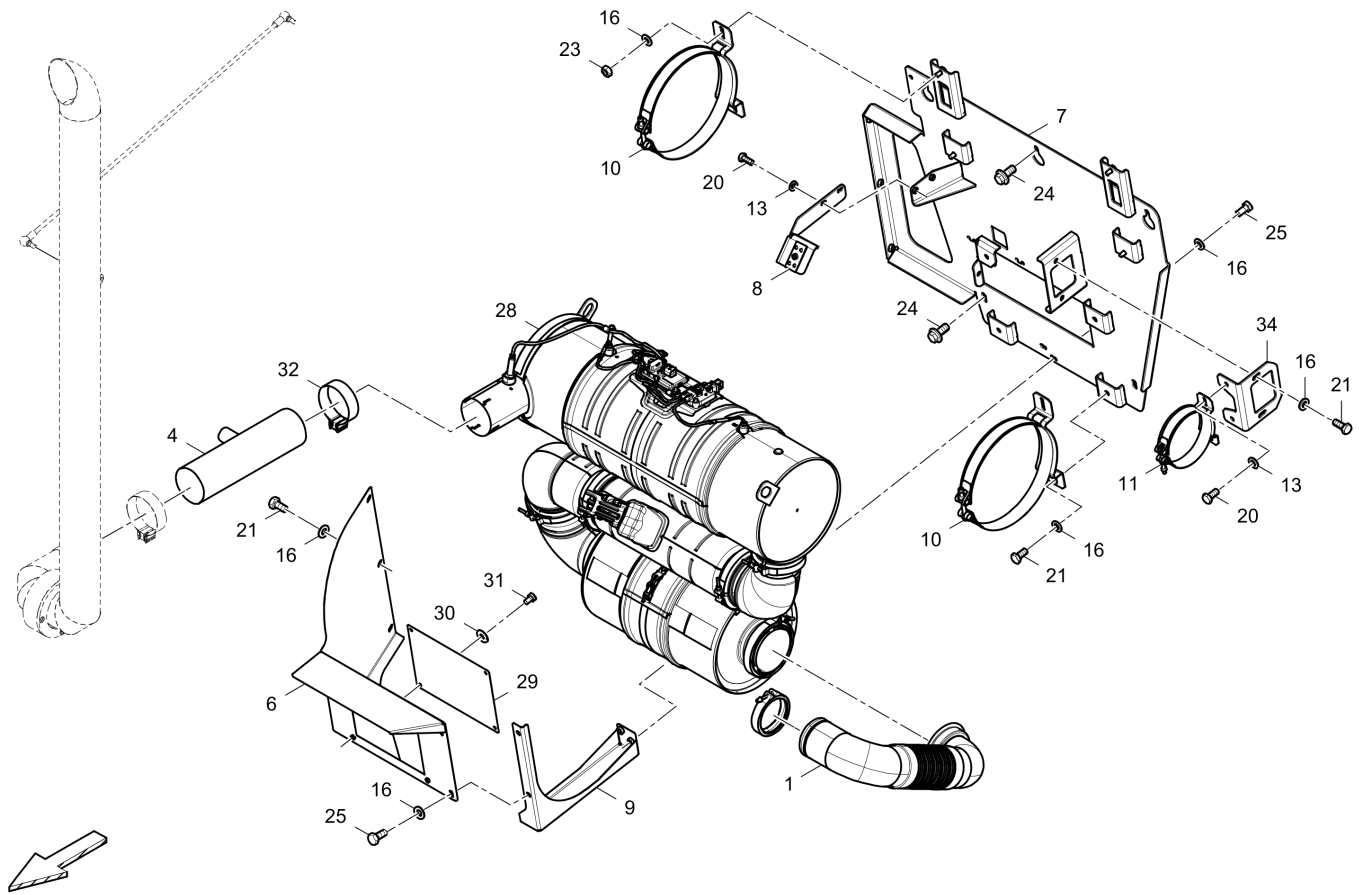
Refer to Parts Online for the most up to date information. The printed information might be outdated.

Wed Oct 07 05:11:29 UTC 2020

4812228134 DEF- System 4812231234 Cooler hose



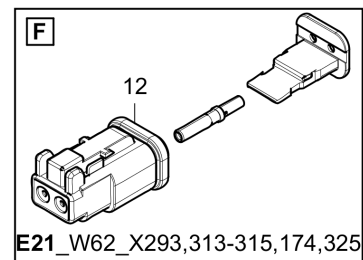
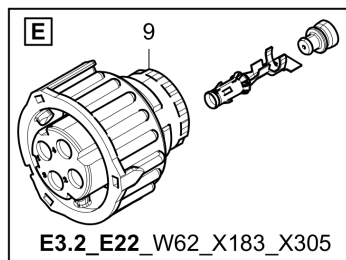
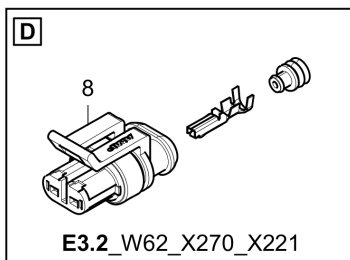
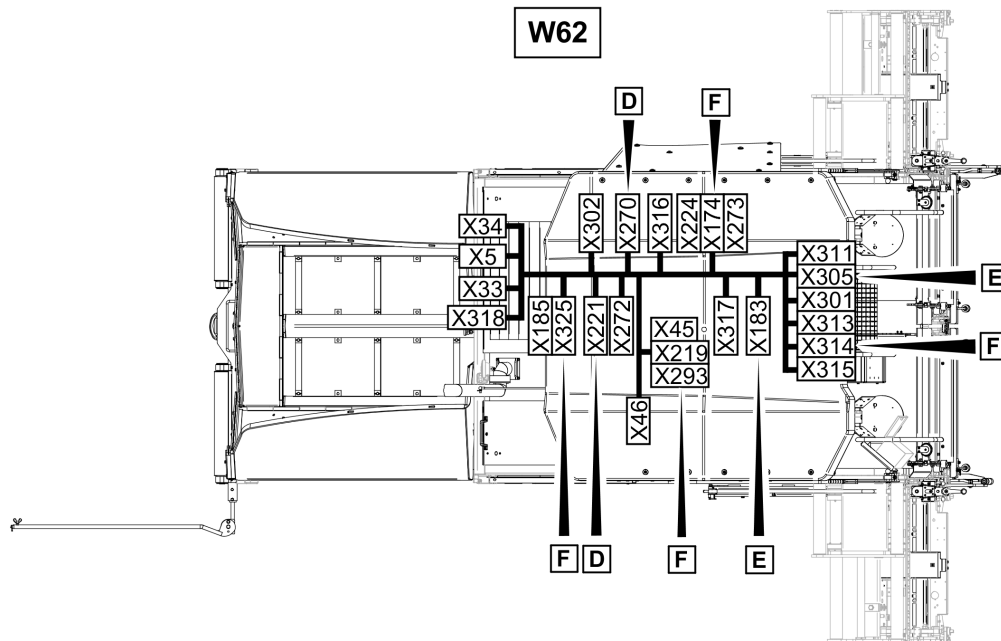
Item	Part No.	Name	Qty	L	C	SN INFO
1	4812228139	Hose	1			
2	4812228138	Hose	1			
3	4812009325	Hose	1			
4	4812008987	Fitting	1			
5	4812009484	Connector	1			
6	D934400040	Clamp	6			
7	4812228140	Guide pipe	1			

4812227713 Exhaust system 4812227713 Exhaust system

Item	Part No.	Name	Qty	L	C	SN INFO
1	4812011574	Connection pipe	1			
4	4812038648	Aspirator	1			
6	4812228160	Guide plate	1			
7	4812227714	Holding device	1			
8	4812227881	Retainer	1			
9	4812227718	Retainer	1			
10	4812217911	Clamp	4			
11	4812217916	Clamp	1			
13	0333310050	Lock washer	4			
16	0333310051	Lock washer	17			
20	0147132303	Hexagon bolt	4			
21	0147110868	Hexagon head screw	9			
23	0266211100	Nut hexagon	4			
24	0147300036	Screw	5			
25	0147136003	Screw cap	4			
28	4812012859	Aftertreatment kit	1			

Refer to Parts Online for the most up to date information. The printed information might be outdated.

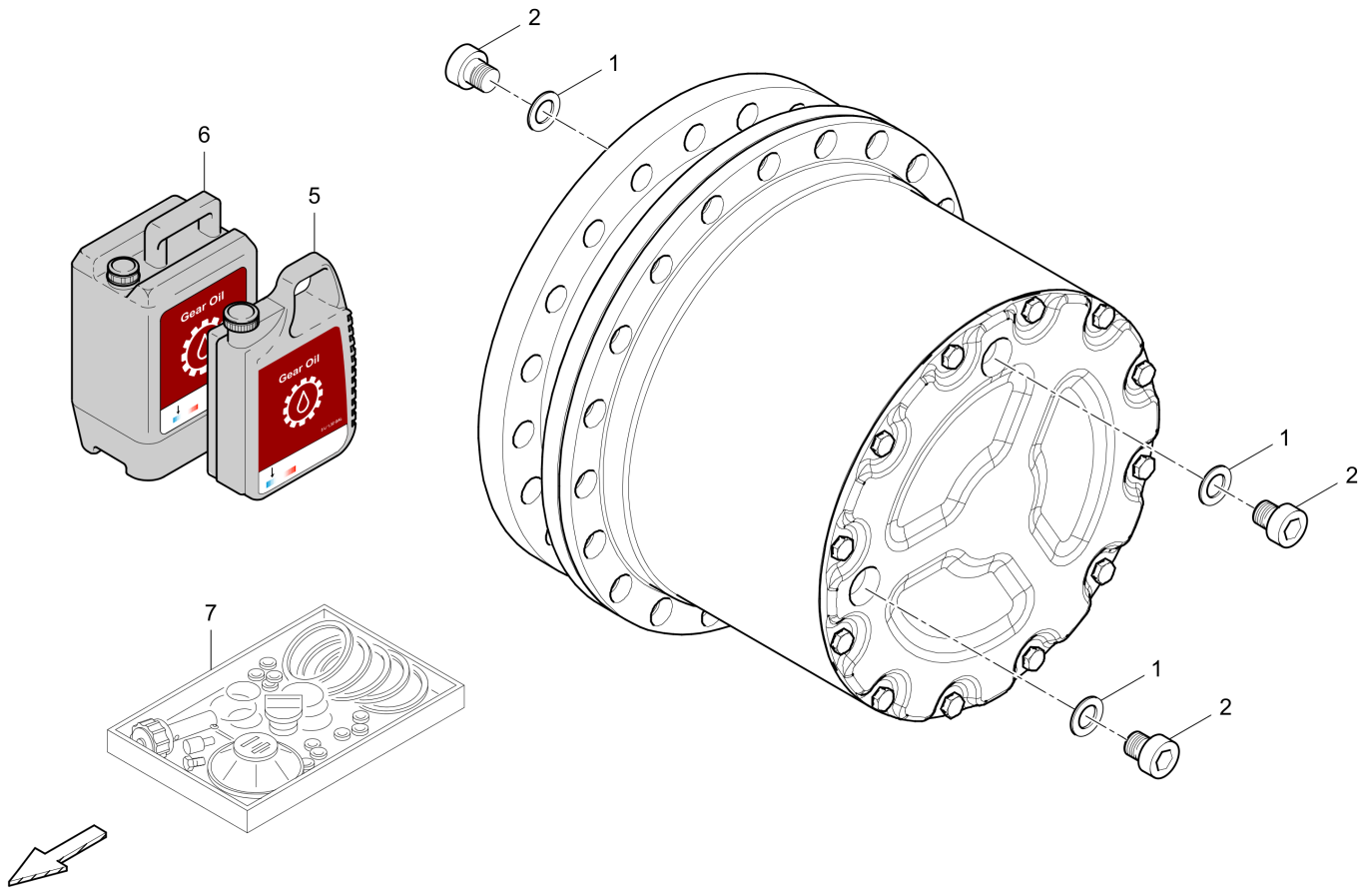
Wed Oct 07 05:11:43 UTC 2020



Referenced Pages

4812039759 Gr.08 Split gear	312
4812038966 Split gear	313
4812009405 Split gear	315
4812009002 Engine clutch	317
4812037689 Gear oil drain	318

4812027194 Drive gear box 4812035017 Drive gear box

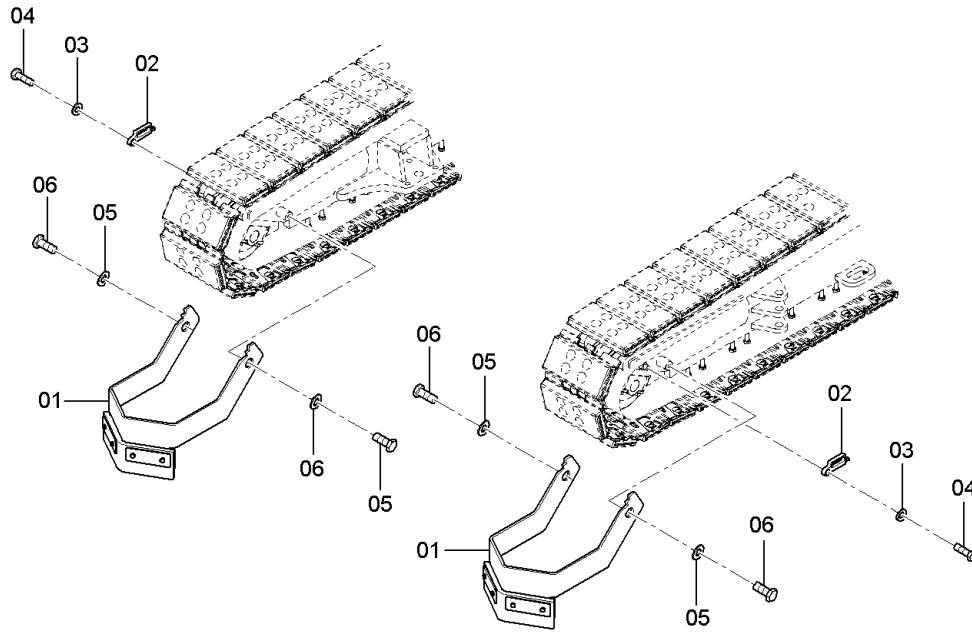


Item	Part No.	Name	Qty	L	C	SN INFO
1	4812039625	Seal ring	5			
2	4812039624	Plug screw	5			
5	4812161875	Dynapac Gear oil 100, 5 ltr.	1			
6	4812161876	Dynapac Gear oil 100, 20 ltr.				
7	4812075142	sealing kit	1			
7.1	4812075145	support ring	2			
7.2	4812075143	o-ring	1			
7.3	4812075144	o-ring	1			
7.4	4812075146	support ring	2			
7.5	4812075147	plug	1			

Refer to Parts Online for the most up to date information. The printed information might be outdated.

Wed Oct 07 05:12:05 UTC 2020

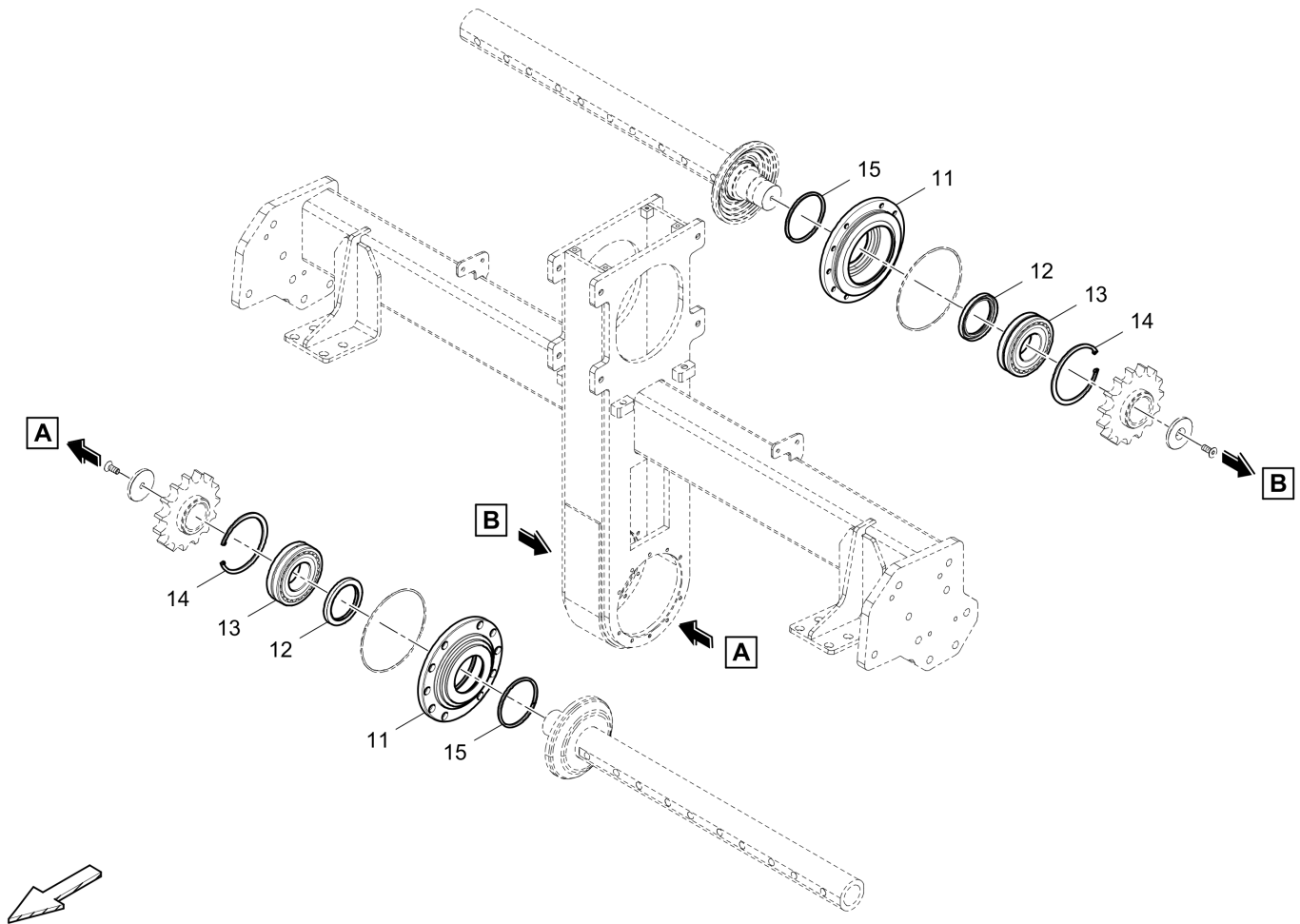
4812043329 Track cleaner, cpl. 4812043329 Track cleaner, cpl.



Item	Part No.	Name	Qty	L	C	SN INFO
1	4812043340	Track cleaner	1			
2	4812043349	Locking laver	1			
3	0300013038	Flat washer	2			
4	0147136203	Hex.bolt M10x25	2			
5	D939570522	Washer	4			
6	0147147403	Screw	4			

Item	Part No.	Name	Qty	L	C	SN INFO
15	4812161897	Paver Grease / 1 cartridge	1			
15	4812161898	Dynapac Paver Grease / 12 cartridges	1			
16	D952805010	Seal ring	1			

Item	Part No.	Name	Qty	L	C	SN INFO
17	0211120503	Hex socket screw	1			
18	4812014167	Sealant	0,01			
19	4812024882	Distance sleeve	1			
20	D939476170	Countersunk screw	1			
21	5730015118	Hexagon nut	1			



Item	Part No.	Name	Qty	L	C	SN INFO
1	4812016497	Auger support	1			
1.1	4812017835	Kit, main auger bearing	1			
7	4812030443	Sprocket	1			
8	4812026723	Cover	1			
9	0216195762	Countersunk screw	1			
10	D932315443	O-ring	1			
11	4812016686	Bearing flange	1			
12	4812016722	Radial shaft seal	1			
13	4812030667	Bearing	1			
14	D936034092	Circlip	1			
15	4812016499	Seal	1			

Refer to Parts Online for the most up to date information. The printed information might be outdated.

Wed Oct 07 05:12:35 UTC 2020

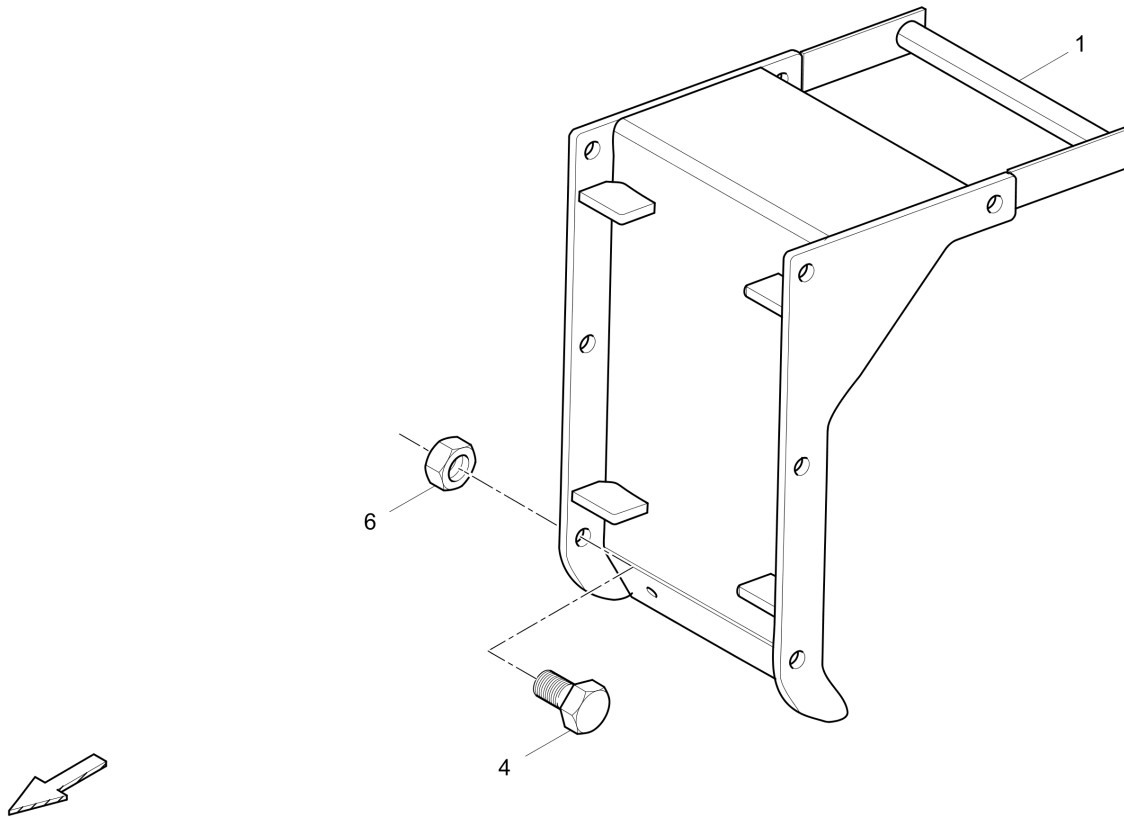
CLICK HERE TO **DOWNLOAD** THE COMPLETE MANUAL

- Thank you very much for reading the preview of the manual.
- You can download the complete manual from: www.heydownloads.com by clicking the link below



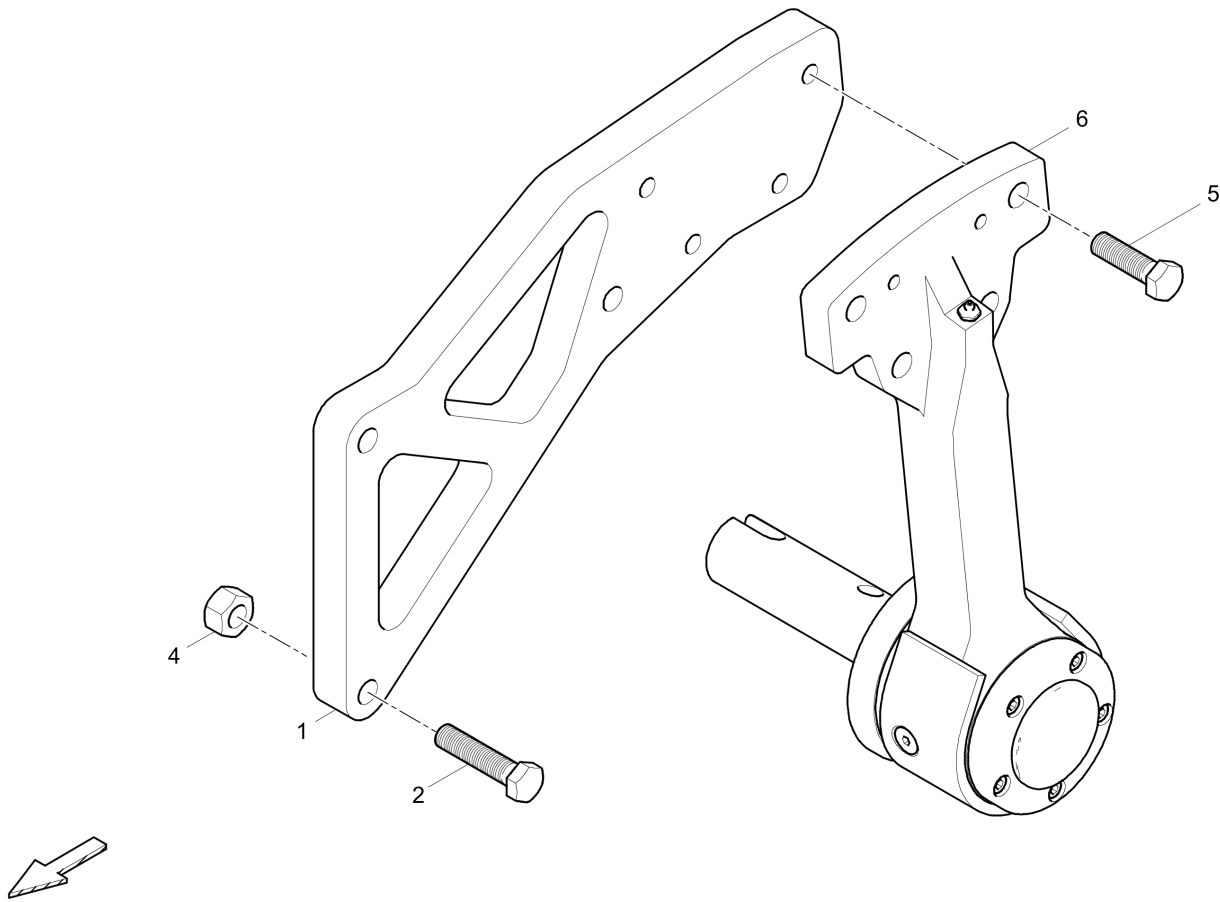
- Please note: If there is no response to CLICKING the link, please download this PDF first and then click on it.

CLICK HERE TO **DOWNLOAD** THE COMPLETE MANUAL

4812031954 Auger Ø500mm, 3,14m 4812028794 Material tunnel, cpl. L:320mm

Item	Part No.	Name	Qty	L	C	SN INFO
1	4812027079	Material tunnel	1			
4	0147147803	Hexagon bolt	4			
6	5730007616	Hexagon nut	4			

4812032289 End support, plate 4812032289 End support, plate



Item	Part No.	Name	Qty	L	C	SN INFO
1	4812031024	Intermediate plate	1			
2	0147148303	Screw cap	3			
4	0266211400	Hexagon nut M16	3			
5	0147148012	Screw	4			
6	D439082200	Screw conveyor, end bearing	1			

	Referenced Pages	
4812032289 End support, plate		472
D439082200 End support		473
	Referenced Pages	
4812032174 Auger extension, l.h. 320 mm		461
4812028794 Material tunnel, cpl. L:320mm		462
4812032175 Auger extension, r.h. 320 mm		463
4812028792 Material tunnel, cpl. L:640mm		469
4812032172 Auger extension, l.h. 640mm		470
4812032173 Auger extension, r.h. 640mm		471
4812032803 Protection cover L:640mm		475
4812032804 Protection cover L:320 mm		464

Referenced Pages

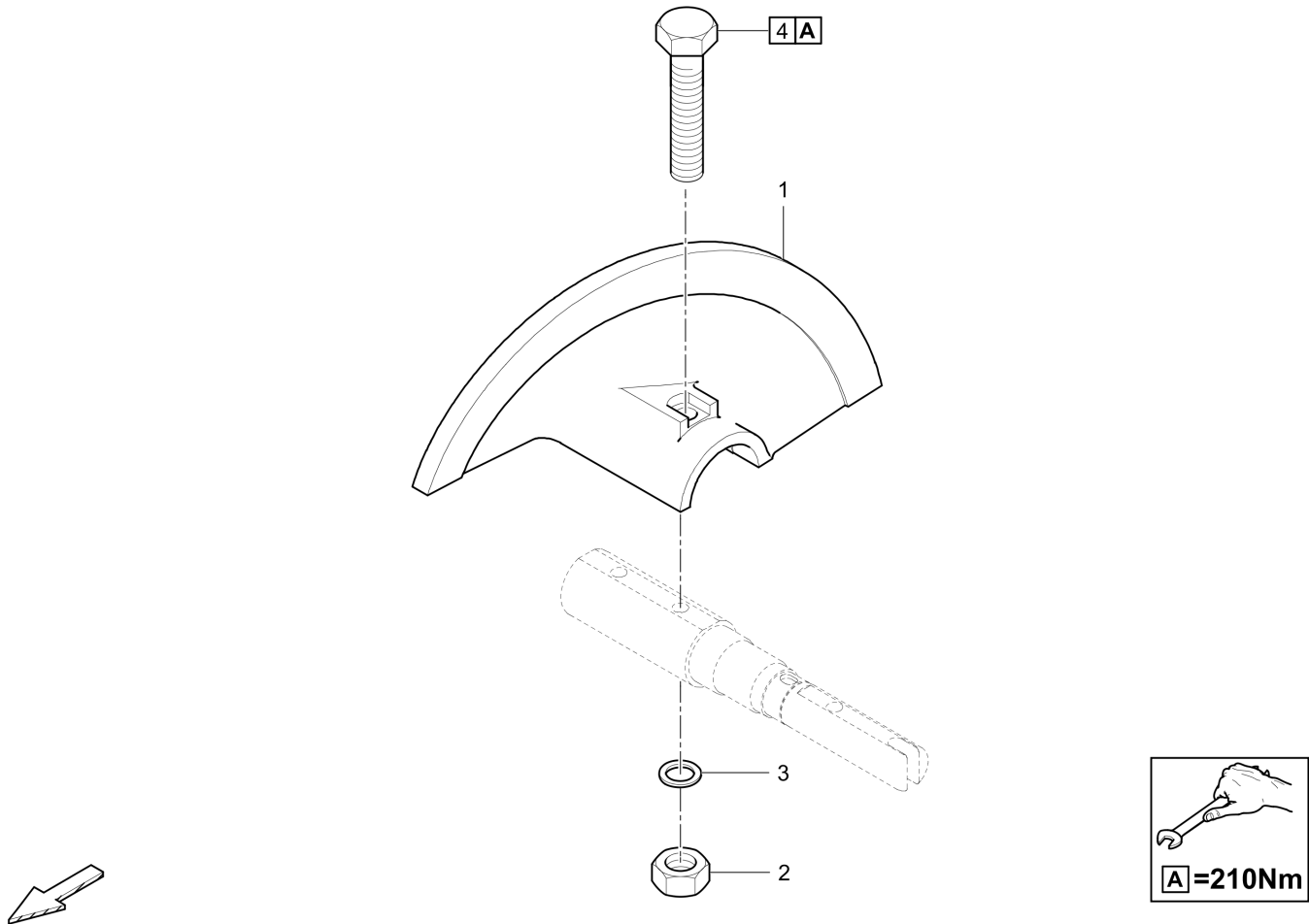
4812032174 Auger extension, l.h. 320 mm	461
4812028794 Material tunnel, cpl. L:320mm	462
4812032175 Auger extension, r.h. 320 mm	463
4812032804 Protection cover L:320 mm	464

Referenced Pages

4812232996 Auger box	447
4812026736 Outer support	449
4812016497 Auger support	451

Referenced Pages

4812233023 Auger, basic width 500	446
4812232097 Mounting parts	453
4812027736 Wear part kit auger wing Ø500mm	3
4812075191 Renewal kit I, auger drive	4
4812075192 Renewal kit II, auger drive	5
4812045075 Auger gear	454
4812032831 Protection cover	455

4812032408 Auger Ø500mm, 6,98m 4812032407 Auger wing Ø500mm, r.h.

Item	Part No.	Name	Qty	L	C	SN INFO
1	4812026857	Auger wing, r.h., short Ø500mm	1			
2	4749901556	Nut	2			
3	0333310042	Schnorr-lock washer	2			
4	0147110915	Hexagon head screw	2			

Referenced Pages

4812232996 Auger box	447
4812026736 Outer support	449
4812016497 Auger support	451

Referenced Pages

4812233023 Auger, basic width 500	446
4812232097 Mounting parts	453
4812027736 Wear part kit auger wing Ø500mm	3
4812075191 Renewal kit I, auger drive	4
4812075192 Renewal kit II, auger drive	5
4812045075 Auger gear	454
4812032831 Protection cover	455

	Referenced Pages	
4812232996 Auger box		447
4812026736 Outer support		449
4812016497 Auger support		451
	Referenced Pages	
4812233023 Auger, basic width 500		446
4812232097 Mounting parts		453
4812027736 Wear part kit auger wing Ø500mm		3
4812075191 Renewal kit I, auger drive		4
4812075192 Renewal kit II, auger drive		5
4812045075 Auger gear		454
4812032831 Protection cover		455

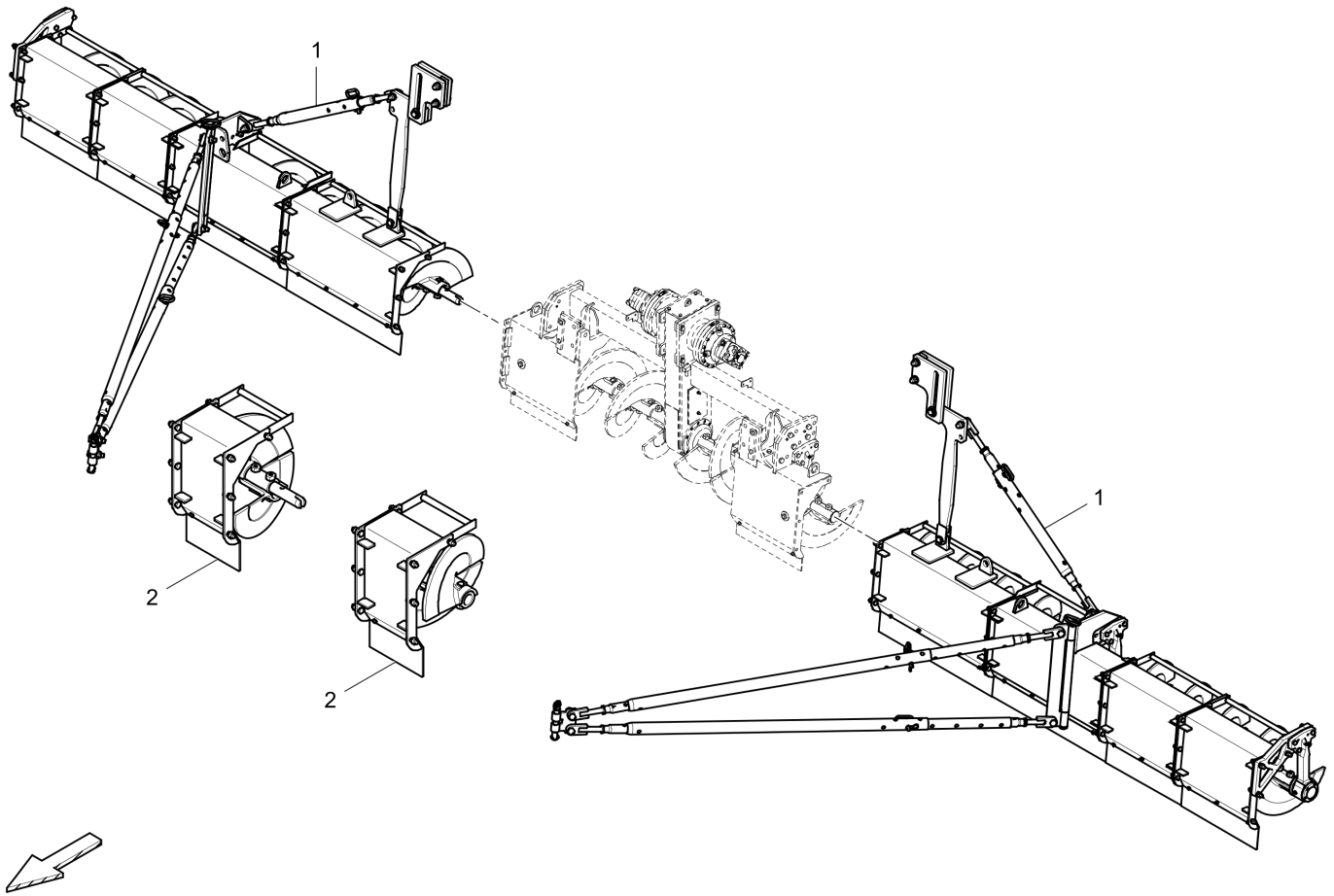
Referenced Pages

4812232996 Auger box	447
4812026736 Outer support	449
4812016497 Auger support	451

Referenced Pages

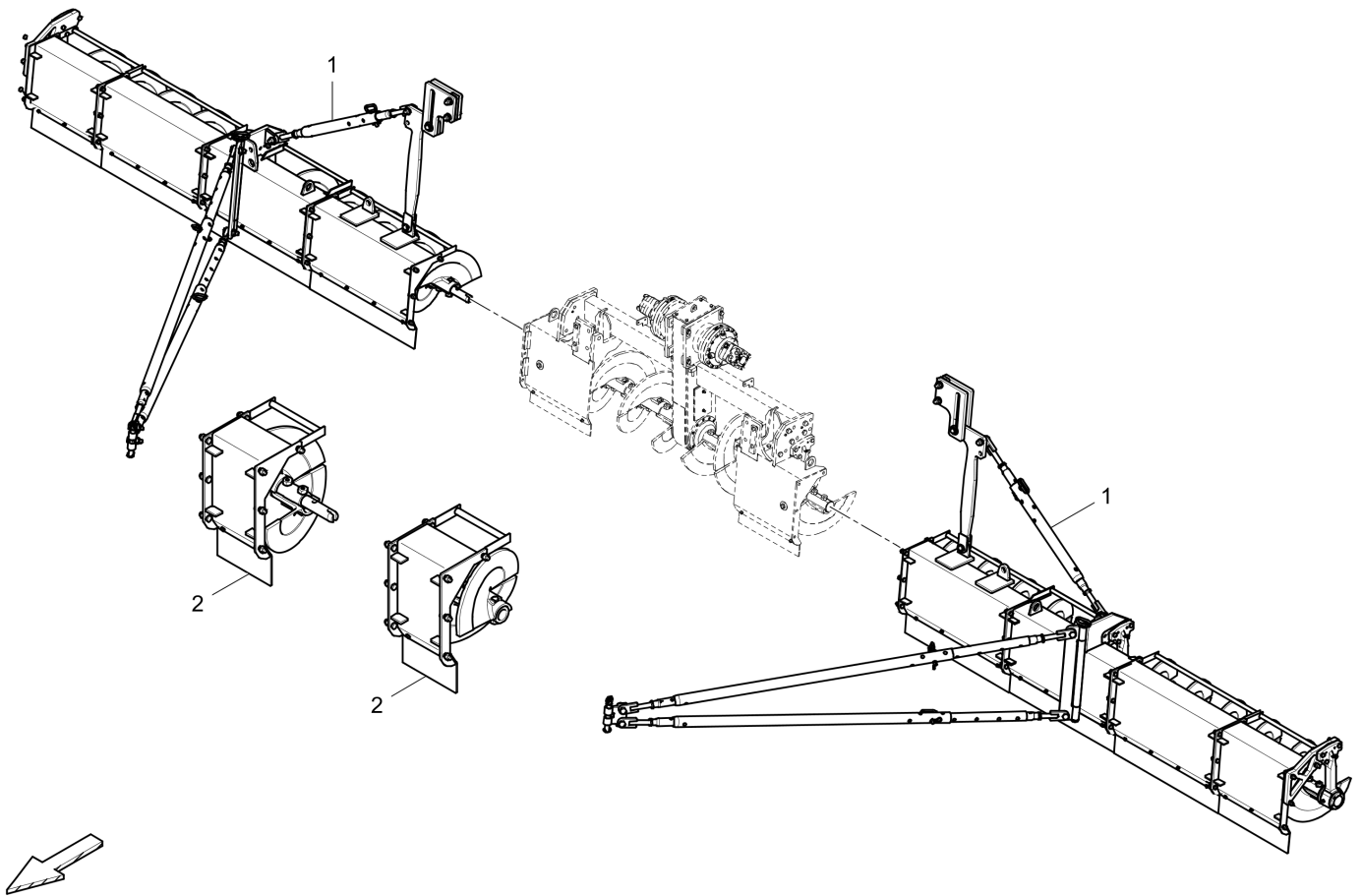
4812233023 Auger, basic width 500	446
4812232097 Mounting parts	453
4812027736 Wear part kit auger wing Ø500mm	3
4812075191 Renewal kit I, auger drive	4
4812075192 Renewal kit II, auger drive	5
4812045075 Auger gear	454
4812032831 Protection cover	455

4812047219 Extension part f. auger Ø500mm 4812047219 Extension part f. auger Ø500mm



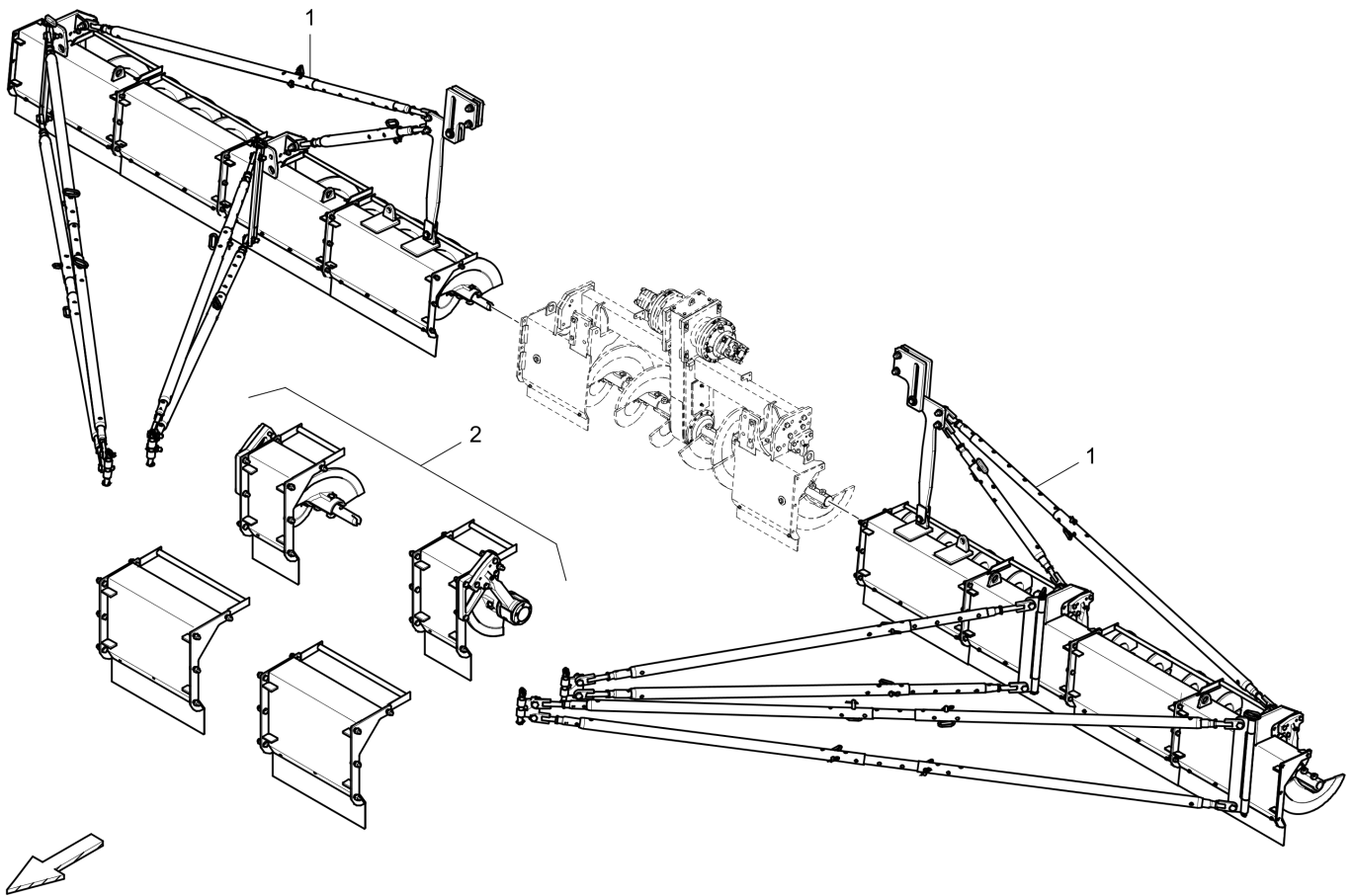
Item	Part No.	Name	Qty	L	C	SN INFO
1	4812032434	Auger Ø500mm, 8,90m	1			
2	4812032541	additional Extension parts	1			

4812047221 Extension part f. auger Ø500mm 4812047221 Extension part f. auger Ø500mm



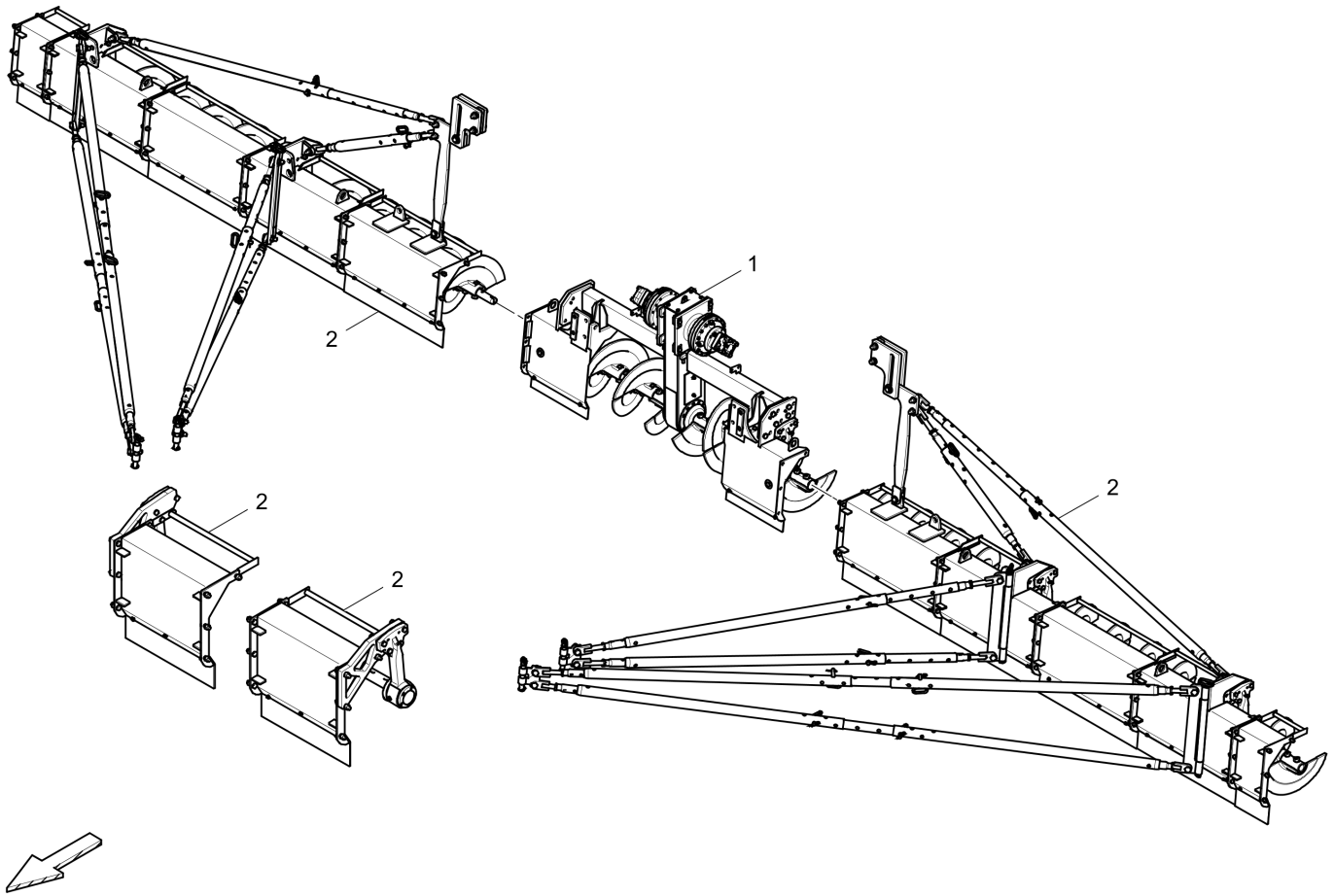
Item	Part No.	Name	Qty	L	C	SN INFO
1	4812032436	Auger Ø500mm, 9,54m	1			
2	4812032541	additional Extension parts	1			

4812047223 Extension part f. auger Ø500mm 4812047223 Extension part f. auger Ø500mm



Item	Part No.	Name	Qty	L	C	SN INFO
1	4812032438	Auger Ø500mm, 10,18m	1			
2	4812032544	additional Extension parts	1			

4812233077 Auger Ø500mm, 10.82m 4812233077 Auger Ø500mm, 10.82m

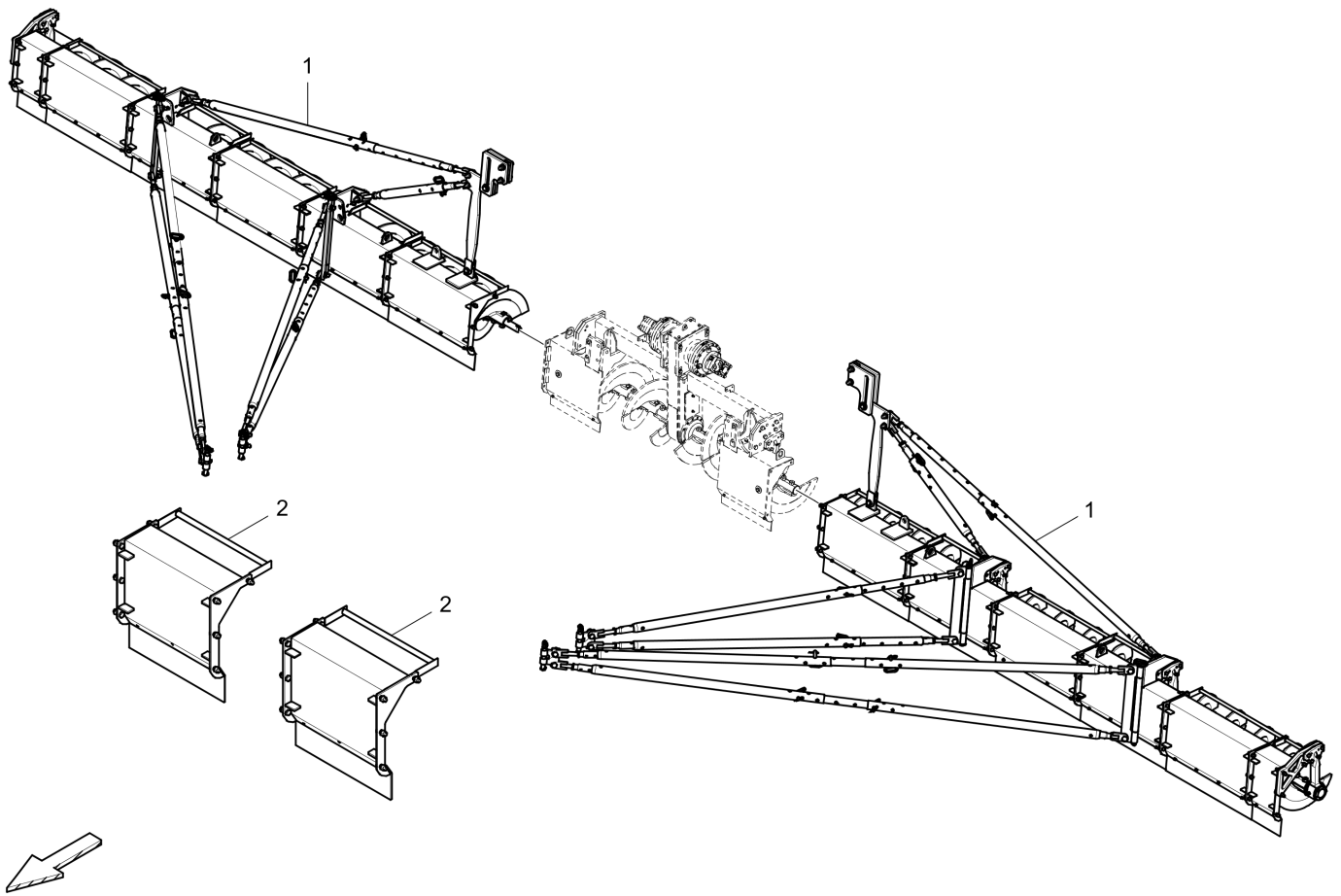


Item	Part No.	Name	Qty	L	C	SN INFO
1	4812233023	Auger, basic width 500	1			
2	4812047225	Extension part f. auger Ø500mm	1			

	Referenced Pages	
4812232996 Auger box		447
4812026736 Outer support		449
4812016497 Auger support		451
	Referenced Pages	
4812233023 Auger, basic width 500		446
4812232097 Mounting parts		453
4812027736 Wear part kit auger wing Ø500mm		3
4812075191 Renewal kit I, auger drive		4
4812075192 Renewal kit II, auger drive		5
4812045075 Auger gear		454
4812032831 Protection cover		455

	Referenced Pages
4812232996 Auger box	447
4812026736 Outer support	449
4812016497 Auger support	451
	Referenced Pages
4812233023 Auger, basic width 500	446
4812232097 Mounting parts	453
4812027736 Wear part kit auger wing Ø500mm	3
4812075191 Renewal kit I, auger drive	4
4812075192 Renewal kit II, auger drive	5
4812045075 Auger gear	454
4812032831 Protection cover	455

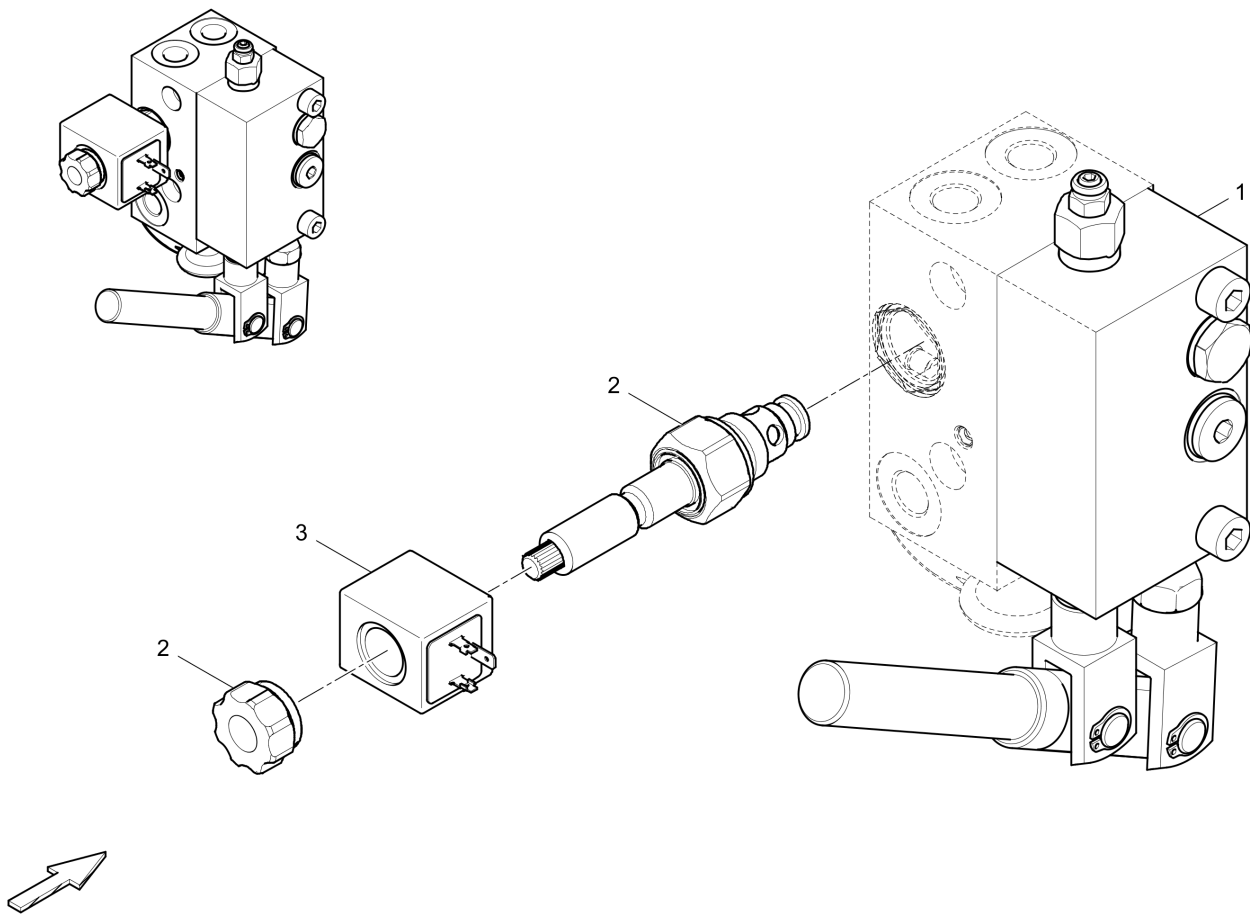
4812047228 Extension part f. auger Ø500mm 4812047228 Extension part f. auger Ø500mm



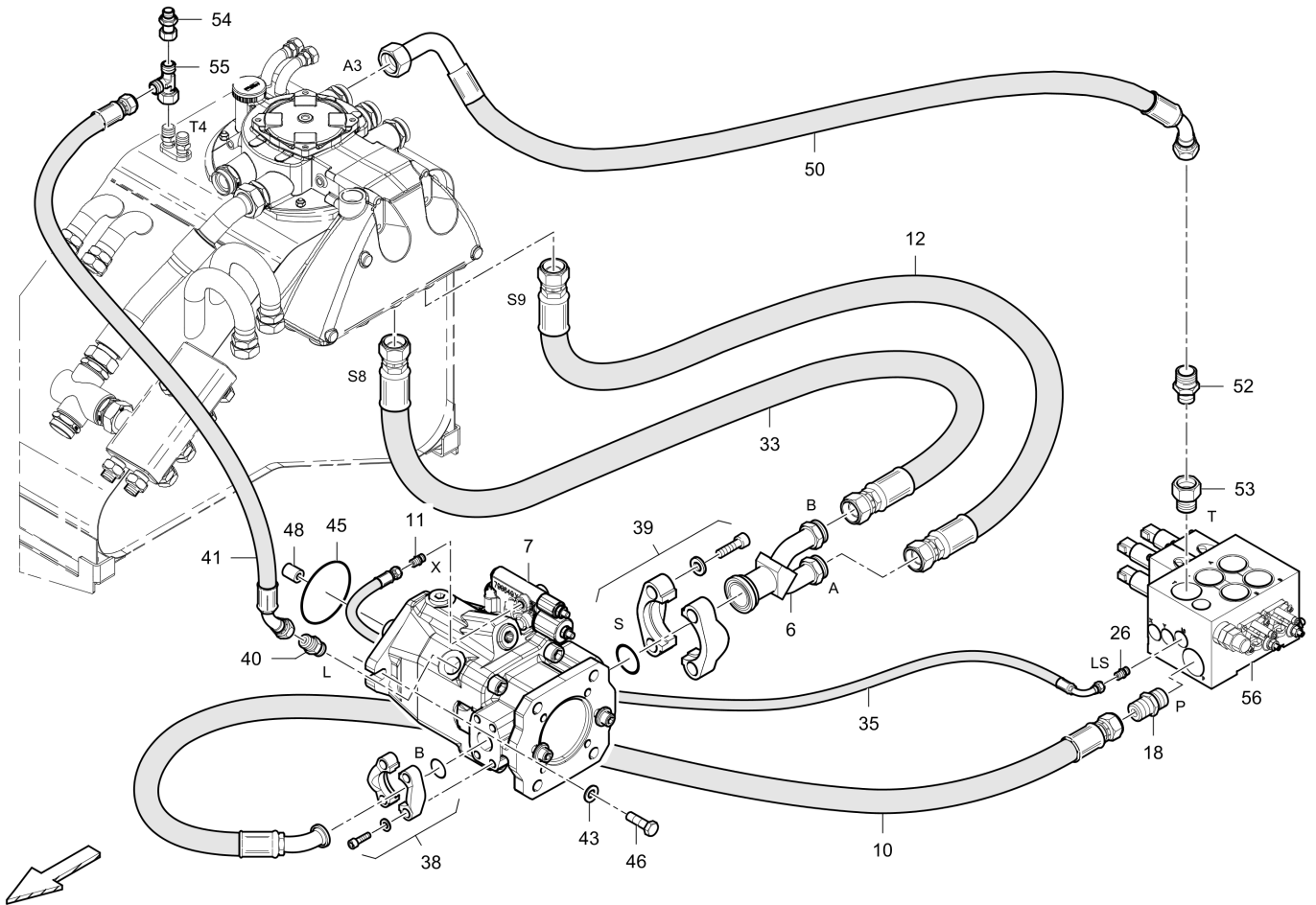
Item	Part No.	Name	Qty	L	C	SN INFO
1	4812032444	Auger Ø500mm, 12,74m	1			
2	4812032552	additional Extension parts	1			

Item	Part No.	Name	Qty	L	C	SN INFO
9	4812007695	Hose package hydr. end plate 616/617	1			
9	4812007545	Hose package screed R300 Konstant / constant	1			
9	4812007541	Hose package screed R300 Konstant / constant	1			
9	4812037363A	Hose package screed 616 / 617	1			
9	4812036309	Hose package screed R300 Verstell / variable	1			
9	4812007508	Hose package screed R300 Verstell / variable	1			

4812027654A Hydraulic, drive system 4812015999 Brakevalve



Item	Part No.	Name	Qty	L	C	SN INFO
1	4812018918	Manual pump	1			
2	4812018917	Valve	1			
3	4812016138	Field coil	1			
2	4812215472	3/2 way valve	1			
3	4812215496	Field coil	1			Valid for round design

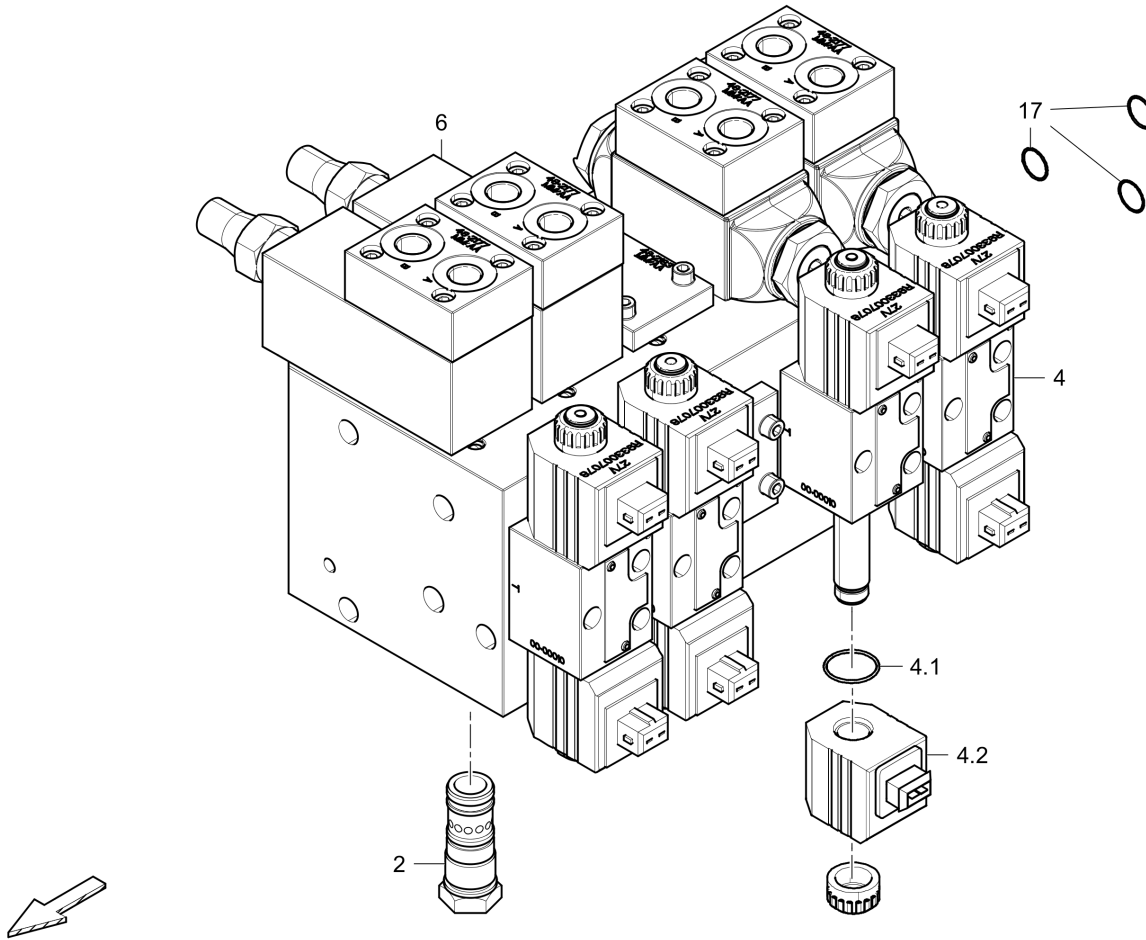


Item	Part No.	Name	Qty	L	C	SN INFO
2	4812026521	Radial piston motor	2			
2.1	4812040231	Seal kit	1			
4	4812010974	Connecting plate, l.h.	1			
5	4812010925	Connecting plate, r.h.	1			
6	4812031528	Suction tube	1			
7	4812031533	Adjustable pump	1			
9	D961935111	Straight double-ended union	4			
10	4812033403	Hose	1			
11	D961935350	Male connector	1			
12	4812033411	Hose	1			
13	D961917011	Elbow socket	2			
15	4812033405	Hose	1			
16	D961935211	Male connector	2			
18	D961935125	Male connector	1			
20	4812033407	Hose	1			
21	D961355023	Elbow union	2			
22	D961935104	Straight double-ended union	1			

Refer to Parts Online for the most up to date information. The printed information might be outdated.

Wed Oct 07 05:14:35 UTC 2020

4812012393 Work hydraulic 4812010617 Control block



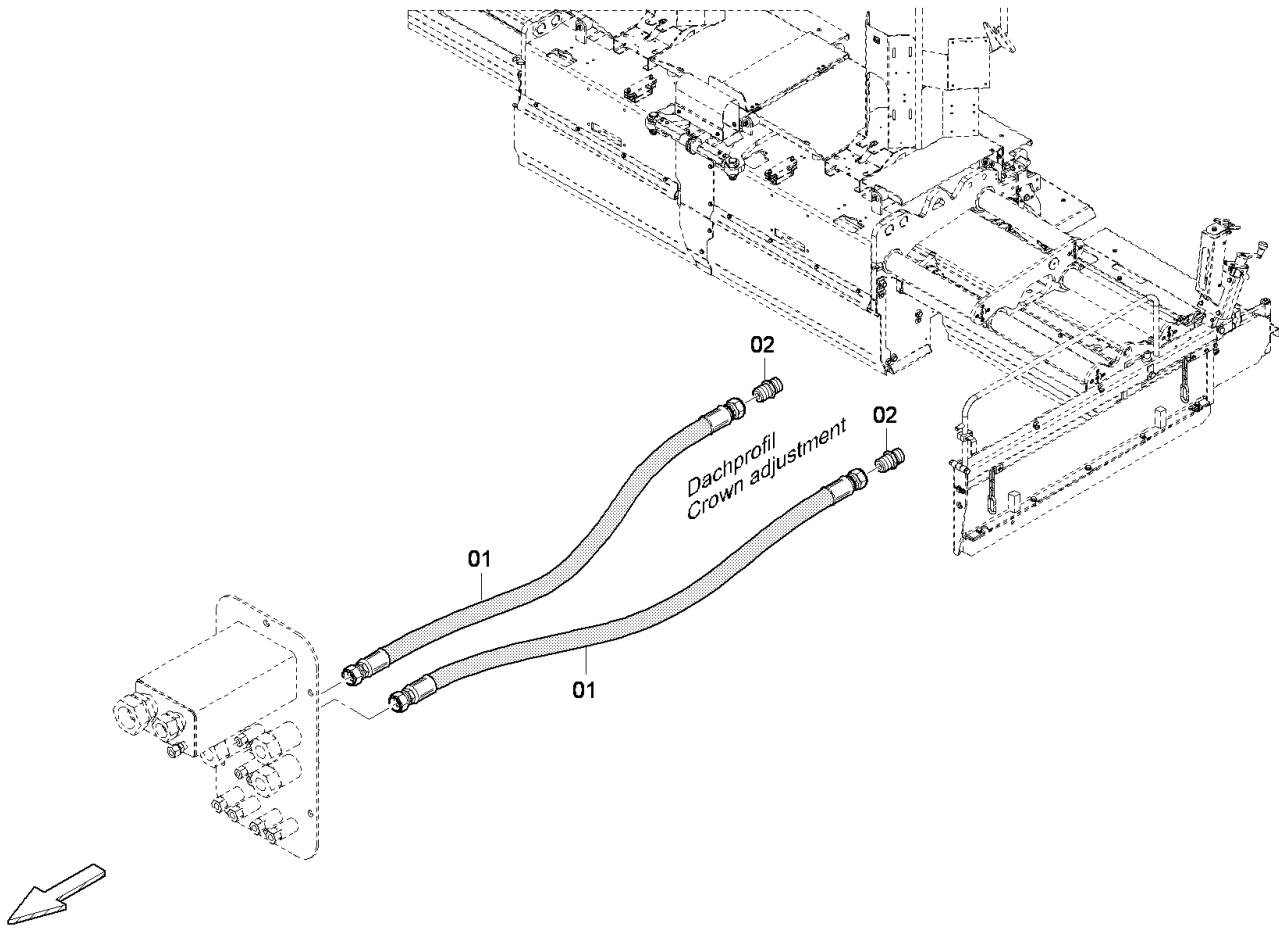
Item	Part No.	Name	Qty	L	C	SN INFO
2	4812006675	Pressure balance	1			
2.1	4812019340	Seal kit	1			
4	4812033280	Control block	1			
4.1	4749020223	O-ring	1			
4.2	4812036468	Coil	1			
6	4812030944	Valve, cpl.	1			
Comments for Part Num. 4812030944						
Valve is cpl. incl. block, screw, washer and sealing.						
17	4812030967	Seal kit	1			

Referenced Pages

4812044338 Filter 658

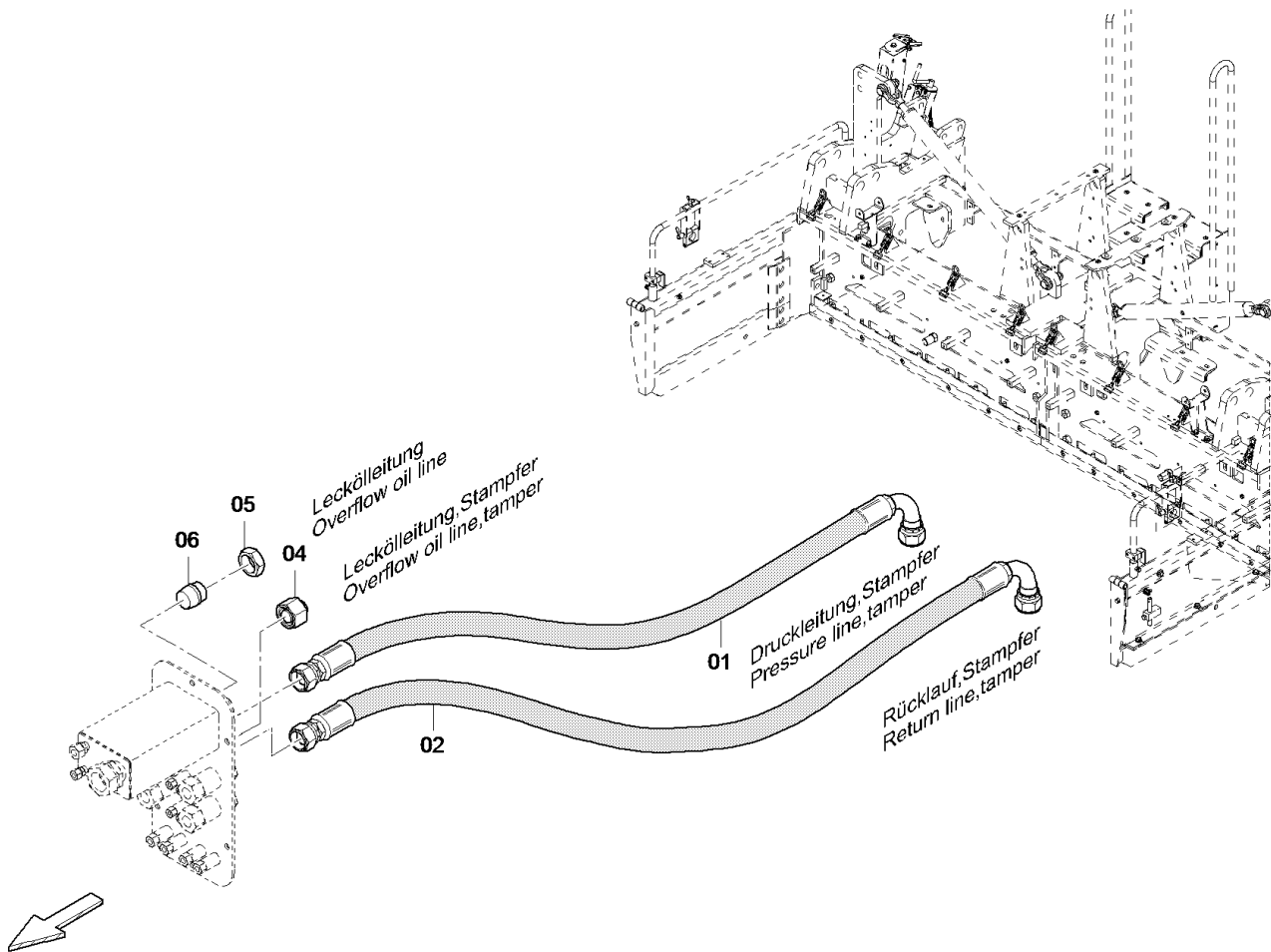
Item	Part No.	Name	Qty	L	C	SN INFO
14	0266211100	Nut hexagon	10			
16	D960892905	Hose	1			
17	0211132903	Hex sock. screw	1			
18	D936870016	Washer	2			
19	4812006845	Oil drain screw	1			
20	0211133003	Hex sock. screw	1			
21	4812076794	Sealant, cartridge, 310ml	1			

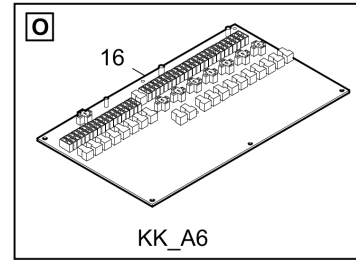
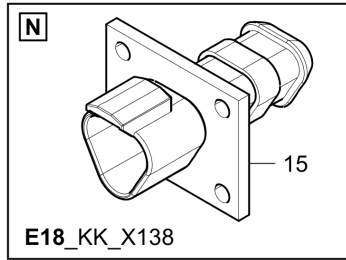
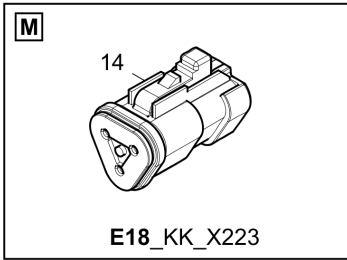
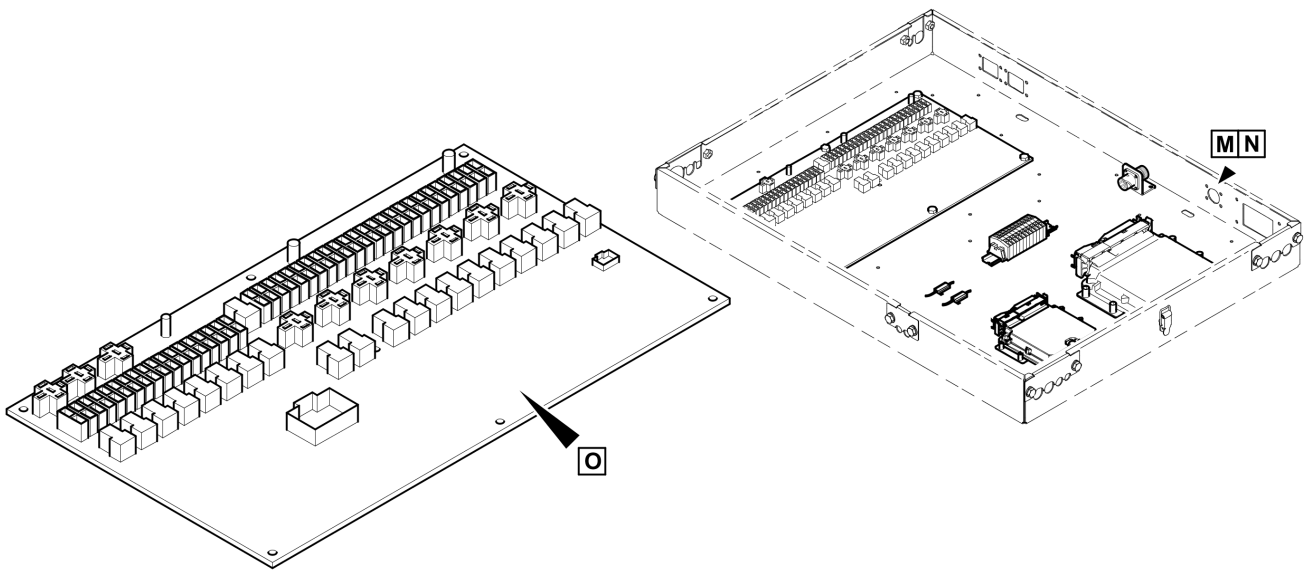
4812037372 Hose package roof profile 616/617 4812037372 Hose package roof profile 616/617

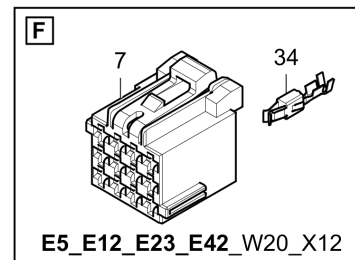
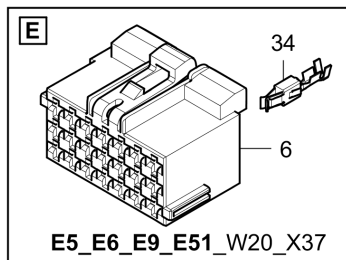
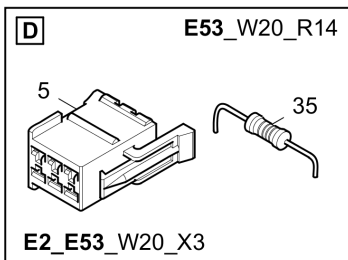
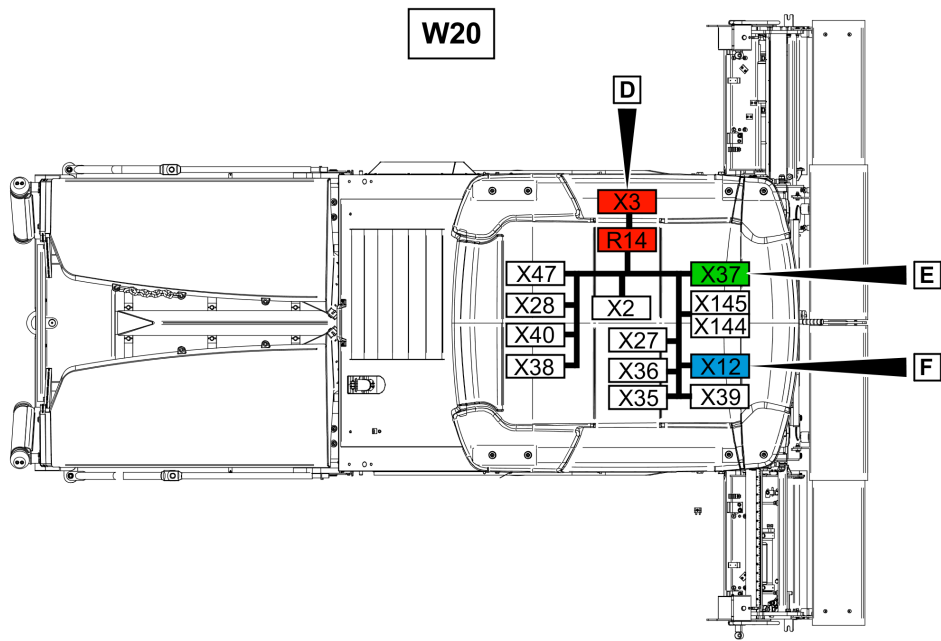


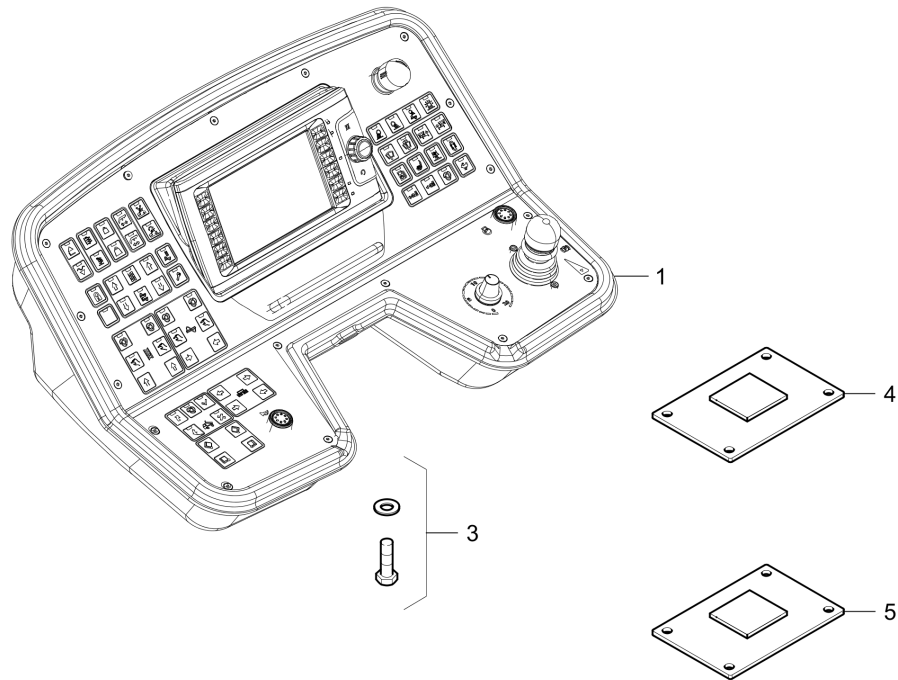
Item	Part No.	Name	Qty	L	C	SN INFO
1	4812034689	Hose	2			
2	D961935141	Male connector	2			

4812036309 Hose package screed R300 Verstell / variable 4812036364 Tamper / Vibration







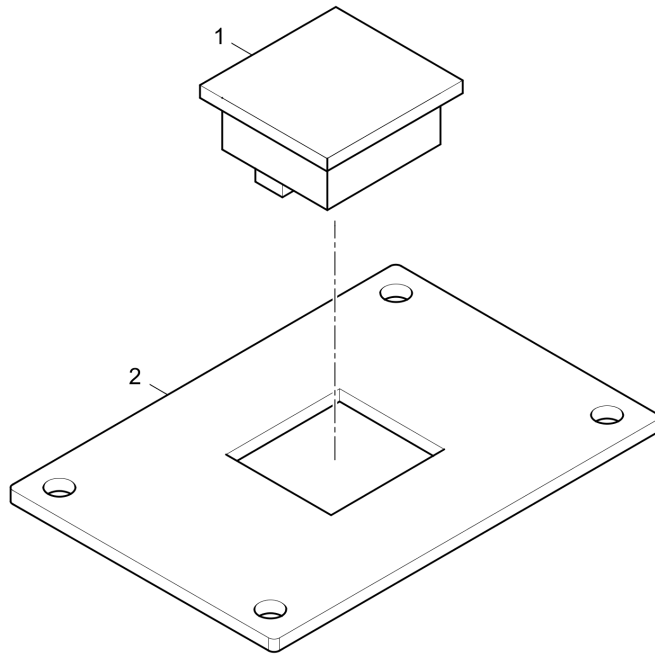
Control unit 4812016477A Control unit

Item	Part No.	Name	Qty	L	C	SN INFO
1	4812016161	Control unit	1			
1.1	4812041817	Operating panel housing	1			
3	4812038652	Mounting parts	1			
3.1	0147132503	Hex. Head screw M8 x 25	4			
3.2	D939505023	Washer	4			
4	4812012510	Add on kit hardlock 1	1			
5	4812012518	Add on kit hardlock 2	1			

Refer to Parts Online for the most up to date information. The printed information might be outdated.

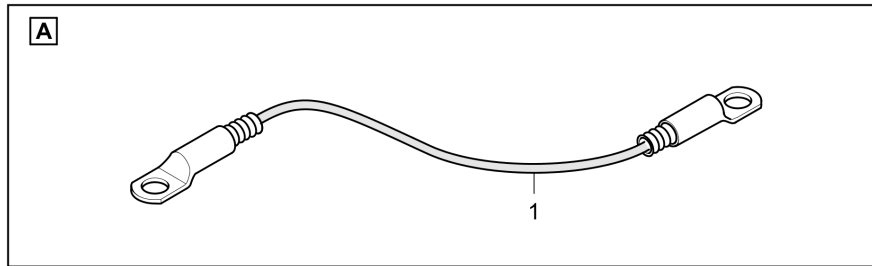
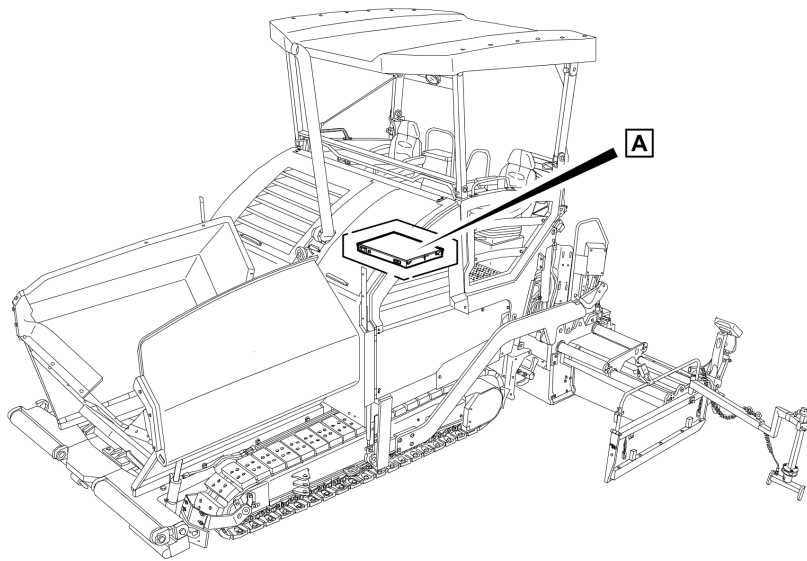
Wed Oct 07 05:16:03 UTC 2020

Control unit 4812012510 Add on kit hardlock



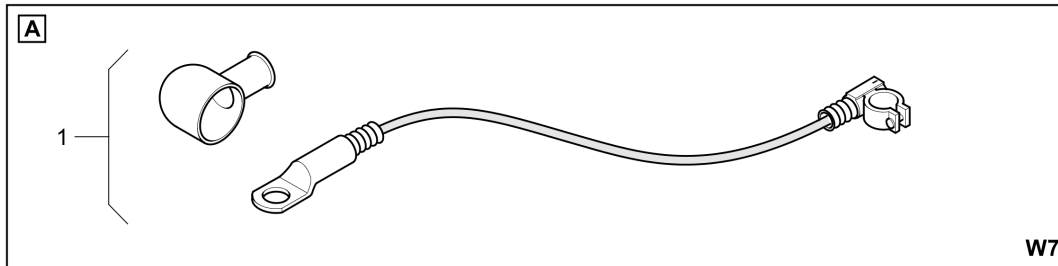
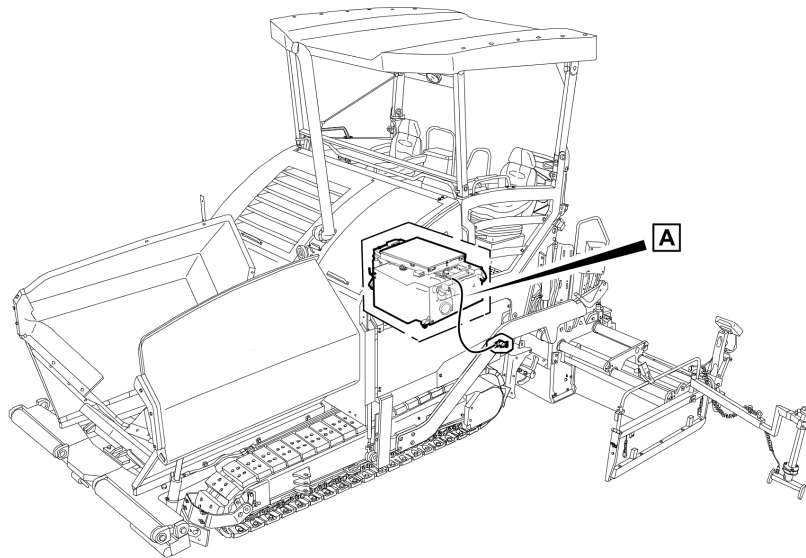
Item	Part No.	Name	Qty	L	C	SN INFO
1	4812009472	CAN Hardlock Stage 1	1			
2	4812009474	Mounting set	1			

4812016489 Wiring 4812201356 Cable W1.2

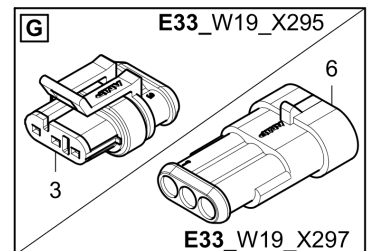
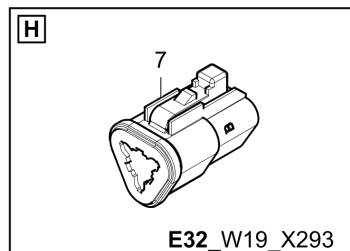
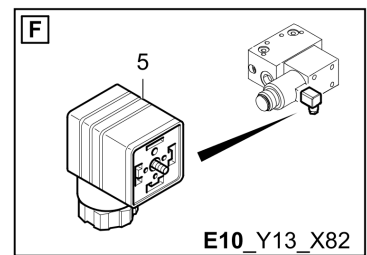
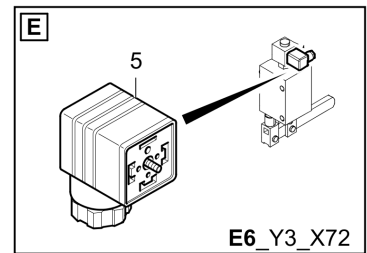
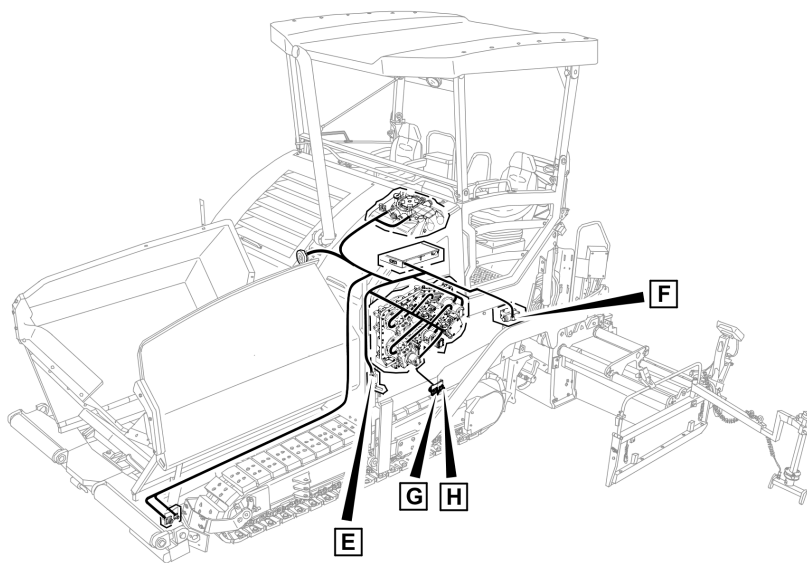


Item	Part No.	Name	Qty	L	C	SN INFO
1	4812201356	Cable W1.2	1			

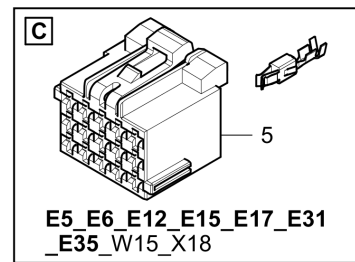
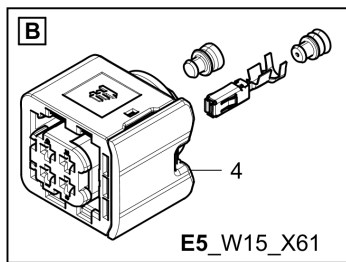
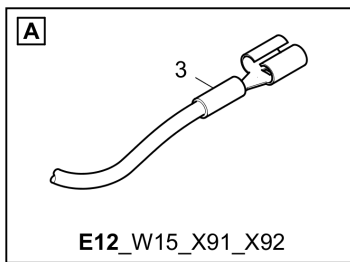
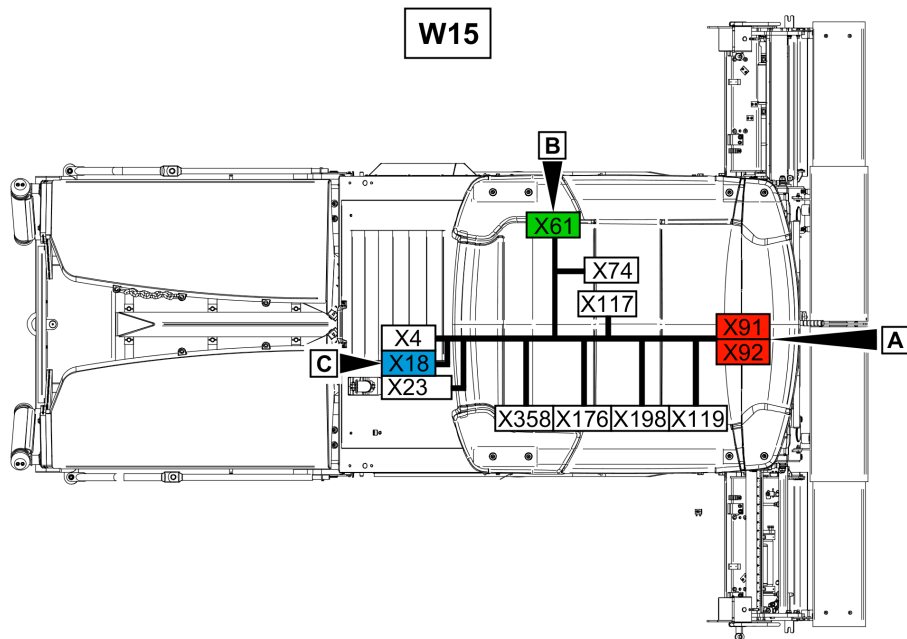
4812016489 Wiring 4812011129 Cable W7



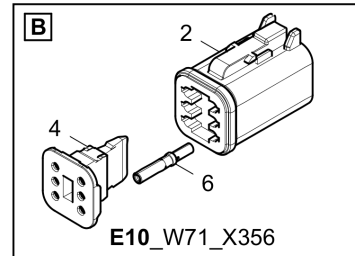
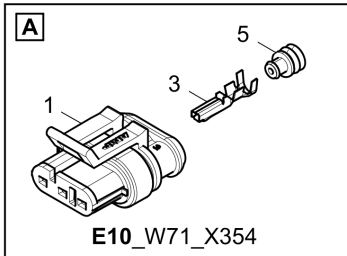
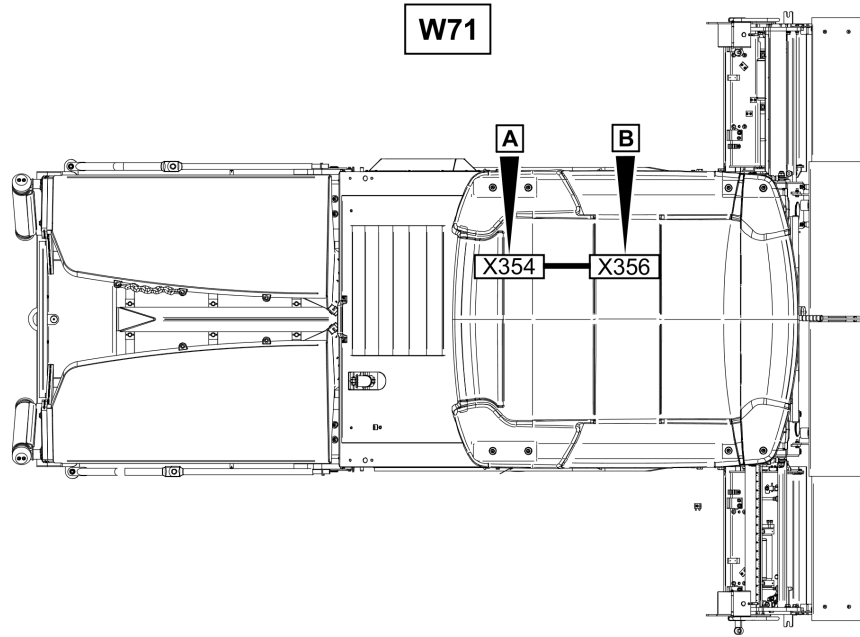
Item	Part No.	Name	Qty	L	C	SN INFO
1	4812011129	Cable W7	1			



4812016489 Wiring 4812016490 Harness W15



4812016489 Wiring 4812016480 Cable W71



Item	Part No.	Name	Qty	L	C	SN INFO
1	D977477103	Socket shell	1			
2	D977479755	Socket shell	1			
3	D977478301	Socket contact	3			
4	4812028609	Wedge lock	1			
5	D977478231	Sealing	1			
6	D977466144	Socket contact	3			

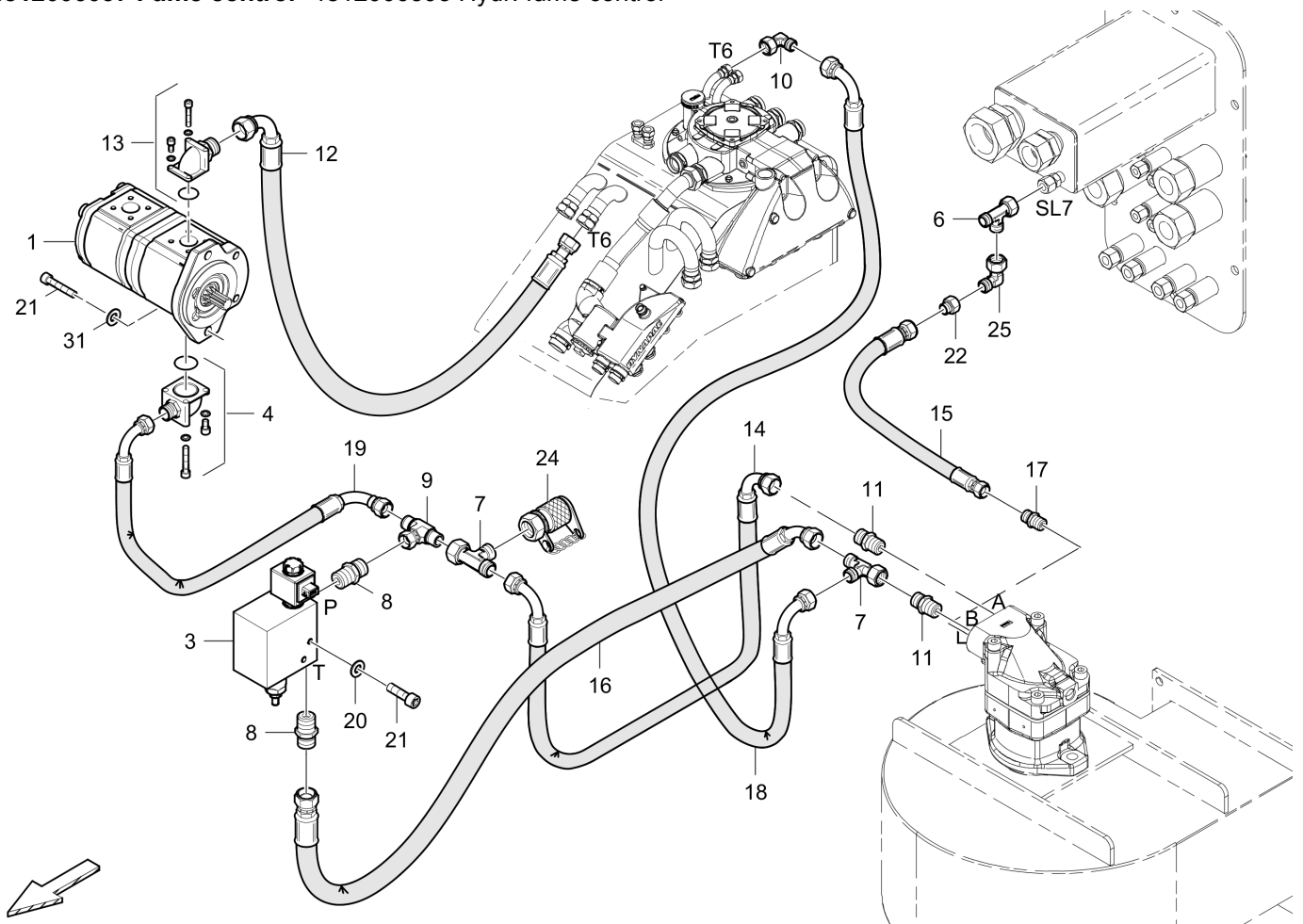
Refer to Parts Online for the most up to date information. The printed information might be outdated.

Wed Oct 07 05:17:39 UTC 2020

Data storage device 4812216584 TruckAssist-Brief instruction



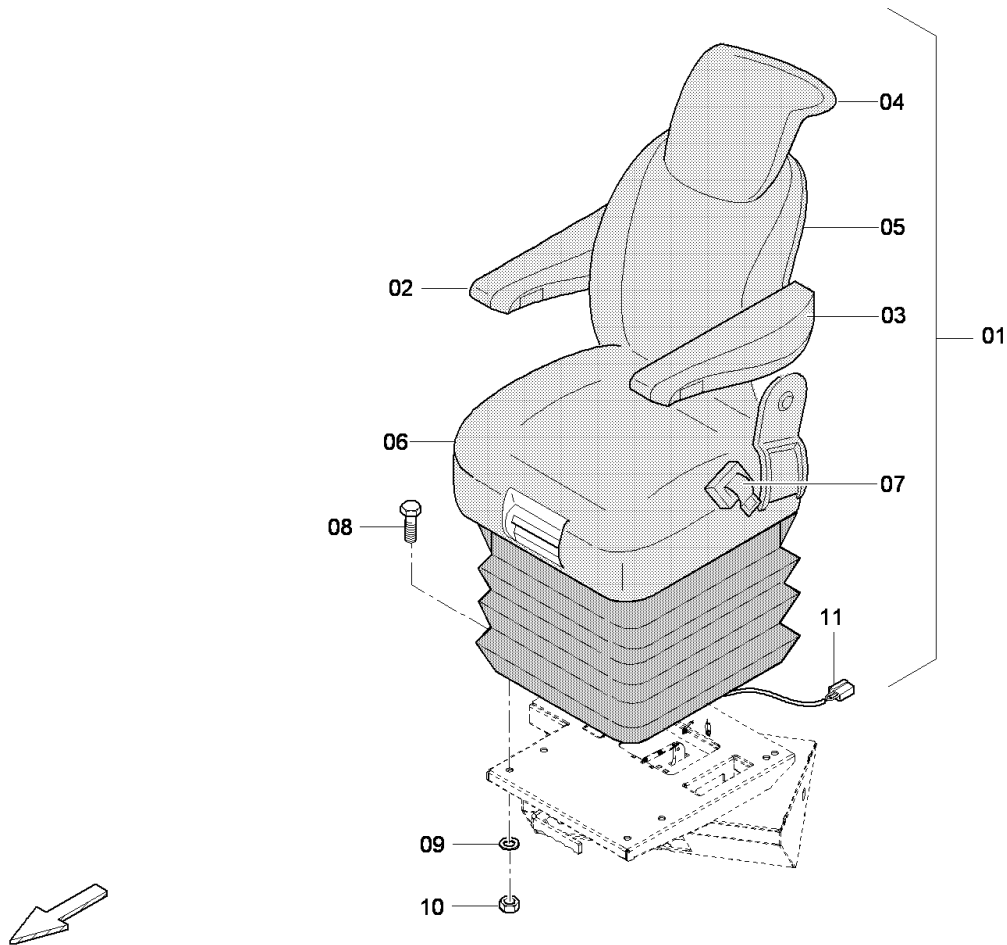
Item	Part No.	Name	Qty	L	C	SN INFO
1	4812216584	TruckAssist-Brief instruction	1			

4812006037 Fume control 4812006393 Hydr. fume control

Item	Part No.	Name	Qty	L	C	SN INFO
1	4812045332	Pump	1			
3	4812044916	Pressure reduction valve	1			
4	D961371072	Screwing	1			
4.1	D932208067	O-ring	1			
4.2	4749900080	Shake-proof washer	4			
4.3	D937930224	Screw	2			
4.4	D937930228	Screw	2			
6	D961919007	Swivel nut branch tee	1			
7	D961919010	Swivel nut branch tee	2			
8	D961935110	Stud	2			
9	D961918010	Swivel nut branch tee	1			
10	D961917010	Elbow socket	1			
11	D961935236	Male connector	2			
12	4812032574	Hose	1			
13	D961371010	Screwing	1			
13.1	D932318093	O-ring	1			

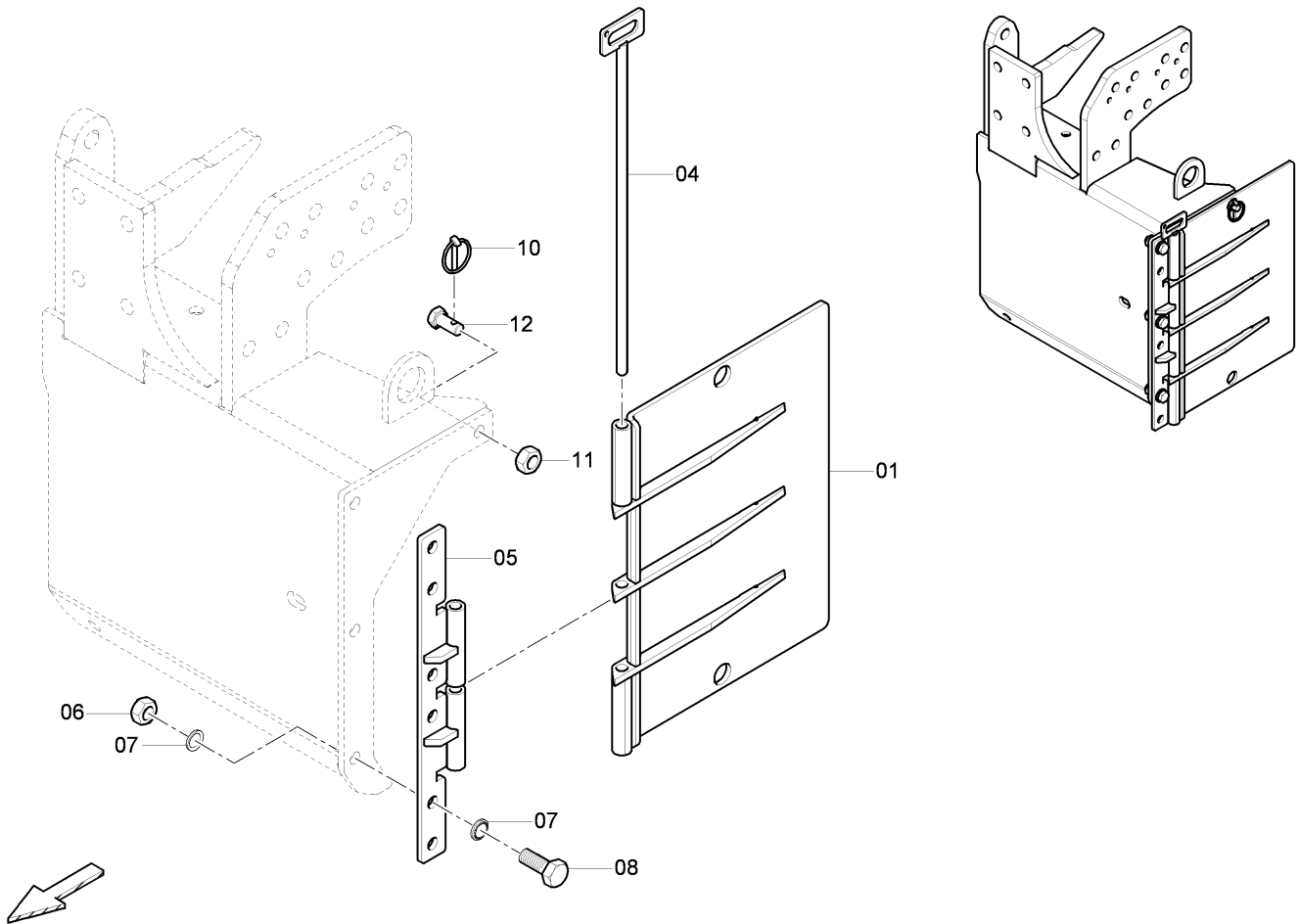
Refer to Parts Online for the most up to date information. The printed information might be outdated.

Wed Oct 07 05:18:11 UTC 2020

4812035452 Drivers seat Grammer, beheizbar 4812035452 Drivers seat Grammer, beheizbar

Item	Part No.	Name	Qty	L	C	SN INFO
1	D953420382	Luxury seat (Grammer)	1			
2	4812025186	Arm rest, r.h.	1			
3	4812025187	Arm rest, l.h.	1			
4	4812025182	Extension	1			
5	4812025183	Cushion, heatable	1			
6	4812025185	Cushion, heatable	1			
7	4812025188	Seat belt	1			
8	0147132303	Hexagon bolt	4			
9	D939505023	Washer	4			
10	0291118802	Hexagon nut	4			
11	4812030001	Seat heater	1			

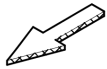
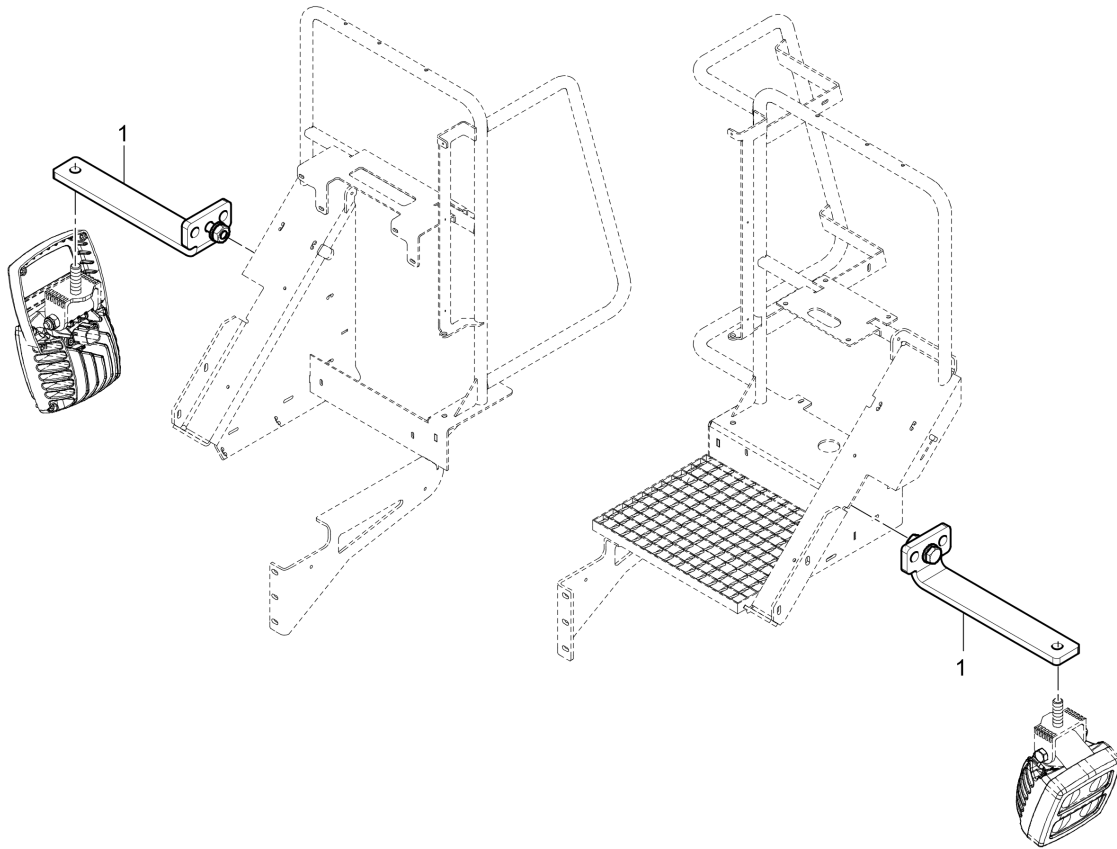
4812041024 Material chute 4812041024 Material chute



Refer to Parts Online for the most up to date information. The printed information might be outdated.

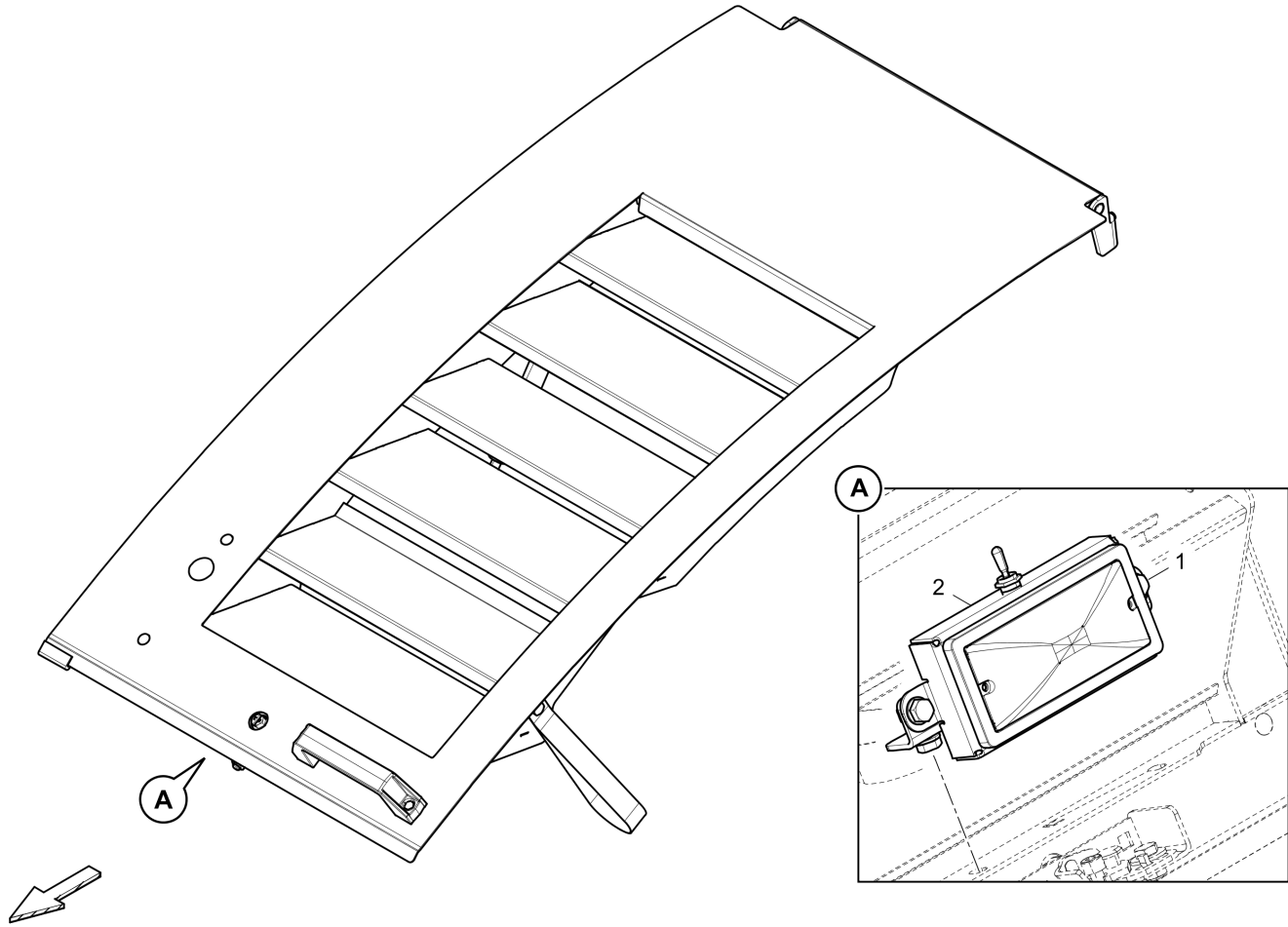
Wed Oct 07 05:18:33 UTC 2020

4812006382 Mounting parts 4812006382 Mounting parts



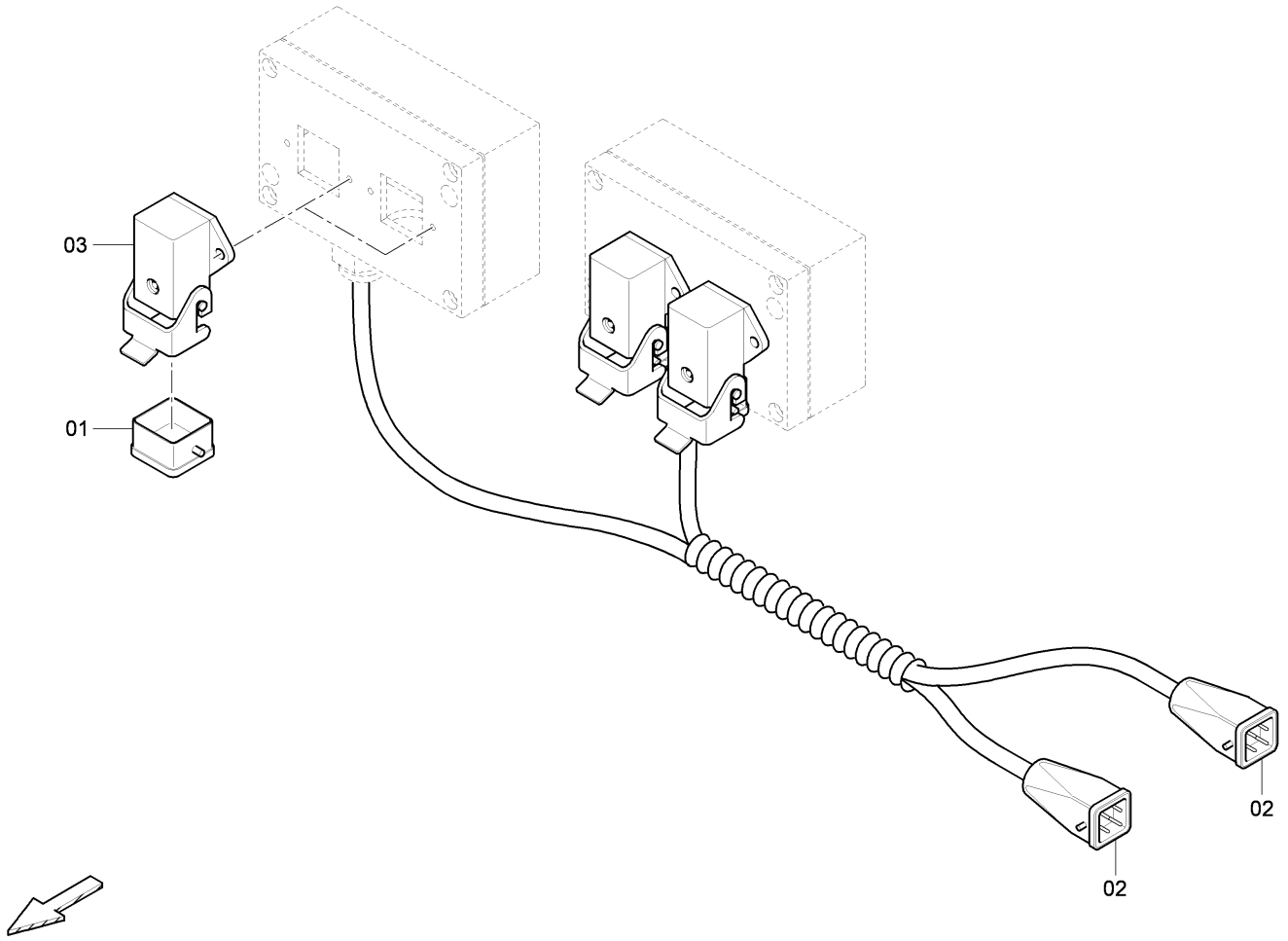
Item	Part No.	Name	Qty	L	C	SN INFO
1	4812006378	Lamp holder	2			

4812023396 Option engine room lighting, Tier4f 4812023396 Option engine room lighting

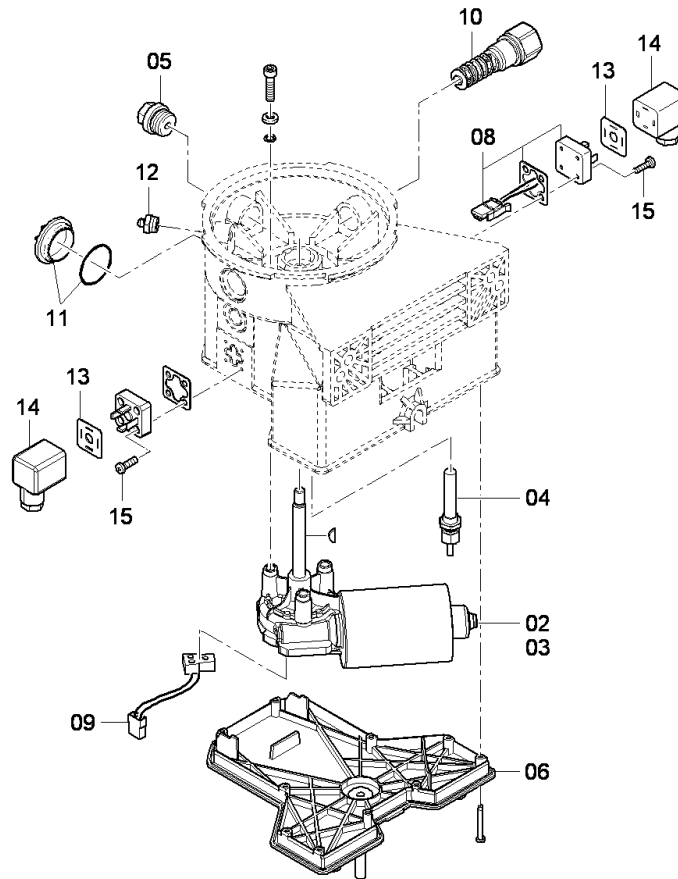


Item	Part No.	Name	Qty	L	C	SN INFO
1	4812032889	Engine room lighting	1			
2	4812023397	Engine room lighting, electric	1			

4812006942 Halogen spot light 4812036596 cable cpl.



Item	Part No.	Name	Qty	L	C	SN INFO
1	D977478247	Dust cap	1			
2	D977463156	Plug	1			
3	D977463171	Socket	1			
Not Shown	4812036652	Plug				

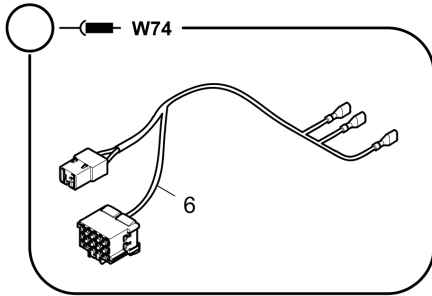
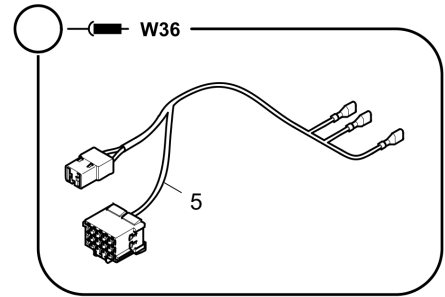
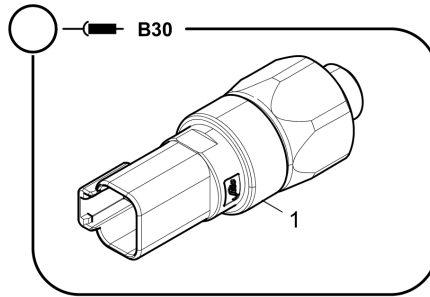
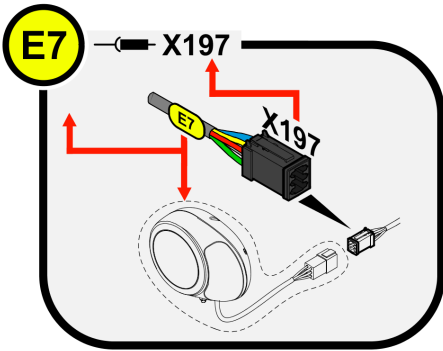


Item	Part No.	Name	Qty	L	C	SN INFO
1	4812037850	Housing	1			
2	4812037851	Motor	1			
3	4812037852	Repair kit	1			
4	4812037853	Magnetic switch	1			
5	D935555263	Plug screw	1			
6	4812037854	Cover cpl.	1			
7	4812037855	Box cpl.	1			
8	4812037856	Plug	1			
9	4812037857	Plug	1			
10	D935555037	Pump element	2			
11	4812037858	Protective plug	1			
12	D935555260	Grease nipple	1			
13	4812037859	Sealing	2			
14	4812037861	Wire box	2			
15	4812037862	Screw	8			
16	4812026299	Cover	1			
18	4812038713	Wing	1			

Refer to Parts Online for the most up to date information. The printed information might be outdated.

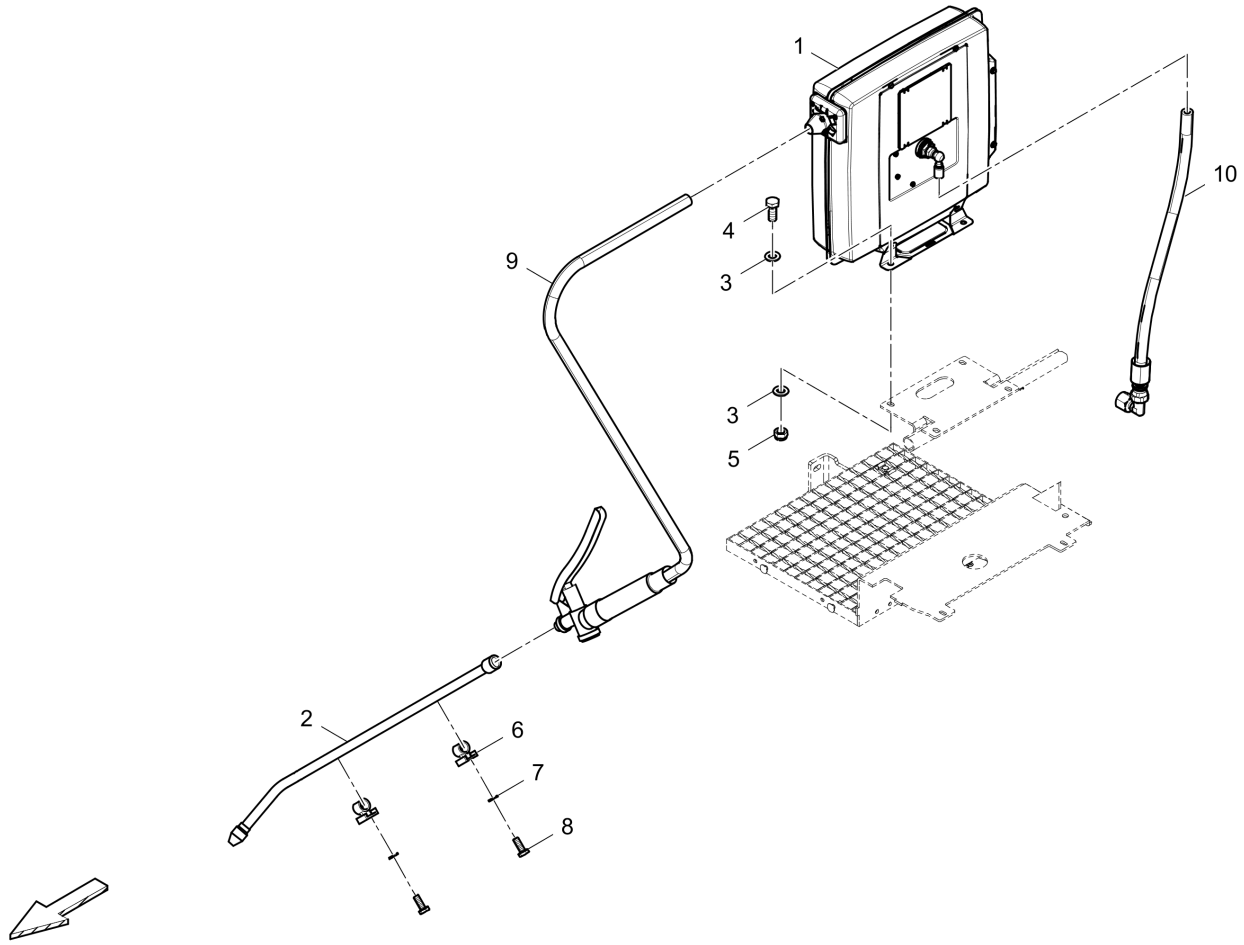
Wed Oct 07 05:19:20 UTC 2020

481227323 Emulsion spray system 4812071797 El. emulsion spray



Item	Part No.	Name	Qty	L	C	SN INFO
1	4812038937	Pressure switch	1			
5	4812071798	Cable W36	1			
6	4812071650	Adapter cable W74	1			

4812227324 Emulsion spray system 4812232523 Hose reel

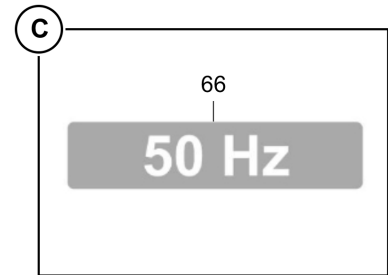
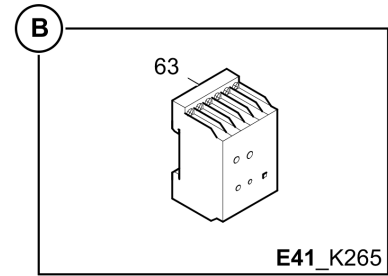
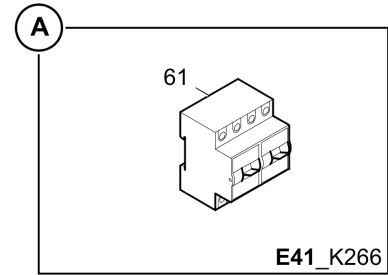
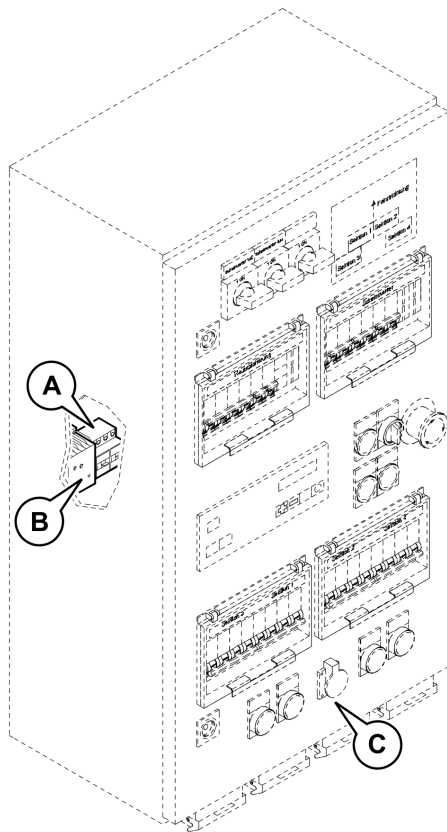


Item	Part No.	Name	Qty	L	C	SN INFO
1	4812232521	Hose reel	1			
2	D956166675	Splash pipe, cpl.	1			
2.1	D956192420	Nozzle	1			
3	0301233500	Plain washer	8			
4	0147132303	Hexagon bolt	4			
5	0291118802	Hexagon nut	4			
6	D953509710	Clip	2			
7	0333310045	Schnorr-lock washer	2			
8	0147124603	Screw	2			
9	4812232728	Hose	1			
10	4812232729	Hose	1			

Refer to Parts Online for the most up to date information. The printed information might be outdated.

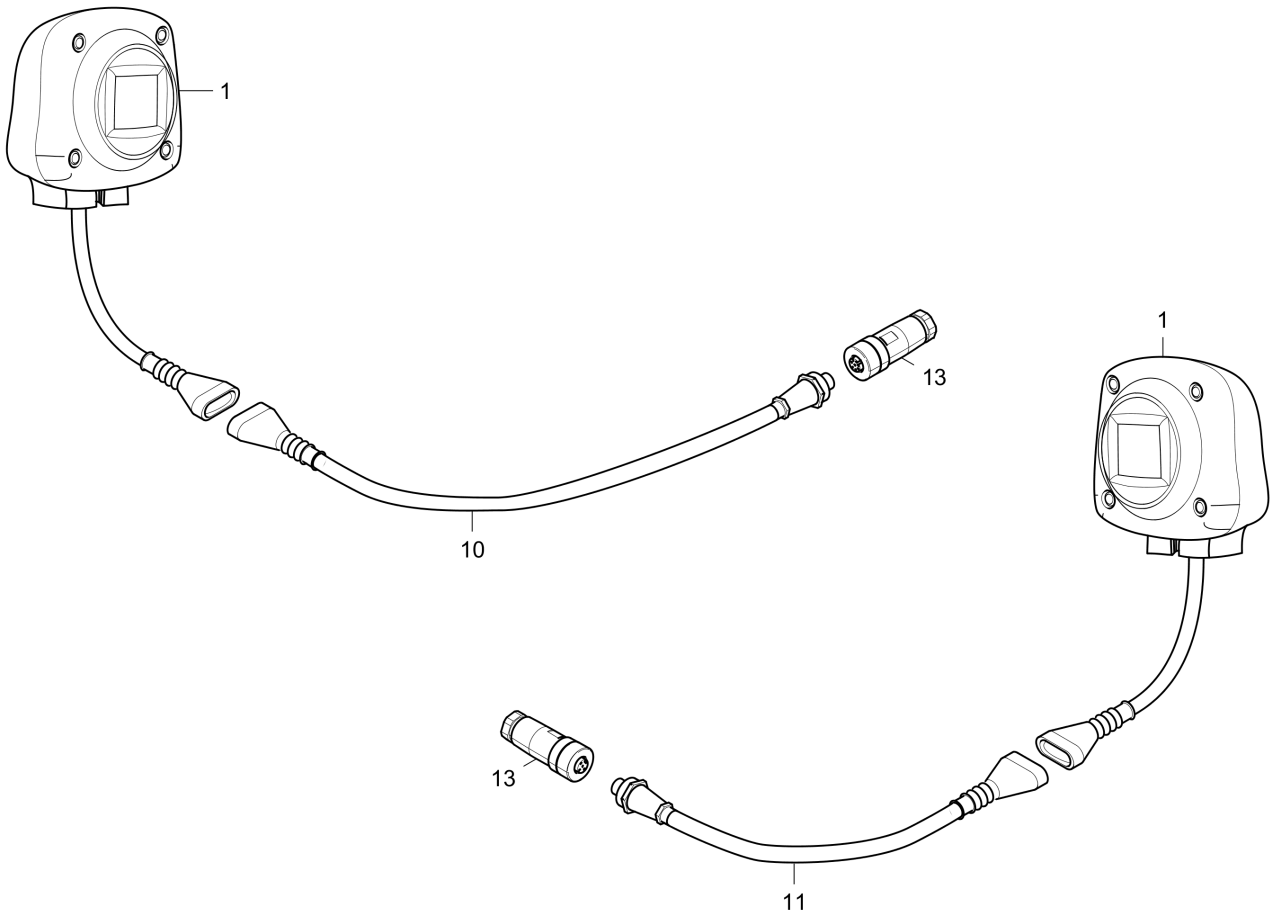
Wed Oct 07 05:19:45 UTC 2020

4812032974 Socket, 230V 4812032974 Socket, 230V



Item	Part No.	Name	Qty	L	C	SN INFO
61	D977734006	Contacteur	1			
63	4812044484	Phase relay	1			
66	4812200762	Sticker 50Hz	1			

4812017406 Camera system 4812017407 El. option

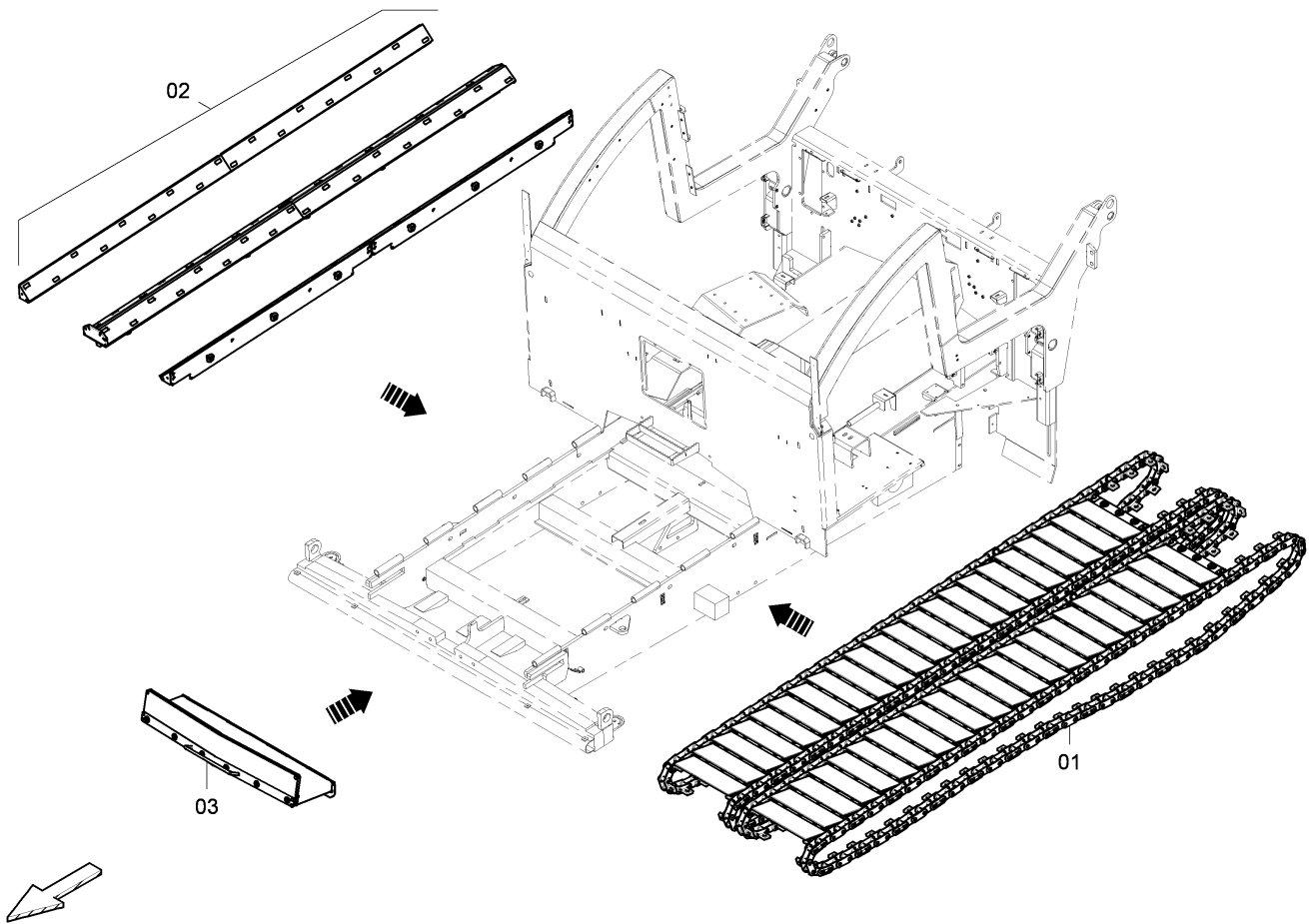


Item	Part No.	Name	Qty	L	C	SN INFO
1	4812043178	Camera	2			
10	4812017155	Cable W32	1			
11	4812017153	Cable W33	1			
13	D977479754	Wire box	2			

Refer to Parts Online for the most up to date information. The printed information might be outdated.

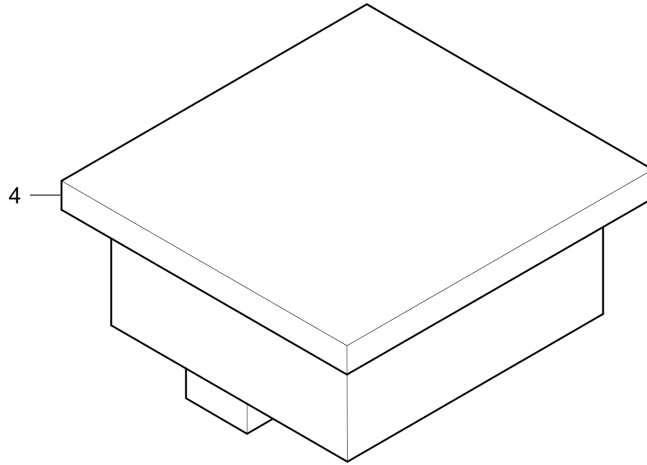
Wed Oct 07 05:20:00 UTC 2020

4812042814 Gravel field kit 4812042814 Gravel field kit



Item	Part No.	Name	Qty	L	C	SN INFO
1	4812042762	Conveyor chain, long	1			
2	4812042830	Gusset plate	1			
3	4812042848	Bulk material flap	1			

4812017027 Hardlock Advanced 4812017027 Hardlock pro / Pavemanager 2

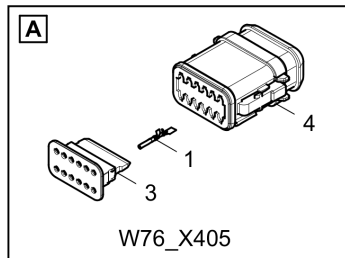
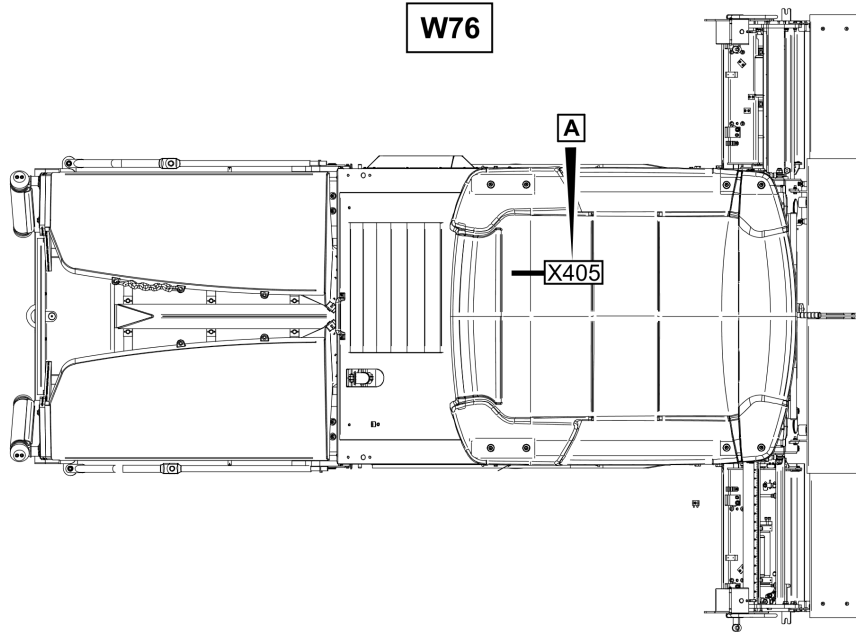


Item	Part No.	Name	Qty	L	C	SN INFO
4	4812009473	Hardlock	1			

Referenced Pages

4812016459 Cable W66 793

4812018948 Option pave IR ready 4812018734 Harness W76



Item	Part No.	Name	Qty	L	C	SN INFO
1	4812028613	Female contact	5			
3	4812035629	Key	1			
4	4812031377	Plug	1			

CLICK HERE TO **DOWNLOAD** THE COMPLETE MANUAL

- Thank you very much for reading the preview of the manual.
- You can download the complete manual from: www.heydownloads.com by clicking the link below



- Please note: If there is no response to CLICKING the link, please download this PDF first and then click on it.

CLICK HERE TO **DOWNLOAD** THE COMPLETE MANUAL