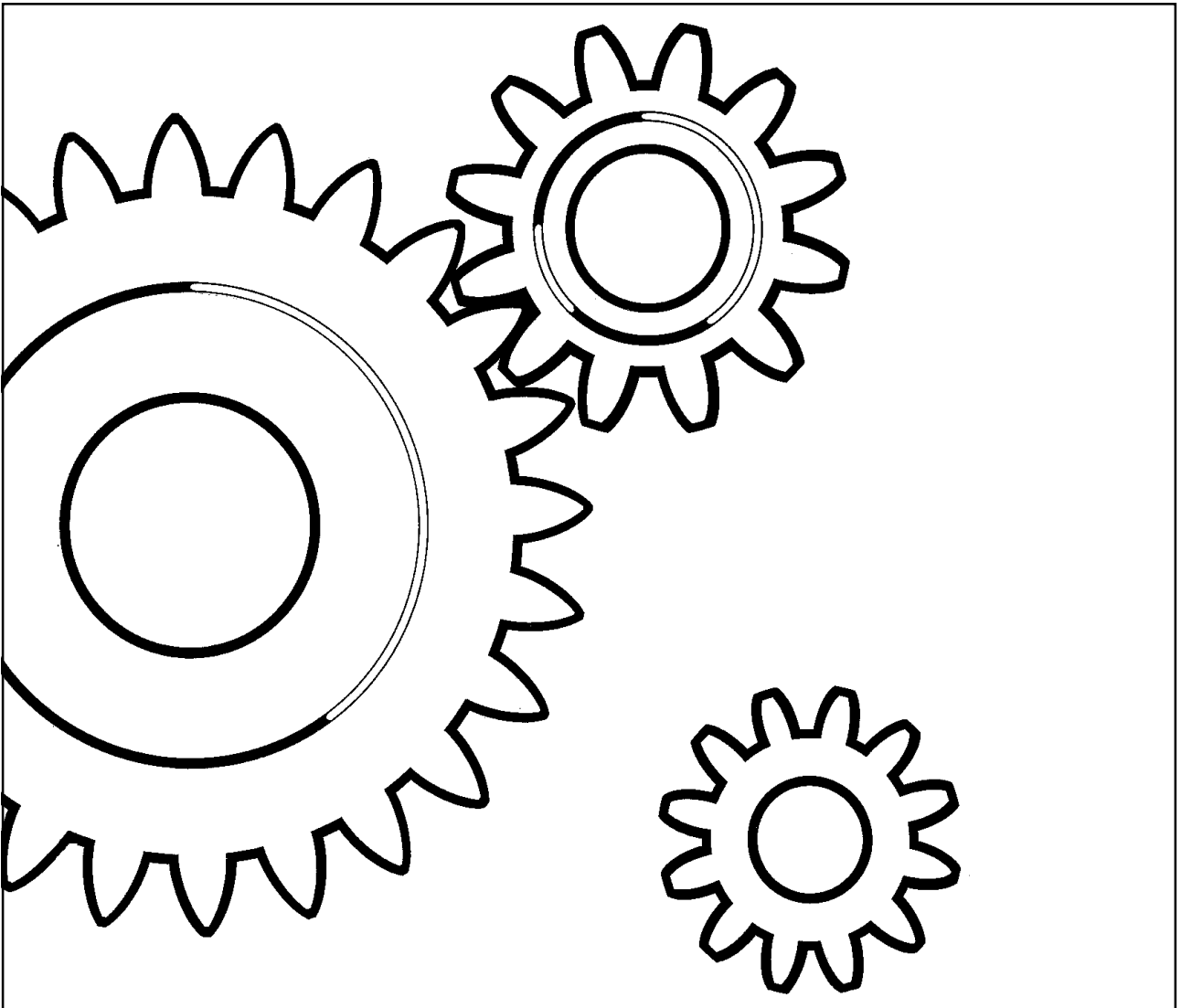


DYNAPAC PL2000LS SPARE PARTS CATALOGUE

504.145



DYNAPAC

Ammerländer Straße 93, D-26203 Wardenburg, Germany

Phone: +49 4407/972-0, Fax: +49 4407/972-143

www.dynapac.com

CLICK HERE TO **DOWNLOAD** THE COMPLETE MANUAL

- Thank you very much for reading the preview of the manual.
- You can download the complete manual from: www.heydownloads.com by clicking the link below



- Please note: If there is no response to CLICKING the link, please download this PDF first and then click on it.

CLICK HERE TO **DOWNLOAD** THE COMPLETE MANUAL

Pos. Item	Best.-Nr. Part No.	Anz. Qty.	Beschreibung Description	Bemerkung Note
				31.10.06
Main frame			504-01100A	

Pos. Item	Best.-Nr. Part No.	Anz. Qty.	Beschreibung Description	Bemerkung Note
48	500210397	1	Distance bushing	
49	600009	1	Disc	
50	938500009	1	Safety nut	
51	500037	1	Hex. screw	
55	504010304		Footwell, compl.	
56	504010305	2	Lock profile	
57	504010316	2	Side plate	
58	504010318	2	Angle	
59	939142309	4	Screw	
60	930234010	32	Rubber buffer	
61	504010310	8	Bottom plate, compl.	
62	930579800	1	Lock	
_01	956114040	1	_Punch key	
63	600003	4	Disc	
64	504010196	1	Handle yoke	
65	49300078	4	Rivet	
66	504010321	9	U-girder	
67 *	930235491	2	Seal profile	X m
68	504010311	1	Bottom plate	
69	930280167	2	Protection	X m
70	500210472	1	Support, left	
71	500210470	1	Support, right	
72	930040107	4	Hexagon flange bolt	
73	930220811	2	Pneumatic spring	
74	930220812	2	Pneumatic spring	
75	930040110	4	Hexagon flange bolt	
76	500048	4	Screw	
77	938165715	2	Screw	
78	938165662	4	Hex. screw	
79	570006	10	Nut	
80	570005	12	Nut	
81	500234	2	Screw	
82	939776115	8	Locking washer	
84	500210462	2	Distance piece	
85	500210465	2	Flap mechanic	
100	500210117	1	Frame for cooler	
101	500210118	1	Frame insert	
102	500210138	2	Support angle	
103	930136772	2	Bow type handle	
104	930118511	2	Slip-on pipe	
105	600004	15	Disc	
107	977900132	2	Working lamp	
108	939570511	8	Disc	
109	930280165	1	Seal profile	X m
110	939141711	11	Round head screw	

*) Available as single part

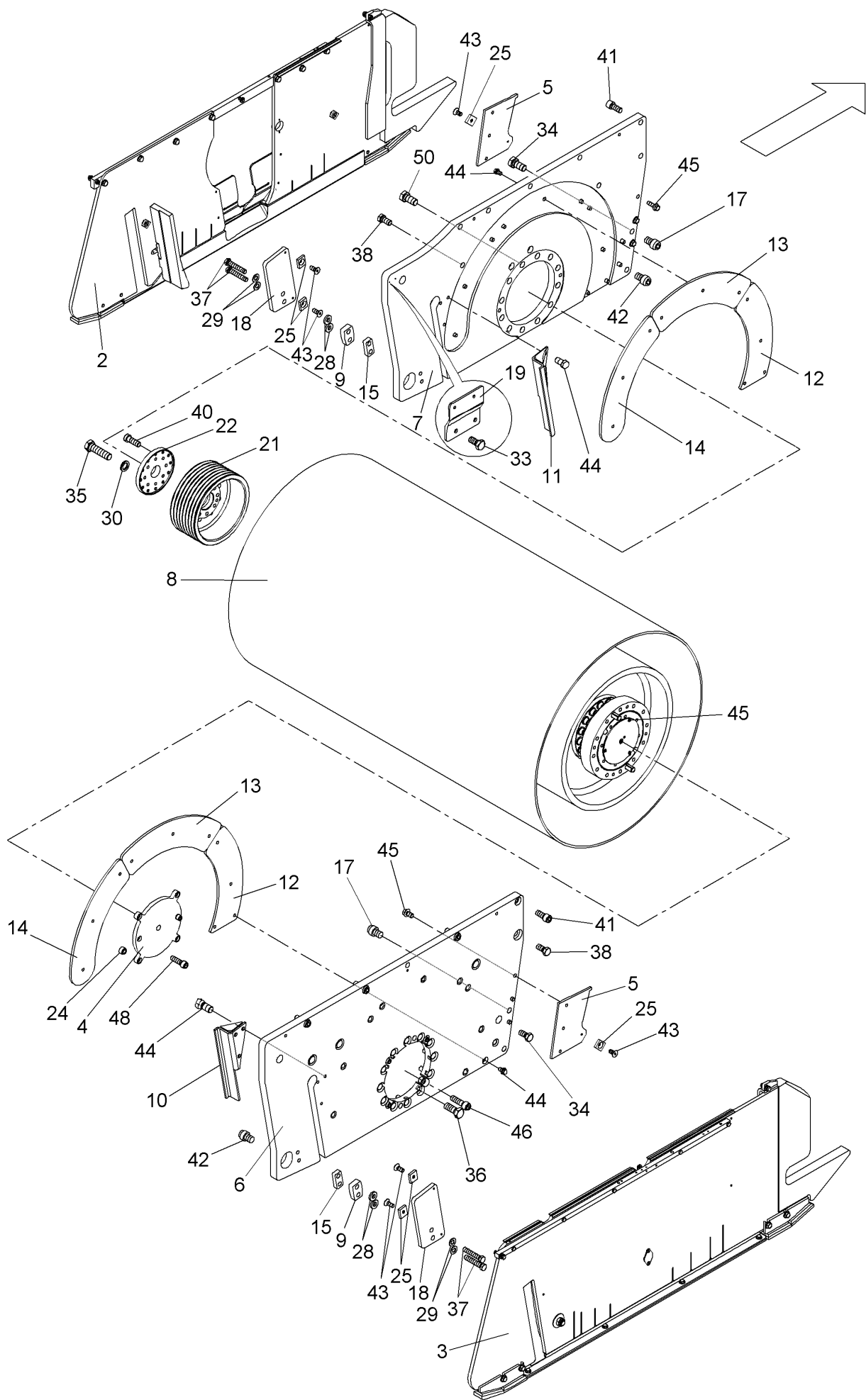
Engine hood, Tank covering, foot room

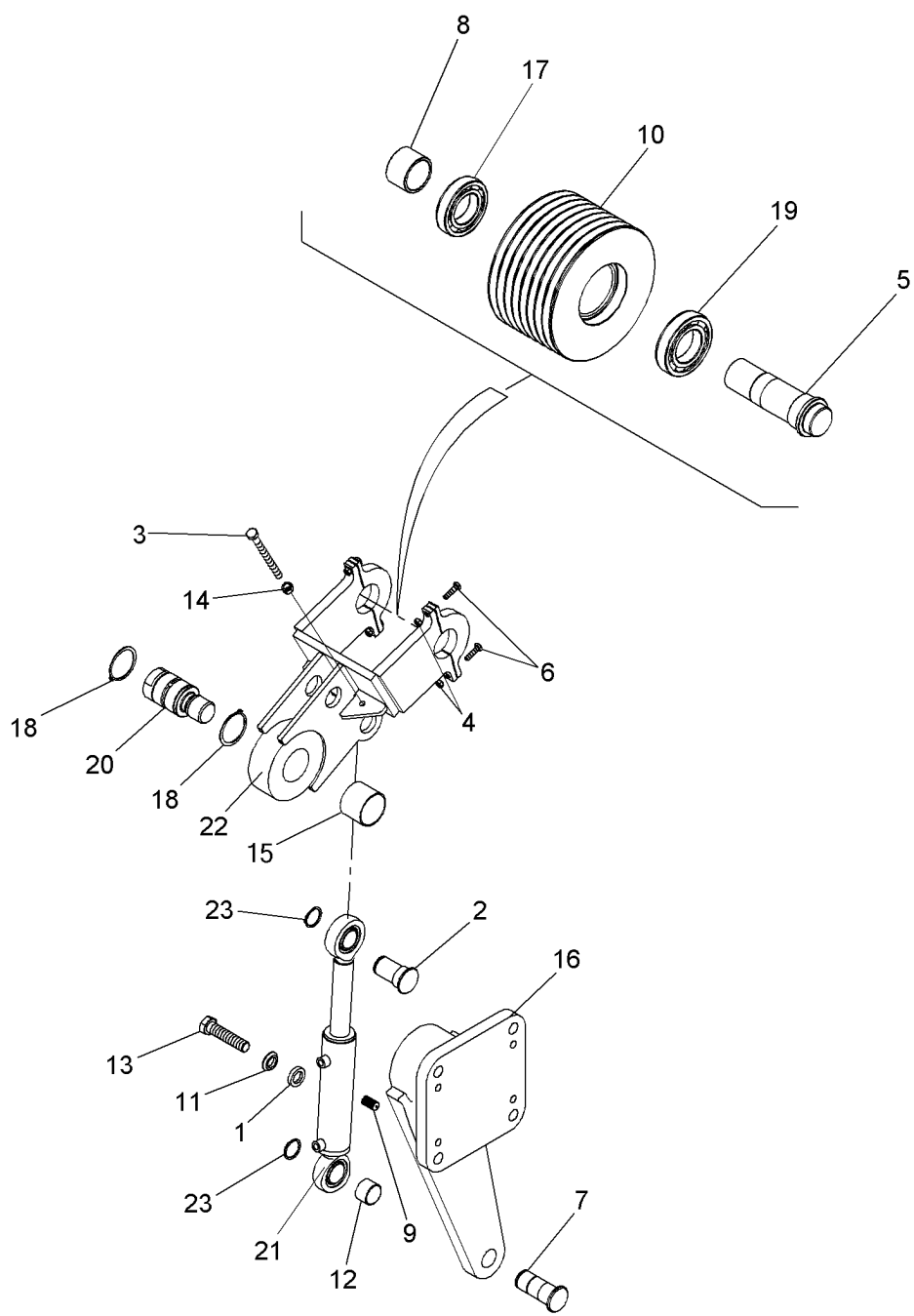
504-01130

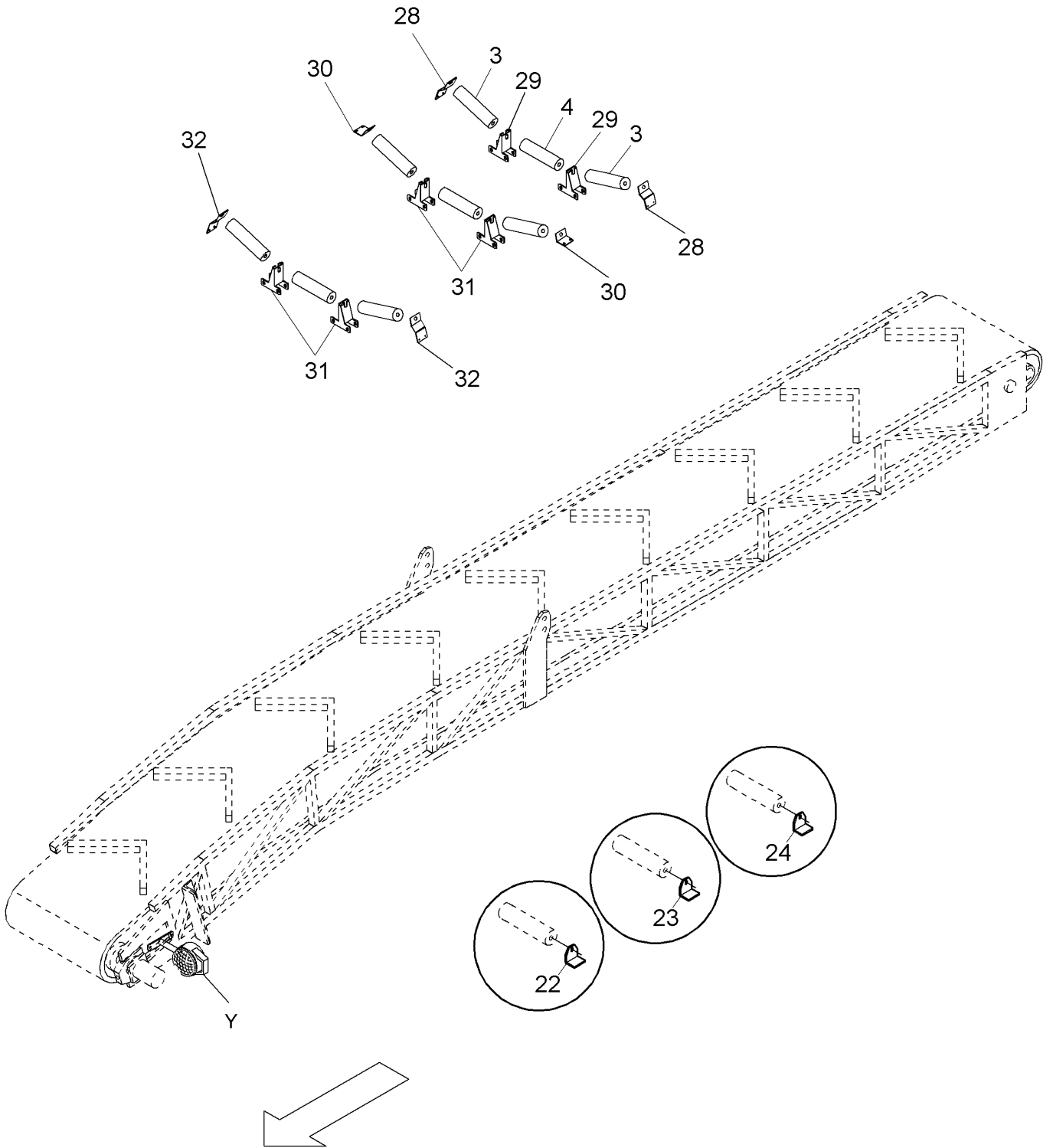
Pos. Item	Best.-Nr. Part No.	Anz. Qty.	Beschreibung Description	Bemerkung Note
1	504010216	1	Holder, right	
2	504010241	1	Holder, left	
3	930300153	2	Bearing support, with axle	
4	504010226	1	Safety grating	
5	930229363	4	Friction bearing with collar	
6	49302463	2	Pneumatic spring	
7	504010239	1	Step, compl.	
8	504010238	1	Step, compl.	
9	504010240	2	Spacer, compl.	
10	930229317	2	Sliding bearing	
11	930135147	2	Bolt	
12	930429013	2	SL-safety	
13	930229365	4	Friction bearing with collar	
14	600004	2	Disc	
15	938500005	2	Nut	
16	600008	2	Disc	
17	938500008	2	Nut	
18	930462914	2	Plug	
19	600009	4	Disc	
20	500012	4	Screw	
21	49900080	4	Screw retention	
22	939776113	16	Locking washer	
23	937930276	16	Cylinder screw	
25	49302463	2	Pneumatic spring	
31	504010202	1	Step	
32	930436370	1	Gib and cotter	
33	504010233	2	Bolt	
34	504010234	2	Locking plate	
35	937930227	2	Screw	
36	938254002	2	Nut	
37	600003	4	Disc	
38	938165494	4	Hex. screw	
39	930229317	2	Sliding bearing	
40	930229366	4	Friction bearing with collar	
41	930229321	2	Sliding bearing	
51	504010198	1	Step	
52	932405052	2	O-ring	
53	937930276	4	Cylinder screw	
54	570005	4	Nut	
61	934804624	2	Fork head	
62	931600654	2	Bolt	
63	504010611	1	Distance holder	
64	570007	2	Hex. nut	
71	504010249	1	Swinging arm, right	
72	504010252	2	Bow	
73	934363206	12	Clamping pieces	

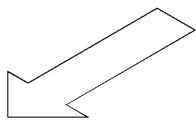
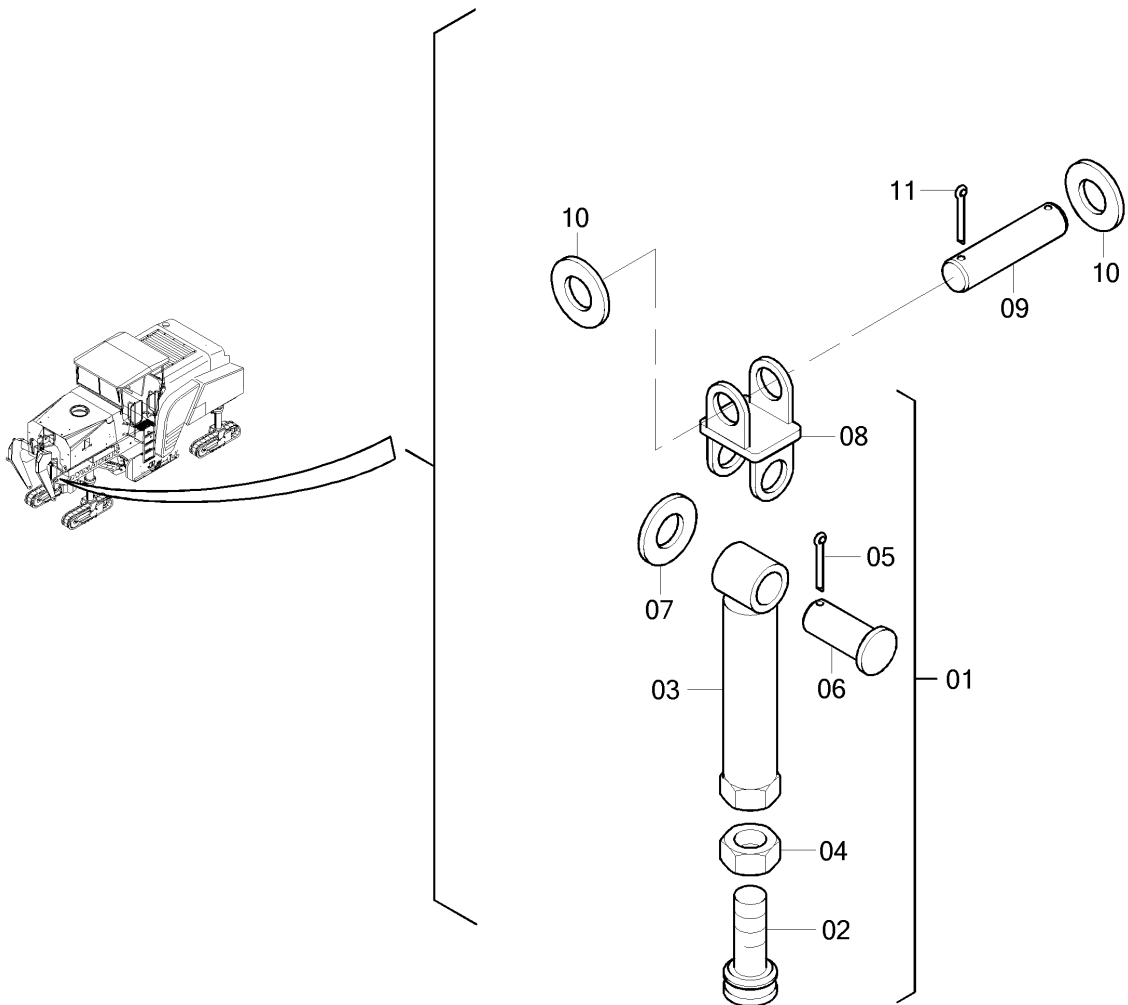
Ascent assy

504-01150



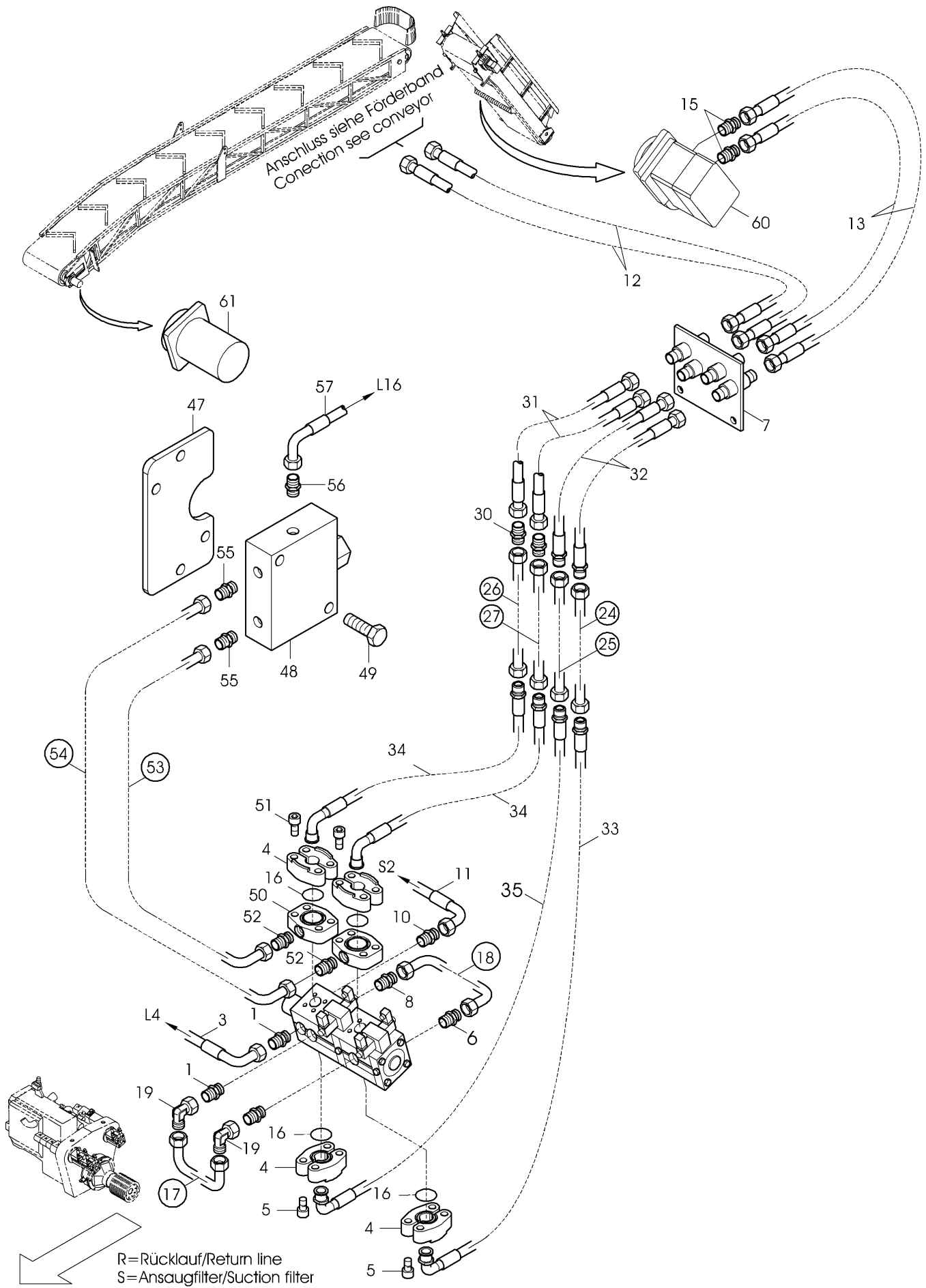






Pos. Item	Best.-Nr. Part No.	Anz. Qty.	Beschreibung Description	Bemerkung Note
1	504-05110	1	Track group	
Track group				

Pos. Item	Best.-Nr. Part No.	Anz. Qty.	Beschreibung Description	Bemerkung Note
	500260123		Exhaust system	
1	930457414	1	HD clip	
2	930440041	1	Silencer	
3	934367018	3	Clip	
4	500260124	1	End pipe	
5	500260120	1	Upper pipe	
6	930044721	1	Weather cap	
7	500260121	1	Elastic pipe	
8	500260122	1	Lower pipe	
			-	15.02.05
Exhaust system				504-06130



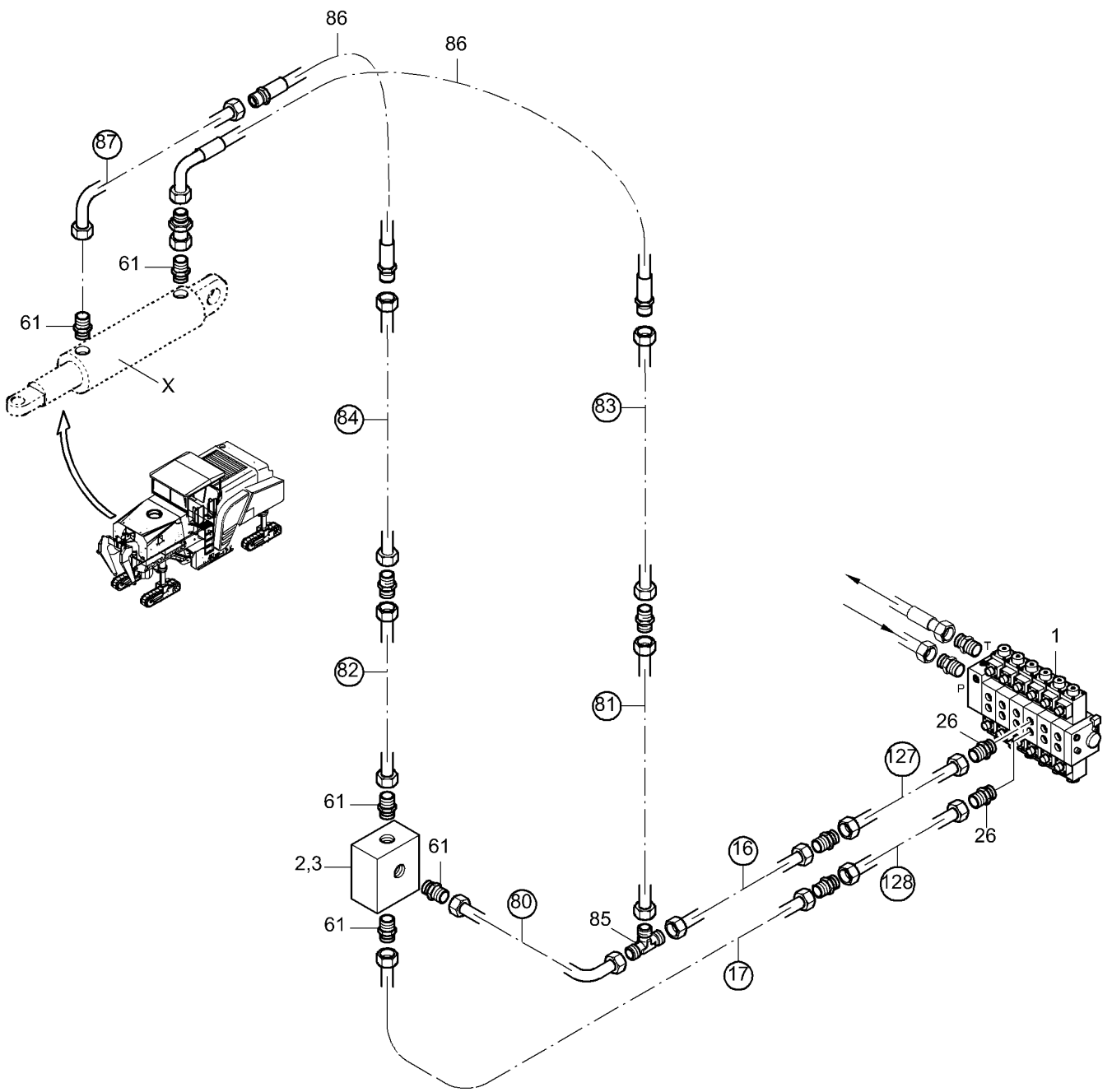
CLICK HERE TO **DOWNLOAD** THE COMPLETE MANUAL

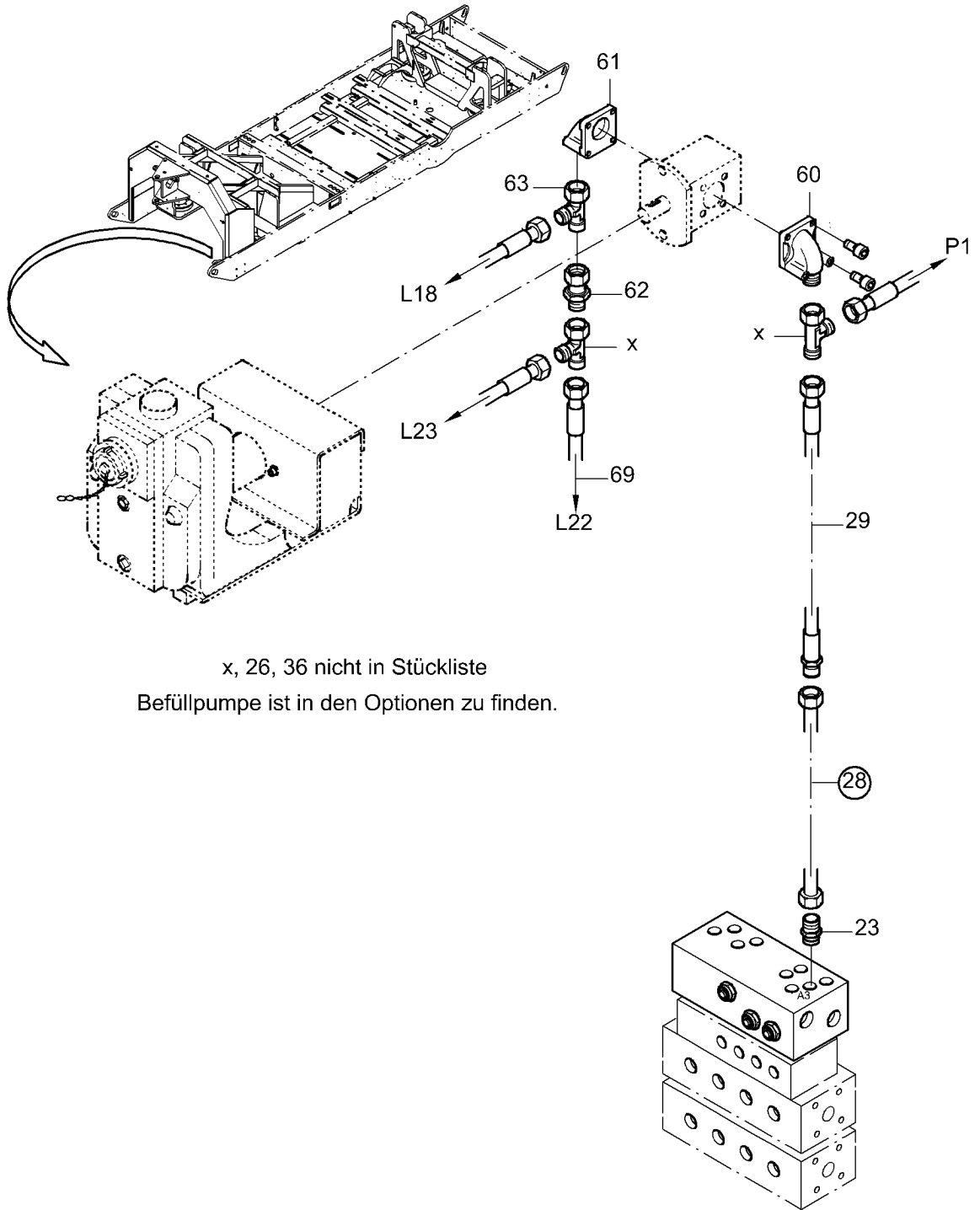
- Thank you very much for reading the preview of the manual.
- You can download the complete manual from: www.heydownloads.com by clicking the link below



- Please note: If there is no response to CLICKING the link, please download this PDF first and then click on it.

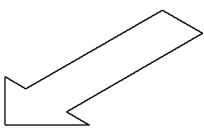
CLICK HERE TO **DOWNLOAD** THE COMPLETE MANUAL

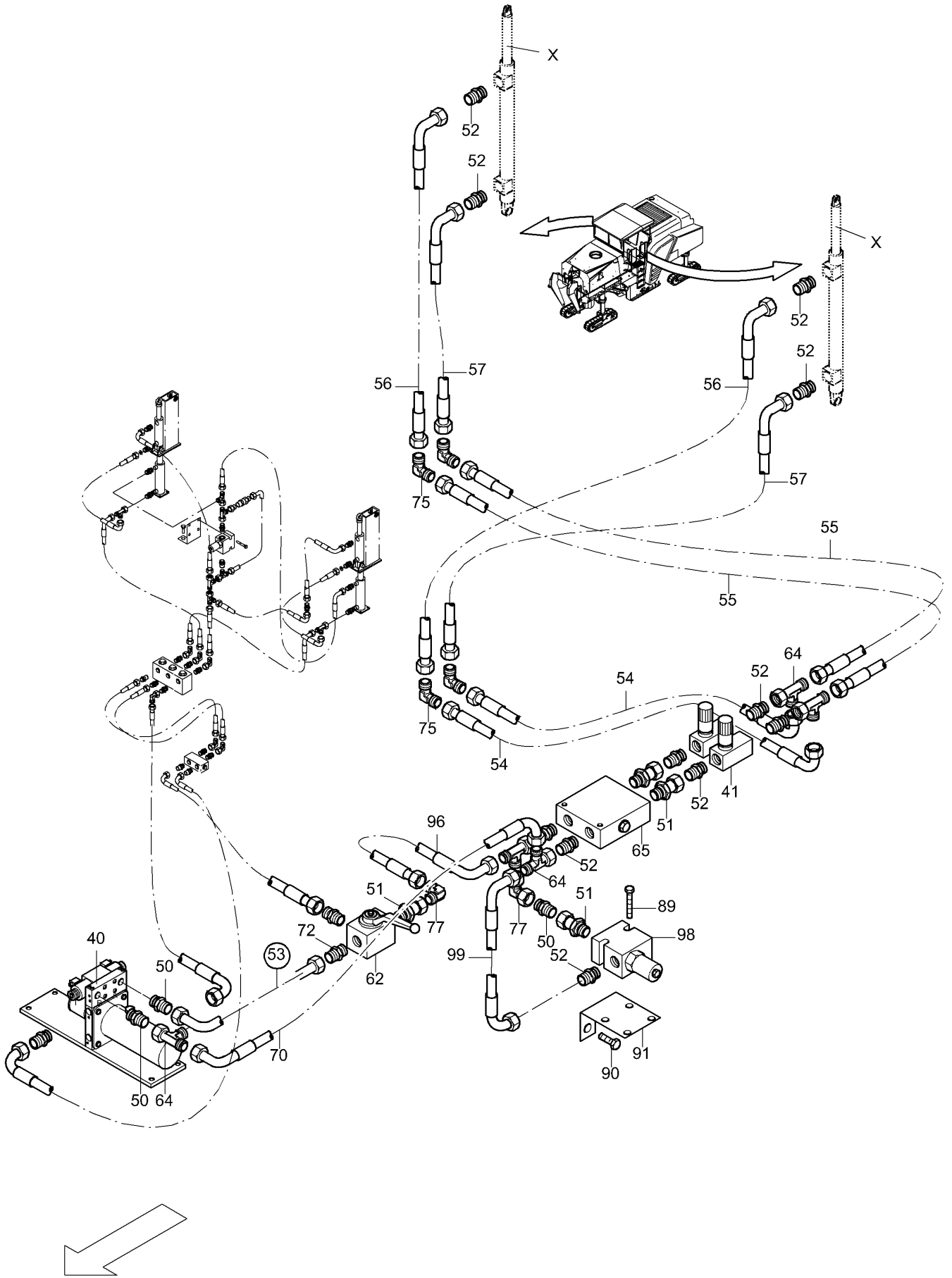




x, 26, 36 nicht in Stückliste
 Befüllpumpe ist in den Optionen zu finden.

R=Rücklauf/Return line
 S=Ansaugfilter/Suction filter





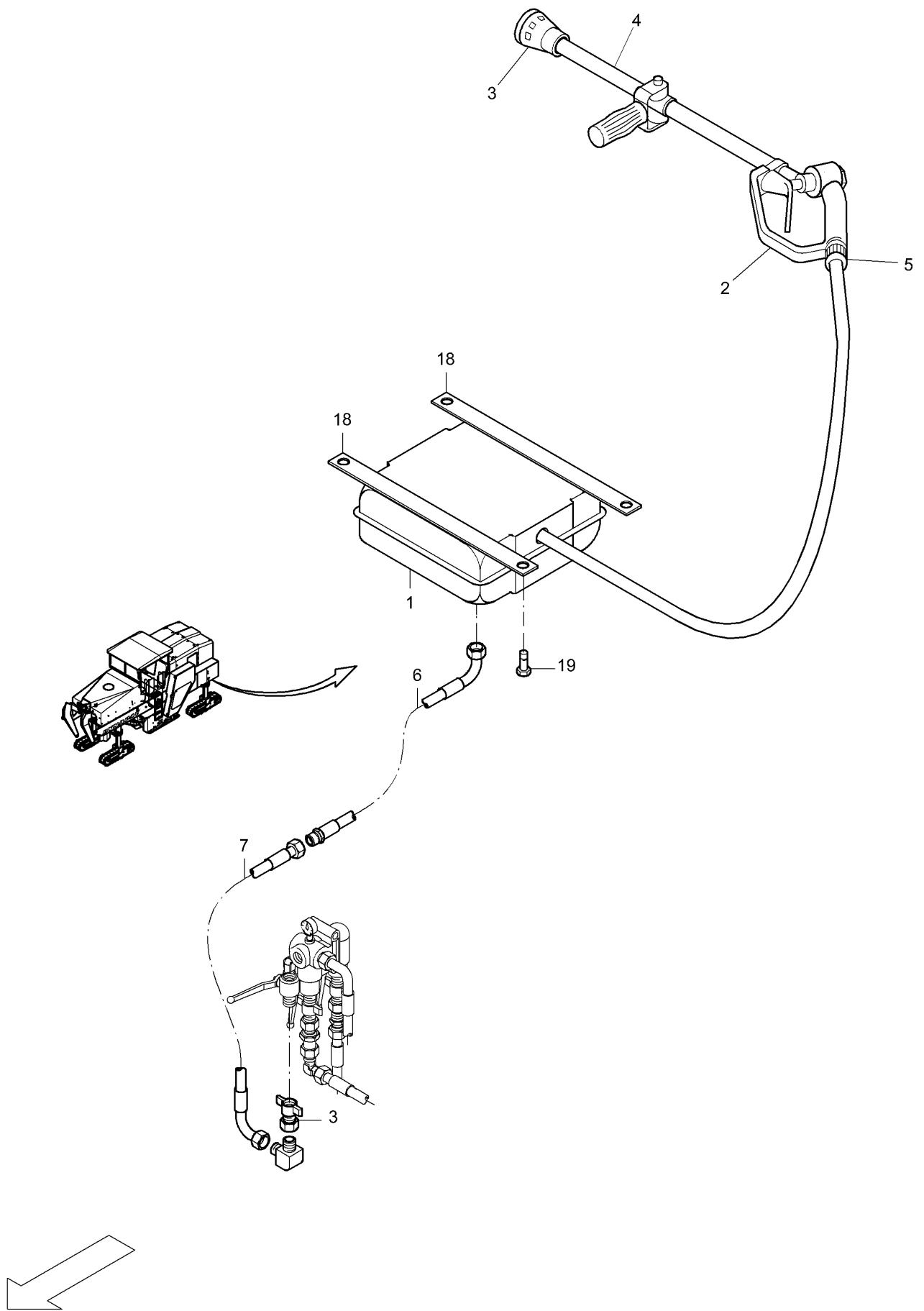
Pos. Item	Best.-Nr. Part No.	Anz. Qty.	Beschreibung Description	Bemerkung Note
65	978016201	2	Electronic module	
66	977704661	1	Flasher unit	
71	504080299	1	Plug	
72	500180284	1	Cover plate	
			—	24.03.05
Clamp box, compl.				504-08100

Pos. Item	Best.-Nr. Part No.	Anz. Qty.	Beschreibung Description	Bemerkung Note
	504080106		Fill pump	
1	977512170	1	Rotary switch	
2	977599024	1	Rubber cap	
			–	31.03.05
Fill pump				504-08116

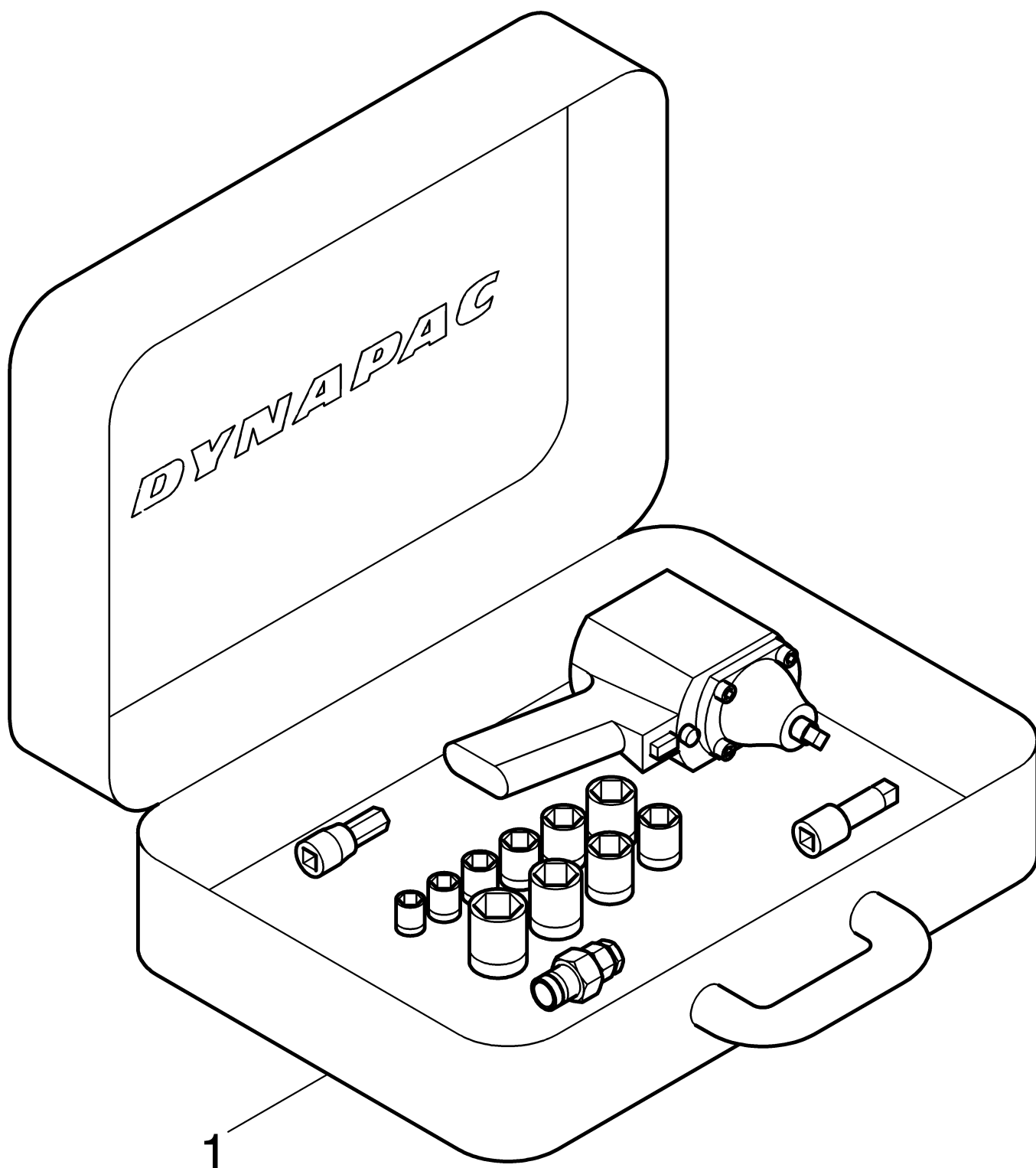
Pos. Item	Best.-Nr. Part No.	Anz. Qty.	Beschreibung Description	Bemerkung Note
	504080113		Hood	
2	977415416	1	SEM-quick connection	
3	977450216	1	Housing	
4	977512516	2	Switch	
5	977512517	1	Holder	
6	977512515	1	Control part	
			–	01.04.05
Hood				504-08123

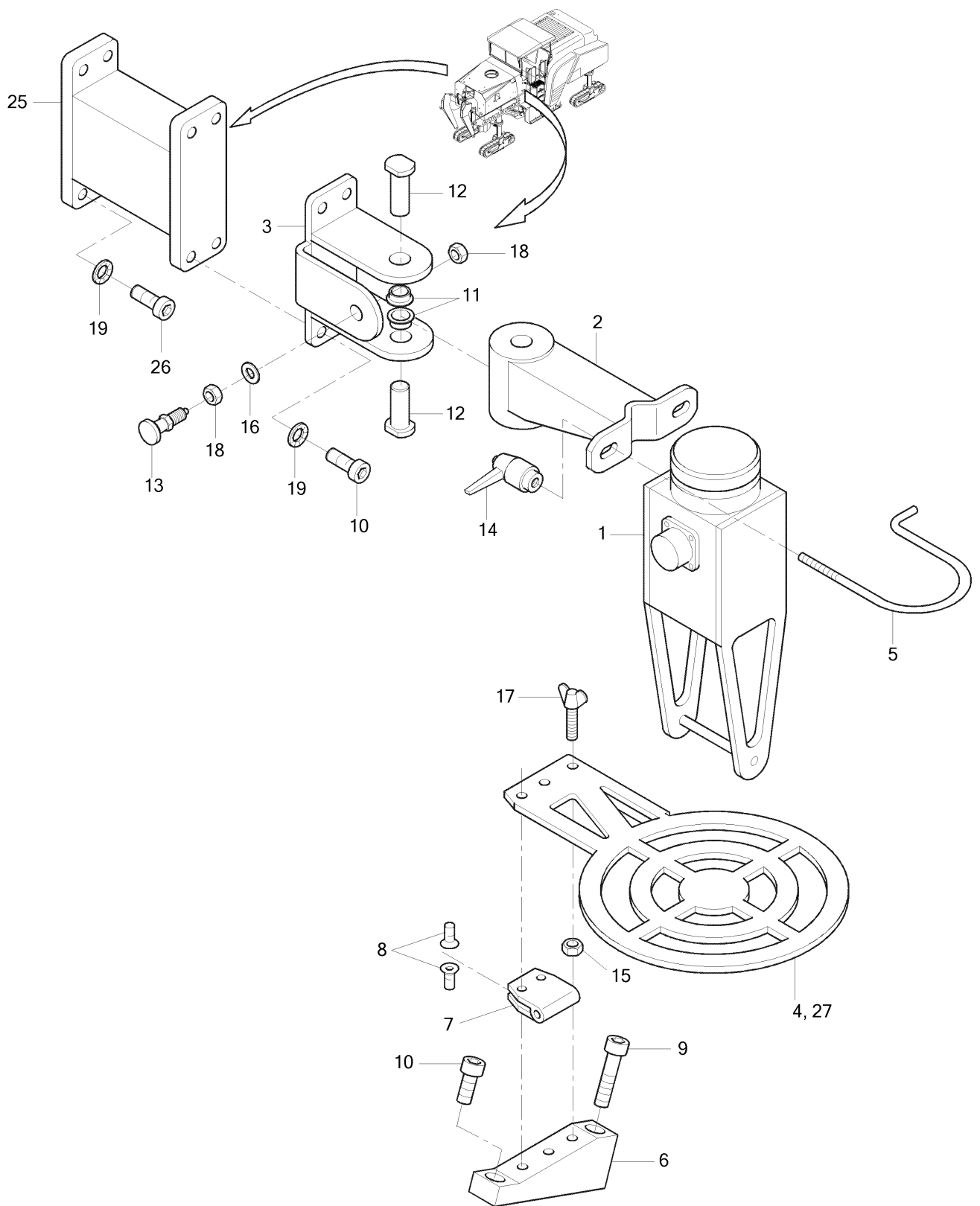
Pos. Item	Best.-Nr. Part No.	Anz. Qty.	Beschreibung Description	Bemerkung Note
1	504080200 978036024	1	Changing TFT display Color display TFT -	MD 3680-2 31.03.05
Changing TFT display				504-08130

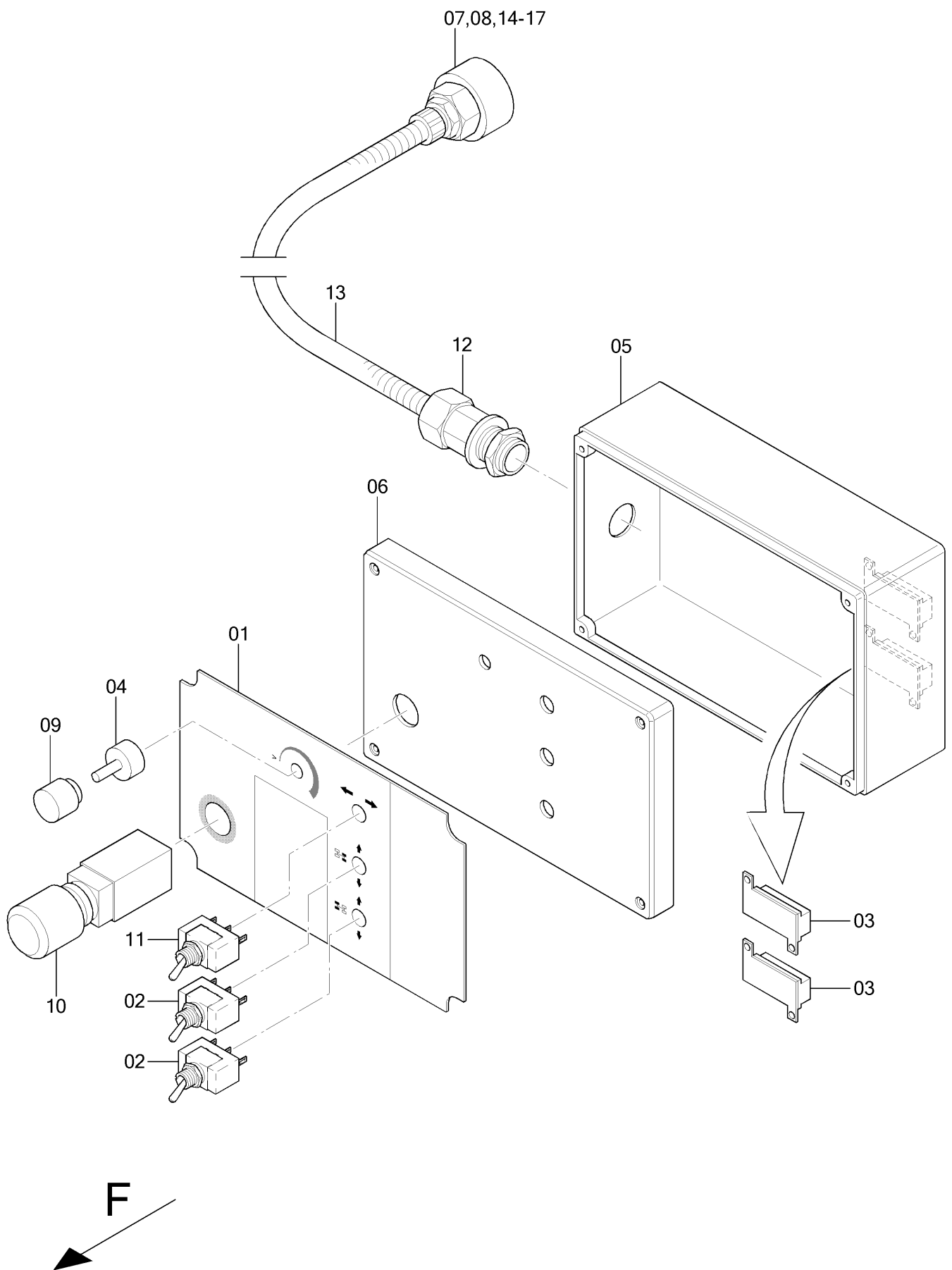
Pos. Item	Best.-Nr. Part No.	Anz. Qty.	Beschreibung Description	Bemerkung Note
	504090001		Water system, compl.	
	504-09100	1	Water system	
	504-09110	1	Water spray equipment	
	504-09150	1	Water tank	
	504-09200	1	Water level	Option
	504-20160	1	Cleaning lance	
			–	15.03.05
Water system, compl.				



Pos. Item	Best.-Nr. Part No.	Anz. Qty.	Beschreibung Description	Bemerkung Note
	663009		GfK roof	
1	500300002	1	Roof	
2	500300111	1	Angle, front right	
3	500300113	1	Angle, front left	
4	500300114	1	Angle, rear right	
5	500300116	1	Angle, rear left	
6	500019	16	Screw	
7	500200111	1	Stop, front left	
8	500200138	1	Stop, front right	
9	500300200	1	Pane, compl.	
10	500200107	2	Disc	
11	500300201	1	Front frame	
12	49100692	2	Wiper motor	
13	49100028	2	Wiper arm	
14	49302624	1	Set wiper blade	
15	39300072	2	Rubber clamp profile	3500 mm
16	39300071	2	Fill profile	
17	903645580	2	Buffer	
18	930280161	1	Seal profile	X m
19	500300153	1	Roof support, rear	
20	500300006	1	Stop, back right	
21	965080265	2	Hydraulic cylinder	
_01	932278303	1	_Sealing kit	
22	500300004	1	Stop, back left	
23	960406051	2	Locking bar	
24	500300123	2	Bolt	
25	500300124	2	Bolt	
26	500300125	2	Bolt	
27	500300126	2	Bolt	
28	500200143	2	Stop angle	
29	938366595	12	Screw	
30	939475275	1	Screw	
31	500018	4	Hex. screw	
32	500048	8	Screw	
33	600006	4	Disc	
34	500200142	2	Bolt	
35	930229362	2	Friction bearing with collar	
36	600011	4	Disc	
37	936790490	8	Split pin	
38	930136733	2	Bushing	
39	600014	4	Disc	
40	936790545	4	Split pin	
41	600008	8	Disc	
42	500234	4	Screw	
43	704130	4	Spring washer	
44	600008	8	Disc	
GfK roof				500-20120







CLICK HERE TO **DOWNLOAD** THE COMPLETE MANUAL

- Thank you very much for reading the preview of the manual.
- You can download the complete manual from: www.heydownloads.com by clicking the link below



- Please note: If there is no response to CLICKING the link, please download this PDF first and then click on it.

CLICK HERE TO **DOWNLOAD** THE COMPLETE MANUAL