

# Parts Catalogue

## F2500WS

### Wheeled paver

Engine: Cummins Tier3 / Stage III

Print Date : 7th Oct 2020



© 2020 Dynapac GmbH

*Your Partner  
on the Road Ahead*

[dynapac.com](https://www.dynapac.com)

CLICK HERE TO **DOWNLOAD** THE COMPLETE MANUAL

- Thank you very much for reading the preview of the manual.
- You can download the complete manual from: [www.heydownloads.com](http://www.heydownloads.com) by clicking the link below



- Please note: If there is no response to CLICKING the link, please download this PDF first and then click on it.

CLICK HERE TO **DOWNLOAD** THE COMPLETE MANUAL

## Chain guide

D635060800A Chain guide ..... See page 15

## Wear part kit conveyor plates

4812238644 Wear part kit conveyor plates, Hardox 400 ..... See page 10

4812238652 Wear part kit conveyor plates ..... See page 11

## Wear part kit conveyor guide plates

4812238491 Wear part kit conveyor guide plates ..... See page 8

4812238624 Wear part kit conveyor guide plates, Hardox 400 ..... See page 9

## Conveyor, double bars

4812071086 Conveyor, double bars ..... 240

## Conveyor drive

4812238494 Conveyor drive ..... See page 219

## Conveyor motor

4812238656 Conveyor motor ..... See page 221

## Conveyor turn

4812029683A Conveyor turn ..... See page 222

## Conveyor limit switch conv. cpl.

4812016243 Conveyor limit switch conv. cpl. .... See page 223

### Conveyor limit switch, lh

4812014274 Conveyor limit switch conv. l.h. .... See page 224

4812236095 Conveyor limit switch conv., l.h. .... See page 226

4812215300 Conveyor limit switch conv. l.h. .... See page 228

### Conveyor limit switch, rh

4812014283 Conveyor limit switch conv. r.h. .... See page 230

4812236096 Conveyor limit switch conv., r.h. .... See page 232

4812201804 Conveyor limit switch conv. r.h. .... See page 234

## Wear part kit conveyot chain

4812029822 Wear part kit conveyor chain ..... See page 13

## Chain guide

D635060800A Chain guide ..... See page 15

## Wear part kit conveyor plates

4812238644 Wear part kit conveyor plates, Hardox 400 ..... See page 10

4812238652 Wear part kit conveyor plates ..... See page 11

## Wear part kit conveyor guide plates

4812238491 Wear part kit conveyor guide plates ..... See page 8

4812238624 Wear part kit conveyor guide plates, Hardox 400 ..... See page 9

## Auger

### 4812233025 Auger Ø380mm, 2,50m

#### Auger Ø380mm, basic width

4812233020 Auger, basic width 380 ..... 250

#### Auger box

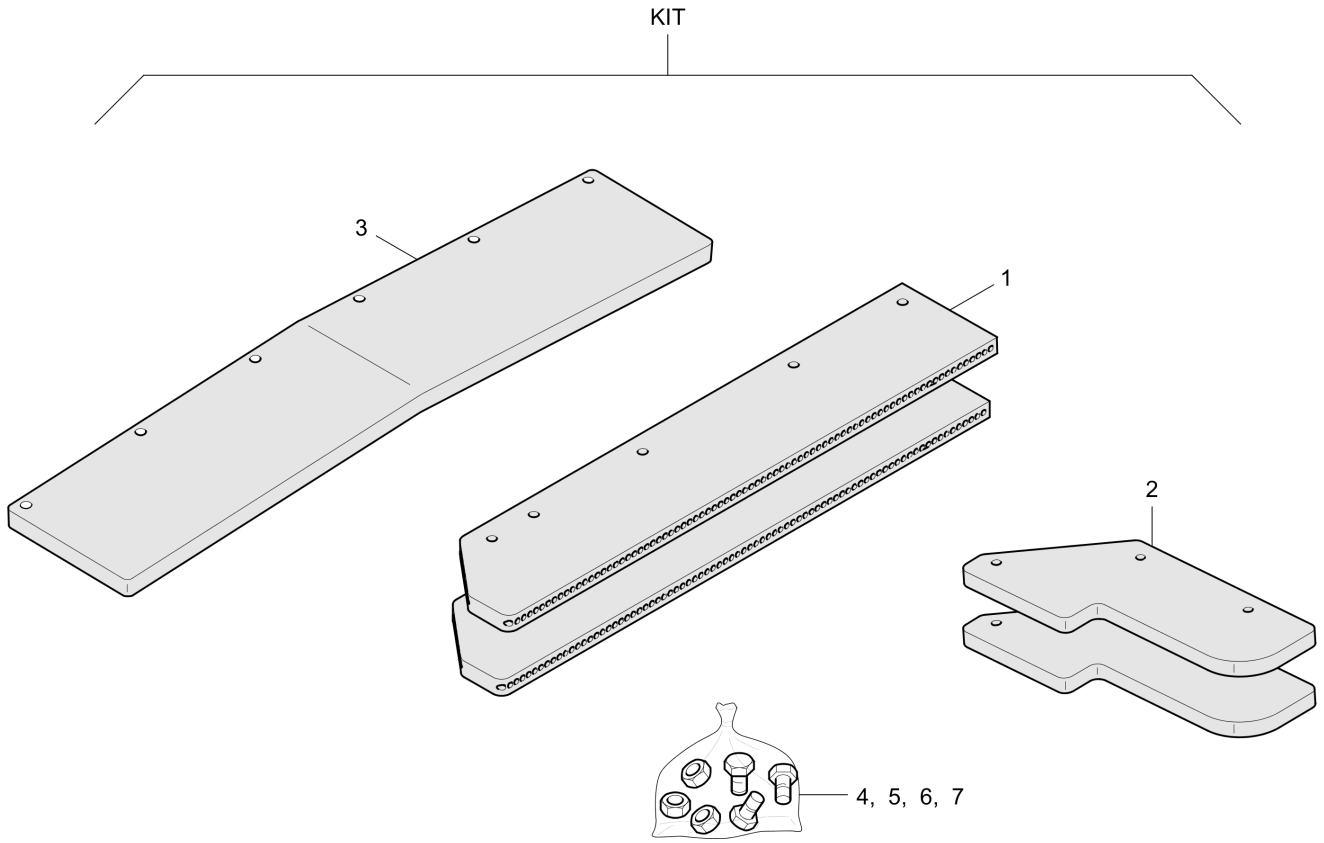
4812232996 Auger box ..... 251

#### Outer support

4812026736 Outer support ..... 253

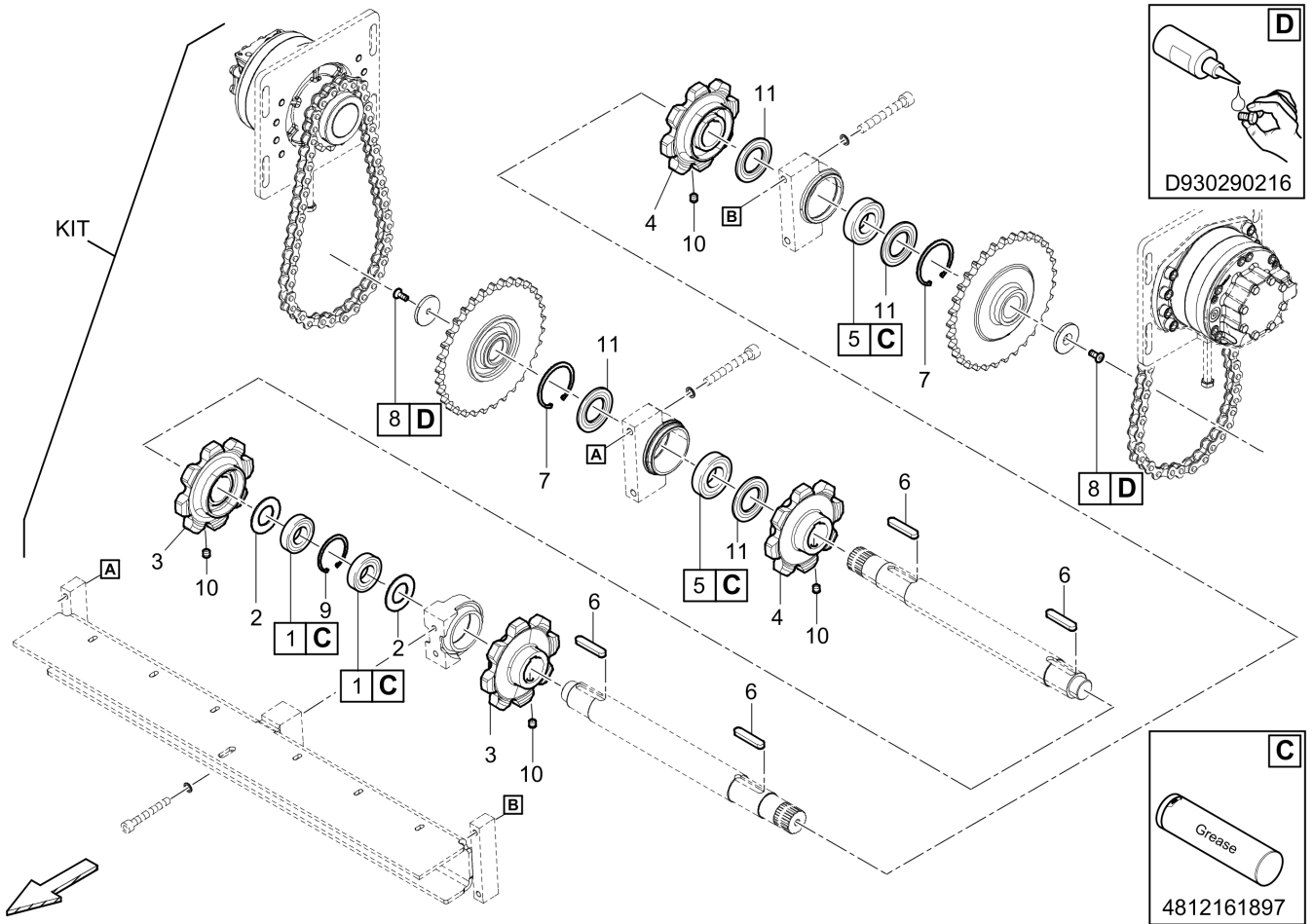
<b>4812035023 Spot light for auger</b>	
4812035023 Spot light for auger . . . . .	504
<b>Spot light</b>	
4812028823 Spot light . . . . .	505
<b>4812016484 Spot light</b>	
4812016484 Spot light . . . . .	506
<b>4812012460 Rotaflare light, con.</b>	
4812012460 Rotaflare light . . . . .	507
<b>Electric rotaflare light</b>	
4812012455 Elektrik rotaflare light . . . . .	508
<b>Slip-on pipe</b>	
4812012450 Slip-on pipe . . . . .	509
<b>Holder for rotaflare light</b>	
4812011482 Holder for rotaflare light . . . . .	510
<b>4812061346 Fire extinguisher</b>	
4812061346 Fire extinguisher . . . . .	511
<b>4812227323 Emulsion spray system</b>	
4812227323 Emulsion spray system . . . . .	512
<b>Tank with pump</b>	
4812227321 Emulsion tank . . . . .	513
4812217815 Emulsion tank . . . . .	515
<b>EI. option</b>	
4812010335 EI. emulsion spray . . . . .	517
<b>EI. emulsion spray</b>	
4812071797 EI. emulsion spray . . . . .	519
<b>Cable</b>	
4812071798 Cable W36 . . . . .	520
4812071650 Adapter cable W74 . . . . .	521
<b>Hose package</b>	
4812227350 Hose package . . . . .	522
4812217384 Spray arm . . . . .	523
<b>4812217813 Sprayer</b>	
4812217813 Sprayer . . . . .	524
<b>Emulsion tank</b>	
4812217815 Emulsion tank . . . . .	See page 515
4812227321 Emulsion tank . . . . .	See page 513
<b>Hose reel</b>	
4812217867 Hose reel . . . . .	526
<b>Spray arm</b>	
4812217384 Spray arm . . . . .	See page 523
<b>Hose reel</b>	
4812216609 Hose reel . . . . .	528
<b>Electric emulsion spray system</b>	
4812010335 EI. emulsion spray . . . . .	See page 517

**Hopper / pushroller kits 4812018441** Wear part kit hopper rubber, standard



Item	Part No.	Name	Qty	L	C	SN INFO
KIT	4812018441	Wear part kit hopper rubber, standard	1			
1	4812227290	Hopper rubber	2			
2	4812227289	Hopper rubber	2			
3	4812030054	Hopper rubber	1			
4	0147140703	Hex. head screw M12 x 60	20			
5	0147140503	Hex. head screw M12 x 50	2			
6	0300013042	Flat washer	16			
7	0301235800	Plain washer	6			

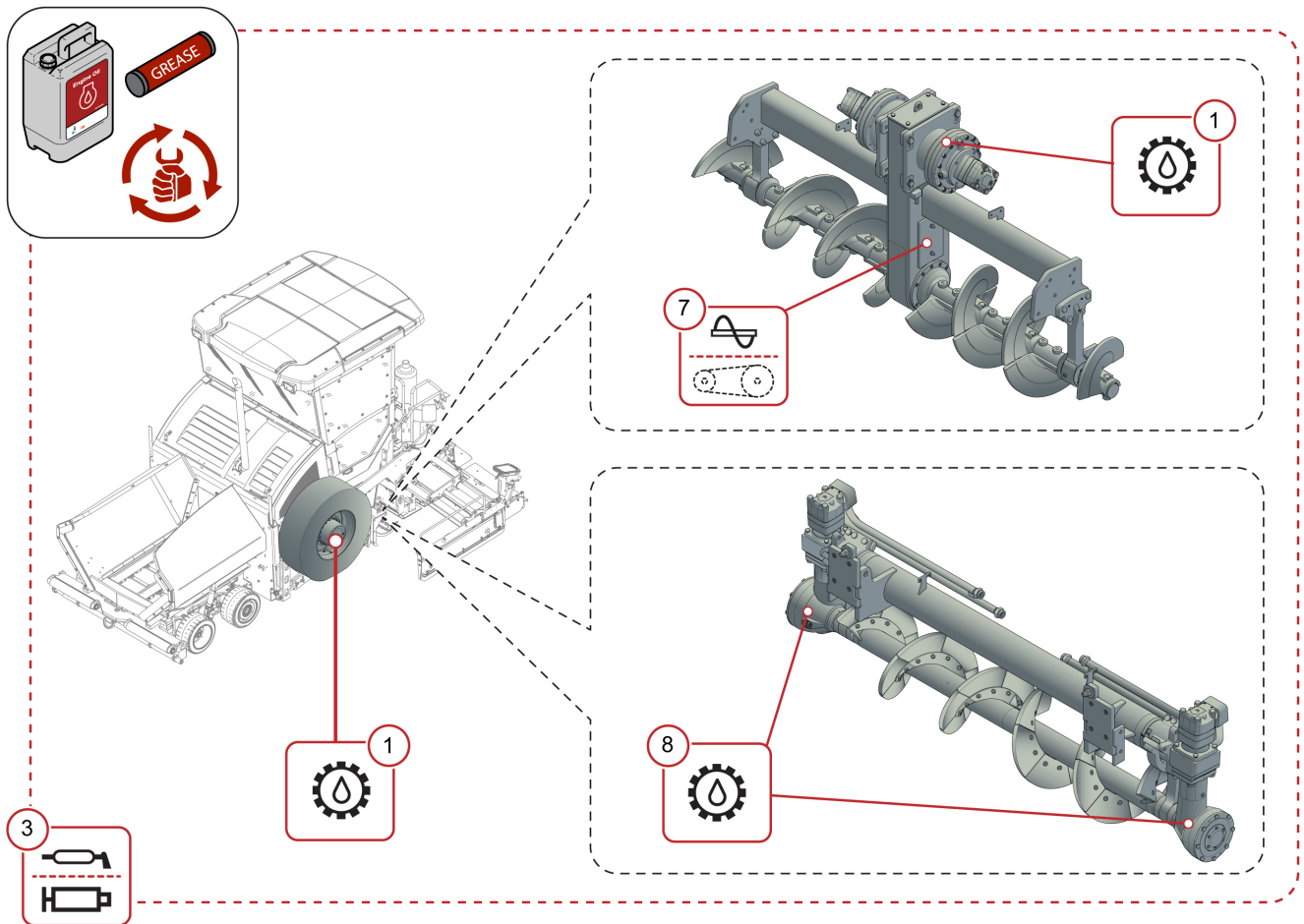
**Conveyor kit 4812071664** Wear part kit conveyor drive



Item	Part No.	Name	Qty	L	C	SN INFO
KIT	4812071664	Wear part kit conveyor drive	1			
1	D935011763	Bearing	2			
2	D932580716	Nilosring	2			
3	4812238067	Sprocket	2			
4	4812238061	Sprocket	2			
5	4749540001	Bearing	2			
6	D931701638	Feather key	4			
7	D936032112	Circlip	2			
8	0216195762	Countersunk screw	2			
9	D936030849	Circlip	1			
10	0196147100	Threaded pin	4			
11	D932580860	Nilosring	4			

Refer to Parts Online for the most up to date information. The printed information might be outdated.

Wed Oct 07 05:40:16 UTC 2020



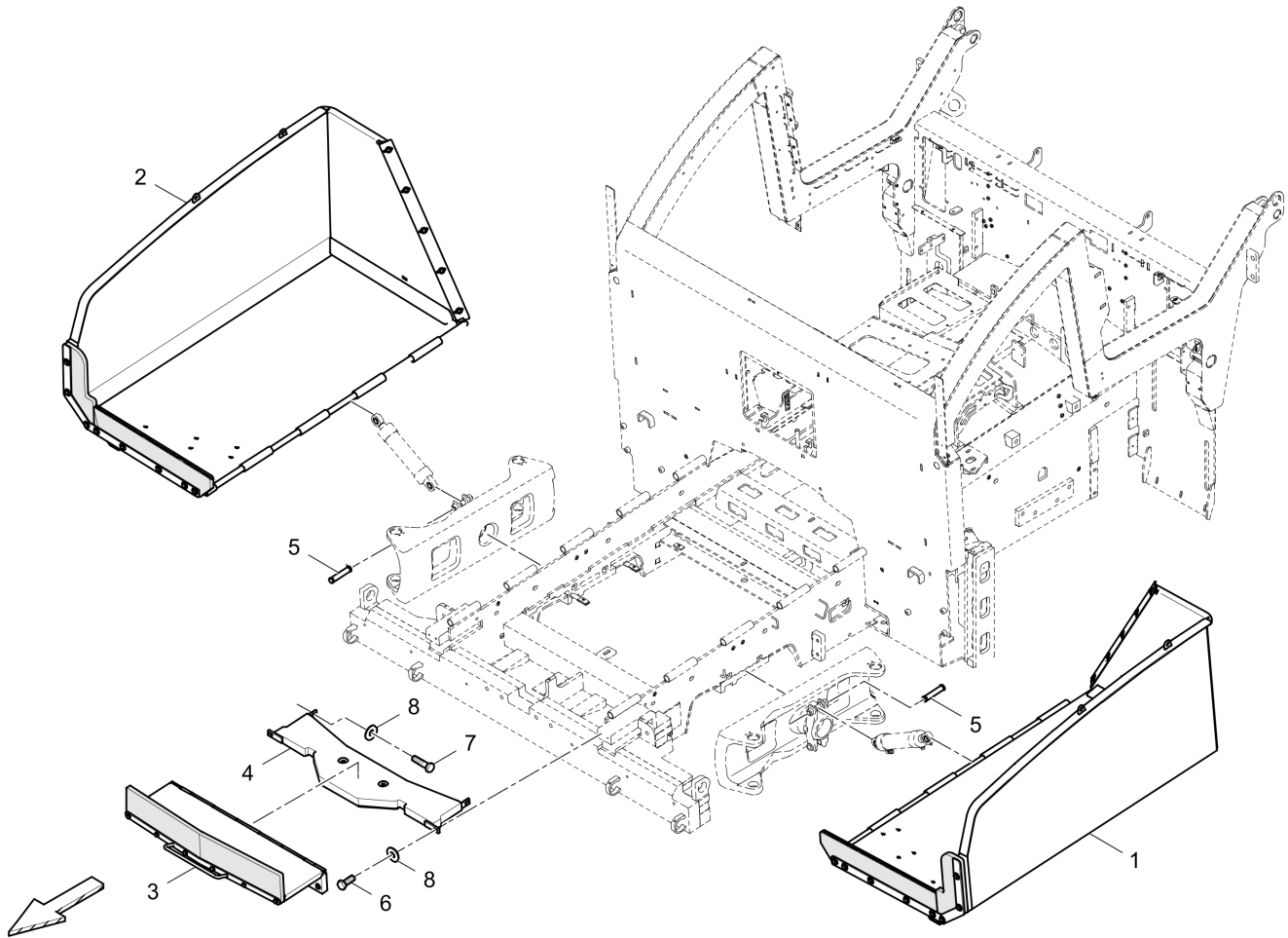
Item	Part No.	Name	Qty	L	C	SN INFO
1	4812161875	Dynapac Gear oil 100, 5 ltr.	1			
1	4812161876	Dynapac Gear oil 100, 20 ltr.	1			
2	4812161895	Dynapac Gear oil 400, 1 ltr.	1			
2	4812161896	Dynapac Gear oil 400, 20 ltr.	1			
3	4812161897	Paver Grease / 1 cartridge	1			
3	4812161898	Dynapac Paver Grease / 12 cartridges	1			
4	4812163290	Dynapac Coolant 200, 25ltr.	1			
5	4812161864	Dynapac Hydraulic 100 / 20 ltr.	1			
5	4812161865	Dynapac Hydraulic 100 / 209 ltr.	1			
5	4812161872	Dynapac Hydraulic 120 / 20 ltr.	1			
5	4812161873	Dynapac Hydraulic 120 / 209 ltr.	1			
6	4812161855	Dynapac engine oil 200 / 5 ltrs.	1			
6	4812161856	Dynapac Engine Oil 200, 20 ltr.	1			
6	4812161857	Dynapac Engine Oil 200, 209 ltr.	1			
7	D956921604	Chainoil / 5 ltr.	1			
7	4812025107	Chainoil / 20 ltr.	1			
8	4812025022	Oil 20 ltr.	1			

Refer to Parts Online for the most up to date information. The printed information might be outdated.

Wed Oct 07 05:41:15 UTC 2020

Item	Part No.	Name	Qty	L	C	SN INFO
26	4812001406	Circlip	2			
27	4812073193	Circlip	2			
28	4812073192	Circlip	1			
29	4812161897	Paver Grease / 1 cartridge	1			

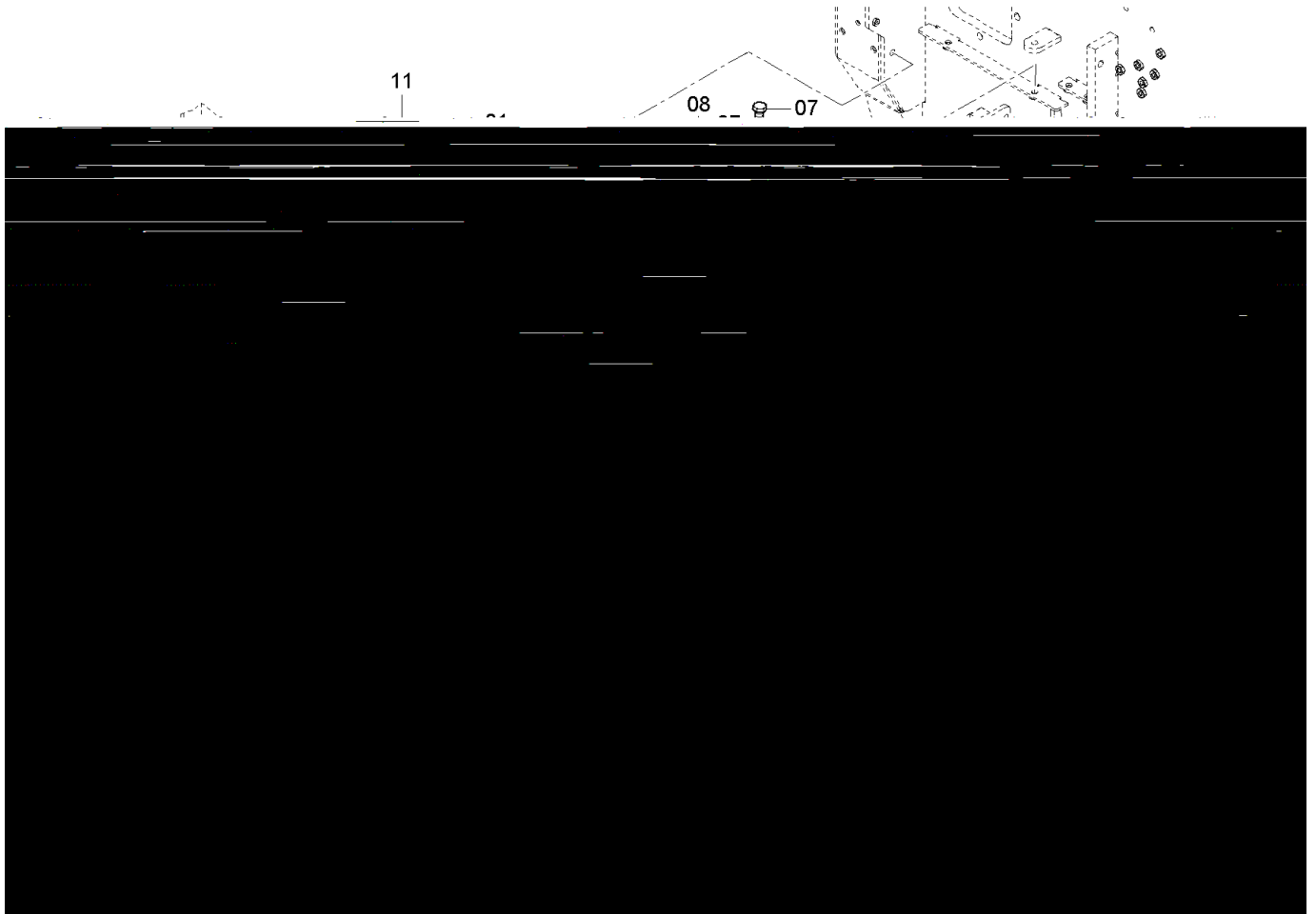
Item	Part No.	Name	Qty	L	C	SN INFO
26	D935511110	Grease nipple	1			
27	4812061689	Adjusting screw	1			
28	4812073193	Circlip	2			
29	4812073192	Circlip	1			
30	4812001406	Circlip	2			
31	4812073189	Circlip	1			
32	4812161897	Paver Grease / 1 cartridge	1			

**4812229214 Hopper, Bulk material flap 4812229214 Hopper with bulk mat. flap**

Item	Part No.	Name	Qty	L	C	SN INFO
1	4812229135	Hopper, l.h.	1			
2	4812229130	Hopper, r.h.	1			
3	4812018985	Bulk material flap	1			
4	4812030259	Auxiliary weight	1			
5	4812033328	Mounting parts	1			
6	0147140103	Screw	2			
7	0147140403	Hex. head screw M12 x 45	2			
8	D939515032	Washer	4			

Refer to Parts Online for the most up to date information. The printed information might be outdated.

Wed Oct 07 05:42:41 UTC 2020

**Wheel cover 4812031407A** Wheel cover

Item	Part No.	Name	Qty	L	C	SN INFO
1	4812035315	Wheel cover r.h.	1			
2	4812044098	Wheel cover l.h.	1			
3	4812006287	Retainer, r.h.	1			
4	4812031589	Retainer, l.h.	1			
6	4812041265	Retainer, l.h.	1			
7	0147136203	Hex.bolt M10x25	8			
8	4812027063	Washer	8			
9	0147132203	Hexagon head screw	12			
10	D939505038	Washer	12			
11	D930235493	Profiled joint x m	2,6			
12	4812044097	Extension l.h.	1			
13	4812043109	Extension r.h.	1			

Refer to Parts Online for the most up to date information. The printed information might be outdated.

Wed Oct 07 05:43:16 UTC 2020

Item	Part No.	Name	Qty	L	C	SN INFO
18	4812227040	Gas spring	2			
19	0147196264	Bolt	2			
20	4812034561	Distance bushing	2			
22	4812032847	Lock	1			
23	D939505023	Washer	2			
24	0147132203	Hexagon head screw	2			
25	0211132903	Hex sock. screw	1			
26	0301233500	Plain washer	3			
27	0266211000	Hexagon nut	2			

---

Referenced Pages

4812225685 Hood support ..... 64

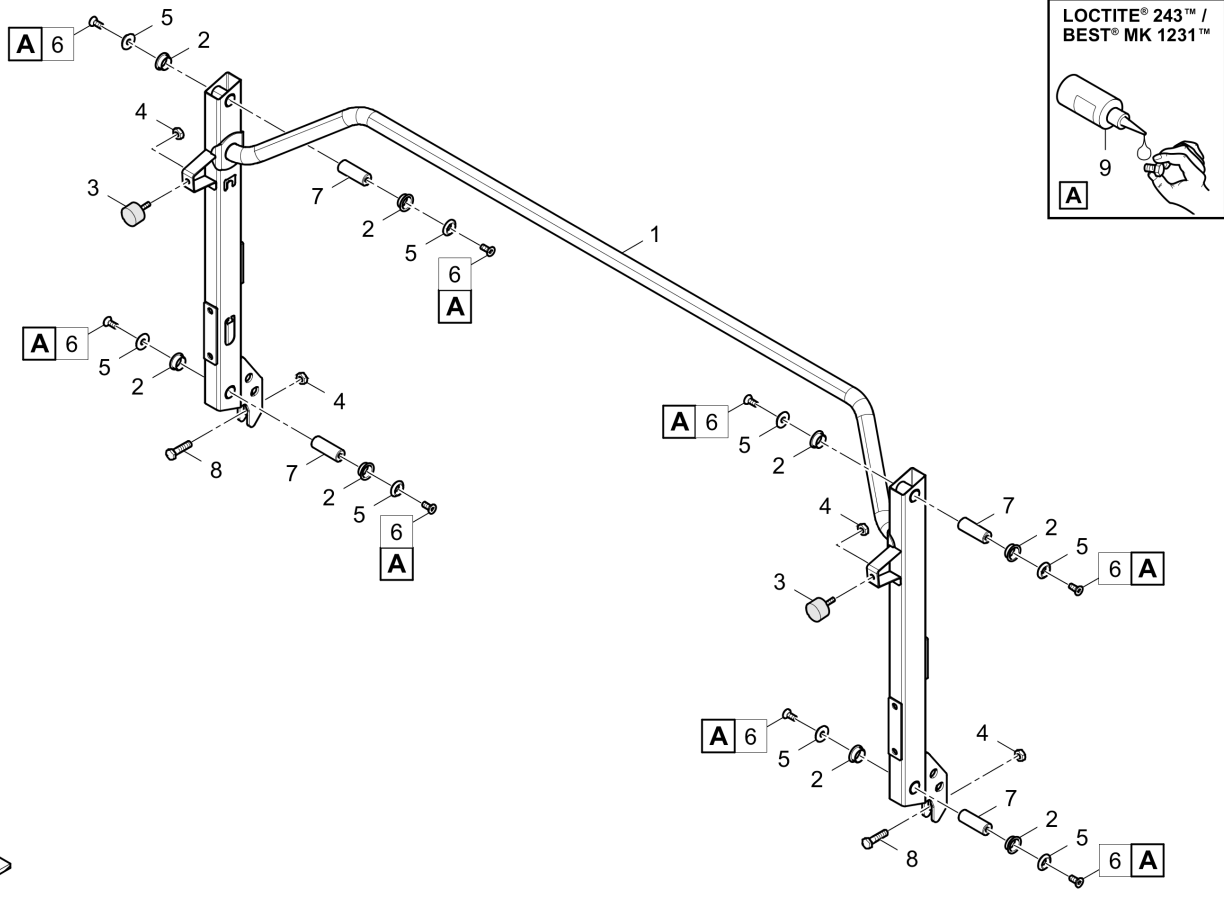
---

Referenced Pages

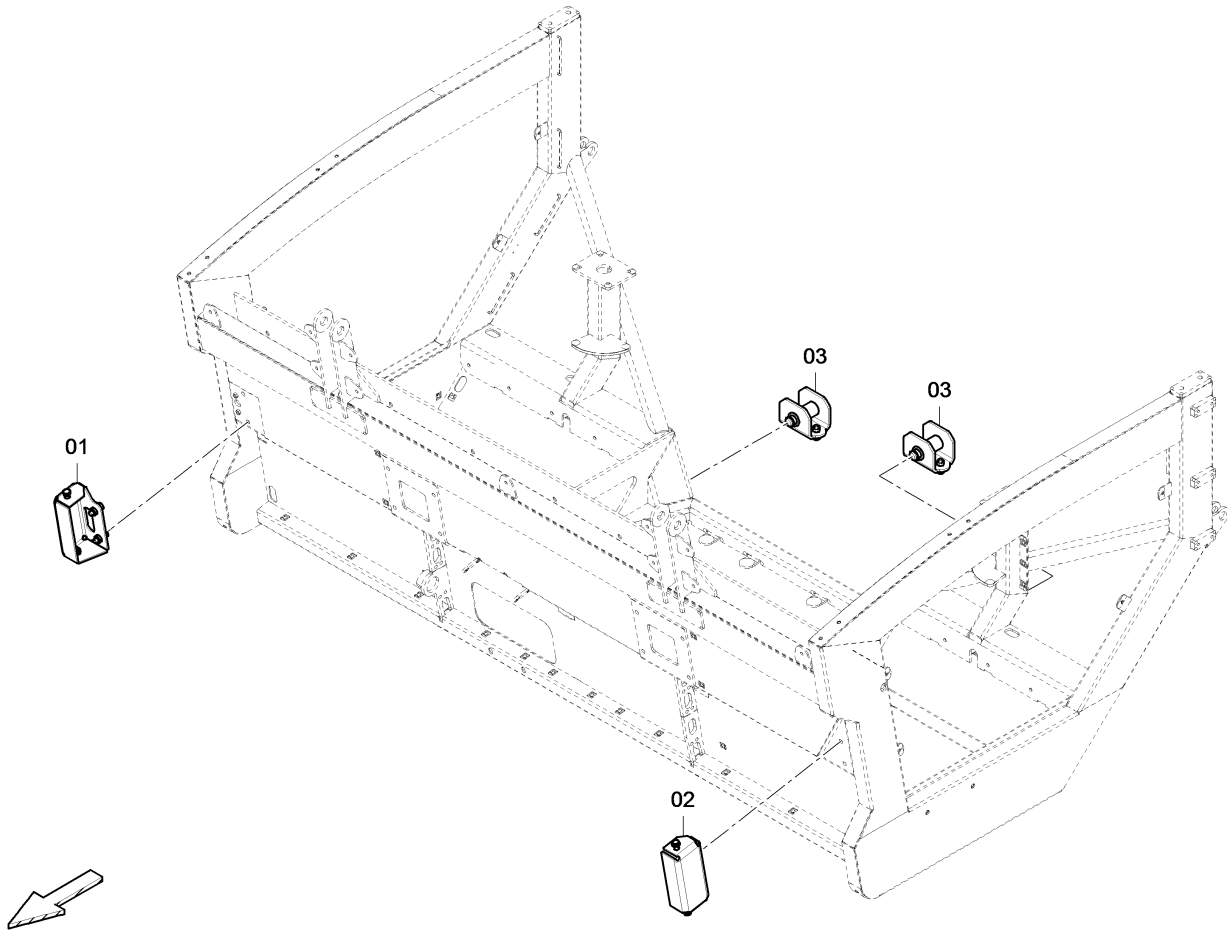
4812074444 Hood, r.h. .... 75

Item	Part No.	Name	Qty	L	C	SN INFO
18	4812225474	Roof frame front	1			
19	4812239346	Platform	1			
20	4812226856	Crash protection front	1			
21	4812239580	Umbrella roof	1			
22	4812229224	Locking	2			
23	4812227774	Bushing	2			
24	0147148503	Hex bolt	2			
25	0301237800	Plain washer(A) 17 x 30 x 3	6			
26	5730007656	Hexagon nut	2			
27	4812007101	Fold away step r.h.	1			
28	4812007102	Fold away step l.h.	1			
29	0333310045	Schnorr-lock washer	2			
30	4812011340	Rubber buffer	2			
31	0147124603	Screw	2			
32	4812044703	Socket	1			
33	4812008270	Sticker	1			
34	D977389122	Clamp	30			
35	0226334317	Tapping screw	30			
36	4812217152	Cable W94	1			
37	D930462919	Plug	4			

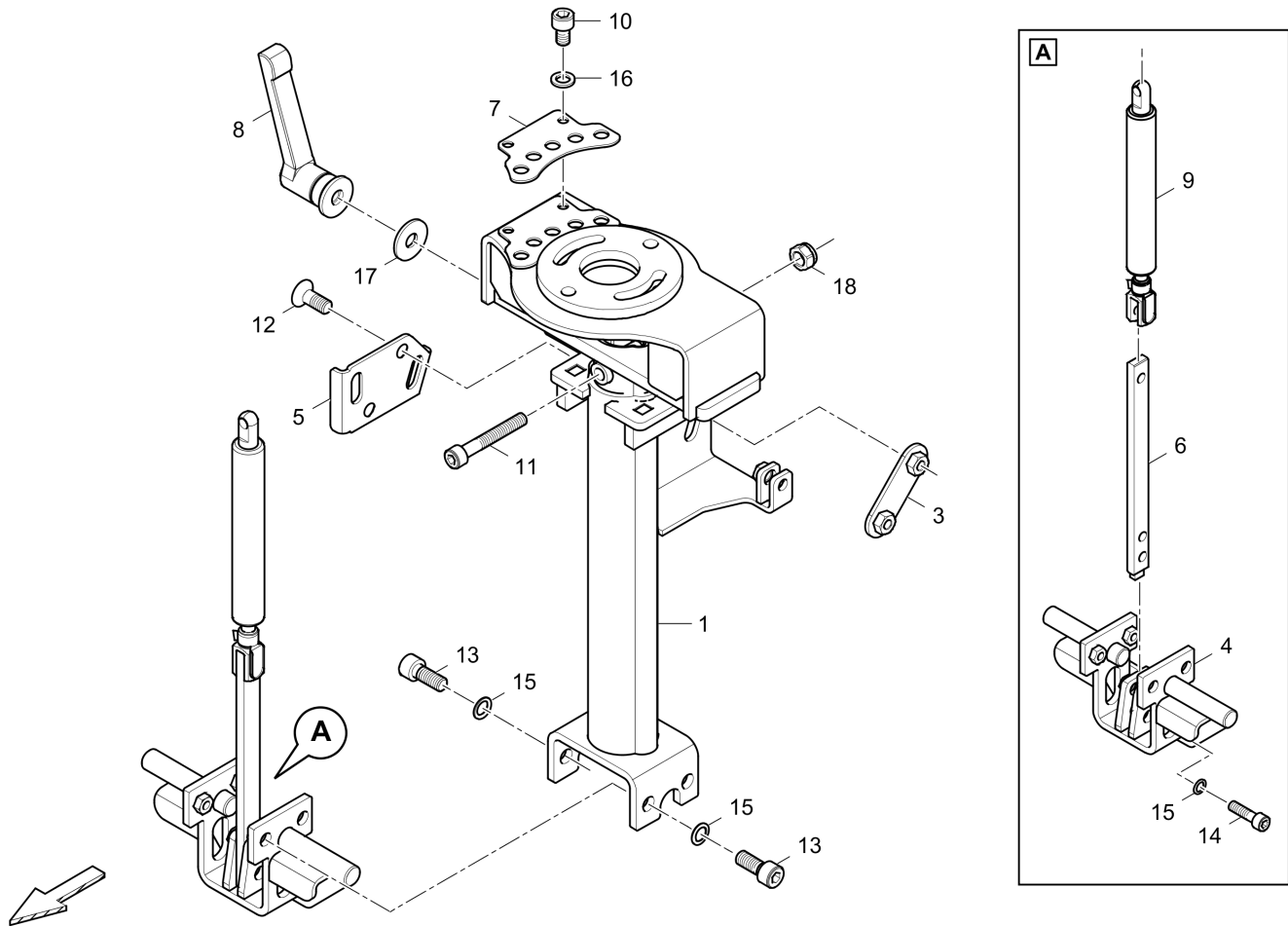
**Platform 4812239346 Platform**



Item	Part No.	Name	Qty	L	C	SN INFO
1	4812060096	Roof frame	1			
2	D930136815	Bushing	8			
3	4812036939	Rubber buffer	2			
4	0266211100	Nut hexagon	4			
5	4812040328	Washer	8			
6	0216195773	Countersunk screw	8			
7	4812040326	Axle	4			
8	0147196264	Bolt	2			
9	4747400034	Thread locking, 250ml	1			

**Holding device 4812005104 Holding device**

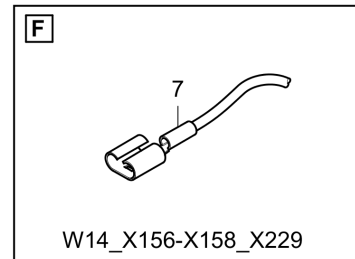
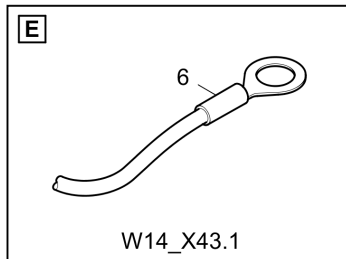
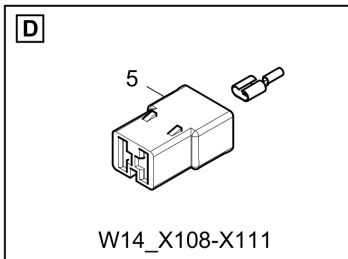
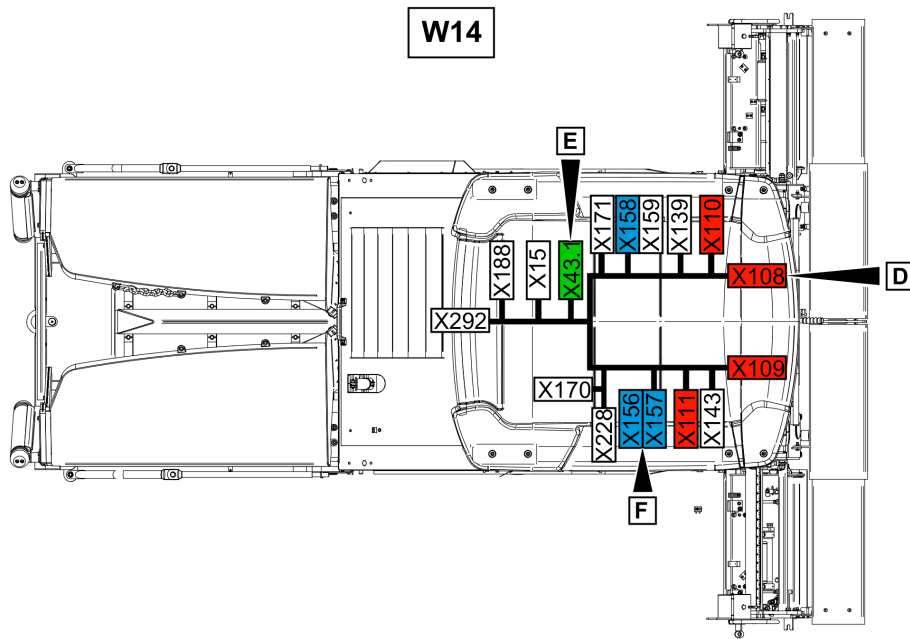
Item	Part No.	Name	Qty	L	C	SN INFO
1	4812006204	Adapte, front r.h.	1			
2	4812006203	Adapte, front l.h.	1			
3	4812006206	Adapter, back	2			

**Clamping lever** 4812227100 Clamping lever

Item	Part No.	Name	Qty	L	C	SN INFO
1	4812228437	Telescopic pipe set	1			
3	4812007654	Clamping plate	1			
4	4812227004	Bearing levers	1			
5	4812007272	Plate	1			
6	4812227030	Lever	1			
7	4812007153	Plate	1			
8	D930290331	Clamping lever	1			
9	4812005200	Pneumatic spring	1			
10	0211124303	Screw M6x10 ISO 4762	2			
11	0211196513	Hexagon socket head cap screw	1			
12	0216195748	Hex.sock.screw	2			
13	0211132303	Hex. socket screw	4			
14	0211132603	Hex. sock. screw	2			
15	0333310036	Schnorr-lock washer	7			
16	0333310045	Schnorr-lock washer	2			
17	0302127405	Washer	1			

Refer to Parts Online for the most up to date information. The printed information might be outdated.

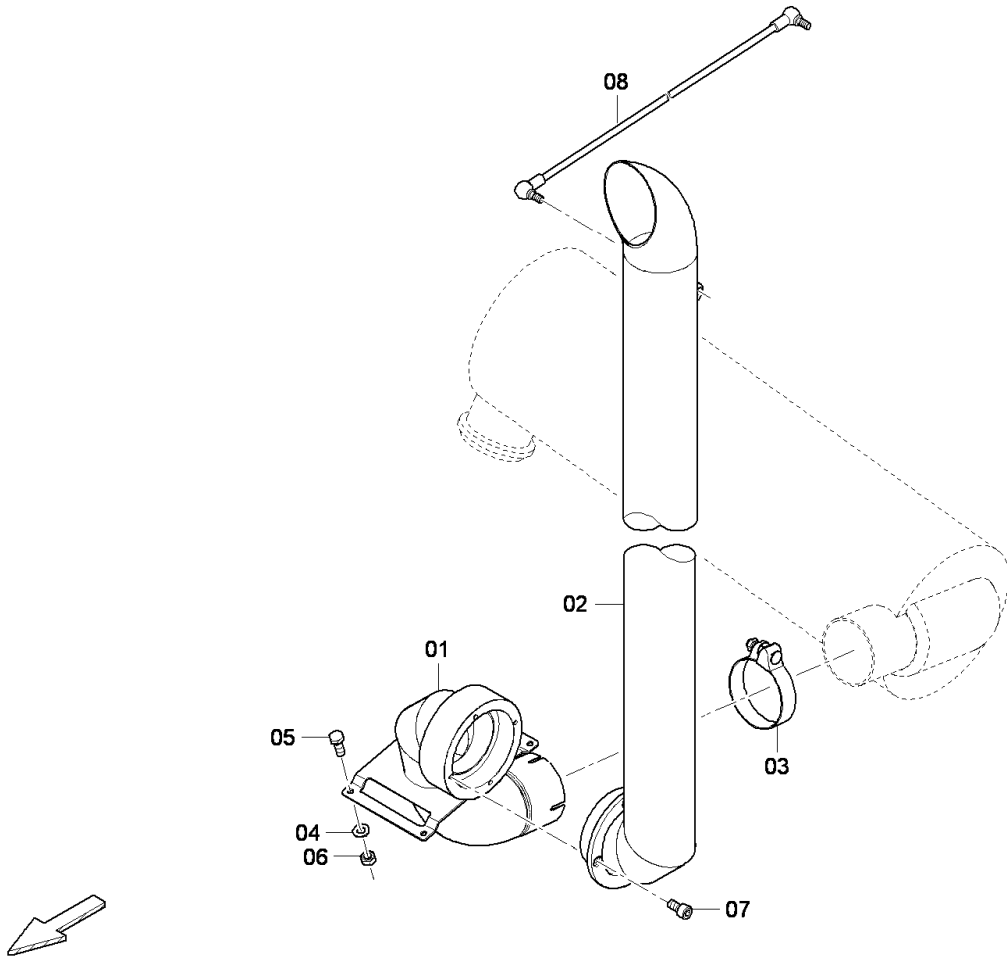
Wed Oct 07 05:46:31 UTC 2020



Item	Part No.	Name	Qty	L	C	SN INFO
17	4812073609	Rope clamp	1			
18	0301232100	Plain washer	2			
19	0291118507	Nut	2			
20	4812034737	Clasp	2			
21	0291118802	Hexagon nut	4			
22	0226991529	Flat head screw	2			
23	4812073458	Draw spring	1			
24	4812040367	Locking bar	1			
25	0147132912	Hex bolt	2			
26	D937181123	Nut	1			
27	D977392034	Wire end ferrule	1			

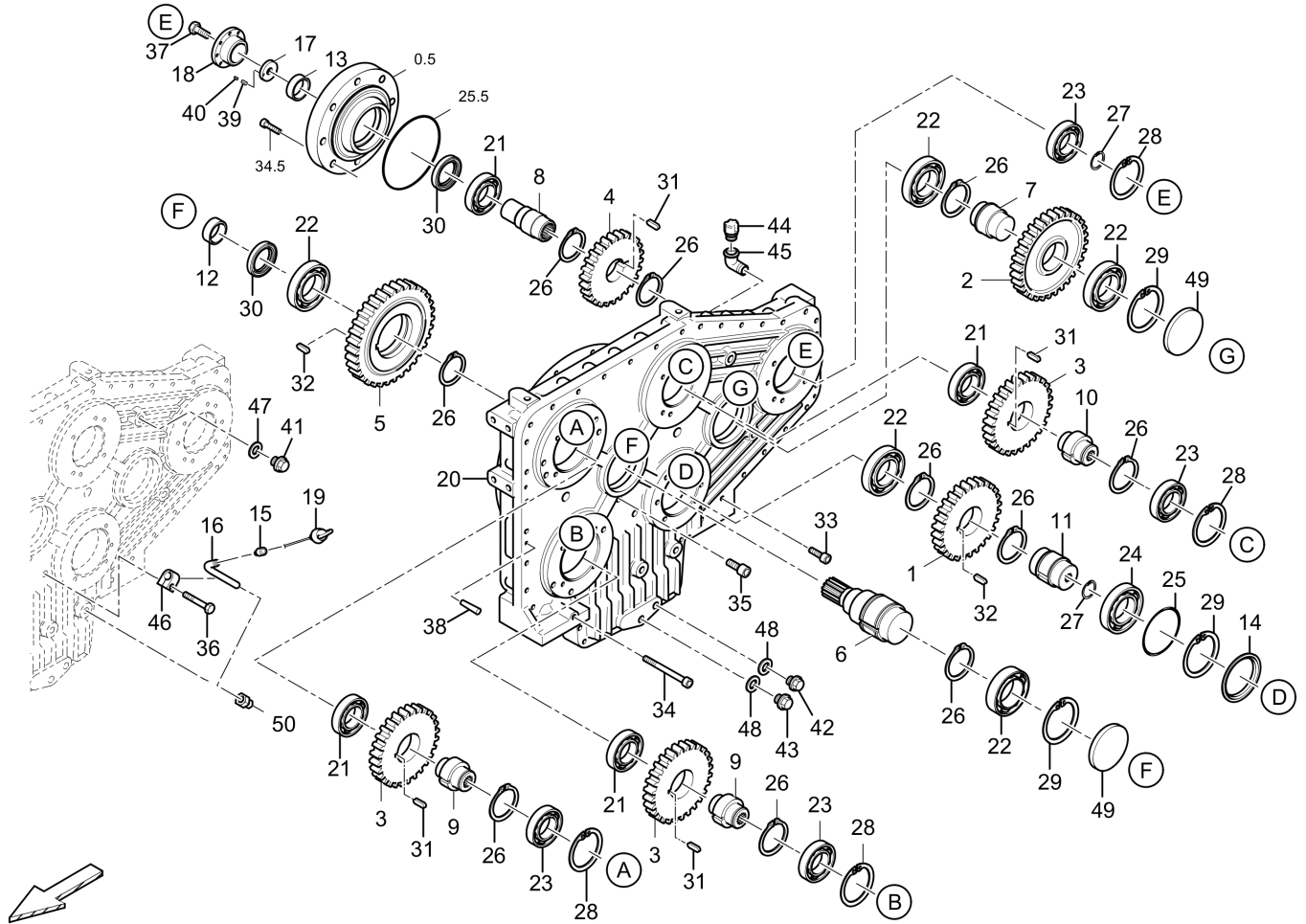
Item	Part No.	Name	Qty	L	C	SN INFO
16	D939570014	Washer	4			
17	0147136203	Hex.bolt M10x25	4			
18	0301234400	Plain washer	4			
19	5541396800	Hexagon nut	4			
20	0147147503	Hex bolt	4			
21	0300013041	Flat washer	4			
22	0291118507	Nut	4			
Not Shown	4812042549	Combined cooler				

**End pipe / rotary feedthrough 4812037845 End pipe / rotary feedthrough**



Item	Part No.	Name	Qty	L	C	SN INFO
1	4812037841	Rotary feedthrough	1			
2	4812033095	End pipe	1			
3	4812015542	Clamp	1			
4	0301233500	Plain washer	4			
5	0147132303	Hexagon bolt	4			
6	0266211000	Hexagon nut	4			
7	0211132203	Head screw	4			
8	4812037585	Joint rod	1			

**Split gear 4812071339 Split gear**

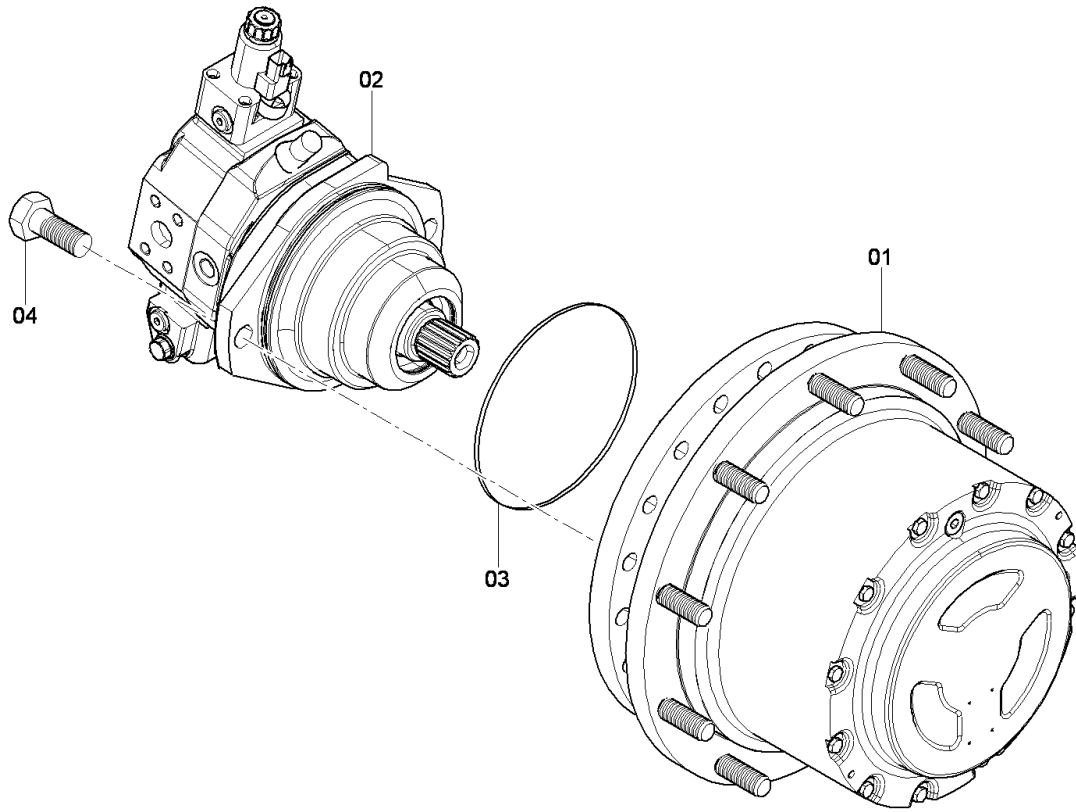


Item	Part No.	Name	Qty	L	C	SN INFO
0.5	4812016737	Bearing support	1			
1	4812035963	Spur wheel	1			
2	4812035964	Spur wheel	1			
3	4812040554	Spur wheel	3			
4	4812035965	Spur wheel	1			
5	4812040553	Spur wheel	1			
6	4812036840	Gear shaft	1			
7	4812040552	Shaft	1			
8	4812040551	Gear shaft	1			
9	4812040550	Shaft	2			
10	4812040549	Shaft	1			
11	4812040548	Shaft	1			
12	4812036842	Guide ring	1			
13	4812040547	Guide ring	1			
14	4812035977	Eccentric ring	1			
15	4812035985	Reducer	1			

Refer to Parts Online for the most up to date information. The printed information might be outdated.

Wed Oct 07 05:49:13 UTC 2020

**Drive gear box 4812030576 Drive gear box**



Item	Part No.	Name	Qty	L	C	SN INFO
1	4812030383	Drive gear box	1			
2	4812030552	Hydraulic motor	1	A		
2.1	4812036305	Control solenoid	1			
2.2	4812036336	Seal kit	1			
2	4812047471	Hydraulic motor	1			
2.1	4812036305	Control solenoid	1			
2.2	4812036336	Seal kit	1			
3	4812034953	O-ring	1			
4	0147154903	Hexagon bolt	2			

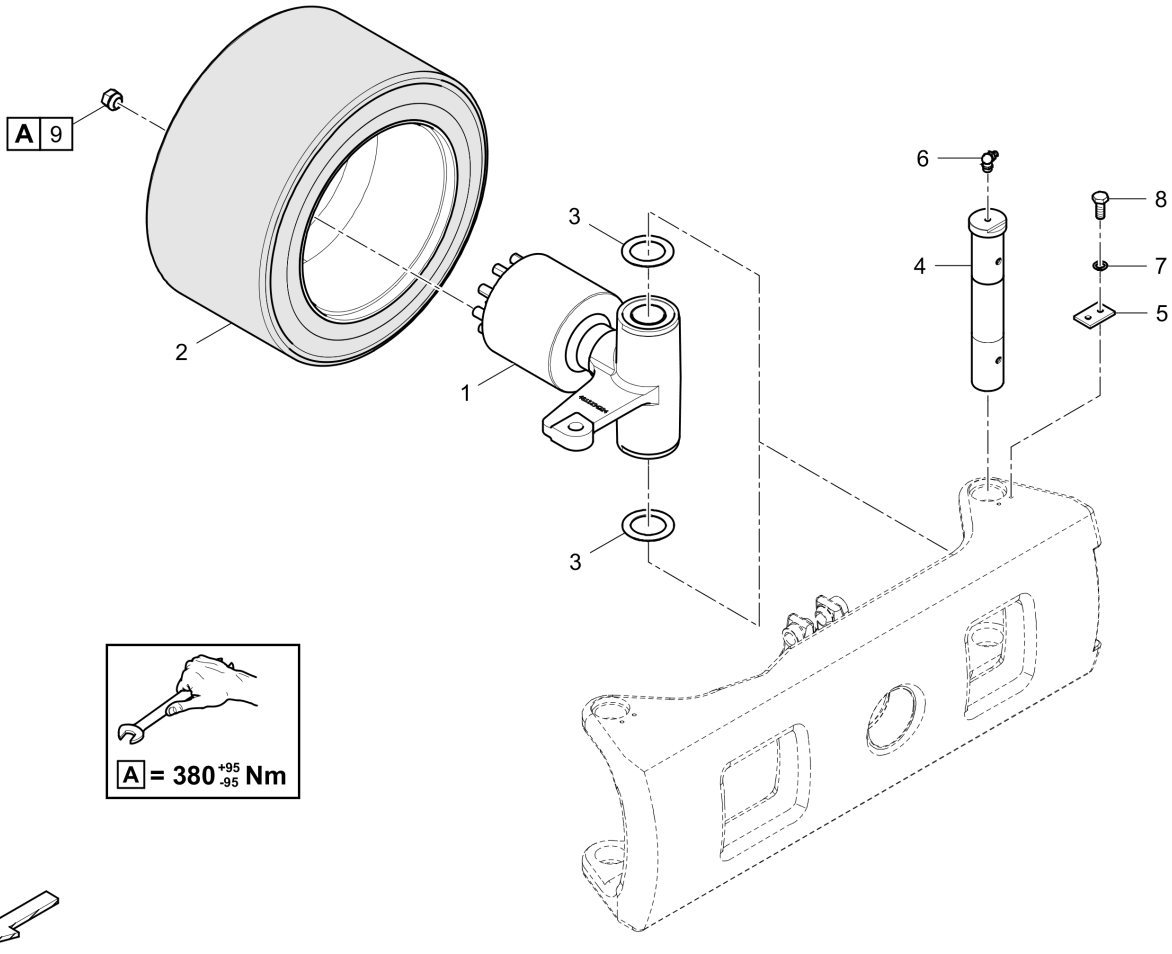
Comments for Page: 4812030576 Drive gear box

(L)OCAL REMARKS

A | en\_US | Both engines exchanged by 4812047471

Item	Part No.	Name	Qty	L	C	SN INFO
14	D931501325	Dowel pin	2			
15	0147154903	Hexagon bolt	2			
16	0147164403	Hexagon head screw	4			
17	5540128500	Hexagon nut	14			
18	4749901812	Plug screw	2			
19	4749901830	Locking washer	4			
20	D656030225	Track rod	1			
21	4749300080	Rod end	5			
22	4749302574	Rod end	5			
23	0261109930	Hexagon nut	5			
24	0261109966	Hexagon nut	5			
25	D936780017	Locking plate	10			
26	0223400069	Fitting screw	6			
27	D656030226	Track rod	2			
28	0223400070	Fitting screw	4			
29	D656030227	Track rod	2			
30	D935511210	Grease nipple	2			
31	D930298510	Pipe x m	1,6			
32	D961935205	Male connector	2			
33	D960969150	Hose mounting	2			
34	D960961549	Nut	2			
35	D935511250	Grease nipple	2			
36	D960993150	Joint section	2			
37	D936002194	Circlip	2			
38	4812161897	Paver Grease / 1 cartridge	1			

**4812233793 Front wheel** 4812233793 Front wheel



Item	Part No.	Name	Qty	L	C	SN INFO
1	4812235505	Front wheel unit	1			
2	4812234230	Front wheel	1			
3	4749302103	Washer	2			
4	D110071301	Axle	1			
5	D774330740	Shackle	1			
6	D935513220	Grease nipple	1			
7	0333310036	Schnorr-lock washer	2			
8	0147132303	Hexagon bolt	2			
9	4749901284	Nut	10			

















CLICK HERE TO **DOWNLOAD** THE COMPLETE MANUAL

- Thank you very much for reading the preview of the manual.
- You can download the complete manual from: [www.heydownloads.com](http://www.heydownloads.com) by clicking the link below



- Please note: If there is no response to CLICKING the link, please download this PDF first and then click on it.

CLICK HERE TO **DOWNLOAD** THE COMPLETE MANUAL









































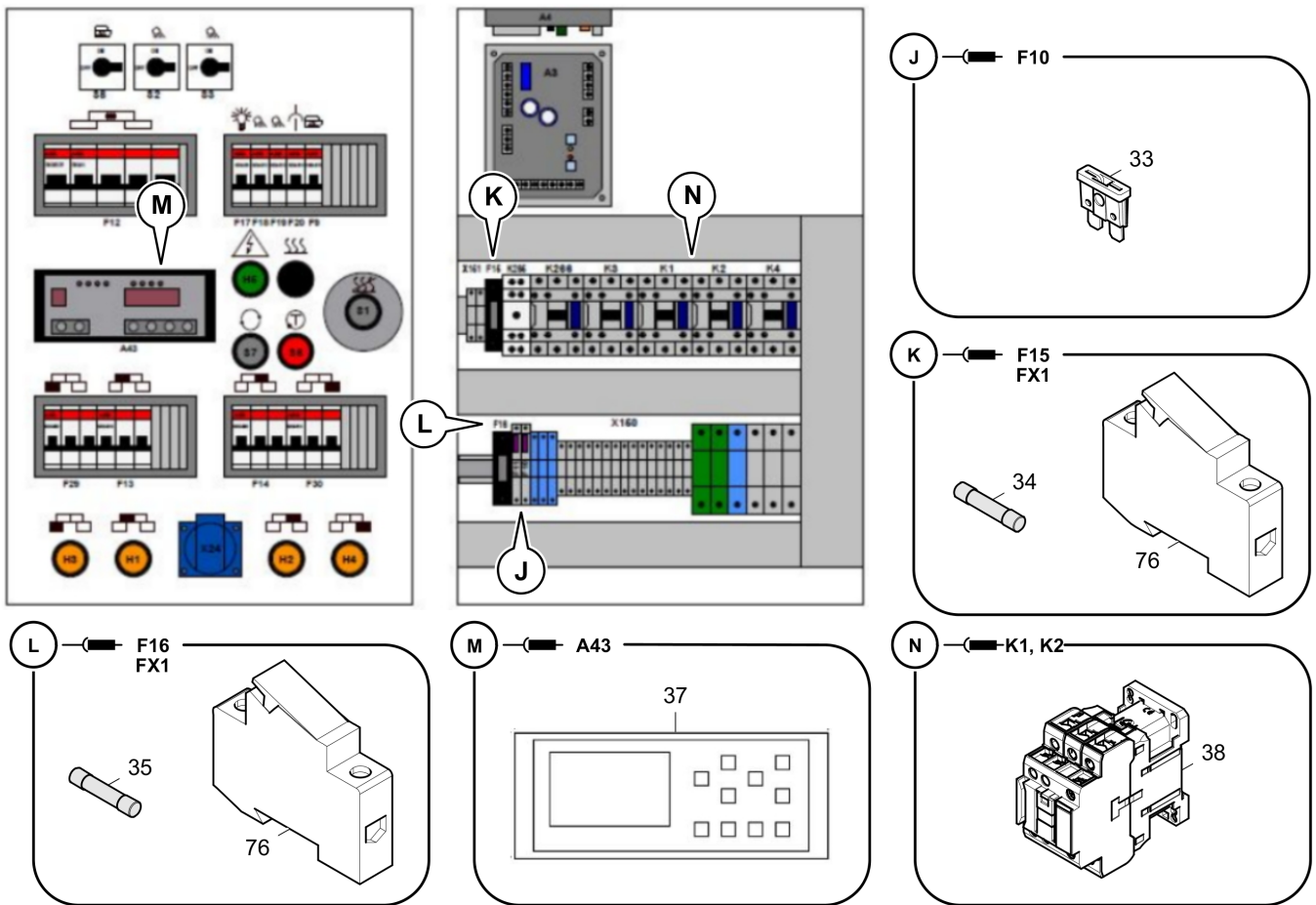








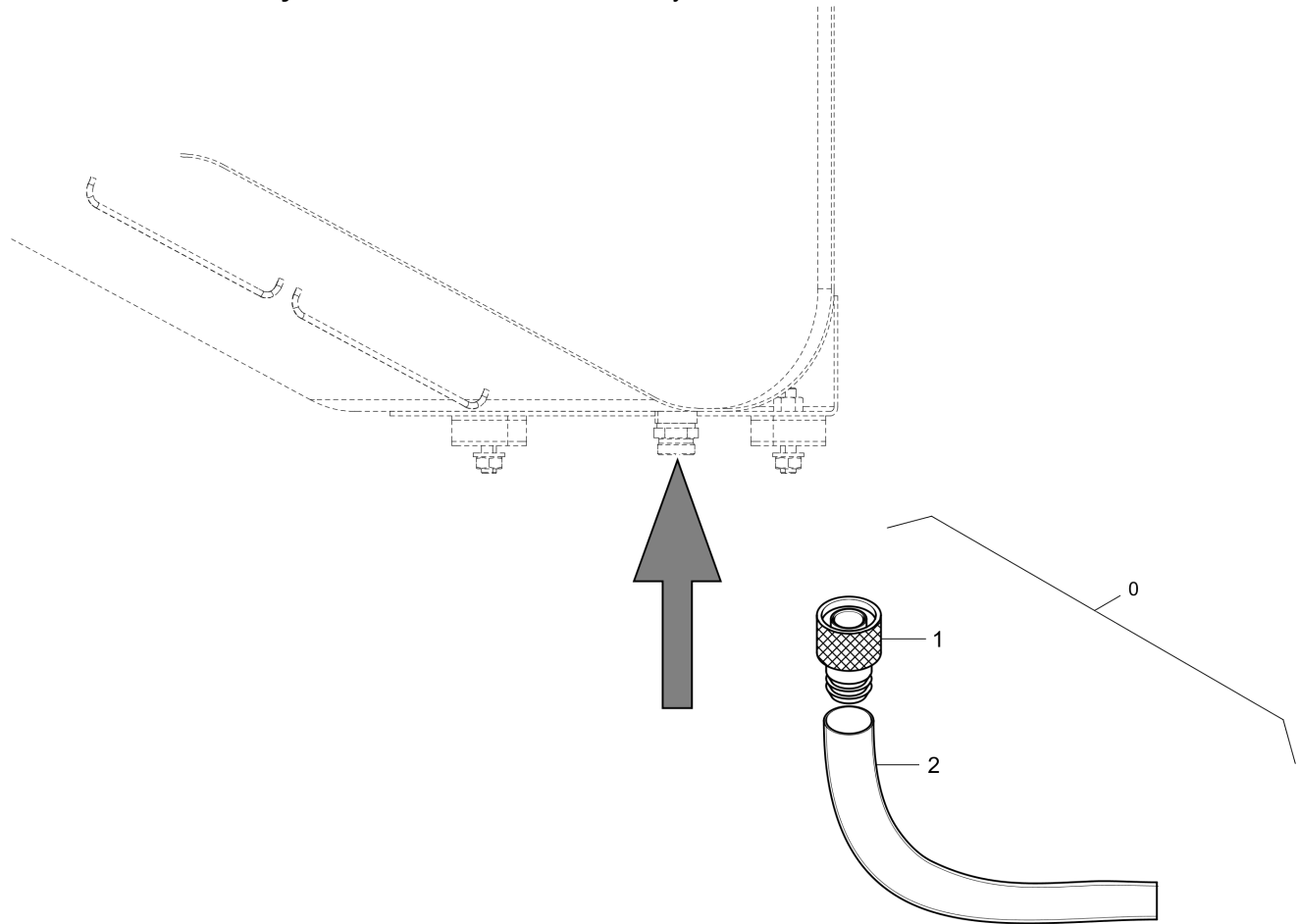




Refer to Parts Online for the most up to date information. The printed information might be outdated.

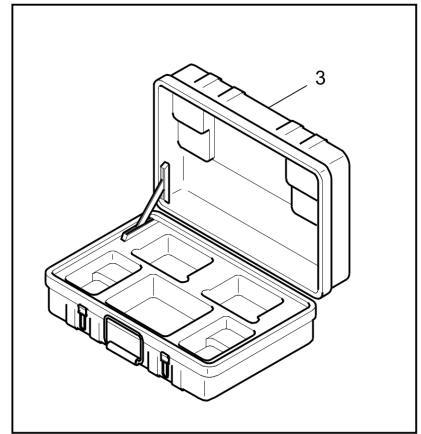
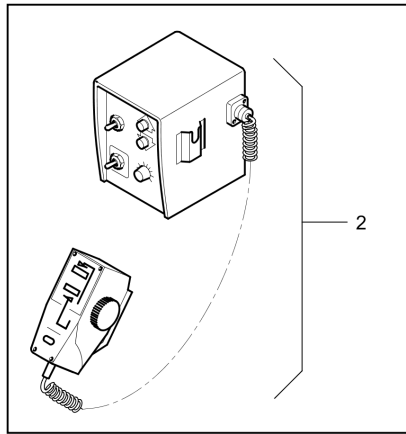
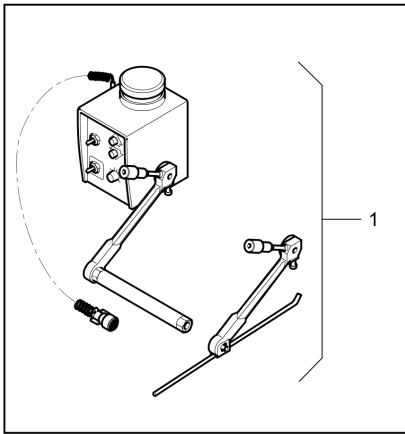
Wed Oct 07 06:08:10 UTC 2020

**4812007491 Oil drain hydr tank 4812007491 Oil drain hydr. tank**



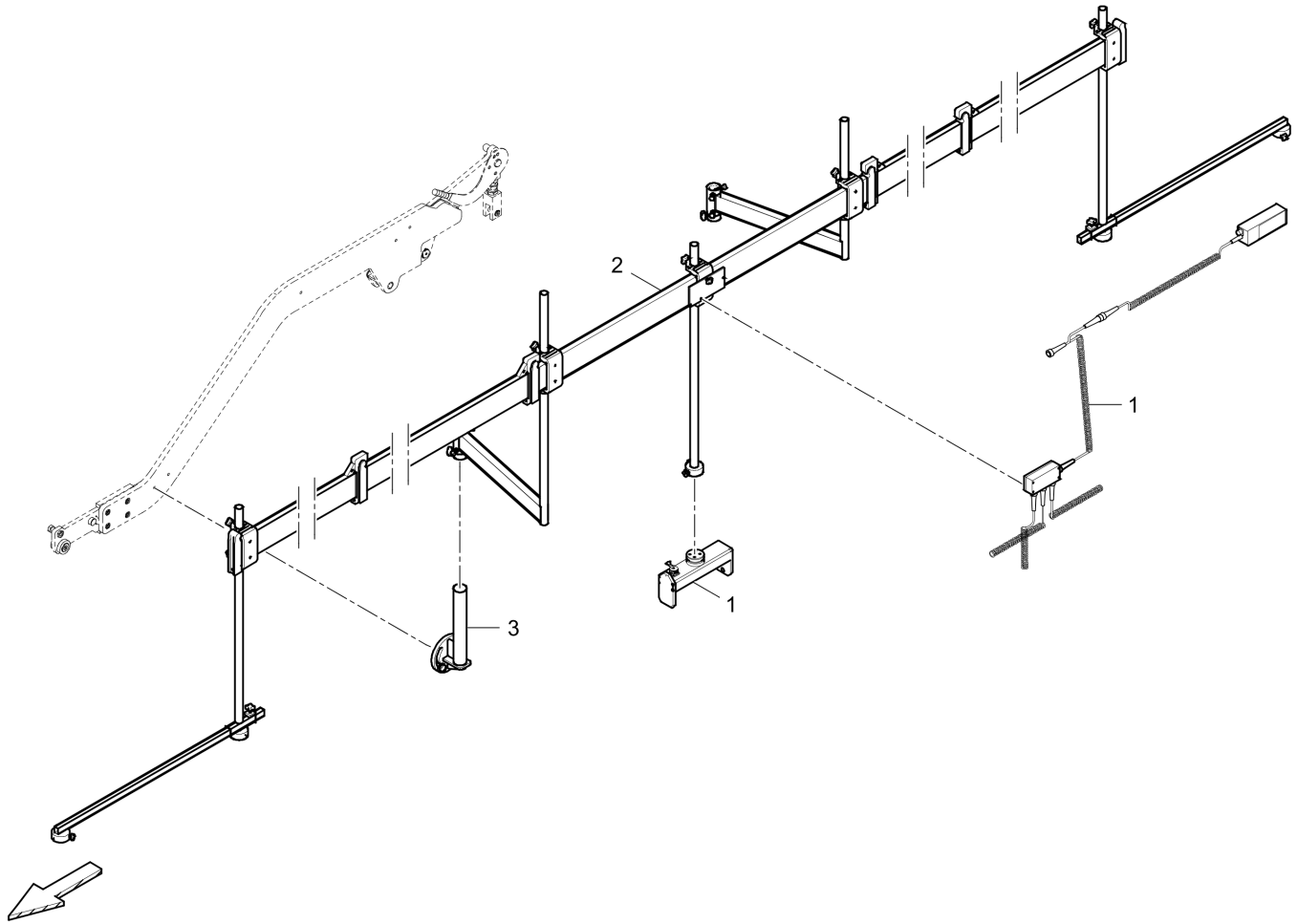
Item	Part No.	Name	Qty	L	C	SN INFO
0	4812007491	Oil drain	1			
1	4812007372	Screwing	1			
2	4812007369	Hose	1			

**Moba gradline 2+1 4812004013 Moba gradline 2+1**



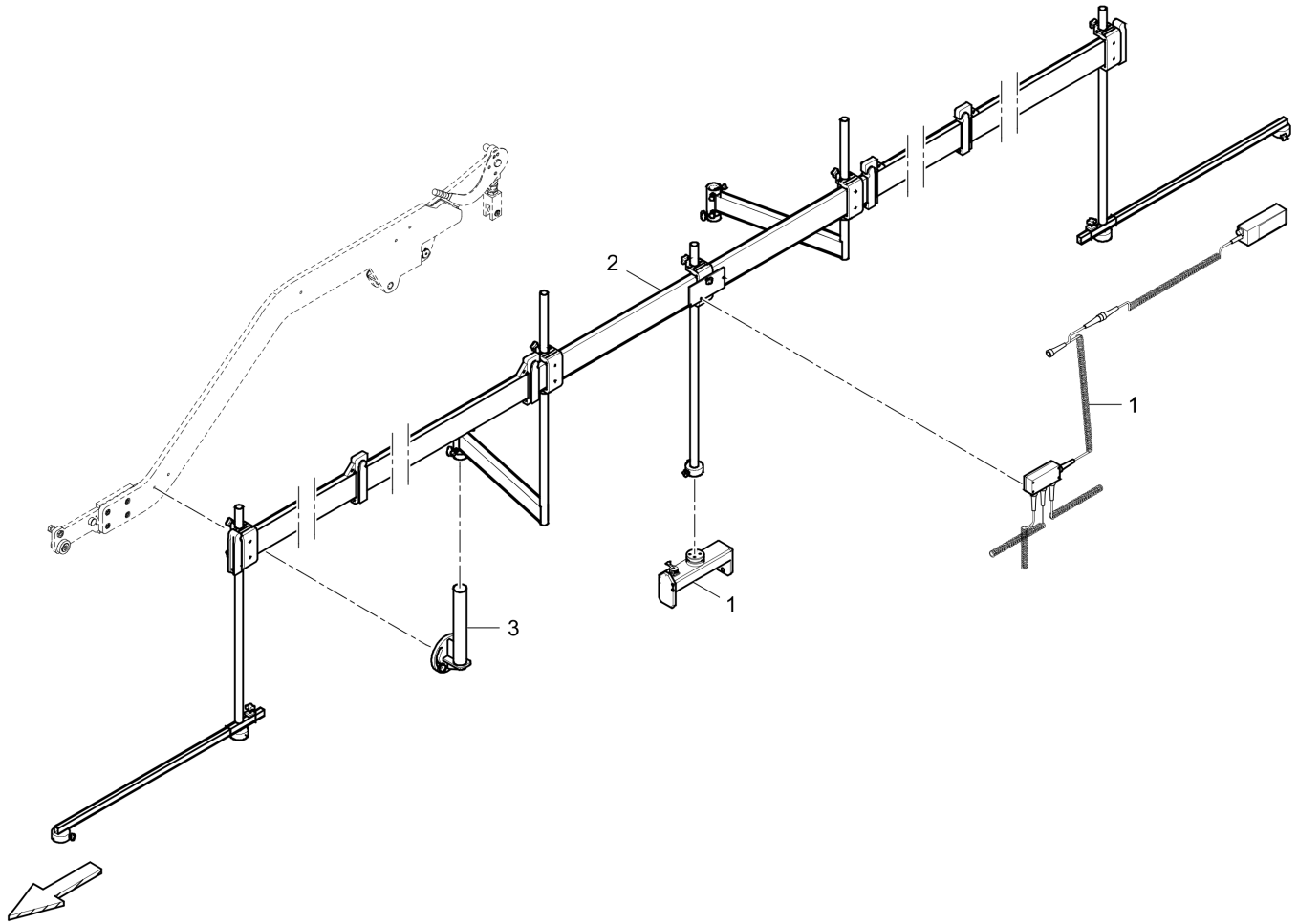
Item	Part No.	Name	Qty	L	C	SN INFO
1	D900624801	Grade control	2			
2	D900624754	Slope control, compl.	1			
3	D900624870	Tool box	1			

**Big Ski 13m red** 4812074079 Big Ski 13m red



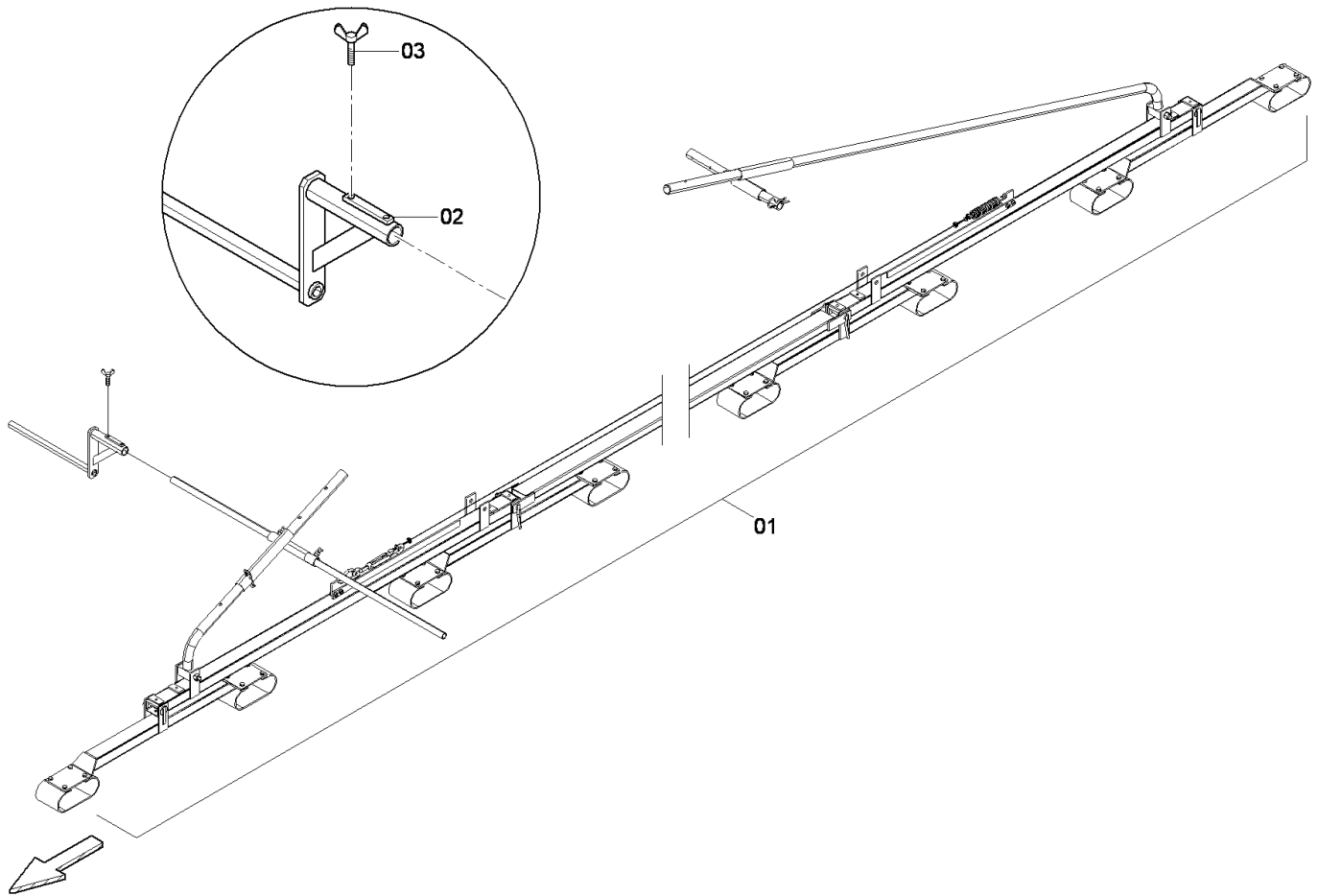
Item	Part No.	Name	Qty	L	C	SN INFO
1	4812074109	Electro installation Big Ski	1			
2	4812041925	Big Ski 13 m	1			
3	4812004304	Side arm support	2	B		

**Big Ski 9m red** 4812074080 Big Ski 9m red

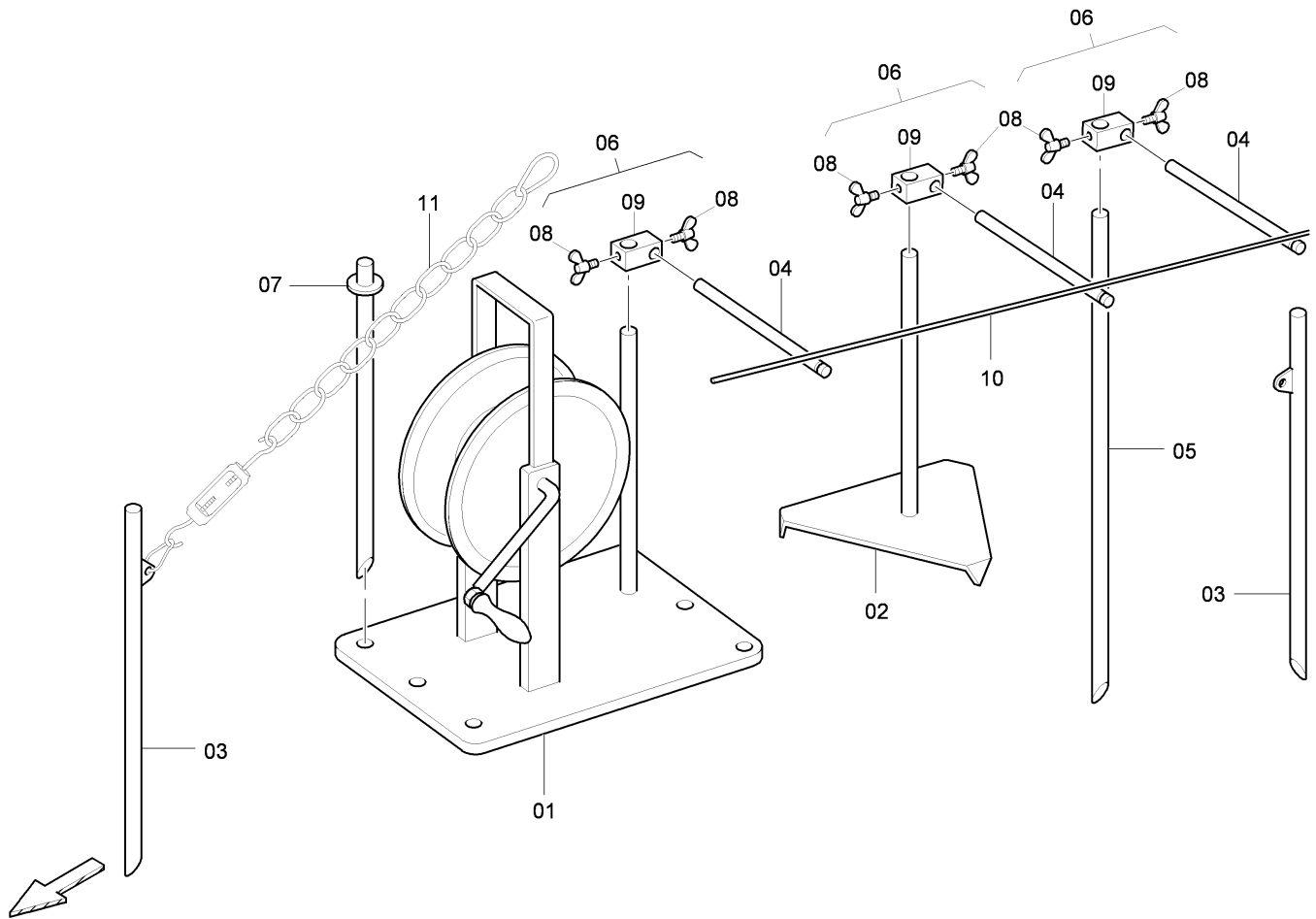


Item	Part No.	Name	Qty	L	C	SN INFO
1	4812074109	Electro installation Big Ski	1			
2	4812042035	Big Ski 9 m	1			
3	4812004304	Side arm support	2	B		

**Trailing ski, 9m** D830031400 Trailing ski, 9m



Item	Part No.	Name	Qty	L	C	SN INFO
1	4700688226	Trailing ski, 9m	1			
2	D754902001	Balancer	1			
3	D937032652	Wing screw	2			

**Wire tensioner cpl.** 4720000701 Wire tensioner cpl.

Item	Part No.	Name	Qty	L	C	SN INFO
1	4720000723	Belt pulley	1			
2	4720001520	Support	5			
3	4720000722	Tension block	2			
4	4730001953	Wire holder	50			
5	4730001952	Levelling rod	45			
6	4730001954	Clamping	50			
7	4720000724	Peg	4			
8	0223195718	Butterfly screw	100			
9	4731300187	Square bar steel	50			
10	4749301277	Steel wire rope x m	300			
11	4730004476	Chain	1			

Refer to Parts Online for the most up to date information. The printed information might be outdated.

Wed Oct 07 06:10:14 UTC 2020

**7**

**Dynapac Engine Oil 200**  
Part No.:  
4812161855 (5l)  
4812161856 (20l)  
4812161857 (209l)

**Dynapac BeltGuard**  
Part No.:  
4812215842 (20l)  
4812215846 (209l)  
4812216094 (1000l)

**Dynapac Hydraulic Oil 100\***  
Part No.:  
4812161863 (1l)  
4812161864 (20l)  
4812161865 (209l)  
\*Not for machines with "Panolin"

**Dynapac Coolant 200**  
Part No.:  
4812163290 (25l)

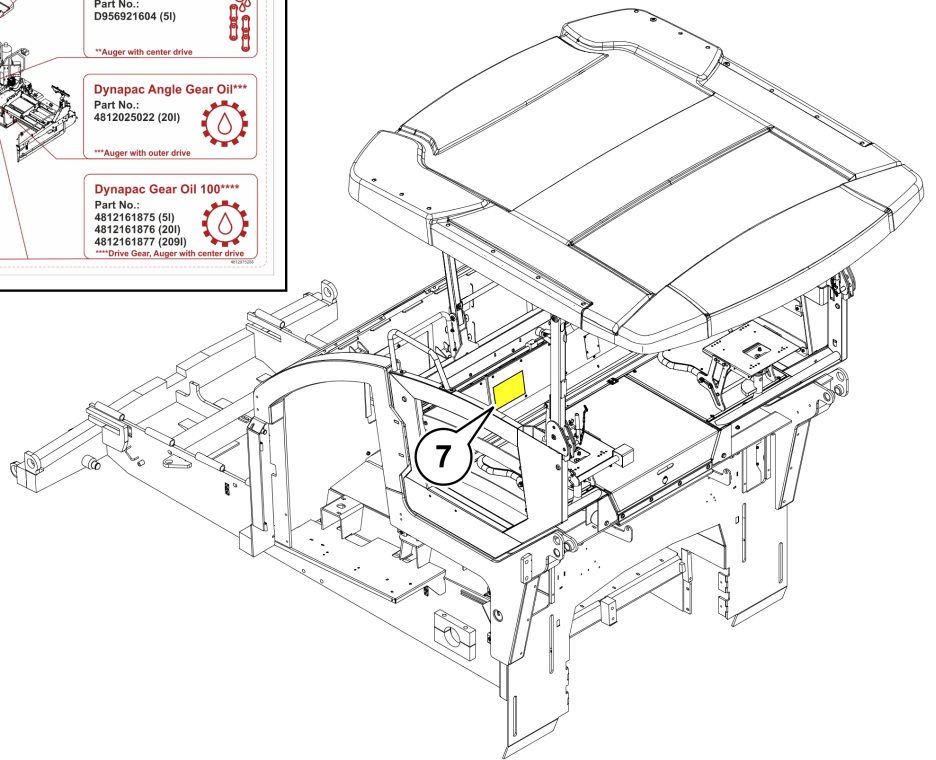
**Dynapac Augerbox Oil\*\***  
Part No.:  
D956921604 (5l)  
\*\*Auger with center drive

**Dynapac Gear Oil 400**  
Part No.:  
4812161895 (1l)  
4812161896 (20l)

**Dynapac Angle Gear Oil\*\*\***  
Part No.:  
4812025022 (20l)  
\*\*\*Auger with outer drive

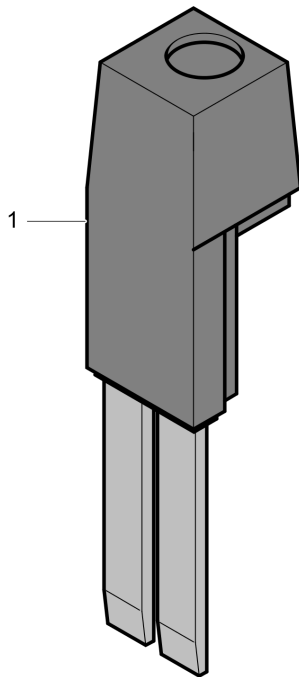
**Dynapac Paver Grease**  
Part No.:  
4812161897 (1pc)  
4812161898 (12pc)

**Dynapac Gear Oil 100\*\*\*\***  
Part No.:  
4812161875 (5l)  
4812161876 (20l)  
4812161877 (209l)  
\*\*\*\*Drive Gear, Auger with center drive



Item	Part No.	Name	Qty	L	C	SN INFO
1	4812010462	Information signs	1			
2	4812010463	Prohibition & information signs	1			
3	4812010464	Warning plate	1			
5	D956053065	Decal: noise level 104dB	1			
7	4812075286	Label	1			

**Special tool** Test adapter



**Test adapter**

- Test plug adapter for 4 mm plug.

Item	Part No.	Name	Qty	L	C	SN INFO
1	4812005418	Test adapter	1	A		

Comments for Page: Test adapter

(L)OCAL REMARKS

A | en\_US | E- heating

A | de\_DE | E- Heizung

CLICK HERE TO **DOWNLOAD** THE COMPLETE MANUAL

- Thank you very much for reading the preview of the manual.
- You can download the complete manual from: [www.heydownloads.com](http://www.heydownloads.com) by clicking the link below



- Please note: If there is no response to CLICKING the link, please download this PDF first and then click on it.

CLICK HERE TO **DOWNLOAD** THE COMPLETE MANUAL