

CP2700

Spare parts list

Pneumatic Roller

CP2700 Tier 3 s/n 10000502x0B003898 -

Engine: Cummins QSB 4.5



CLICK HERE TO **DOWNLOAD** THE COMPLETE MANUAL

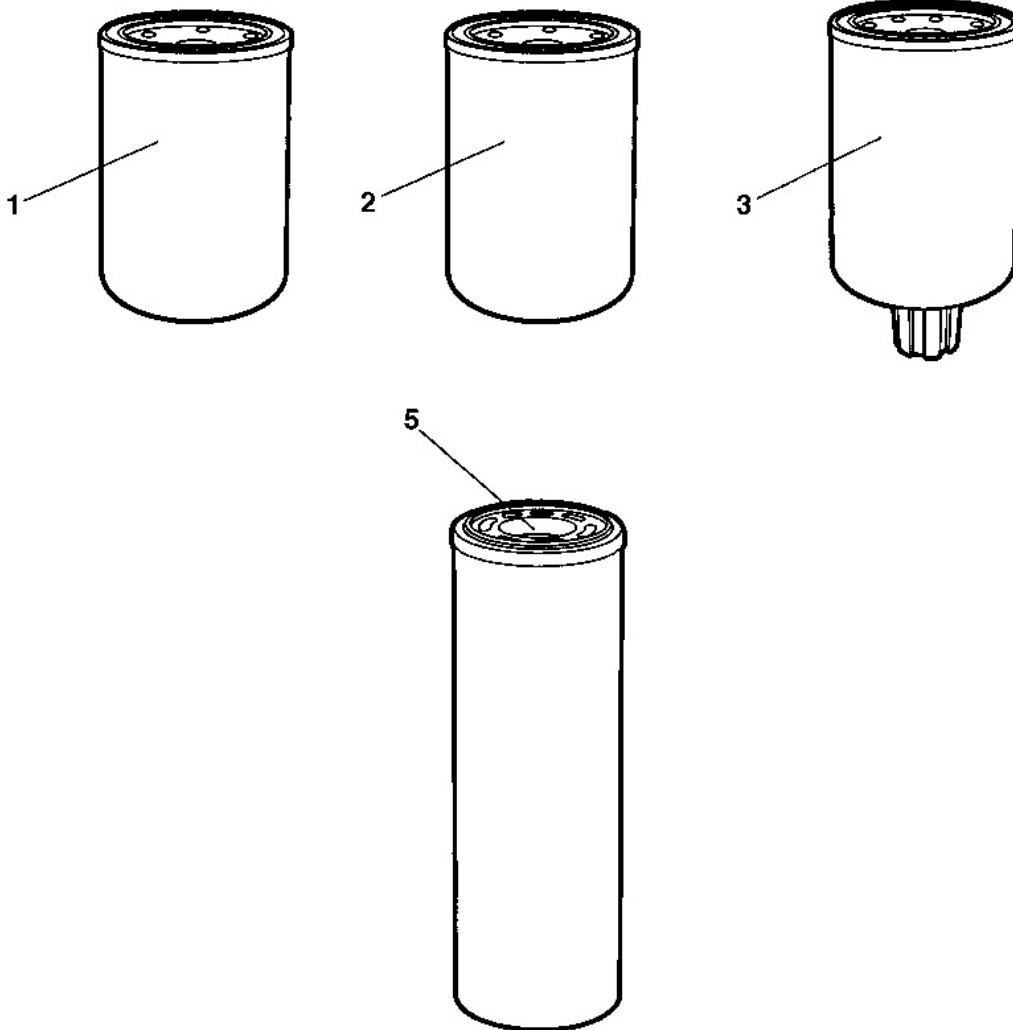
- Thank you very much for reading the preview of the manual.
- You can download the complete manual from: www.heydownloads.com by clicking the link below



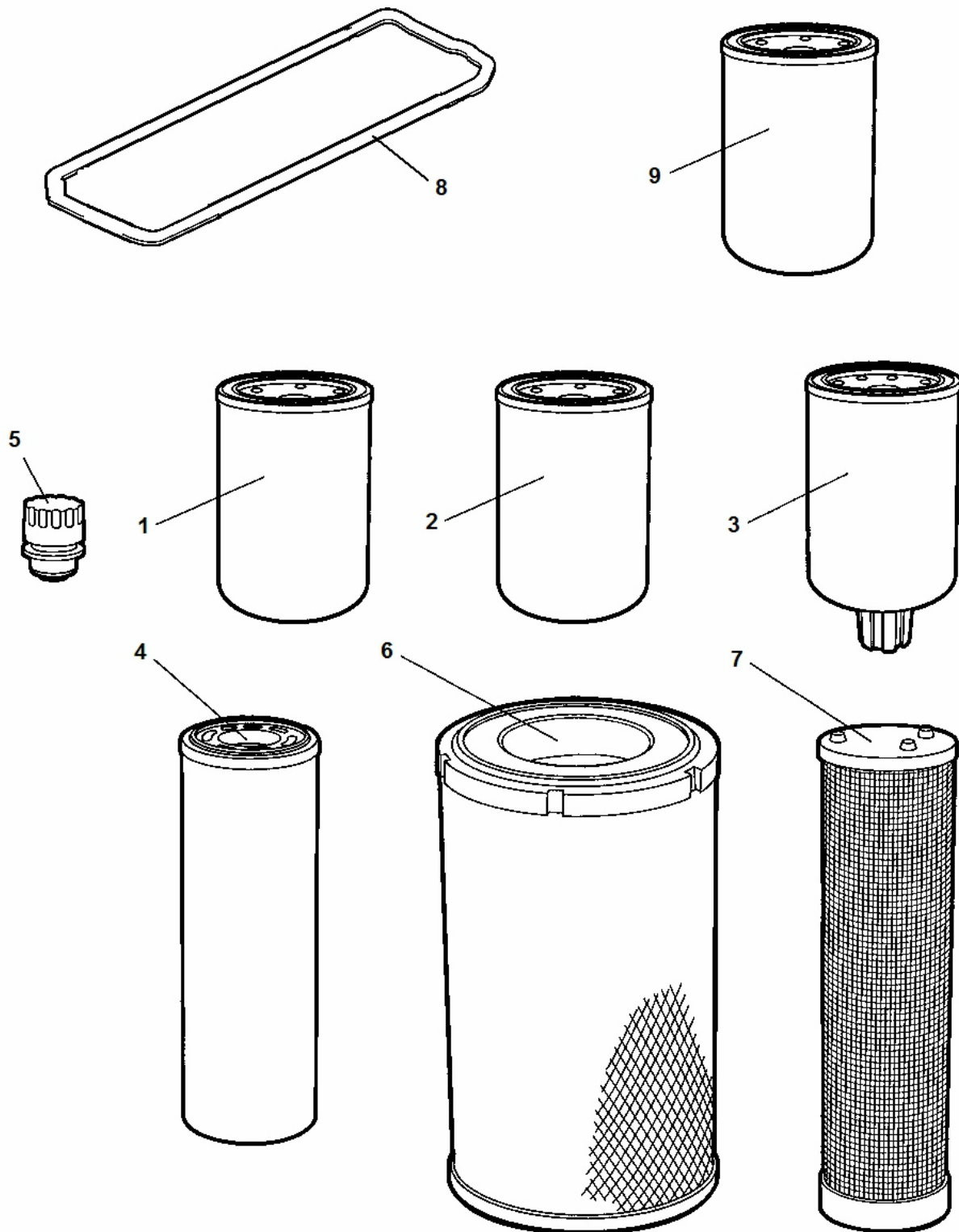
- Please note: If there is no response to CLICKING the link, please download this PDF first and then click on it.

CLICK HERE TO **DOWNLOAD** THE COMPLETE MANUAL

Service, repair and wear part kits 4812155998 Service kit 50 h, QSB 4.5 T3



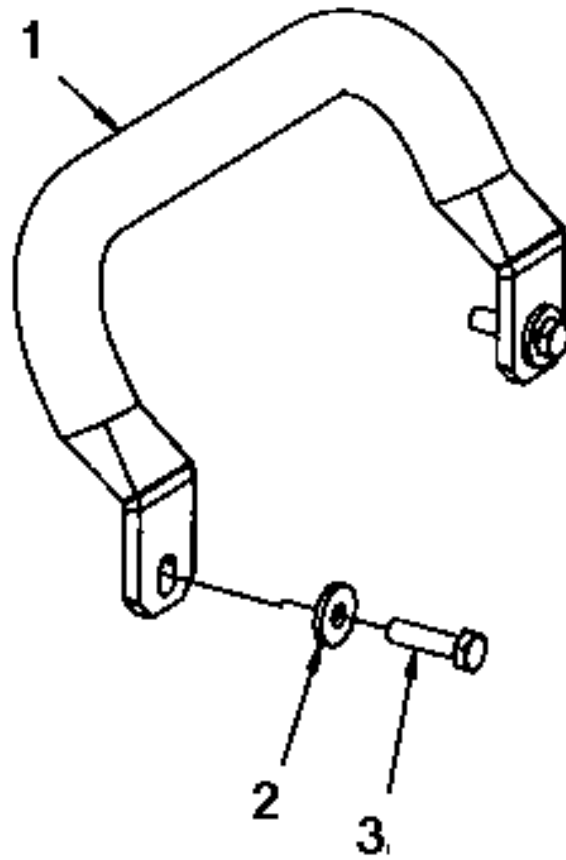
Service, repair and wear part kits 4812101916 Service kit 1000 h, QSB 4.5 T3



Refer to Parts Online for the most up to date information. The printed information might be outdated.

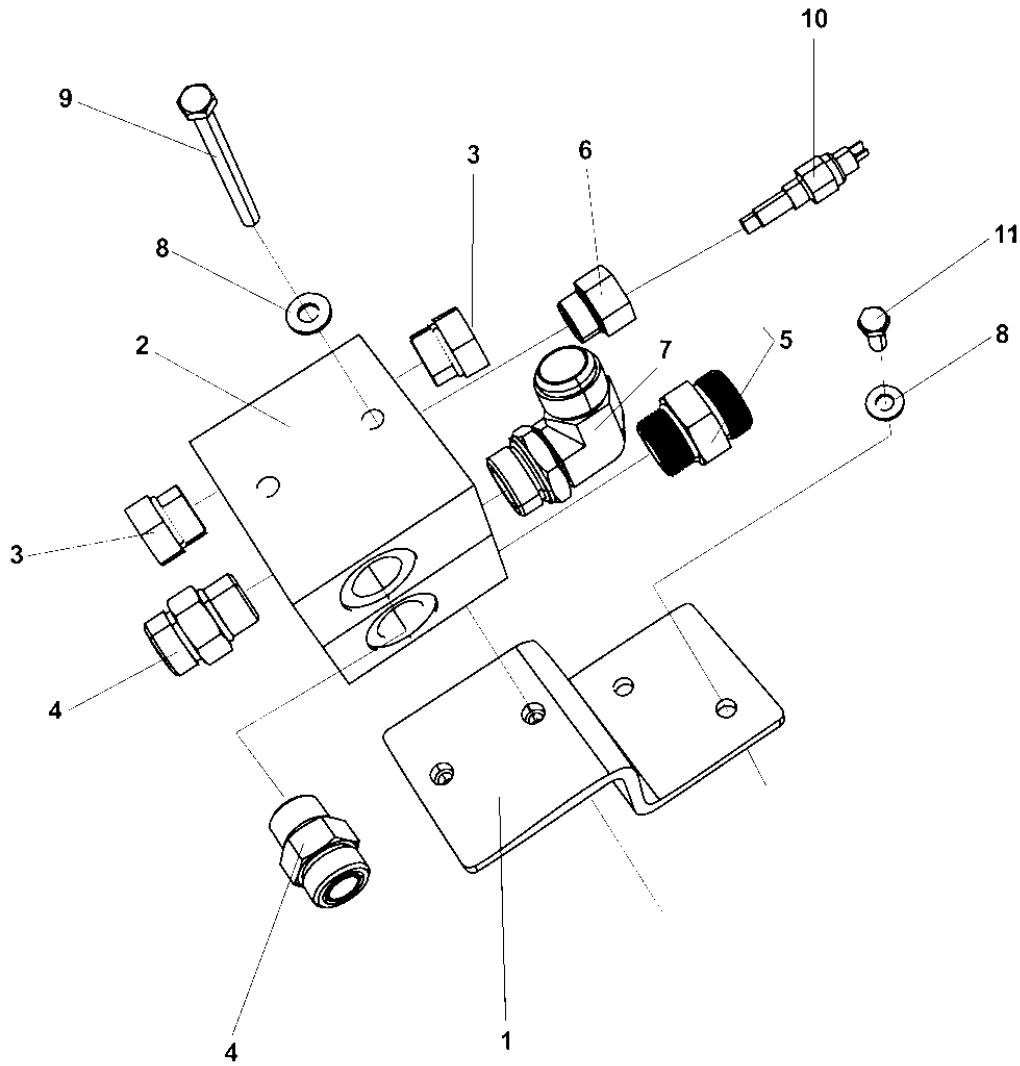
Mon Jun 01 07:43:54 MDT 2015

Mechanical Grab handle module



Item	Part No.	Name	Qty	L
38	-	Cover	1	
39	4700500022	Screw	104	
40	4812120306	Decal "AC logotype" Black, H=190	4	
41	4700377742	Reflector, red	4	
42	4700377743	Reflector, white	2	
43	4812121205	Decal "COMPACTING ROCKS"	1	
44	4812121204	Decal "COMPACTING ROCKS"	1	
45	-	Cover assy	2	
46	4812316253	Decal model "CP2700"	2	
47	4700925785	Hex. socket screw M06x012H	4	

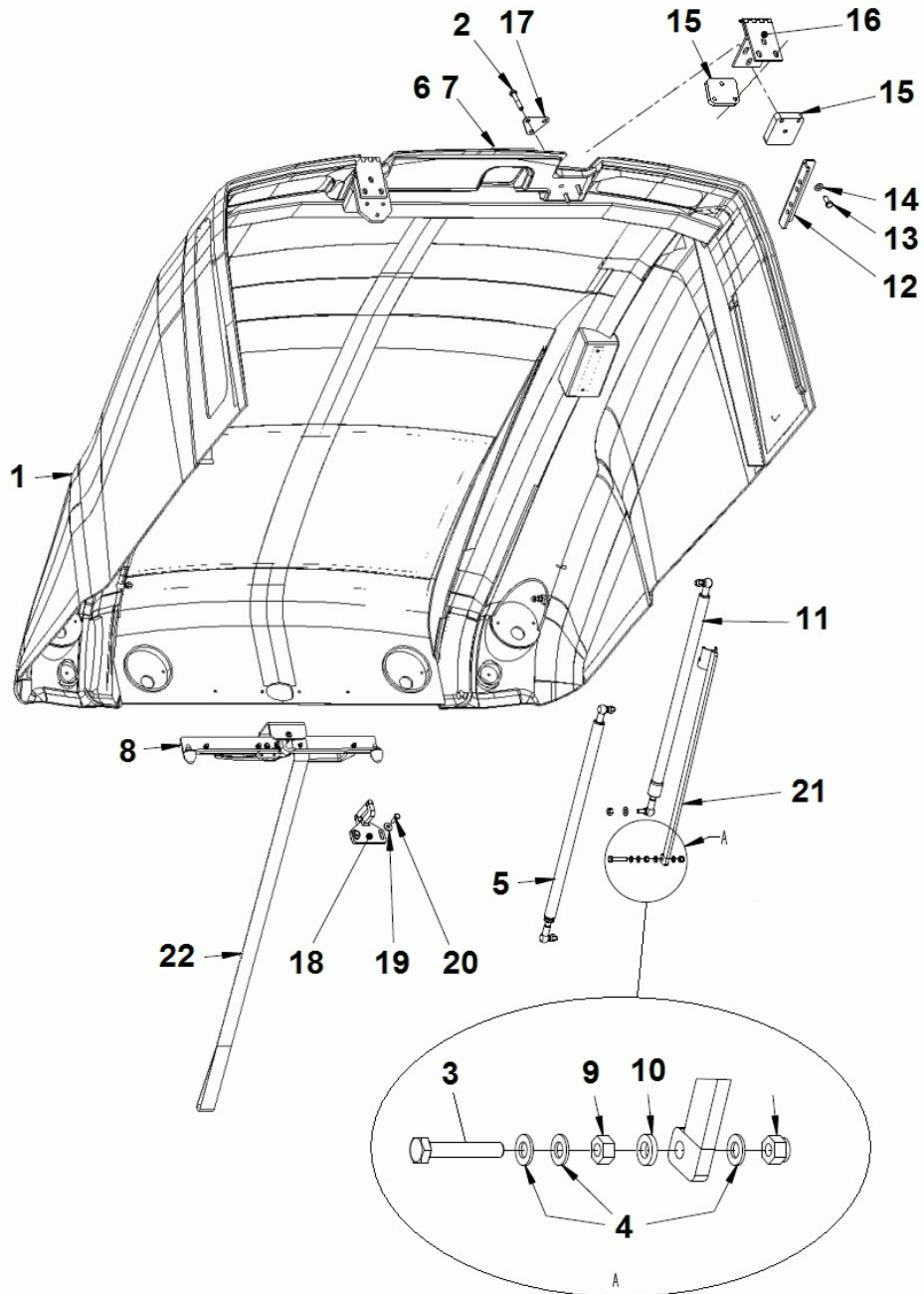
Mechanical Manifold



Refer to Parts Online for the most up to date information. The printed information might be outdated.

Mon Jun 01 07:43:59 MDT 2015

Mechanical Engine hood



Refer to Parts Online for the most up to date information. The printed information might be outdated.

Mon Jun 01 07:44:02 MDT 2015

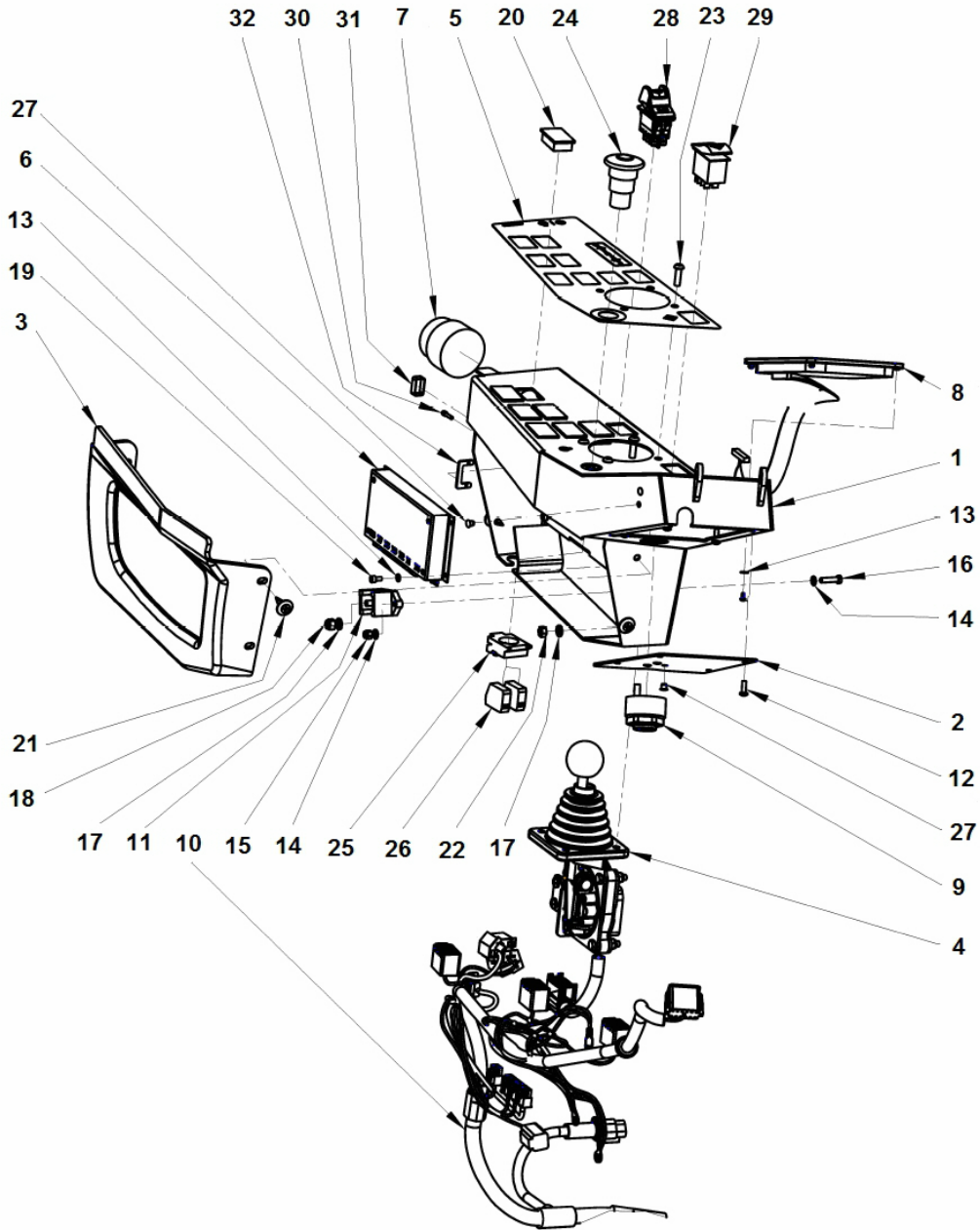
Item	Part No.	Name	Qty	L
53	4700313001	Hose clamp	4	
54	4700904214	Washer 15x30x4 300 HV	1	
55	4700902520	Screw	6	

Comments for Page: Seat frame

41 - L = 0,16m

42 - L = 0,18m

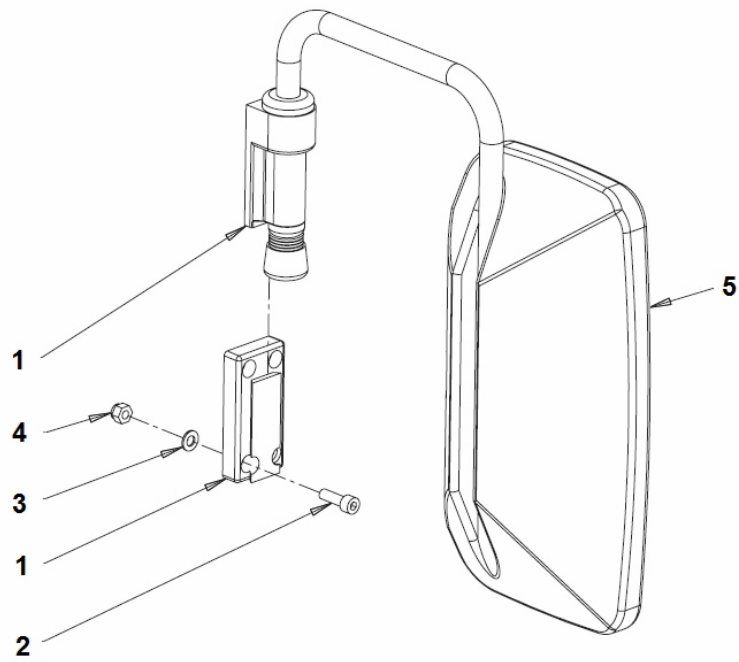
Operator platform 4812116077 Drive control



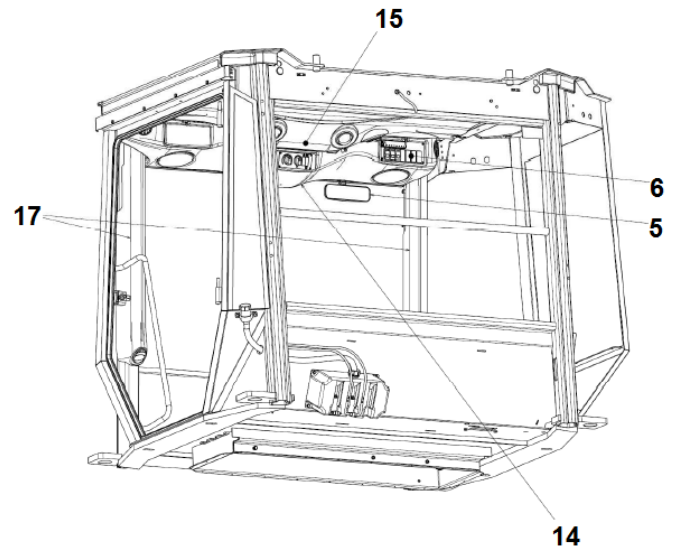
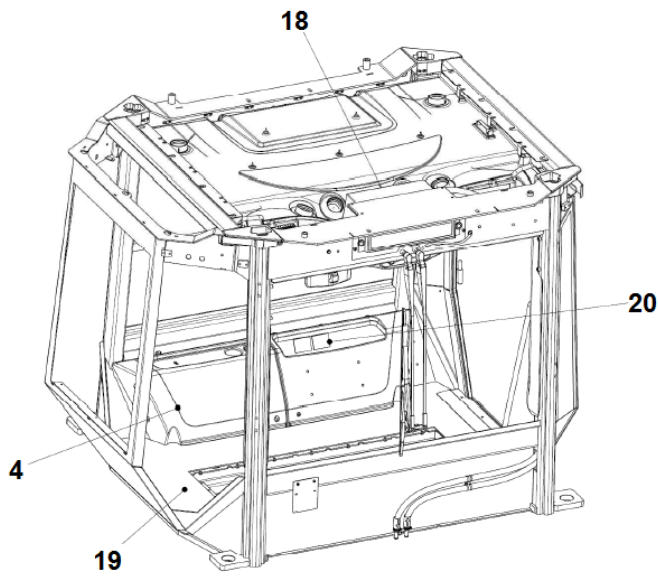
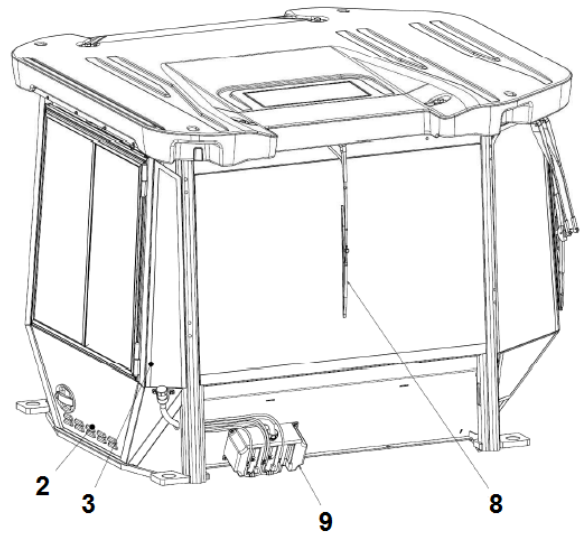
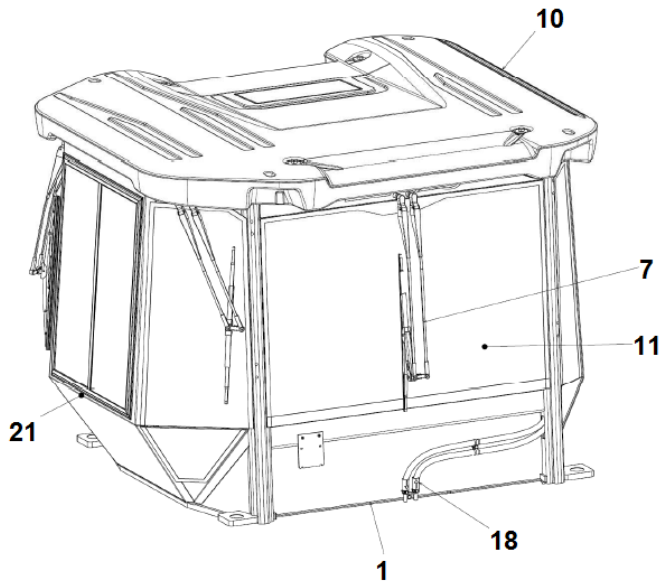
Refer to Parts Online for the most up to date information. The printed information might be outdated.

Mon Jun 01 07:44:06 MDT 2015

Operator platform 4812114766 Rear view mirror module



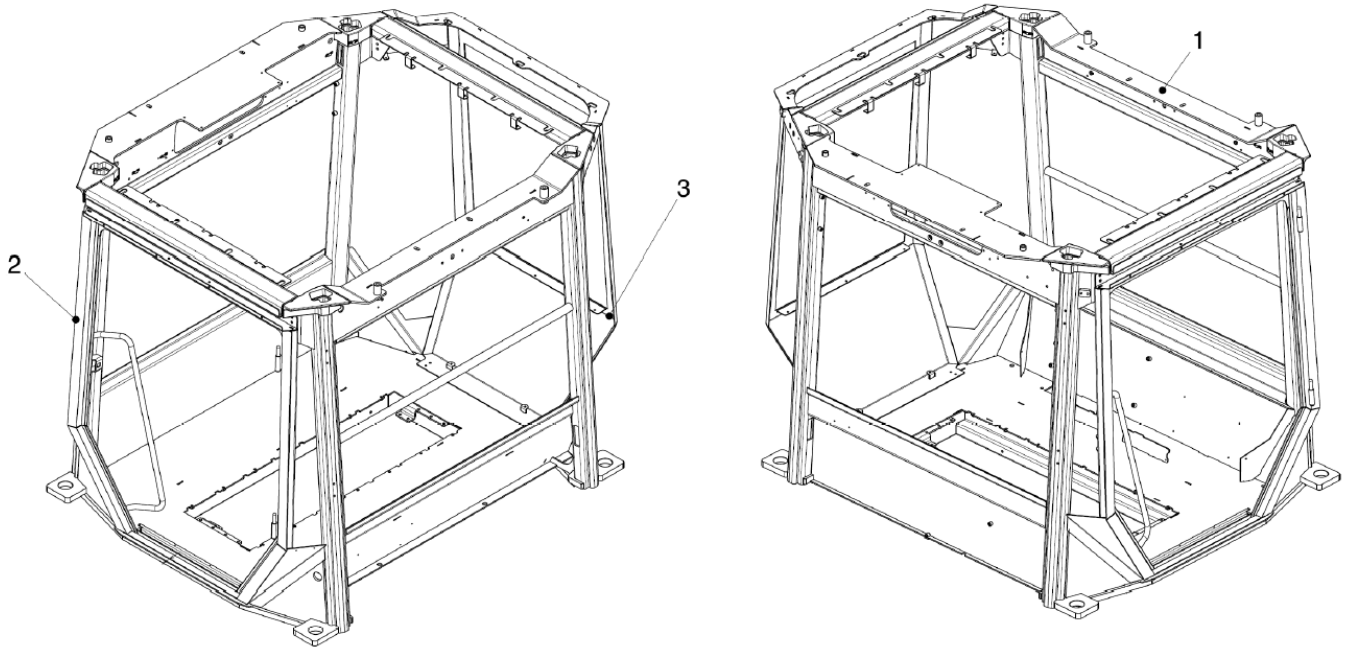
Cab Cab



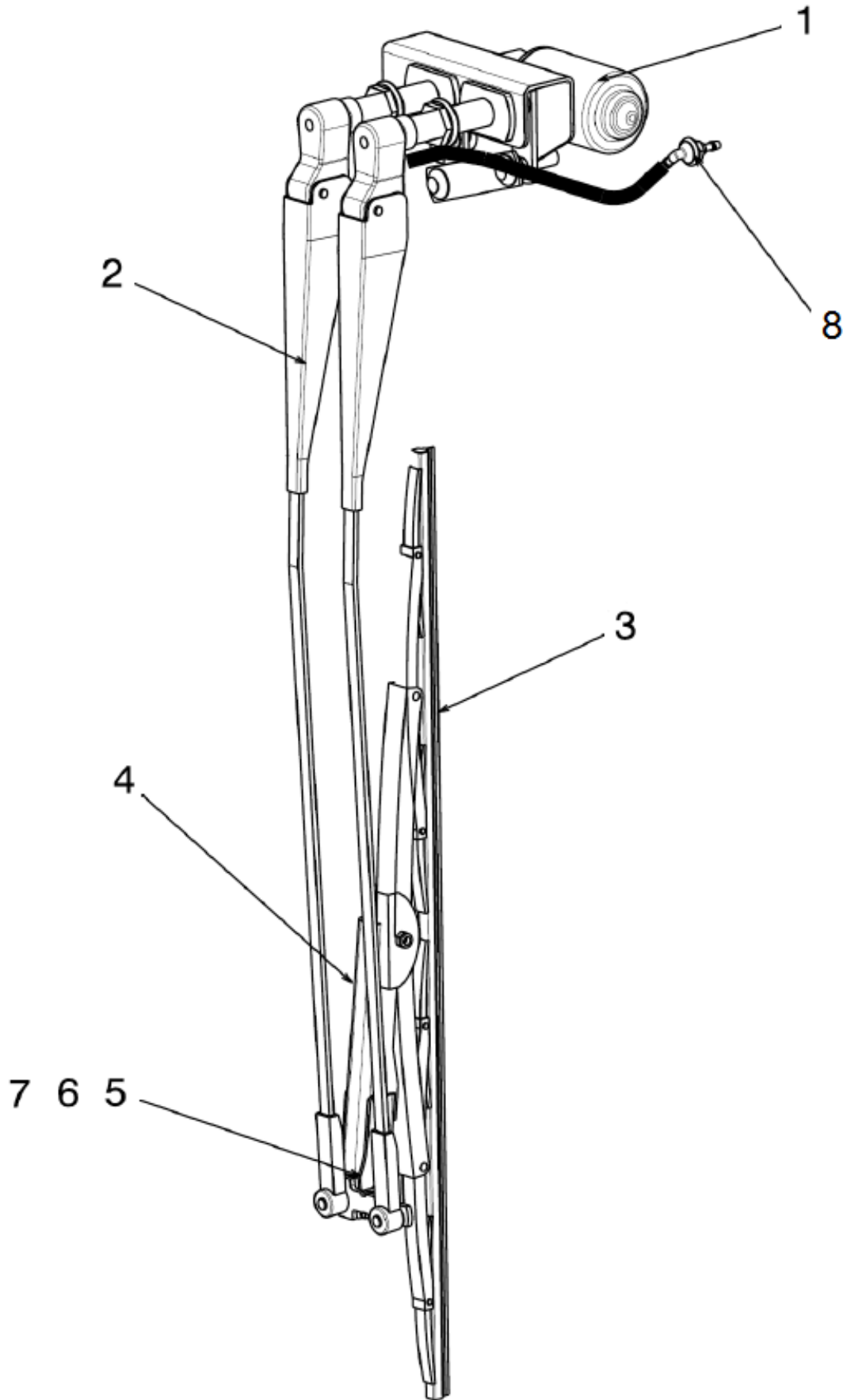
Refer to Parts Online for the most up to date information. The printed information might be outdated.

Mon Jun 01 07:44:09 MDT 2015

Cabin frame Cabin frame



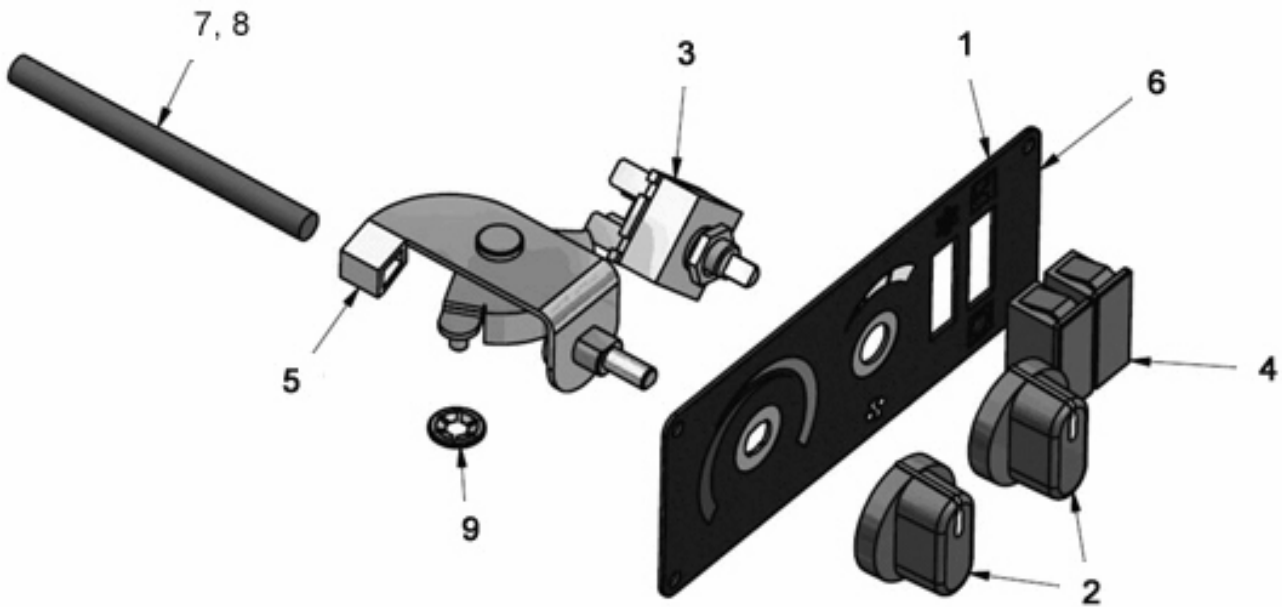
Windscreen wipersystem Windscreen wipersystem



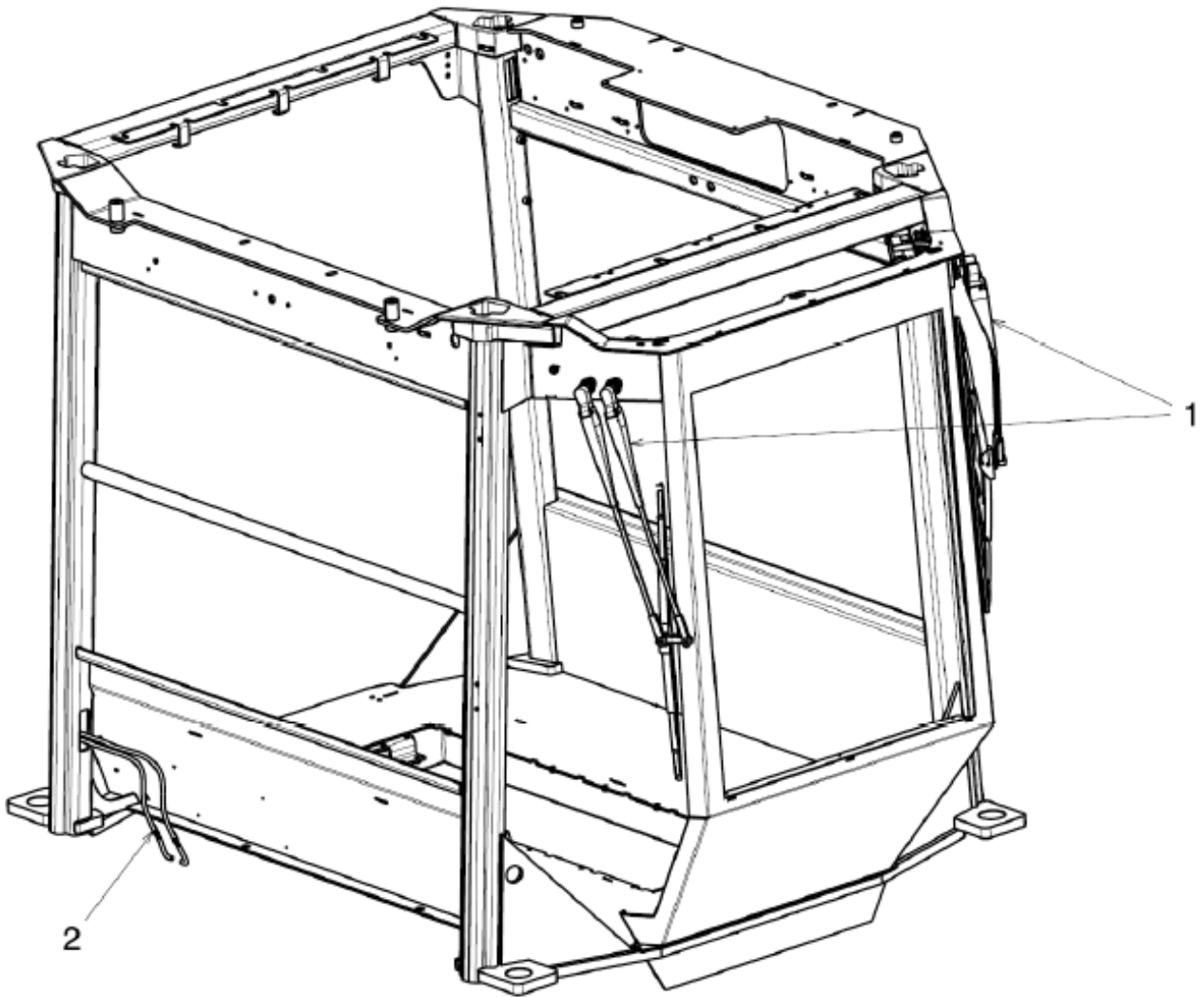
Refer to Parts Online for the most up to date information. The printed information might be outdated.

Mon Jun 01 07:44:14 MDT 2015

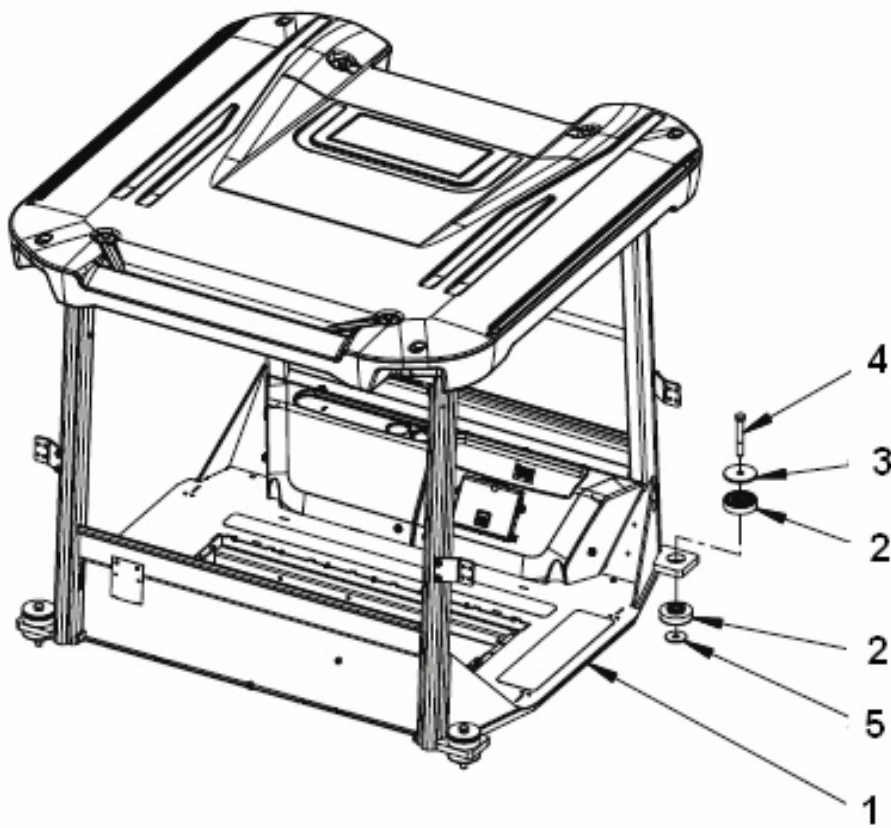
Heater Heater controls



Wiper system right side Wiper system right side



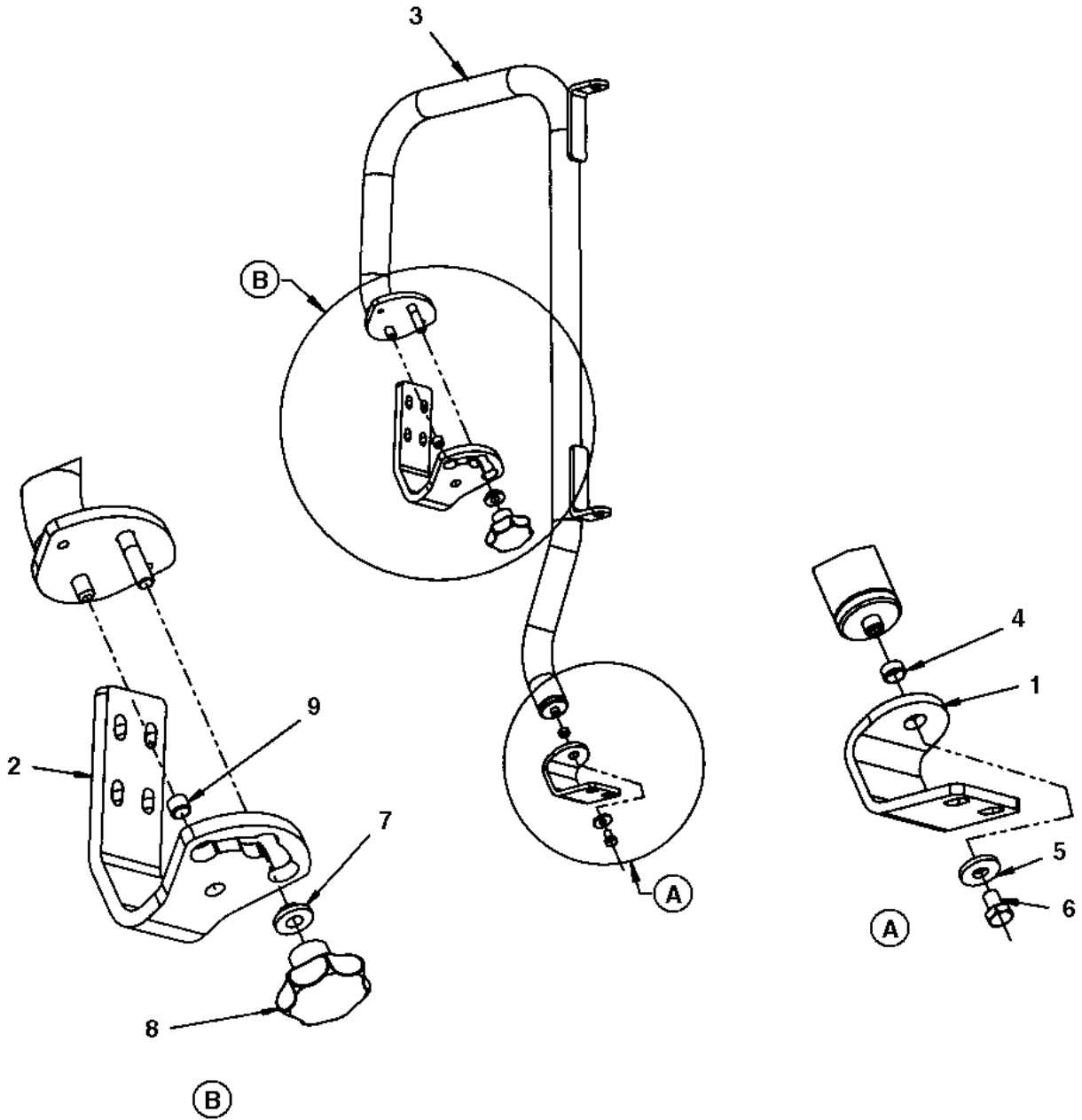
Rops module Rops module



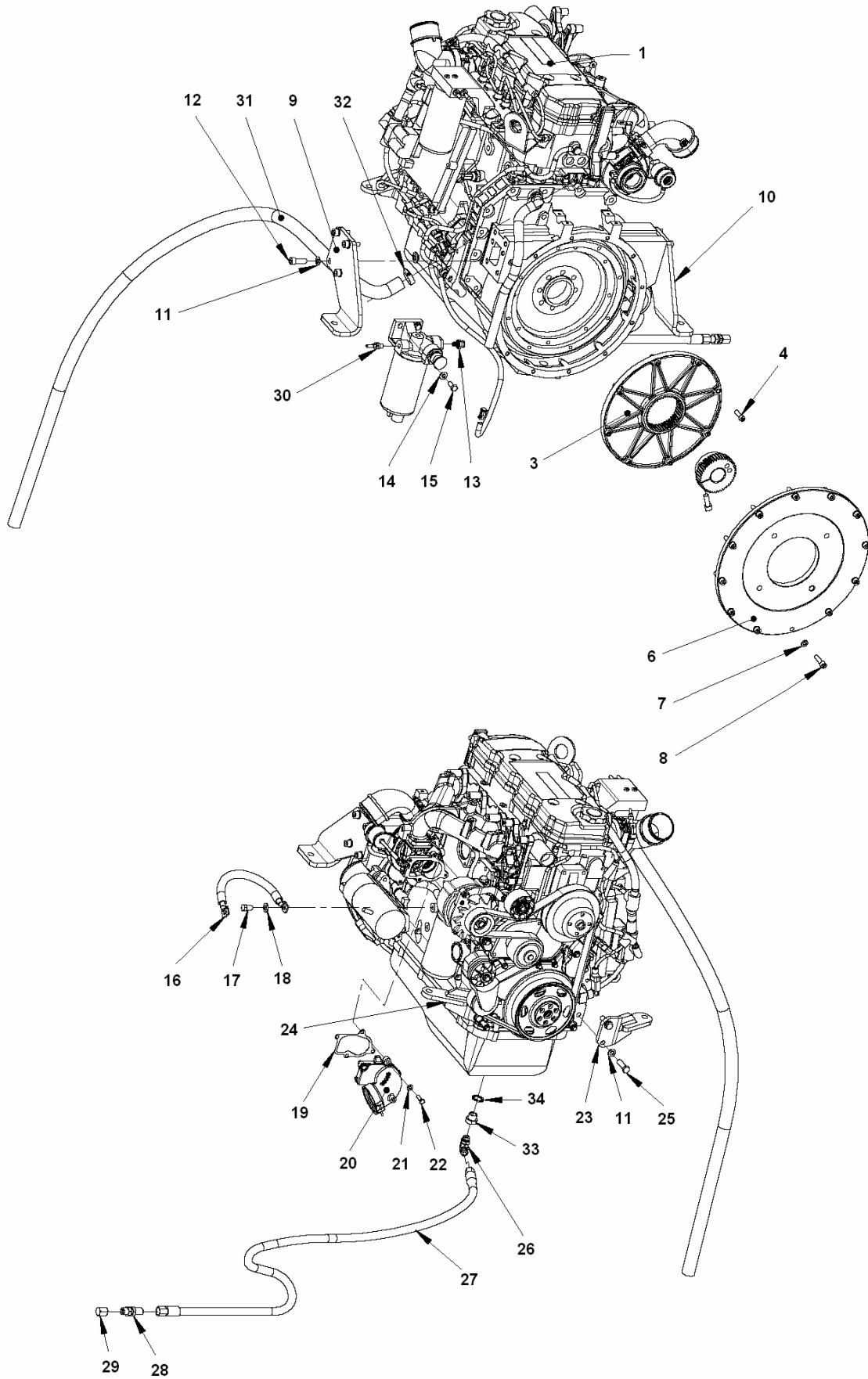
Referenced Pages

Manual box 145

Hand rail Hand rail



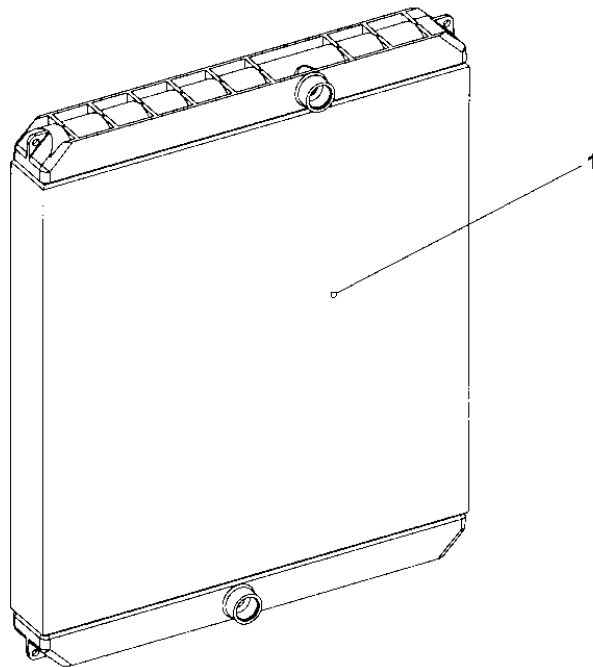
Engine module Engine module



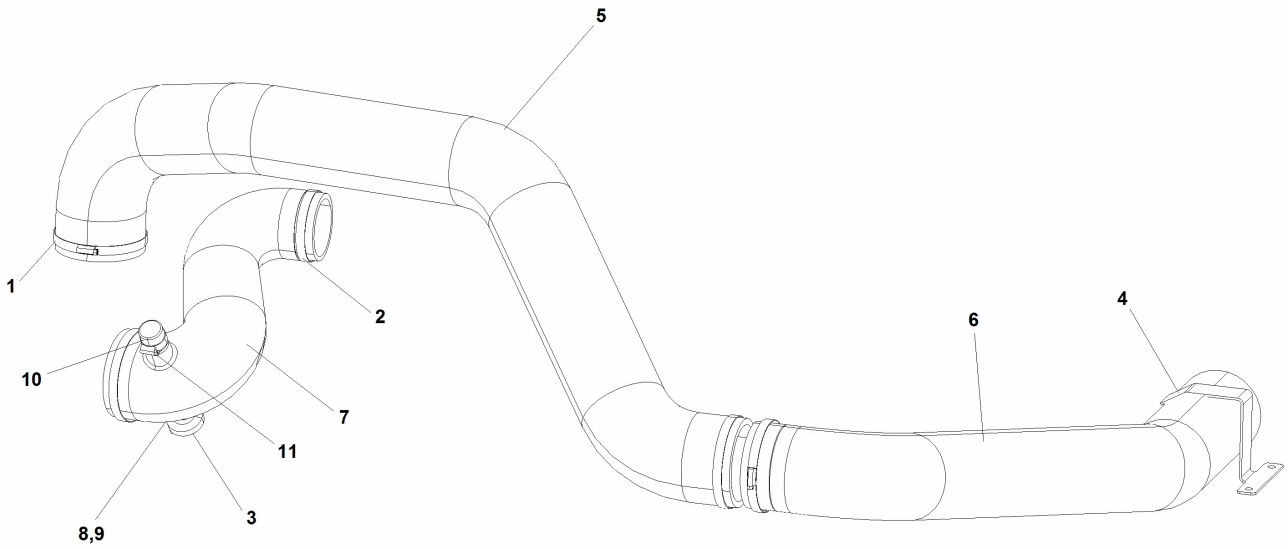
Refer to Parts Online for the most up to date information. The printed information might be outdated.

Mon Jun 01 07:44:26 MDT 2015

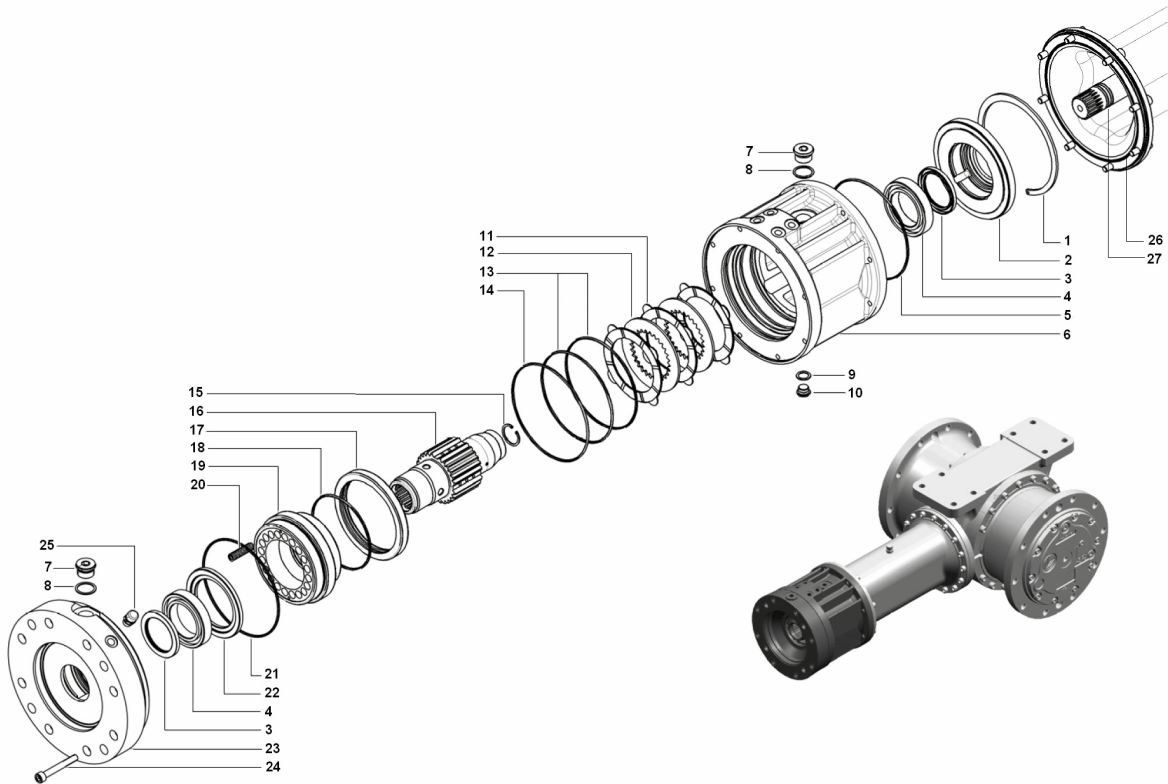
Engine Hydraulic oil cooler



Engine Air clean hose kit



Gear module Negative multidisc brake repair kit



Refer to Parts Online for the most up to date information. The printed information might be outdated.

Mon Jun 01 07:44:31 MDT 2015

CLICK HERE TO **DOWNLOAD** THE COMPLETE MANUAL

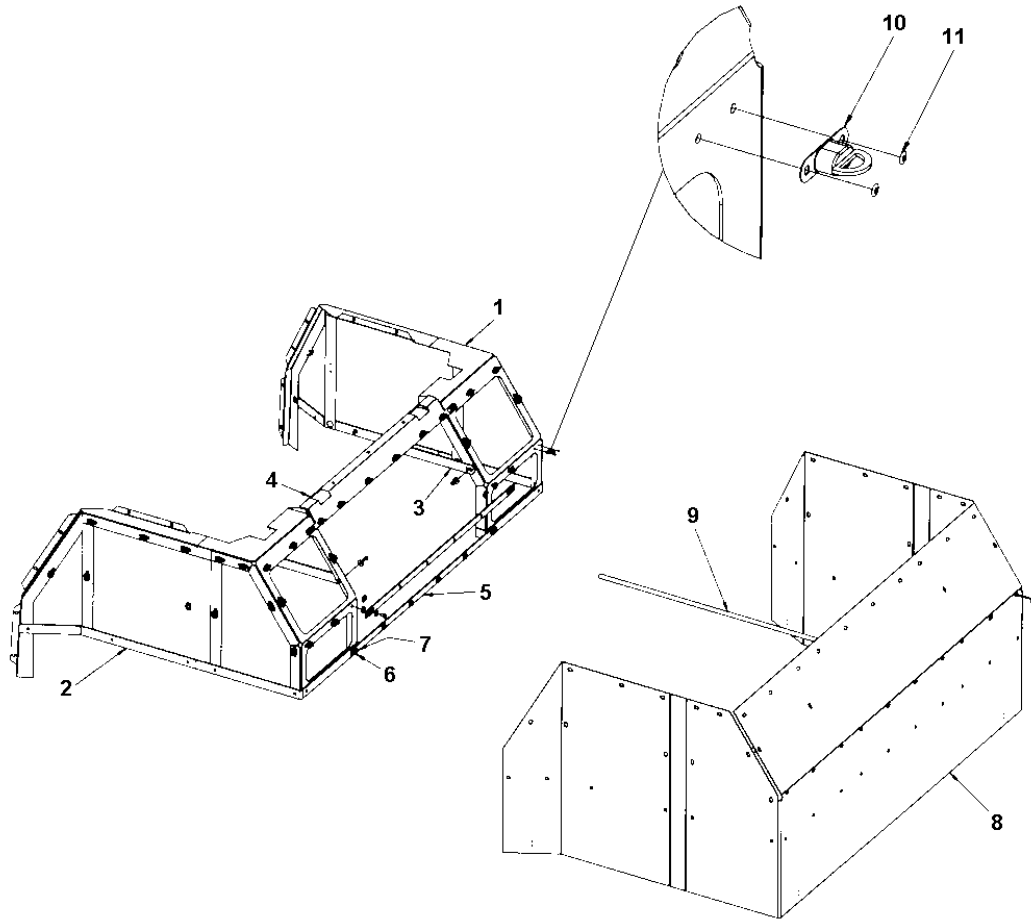
- Thank you very much for reading the preview of the manual.
- You can download the complete manual from: www.heydownloads.com by clicking the link below



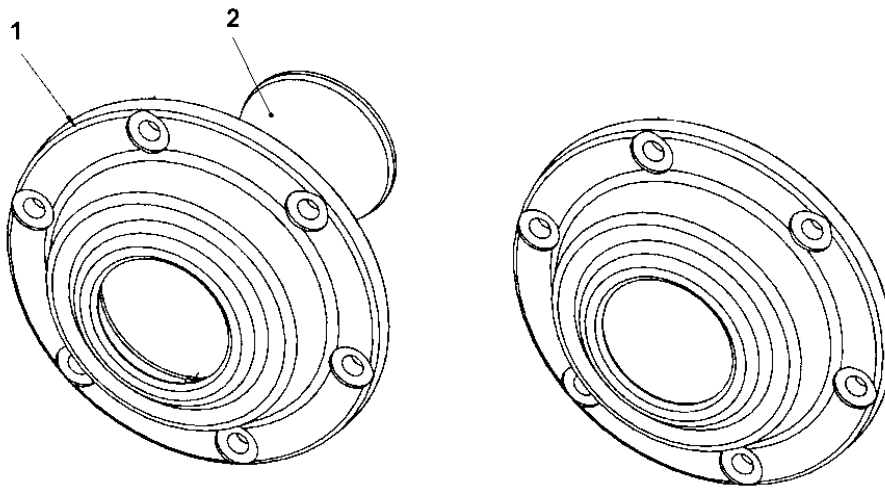
- Please note: If there is no response to CLICKING the link, please download this PDF first and then click on it.

CLICK HERE TO **DOWNLOAD** THE COMPLETE MANUAL

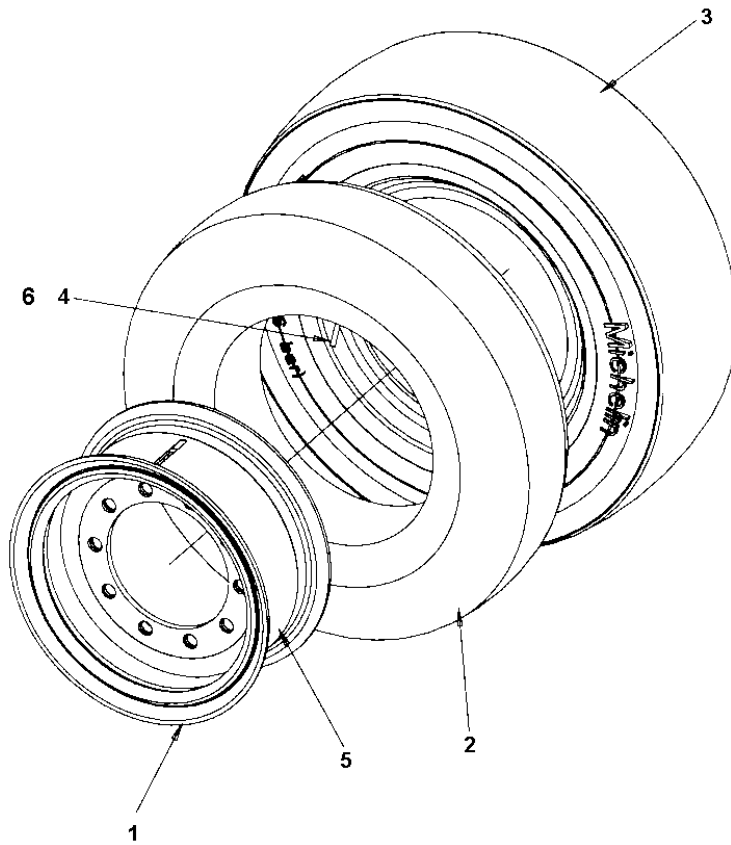
Bracket assy, Protective cover Rear Bracket assy, Protective cover Rear



Cover Cover



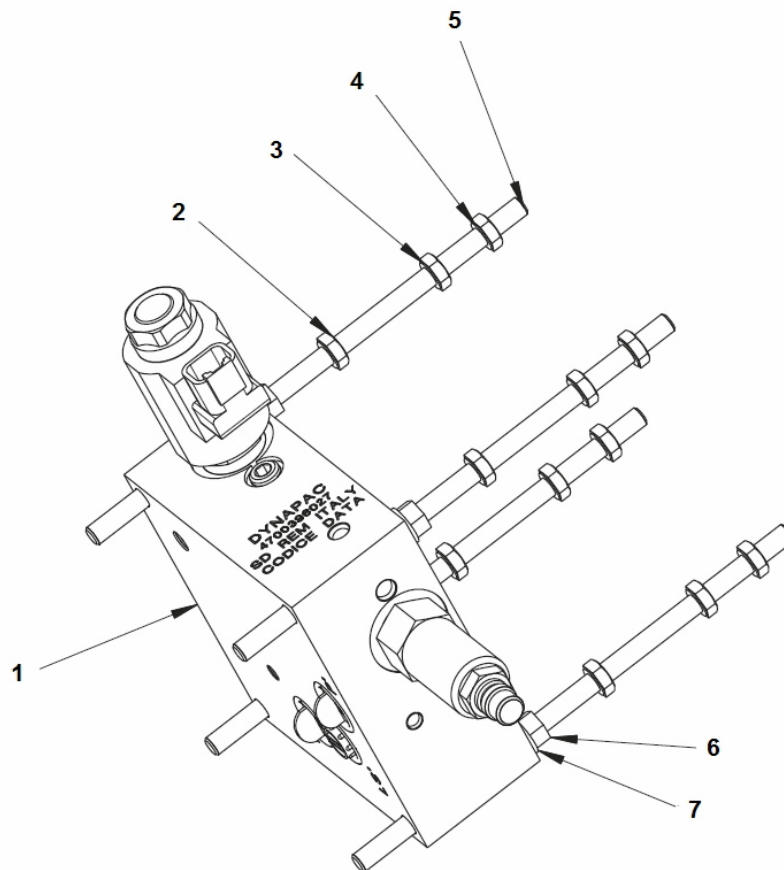
Wheel Michelin Wheel Michelin



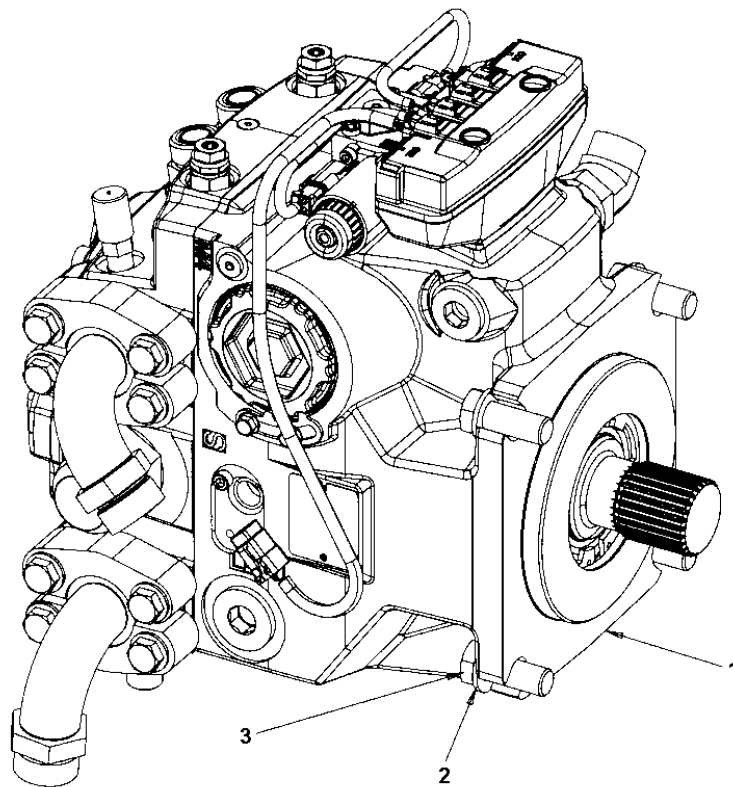
Refer to Parts Online for the most up to date information. The printed information might be outdated.

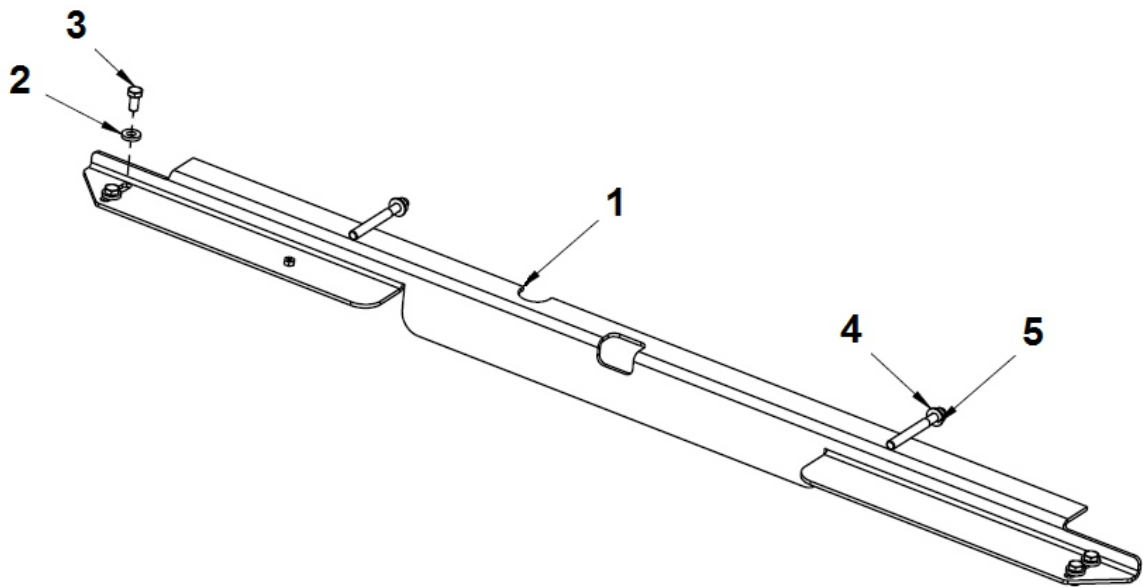
Mon Jun 01 07:44:34 MDT 2015

Hydraulic system 4812118386 Hydraulic valve module overspeed protection

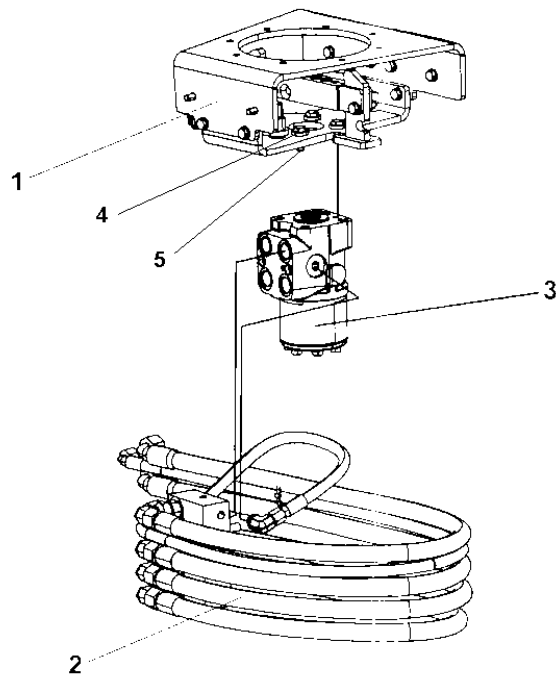


Hydraulic pump module Hydraulic pump module

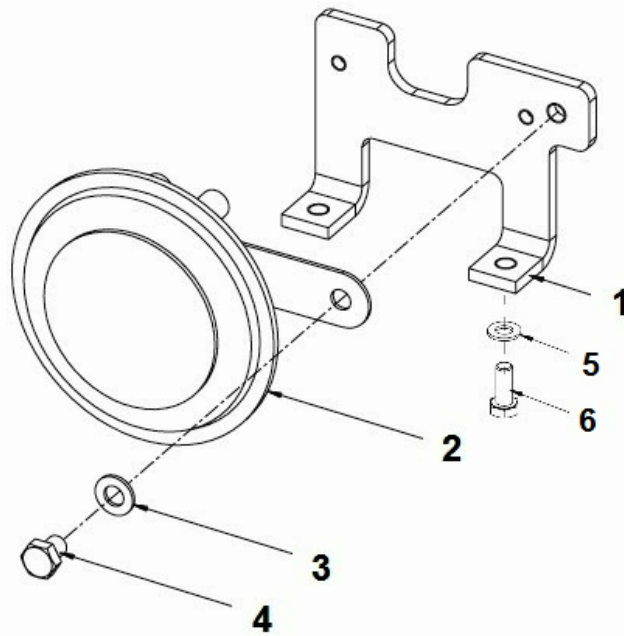




Hydraulic steering, sliding seat Hydraulic steering, sliding seat



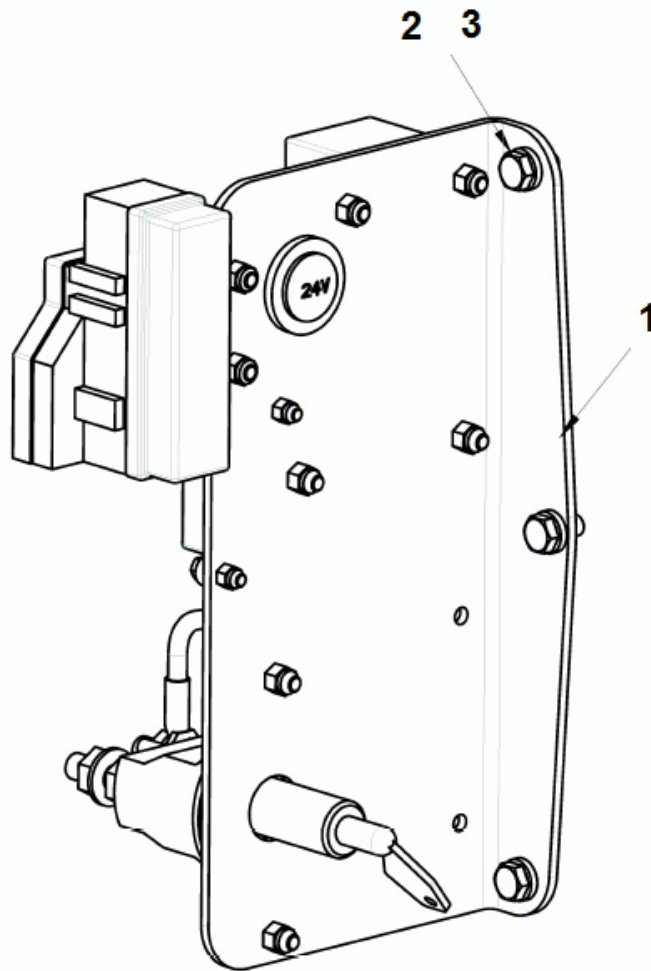
Electric system Horn module



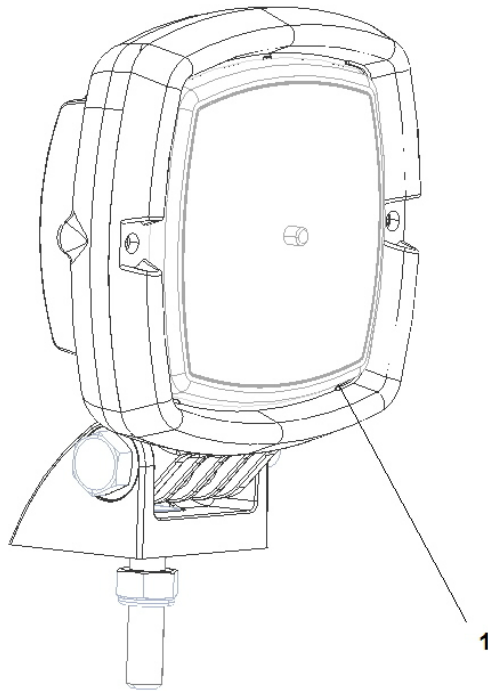
Refer to Parts Online for the most up to date information. The printed information might be outdated.

Mon Jun 01 07:44:44 MDT 2015

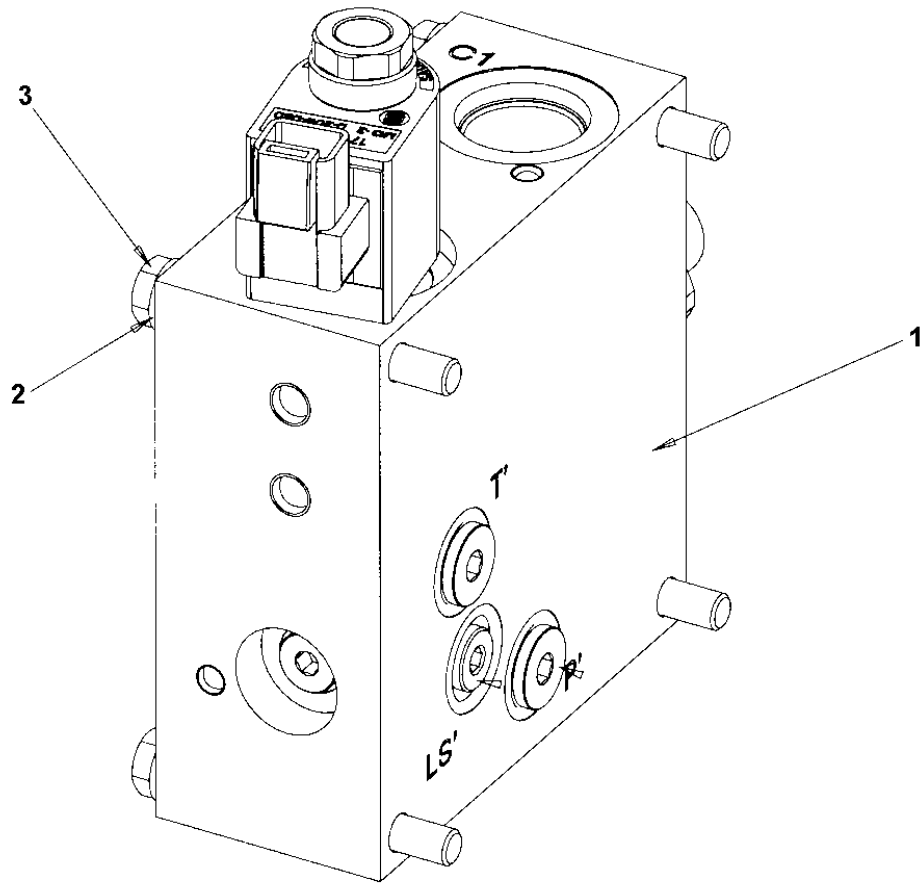
Disconnecter battery Battery disconnecter module



Night worklight LED Working lights module



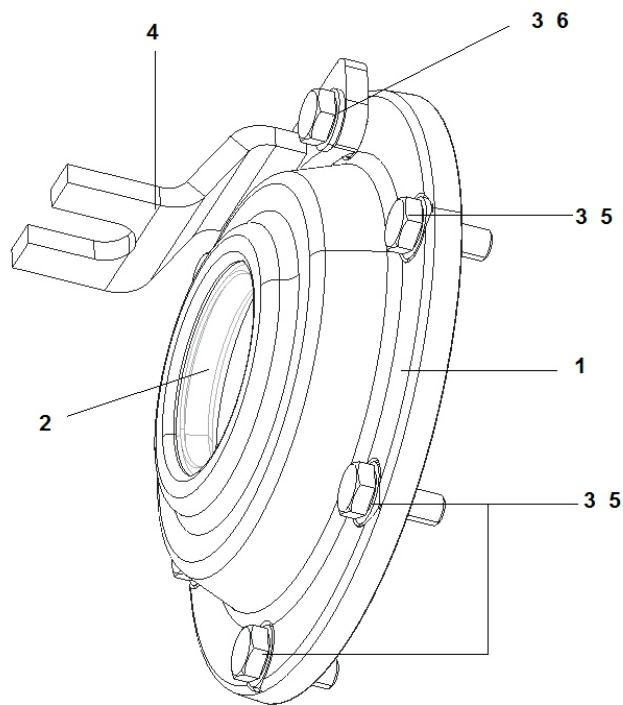
Air on the run Hydraulic valve module Air on the run



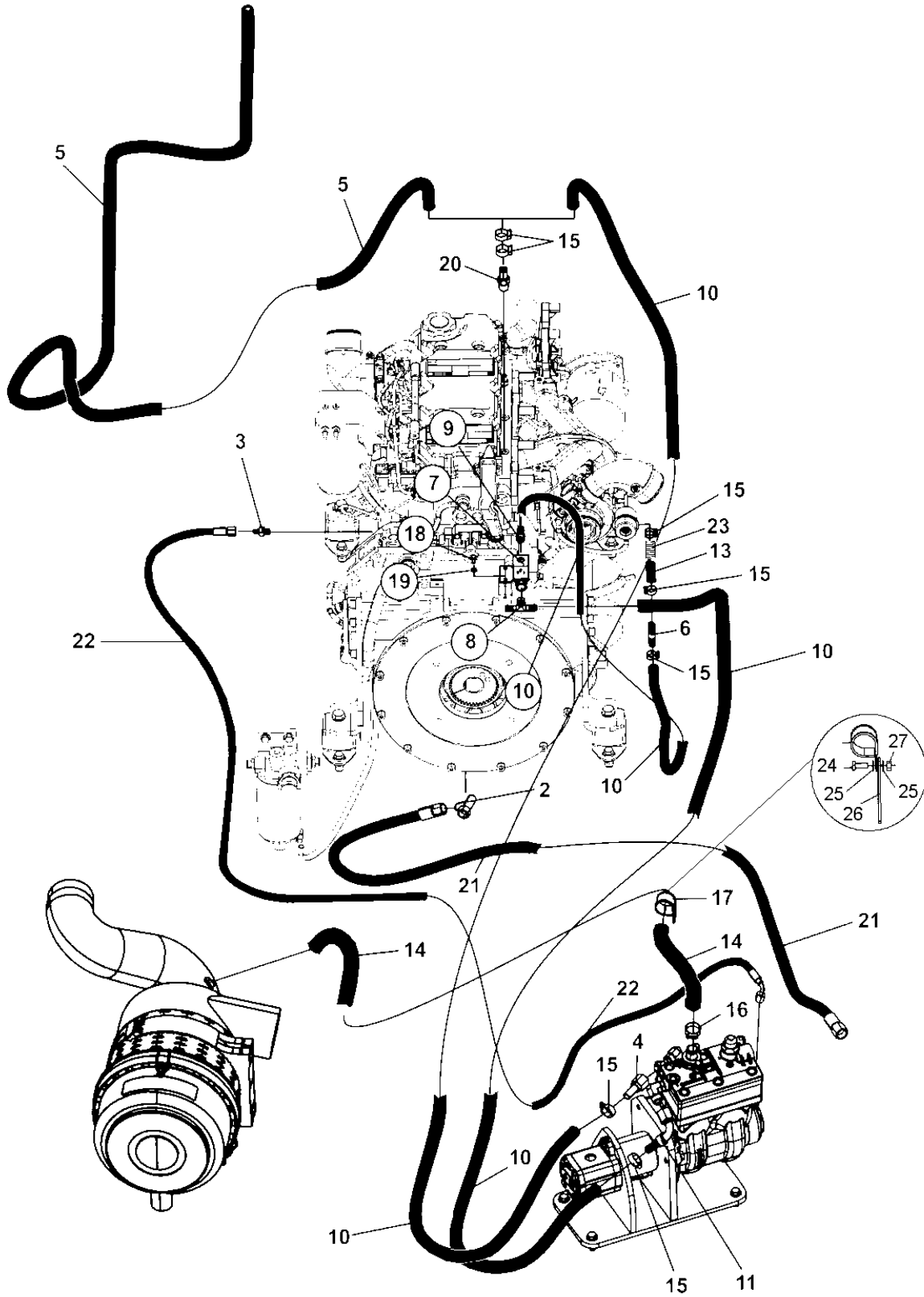
Refer to Parts Online for the most up to date information. The printed information might be outdated.

Mon Jun 01 07:44:50 MDT 2015

Air on the run Cover module



Hose assy kit Hydraulic hoses, with cab Air on the run



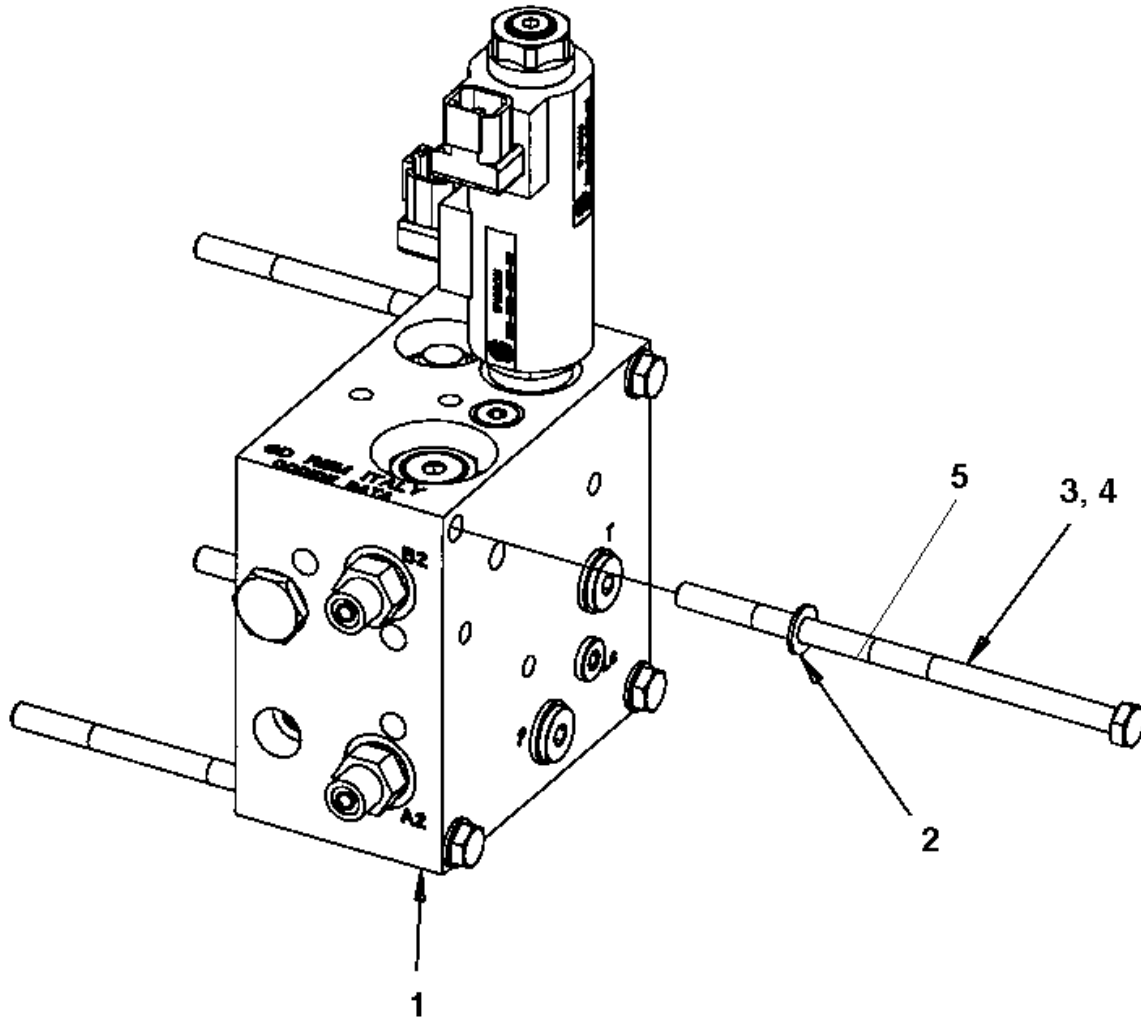
Refer to Parts Online for the most up to date information. The printed information might be outdated.

Mon Jun 01 07:44:54 MDT 2015

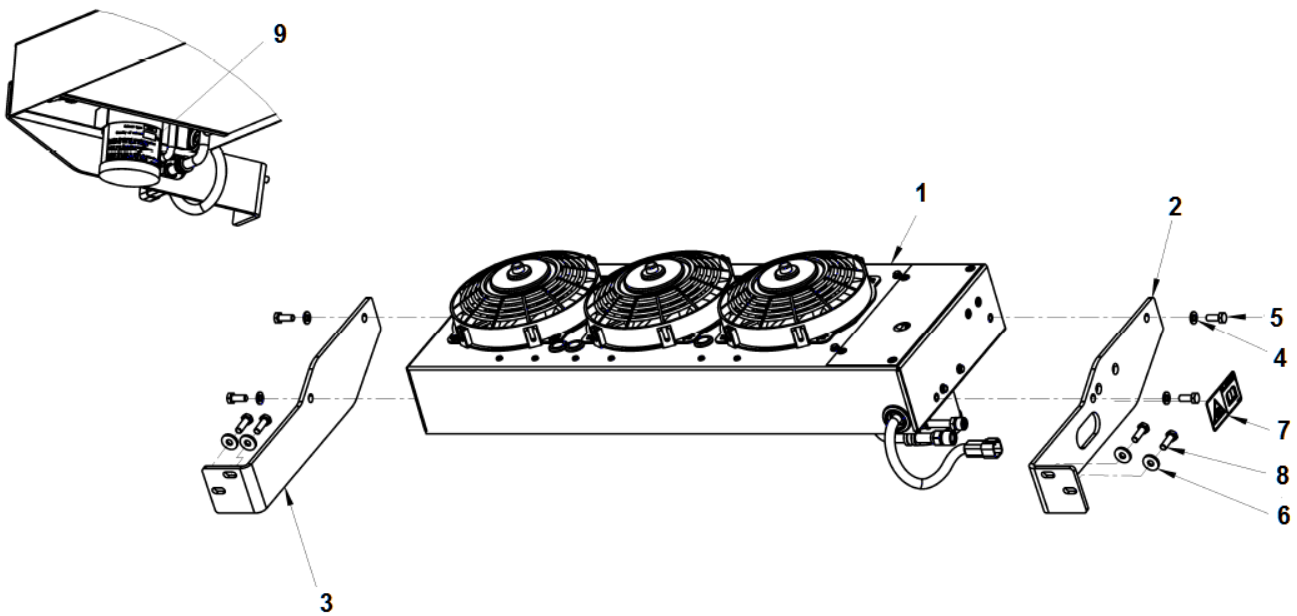
A | en_US | Length as required.

B | en_US | L= 0.3 m

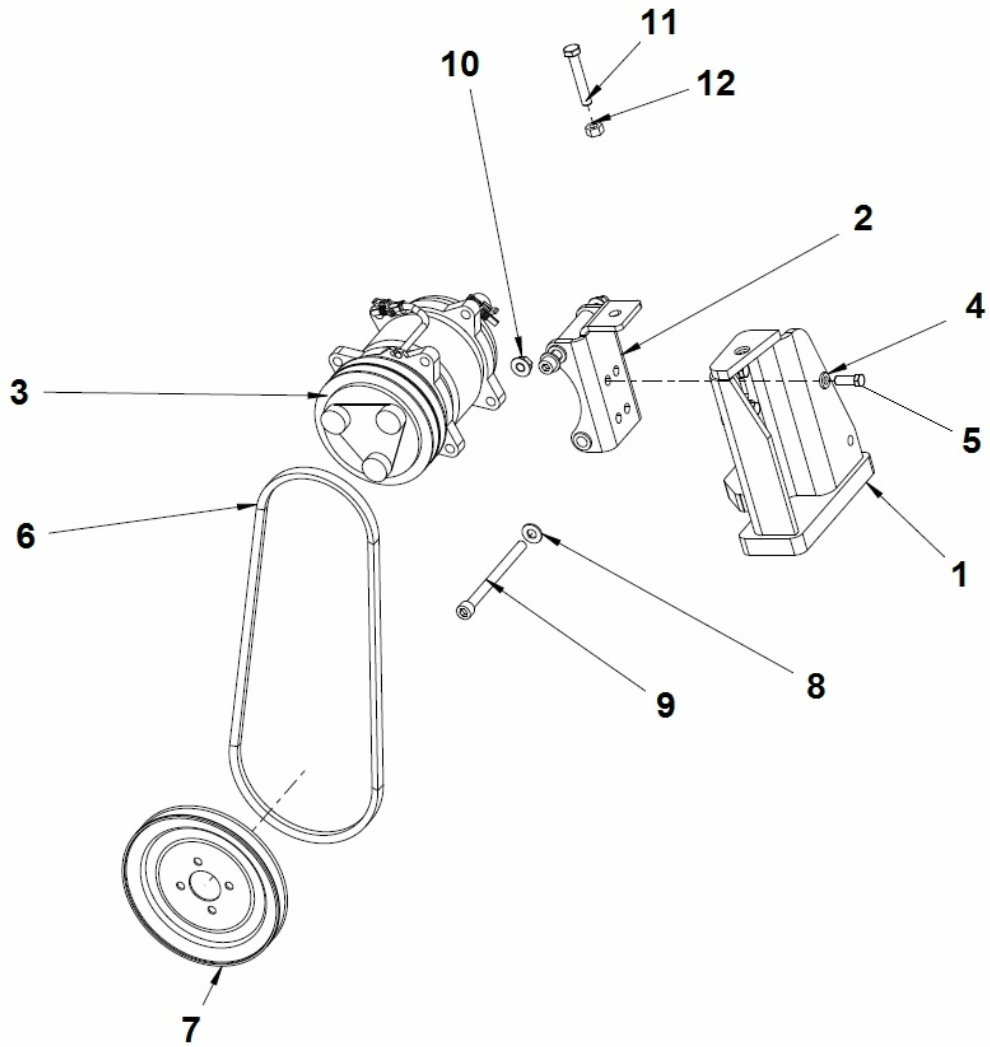
Hydraulic valve module Hydraulic valve module



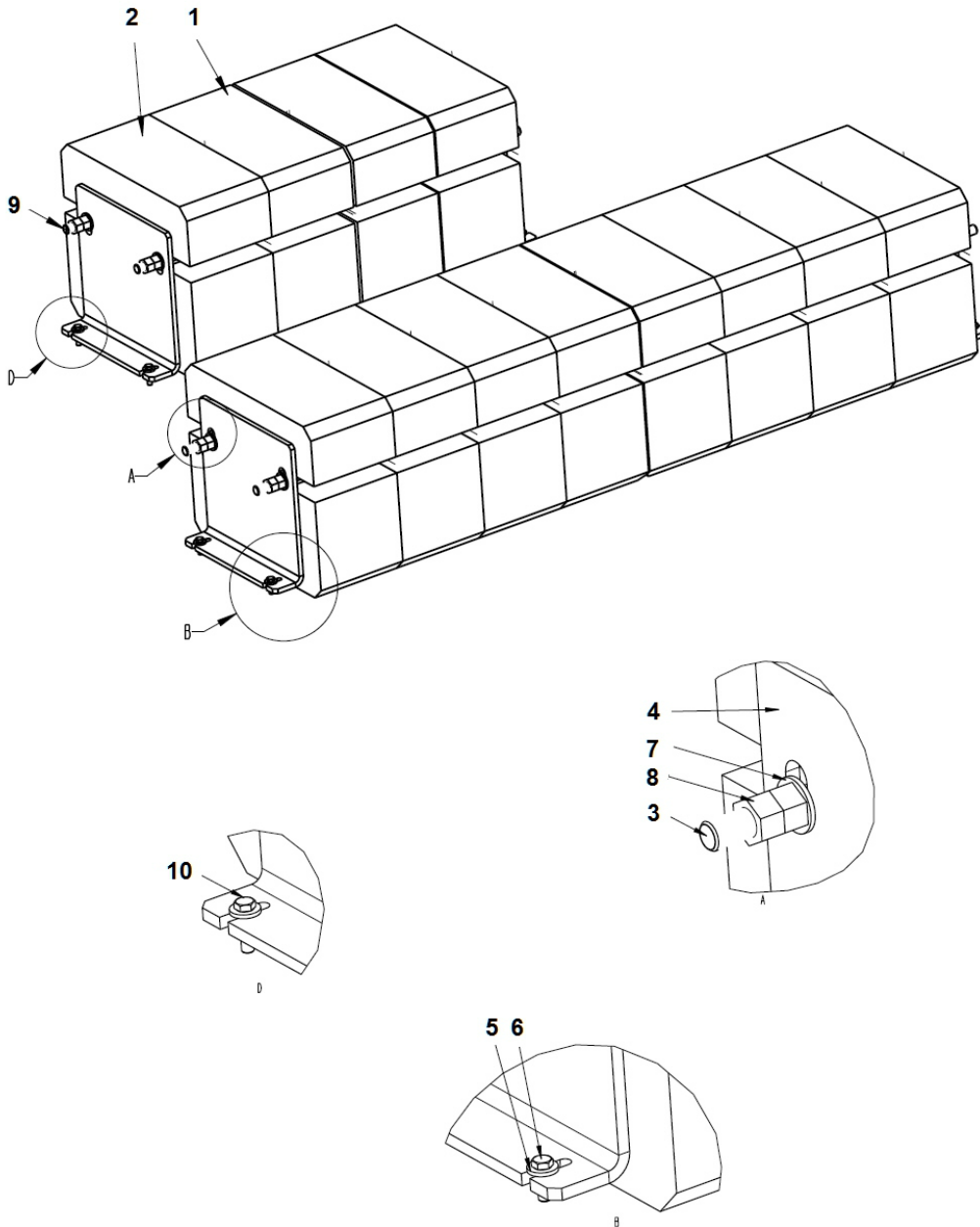
Standard AC Condensor module



Standard AC Compressor assy



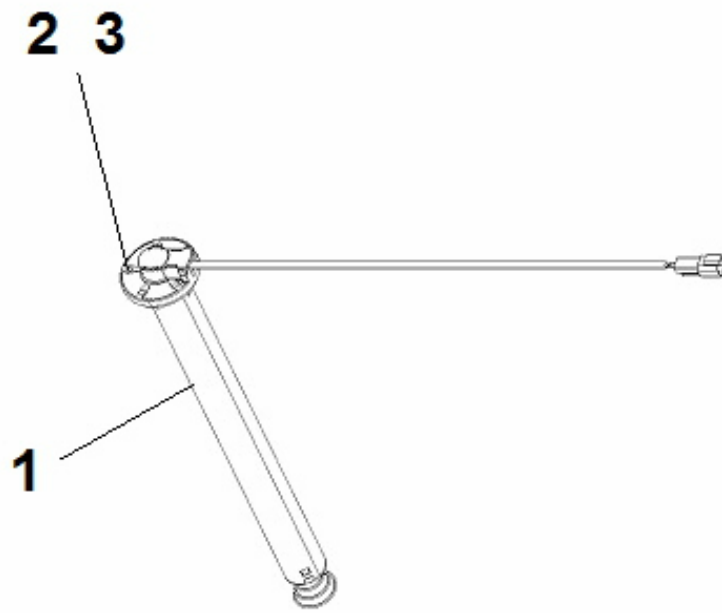
Steel ballast Ballast module 12 plates



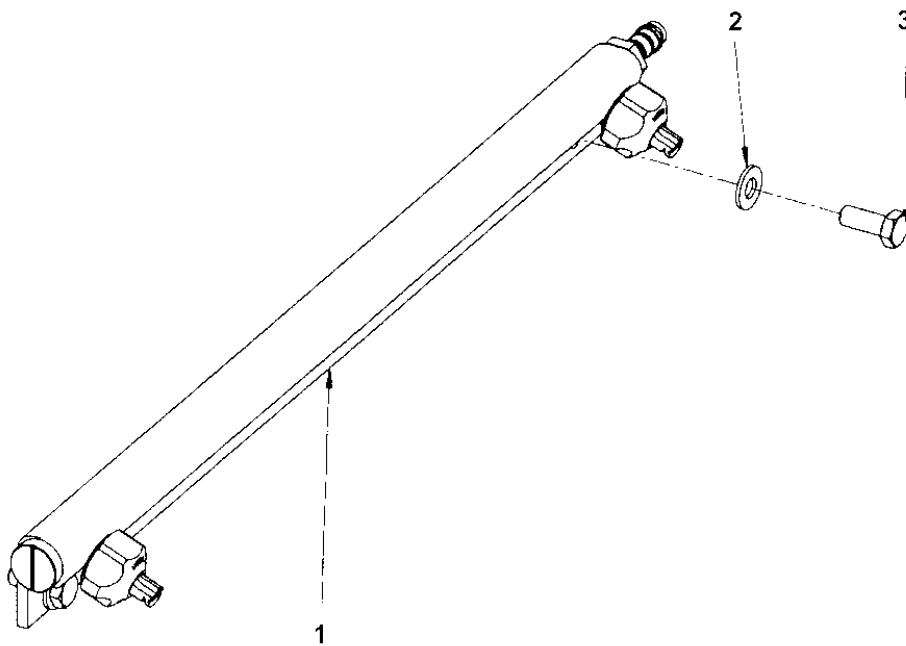
Refer to Parts Online for the most up to date information. The printed information might be outdated.

Mon Jun 01 07:45:04 MDT 2015

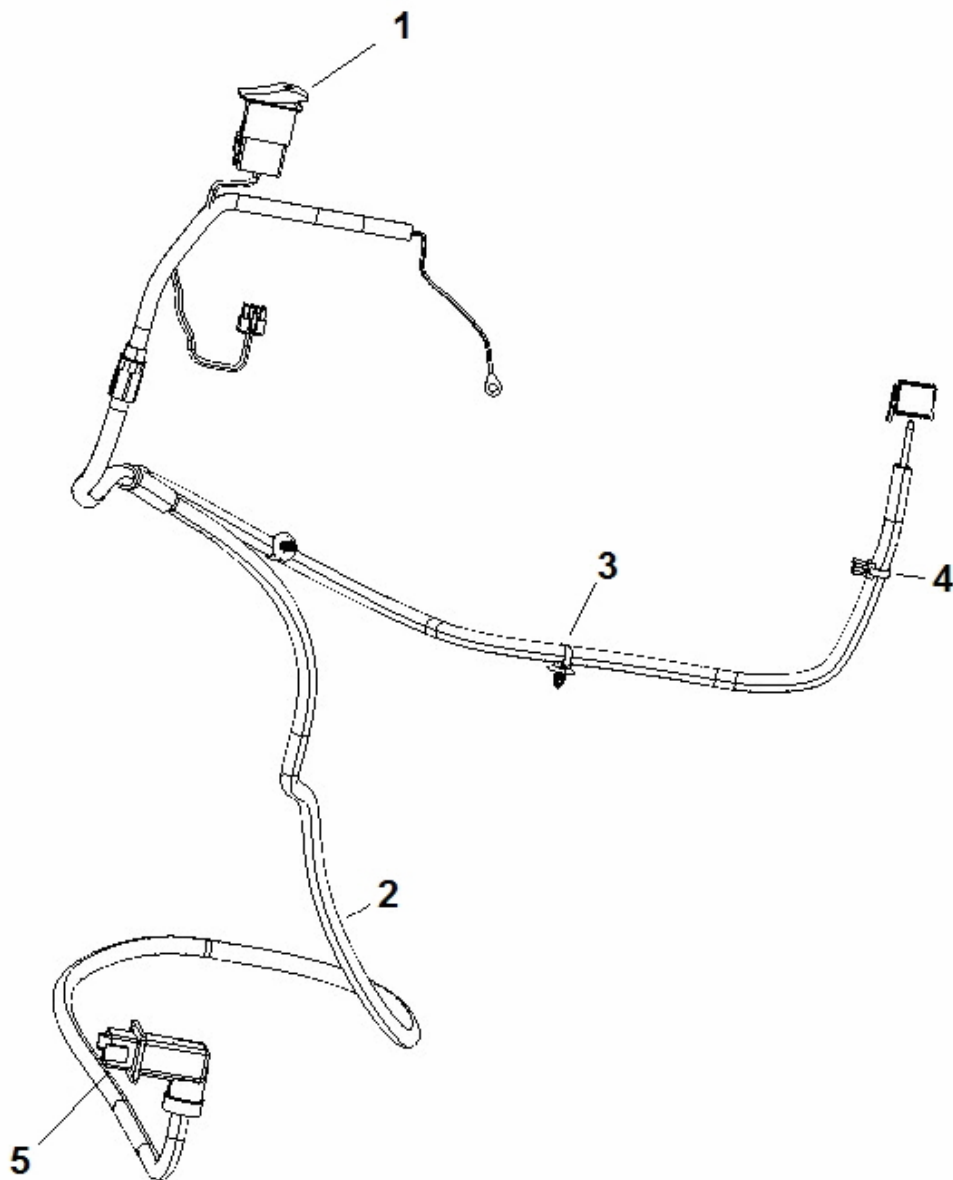
Cocoa mats Level sensor module



Sprinkler pipe module Sprinkler pipe module



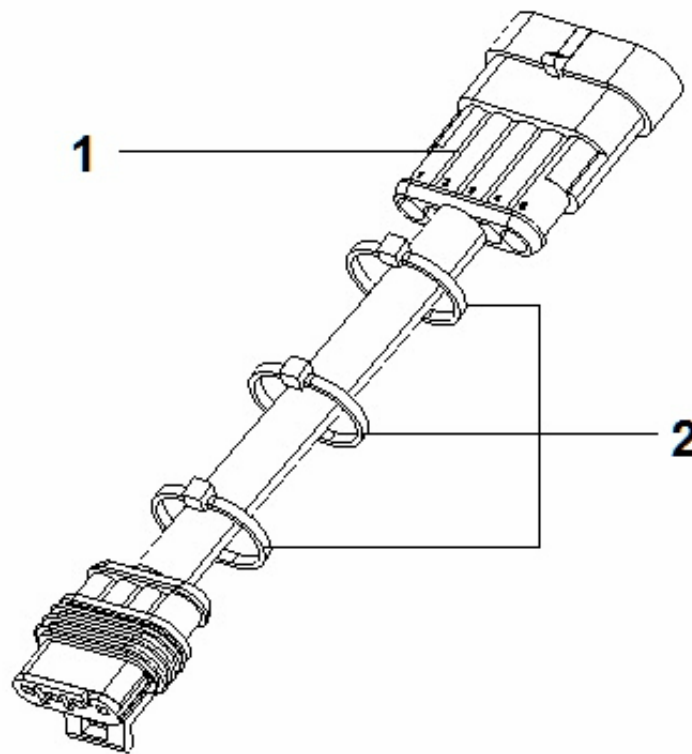
Driving lights RH 4812115521 Wiring Harness Kit



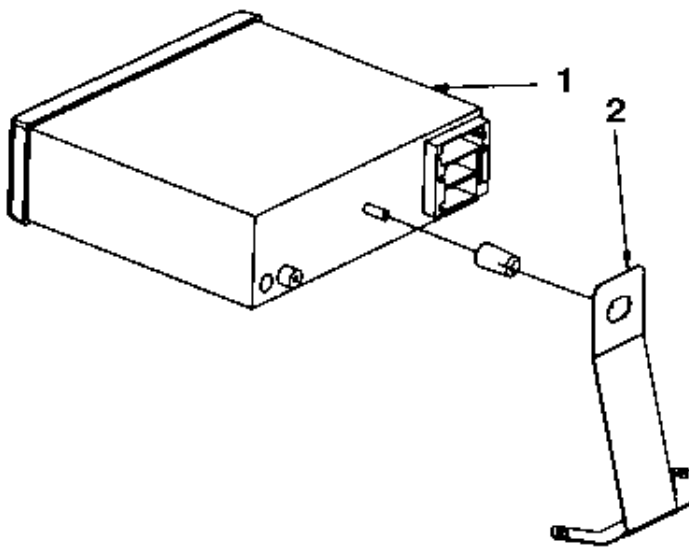
Refer to Parts Online for the most up to date information. The printed information might be outdated.

Mon Jun 01 07:45:07 MDT 2015

Driving lights RH Wiring harness kit



Radio and CD Player Radio and cd player module



CLICK HERE TO **DOWNLOAD** THE COMPLETE MANUAL

- Thank you very much for reading the preview of the manual.
- You can download the complete manual from: www.heydownloads.com by clicking the link below



- Please note: If there is no response to CLICKING the link, please download this PDF first and then click on it.

CLICK HERE TO **DOWNLOAD** THE COMPLETE MANUAL