

# CP2100

---

## Spare parts list

### Pneumatic Roller

CP2100 Tier 3 s/n 10000501x0B003915 -

Engine: Cummins QSB 3.3



CLICK HERE TO **DOWNLOAD** THE COMPLETE MANUAL

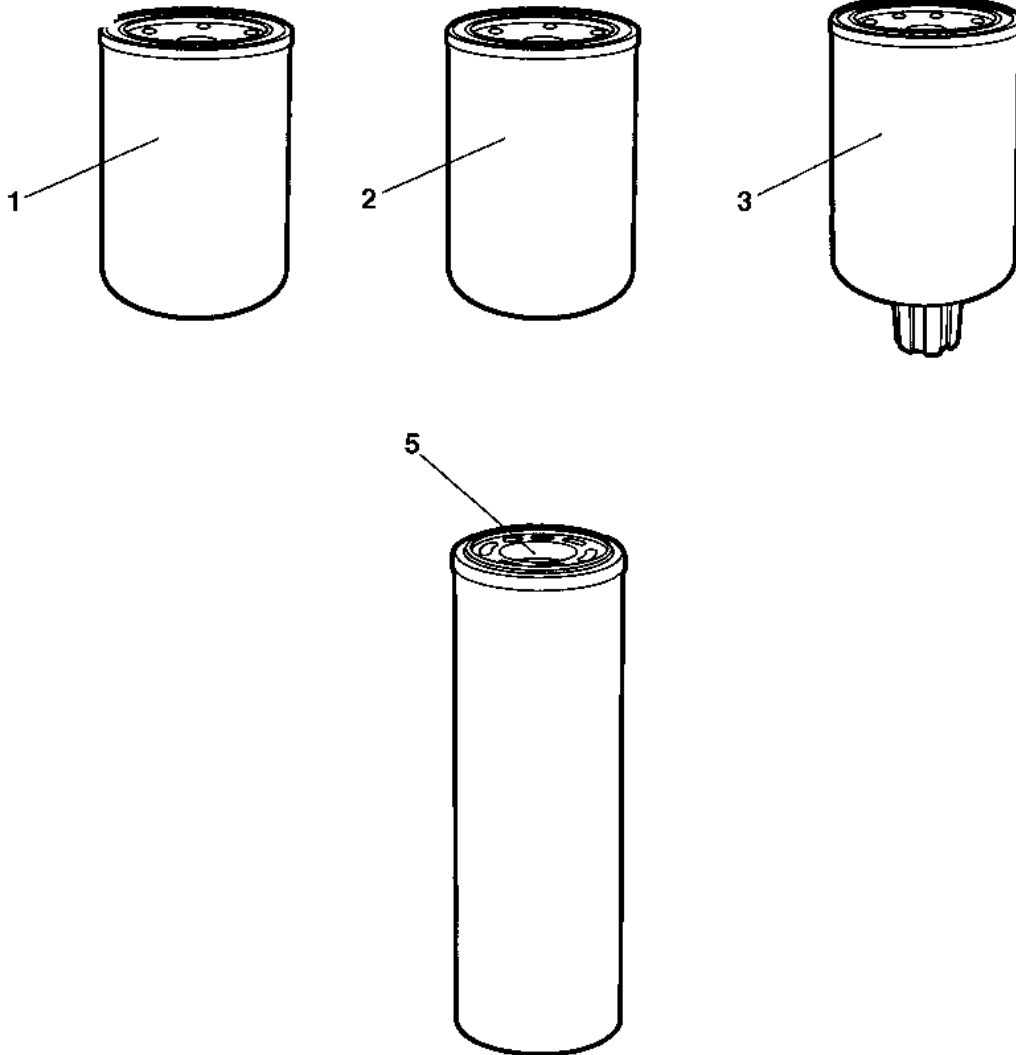
- Thank you very much for reading the preview of the manual.
- You can download the complete manual from: [www.heydownloads.com](http://www.heydownloads.com) by clicking the link below



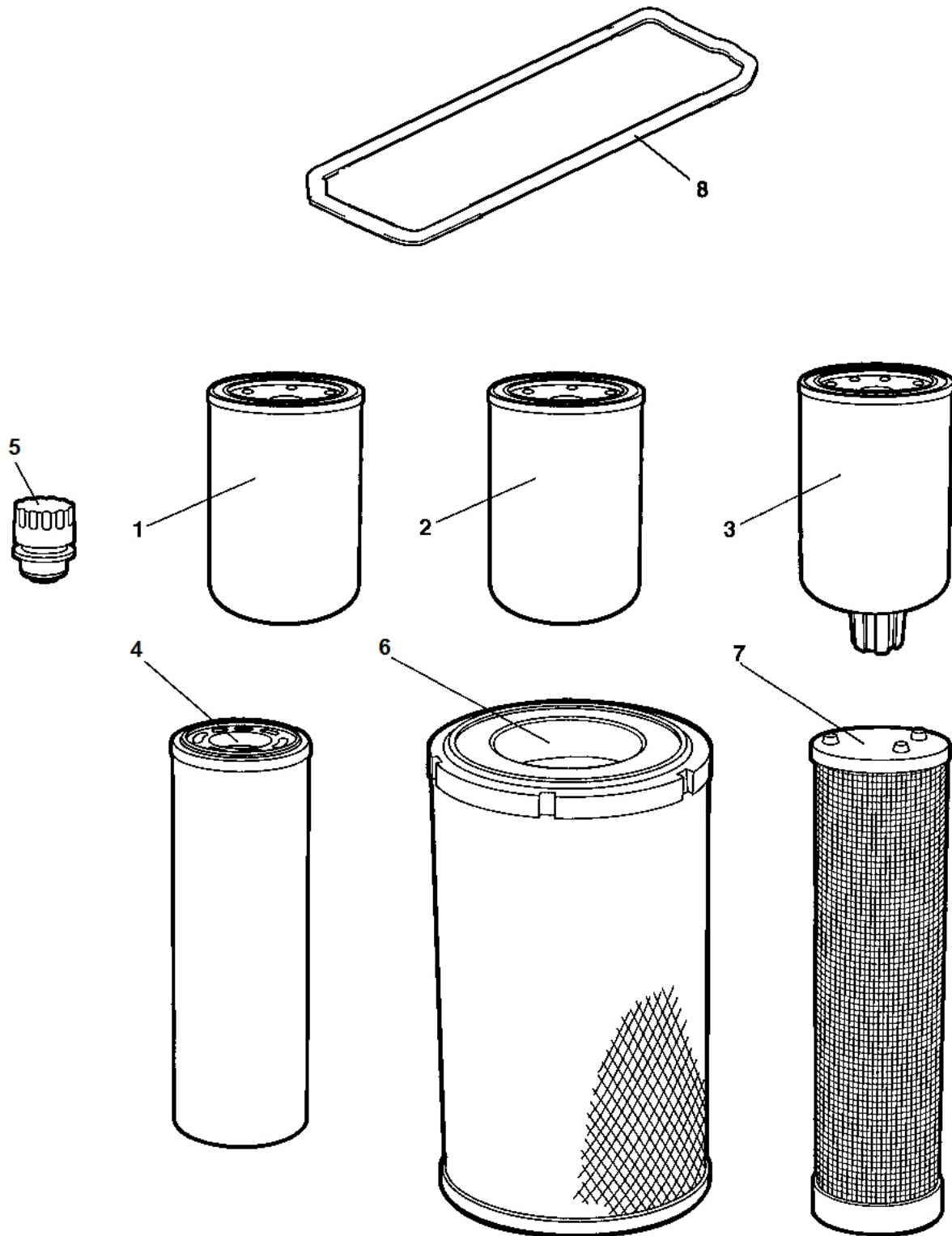
- Please note: If there is no response to CLICKING the link, please download this PDF first and then click on it.

CLICK HERE TO **DOWNLOAD** THE COMPLETE MANUAL

**Service, repair and wear part kits** 4812155996 Service kit 50h, QSB 3.3



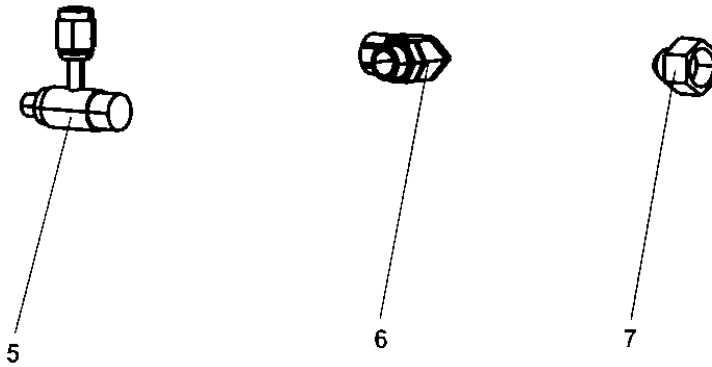
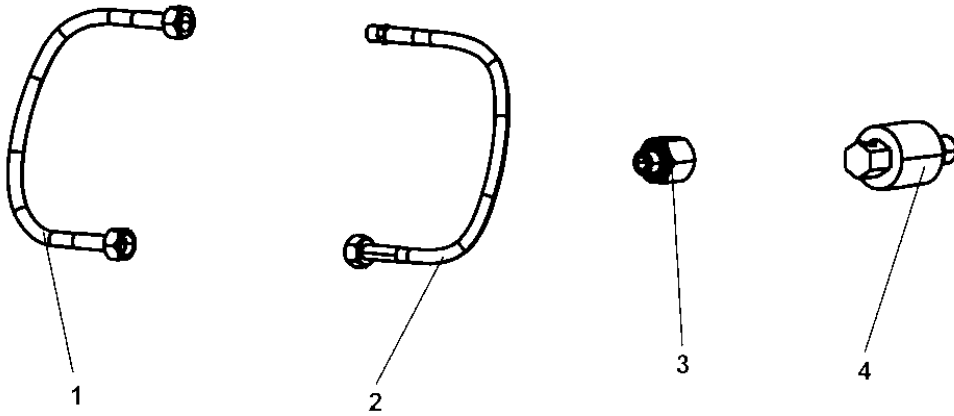
**Service, repair and wear part kits** Service kit 1000h, QSB 3.3



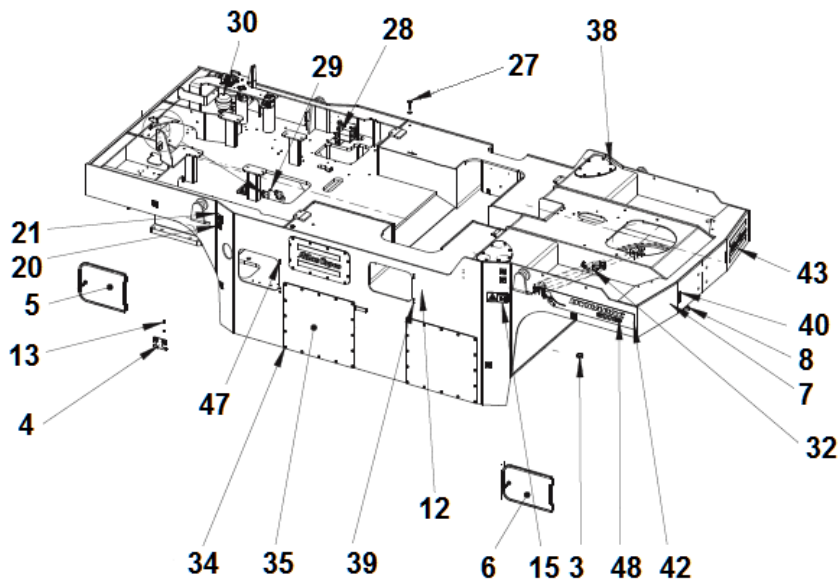
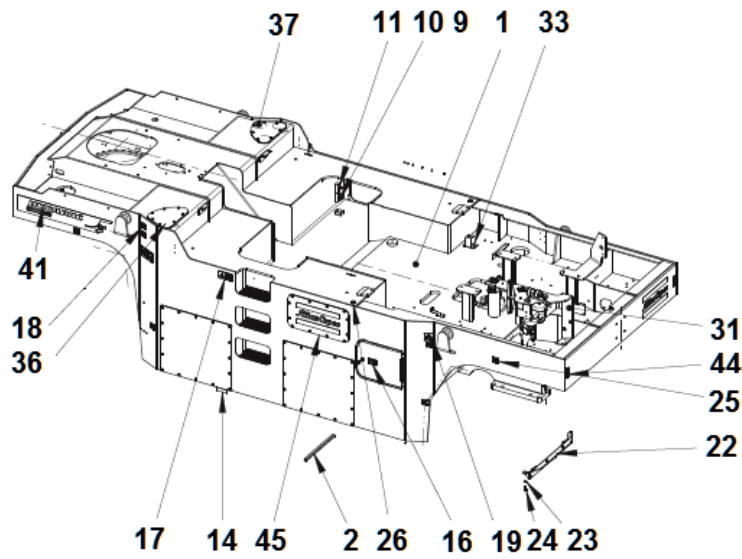
Refer to Parts Online for the most up to date information. The printed information might be outdated.

Mon Jun 01 07:23:38 MDT 2015

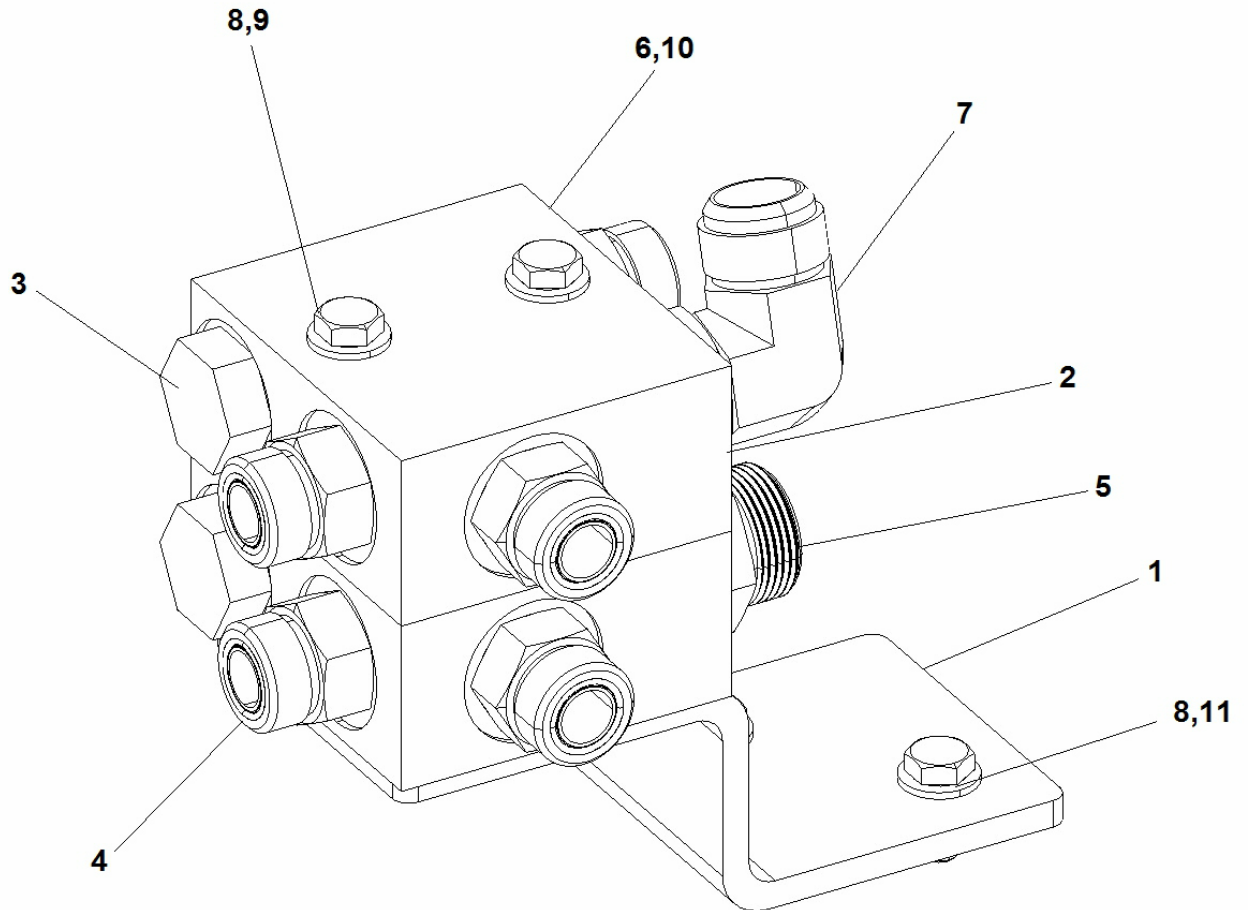
**Service, repair and wear part kits 4812155751 Air on the run kit Rear**



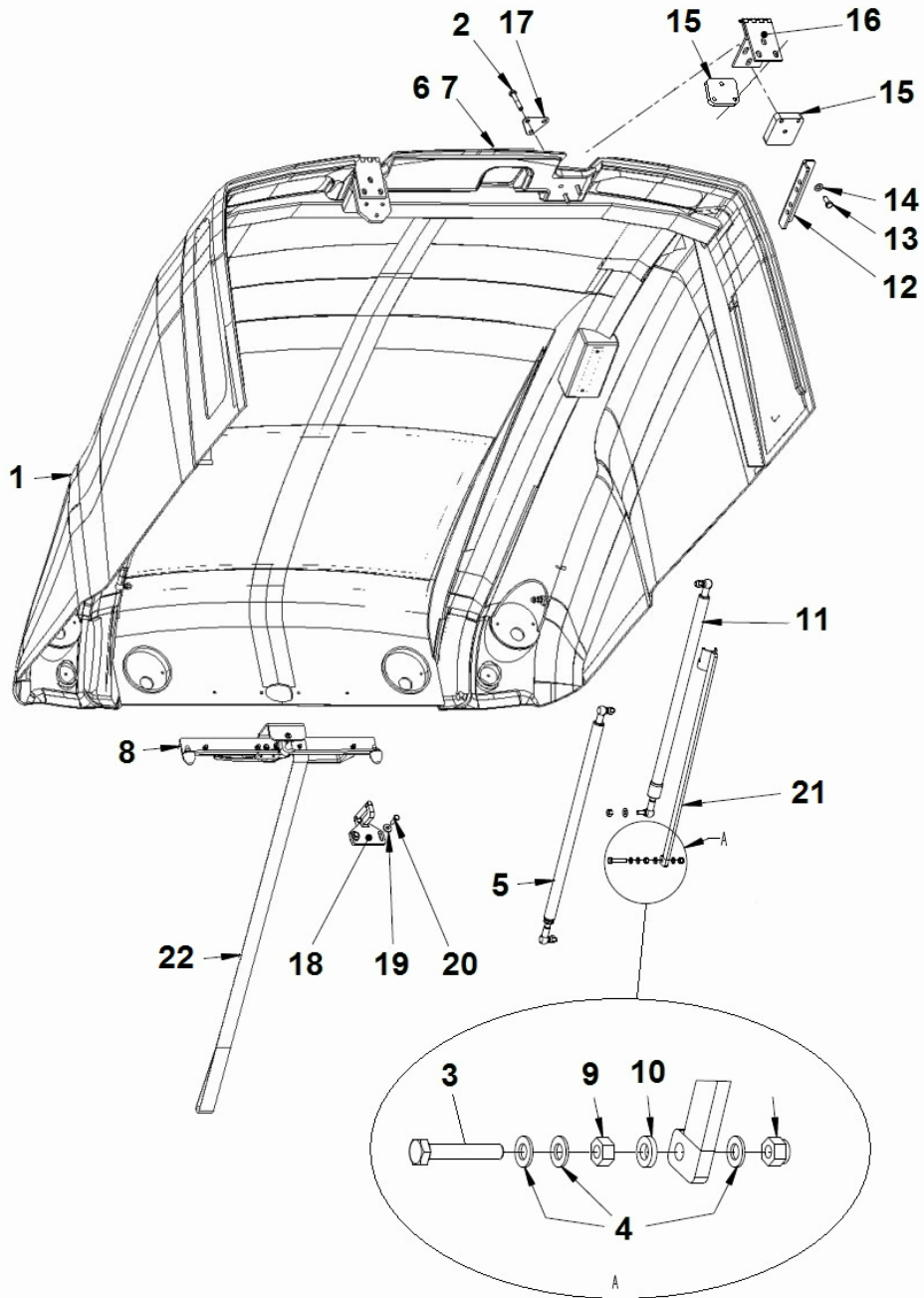
**Frame assy module** Frame assy module



**Frame assy module Manifold**



**Engine hood** Engine hood



Refer to Parts Online for the most up to date information. The printed information might be outdated.

Mon Jun 01 07:23:46 MDT 2015

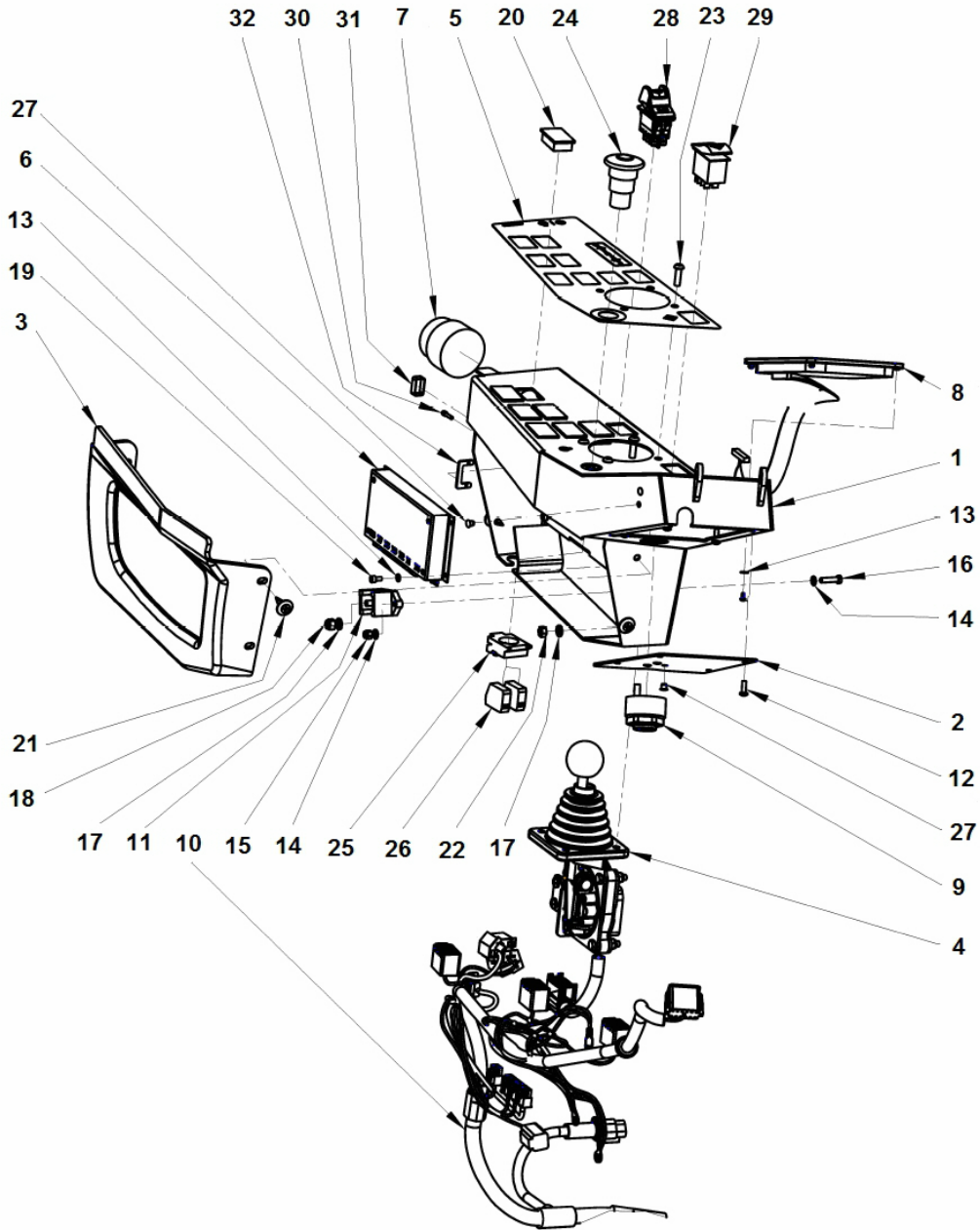
Item	Part No.	Name	Qty	L
53	4700313001	Hose clamp	4	
54	4700904214	Washer 15x30x4 300 HV	1	
55	4700902520	Screw	6	

Comments for Page: Seat frame

41 - L = 0,16m

42 - L = 0,18m

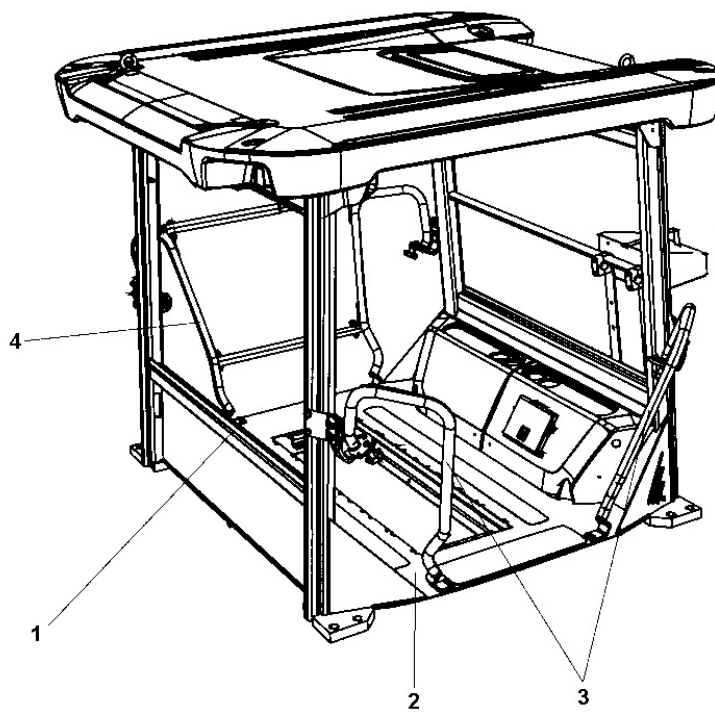
**Operator platform 4812116077 Drive control**



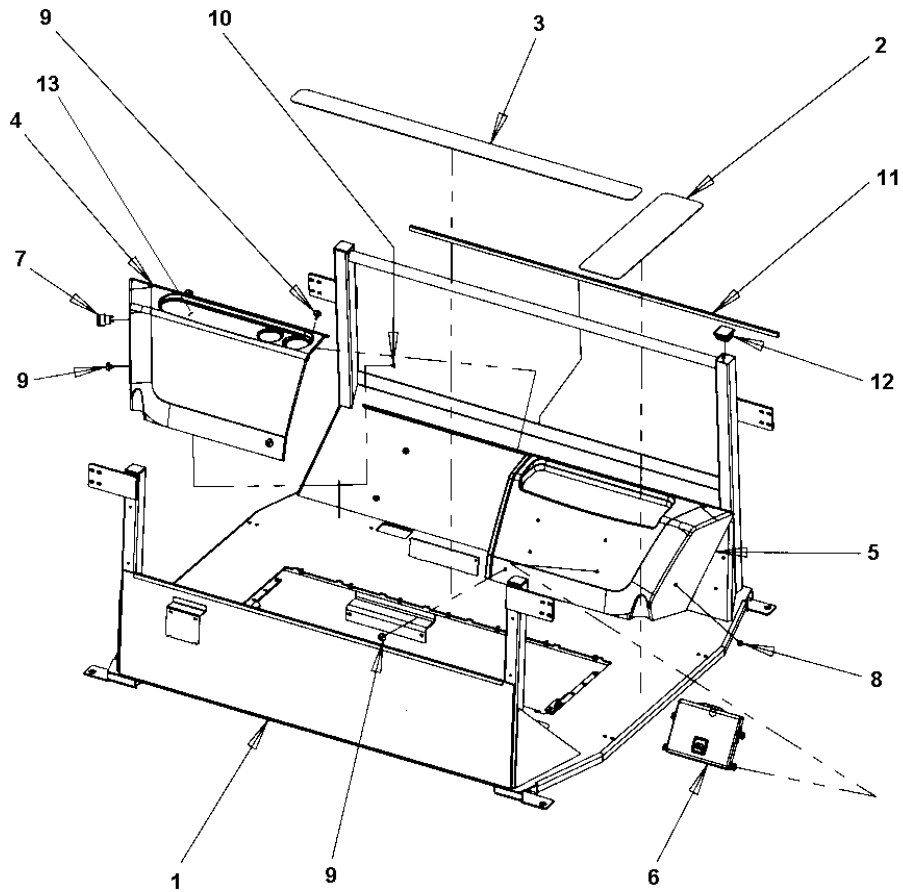
Refer to Parts Online for the most up to date information. The printed information might be outdated.

Mon Jun 01 07:23:51 MDT 2015

**Platform, no cab** Platform, no cab



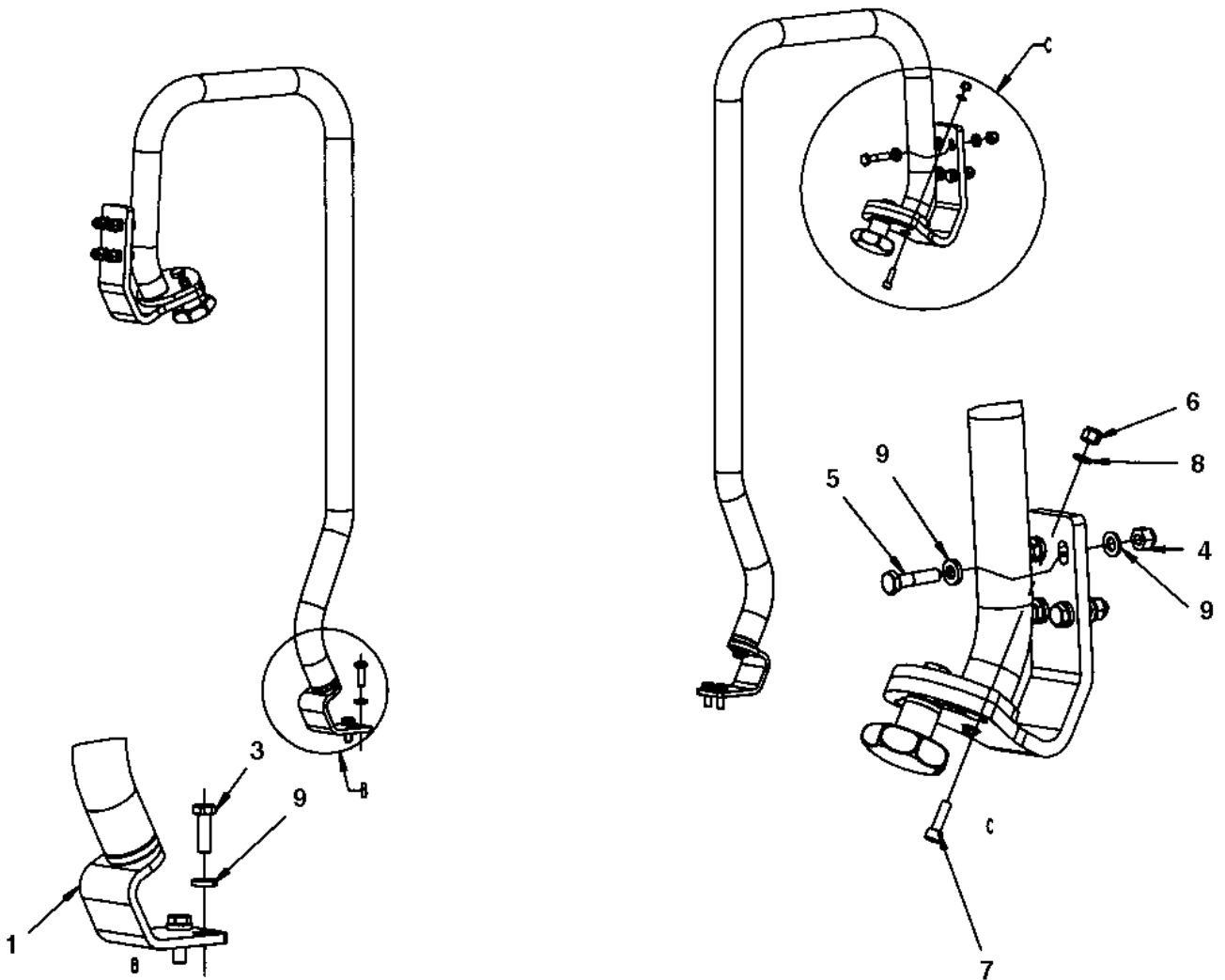
**Platform Platform**



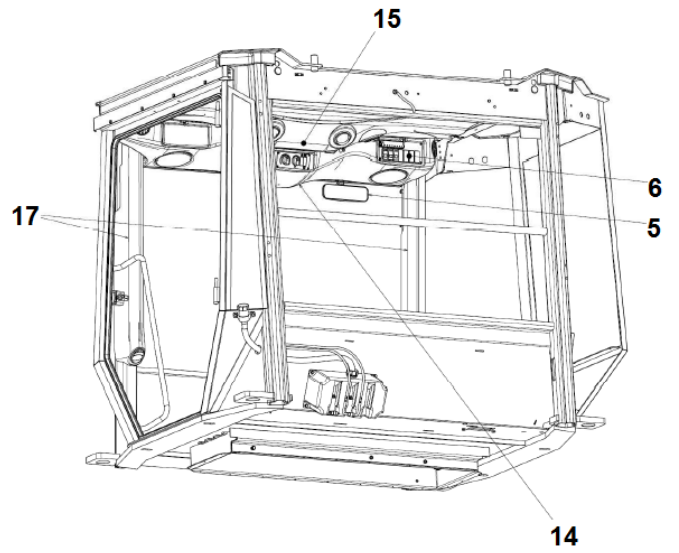
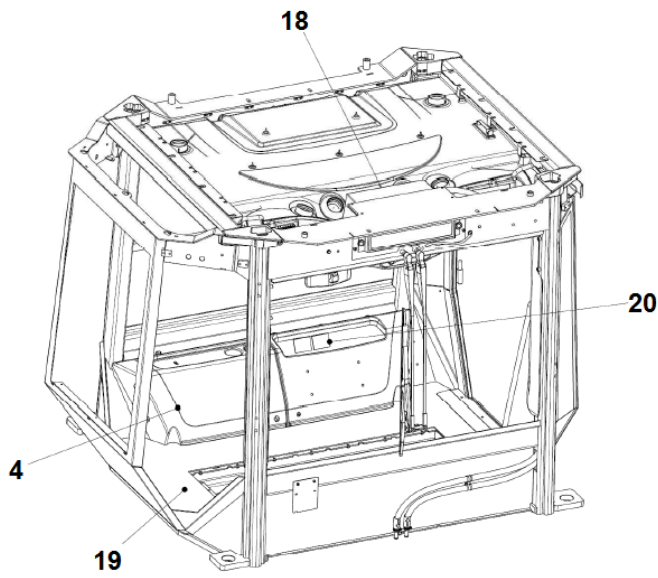
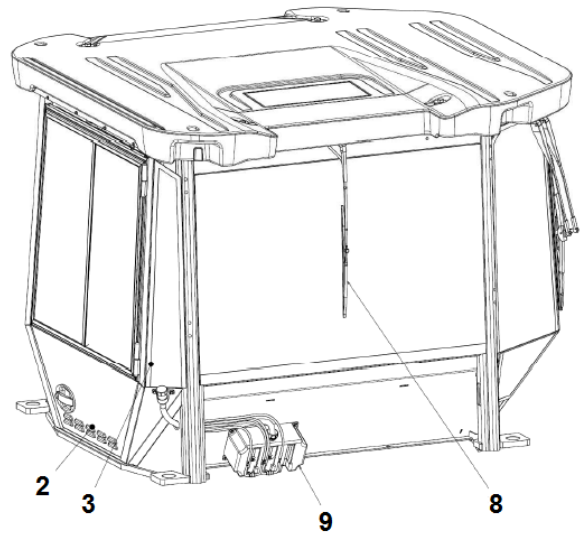
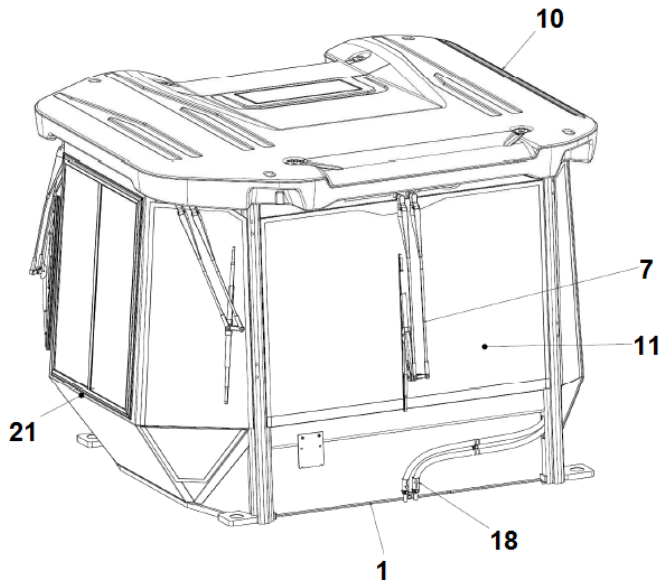
Refer to Parts Online for the most up to date information. The printed information might be outdated.

Mon Jun 01 07:23:55 MDT 2015

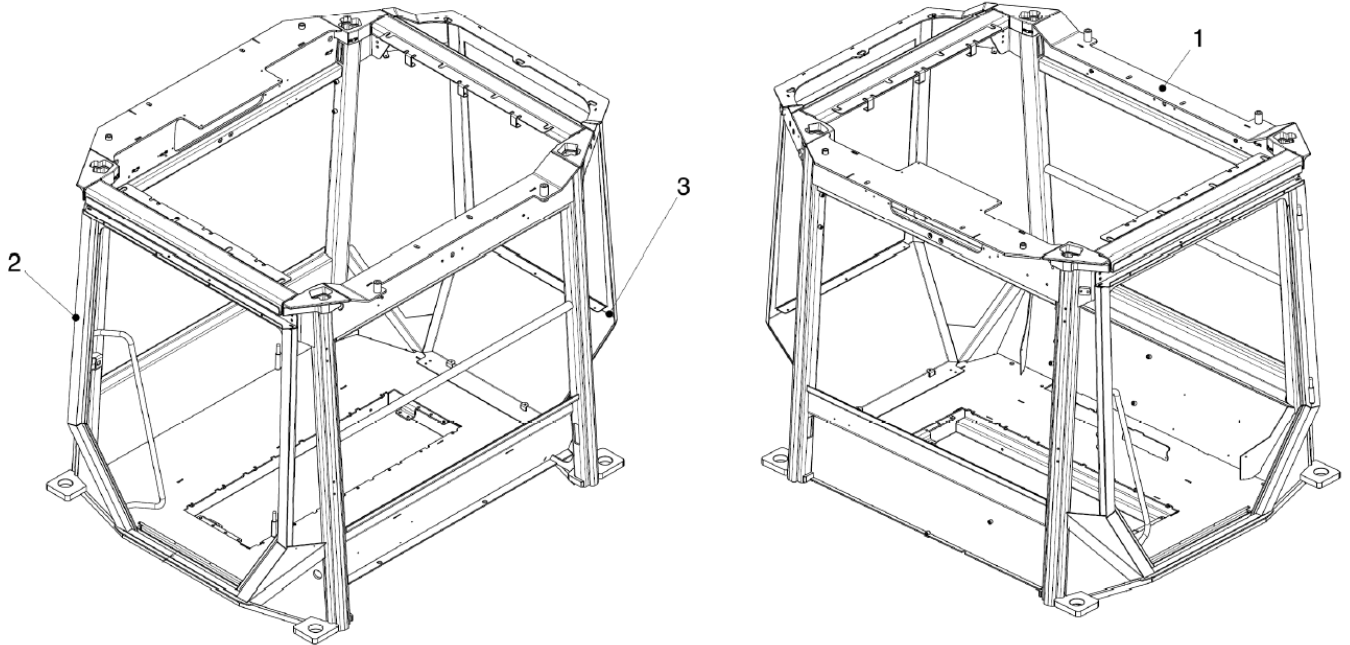
**Hand rail, left** Hand rail, left



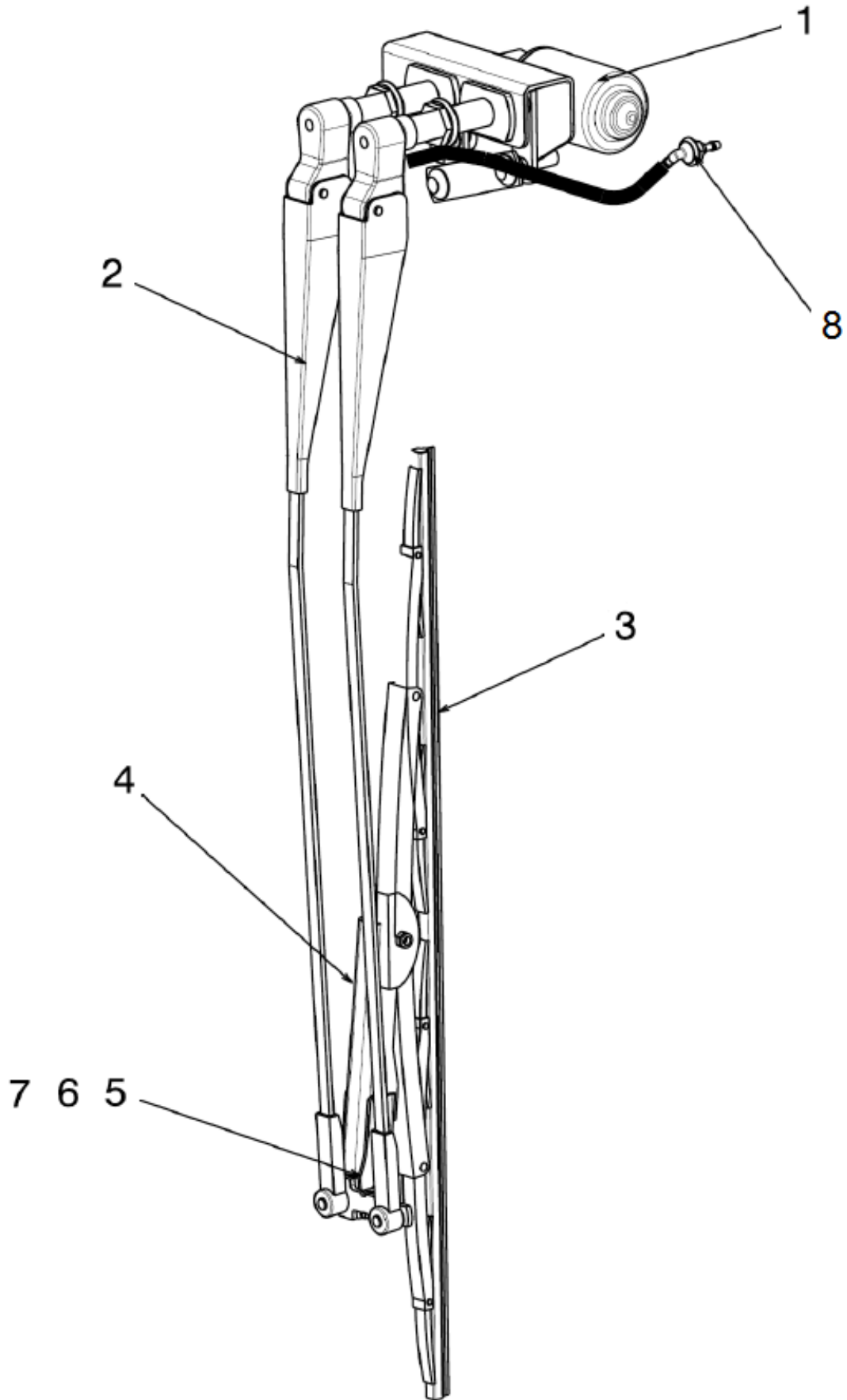
**Cab Cab**



**Cabin frame** Cabin frame



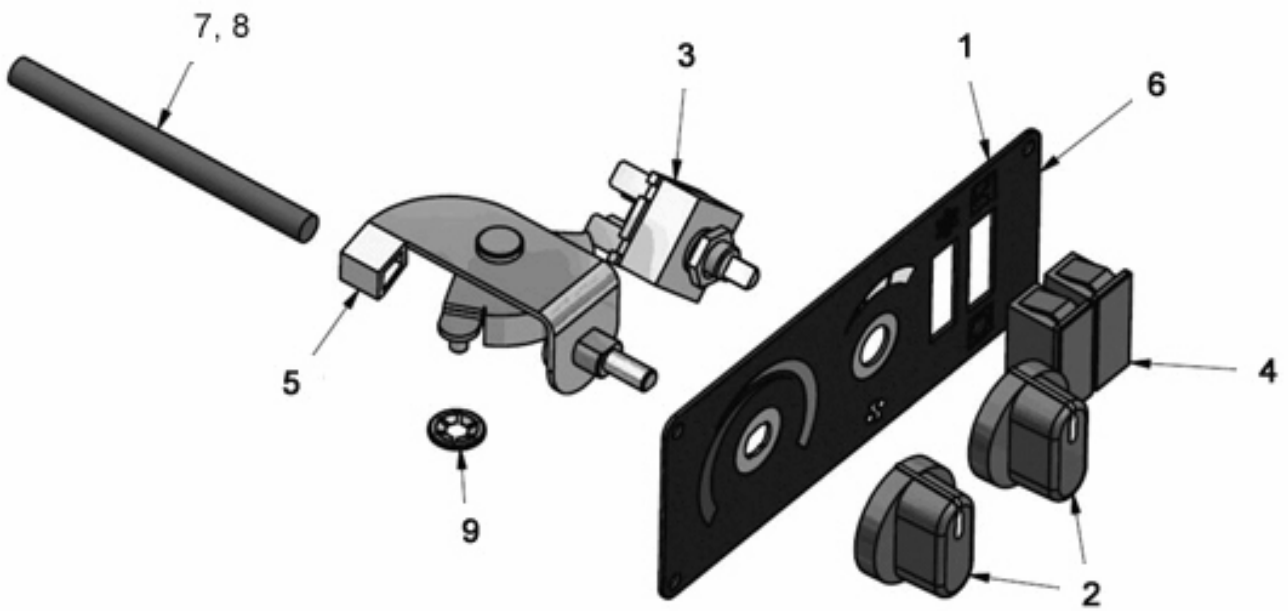
**Windscreen wipersystem** Windscreen wipersystem



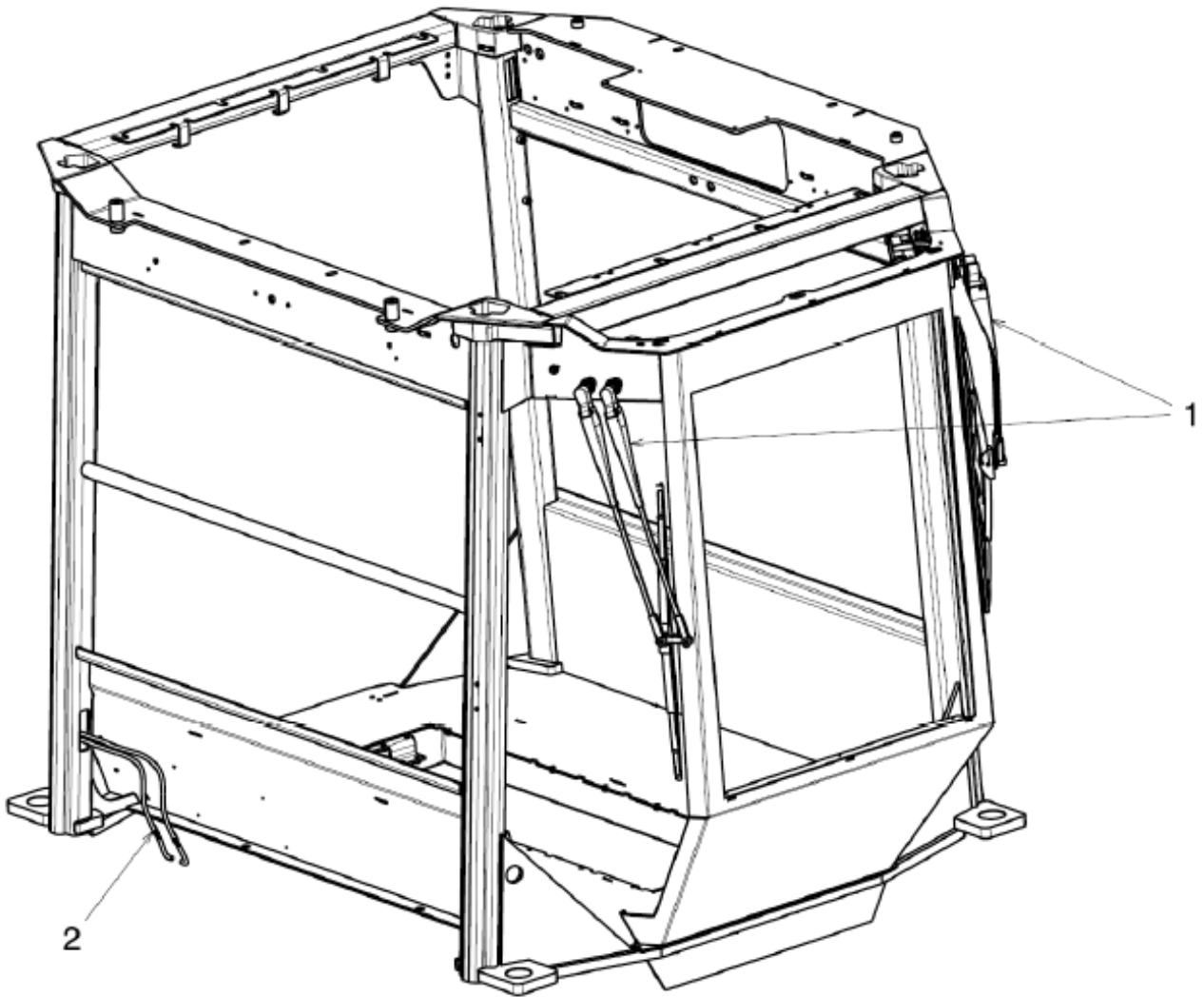
Refer to Parts Online for the most up to date information. The printed information might be outdated.

Mon Jun 01 07:24:03 MDT 2015

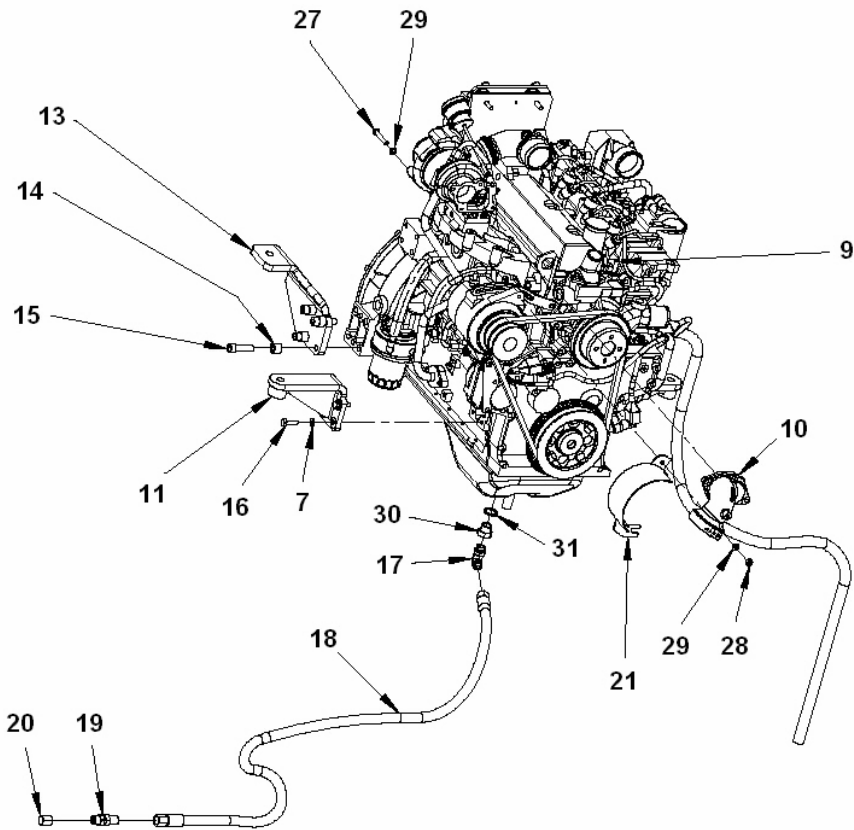
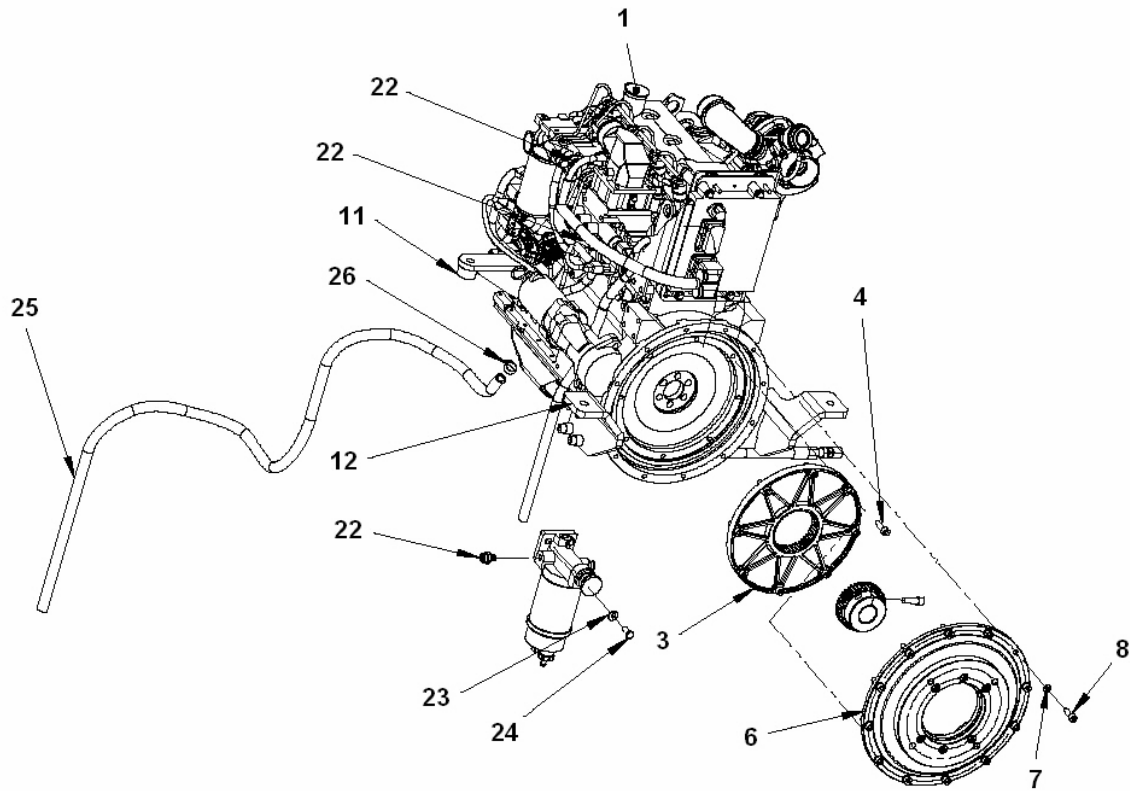
**Heater** Heater controls



**Wiper system right side** Wiper system right side



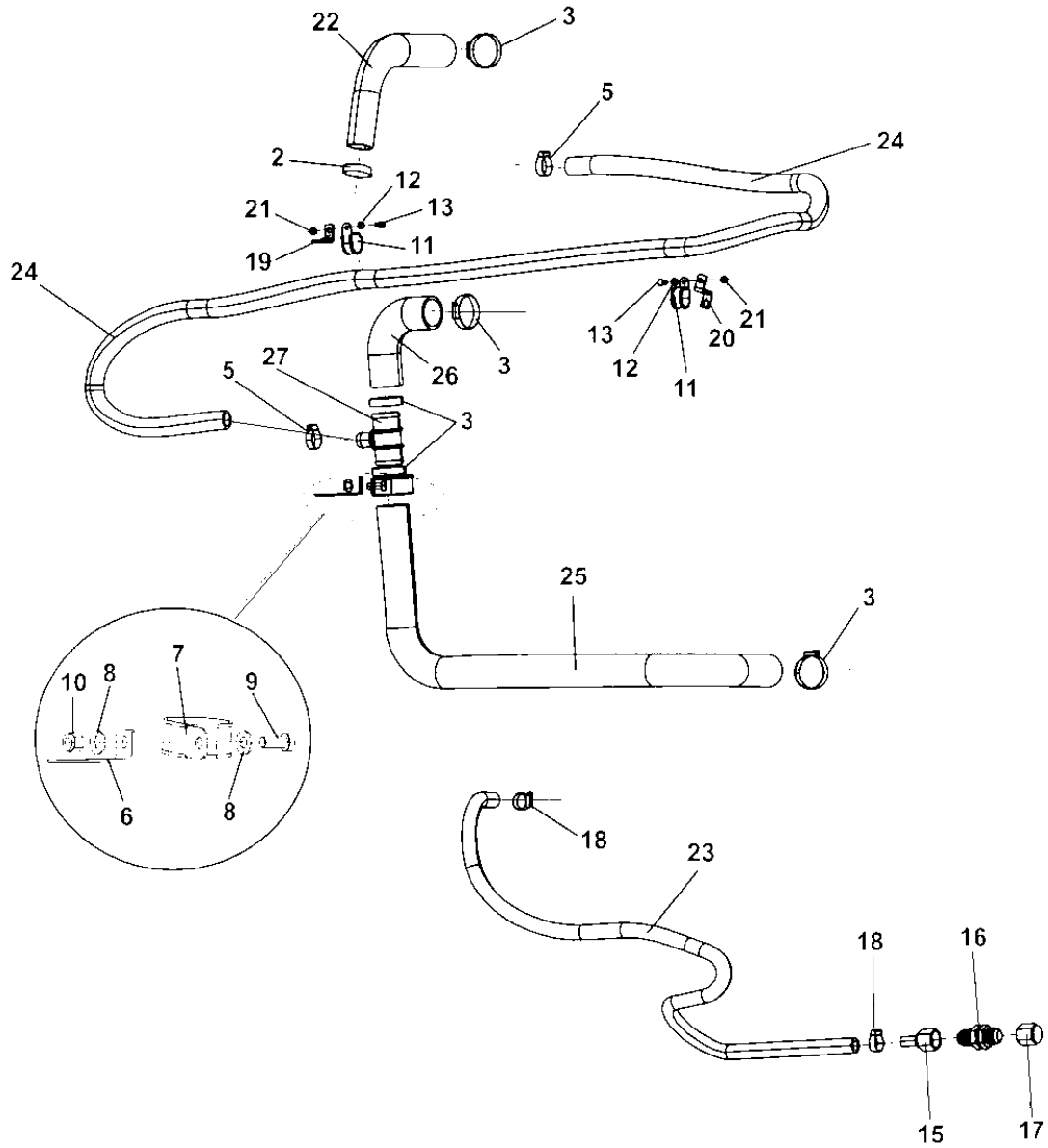
**Engine** Engine module



Refer to Parts Online for the most up to date information. The printed information might be outdated.

Mon Jun 01 07:24:10 MDT 2015

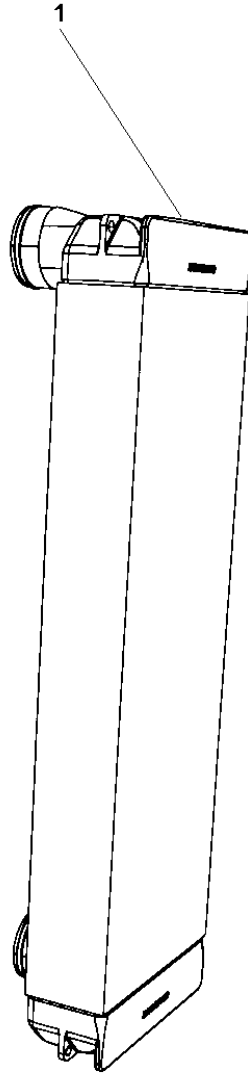
**Engine** Water cooler hoses



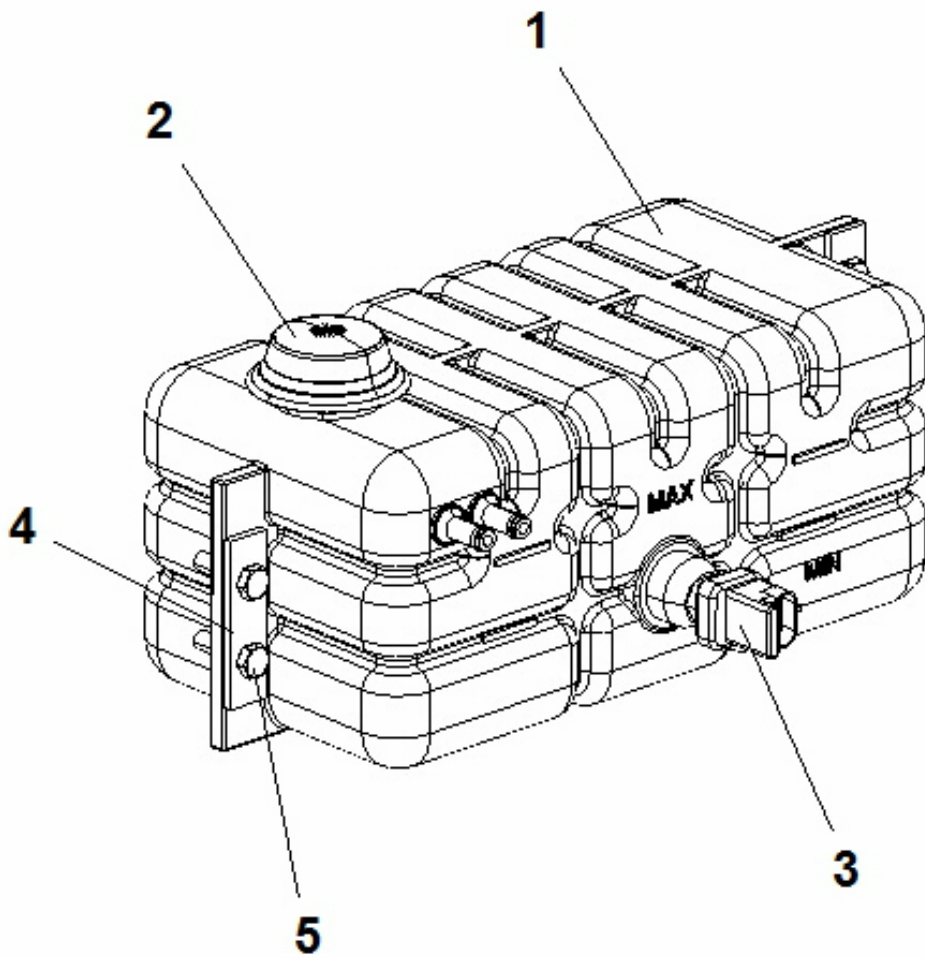
Refer to Parts Online for the most up to date information. The printed information might be outdated.

Mon Jun 01 07:24:12 MDT 2015

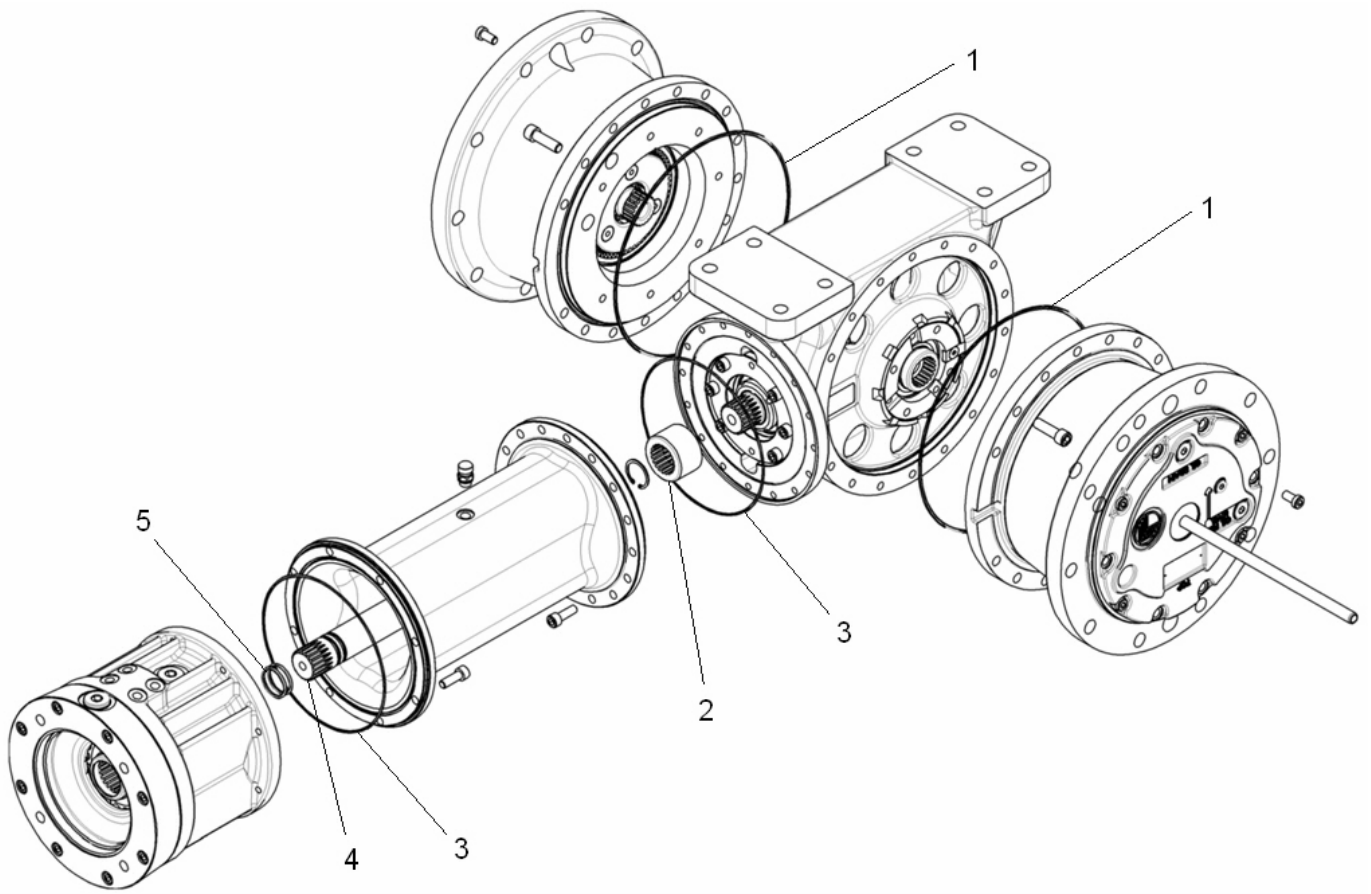
**Engine** Charge air cooler



**Engine** Expansion tank module



**Gear module** Gear module sealing kit



Refer to Parts Online for the most up to date information. The printed information might be outdated.

Mon Jun 01 07:24:19 MDT 2015

CLICK HERE TO **DOWNLOAD** THE COMPLETE MANUAL

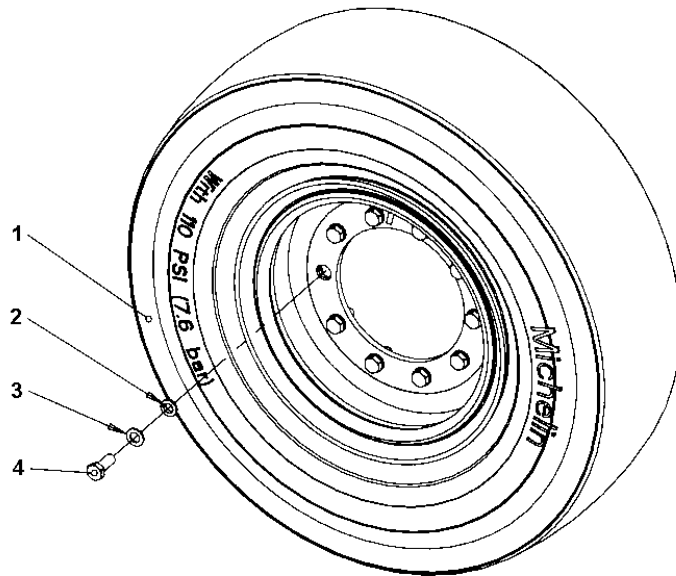
- Thank you very much for reading the preview of the manual.
- You can download the complete manual from: [www.heydownloads.com](http://www.heydownloads.com) by clicking the link below

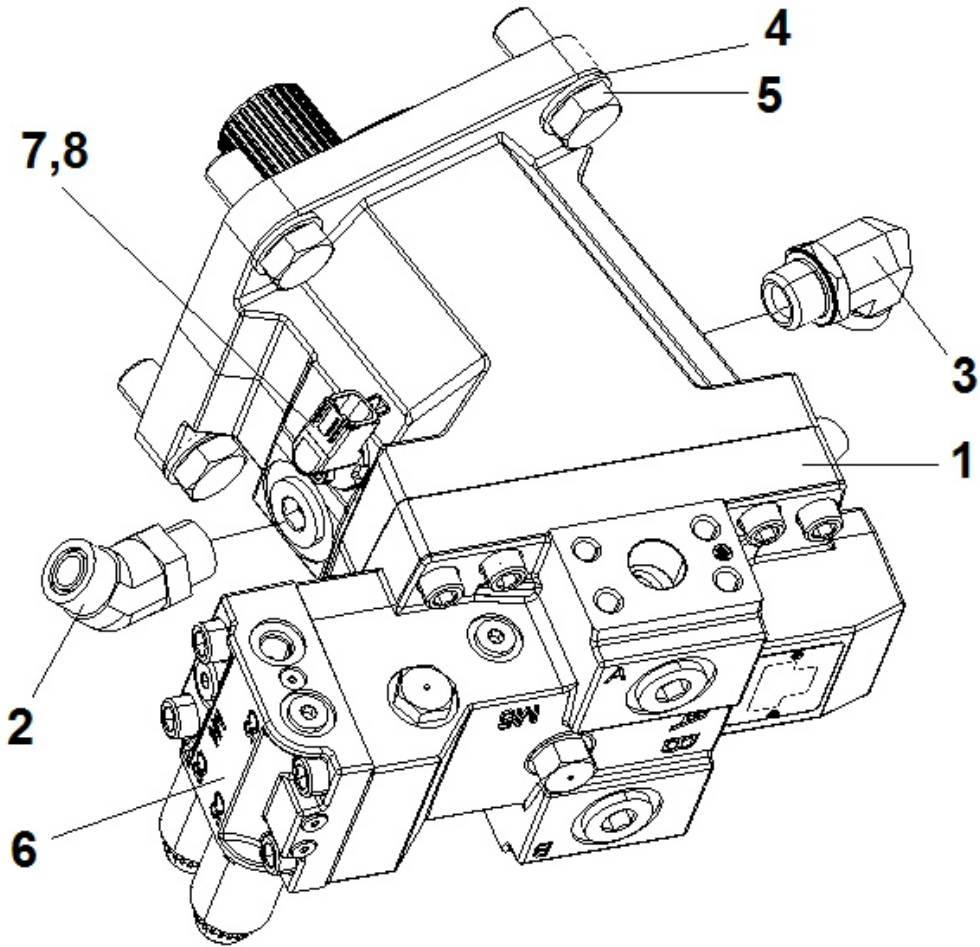


- Please note: If there is no response to CLICKING the link, please download this PDF first and then click on it.

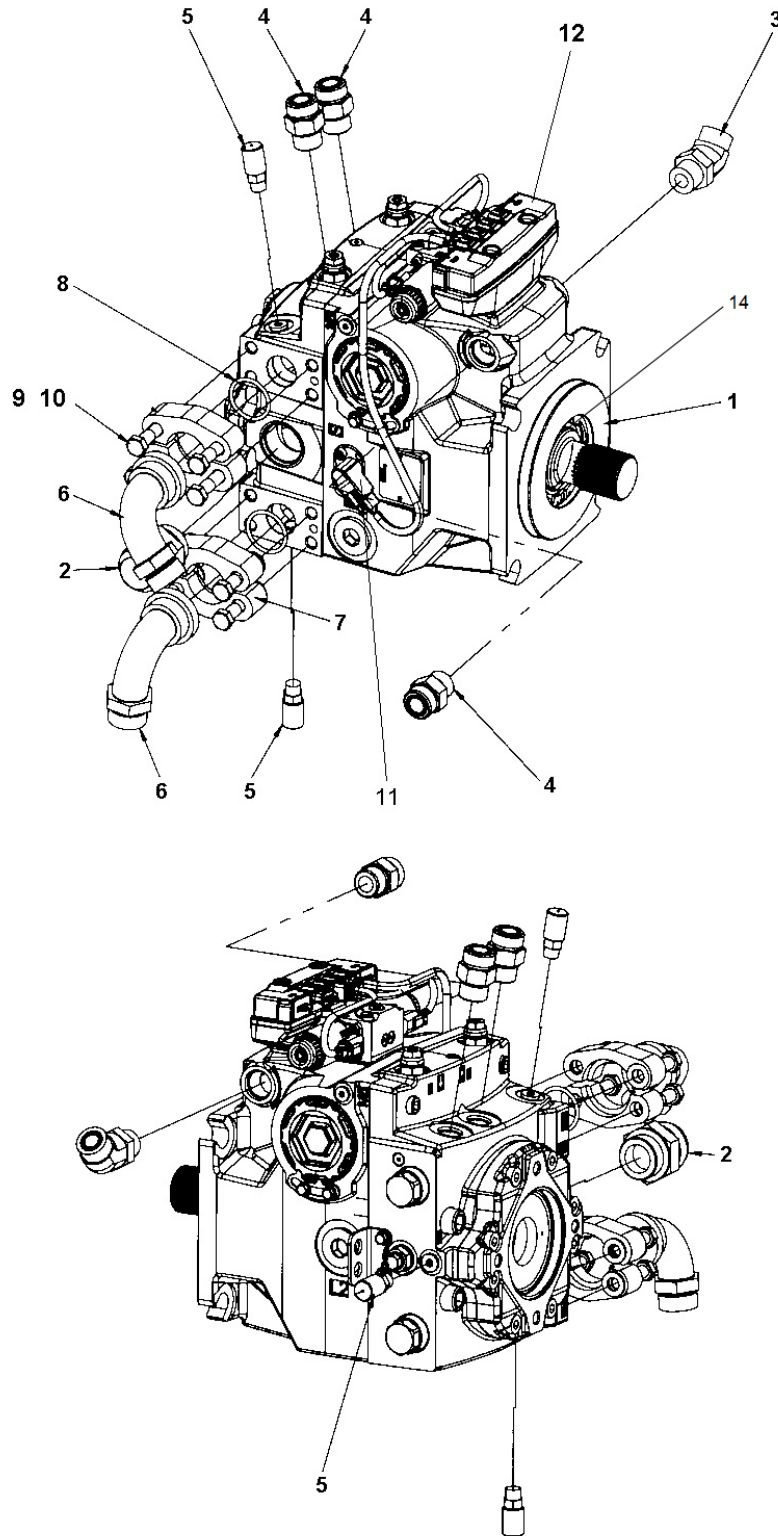
CLICK HERE TO **DOWNLOAD** THE COMPLETE MANUAL

**Wheel module, option Michelin** Wheel module, option Michelin





**Hydraulic pump module** Hydraulic pump

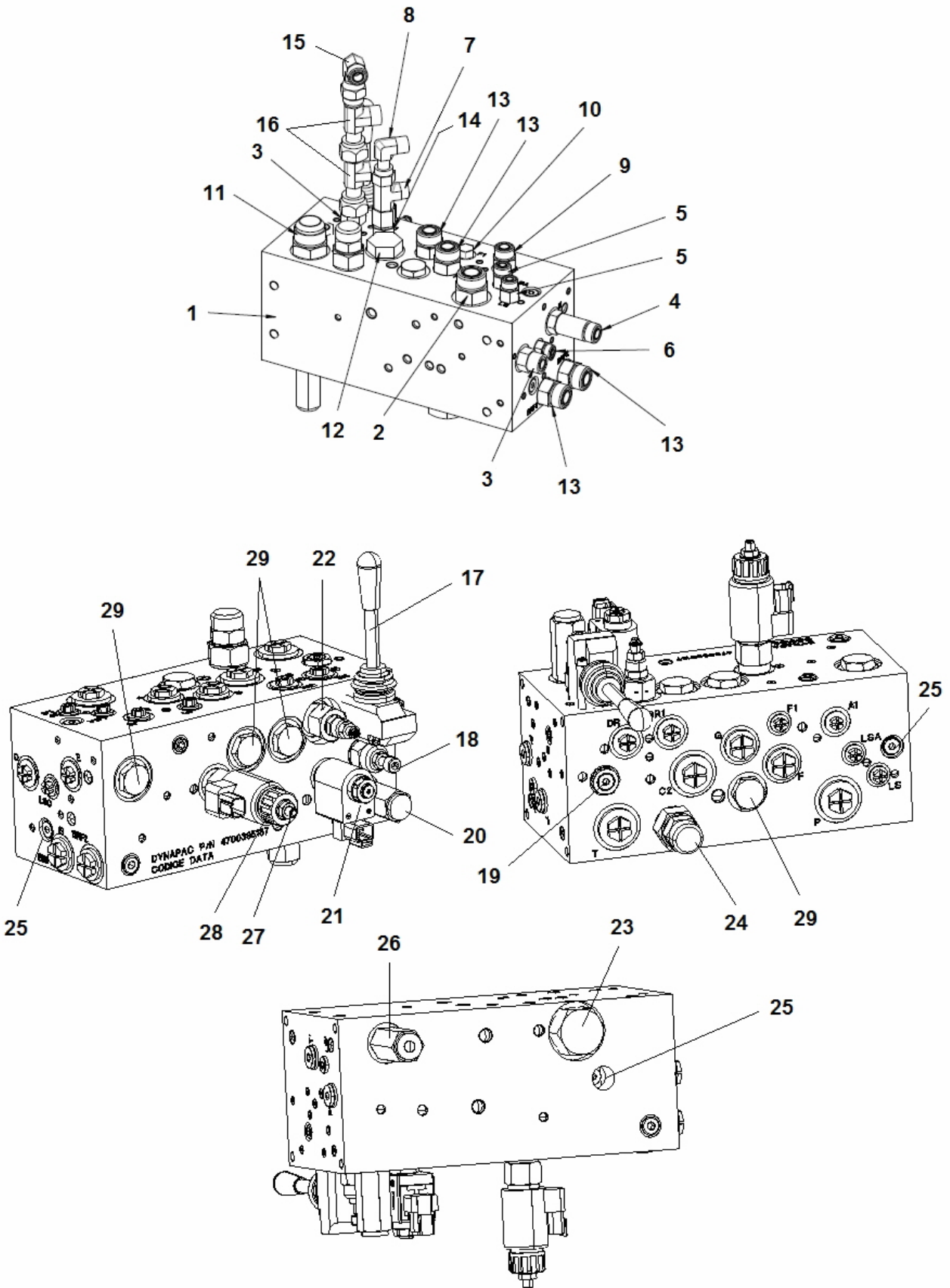


Refer to Parts Online for the most up to date information. The printed information might be outdated.

Mon Jun 01 07:24:24 MDT 2015

Item	Part No.	Name	Qty	L
38	4700482084	Hydraulic hose	1	
39	4700482228	Hydraulic hose	1	

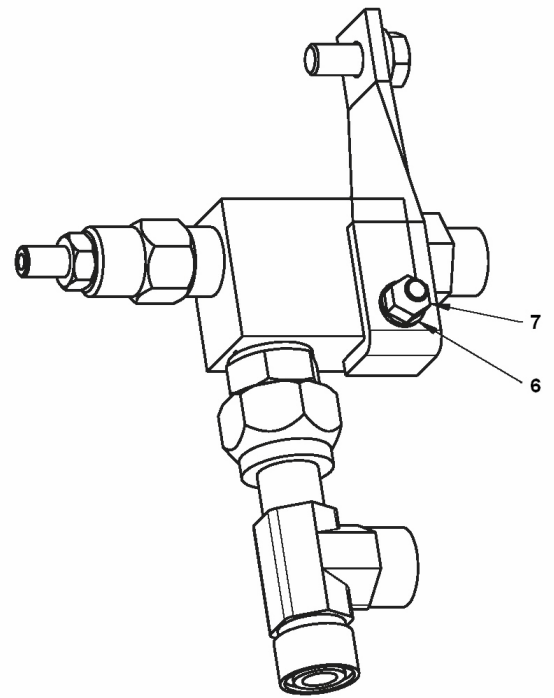
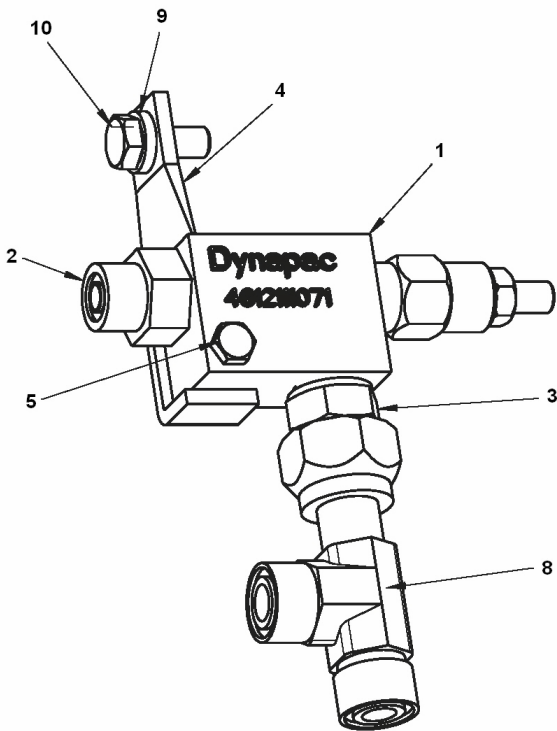
**Hydraulic valve module** Hydraulic valve



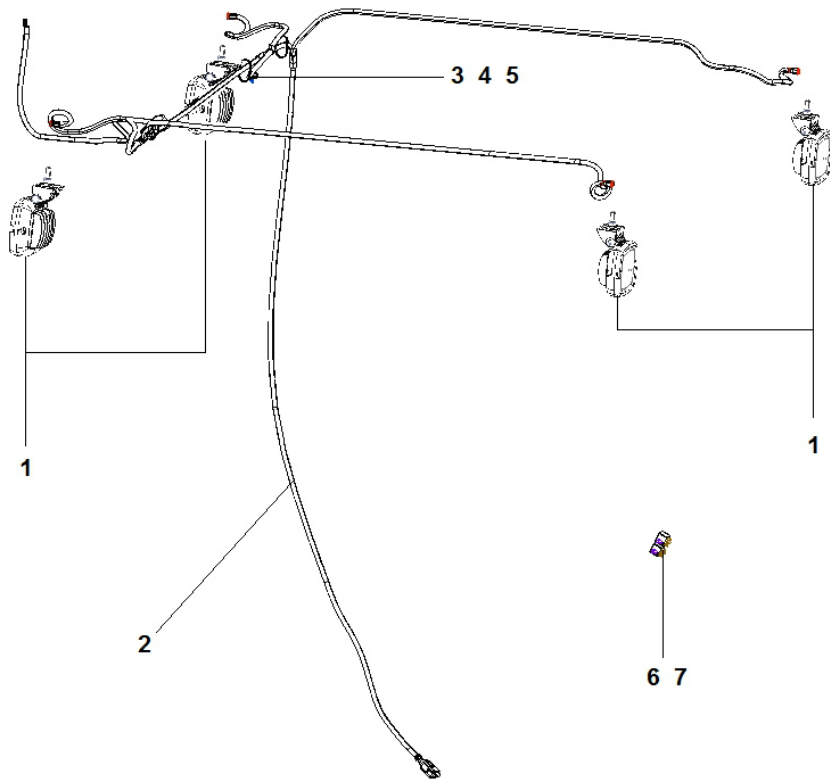
Refer to Parts Online for the most up to date information. The printed information might be outdated.

Mon Jun 01 07:24:30 MDT 2015

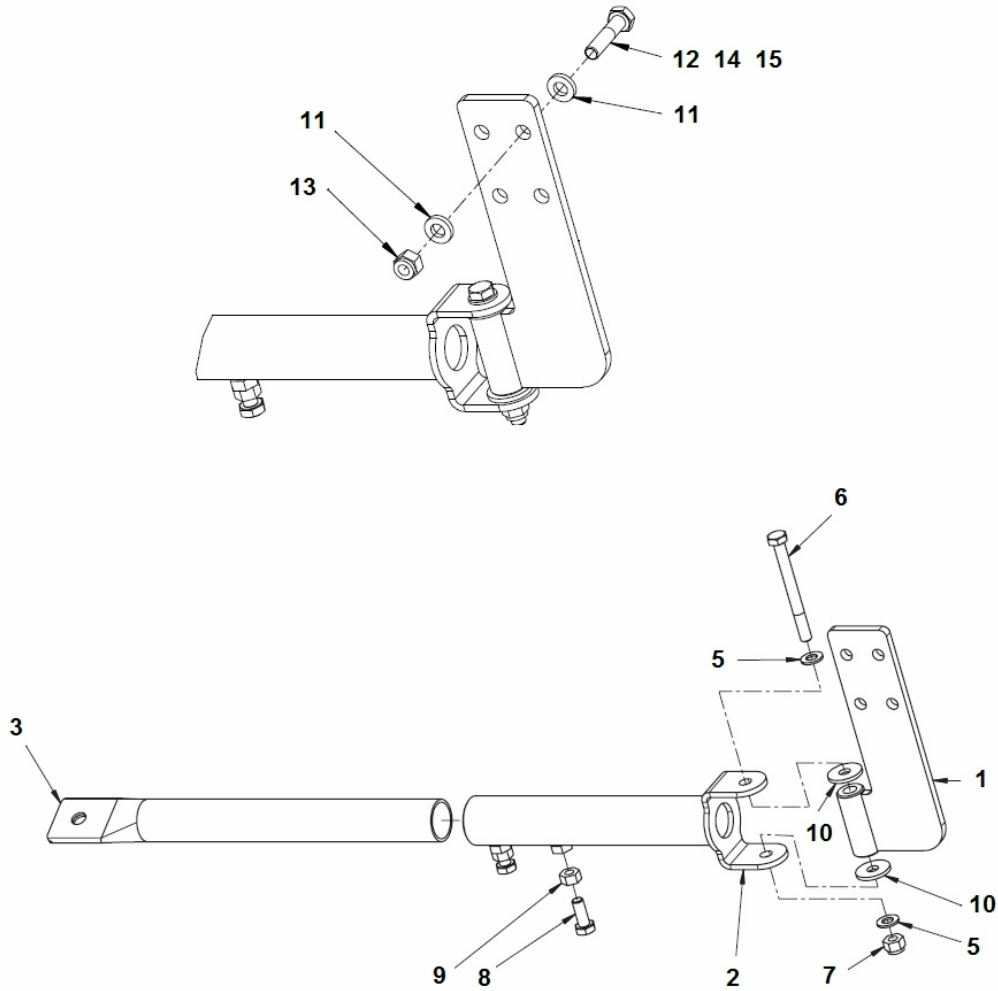
**481211106 Reducing valve** 481211106 Reducing valve



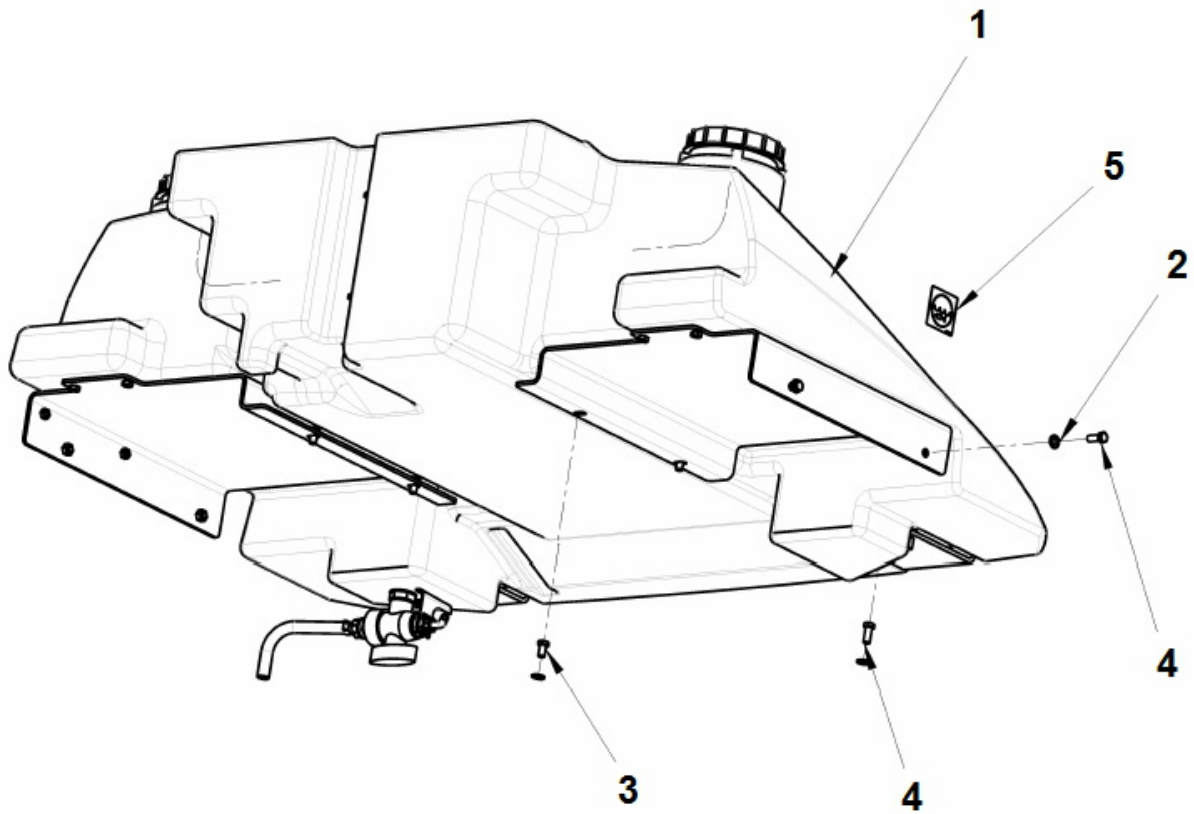
**Electric system** Working lights LED



**Night worklight LED** Bracket module



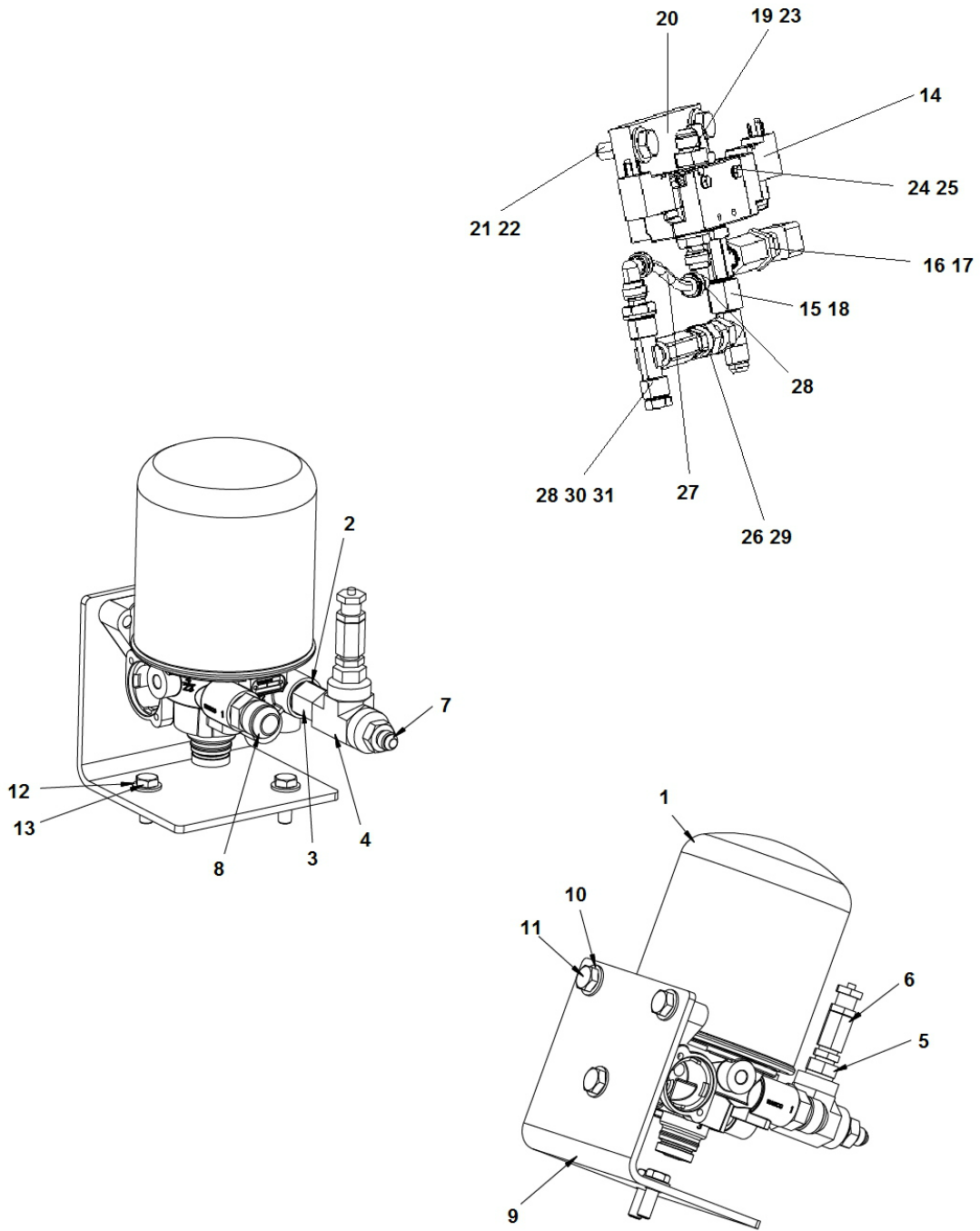
**Sprinkler tank module** Sprinkler tank module



Refer to Parts Online for the most up to date information. The printed information might be outdated.

Mon Jun 01 07:24:38 MDT 2015

**Air on the run** Air dryer kit



Refer to Parts Online for the most up to date information. The printed information might be outdated.

Mon Jun 01 07:24:42 MDT 2015

A | en\_US | L = 2,85 m

B | en\_US | L = 1,8 m

C | en\_US | L = 0,14 m

D | en\_US | L = 0,6 m

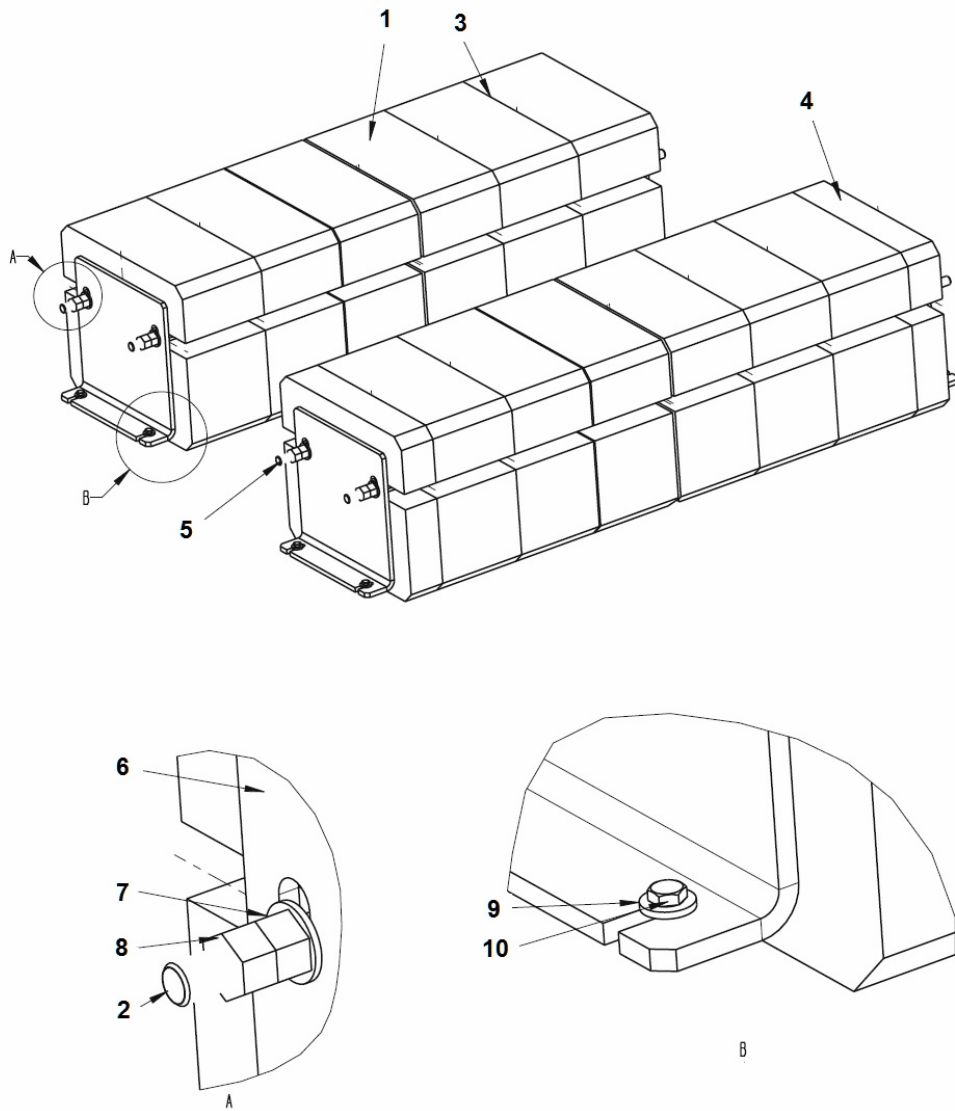
E | en\_US | L = 0,73 m

F | en\_US | L = 1,12 m

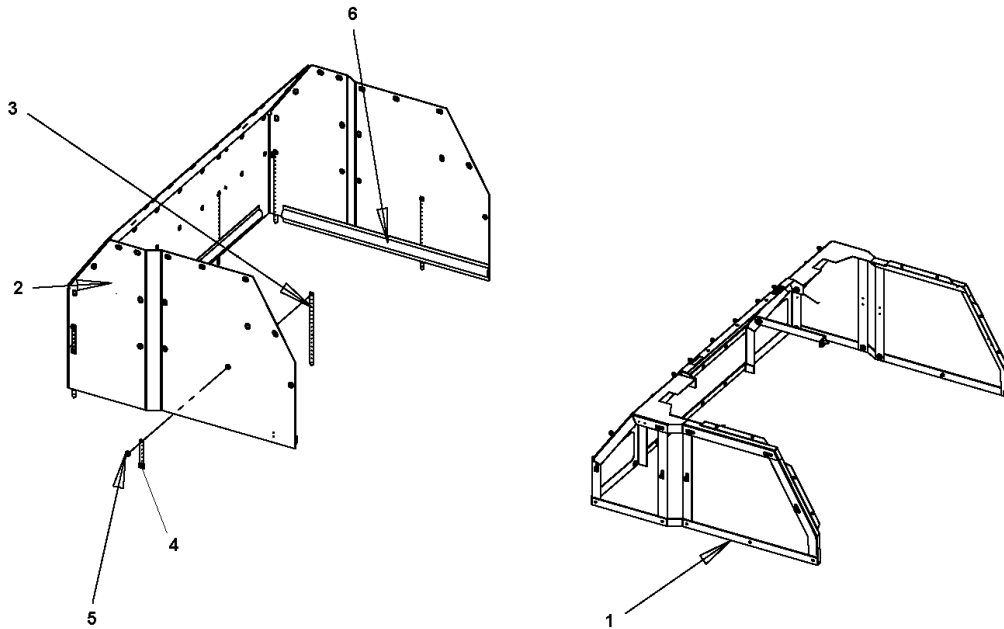
G | en\_US | L = 1,06 m

H | en\_US | L = 0,25 m

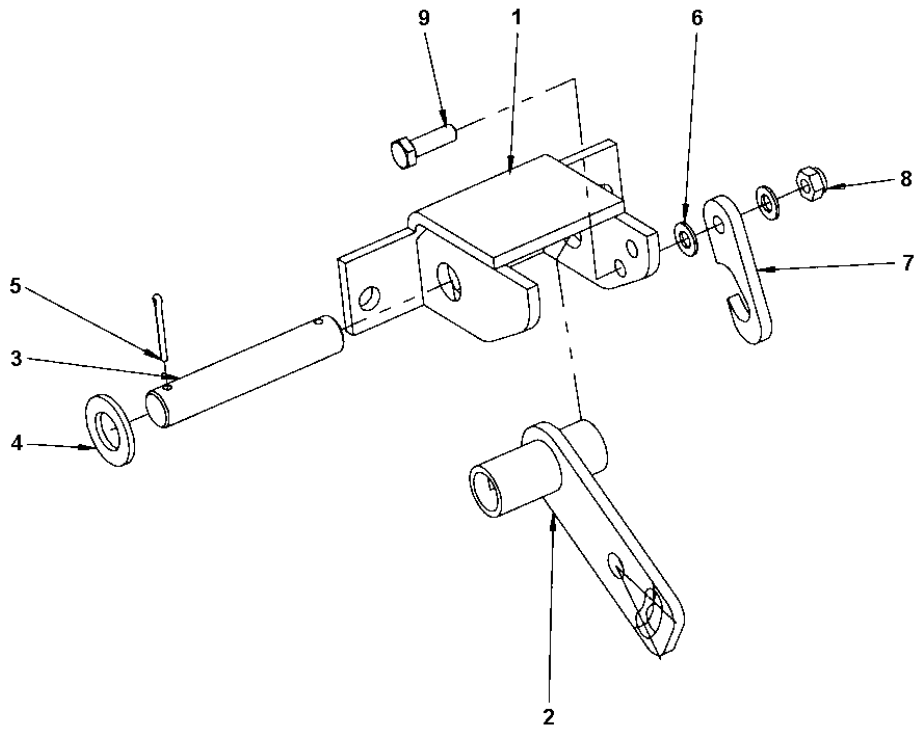
**Ballast module** Steel ballast 13 plates



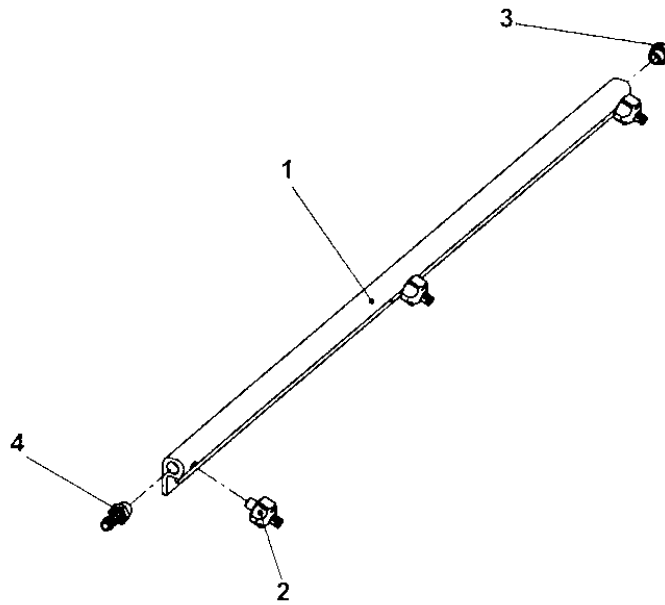
**Protective cover module, rear** Rear apron



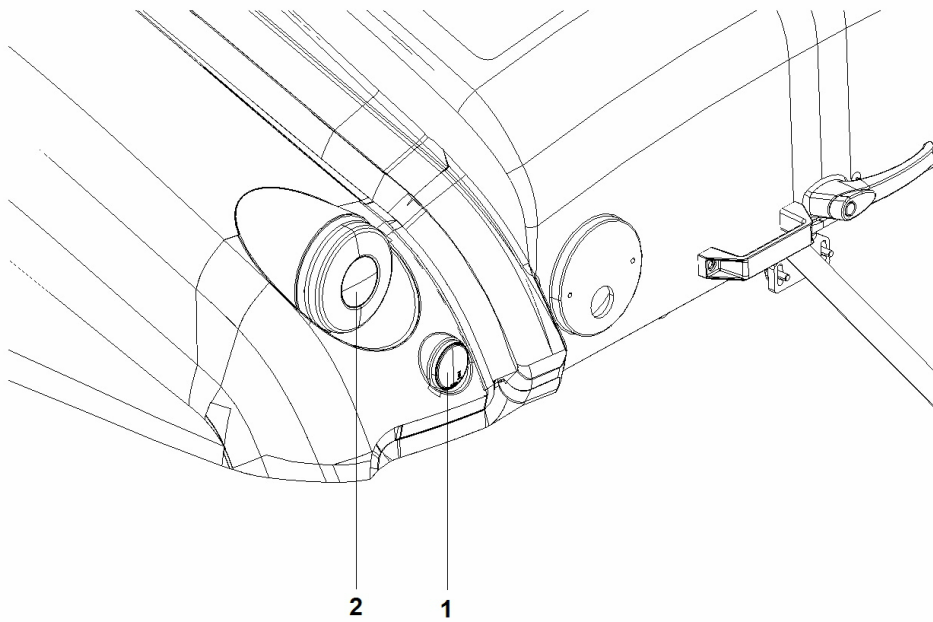
**Cocoa mats** Bracket



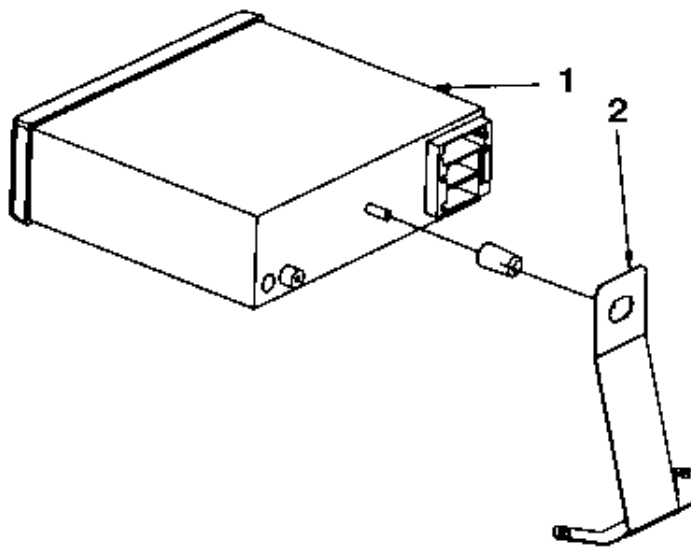
**Cocoa mats** Sprinkler pipe



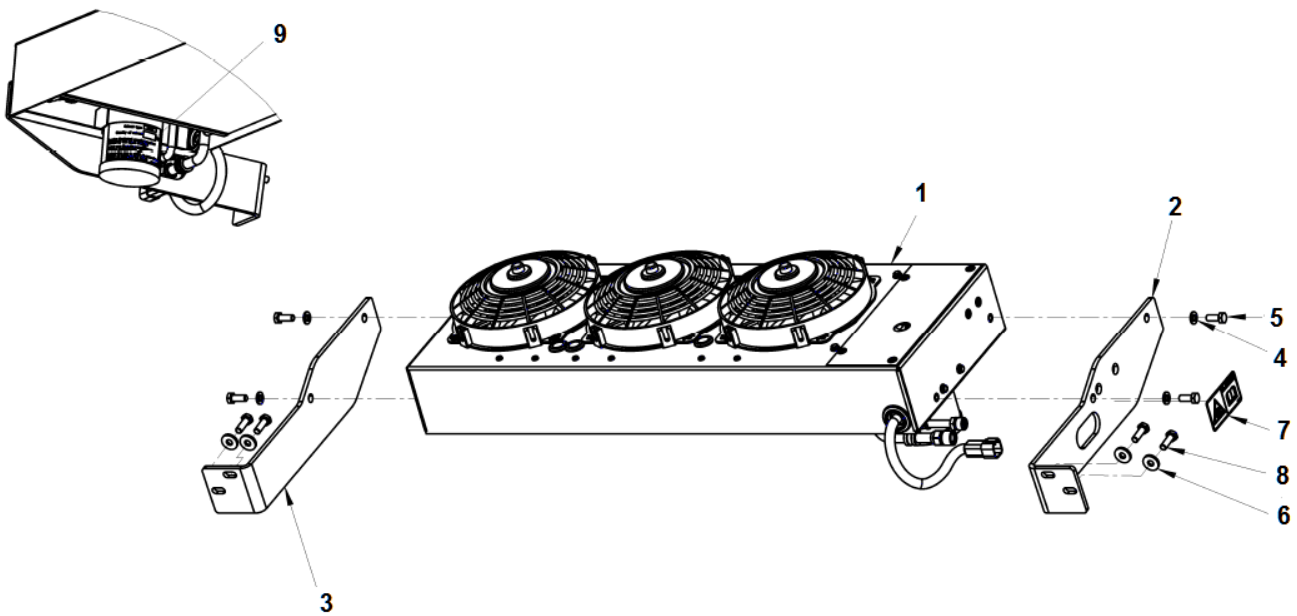
**Driving lights RH** Driving lights module rear



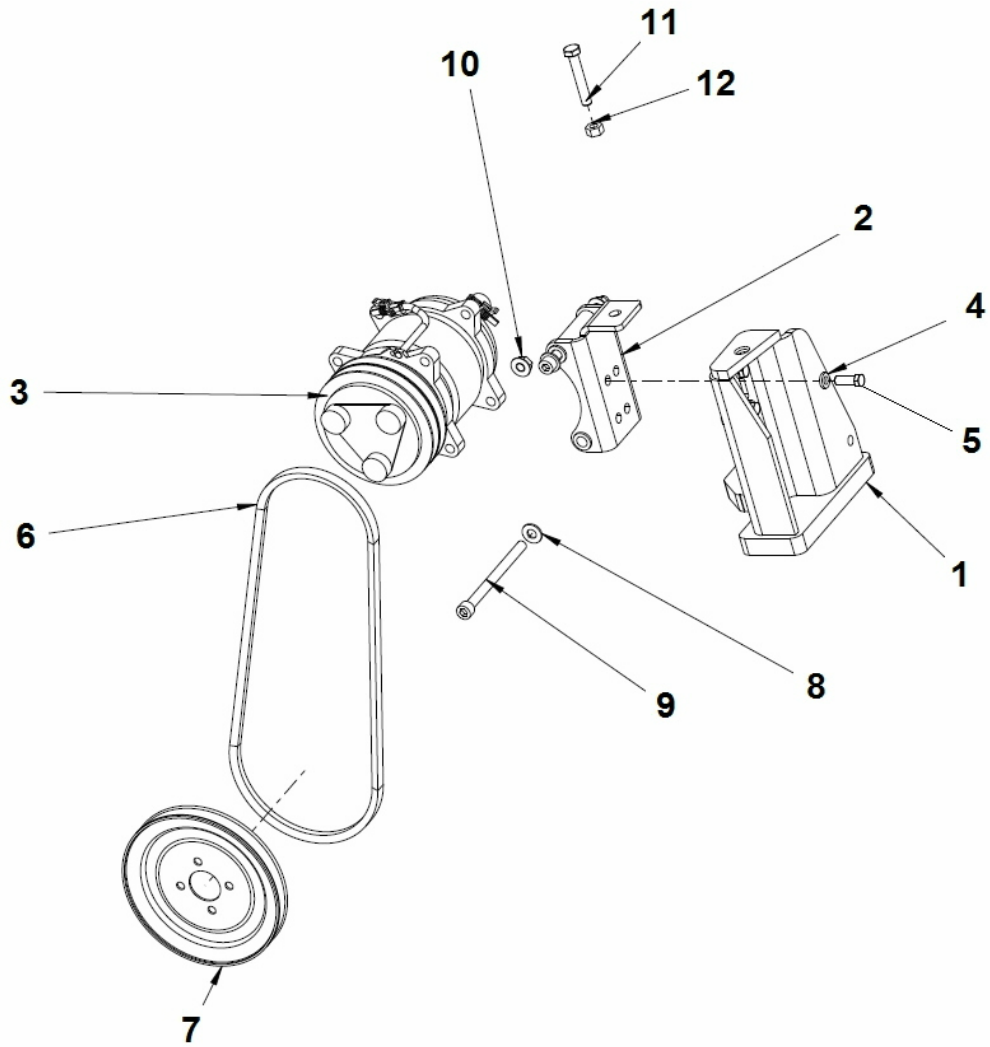
**Radio and CD Player** Radio and cd player module



**Standard AC** Condensor module



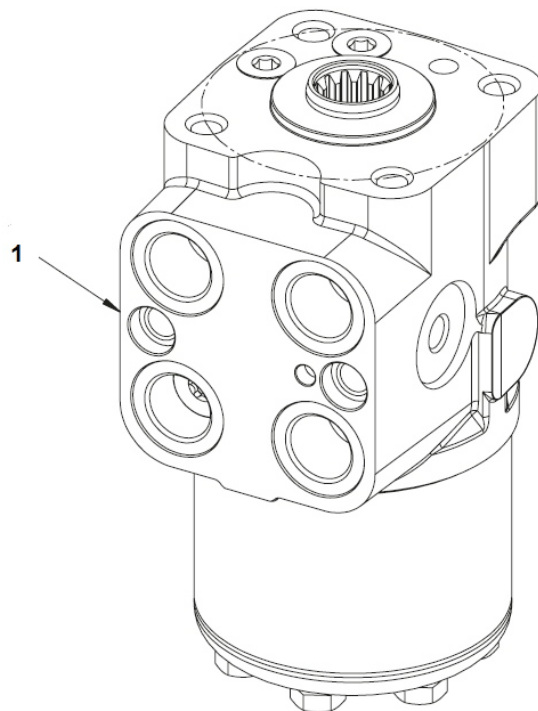
**Standard AC** Compressor assy



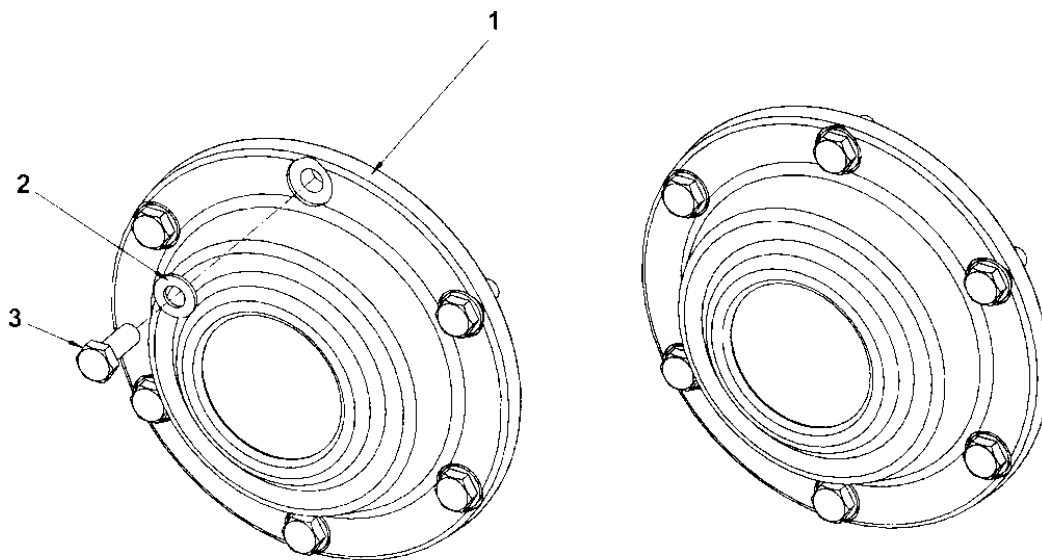
Refer to Parts Online for the most up to date information. The printed information might be outdated.

Mon Jun 01 07:24:55 MDT 2015

**Steering valve** Steering valve



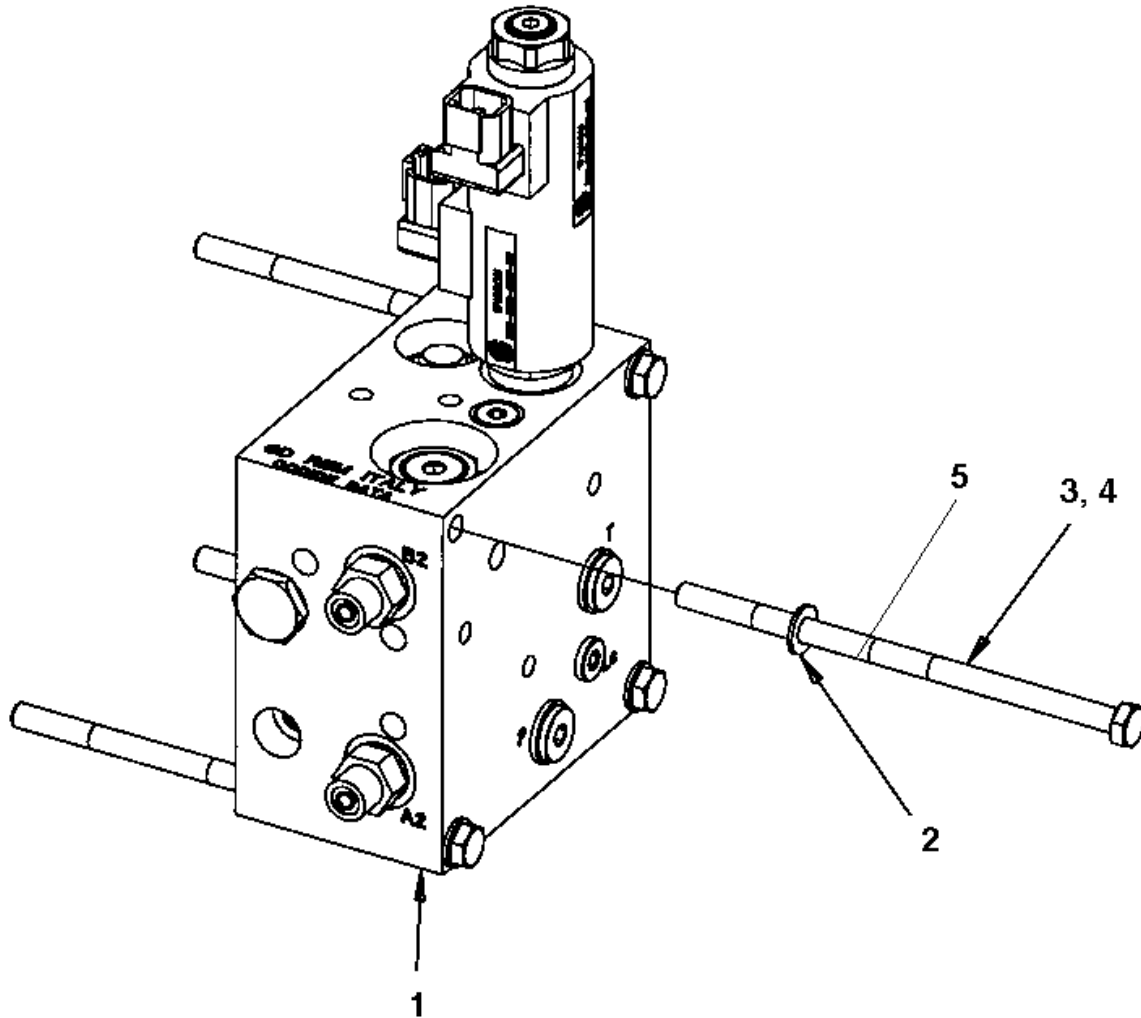
**Cover module** Cover module



A | en\_US | Length as required.

B | en\_US | L= 0.3 m

**Hydraulic valve module** Hydraulic valve module



Refer to Parts Online for the most up to date information. The printed information might be outdated.

Mon Jun 01 07:25:02 MDT 2015

CLICK HERE TO **DOWNLOAD** THE COMPLETE MANUAL

- Thank you very much for reading the preview of the manual.
- You can download the complete manual from: [www.heydownloads.com](http://www.heydownloads.com) by clicking the link below



- Please note: If there is no response to CLICKING the link, please download this PDF first and then click on it.

CLICK HERE TO **DOWNLOAD** THE COMPLETE MANUAL